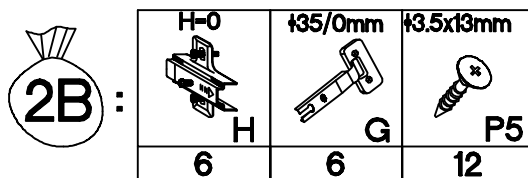
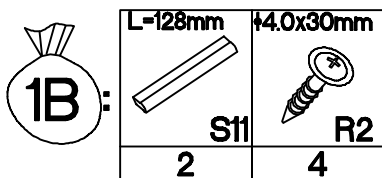
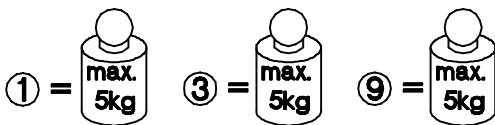
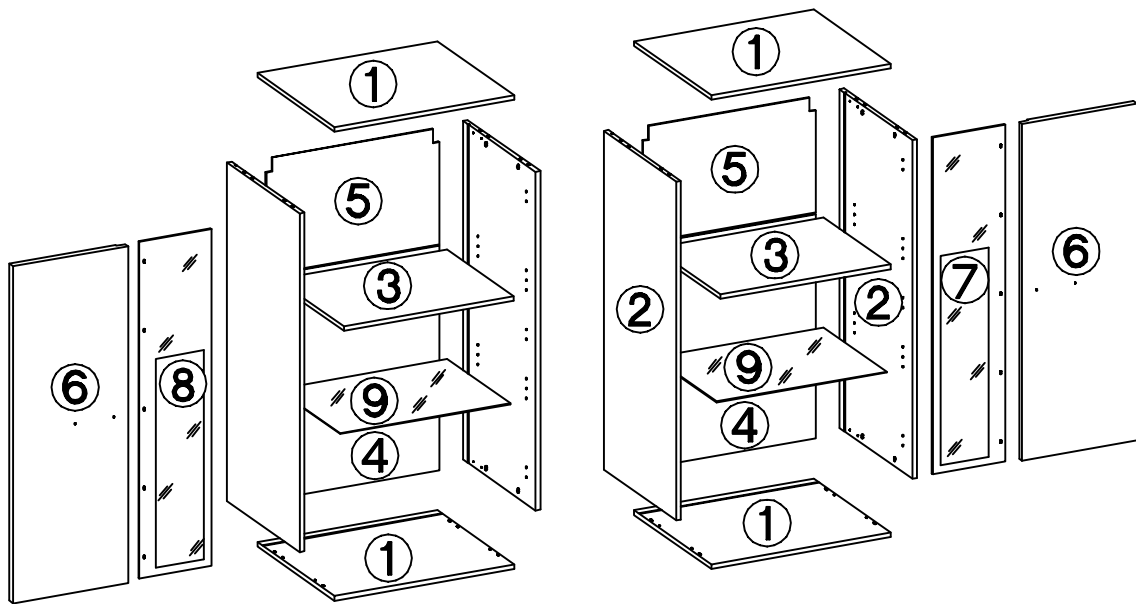
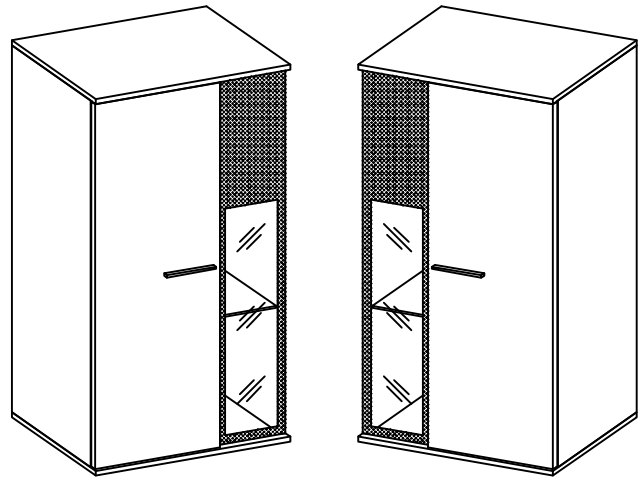


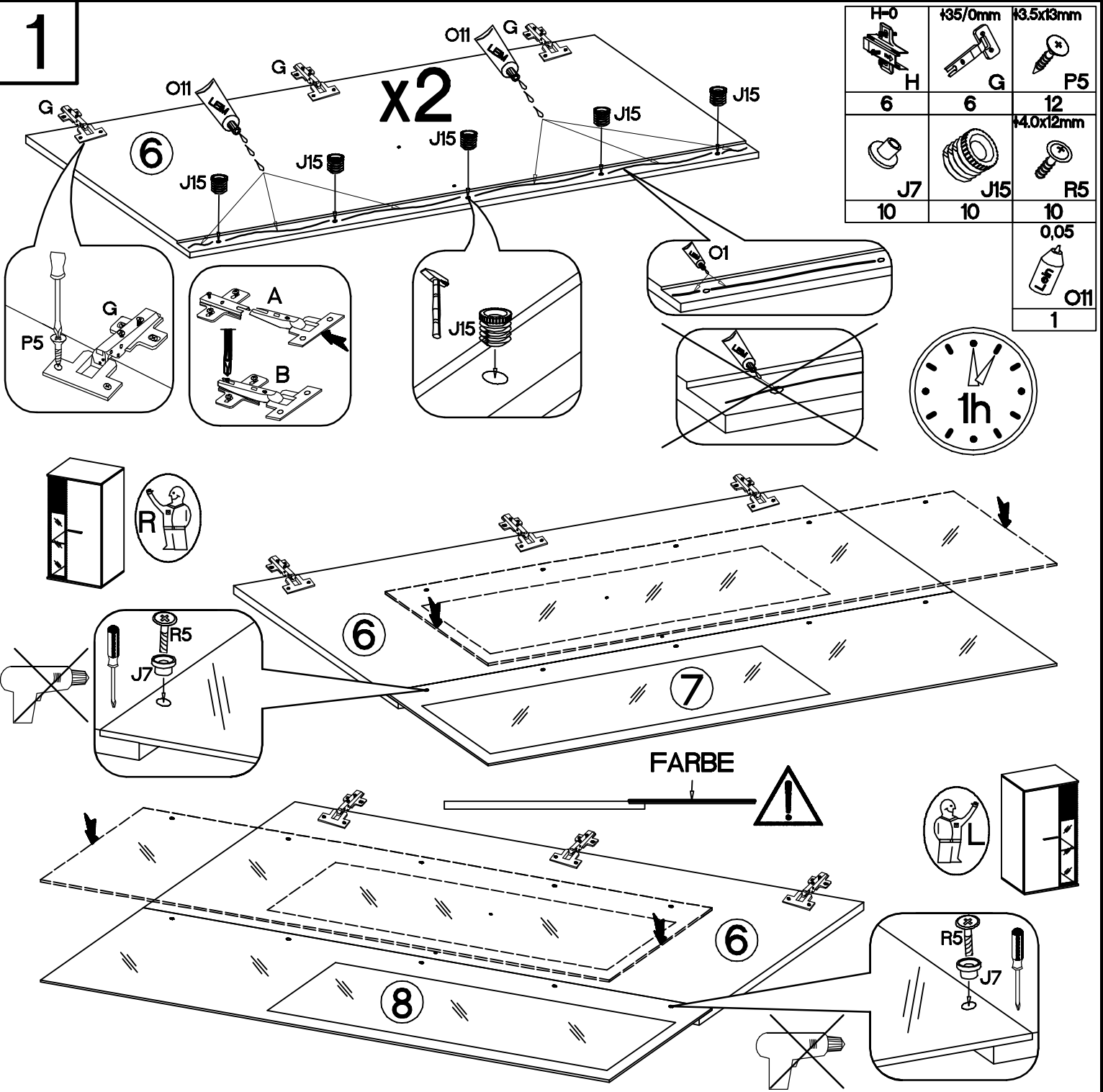
# SALSA

## Typ 531

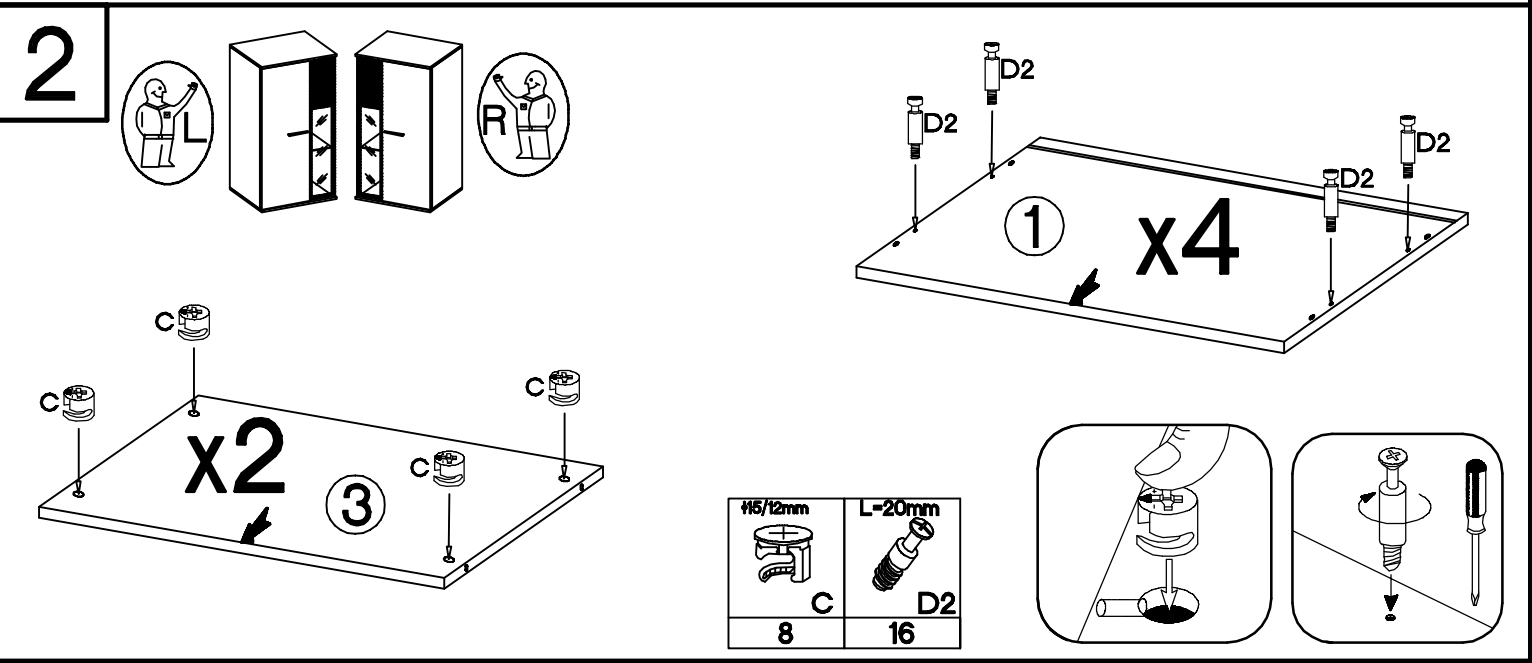


	 L=128mm C 24	 4.0x30mm A 16	 L=20mm D2 24	 0,05 O11 1	 J7 10	 J15 10	 4.0x12mm R5 10	 K 4	 4.0x30mm P8 8	 L 12
	 3.0x20mm P7 8	 L2 8	 15/16mm J12 8	 E 24	 5.0x60mm P12 8	 10x50mm O7 8	 K16 4	 J5 4		

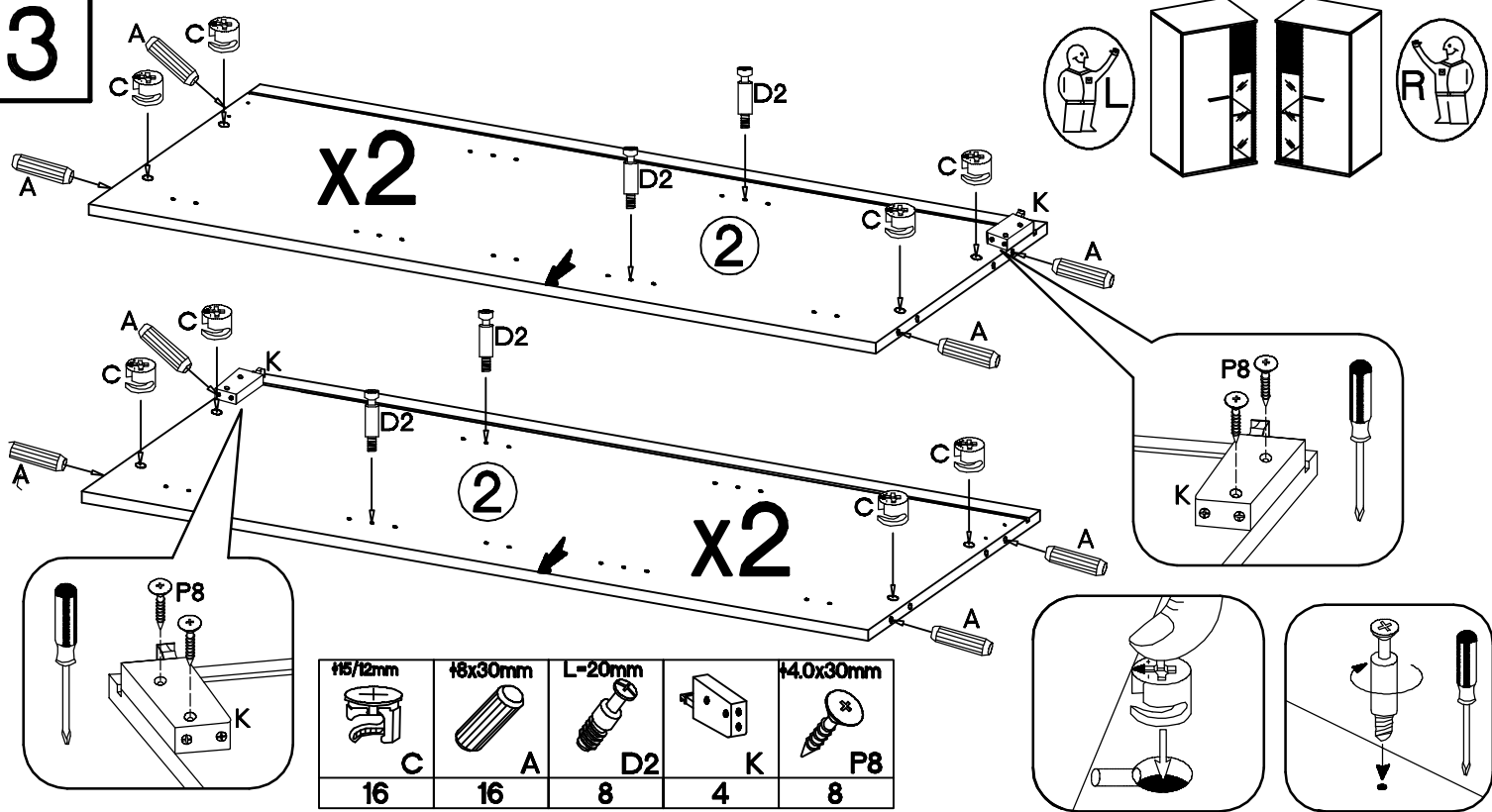
1



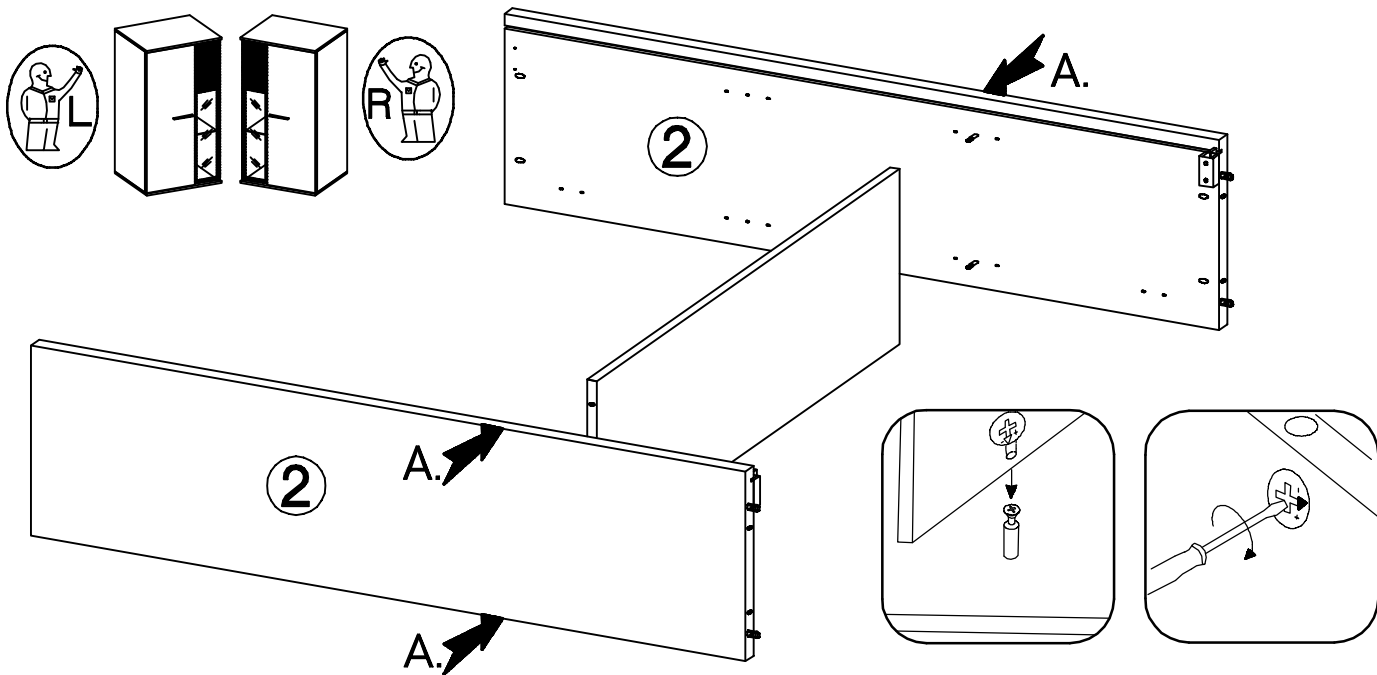
2



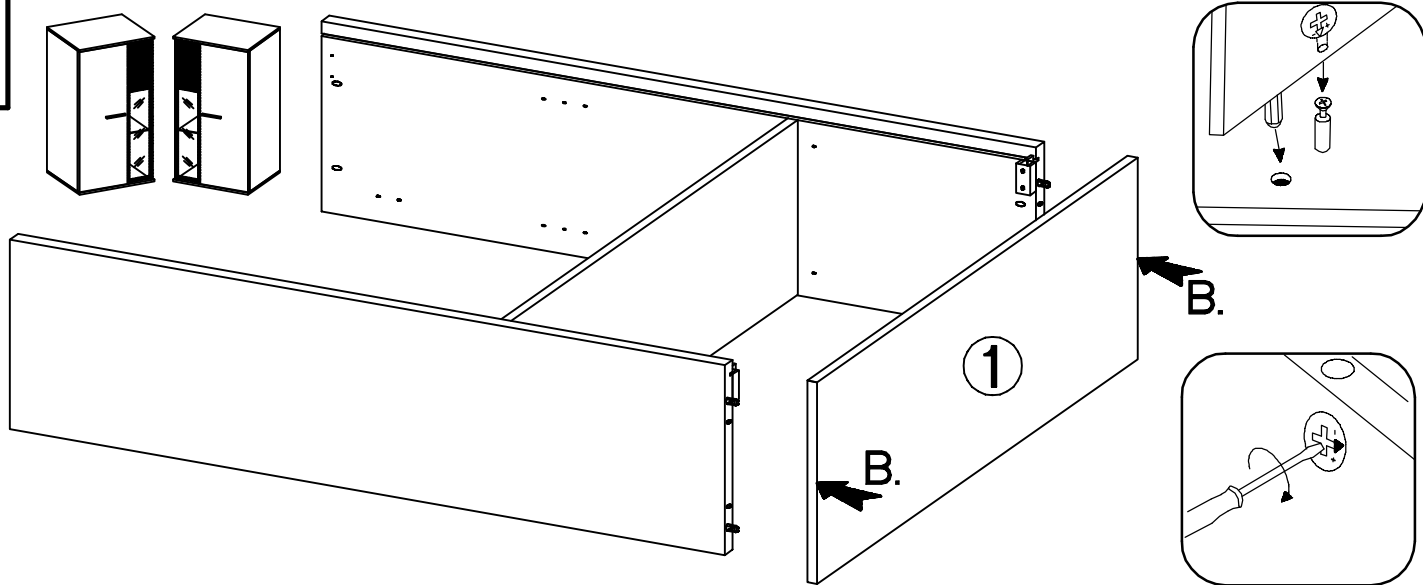
# 3



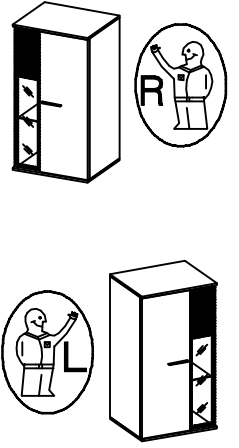
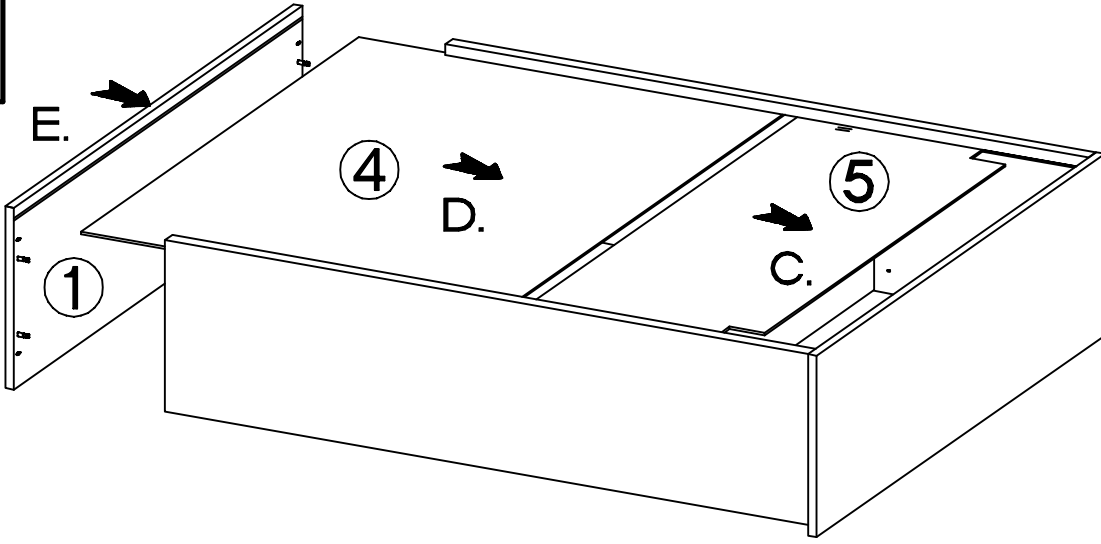
# 4



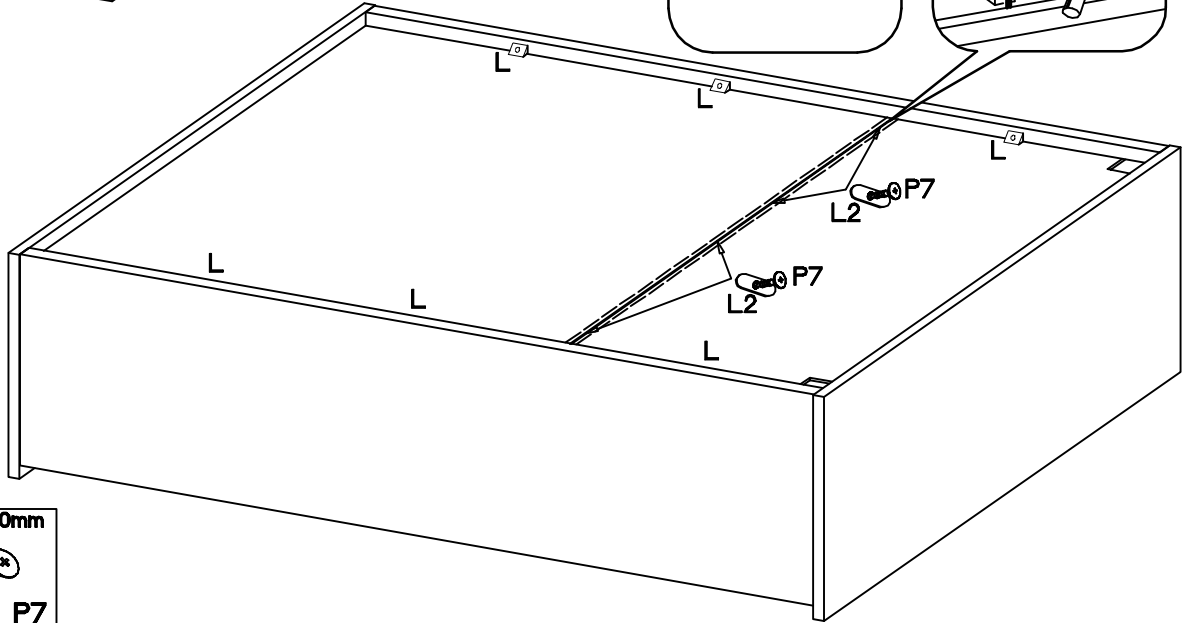
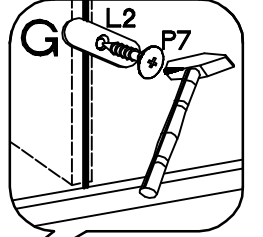
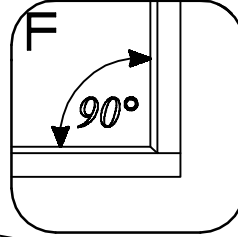
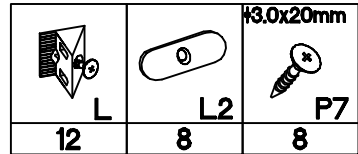
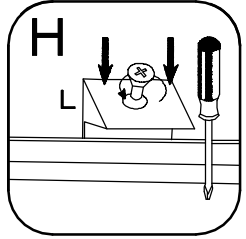
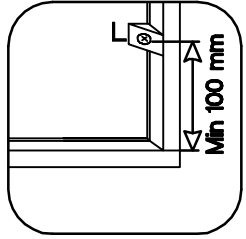
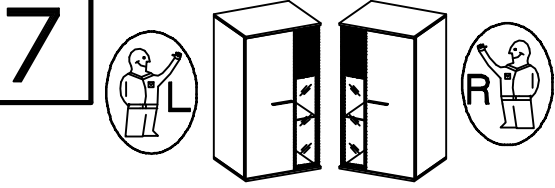
# 5



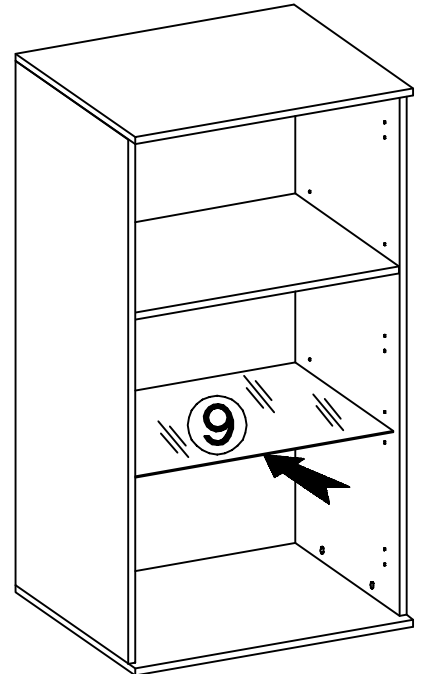
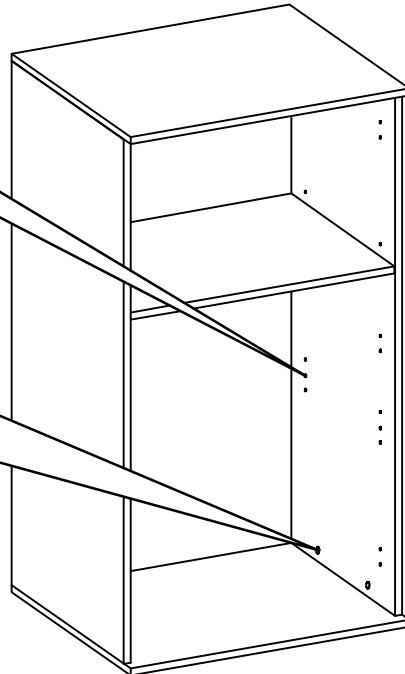
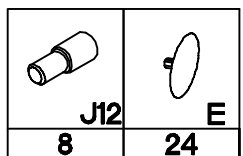
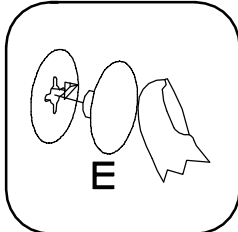
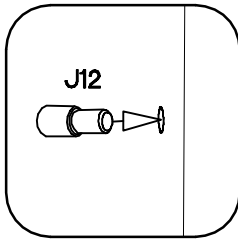
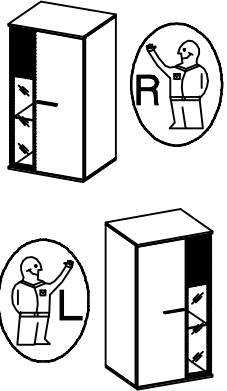
# 6



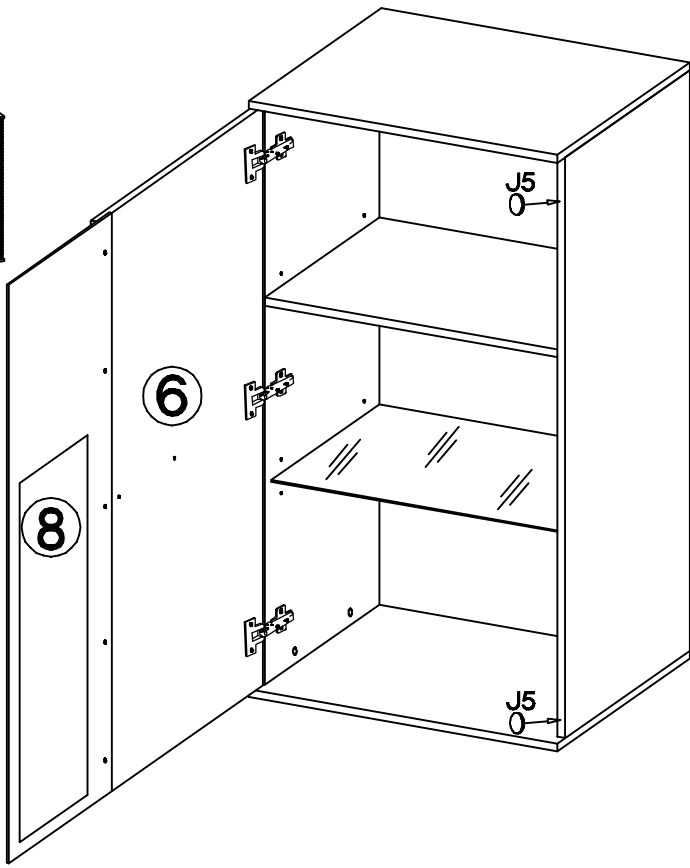
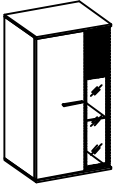
# 7



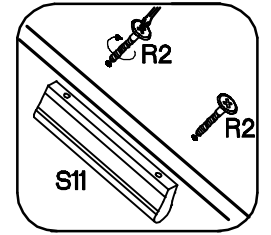
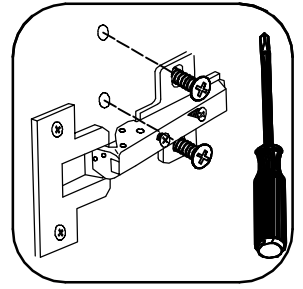
# 8



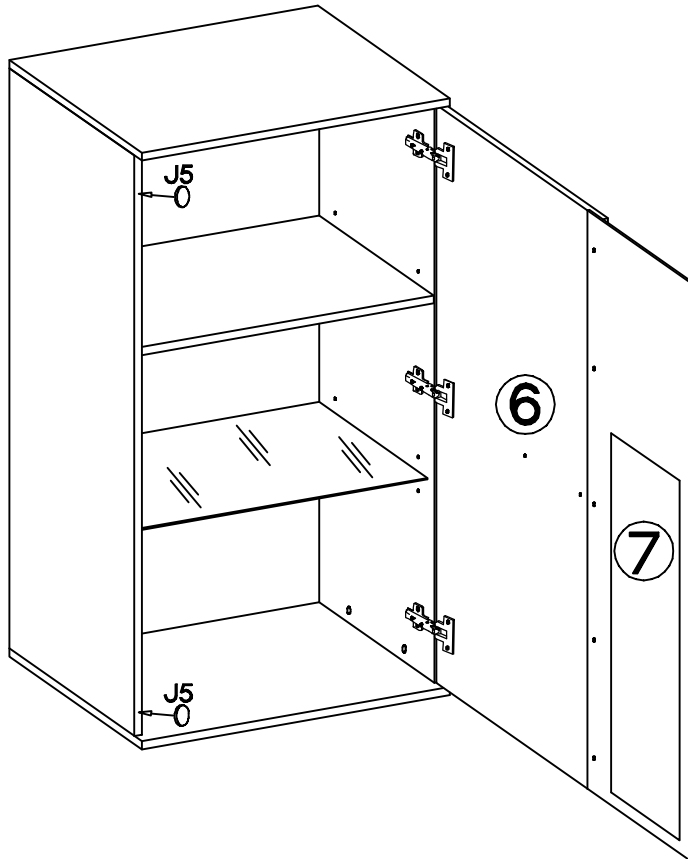
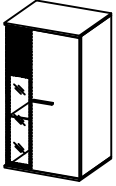
9



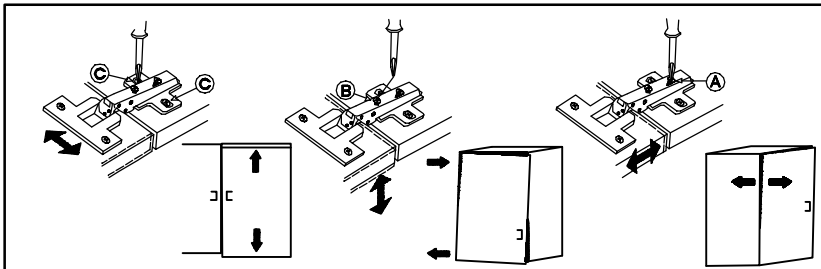
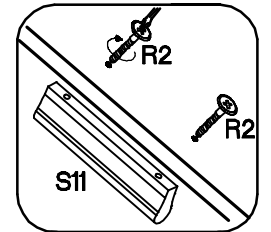
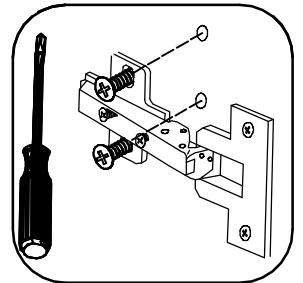
	4.0x30mm	L-128mm
J5	R2	S11
2	2	1



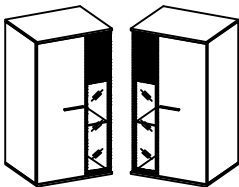
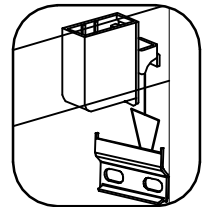
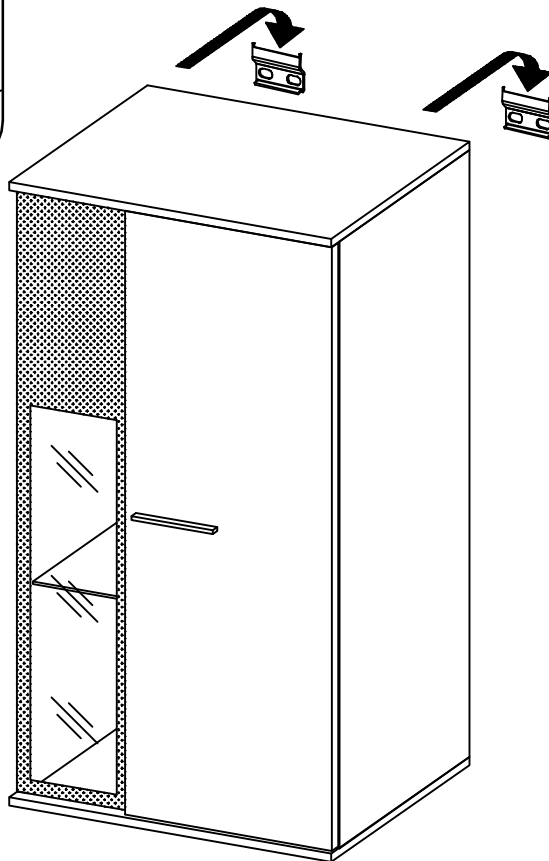
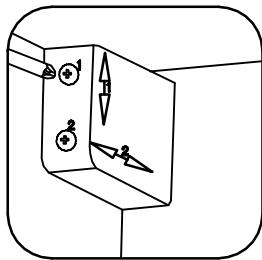
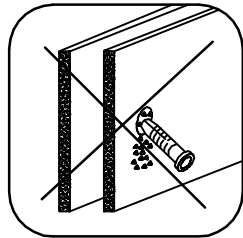
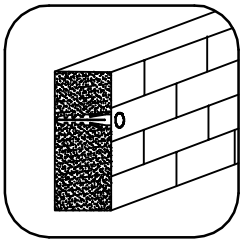
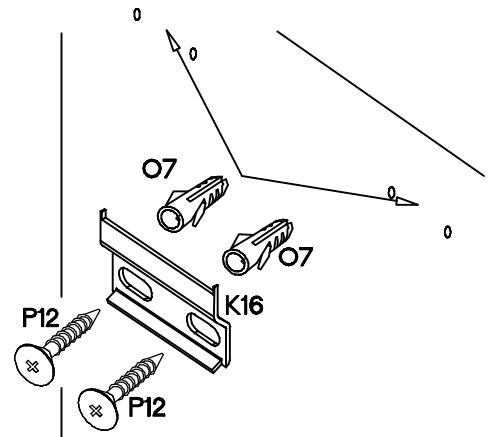
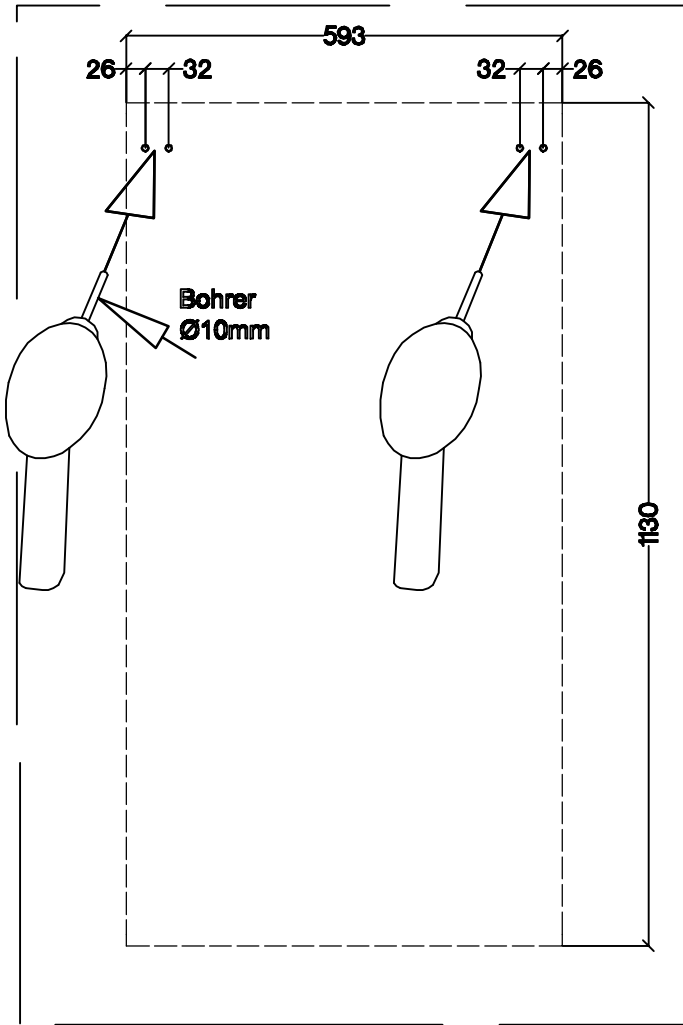
10



	4.0x30mm	L-128mm
J5	R2	S11
2	2	1

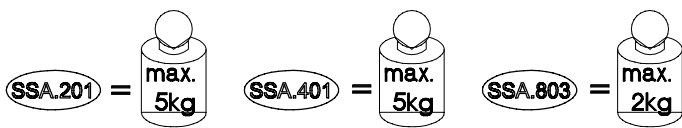
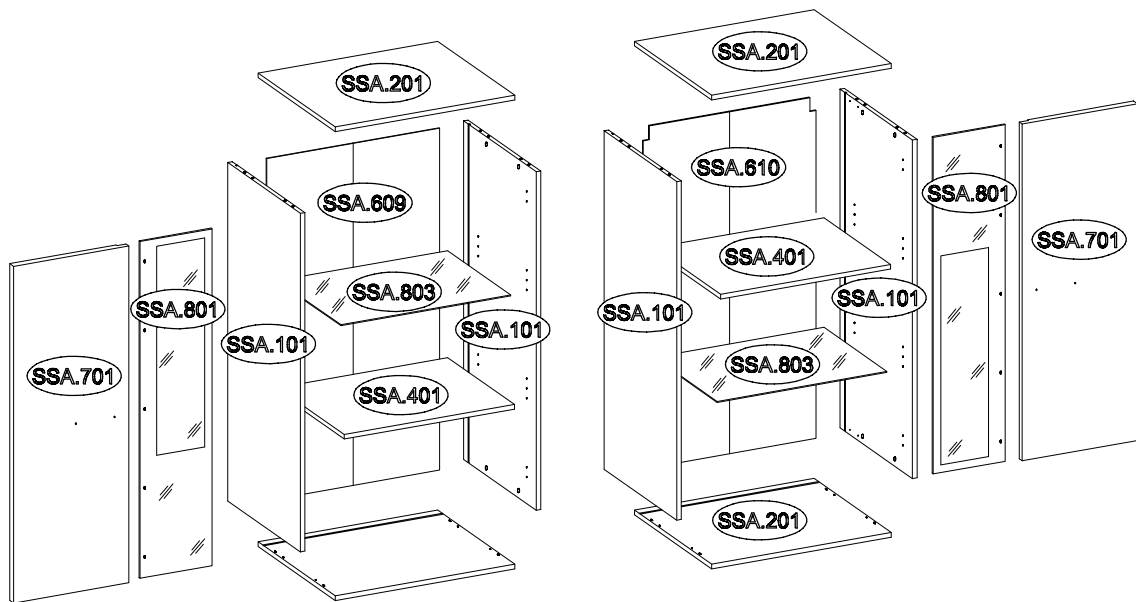
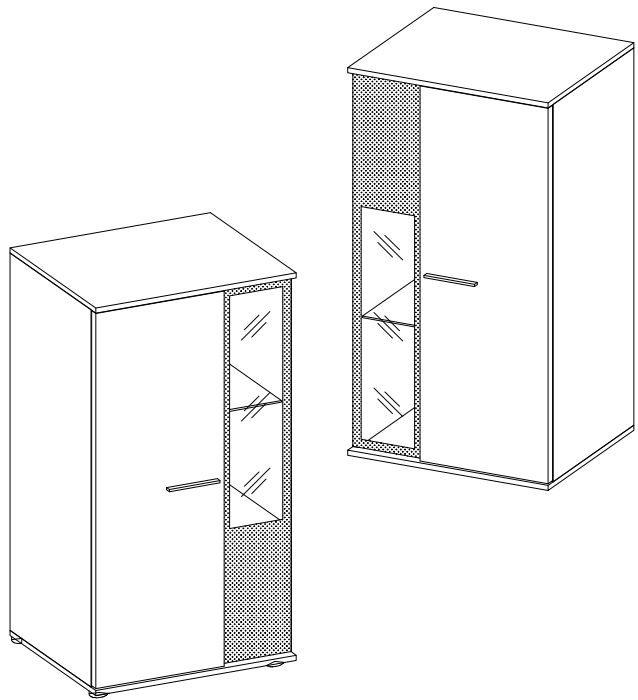


∅5.0x60mm	∅10x50mm	
P12	O7	K16
8	8	4



# SALSA

## Typ 031



1B	L=128mm	+4.0x30mm		2B	H=0	+35/0mm	+3.5x13mm	J5			
			S11		R2					H	G
	2	4			6	6	12	4			
3B	+15/12mm	+8x30mm	L=20mm	+4.0x25mm				+4.0x12mm	0,05		
					F10	J7	J15	R5	O11	L	
	24	16	24	4	4	10	10	10	1	12	
+3.0x20mm				+5/16mm		+4.0x30mm	+3.5x13mm		+10x50mm	+5.0x60mm	
	P7	L2	E	J12	K	P8	P5	L9	O7	P12	K16
	8	8	24	8	2	4	1	1	5	4	2

1

**x2**

**SSA.701**

**SSA.801**

**x2**

**FARBE**

**1h**

H-0 H	±35/0mm G	±3.5x13mm P5
6	6	6
J7	J15	±4.0x12mm R5
10	10	10
		O1
		1

Diagram details: Shows two panels, SSA.701 and SSA.801, being prepared. SSA.701 has brackets (G) attached with screws (P5) and fasteners (J15). SSA.801 has fasteners (J7) and (R5) installed. A clock icon indicates a 1-hour preparation time. A warning icon shows that paint (FARBE) should not be applied to the panels.

2

**SSA.201**

**SSA.201**

**SSA.401**

**40mm**

**40mm**

**40mm**

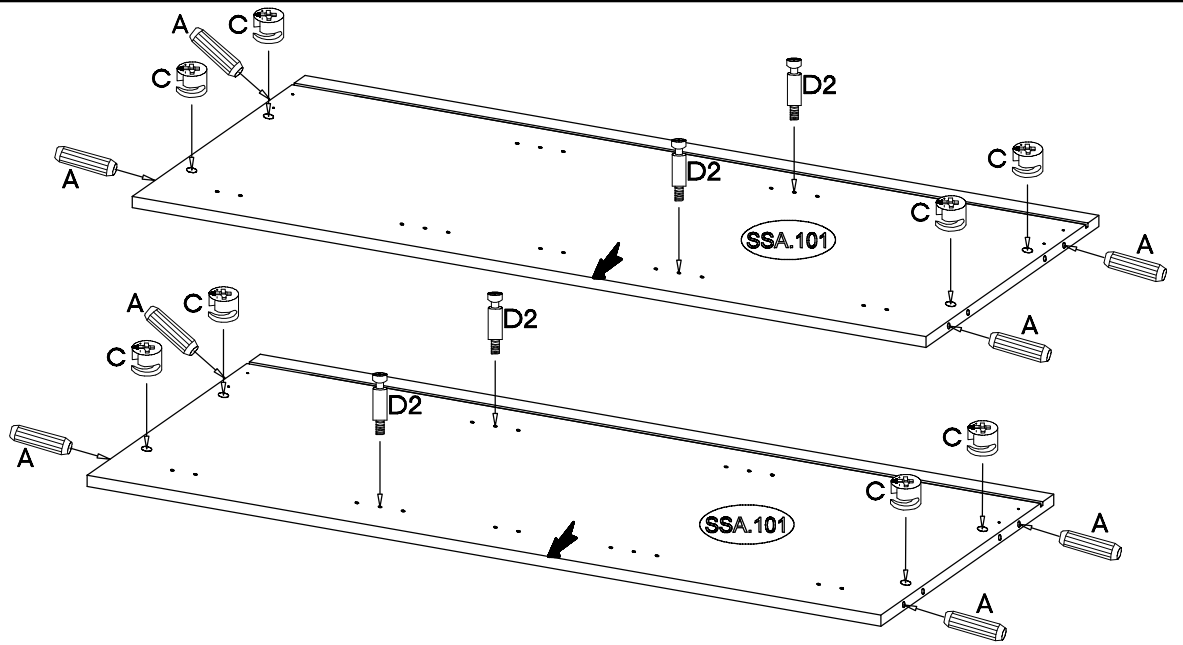
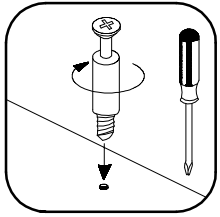
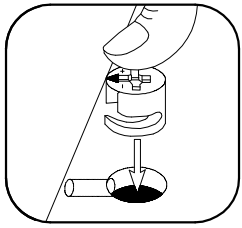
**40mm**

**40mm**

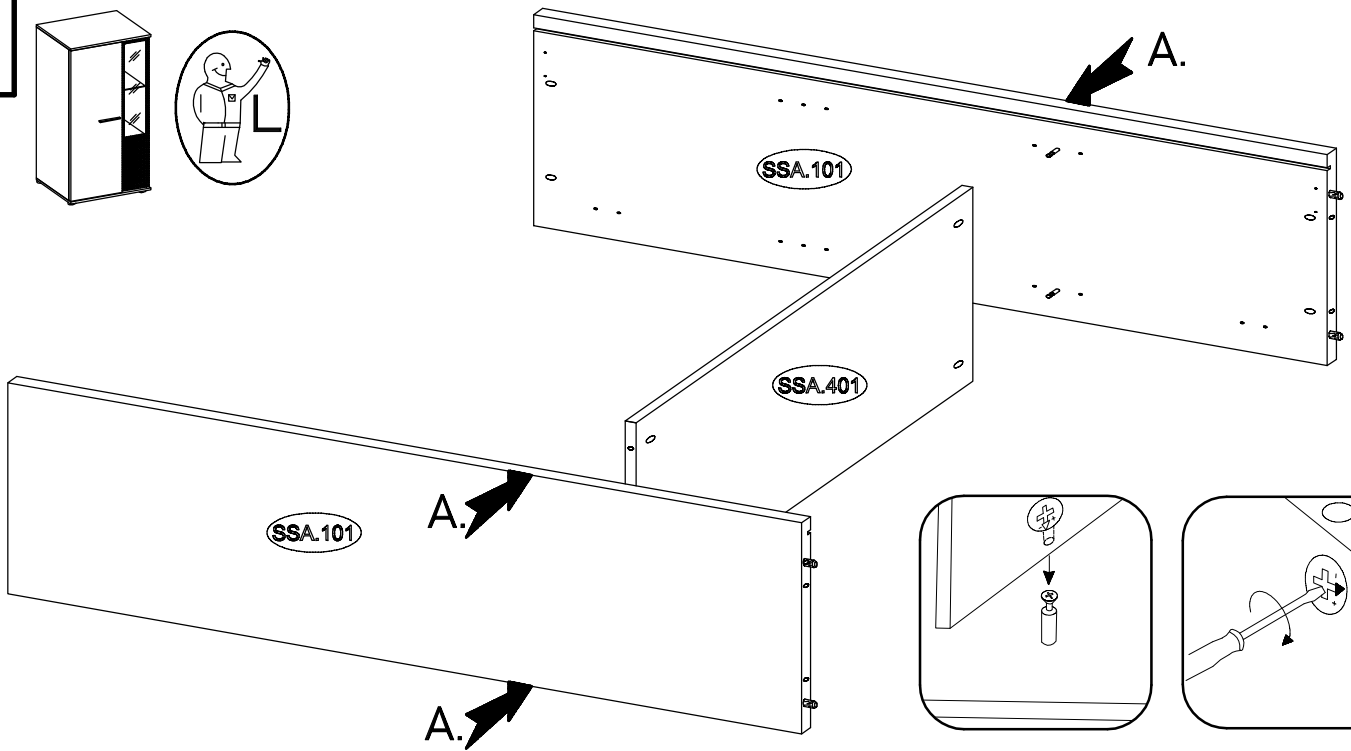
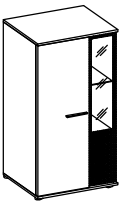
±15/12mm C	±8x30mm A	L=20mm D2	±4.0x25mm P14	F10
12	8	12	4	4

Diagram details: Shows three panels, SSA.201 and SSA.401, being assembled. SSA.201 panels are secured with fasteners (D2) and (F10). SSA.401 is secured with fasteners (C) and (A). A 4x4 grid of fasteners (F10) is shown with 40mm spacing. A warning icon shows that a screwdriver should not be used to force a fastener into the panel.

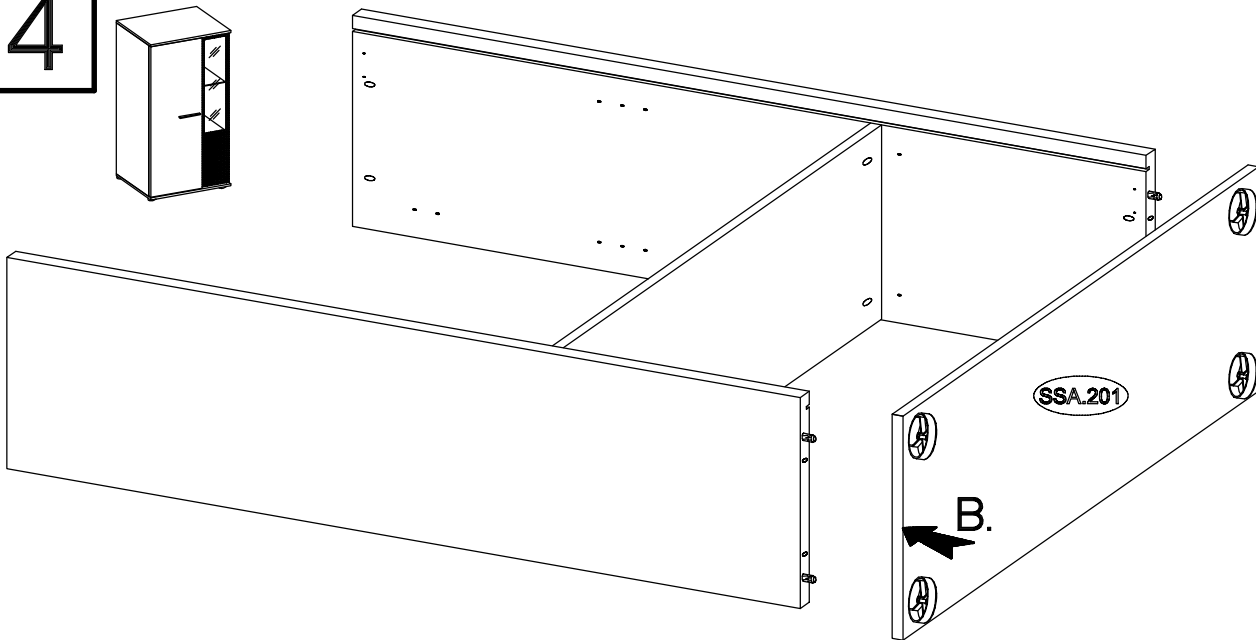
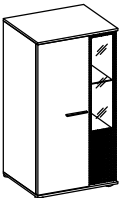




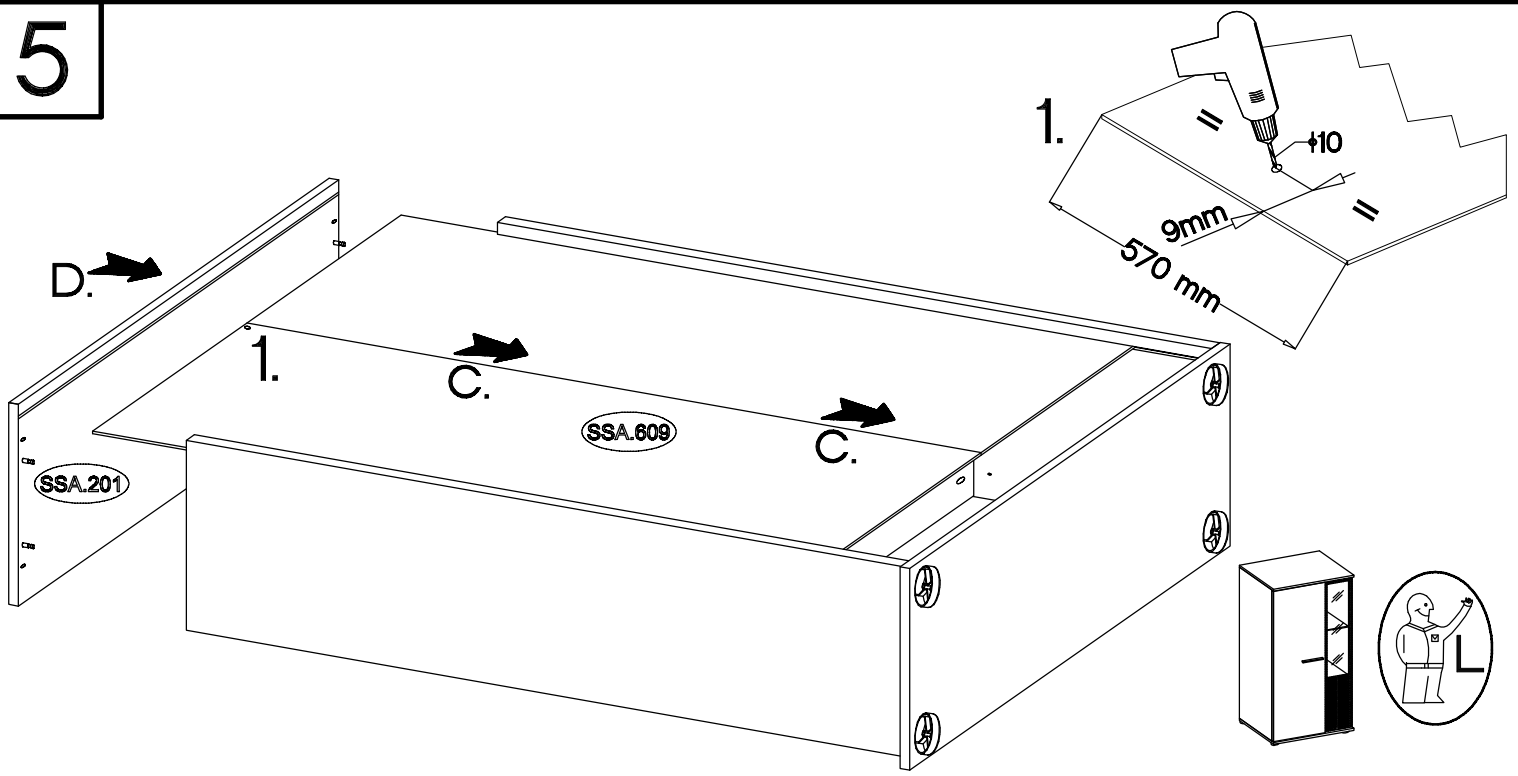
3



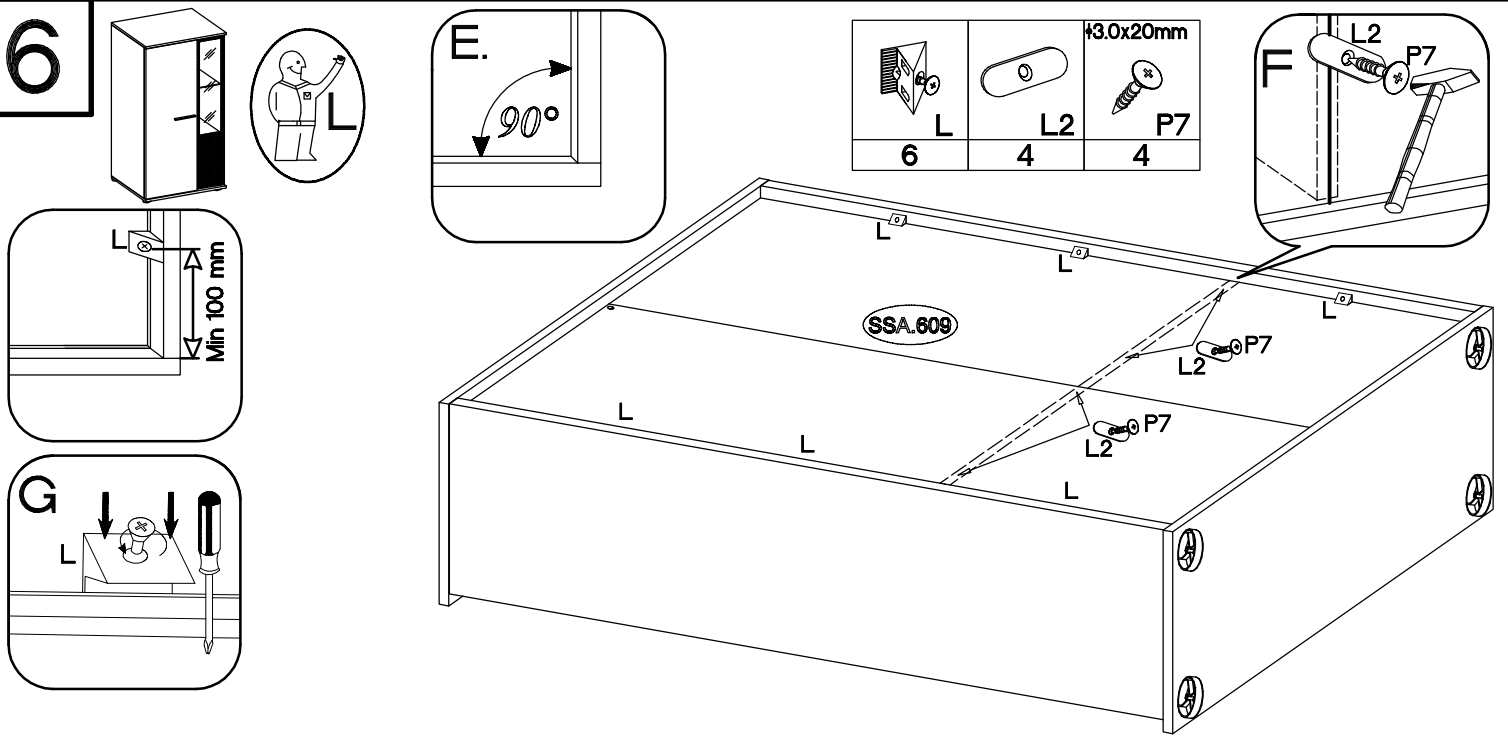
4



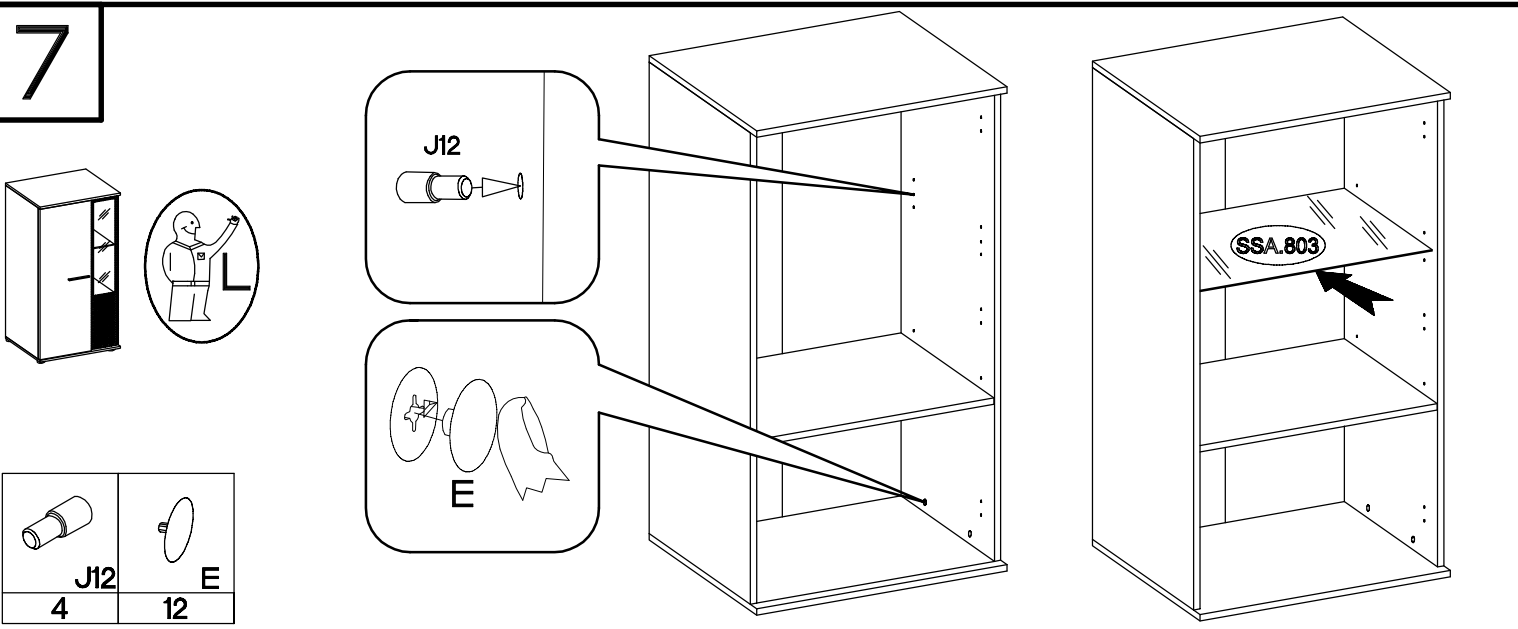
5



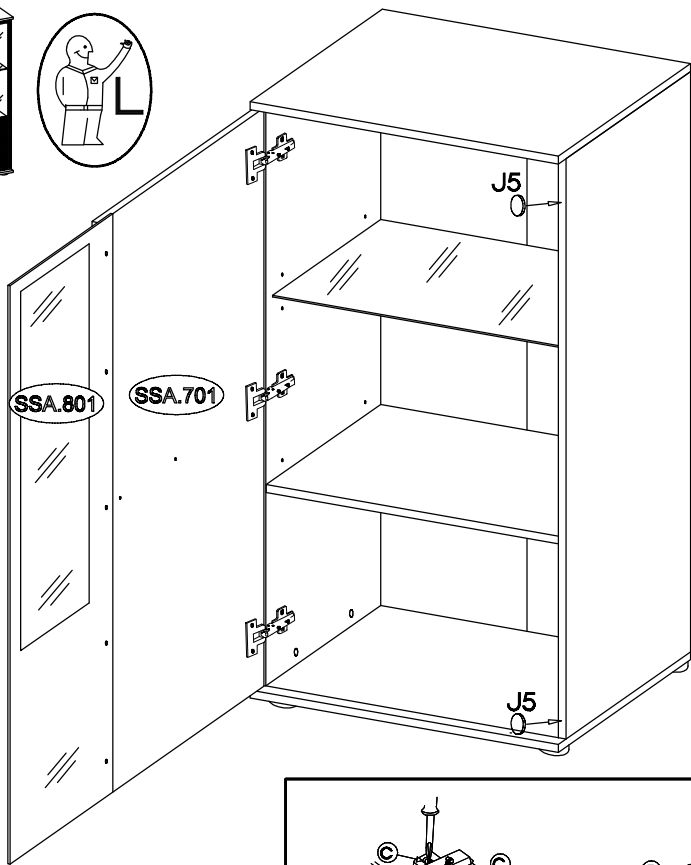
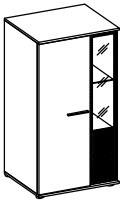
6



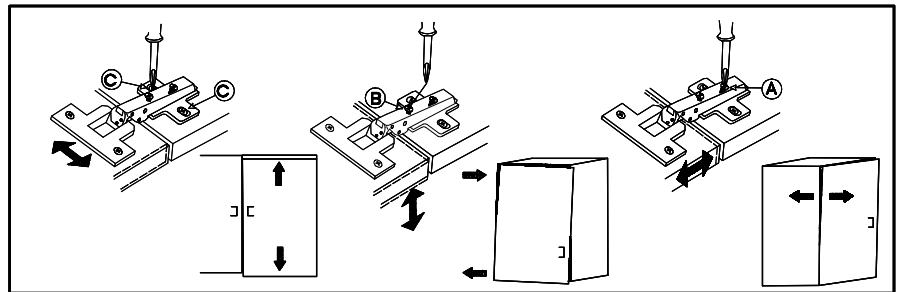
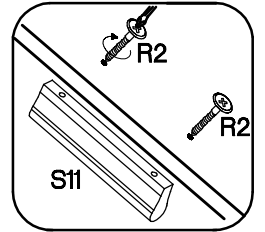
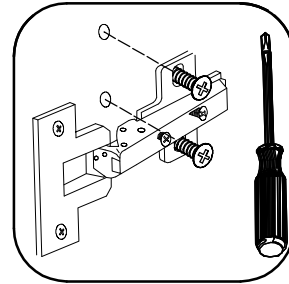
7



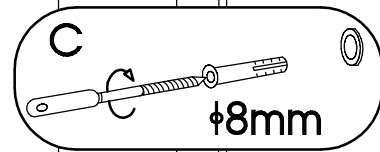
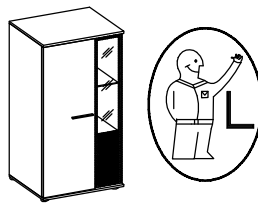
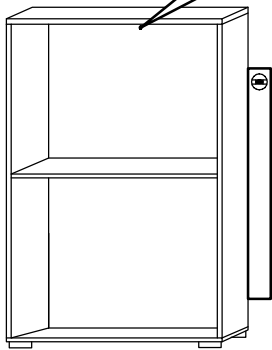
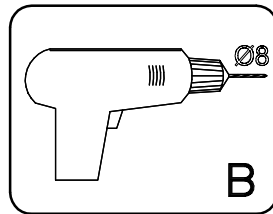
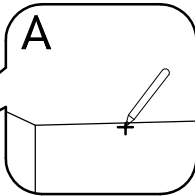
8



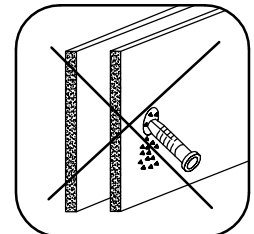
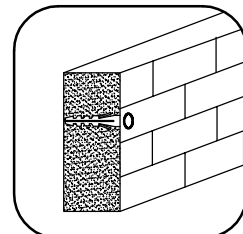
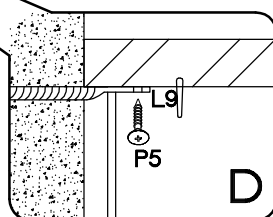
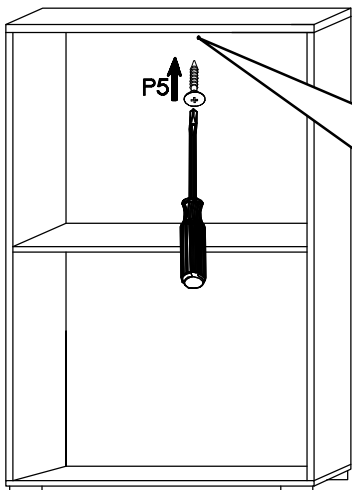
	$\phi 4.0 \times 30 \text{mm}$	L=128mm
J5		R2
2	2	1
		S11



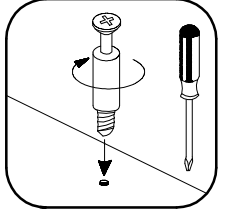
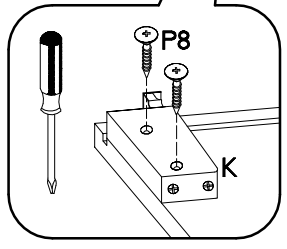
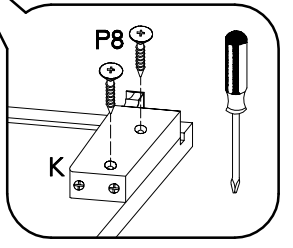
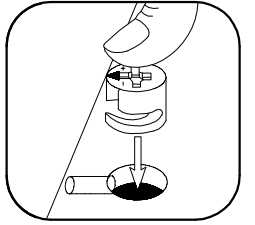
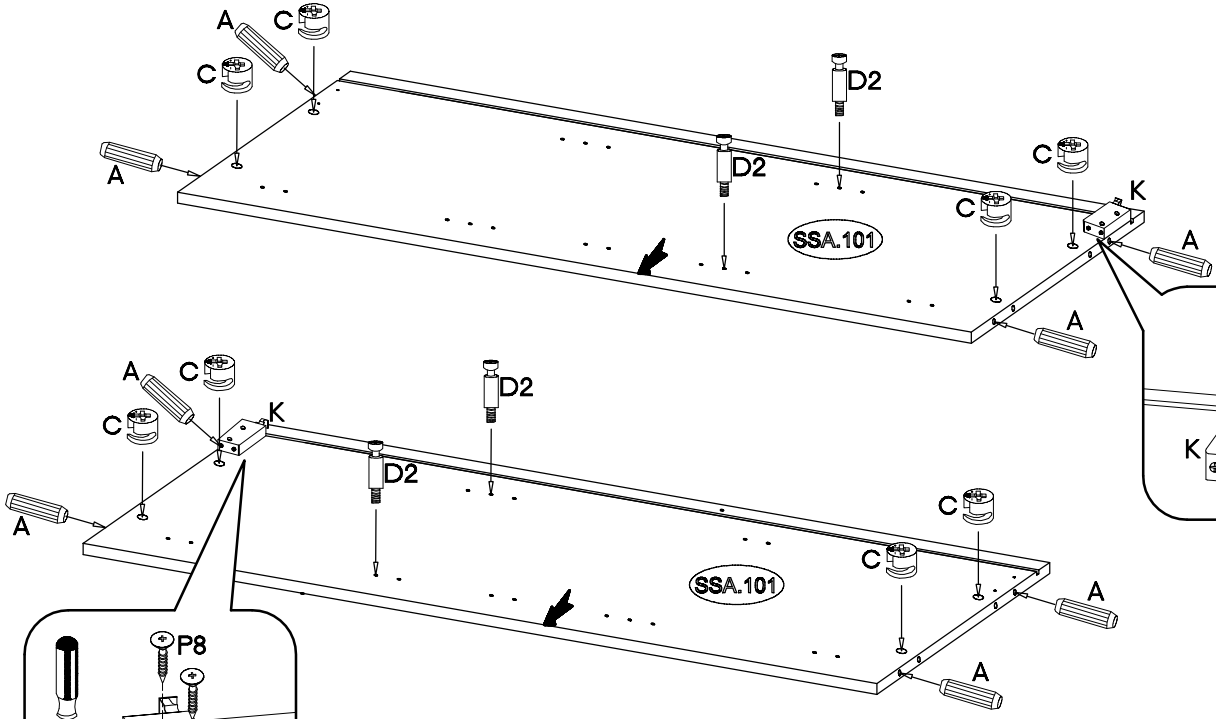
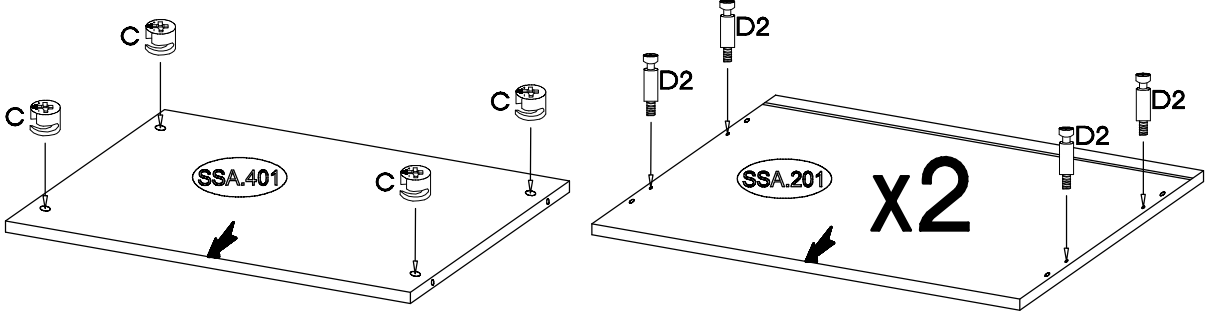
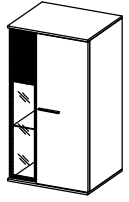
9



	$\phi 3.5 \times 13 \text{mm}$	$\phi 10 \times 50 \text{mm}$
L9	P5	O7
1	1	1

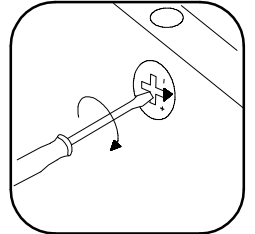
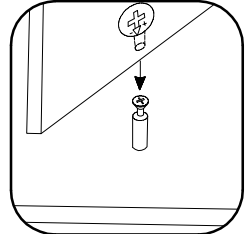
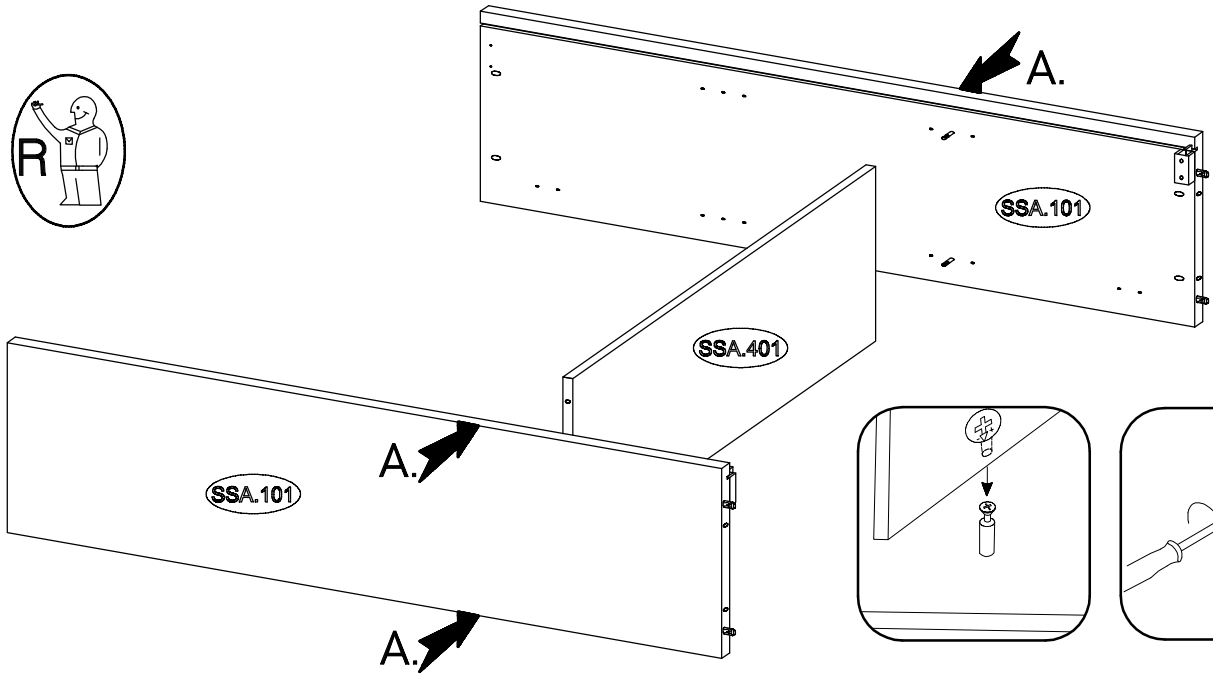
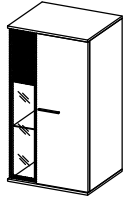


# 10

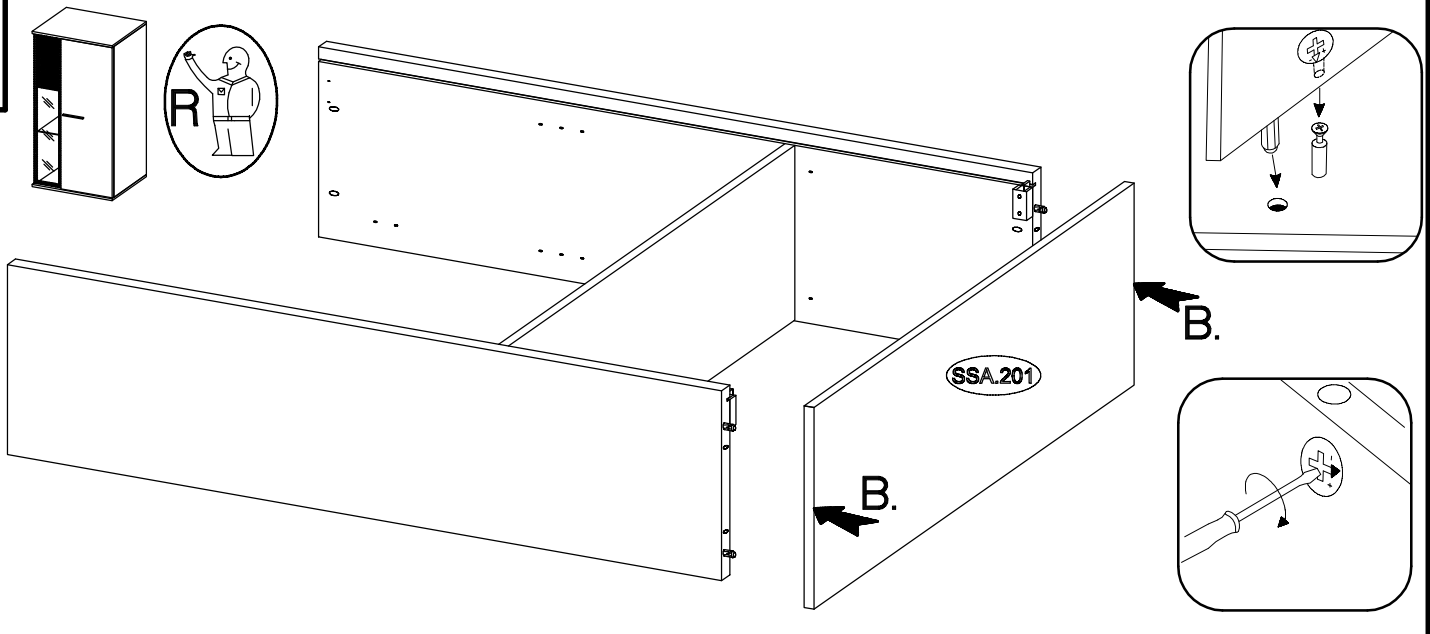


 C	 A	 D2	 K	 P8
12	8	12	2	4

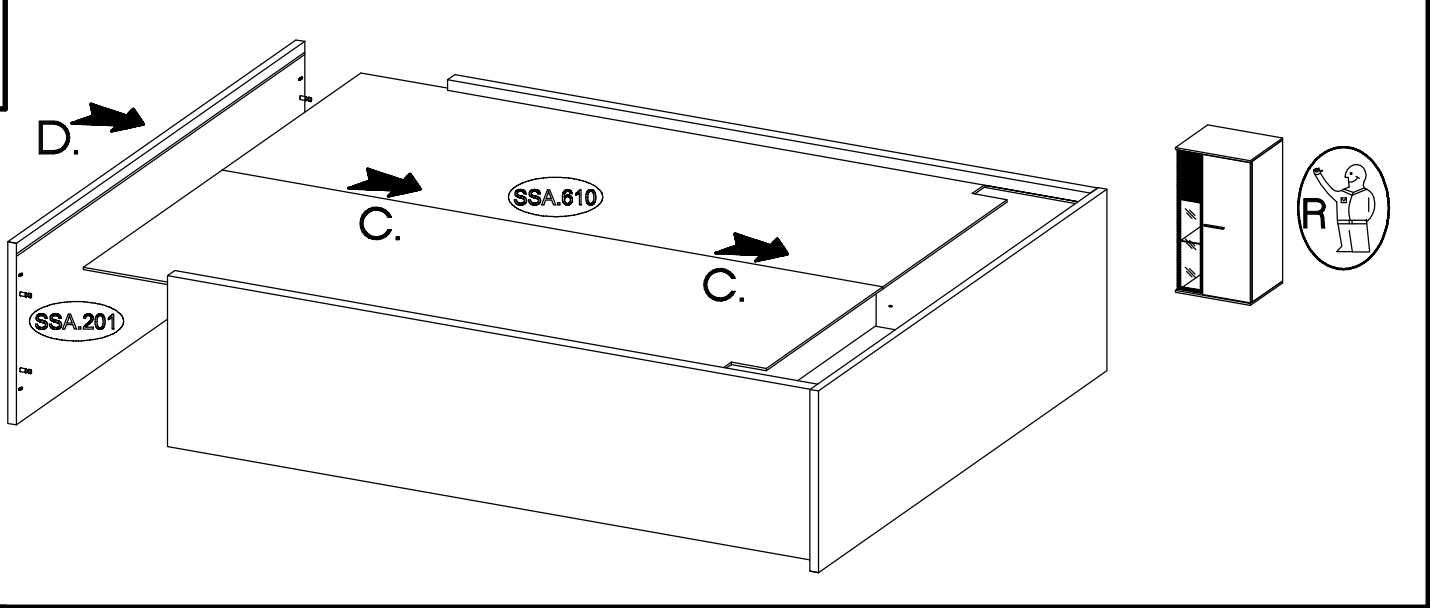
# 11



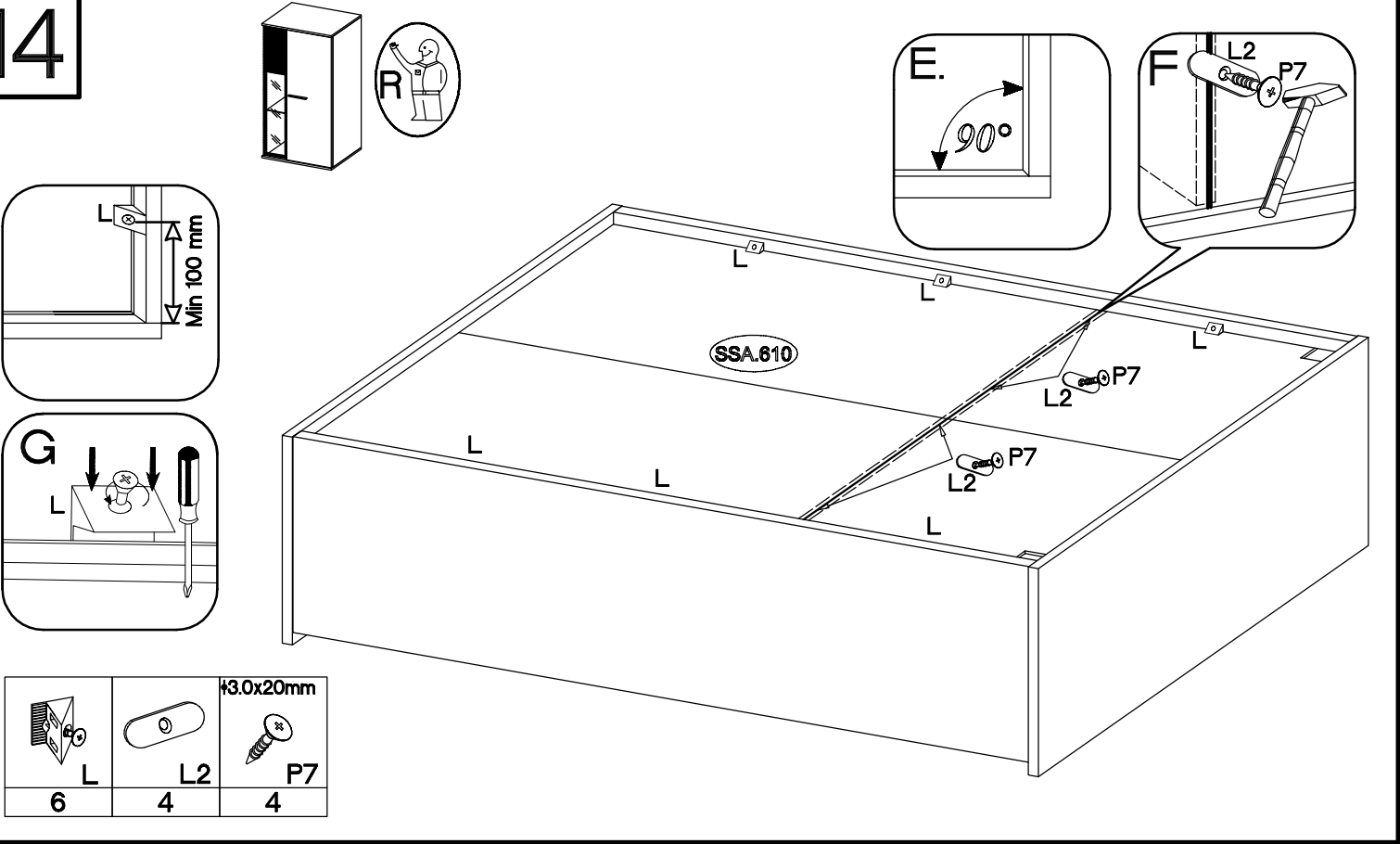
12



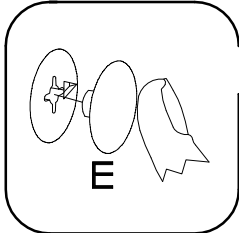
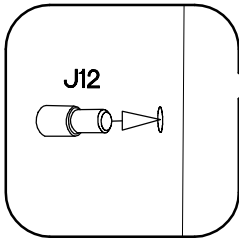
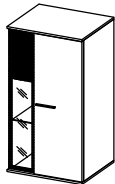
13





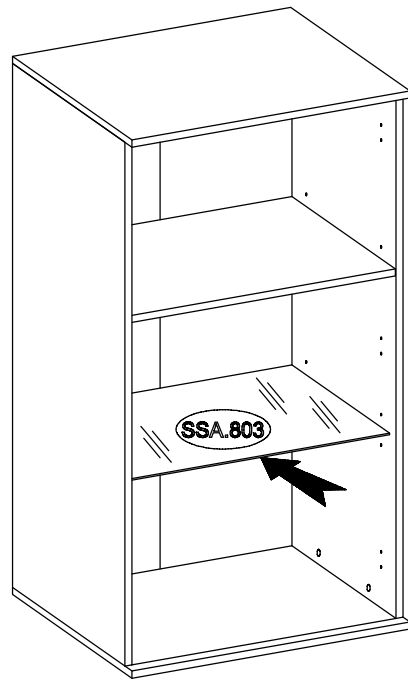
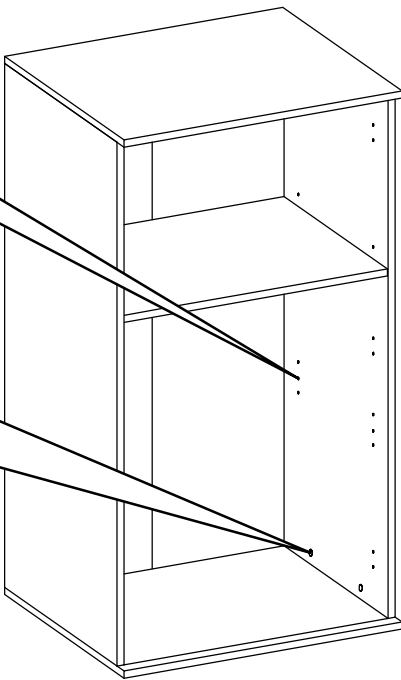
14



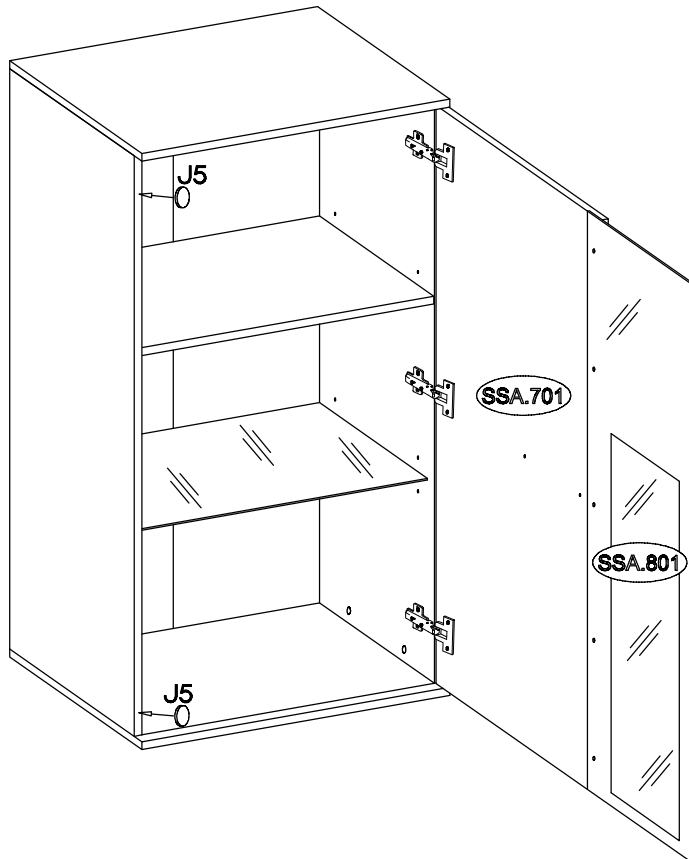
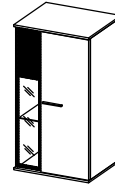
# 15






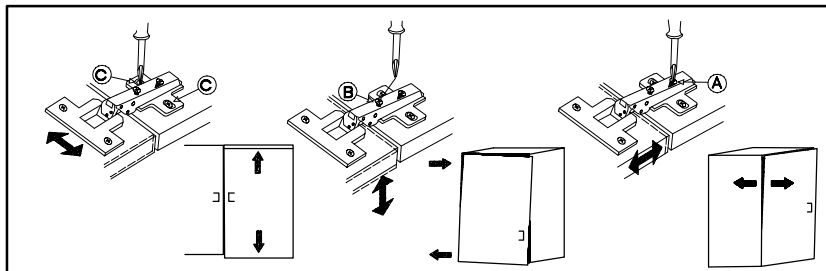
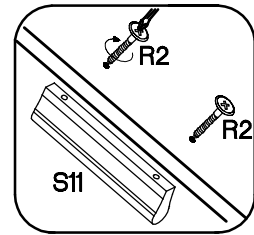
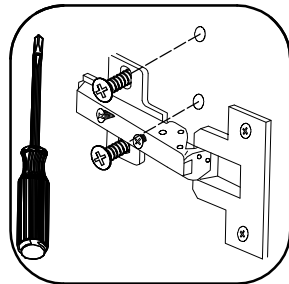
	
J12	E
4	12



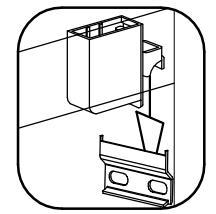
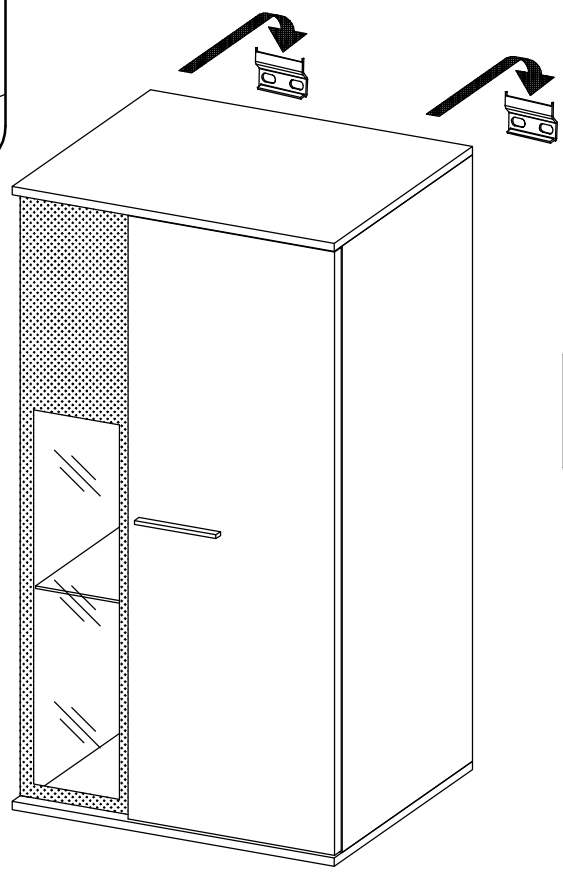
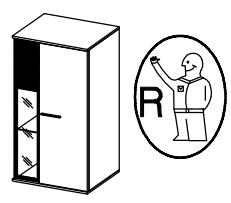
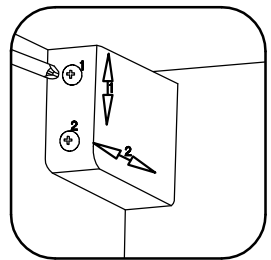
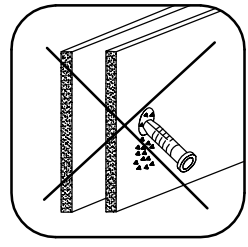
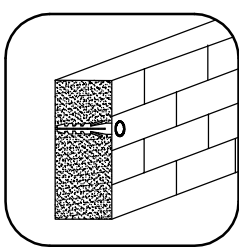
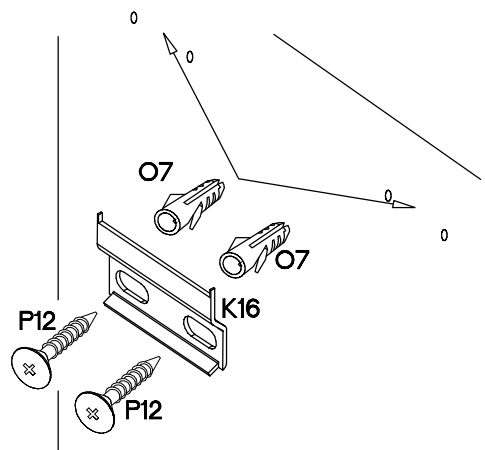
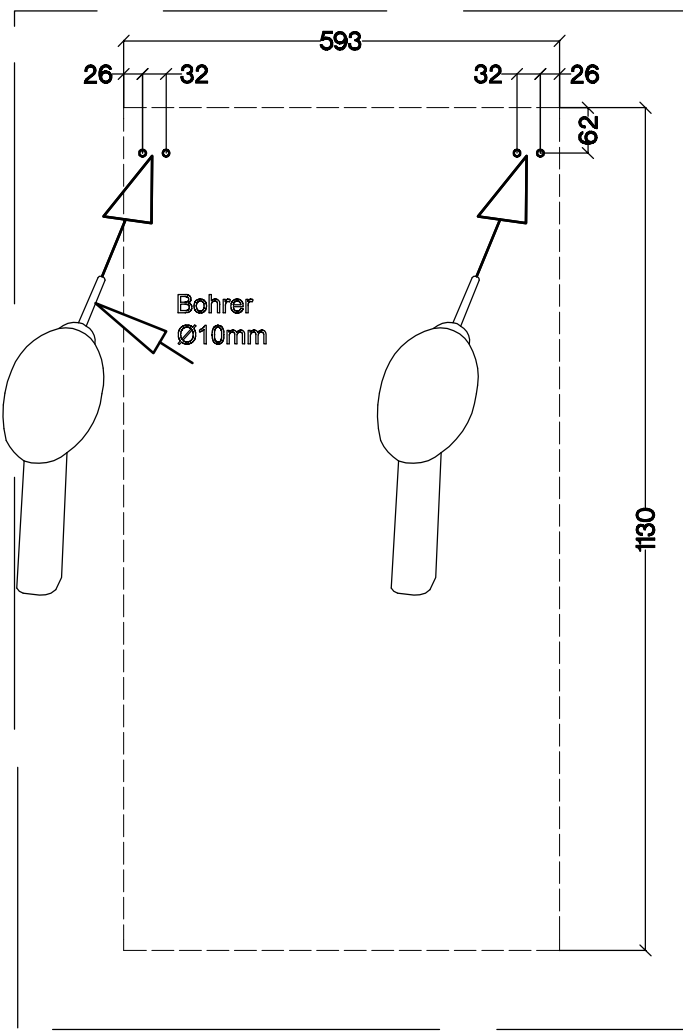
# 16



	 4.0x30mm	 L=128mm
J5	R2	S11
2	2	1

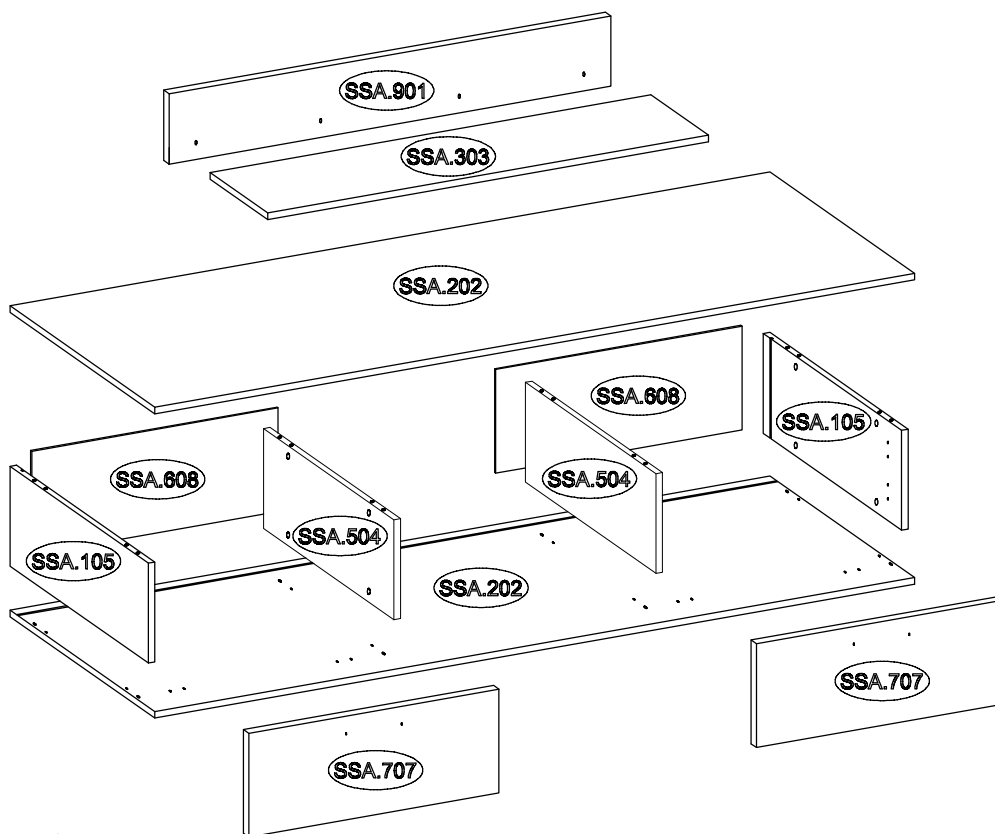
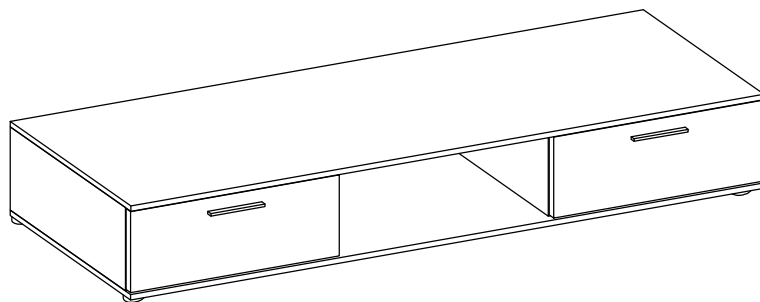
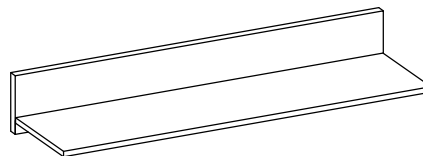


±5.0x60mm	±10x50mm	
P12	O7	K16
4	4	2



# SALSA

## Typ 318



1B	L=128mm	+4.0x30mm
	2	4


2B	H=0	+35/16mm	+3.5x13mm
	4	4	8

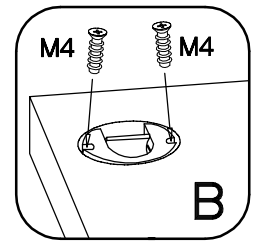
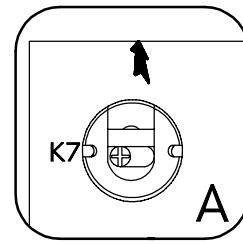
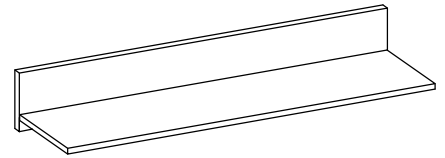
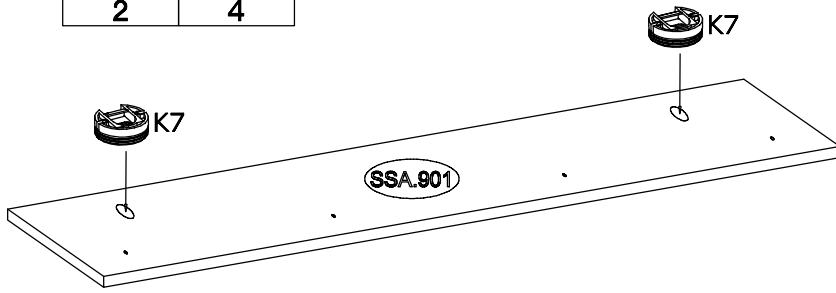
3B		+6.3x9mm		6,4 x 50mm	5/45mm	+10x50mm	+15/12mm	+8x30mm	L=20mm	+4.0x25mm
	2	4	1	4	2	2	16	16	16	6

	+3.5x13mm						
	6	6	2	4	16	10	4




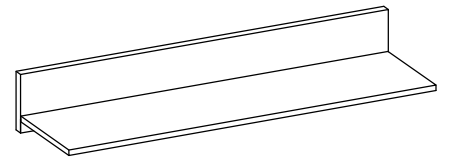
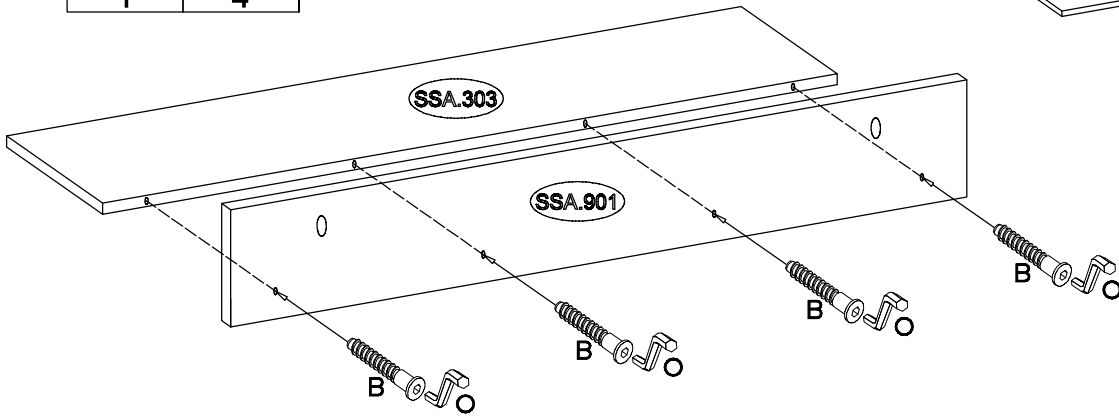
# 1

	16,3x9mm
K7	M4
2	4

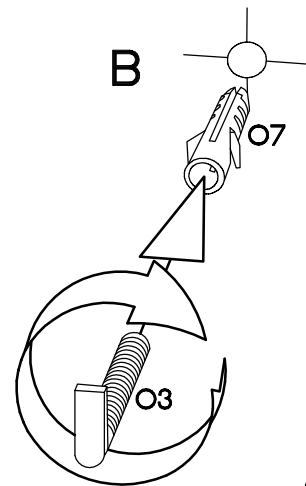
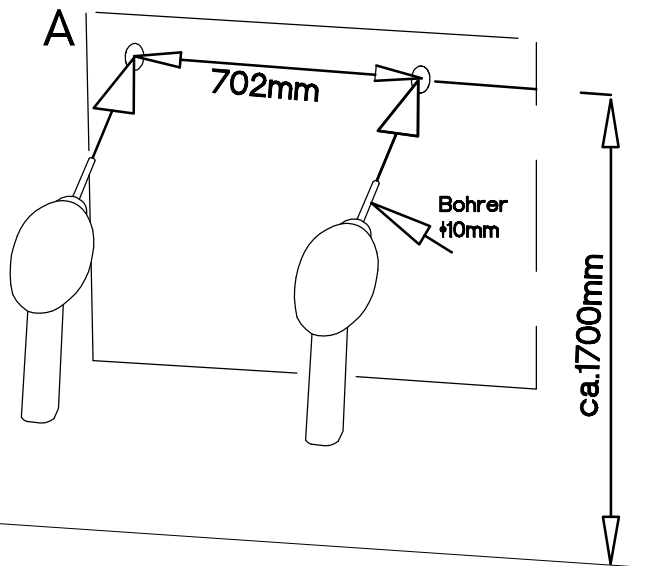



# 2

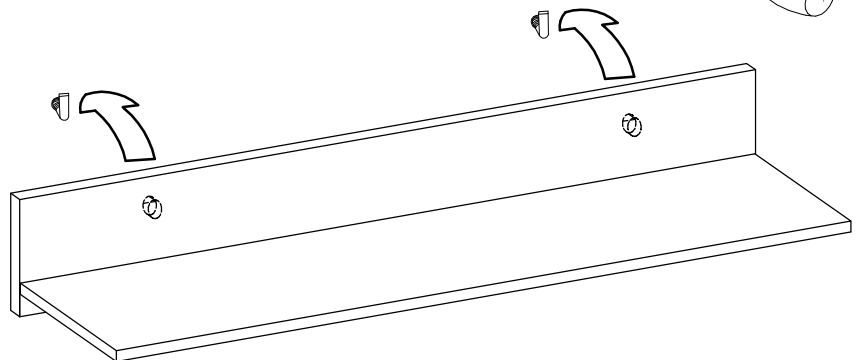
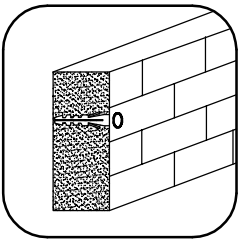
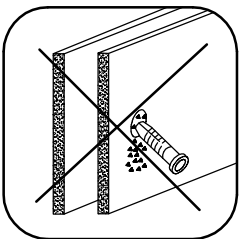
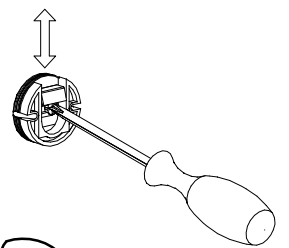
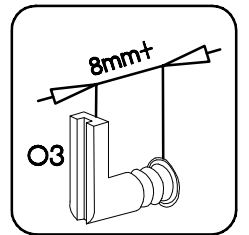
	6,4 x 50mm
O	B
1	4






# 3





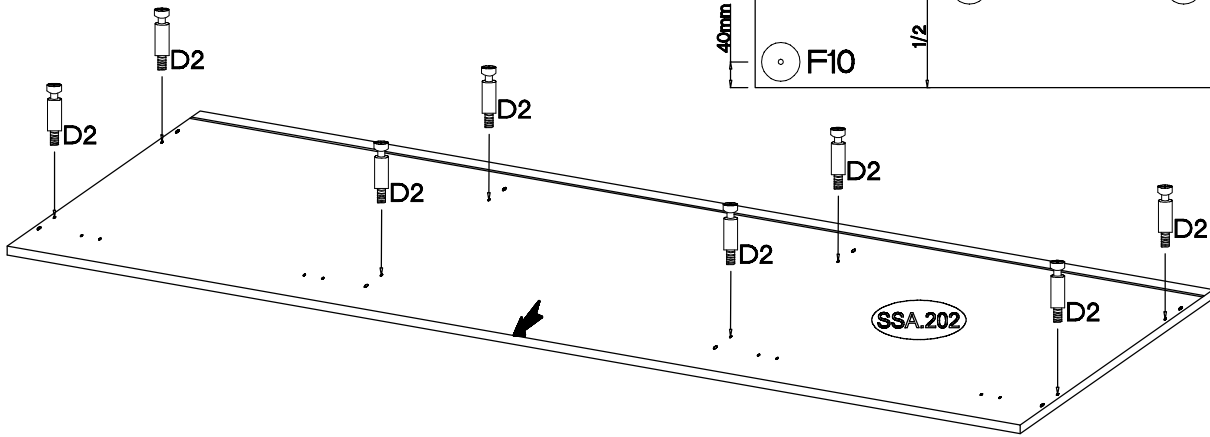
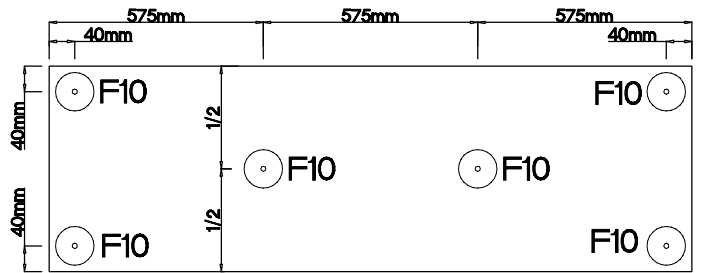
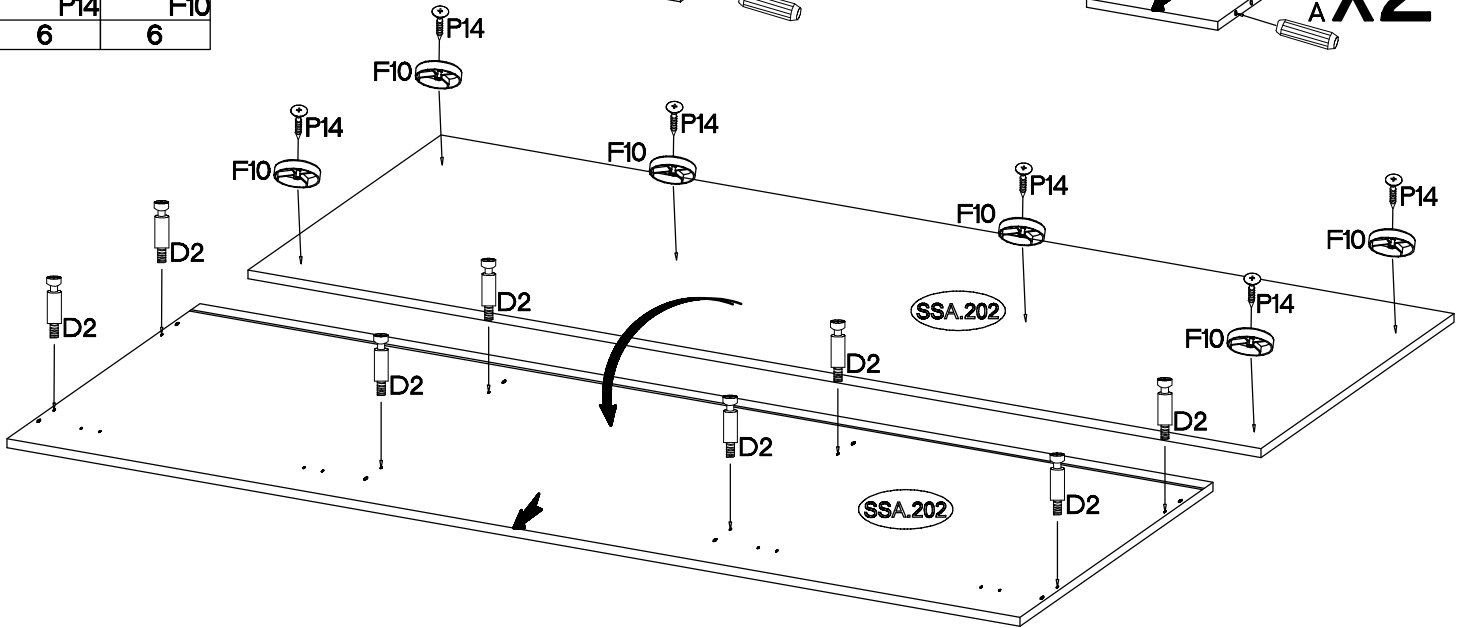
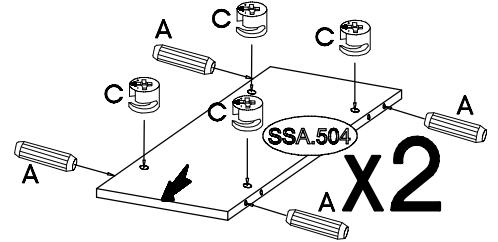
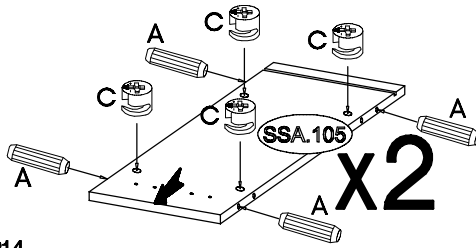
	10x50mm
O3	O7
2	2



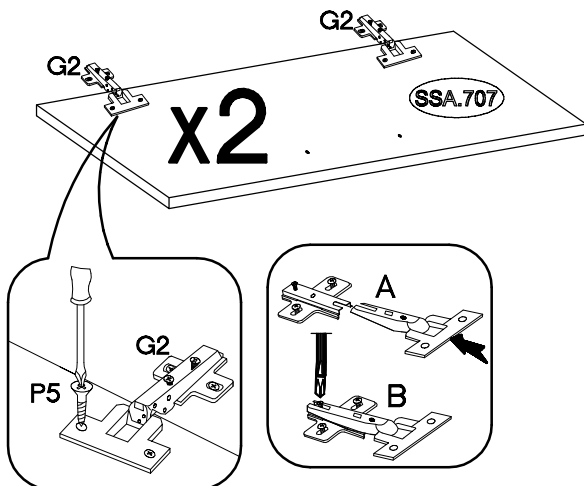
# 4





		
16	16	16

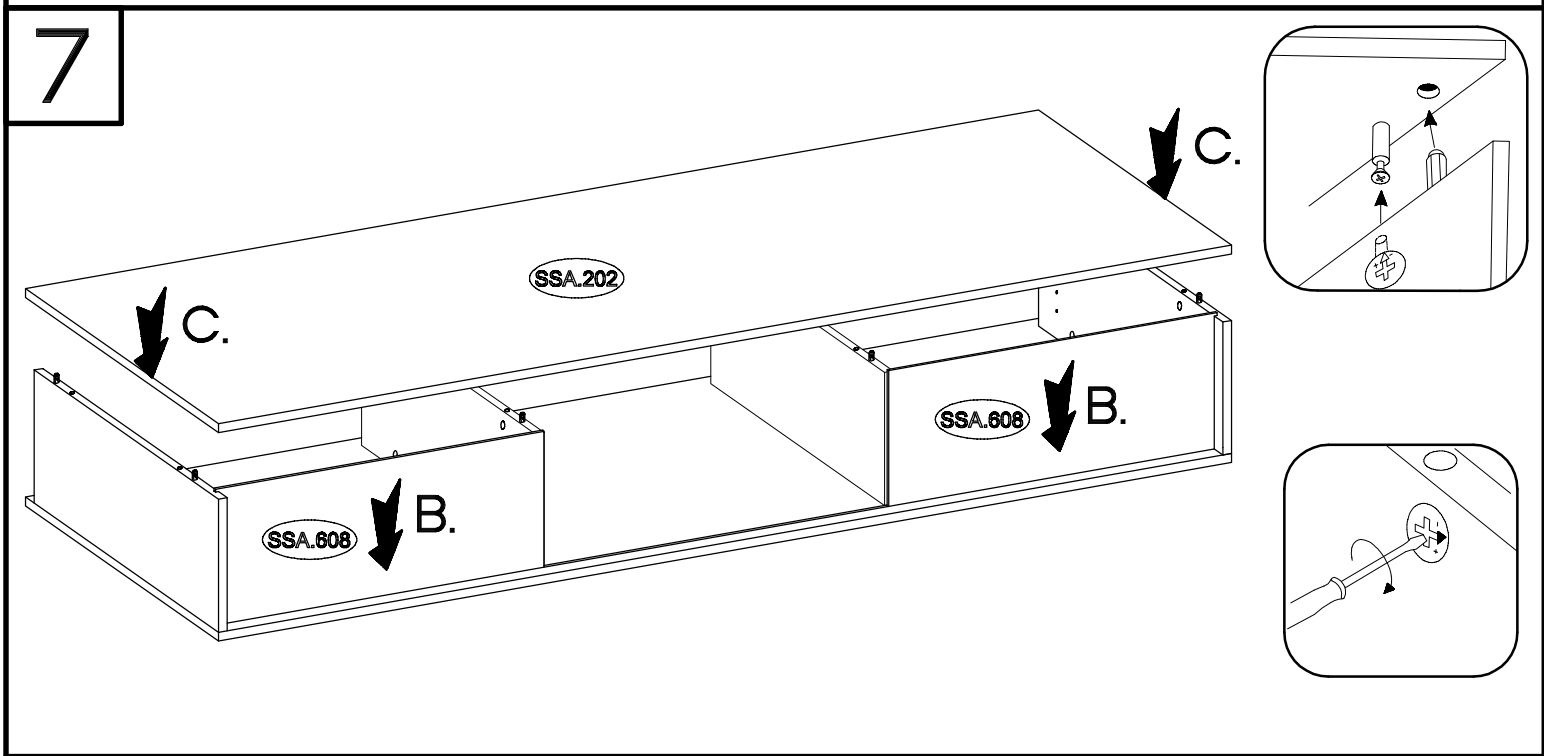
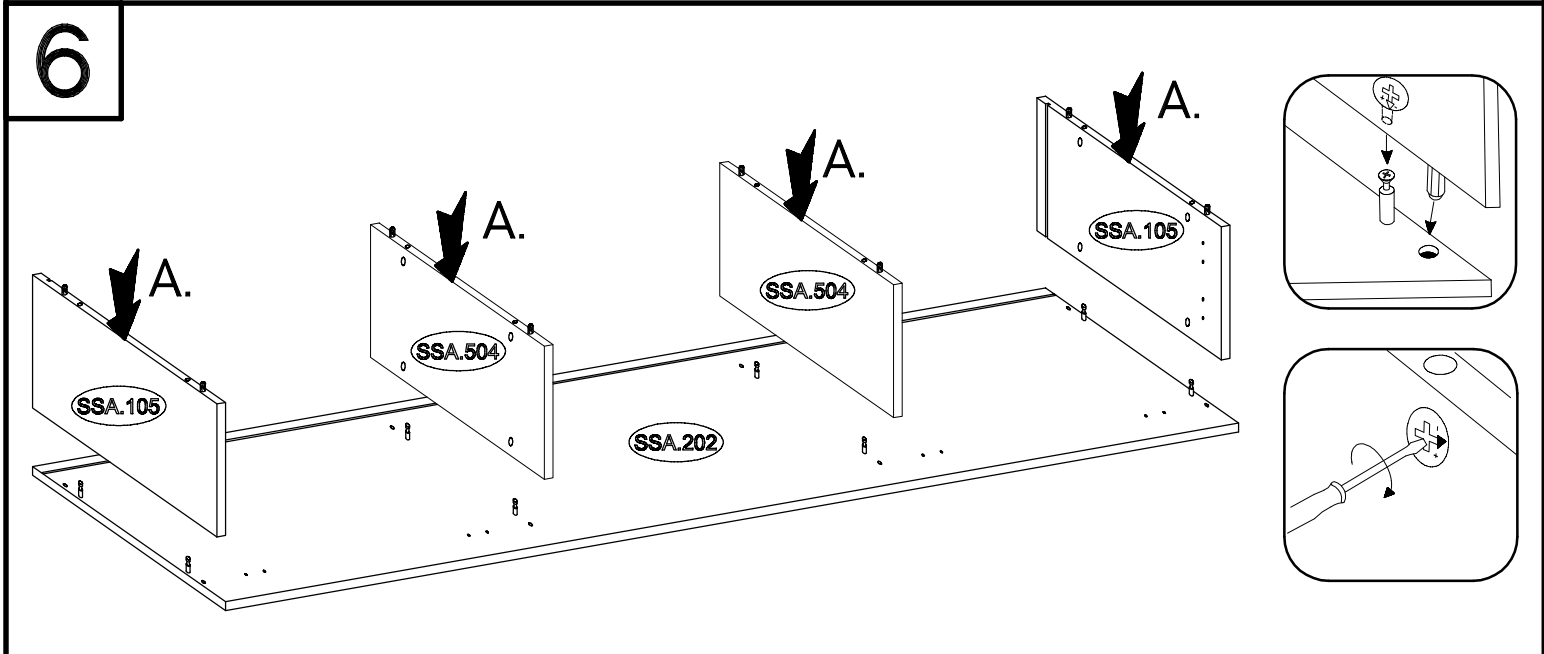
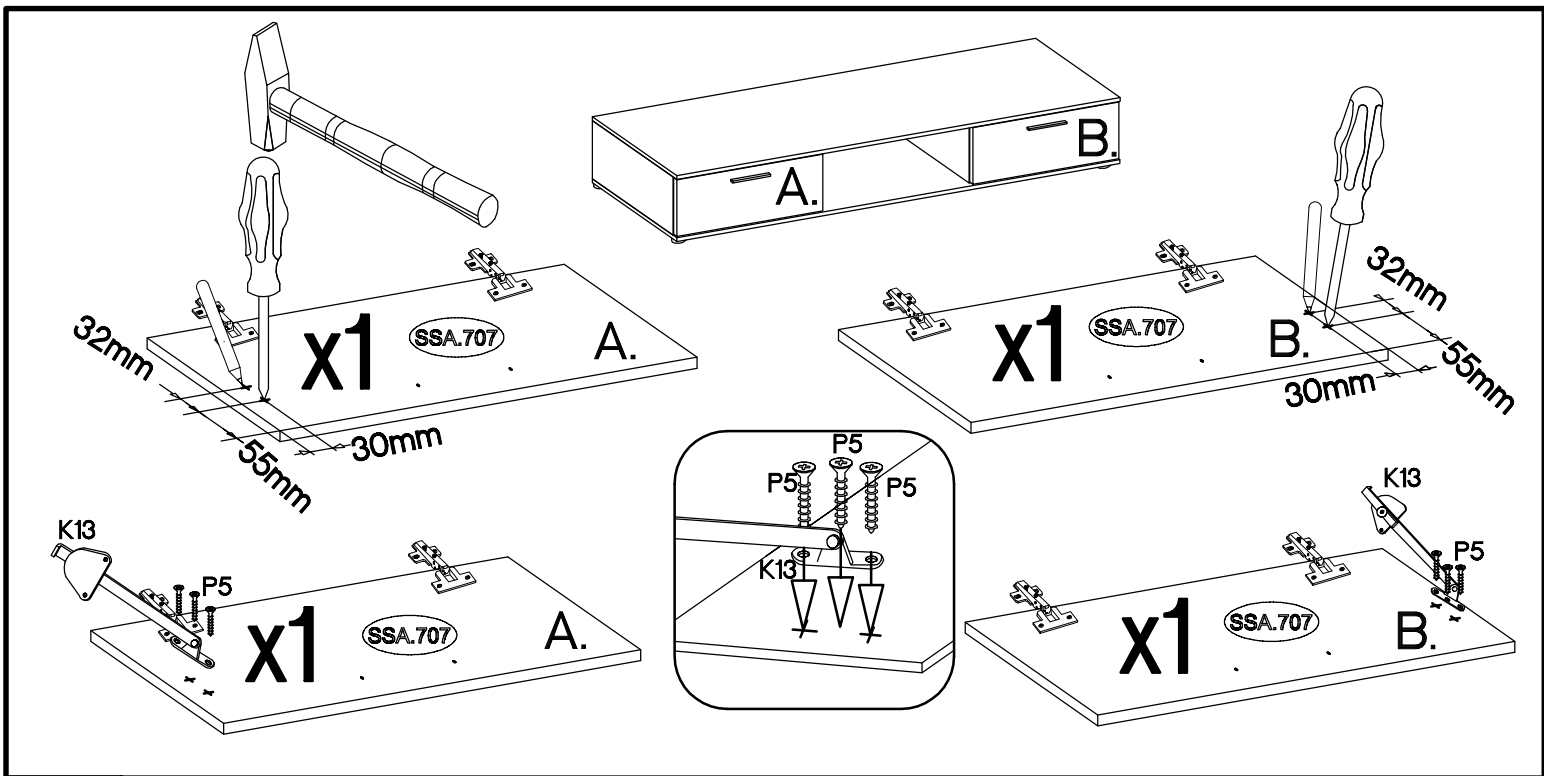
	
6	6



# 5



			
4	4	14	2



# 8

±3.0x16mm



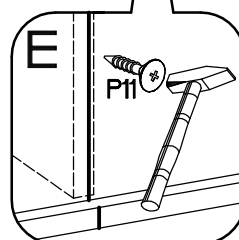
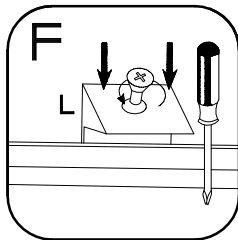
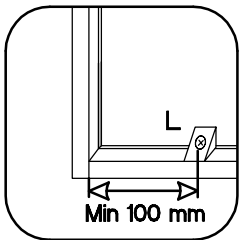
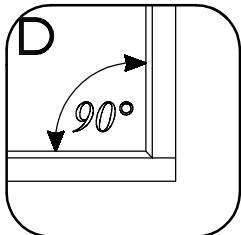
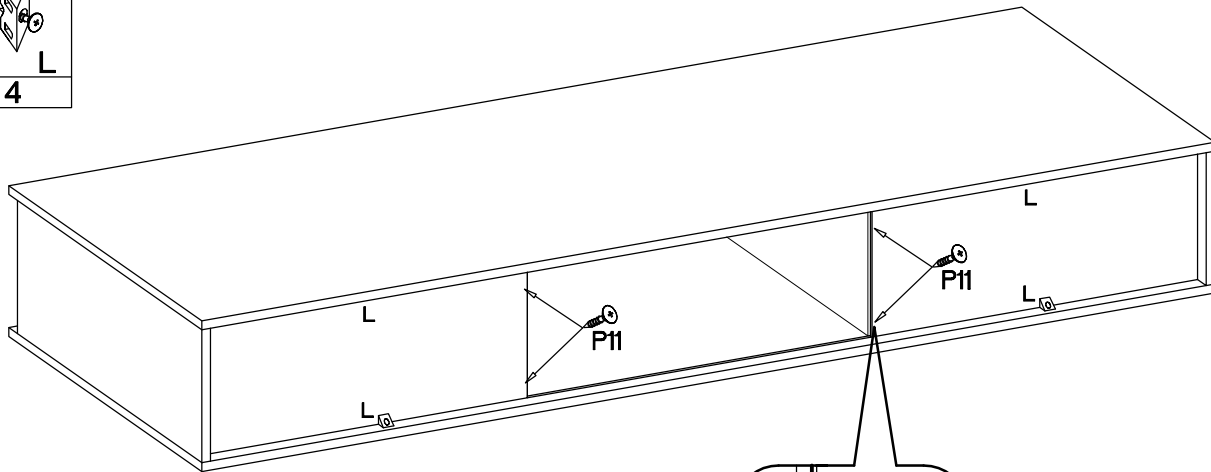
P11

4



L

4



# 9

±3.0x16mm



E

16

±3.0x16mm



P11

6

±4.0x30mm



R2

4

L=128mm



S11

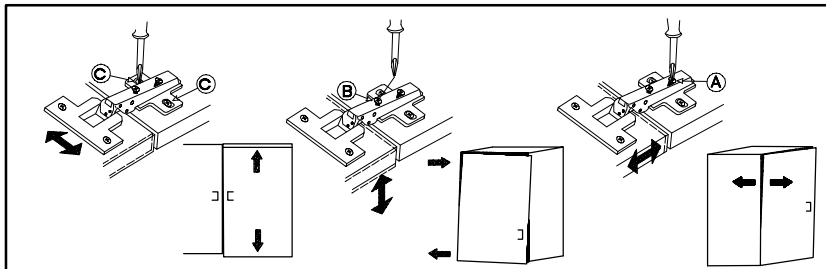
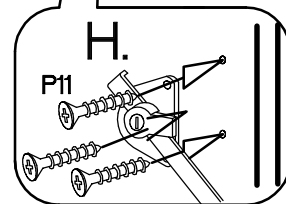
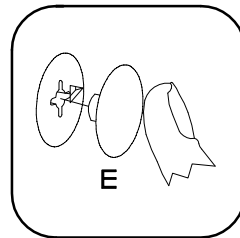
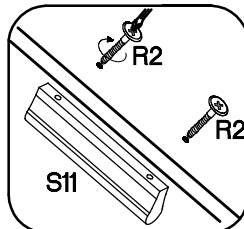
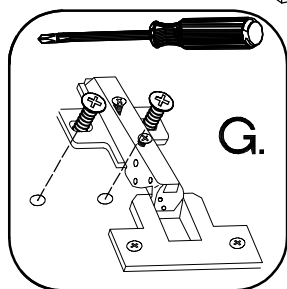
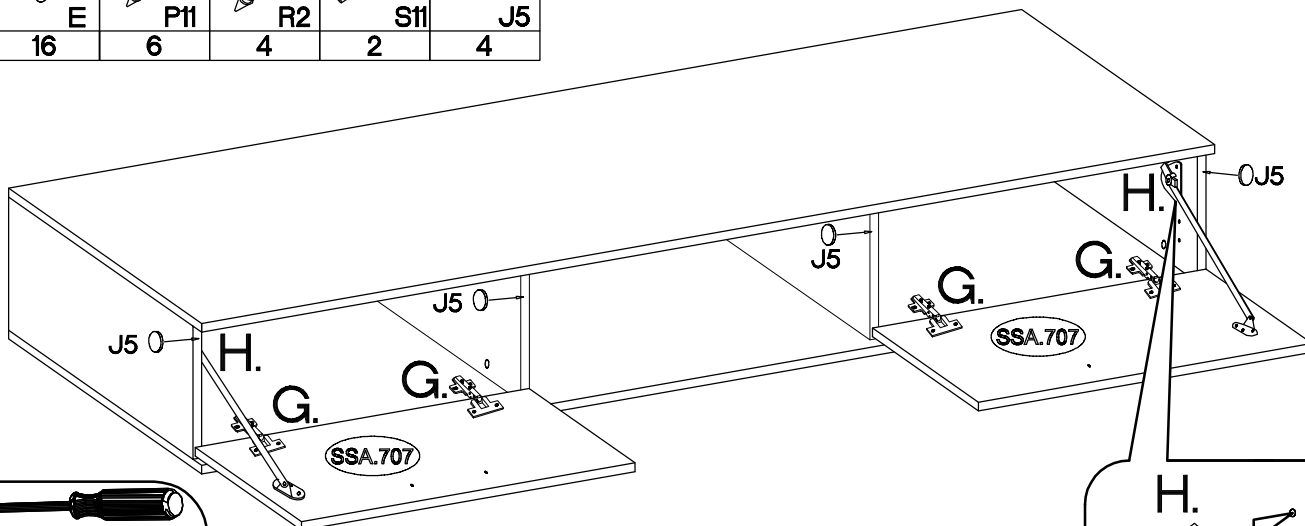
2

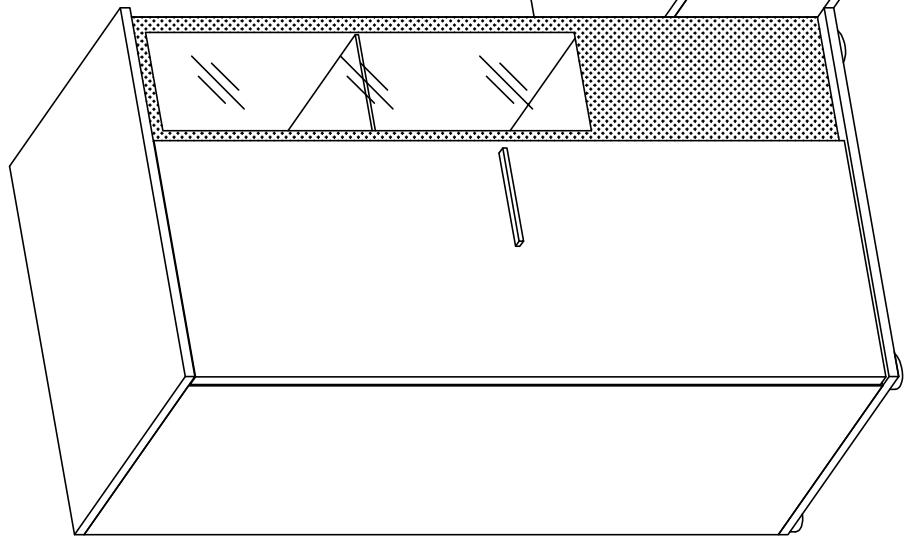
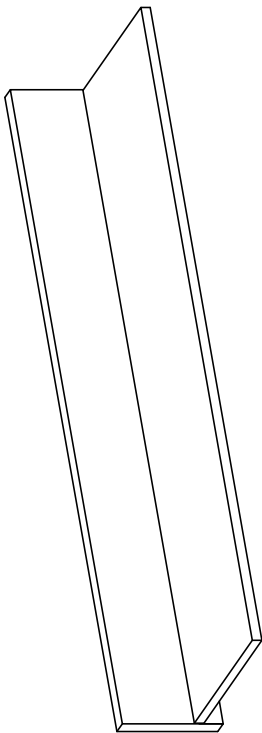
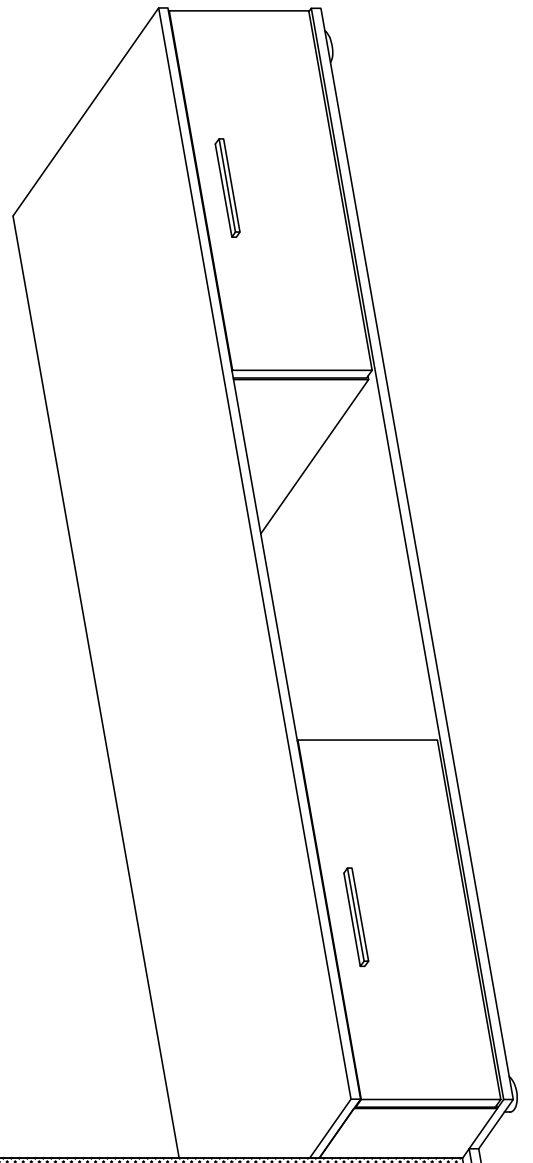
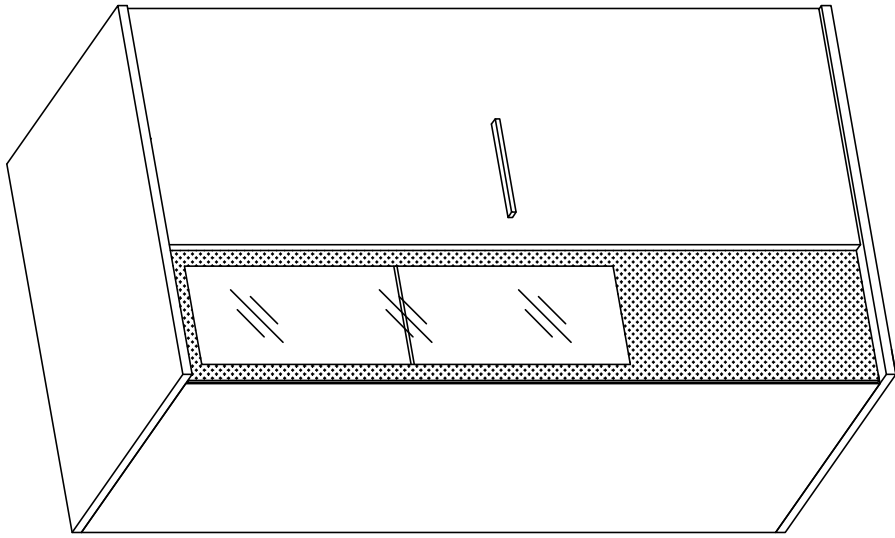
L=128mm



J5

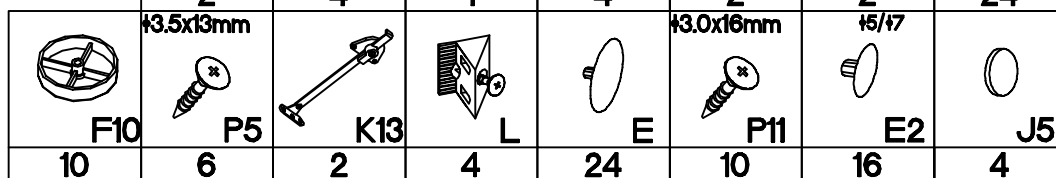
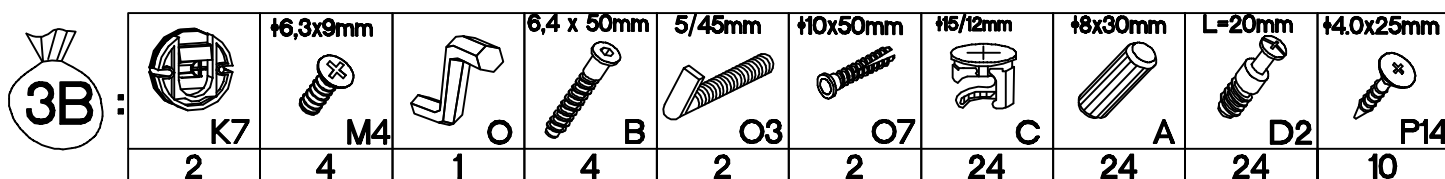
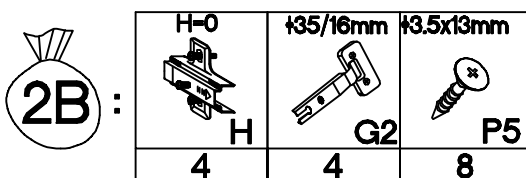
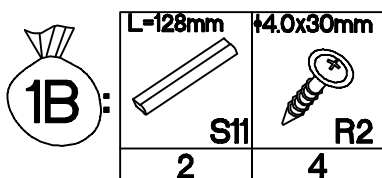
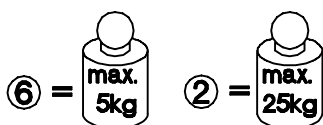
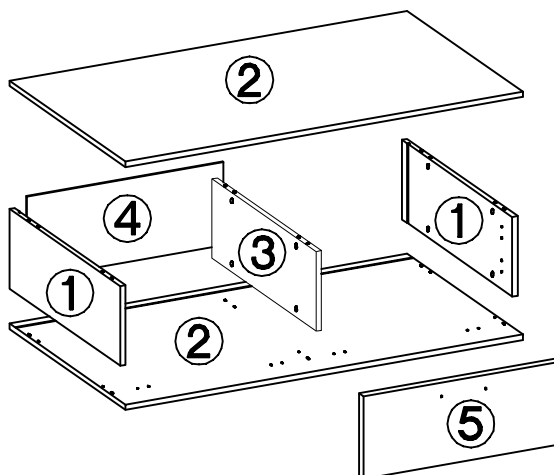
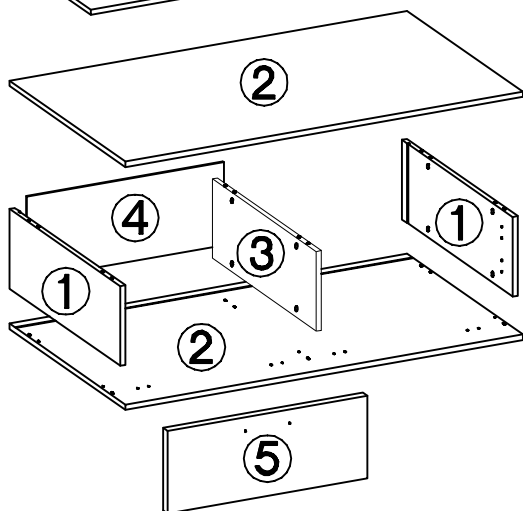
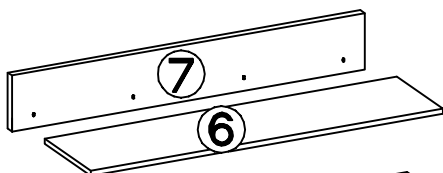
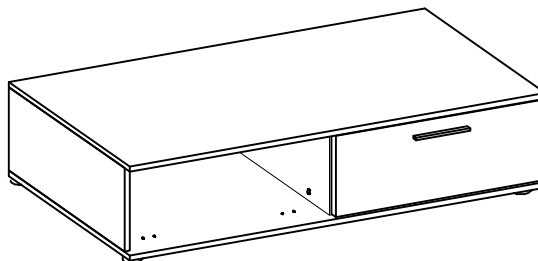
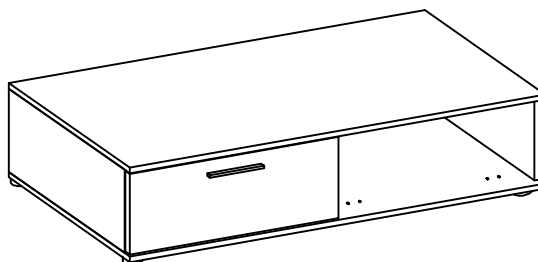
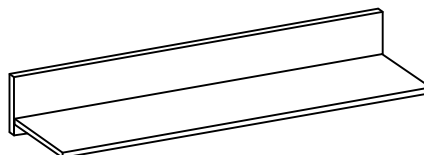
4

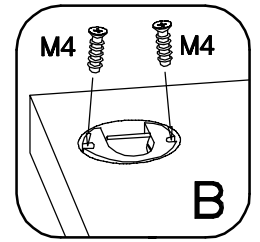
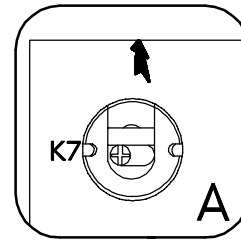
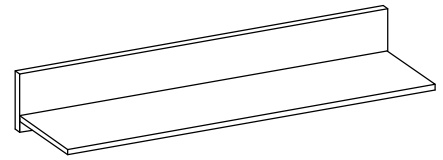
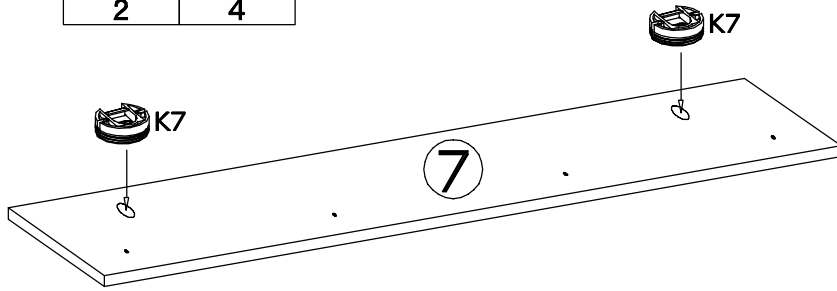
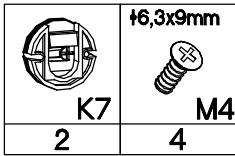
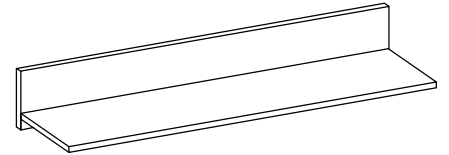
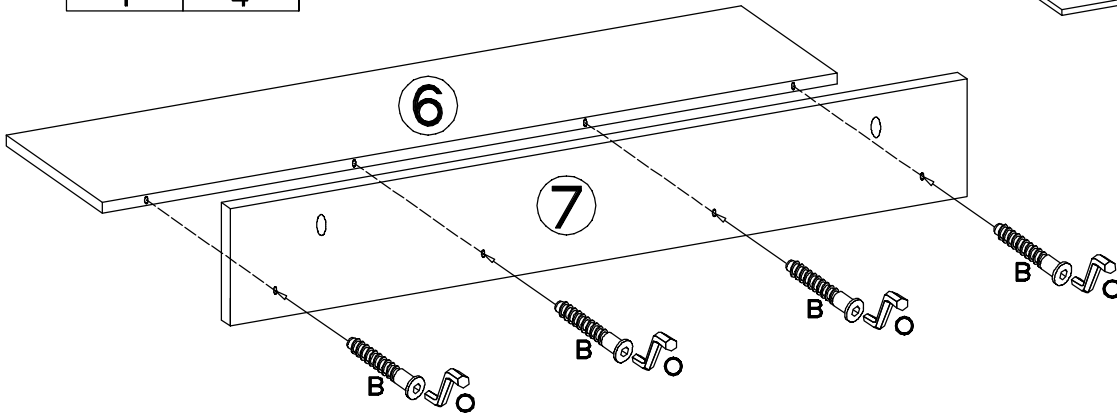
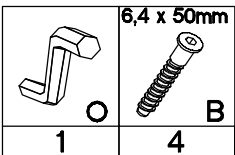
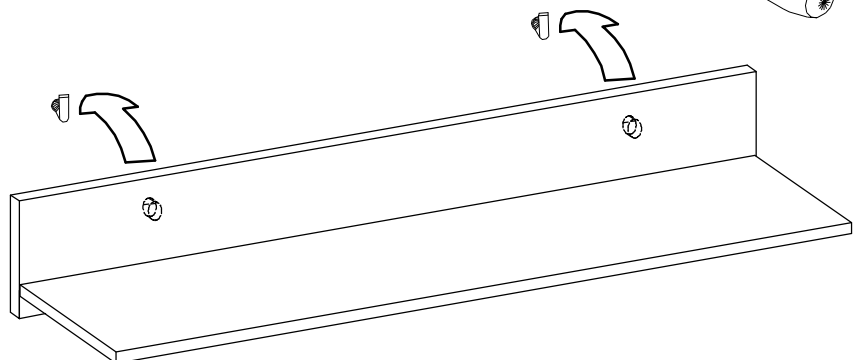
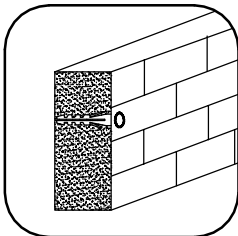
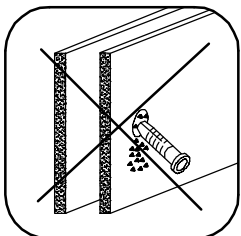
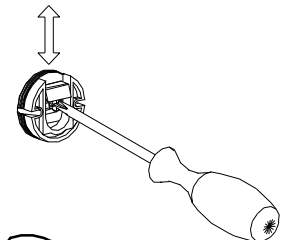
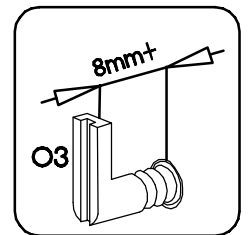
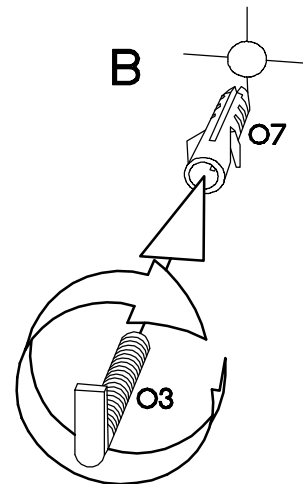
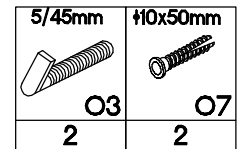
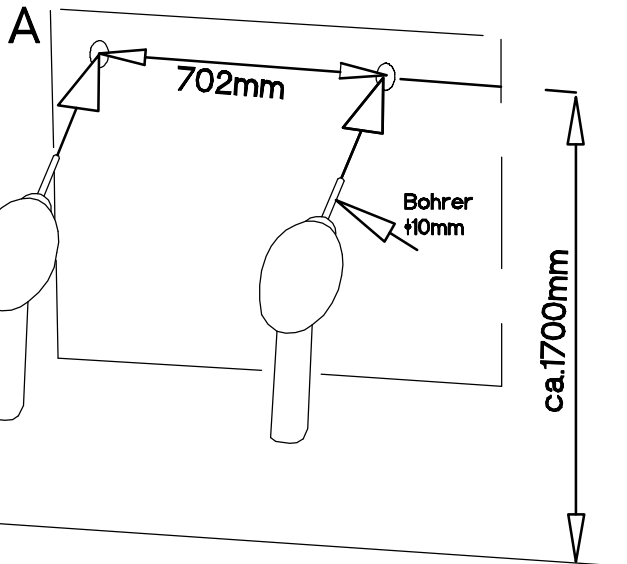







# SALSA



## Typ 314

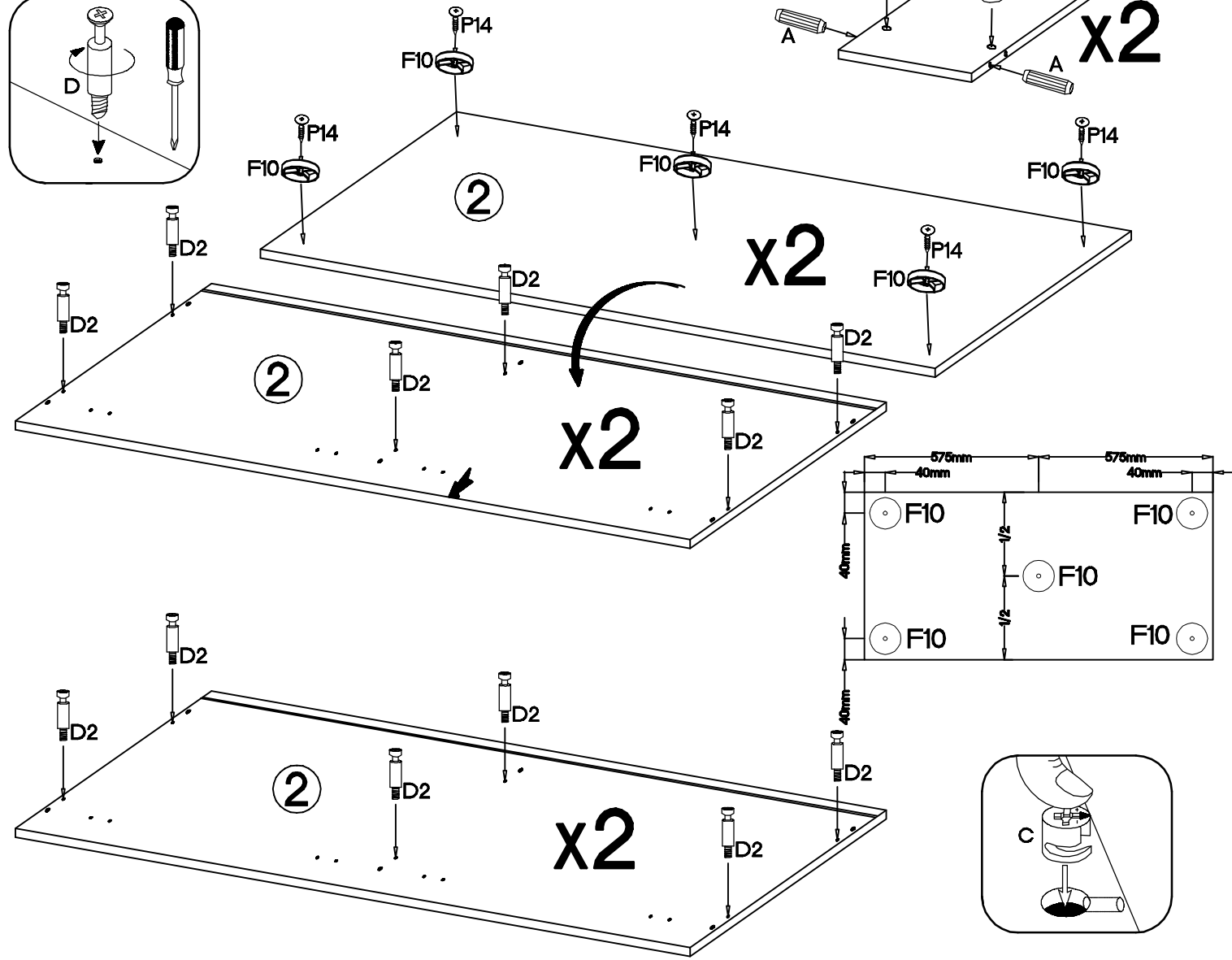
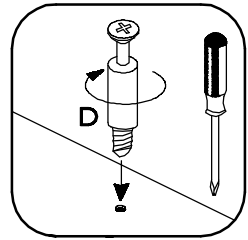


**1****2****3**





# 4

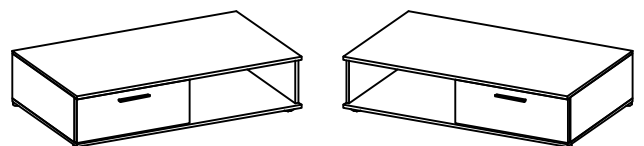
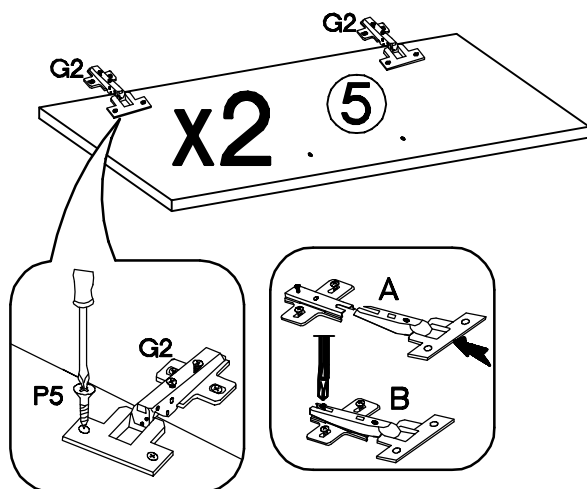
		
C	A	D2
24	24	24

	
P14	F10
10	10

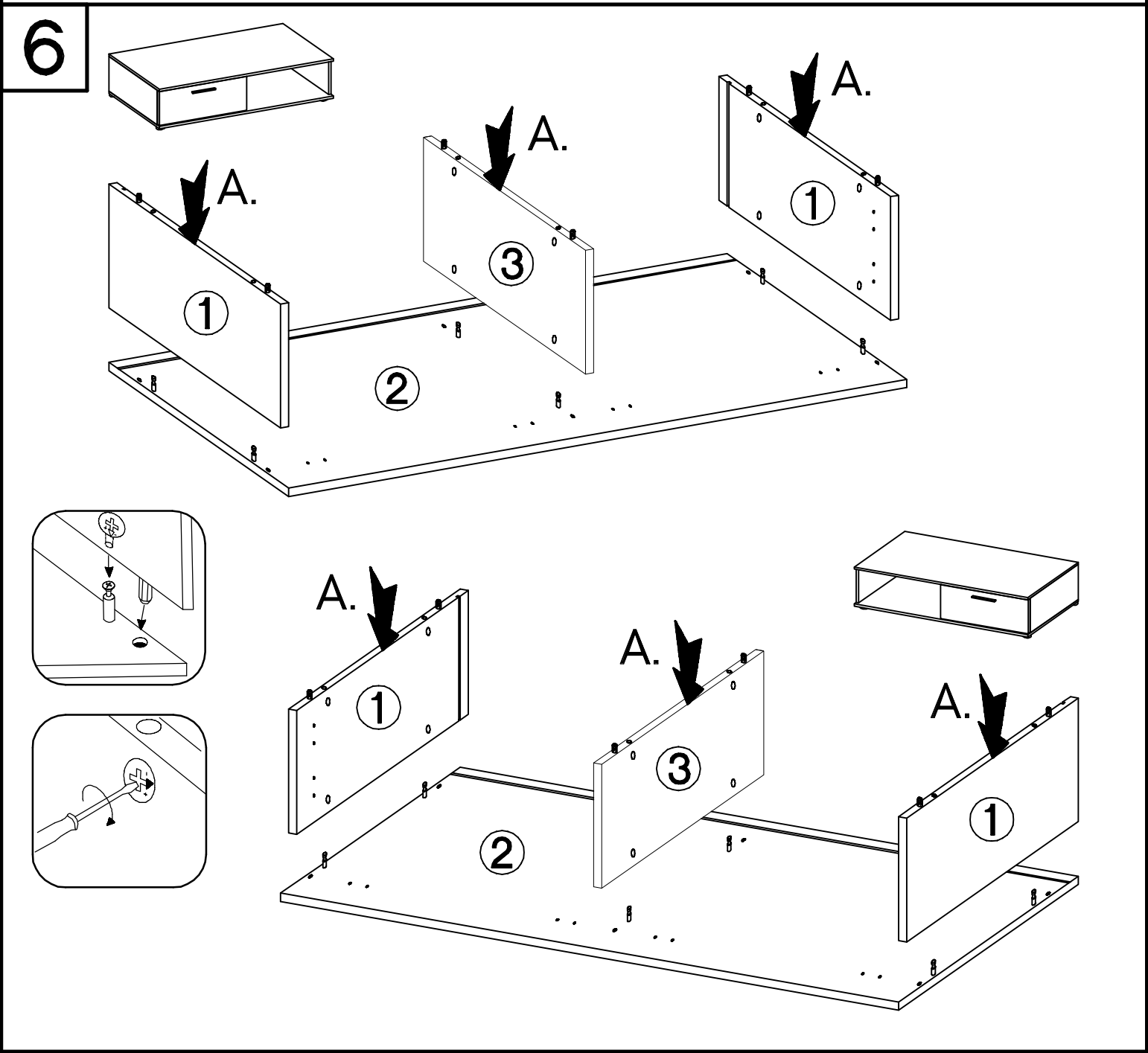
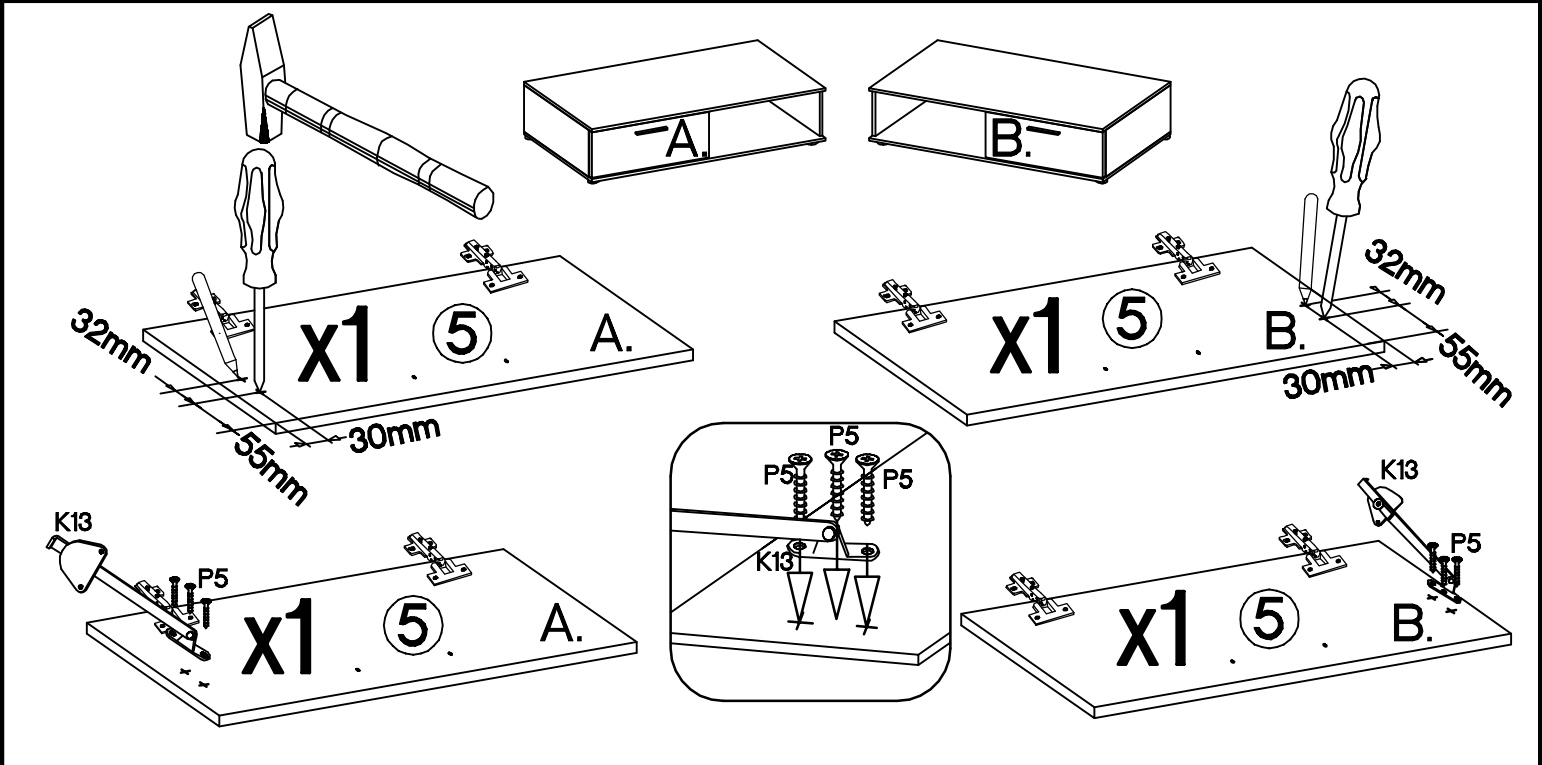


# 5

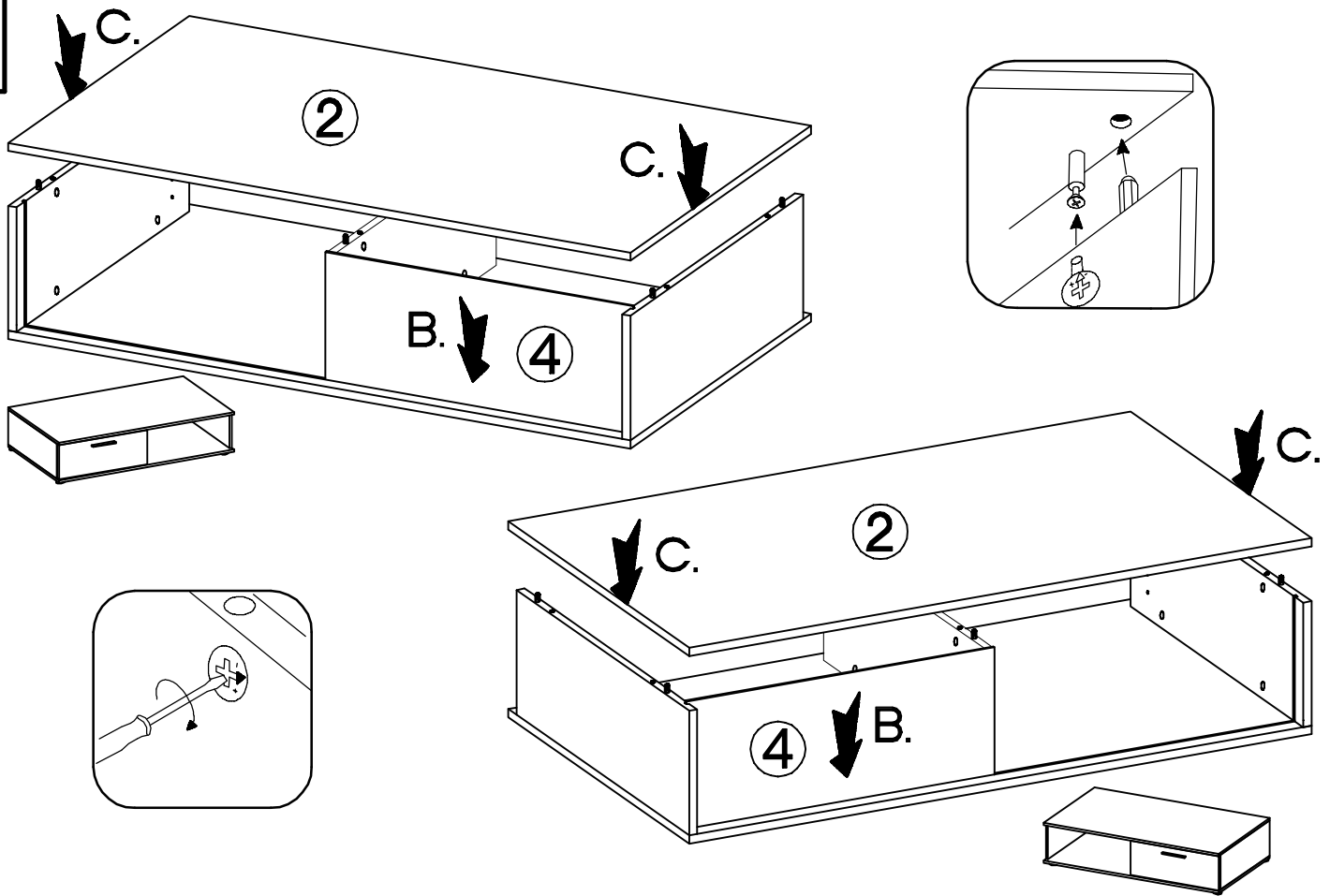
			
H	G2	P5	K13
4	4	14	2



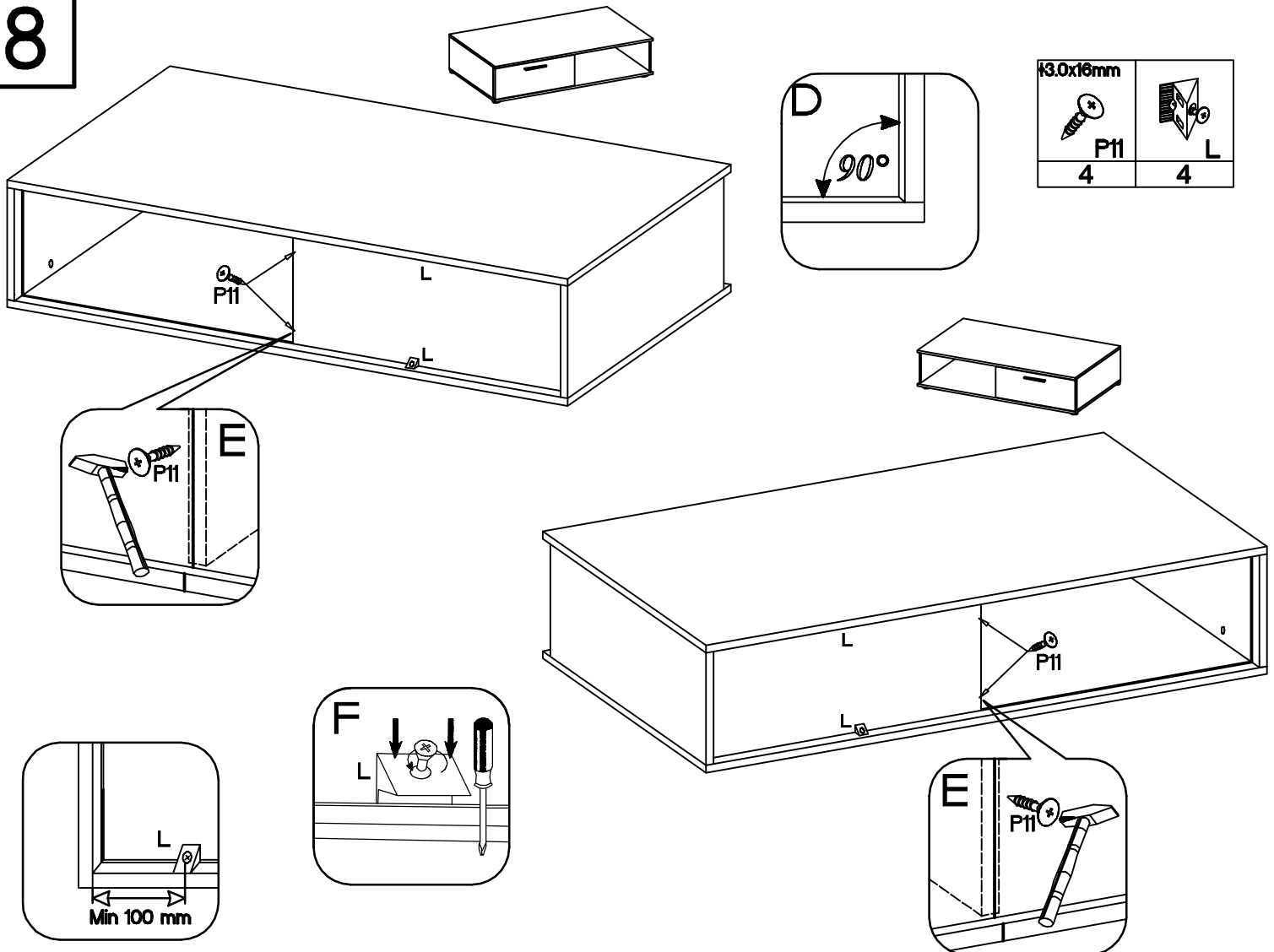










7

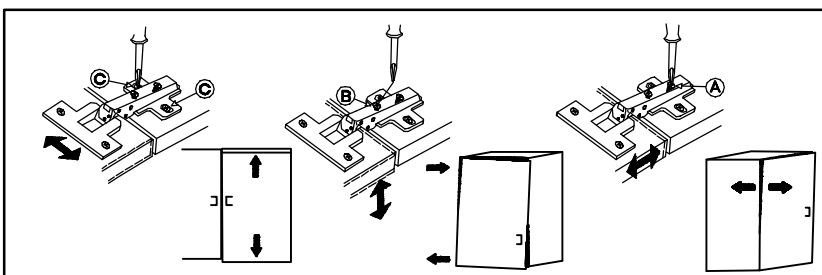
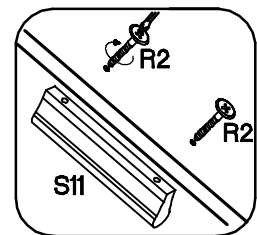
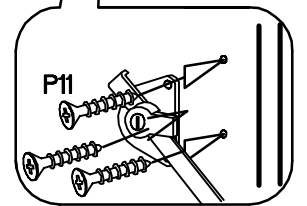
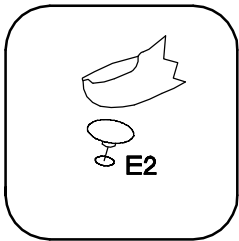
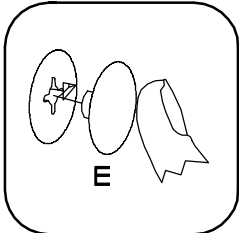
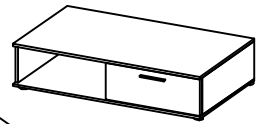
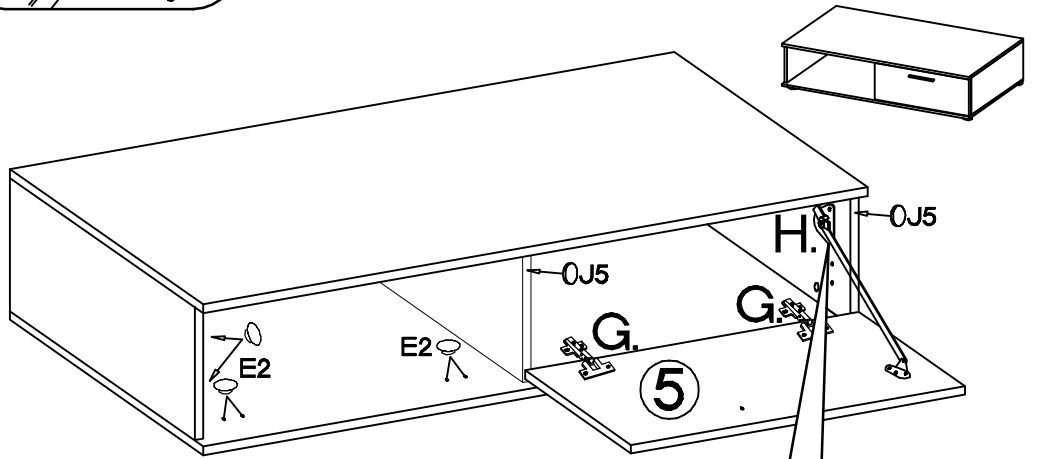
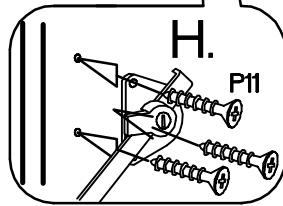
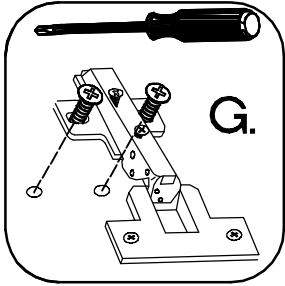
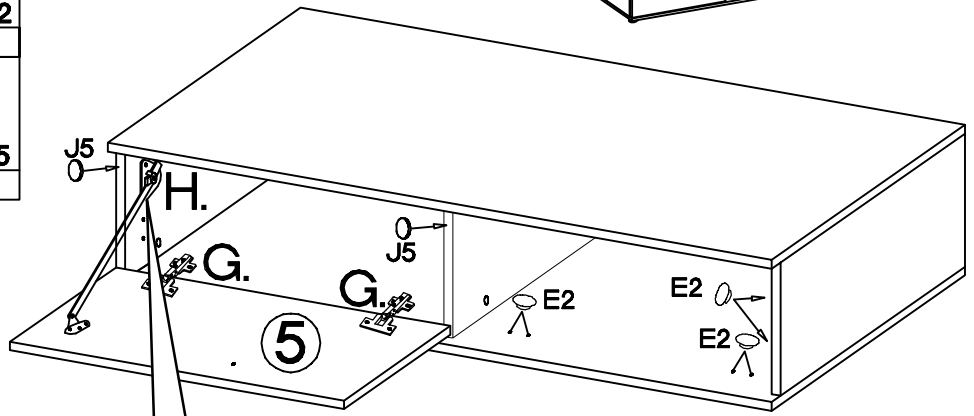
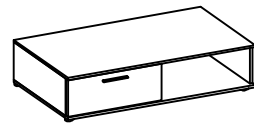


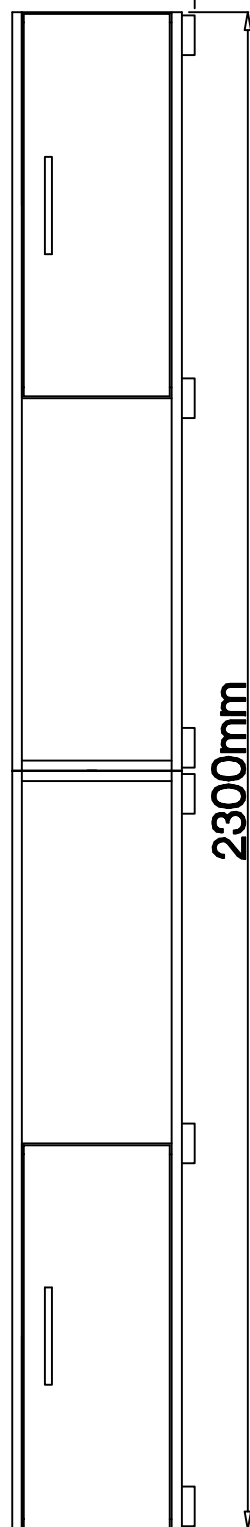
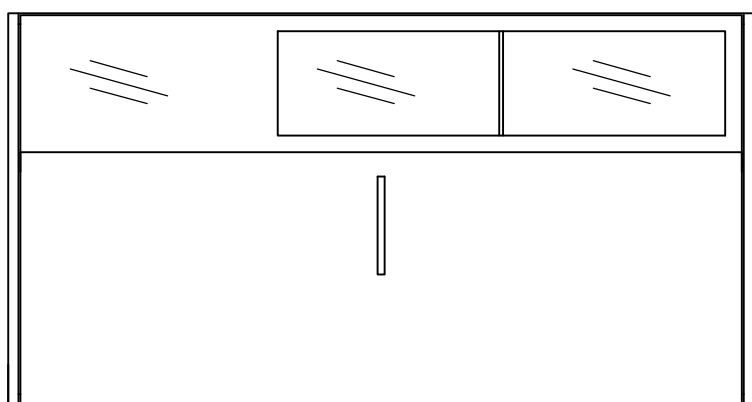
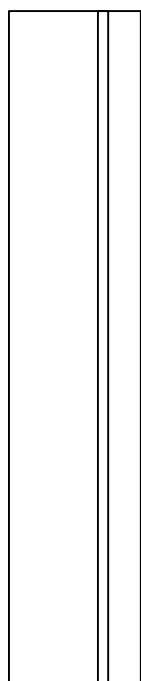
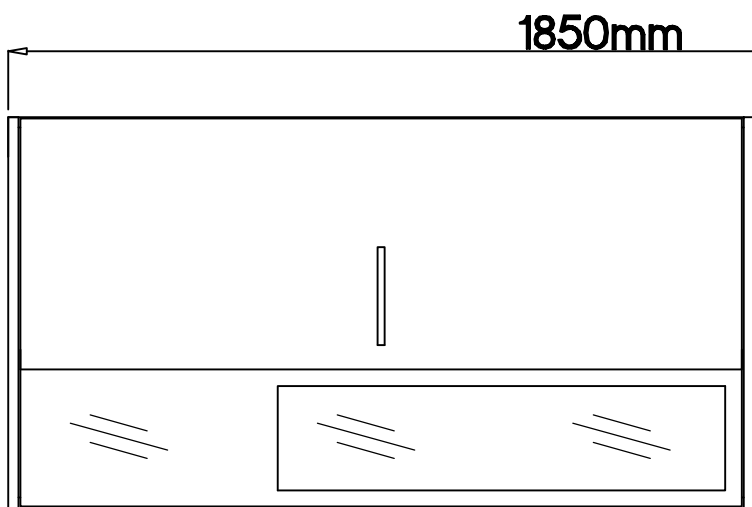
8



9

 E 24	 P11 6	 E2 16
 R2 4	 S11 2	 J5 4
#3.0x16mm		
#4.0x30mm		
L=128mm		





**SCHEMAT USTAWIENIA ZESTAWU**