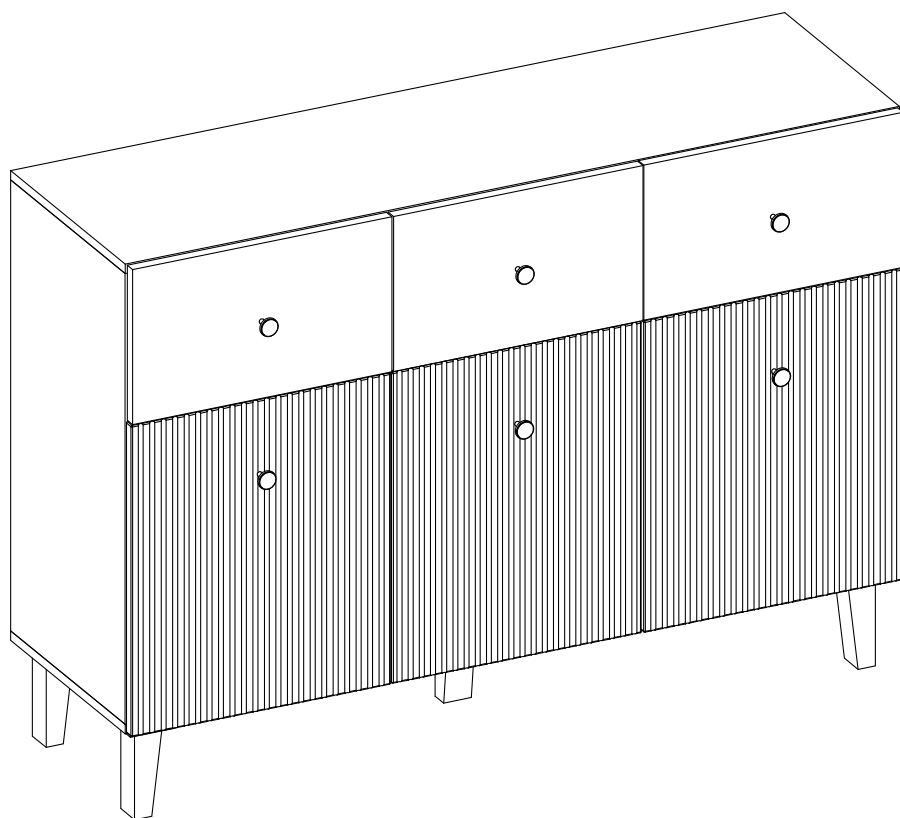
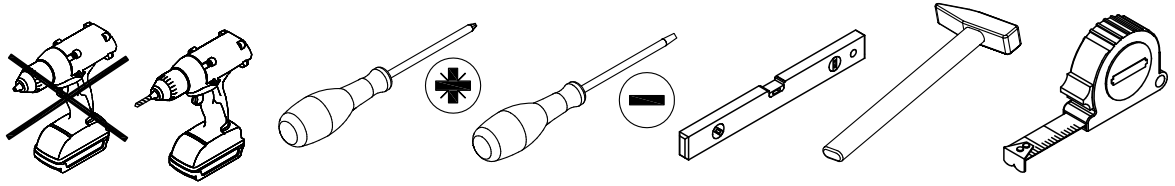
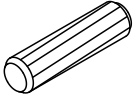
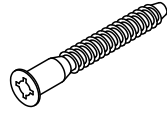

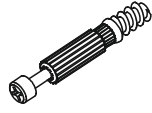
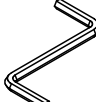

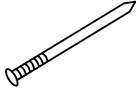
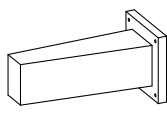
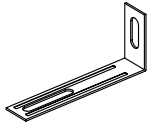


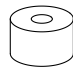

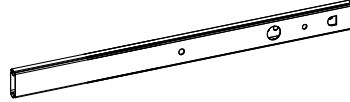
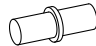
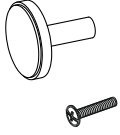

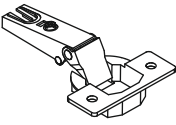


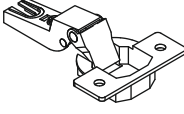

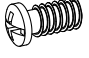


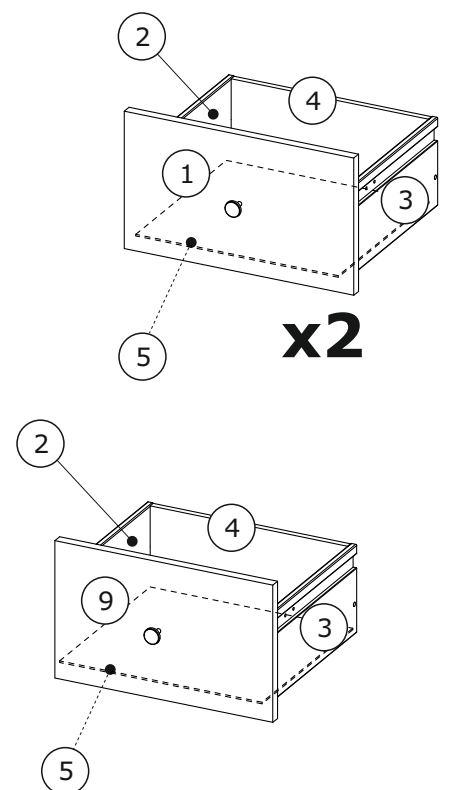
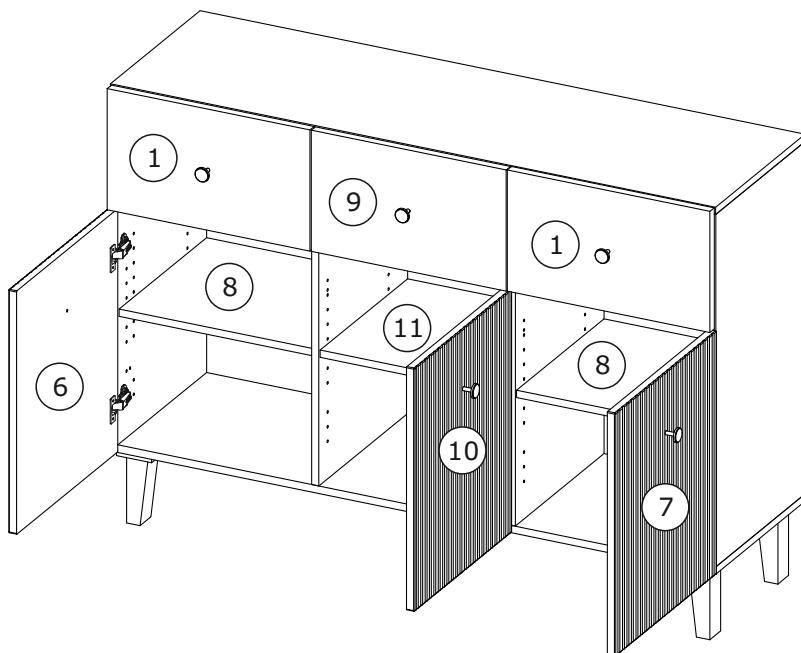
Berlin

Chest of drawers 3D3S



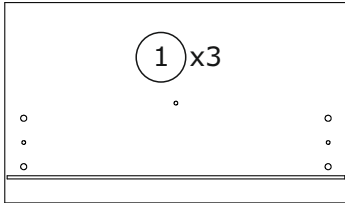


<p>A x 12</p>  <p>Ø6x30 mm</p>	<p>B x 6</p>  <p>Ø7x50 mm</p>	<p>C x 6</p>  <p>Ø15x10 mm</p>	<p>D x 6</p>  <p>Ø5x44 mm</p>	<p>E x 1</p>  <p>4 mm</p>	<p>F x 6</p>  <p>20 mm</p>
<p>G x 12</p>  <p>1,2x25 mm</p>	<p>H x 5</p> 	<p>I x 2</p>  <p>75x32 mm</p>	<p>J x 14</p>  <p>3,5x16 mm</p>	<p>K x 4</p>  <p>Ø6,3x20 mm</p>	<p>L x 4</p>  <p>8 mm</p>
<p>M x 8</p>  <p>Ø6,3x13 mm</p>	<p>N x 6</p>  <p>310 mm</p>		<p>O x 12</p>  <p>Ø5mm</p>	<p>P x 6</p> 	<p>Q x 6</p>  <p>4x9 mm</p>
<p>R x 4</p> 	<p>S x 4</p> 	<p>T x 20</p>  <p>4x20 mm</p>	<p>T x 2</p> 	<p>U x 2</p> 	<p>W x 4</p>  <p>Ø6,3x13 mm</p>

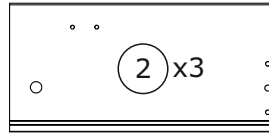




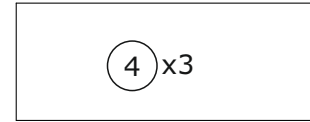
BOX 1/1:



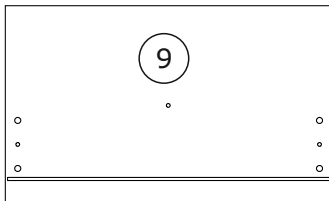
452x265x18 mm



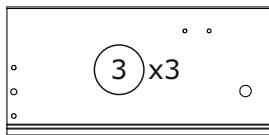
350x170x12 mm



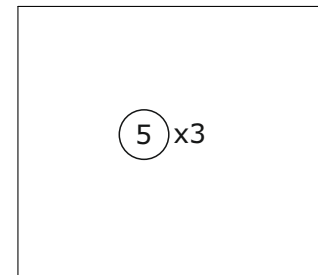
389x155x12 mm



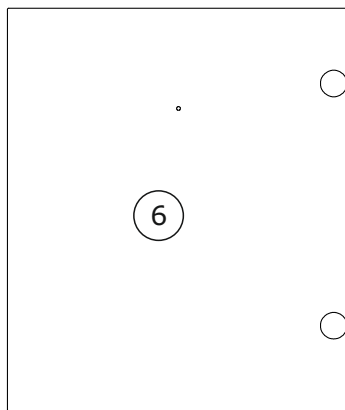
435x265x18 mm



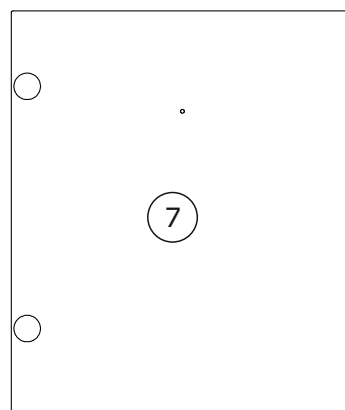
350x170x12 mm



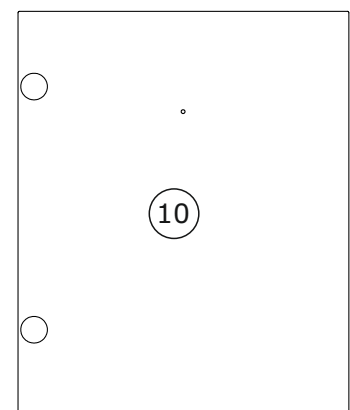
399x356x3 mm



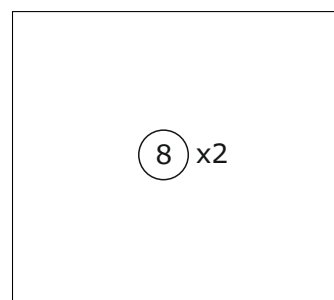
532x452x18 mm



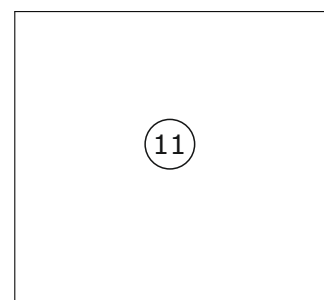
532x452x18 mm



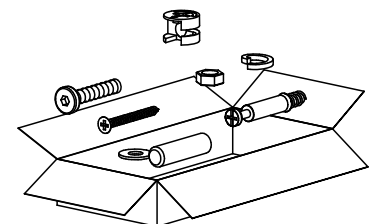
532x435x18 mm



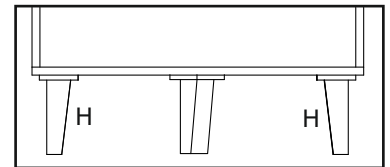
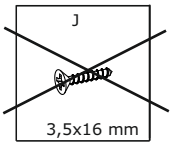
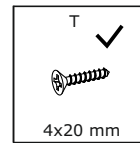
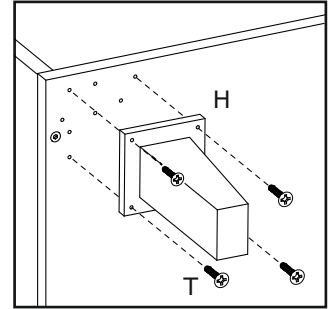
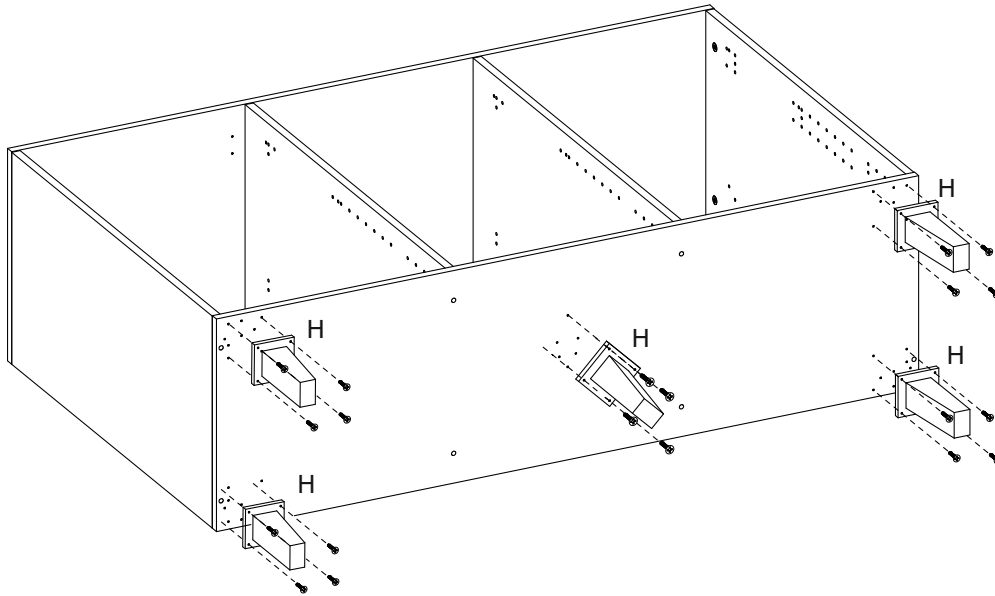
431x390x16 mm



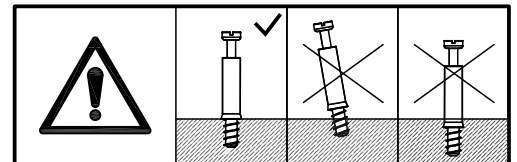
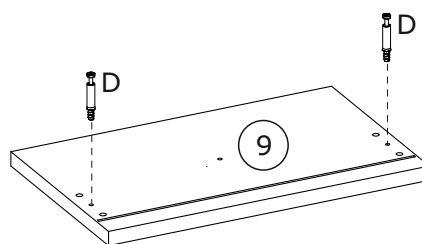
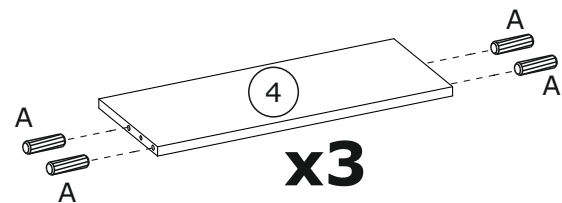
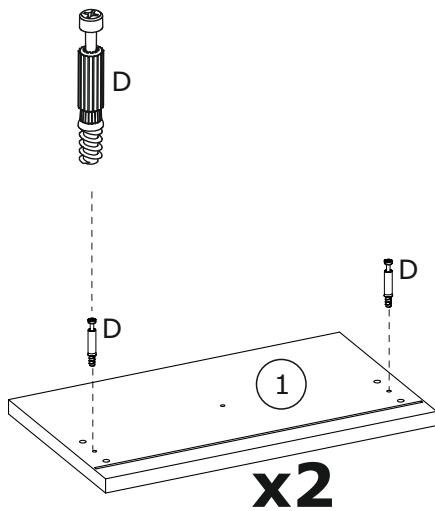
422x390x16 mm



1

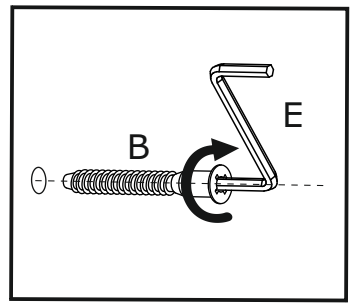
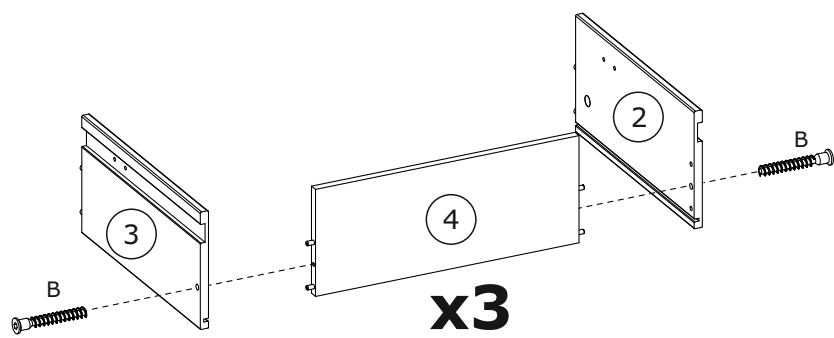
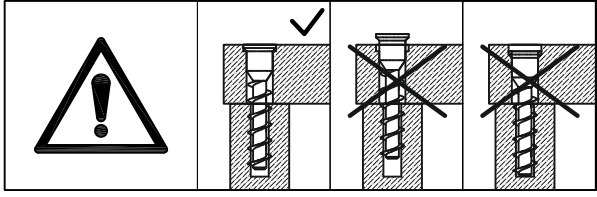


2



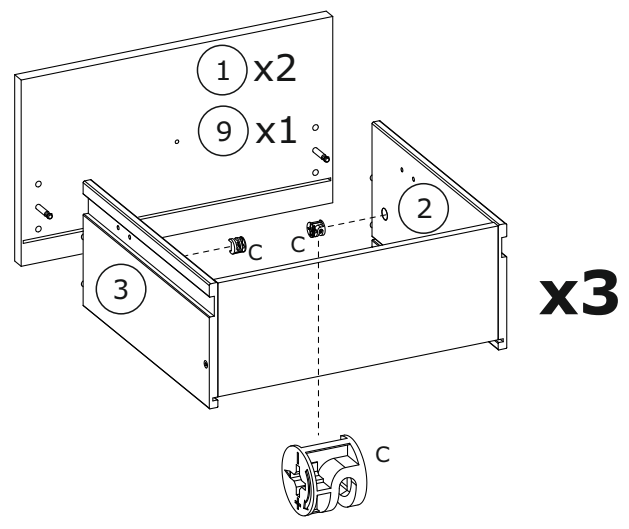
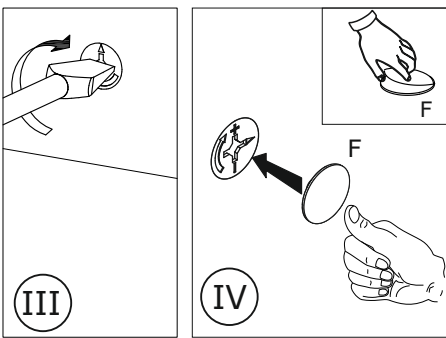
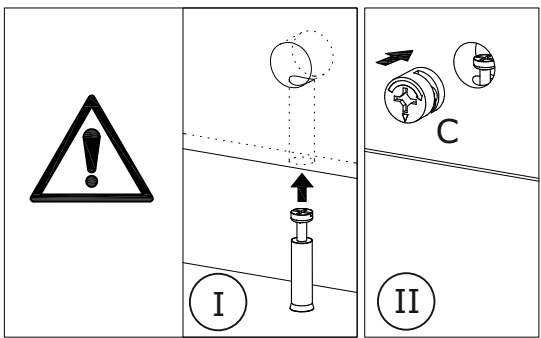
3

B x 6  Ø7x50 mm	E x 1  ● 4 mm	
--	--	--

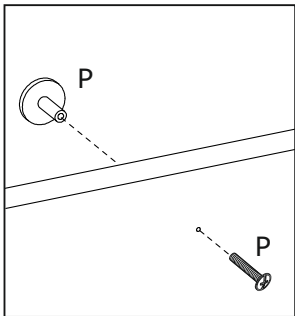
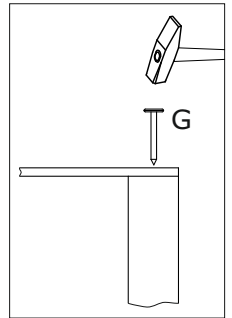
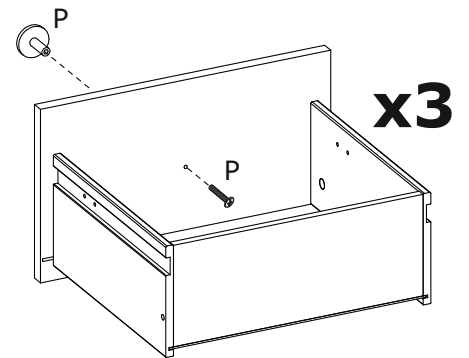
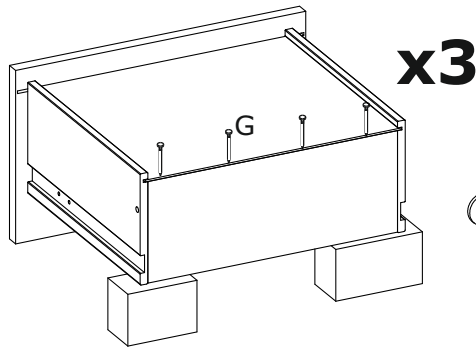
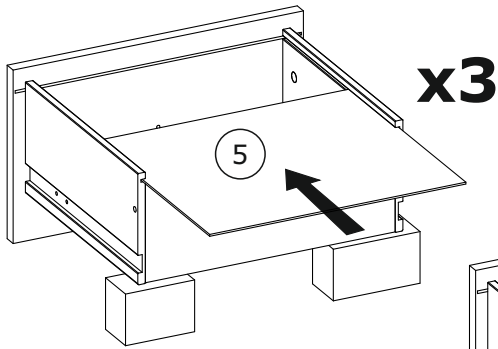


4

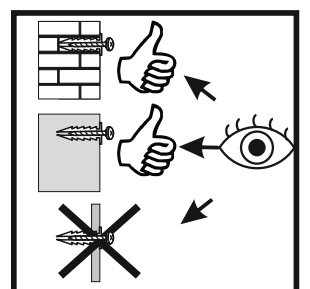
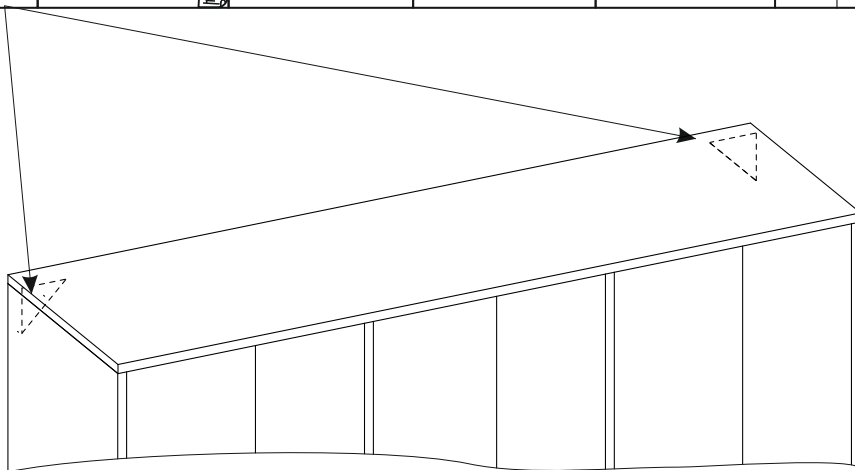
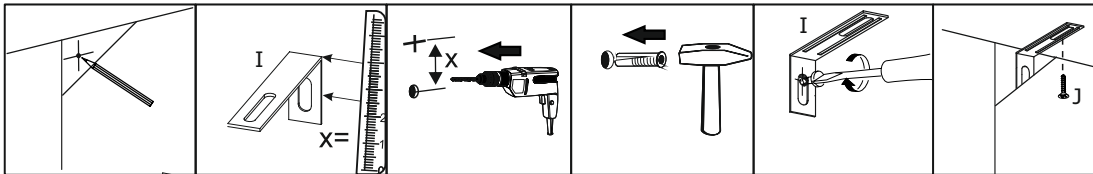
C x 6  Ø15x10 mm	F x 6  20 mm	
---	---	---



5



6

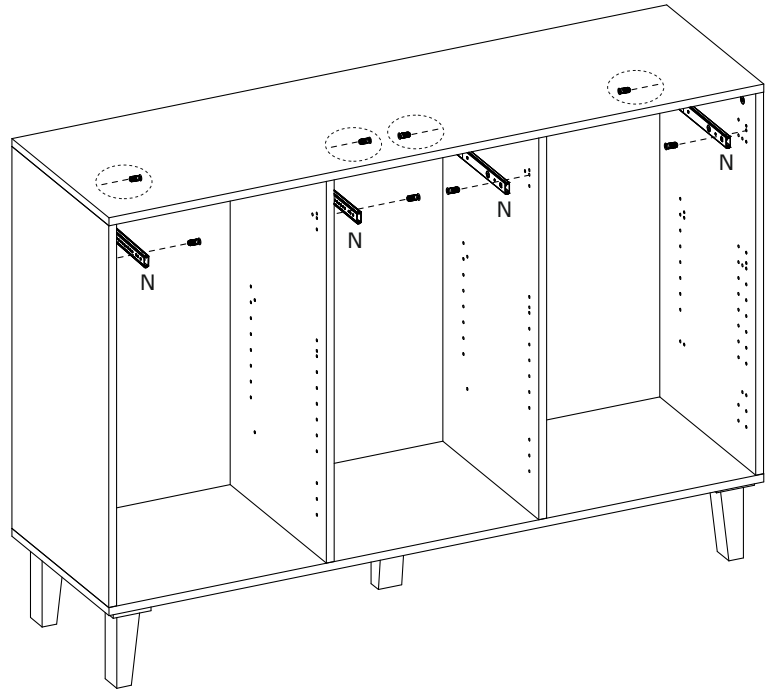
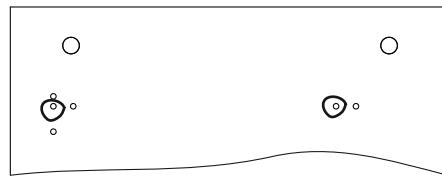
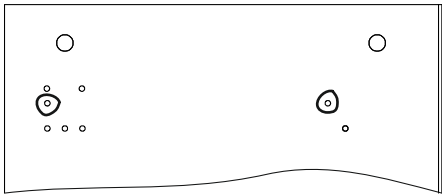
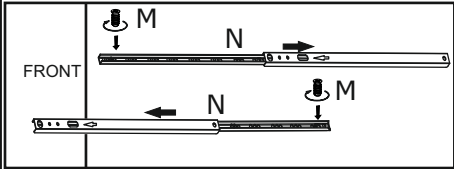
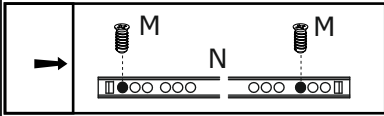
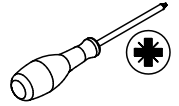
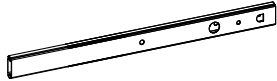


7

M x 8
Ø6,3x13 mm



N x 4
310 mm



8

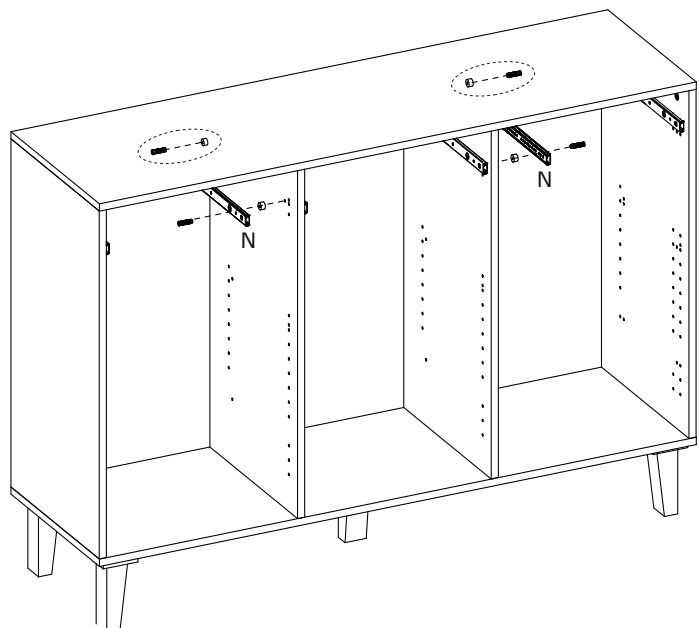
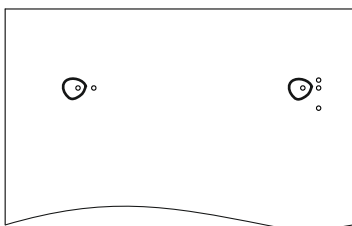
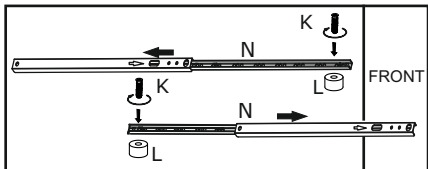
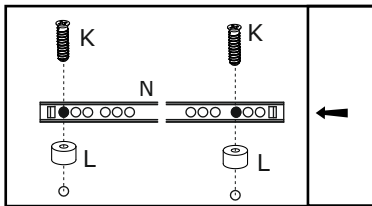
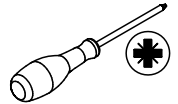
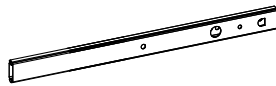
K x 4
Ø6,3x20 mm



L x 4
8 mm



N x 2
310 mm

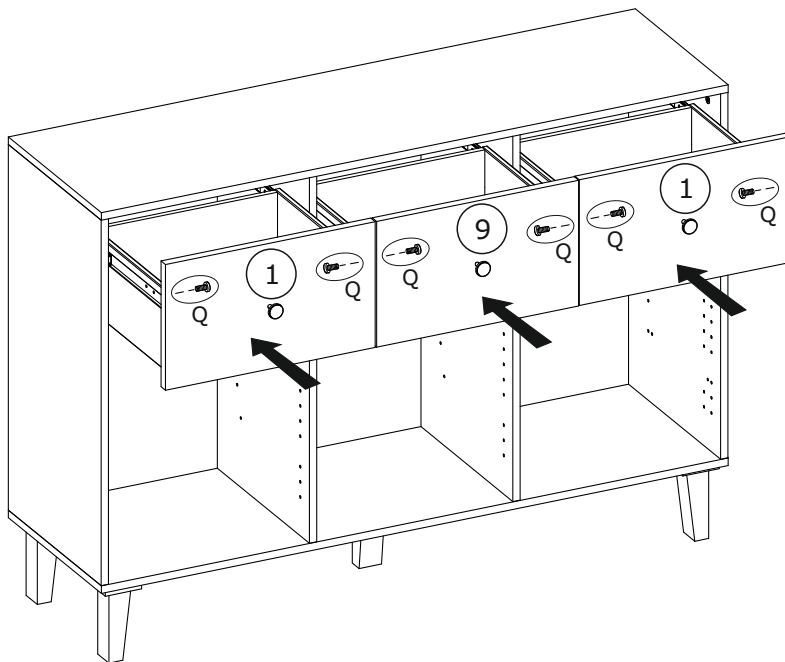
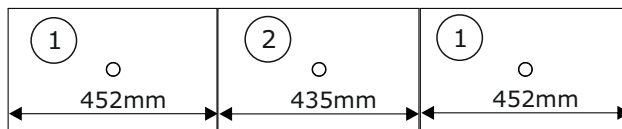
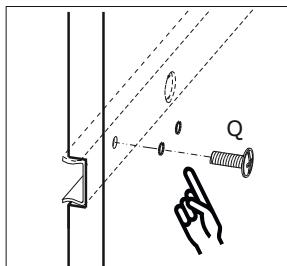
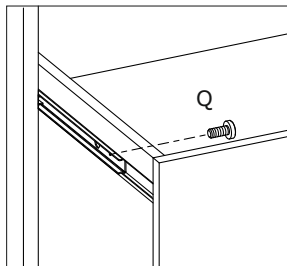
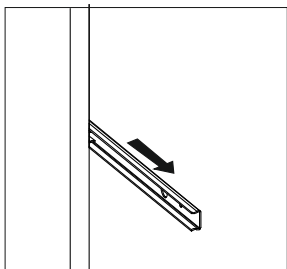
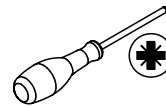


9

Q x 6



4x9 mm

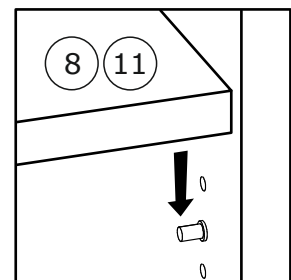
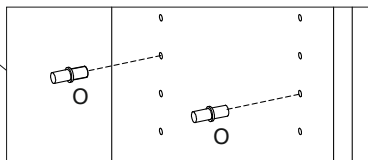
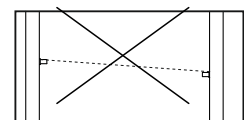
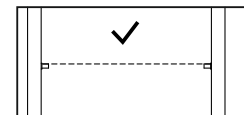
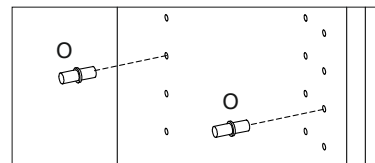
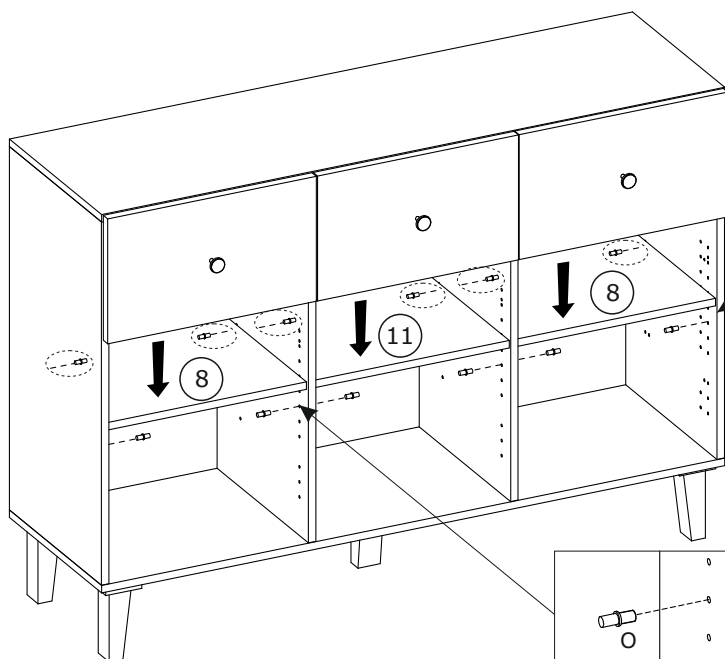


10

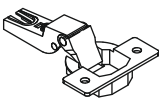


O x 12

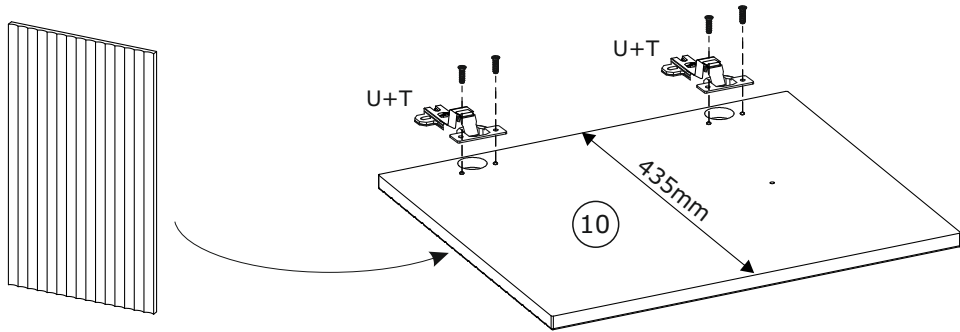
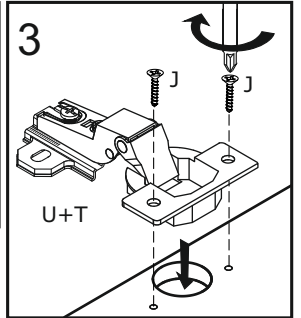
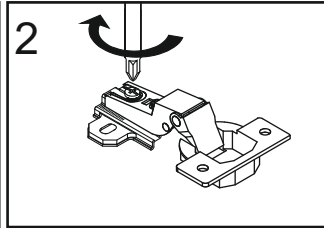
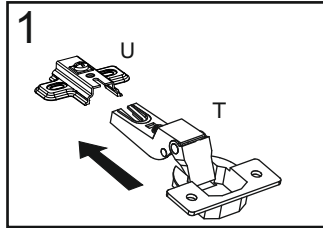
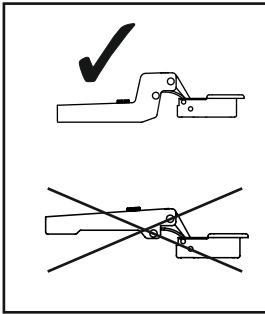


Ø6,3x13 mm



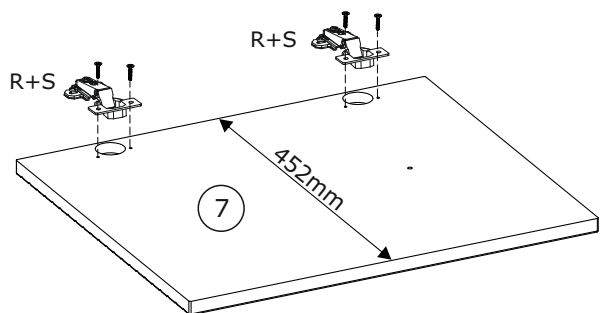
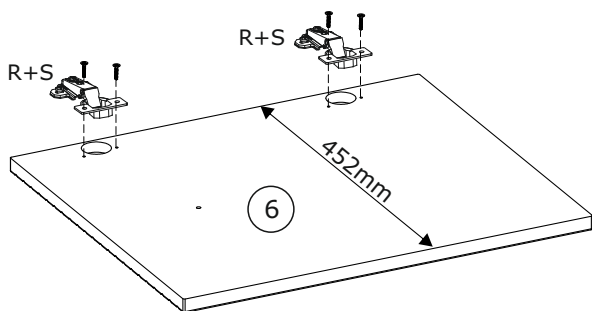
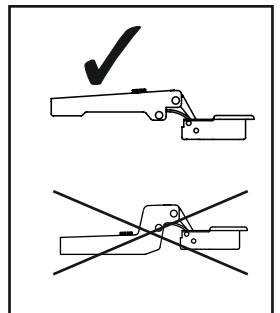
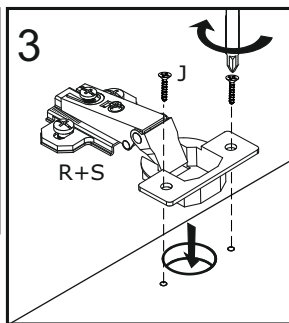
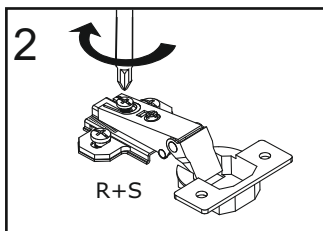
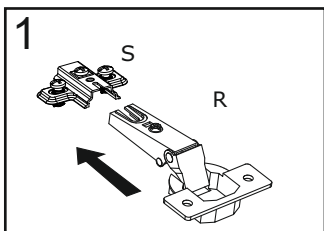
11

T x 2 	U x 2 	J x 4  3,5x16 mm	
--	--	---	--



12

R x 4 	S x 4 	J x 8  3,5x16 mm	
--	--	---	---



13

P x 3



W x 4



Ø6,3x13 mm

