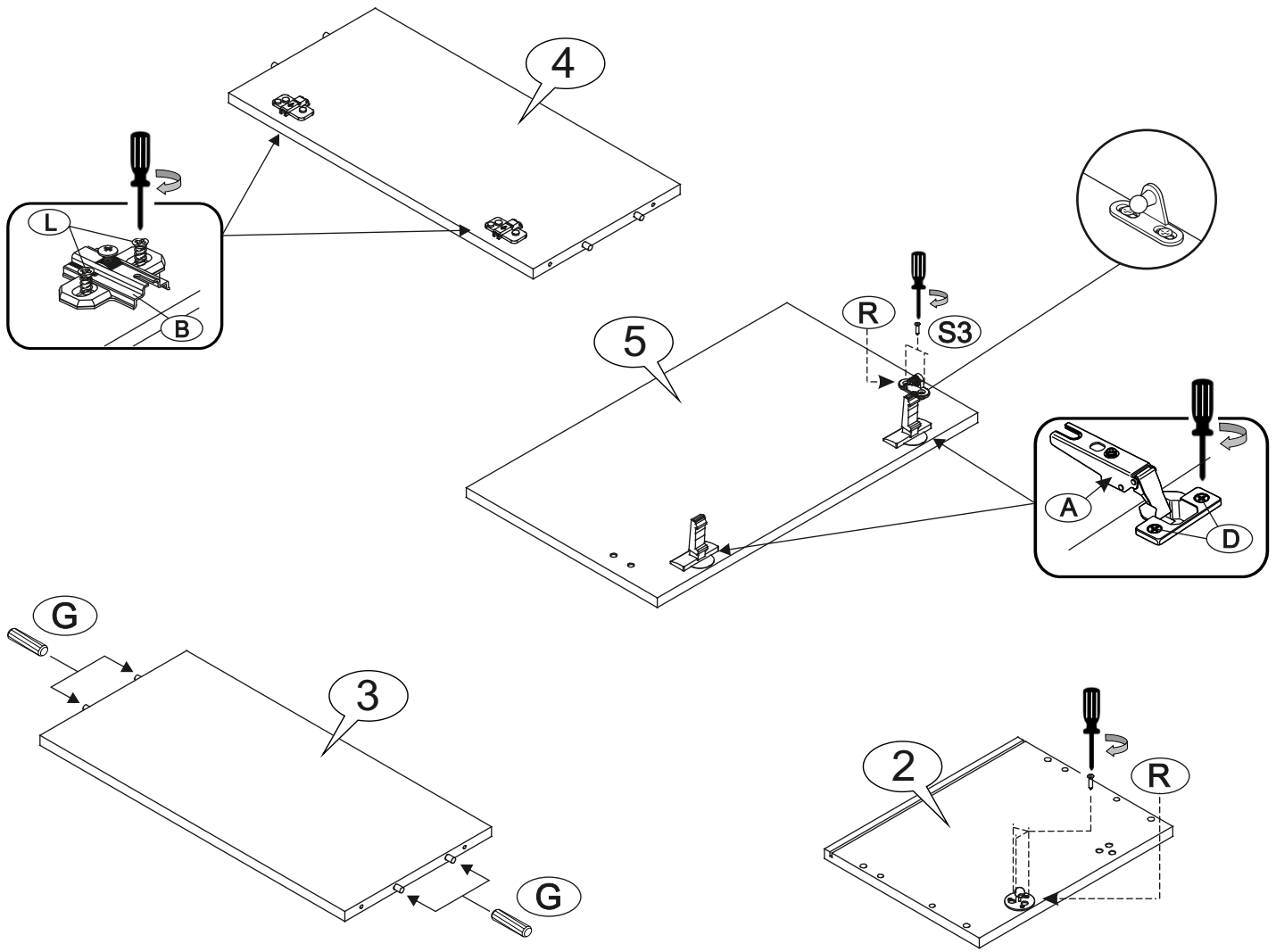
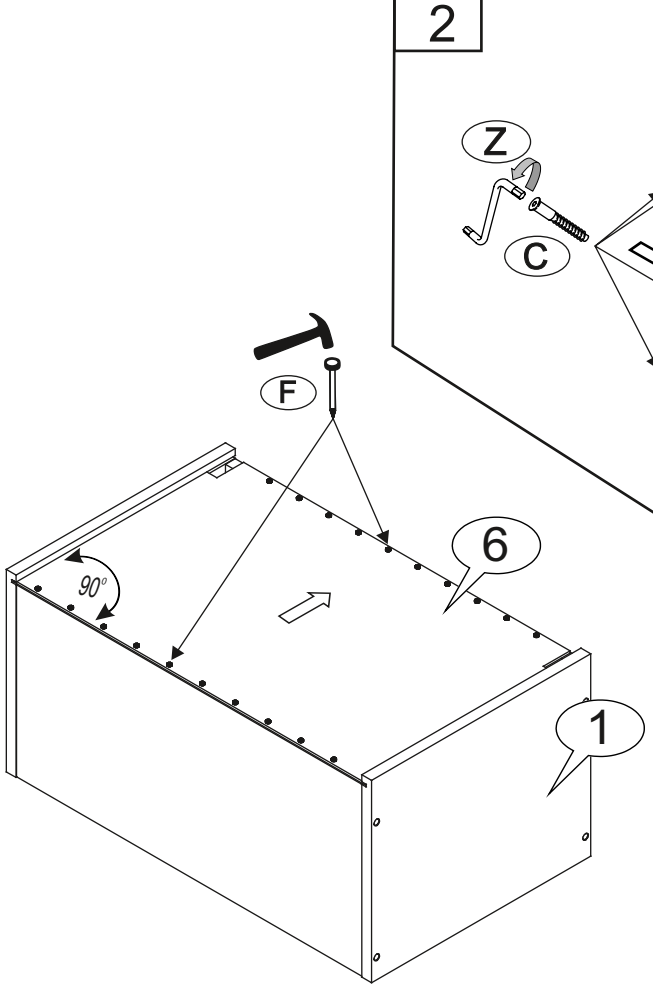


355 x 596

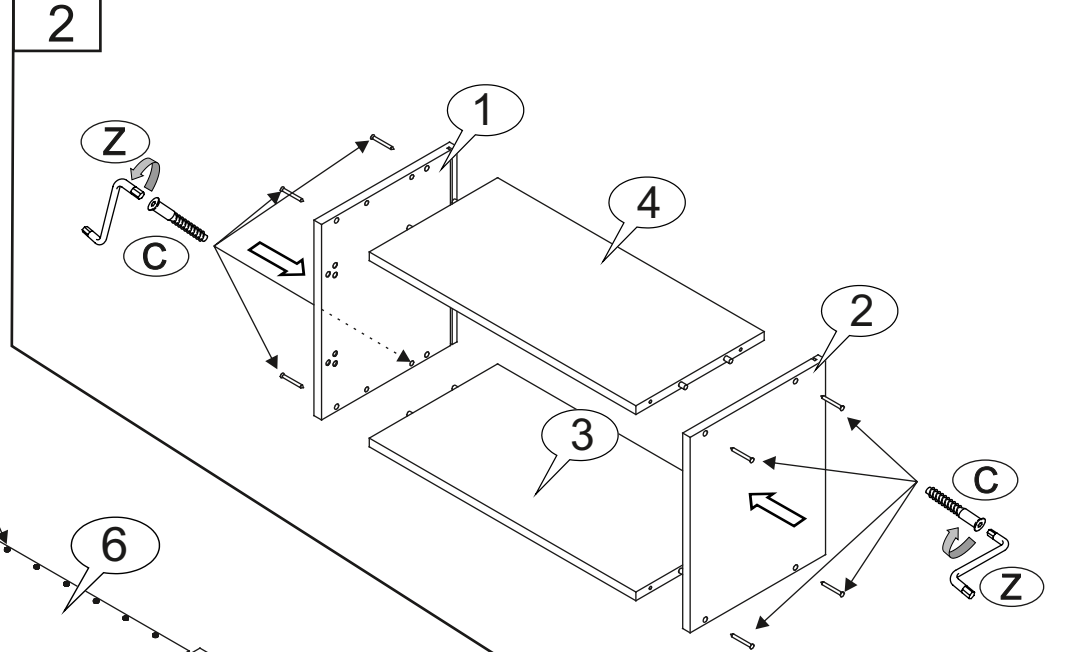
1

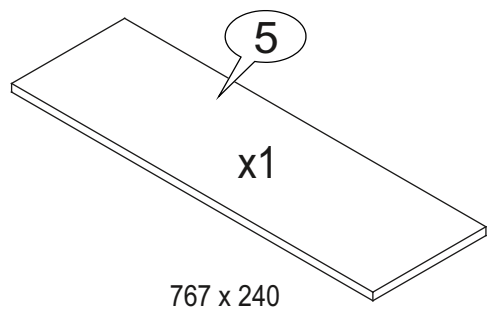
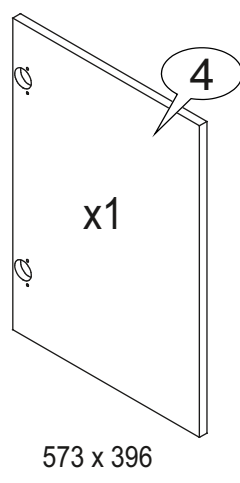
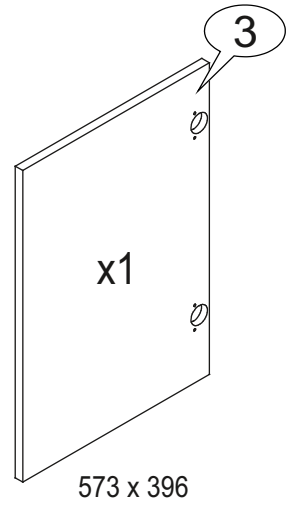
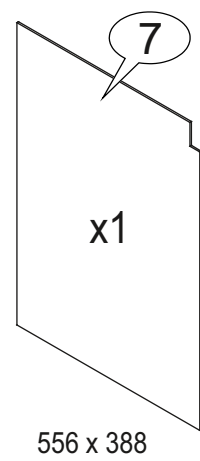
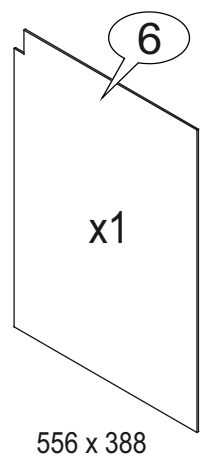
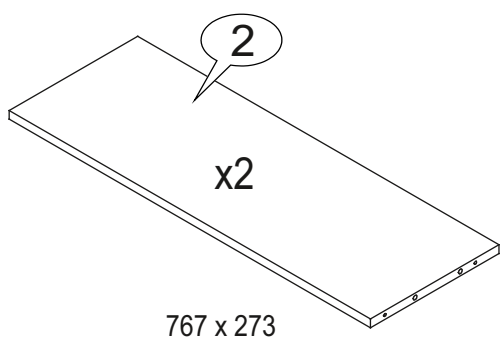
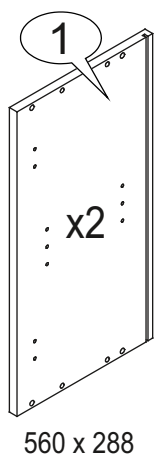
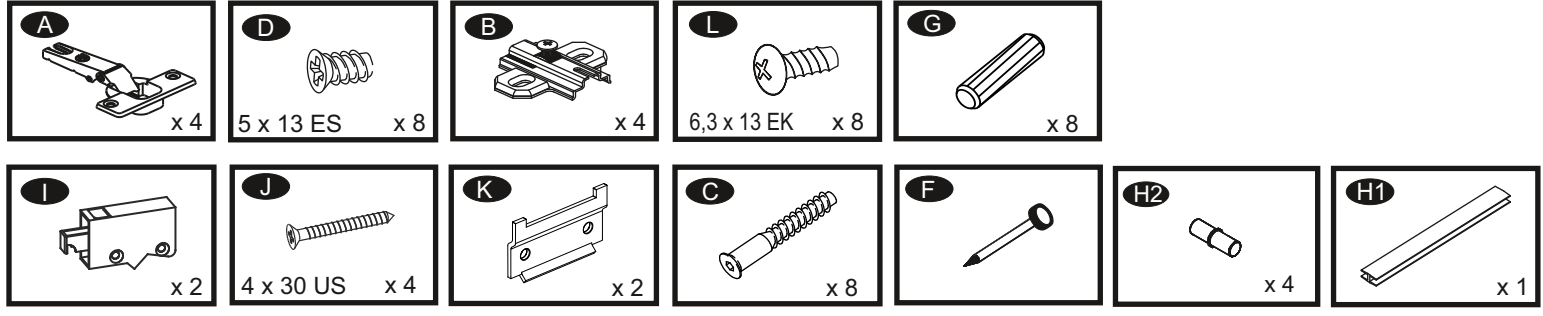
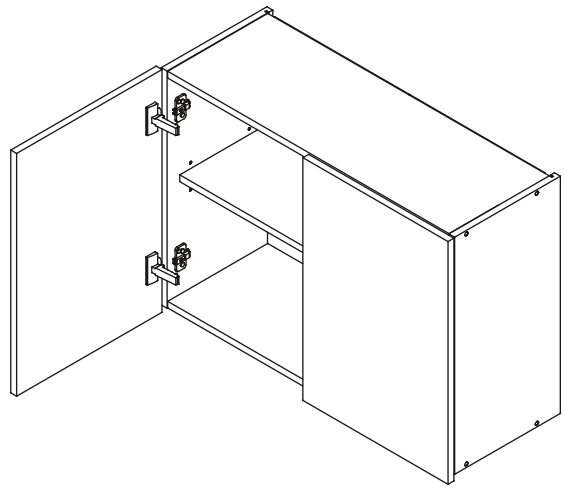
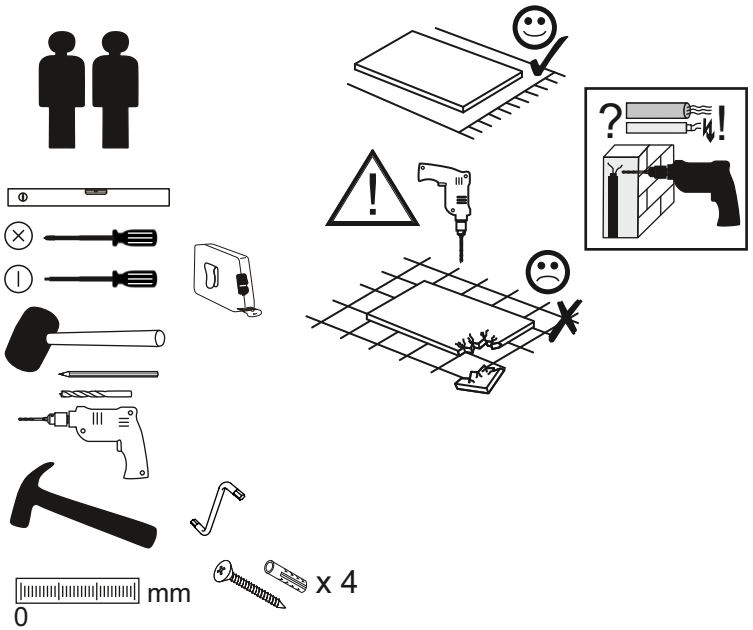


3

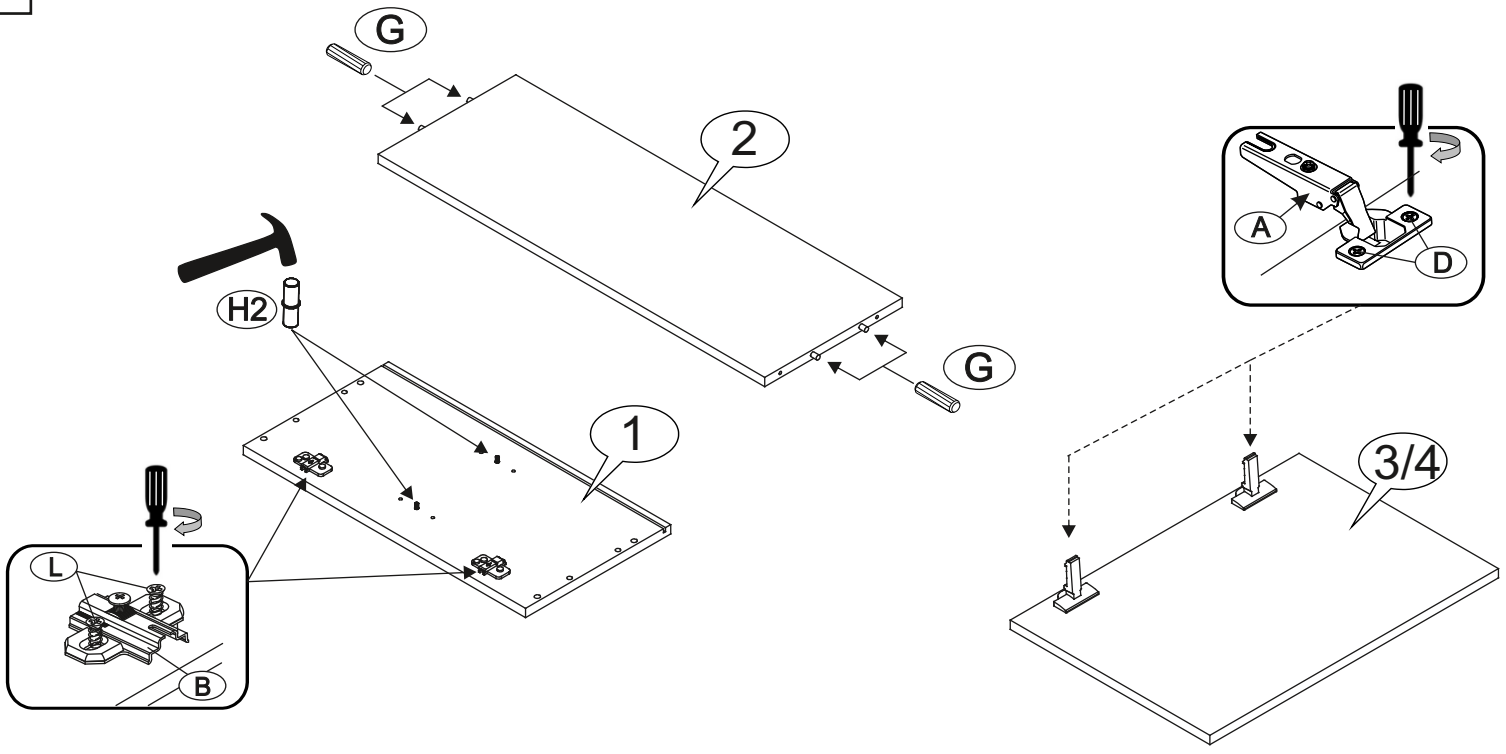


2

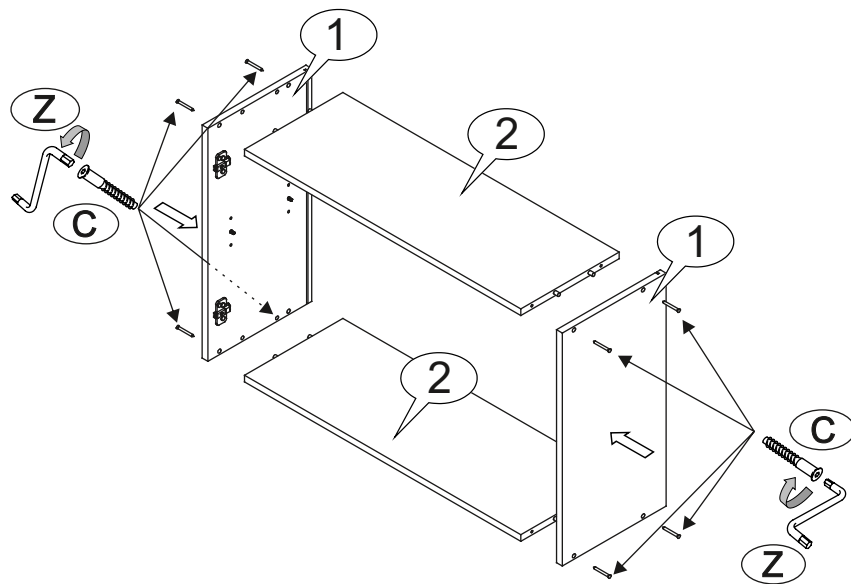




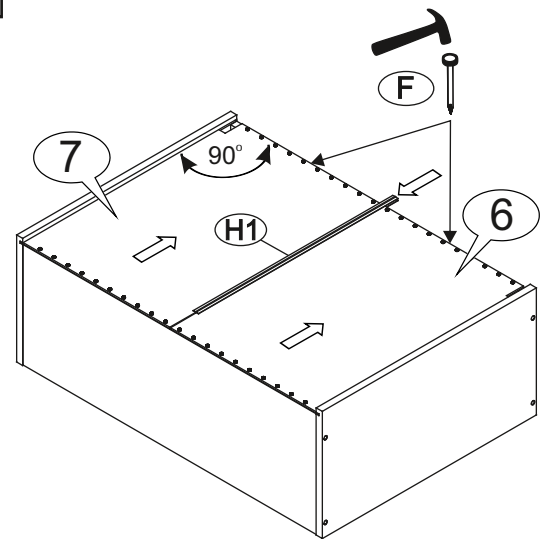
1



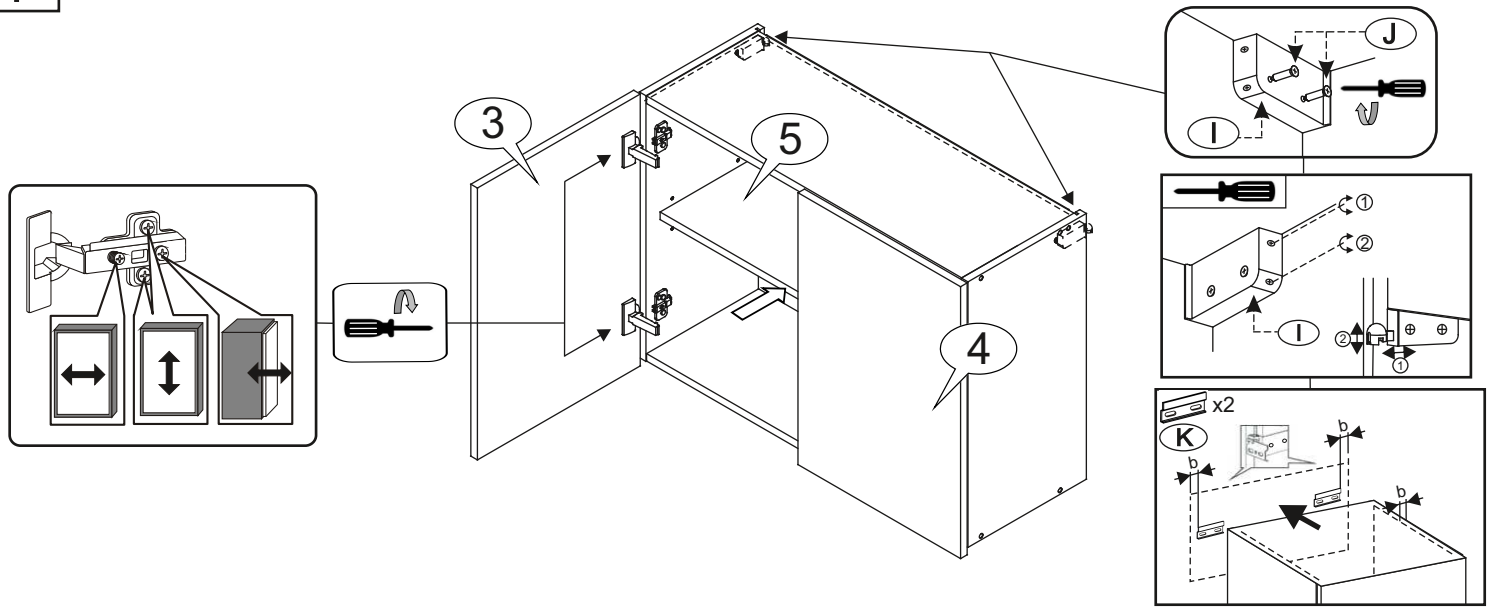
2

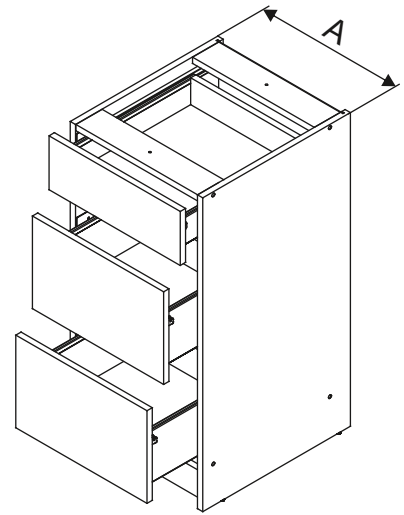
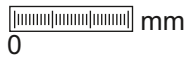
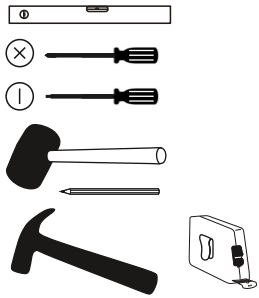
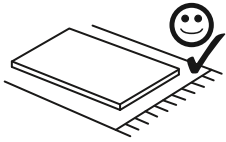


3

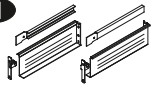
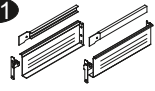
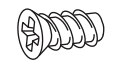

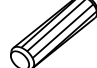

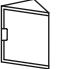
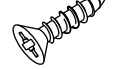
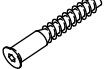





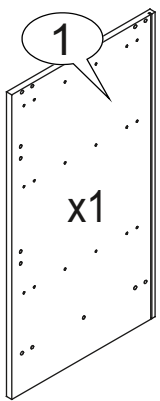
4



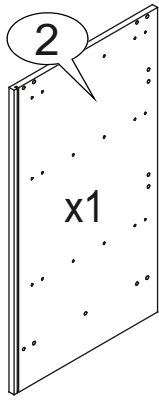


A = 400 mm

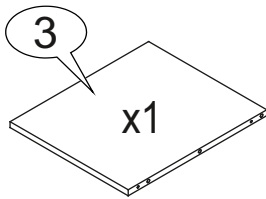
| | | | | | | |
|--|---|---|---|---|--|--|
| M  H - 86 x 1 kpl. | M1  H - 150 x 2 kpl. | Y  6,3 x 13ES x 18 | S3  4 x 12 UP x 36 | G  x 18 | | |
| P  x 4 | TR  x 2 | S2  4 x 16 US x 4 | C  x 8 | F  x 2 | BL  4 x 35 x 2 | Z  x 1 |



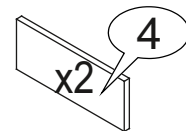
820 x 446



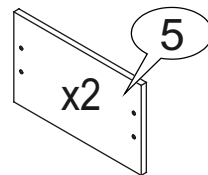
820 x 446



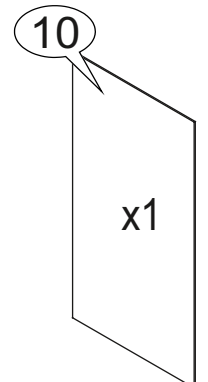
(A - 33 mm) x 431



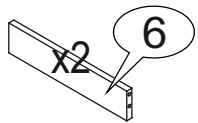
(A - 65 mm) x 135



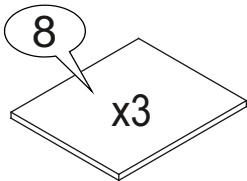
242 x (A - 4 mm)



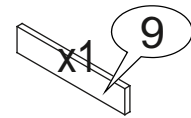
716 x (A - 22 mm)



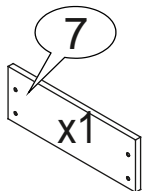
(A - 33 mm) x 80



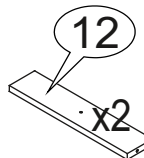
(A - 65 mm) x 397



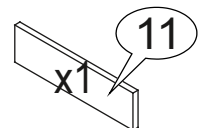
(A - 65 mm) x 70



141 x (A - 4 mm)

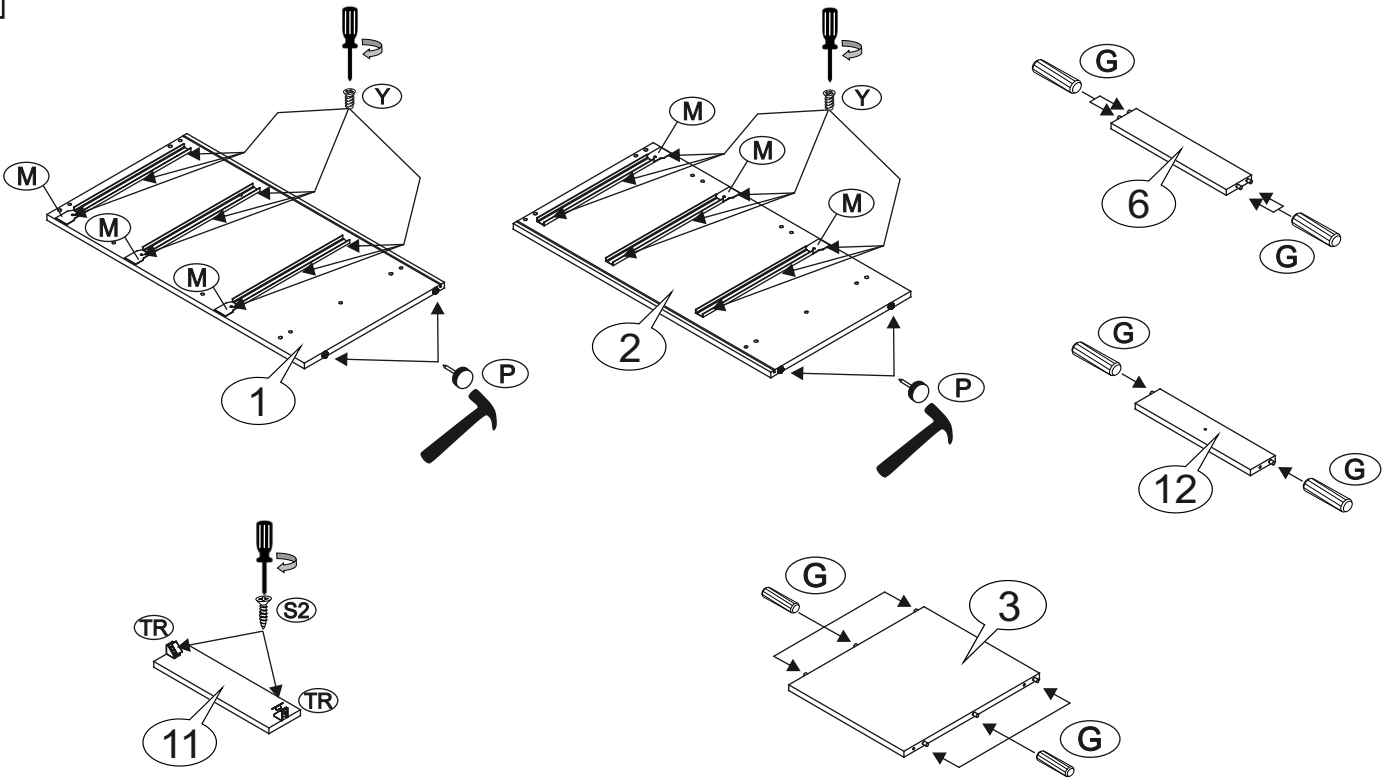


(A - 33 mm) x 79

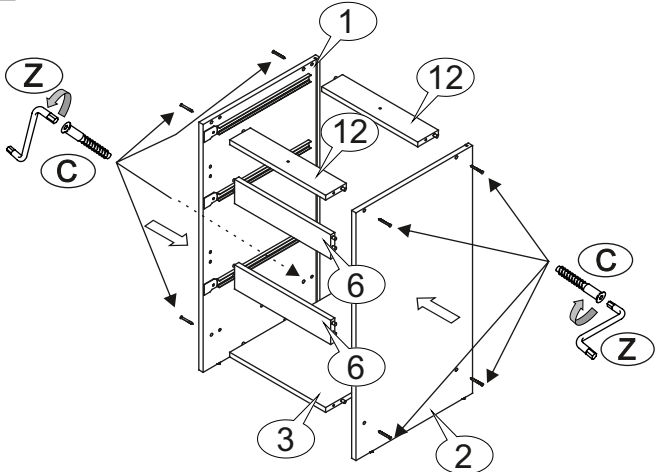


(A - 33 mm) x 100

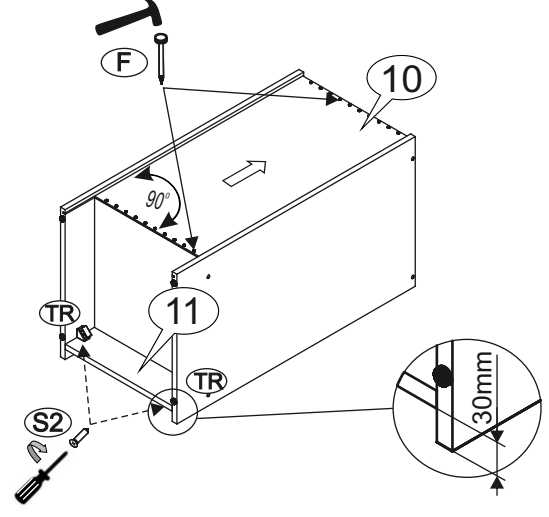
1



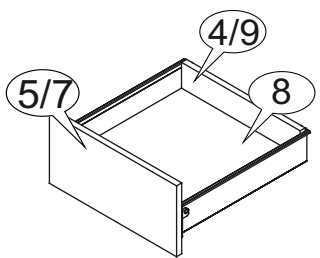
2



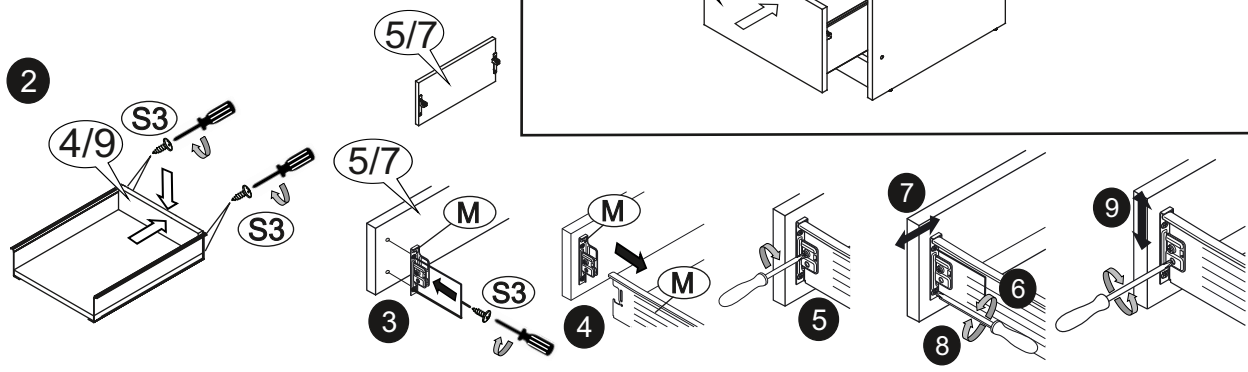
3



4



5



1

2

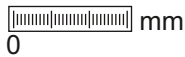
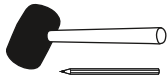
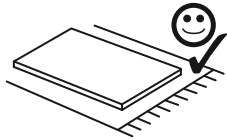
3

4

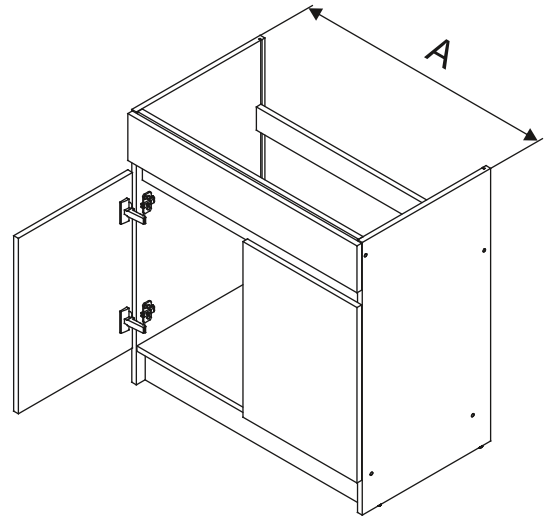
5

7

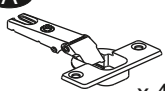

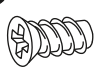

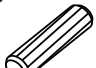



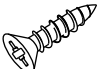
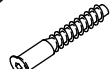



9

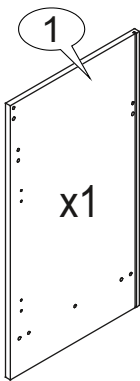


0

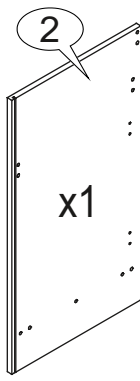


A = 800 mm

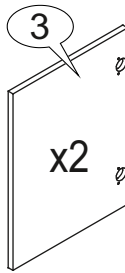
| | | | | | |
|--|---|---|--|---|--|
| A  x 4 | B  x 4 | D  5 x 13ES x 8 | L  6,3 x 13EK x 8 | G  x 14 | Z  x 1 |
| P  x 4 | TR  x 2 | S2  4 x 16 US x 4 | C  x 8 | F  x 1 | PD  x 3 |
| | | | | | J  4 x 30 US x 3 |



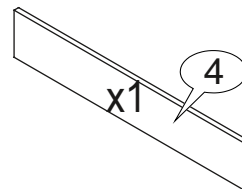
820 x 446



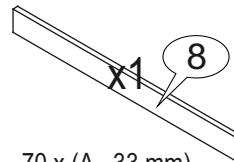
820 x 446



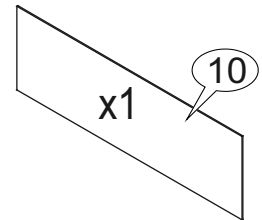
528 x (A/2) - 4 mm



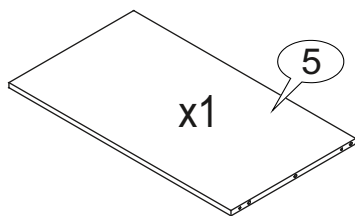
141 x (A - 4 mm)



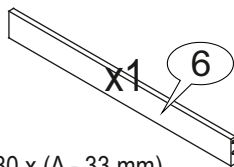
70 x (A - 33 mm)



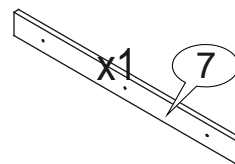
250 x (A - 22 mm)



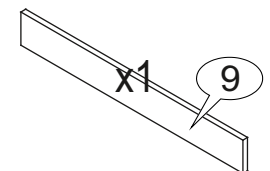
431 x (A - 33 mm)



80 x (A - 33 mm)

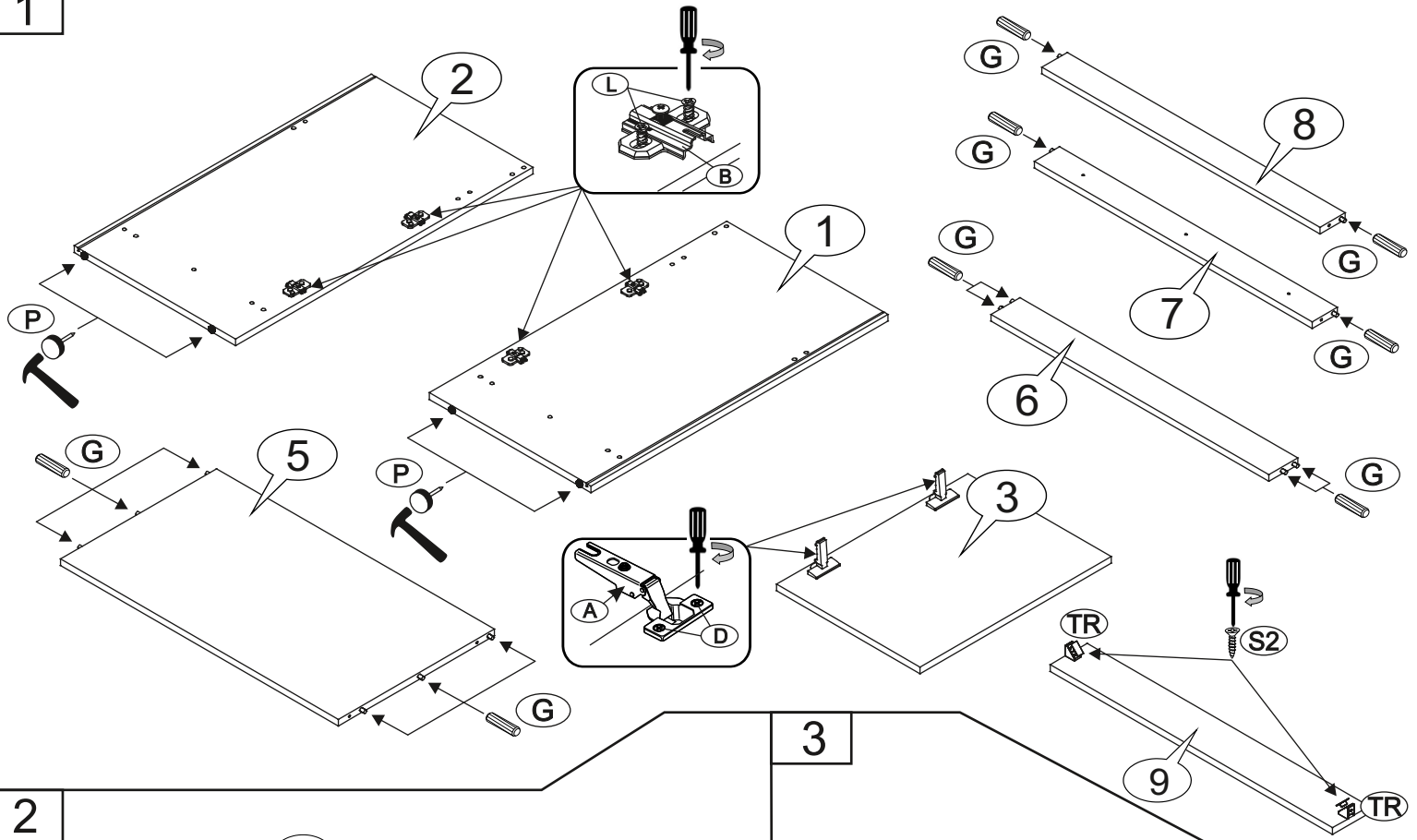


70 x (A - 33 mm)

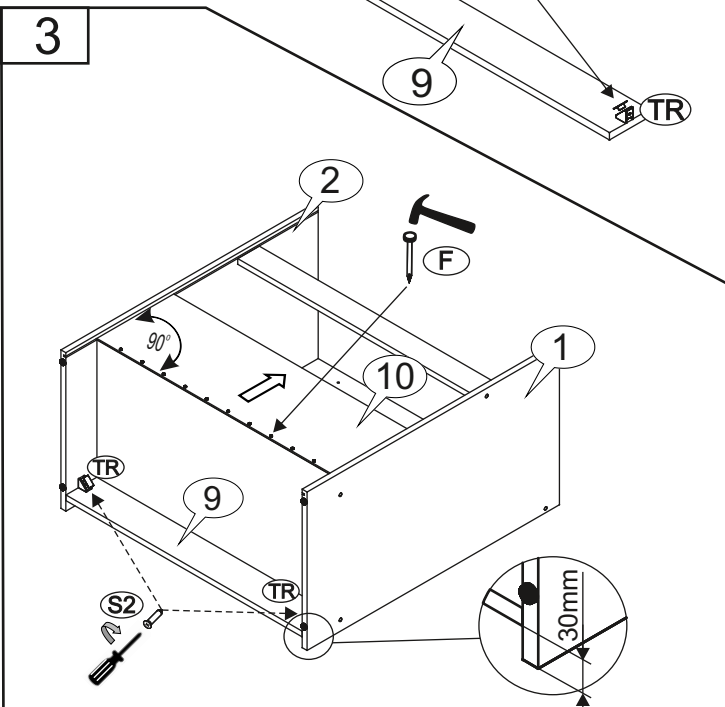
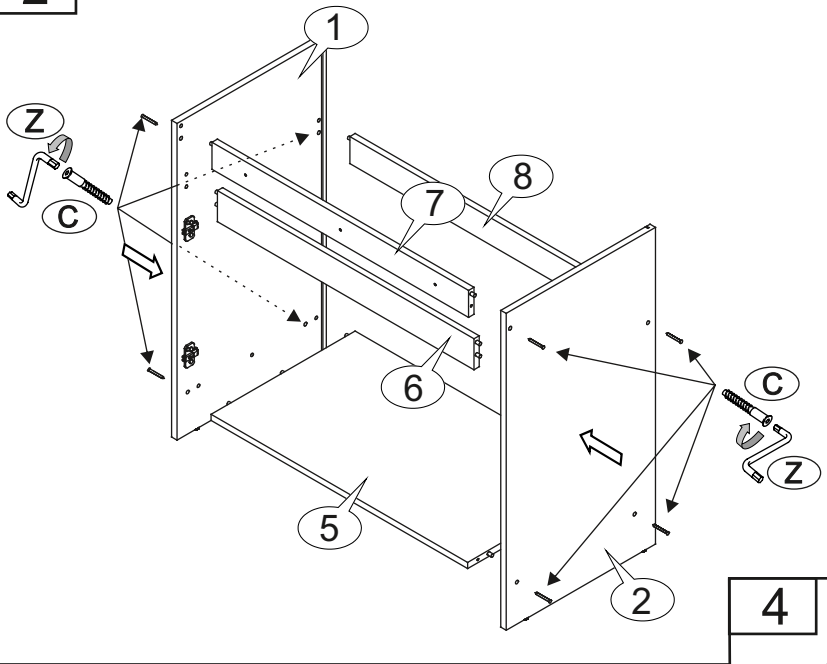


100 x (A - 33 mm)

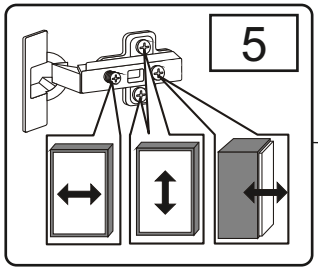
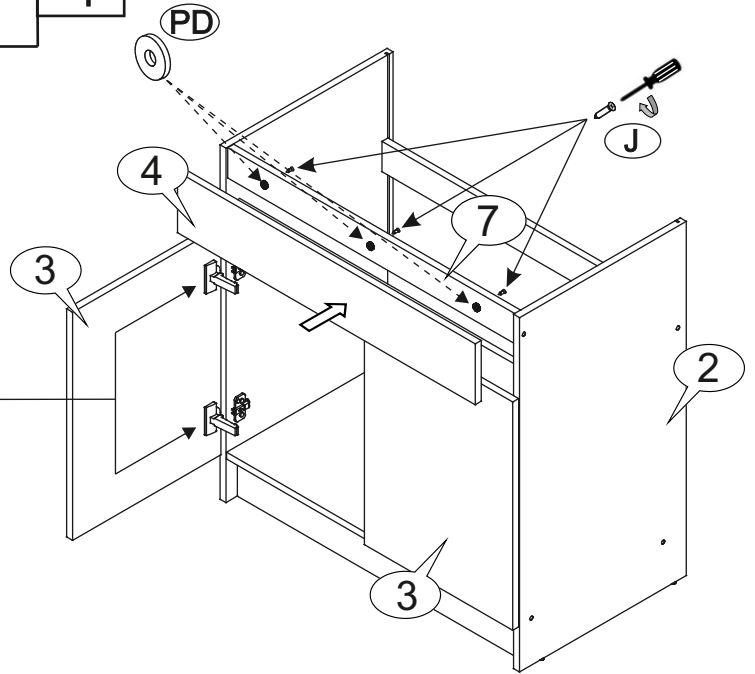
1

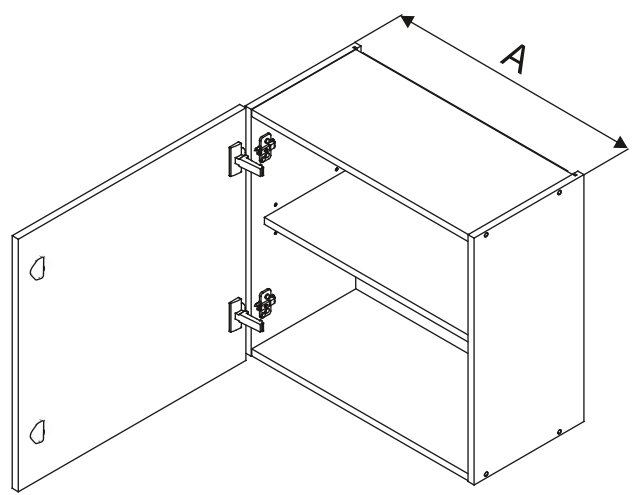
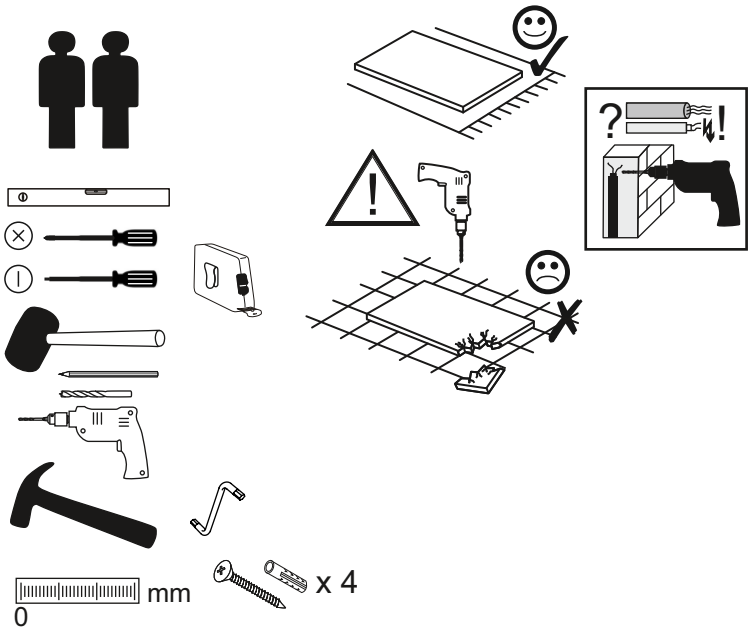


2

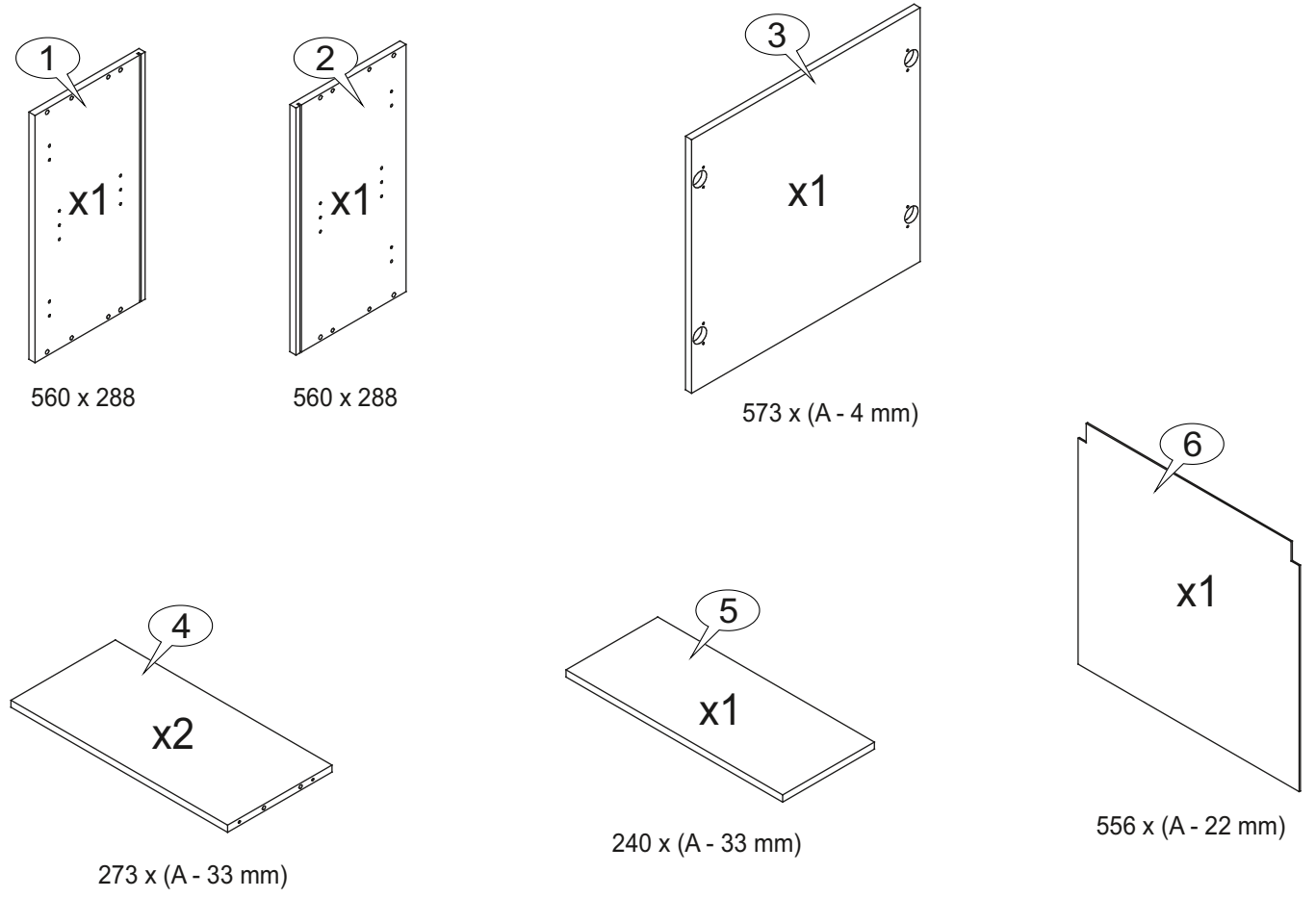
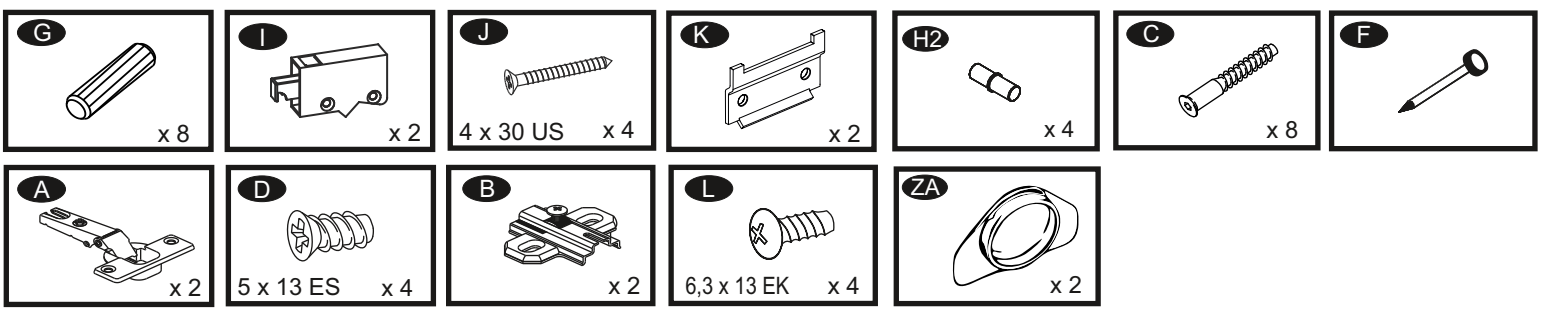


4

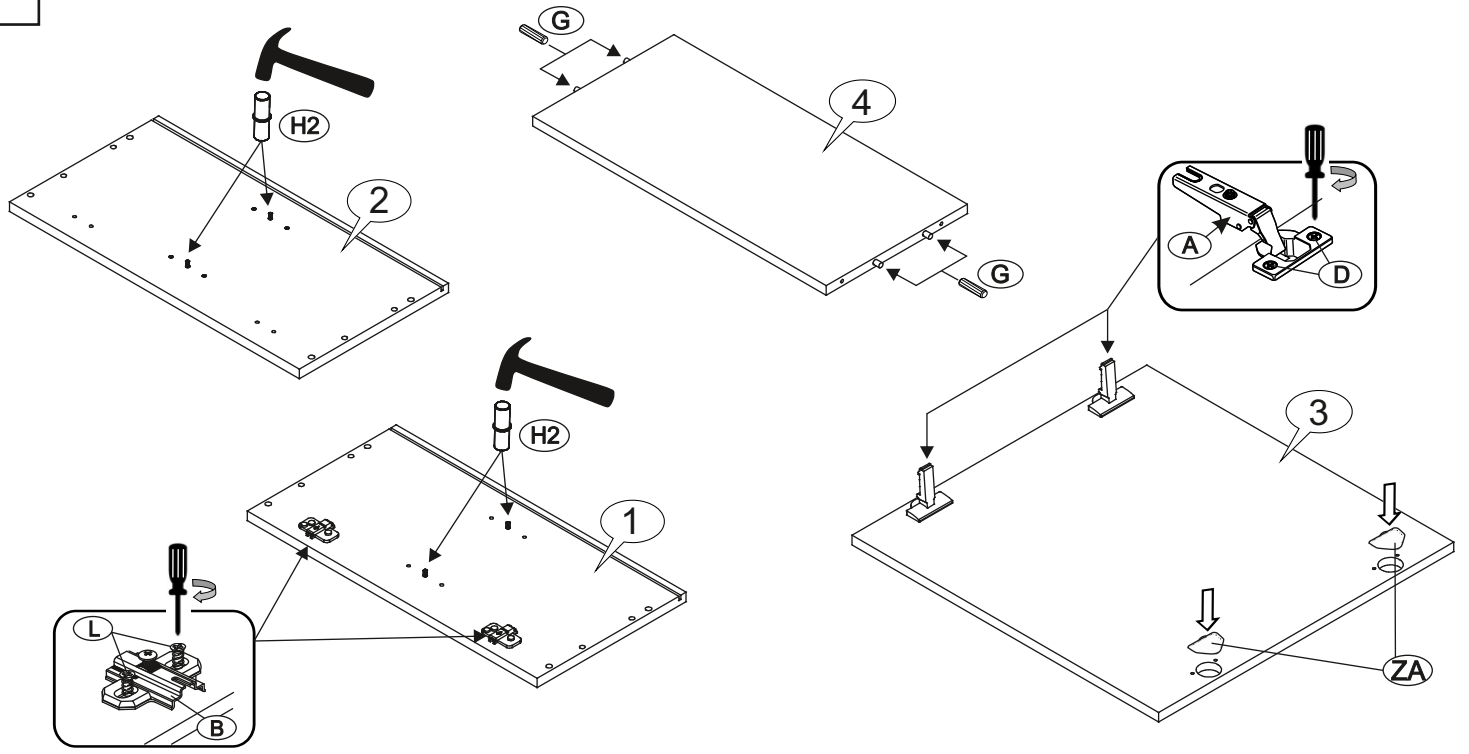




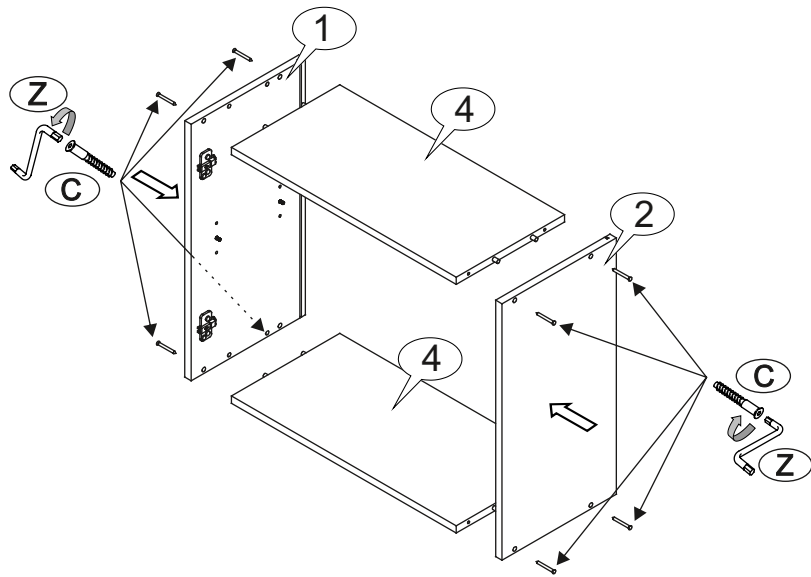
A = 400 mm
A = 600 mm



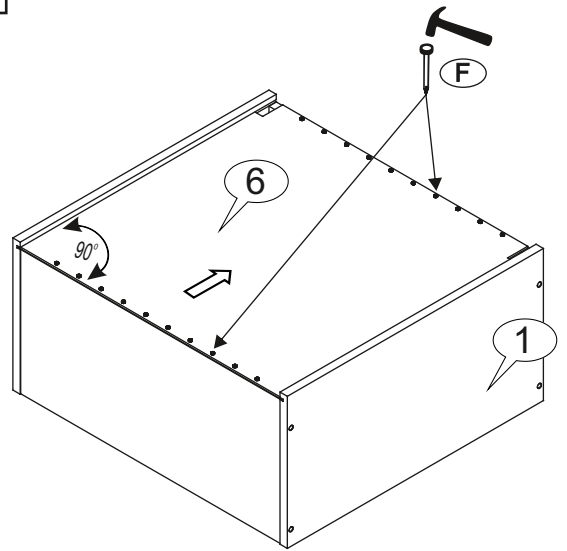
1



2



3



4

