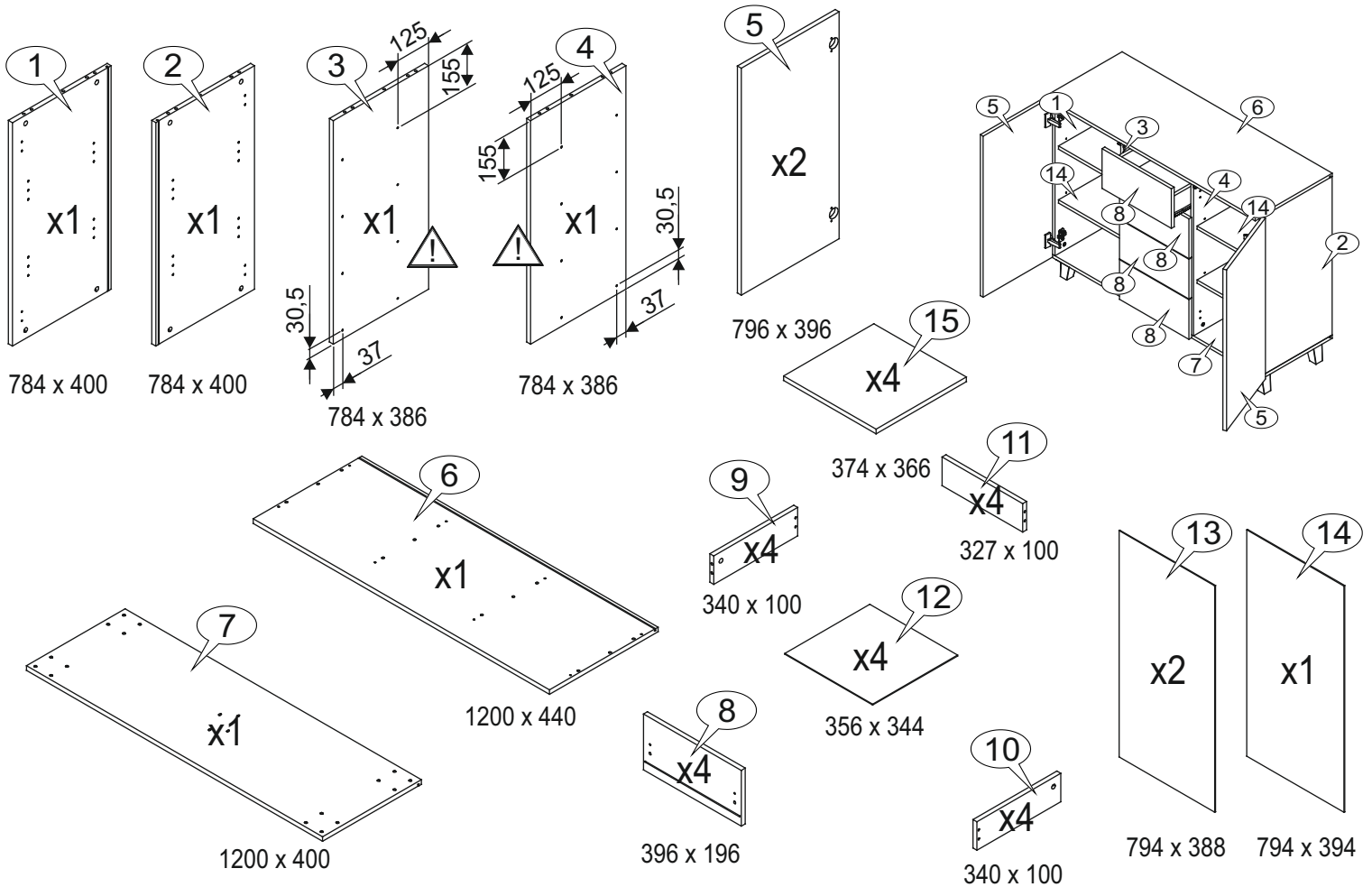
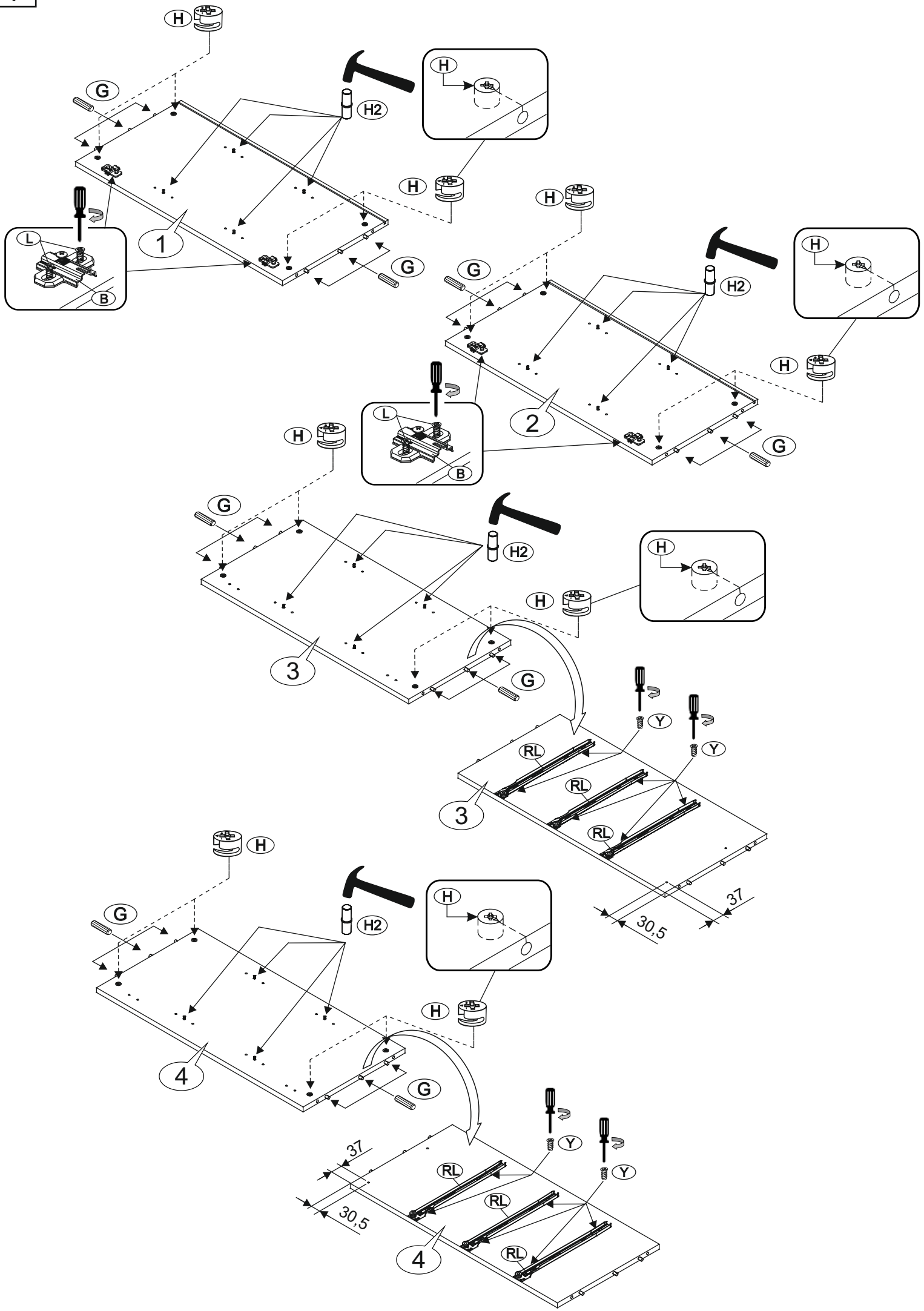
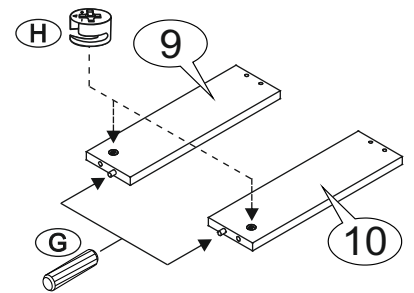
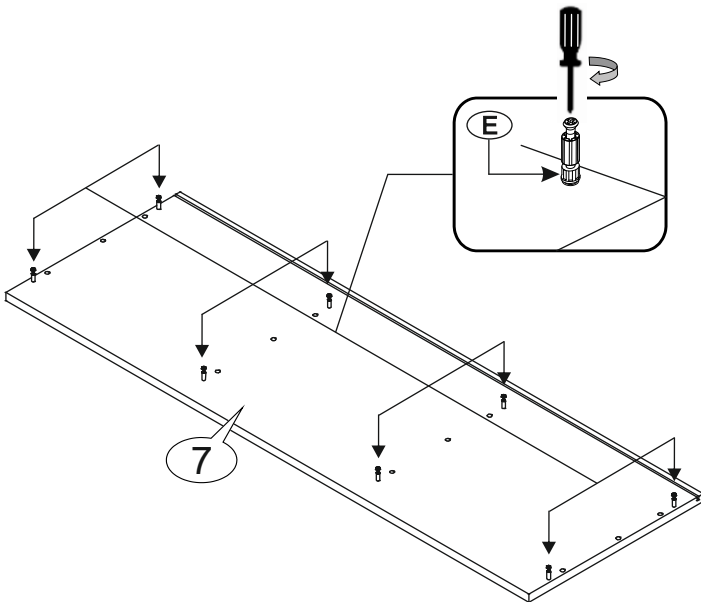
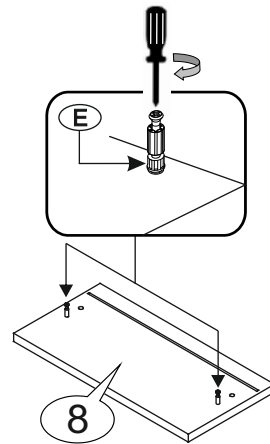
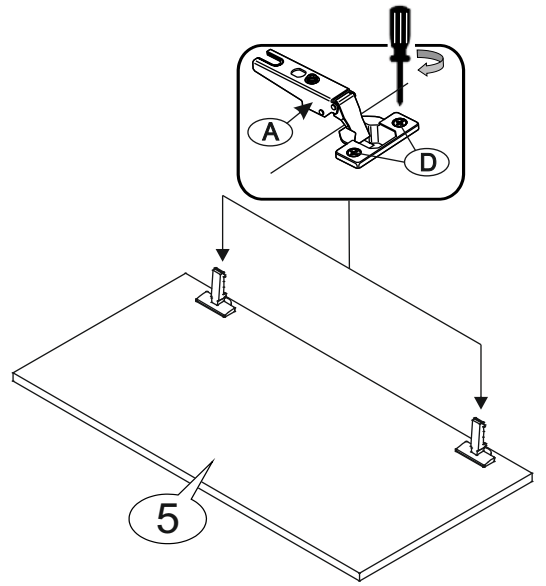
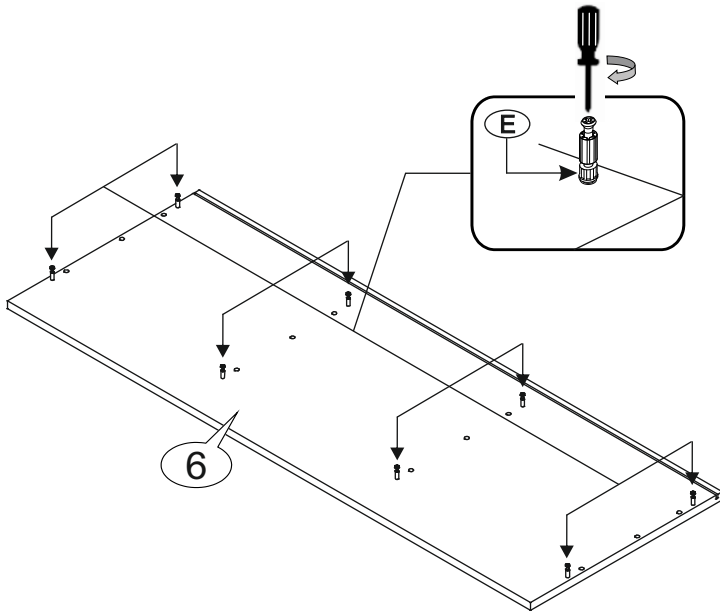


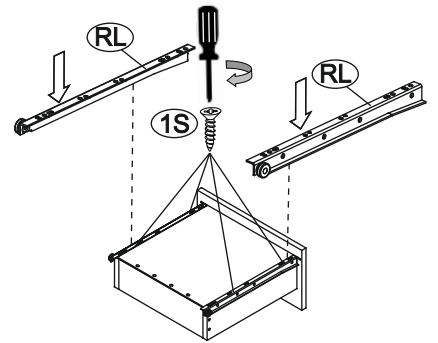
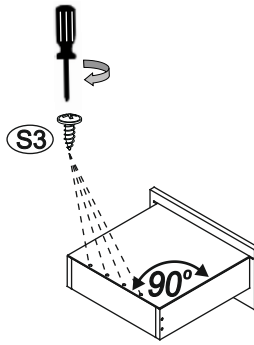
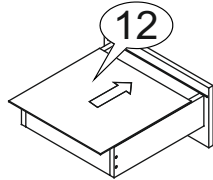
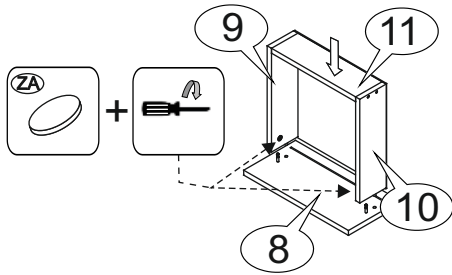
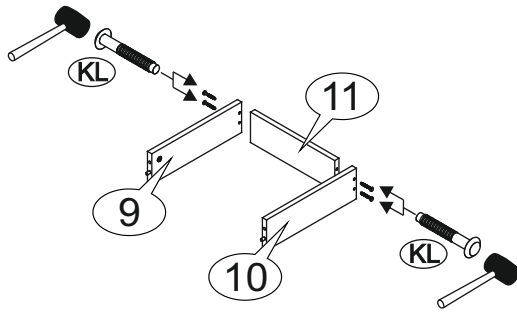
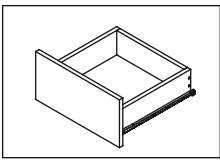
| | | | | | | |
|-------------------------------|----------------------------|-----------------------------|-----------------------------|-----------------------|--------------------------|----------------------------|
| RL L - 350 x 4 kpl. | Y 6 x 13 ES x 16 | S3 4 x 12 UP x 16 | 1S 4 x 20 US x 16 | N x 5 | S5 3 x 20 x 20 | |
| A x 4 | B x 4 | D 5 x 13 ES x 8 | L 6,3 x 13EK x 8 | TP x 6 kpl. | O3 x 10 | Y3 2,5 x 20 x 10 |
| H x 24 | E x 24 | ZA x 24 | H2 x 16 | G x 32 | KL x 16 | ST x 10 |



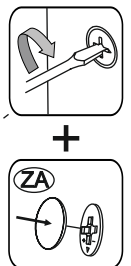
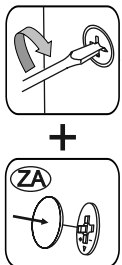
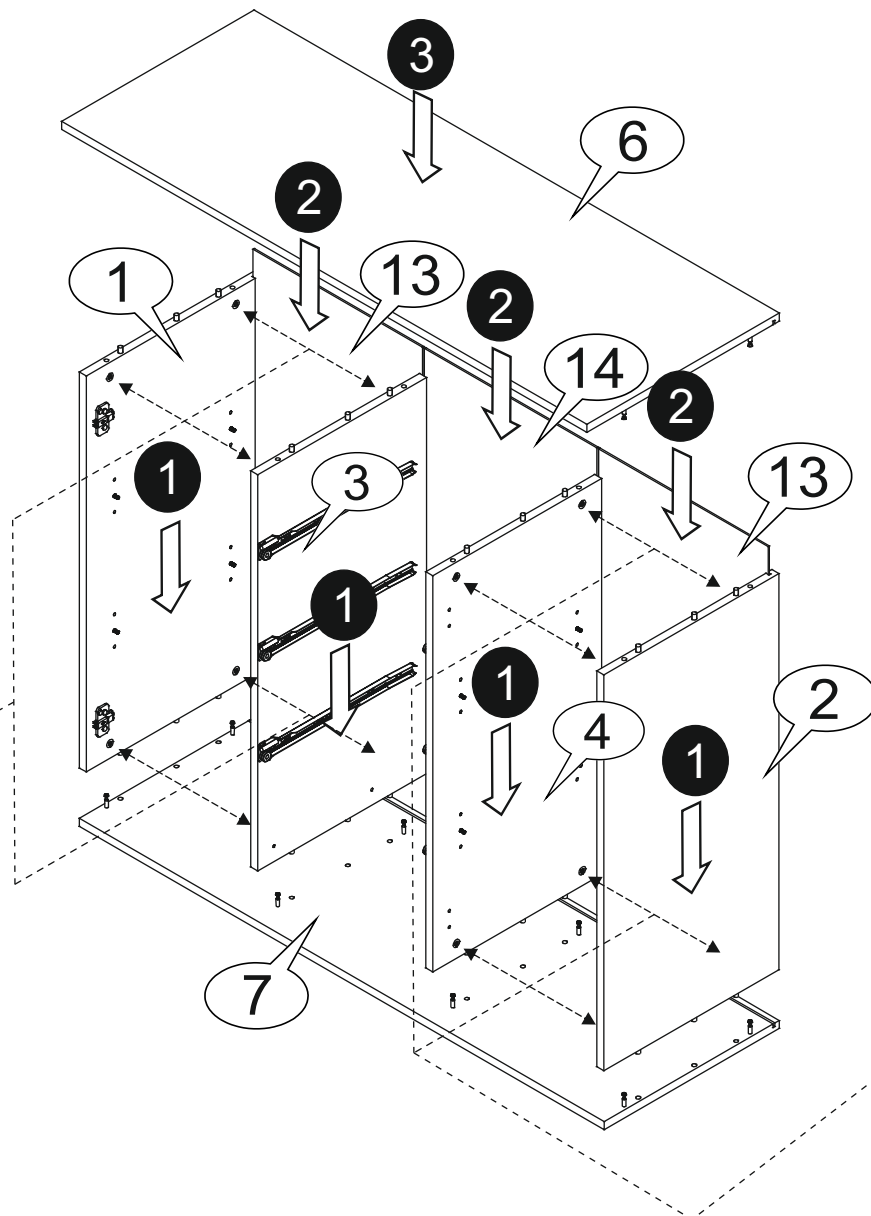




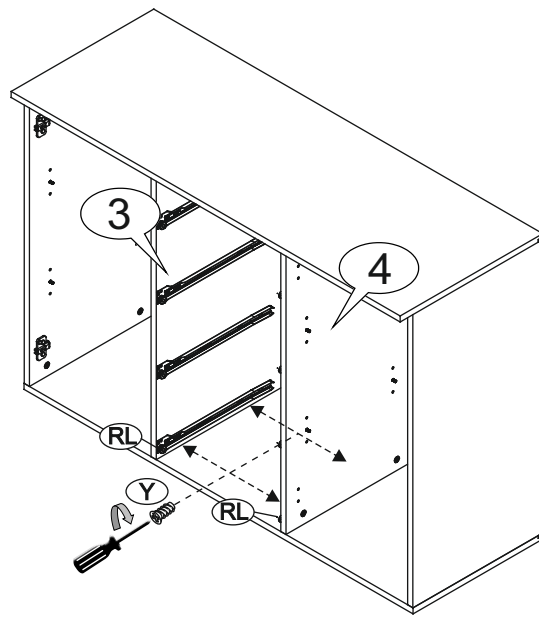
3



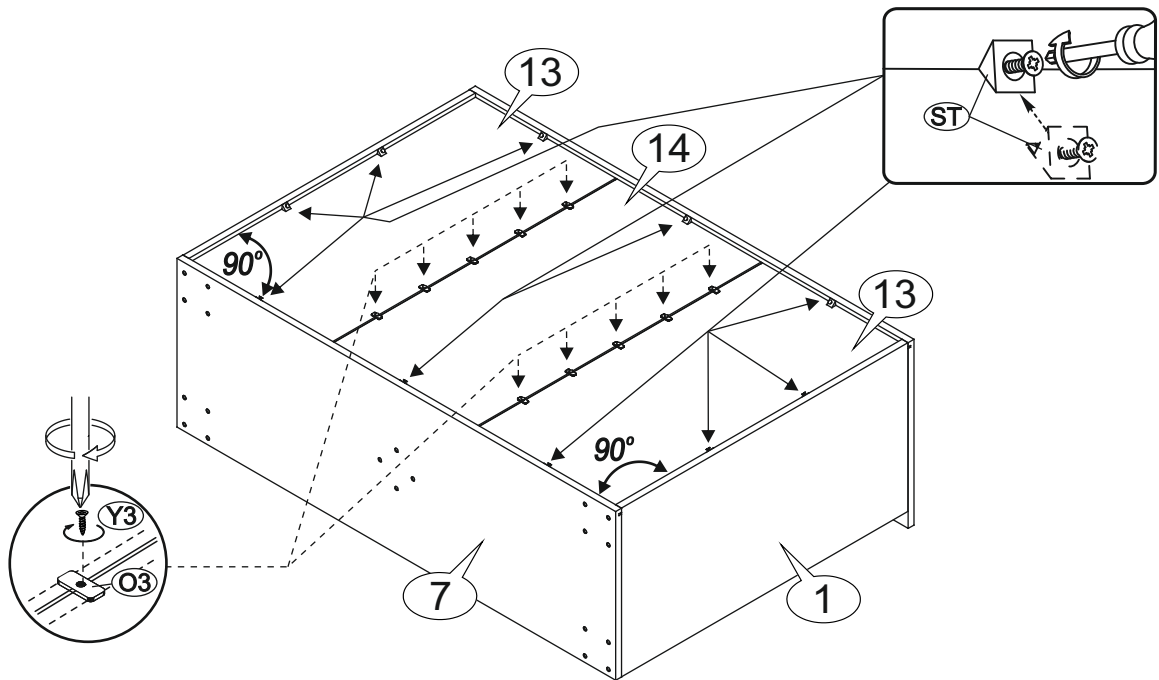
4



5



6



7

