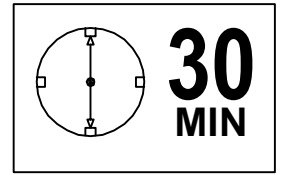
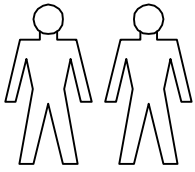


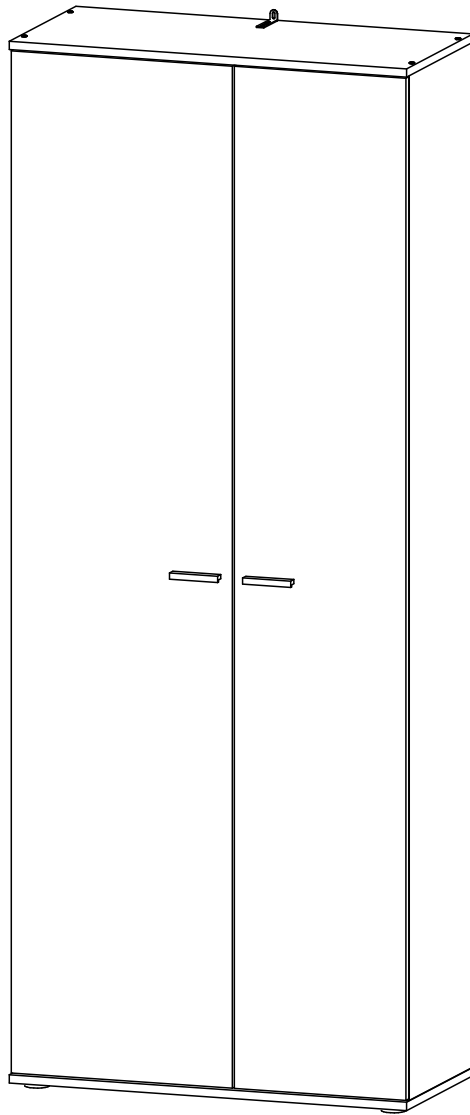
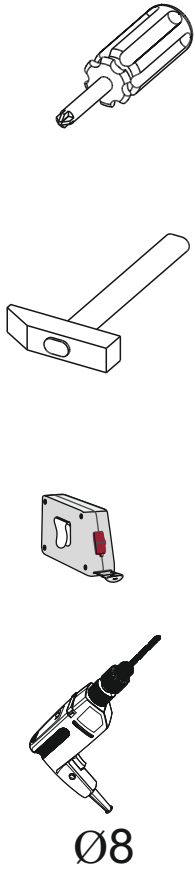
BARCELONA

WARDROBE 2D

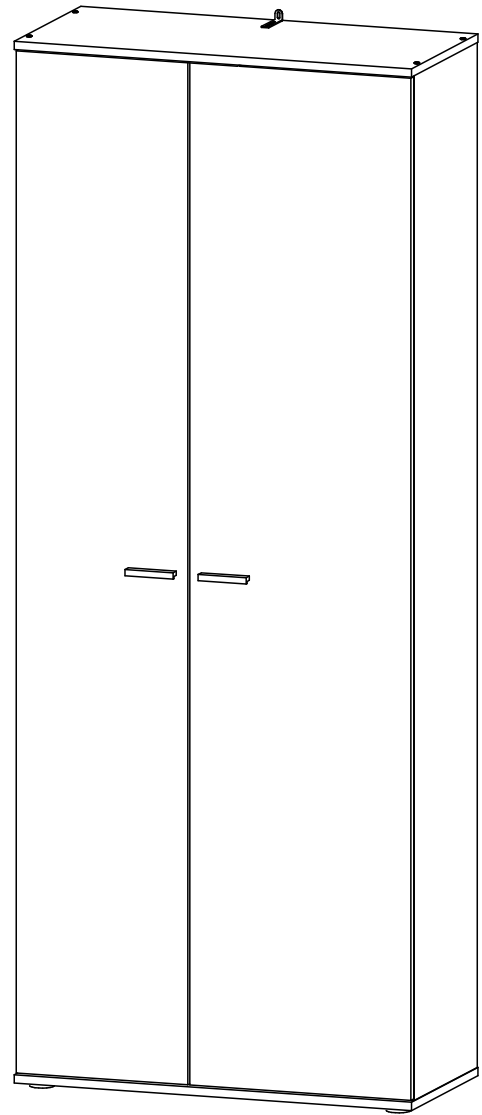


A

B

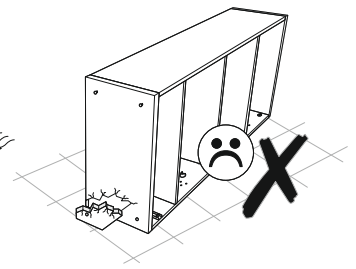
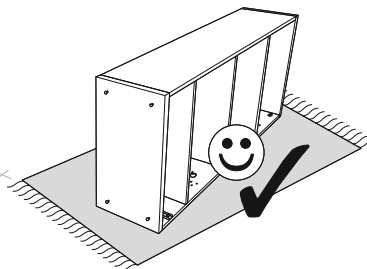
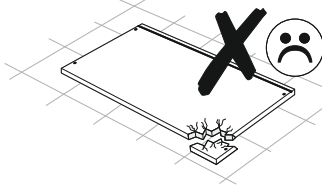
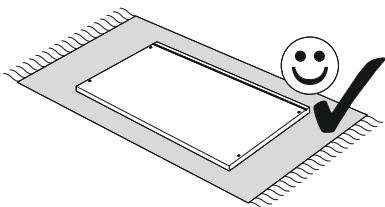


2026 mm



803 mm 370 mm

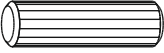

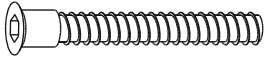
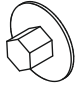



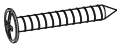
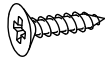

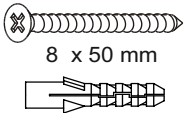

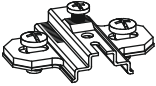
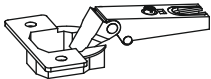
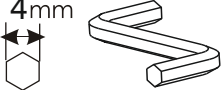
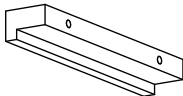

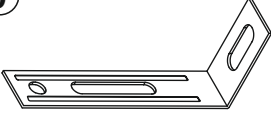
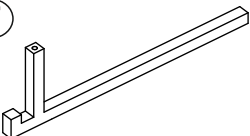
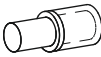
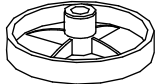
803 mm 370 mm

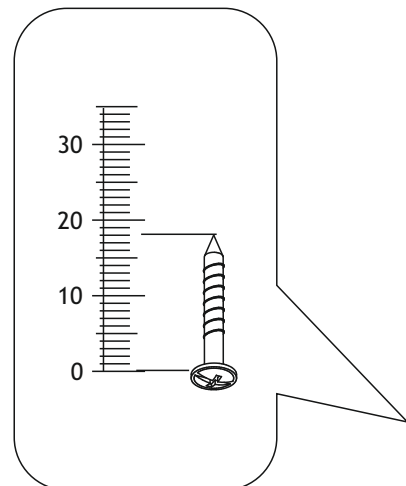
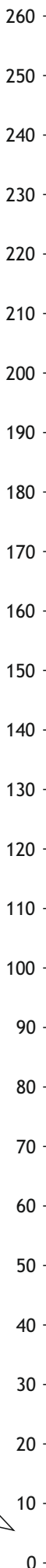


BARCELONA

WARDROBE 2D

MM


<p>A0 8 x 30mm x20</p> 	<p>B0 x4</p> 	<p>B1 f 7 x 50 mm x8</p> 
<p>C0 x4</p> 	<p>C2 x8</p> 	<p>C7 x8</p> <p>16mm</p> 
<p>D0 3 x 15 mm x18</p> 	<p>D7 3,5 x 27 mm x4</p> 	<p>D10 4 x 16 mm x16</p> 
<p>D21 5 x 13 mm x1</p> 	<p>E0 5 x 50 mm x1 8 x 50 mm</p> 	<p>H2 4 x 22 mm x2</p> 
<p>J6 x8</p> 	<p>J8 x8</p> 	<p>K 4mm x1</p> 
<p>L1 x2</p> 	<p>M1 x18</p> 	<p>P0 x1</p> 
<p>P17 x1</p> 	<p>Q4 x4</p> 	<p>T11 x5</p> 

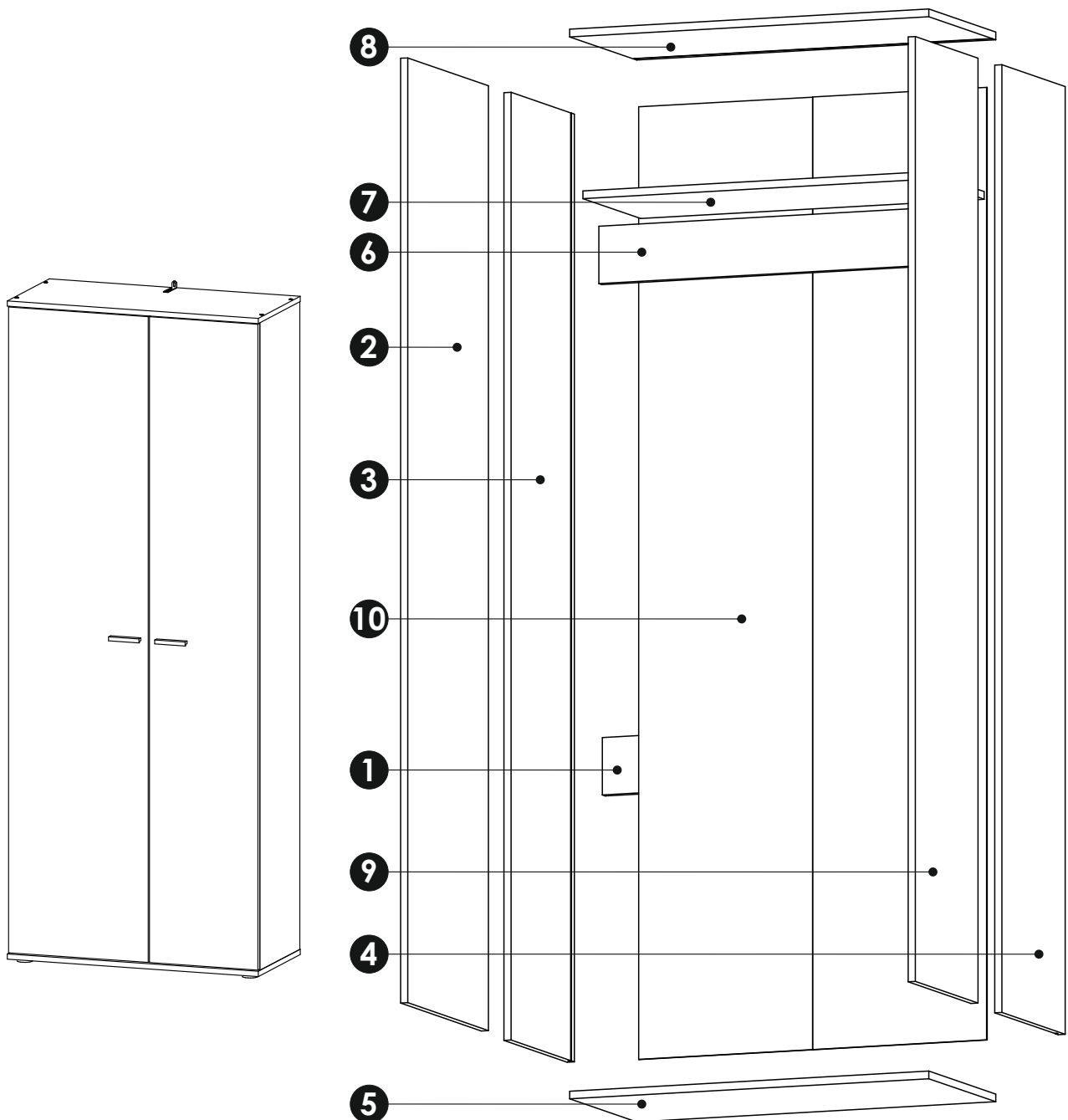


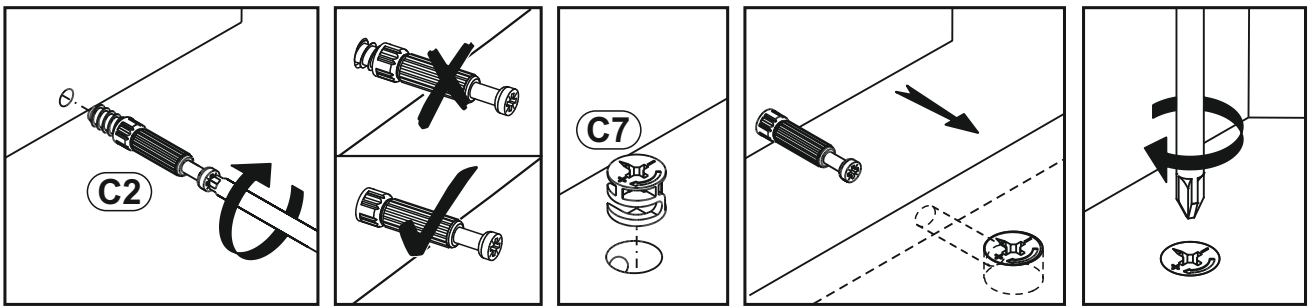
BARCELONA

WARDROBE 2D



1	768	120	16	x1	2/2
2	1978	447	16	x1	1/2
3	1984	350	16	x1	1/2
4	1984	350	16	x1	1/2
5	803	370	16	x1	2/2
6	768	120	16	x1	2/2

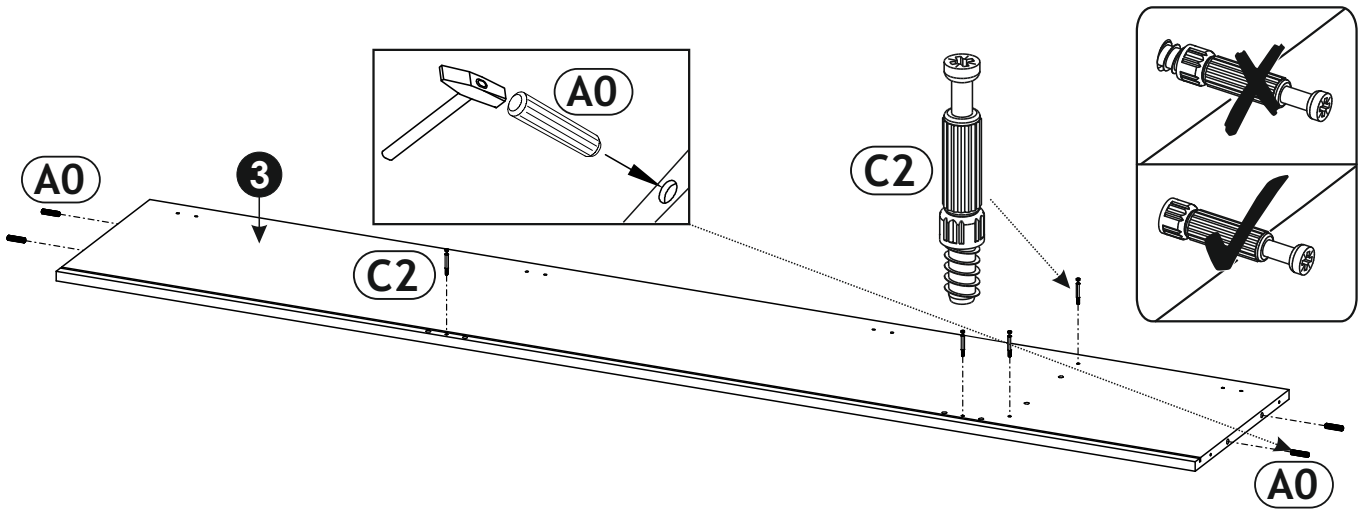
7	768	320	16	x1	2/2
8	803	370	16	x1	2/2
9	1978	347	16	x1	1/2
10	1994	778	3	x1	1/2
					2/2







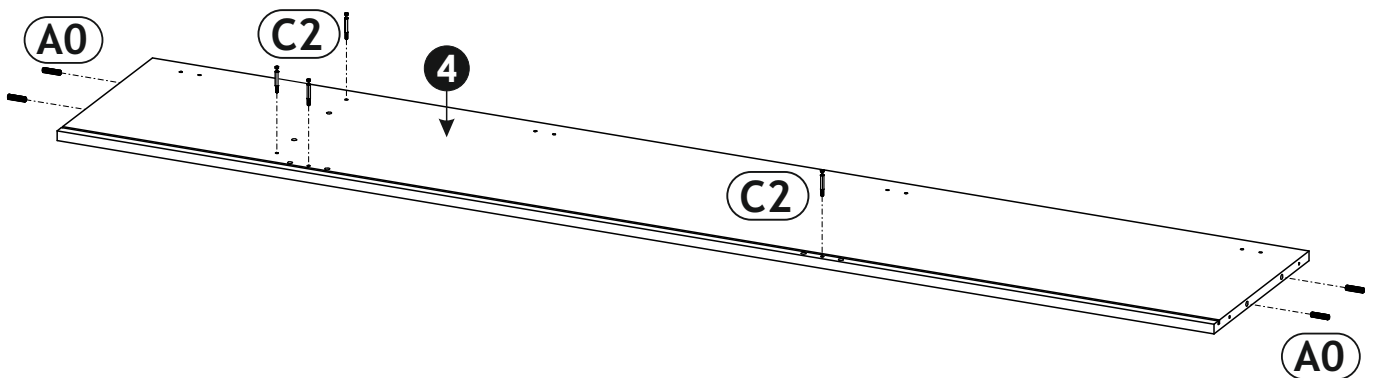
1 ▶

<p>A0 8 x 30mm x4</p> 	<p>C2 x4</p> 
---	--


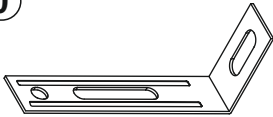
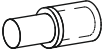


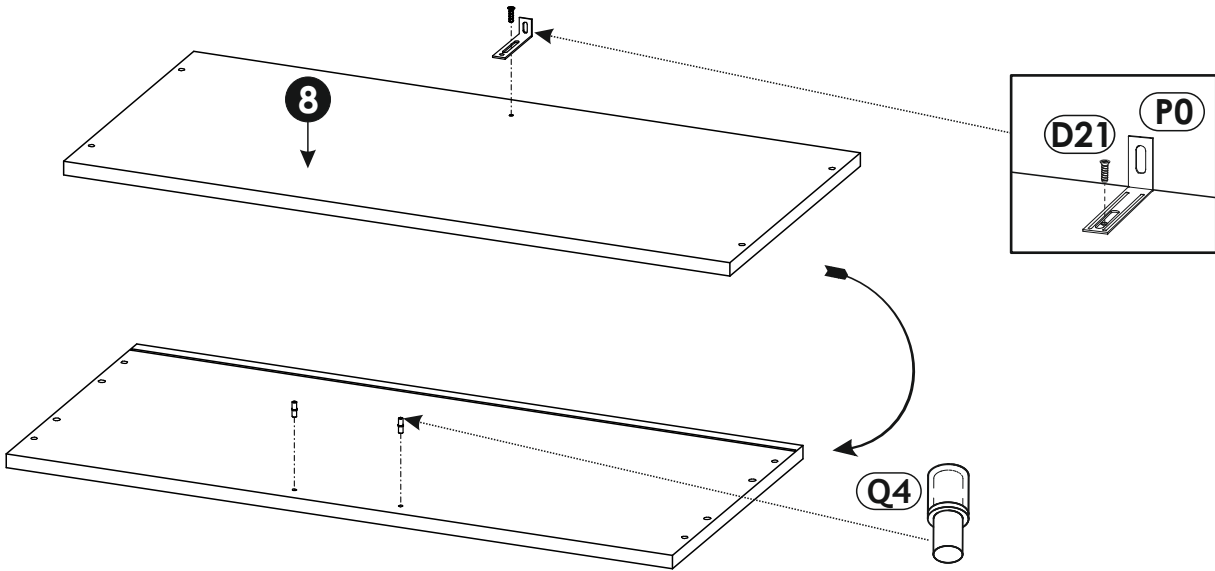
2 ▶

<p>A0 8 x 30mm x4</p> 	<p>C2 x4</p> 
---	--

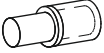
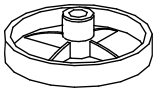


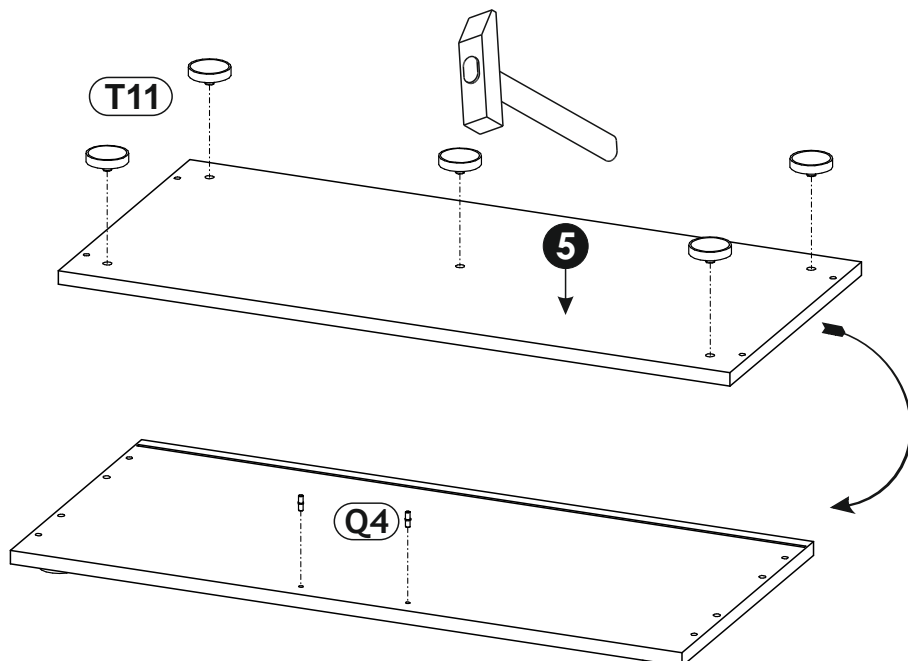
3 ▶

(D21) 5 x 13 mm  x1	(P0)  x1	(Q4)  x2
---	---	---

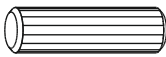



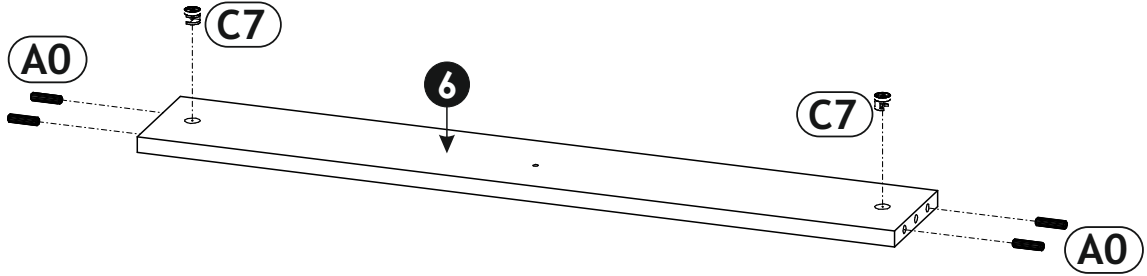
4 ▶

(Q4)  x2	(T11)  x5
---	--





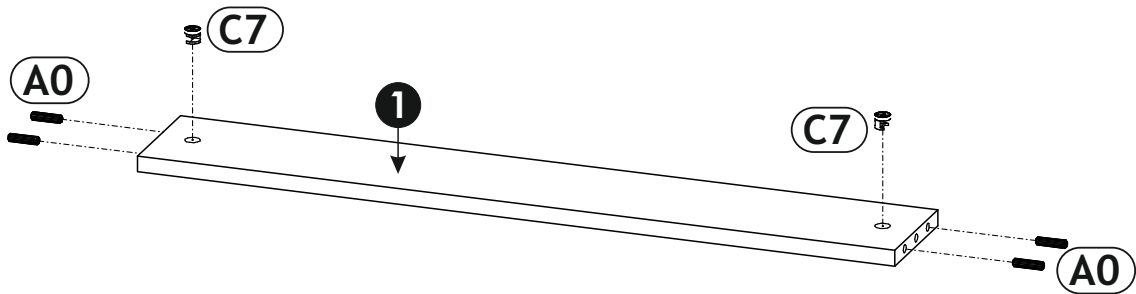
5 ▶

A0	8 x 30mm	x4	C7	x2
			16mm	





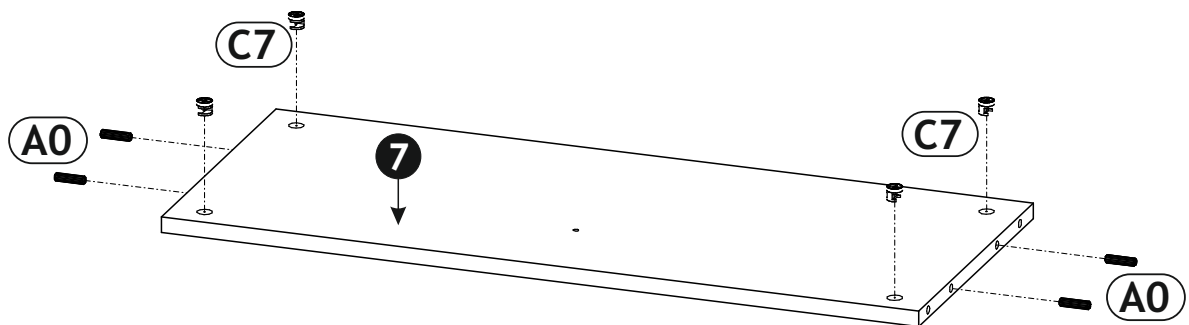
6 ▶

A0	8 x 30mm	x4	C7	x2
			16mm	

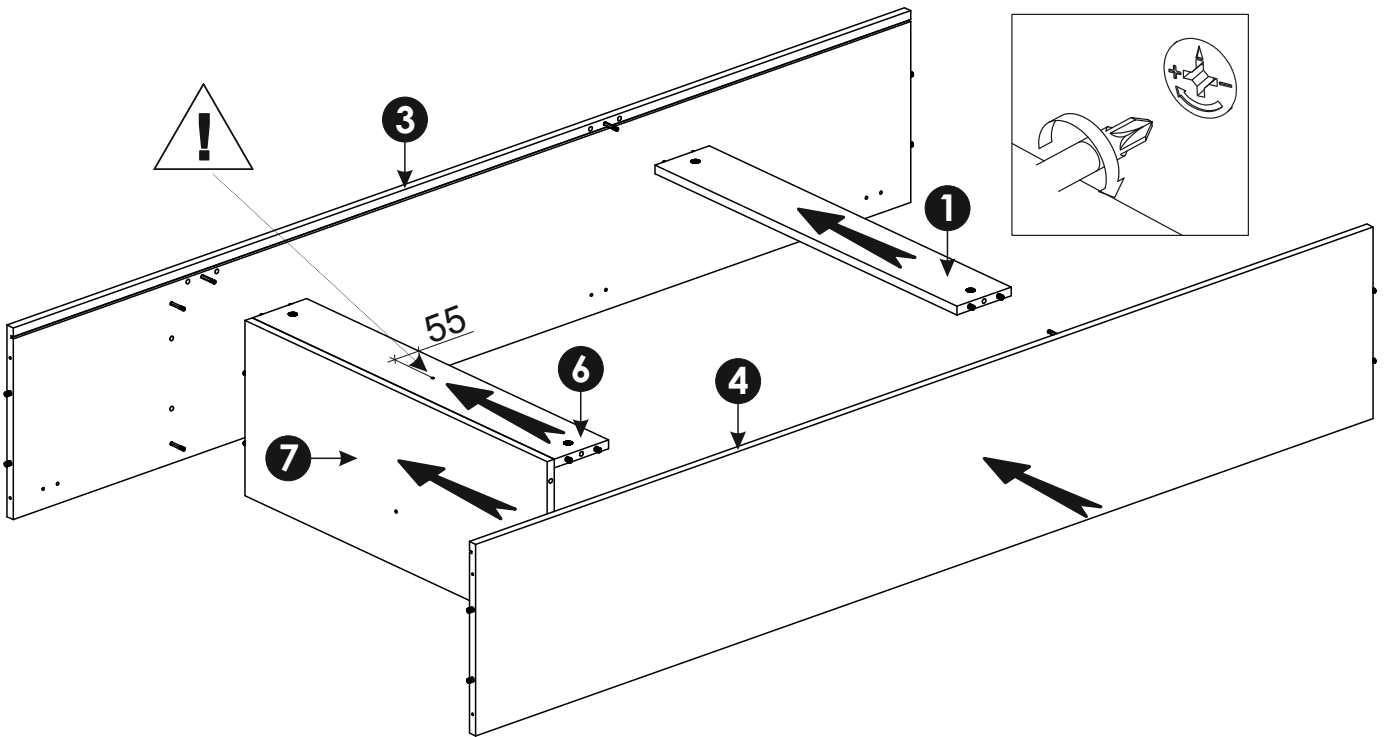


7 ▶

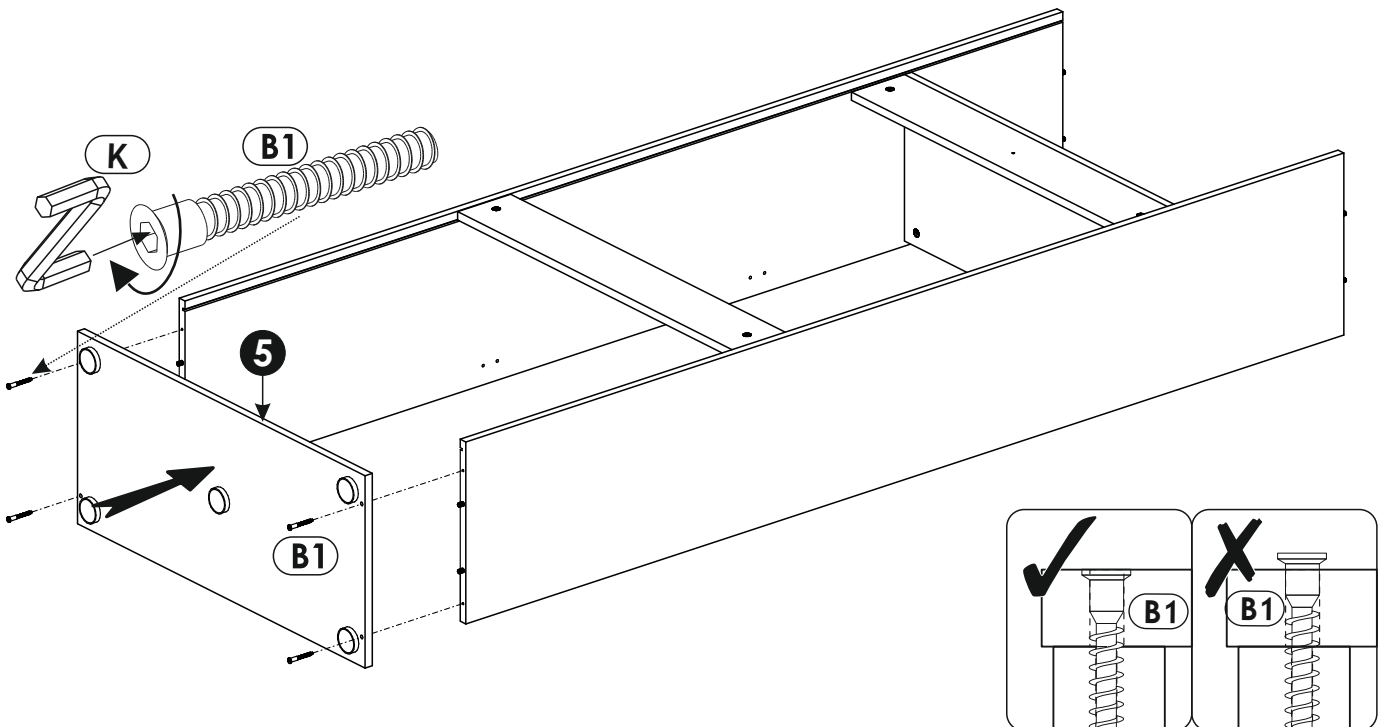
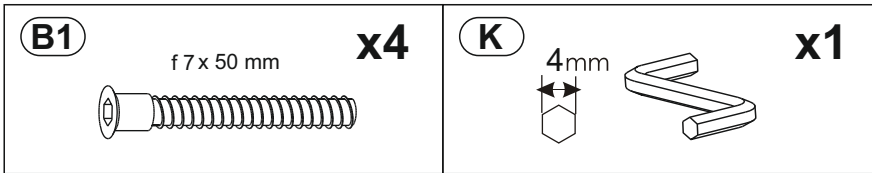
A0	8 x 30mm	x4	C7	x4
			16mm	



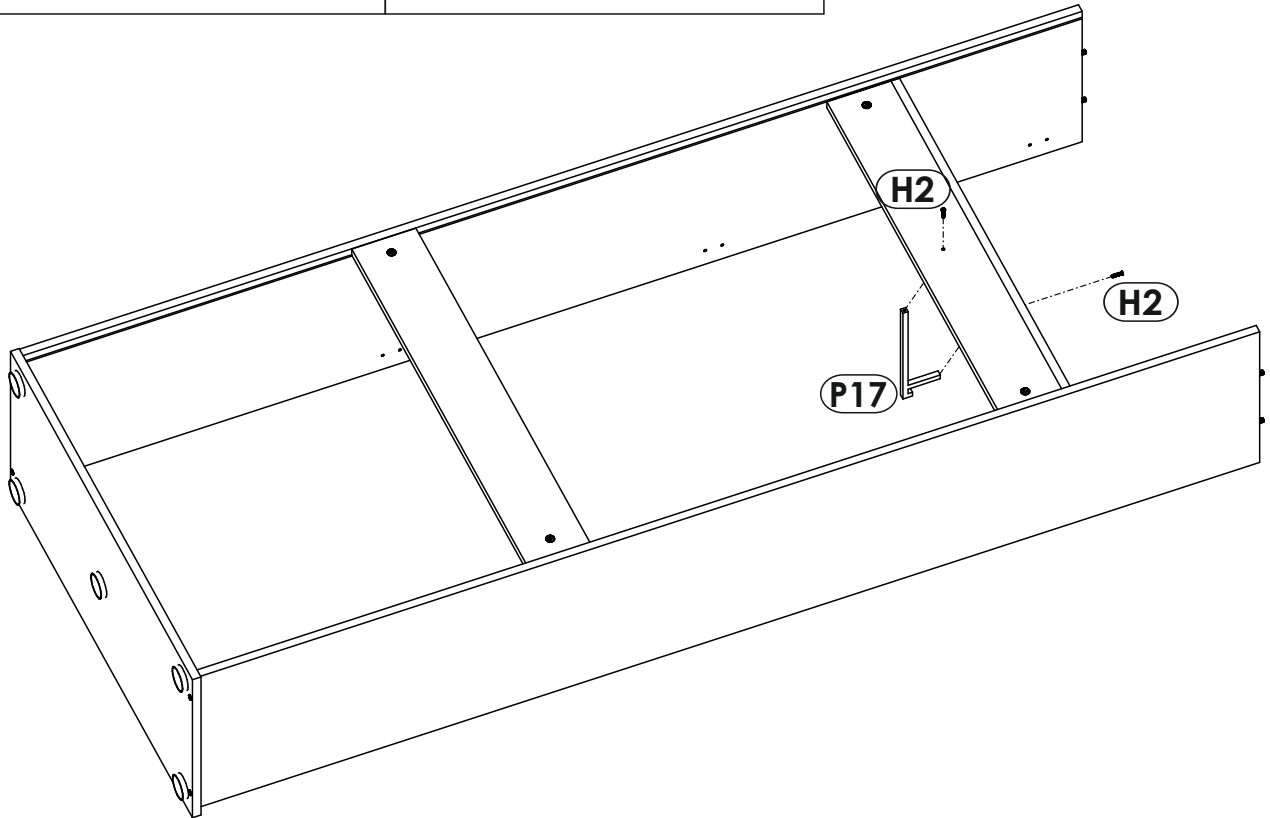
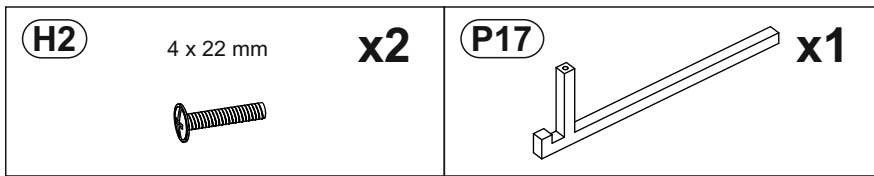
8 ▶



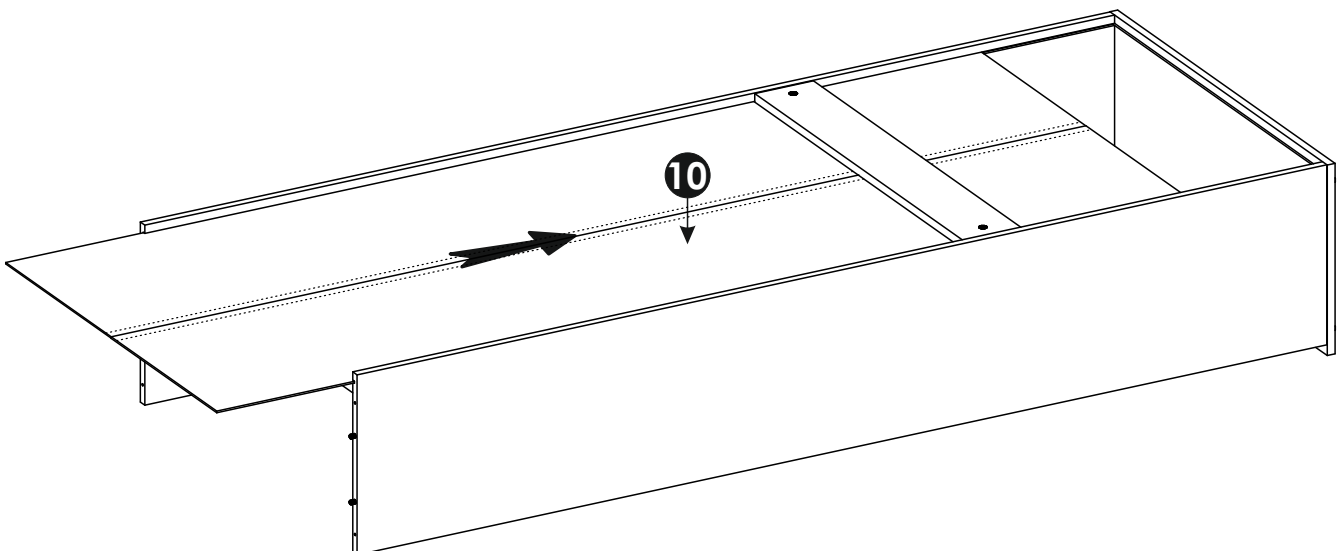
9 ▶



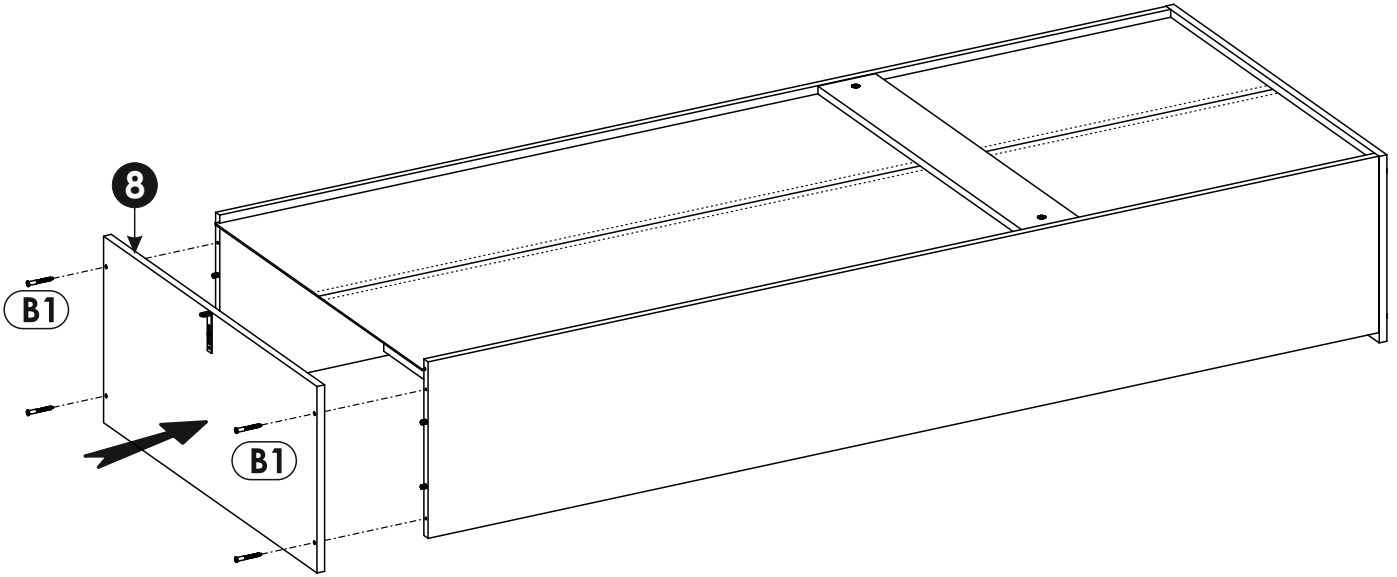
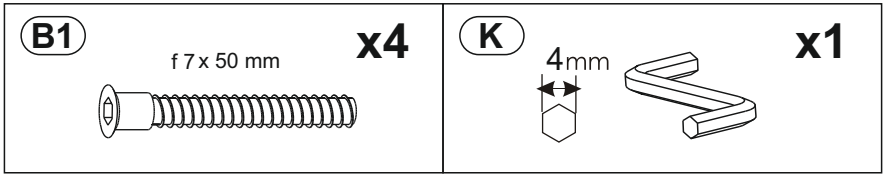
10 ▶



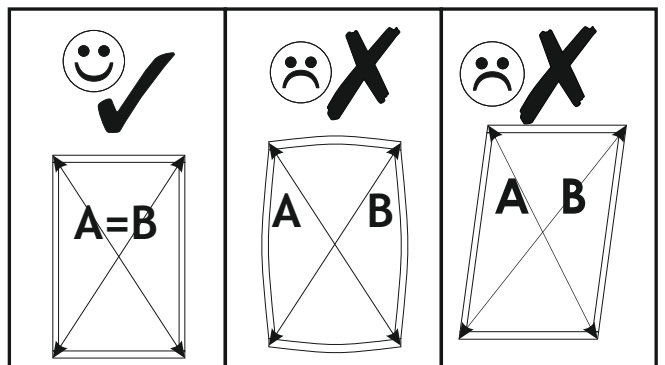
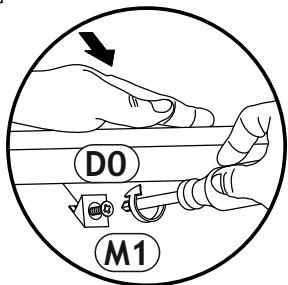
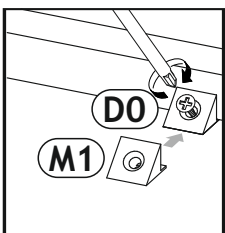
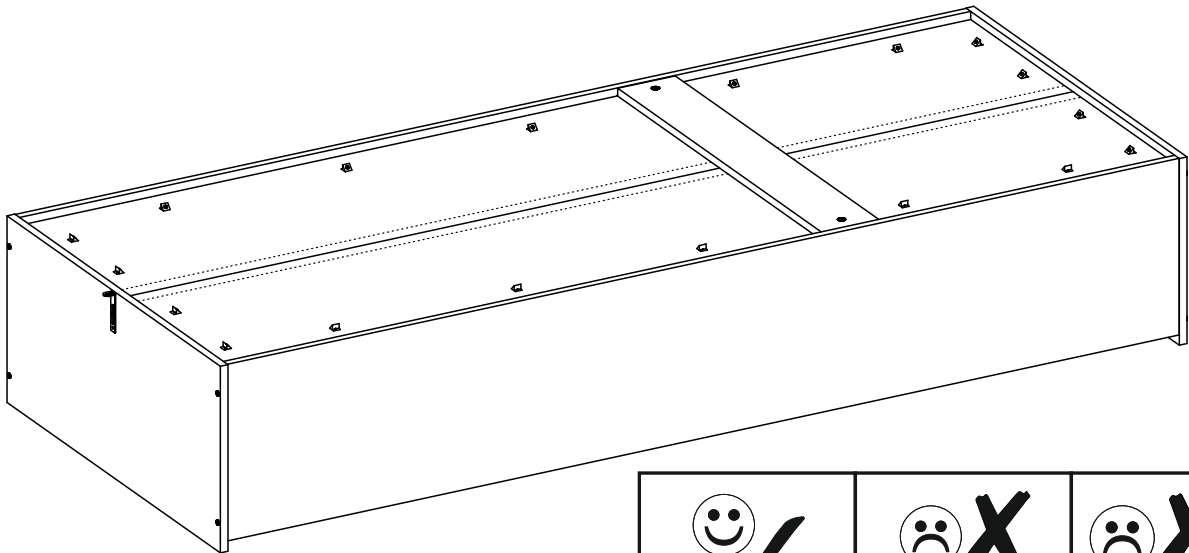
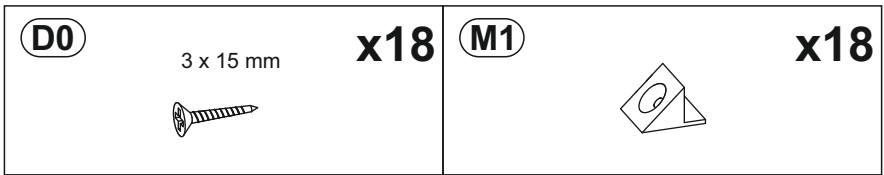
11 ▶



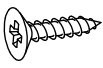
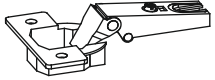
12 ▶

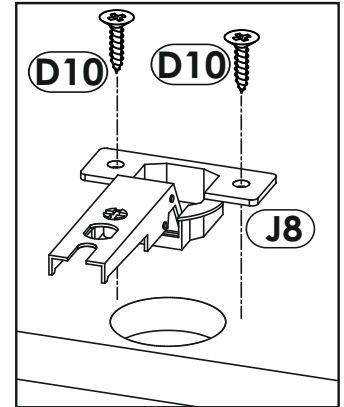
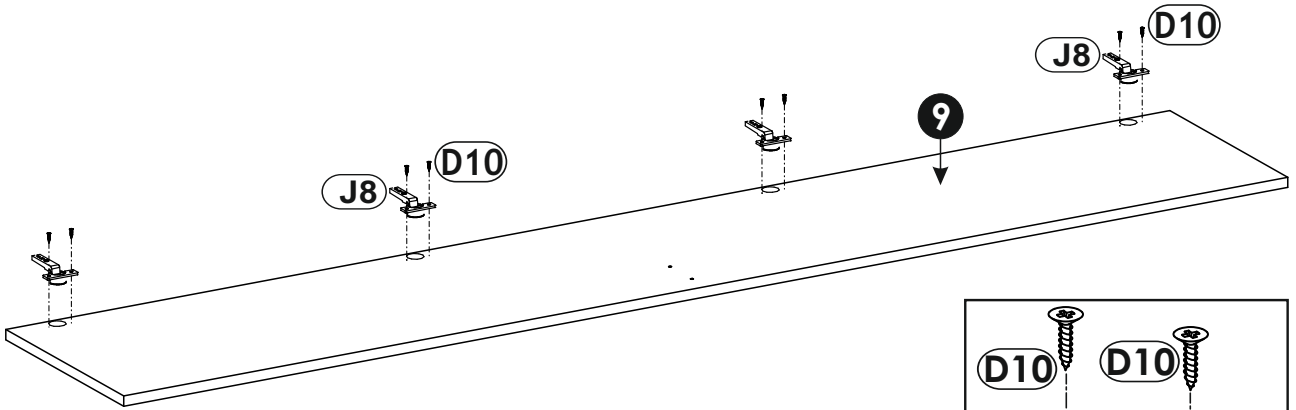


13 ▶

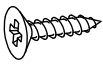



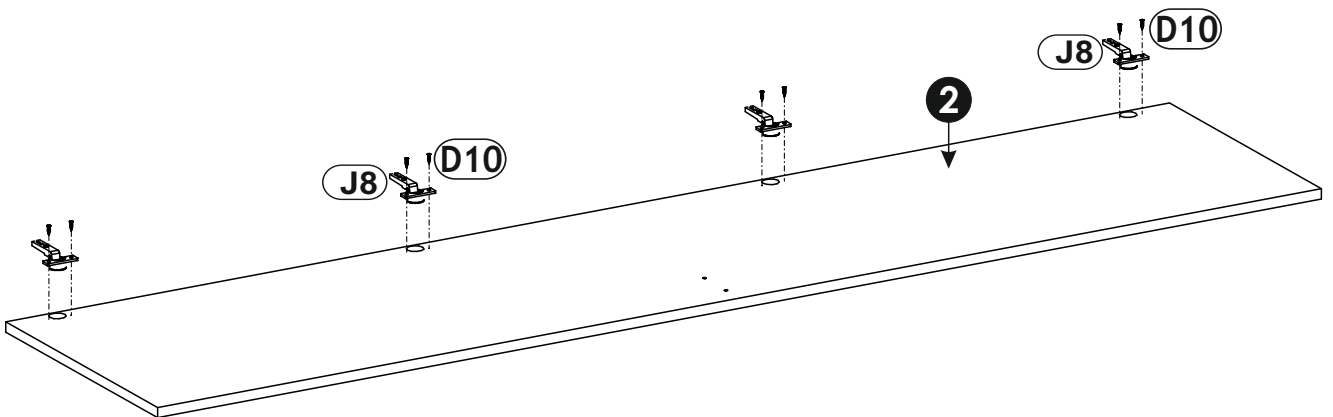
14 ▶

D10 4 x 16 mm 	x8	J8 	x4
--	-----------	--	-----------

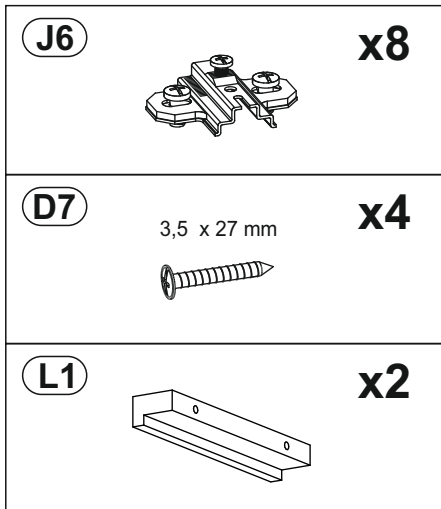


15 ▶

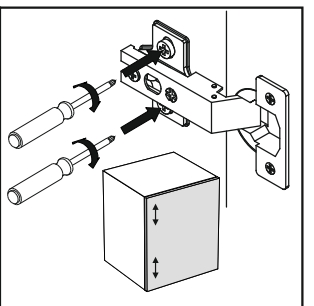
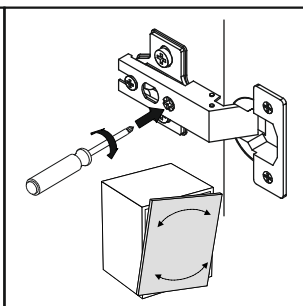
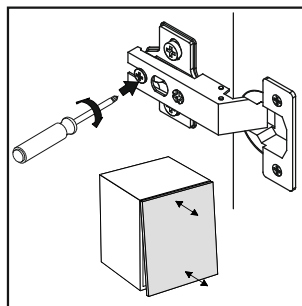
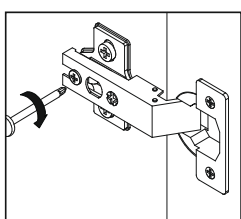
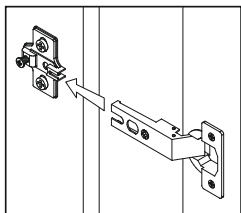
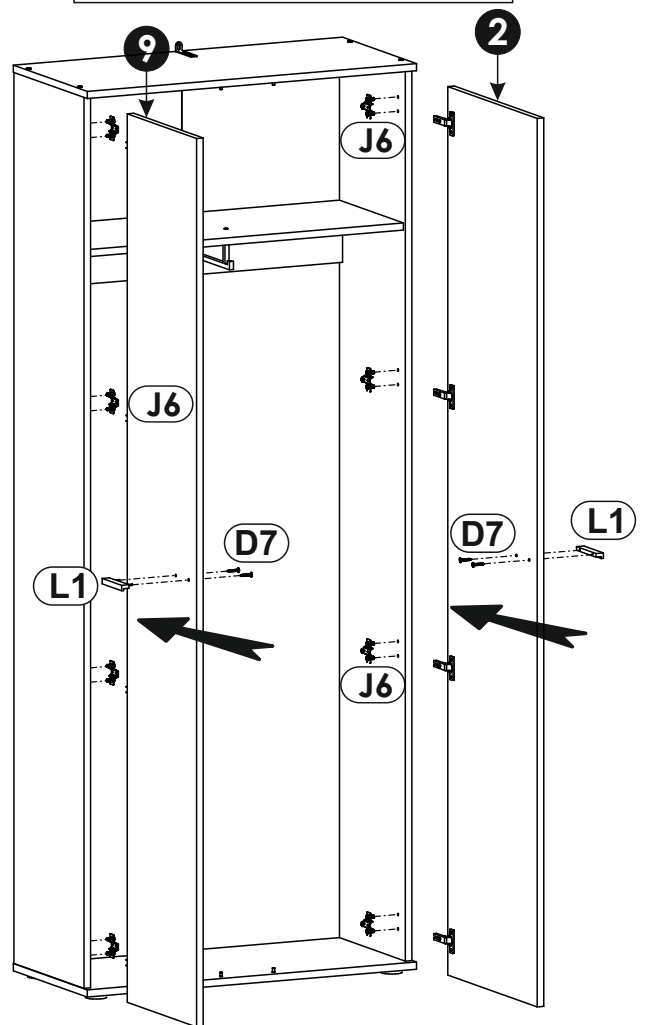
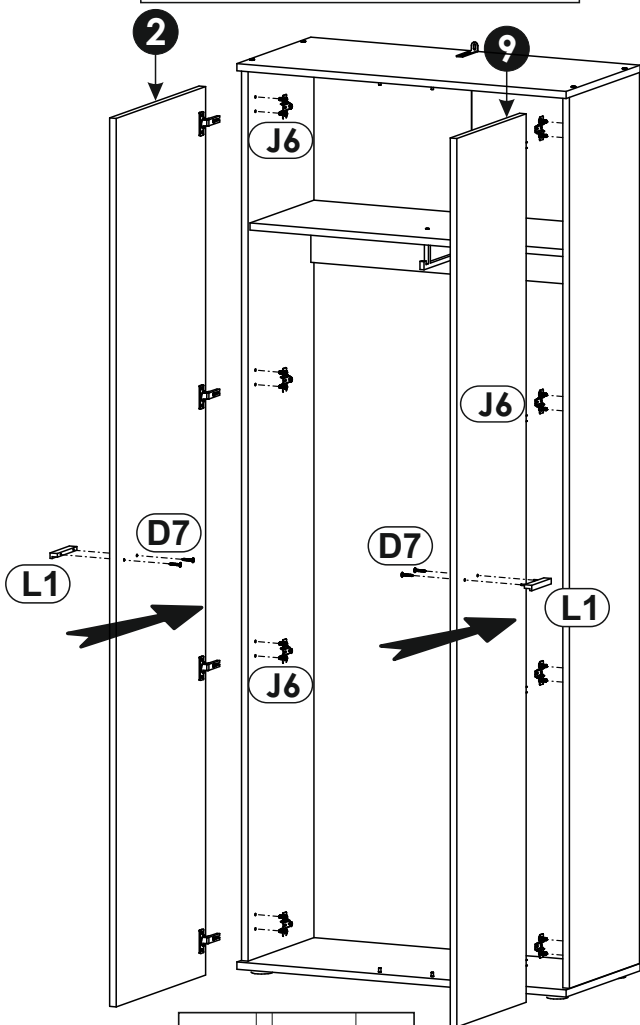
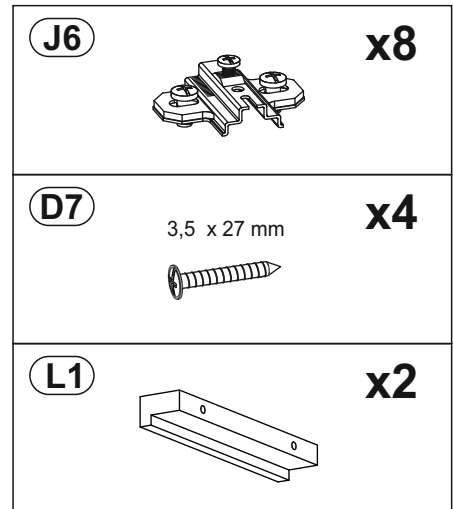
D10 4 x 16 mm 	x8	J8 	x4
--	-----------	--	-----------





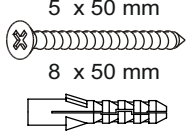
16 ▶ A



16 ▶ B



18 ▶

B0  x4	C0  x4	E0  x1
---	---	---

