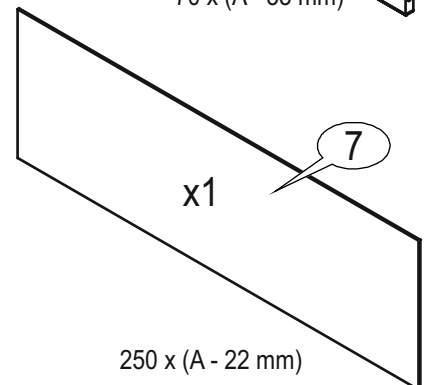
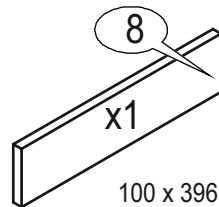
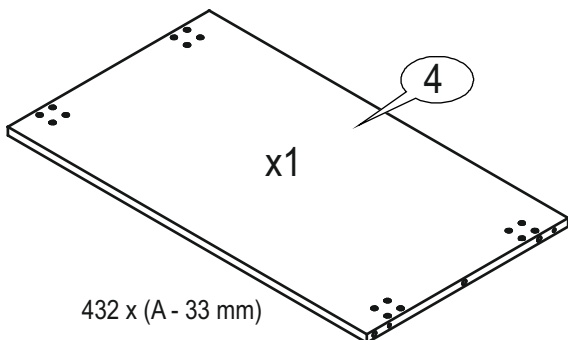
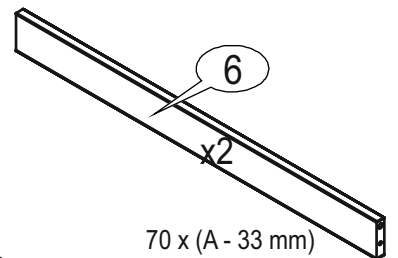
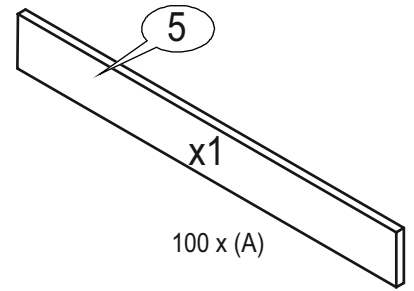
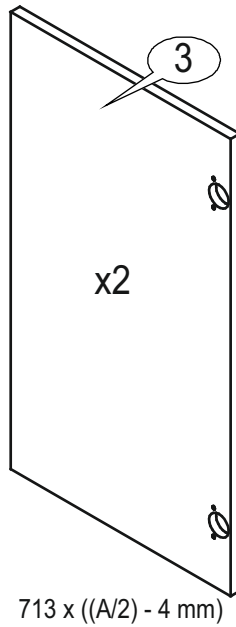
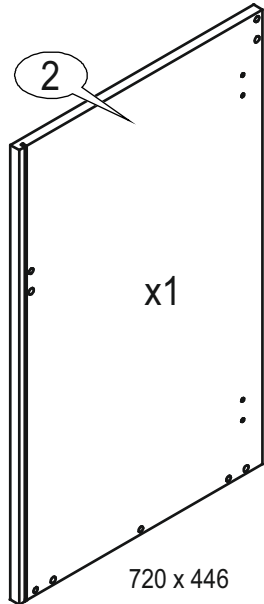
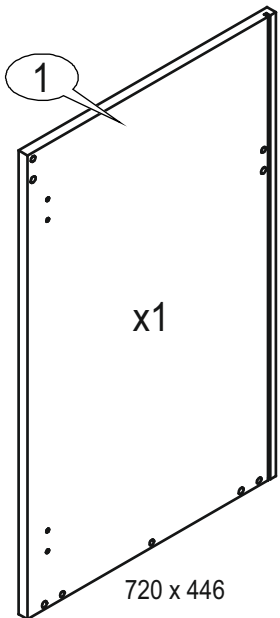
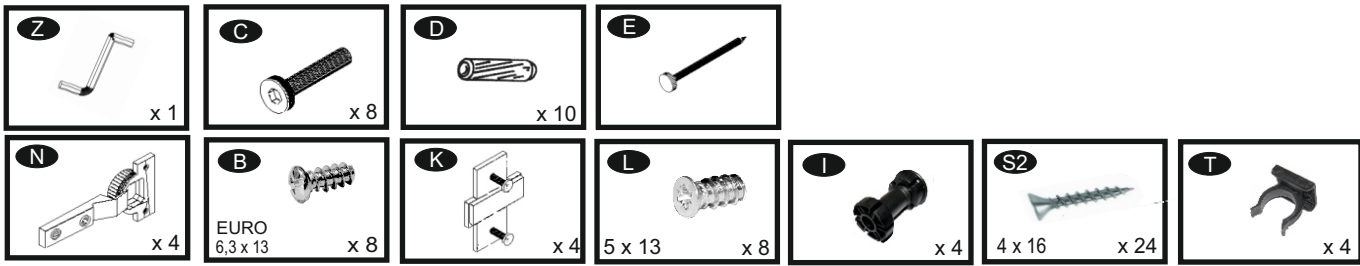
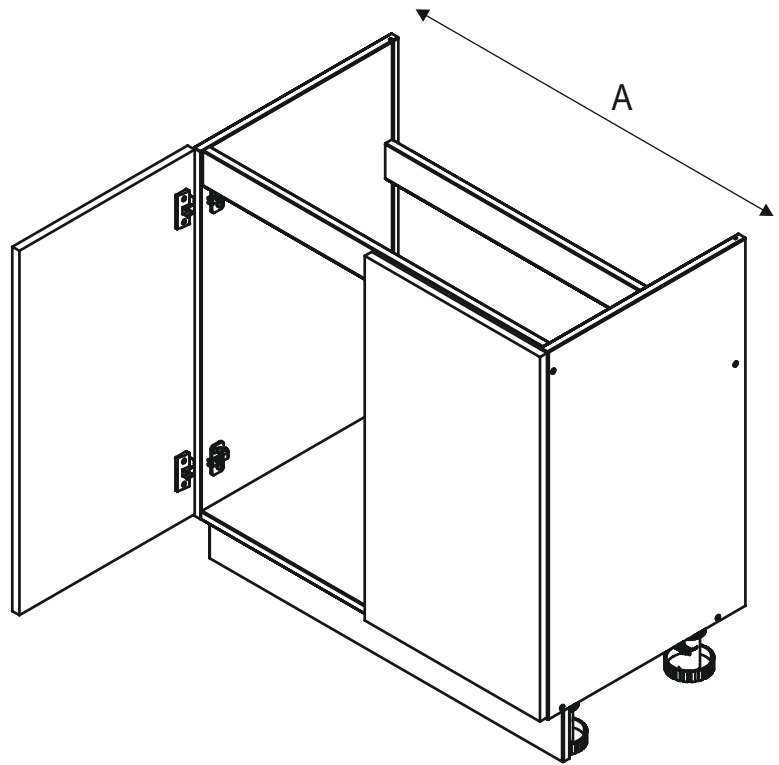
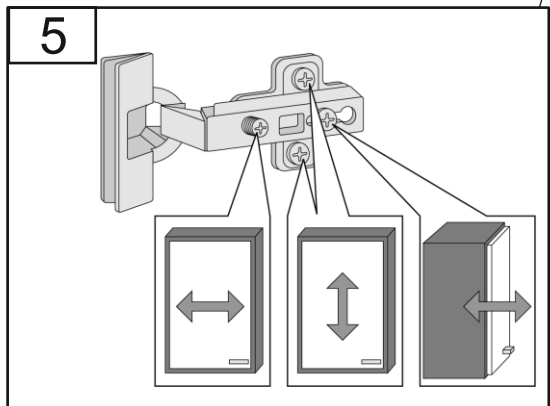
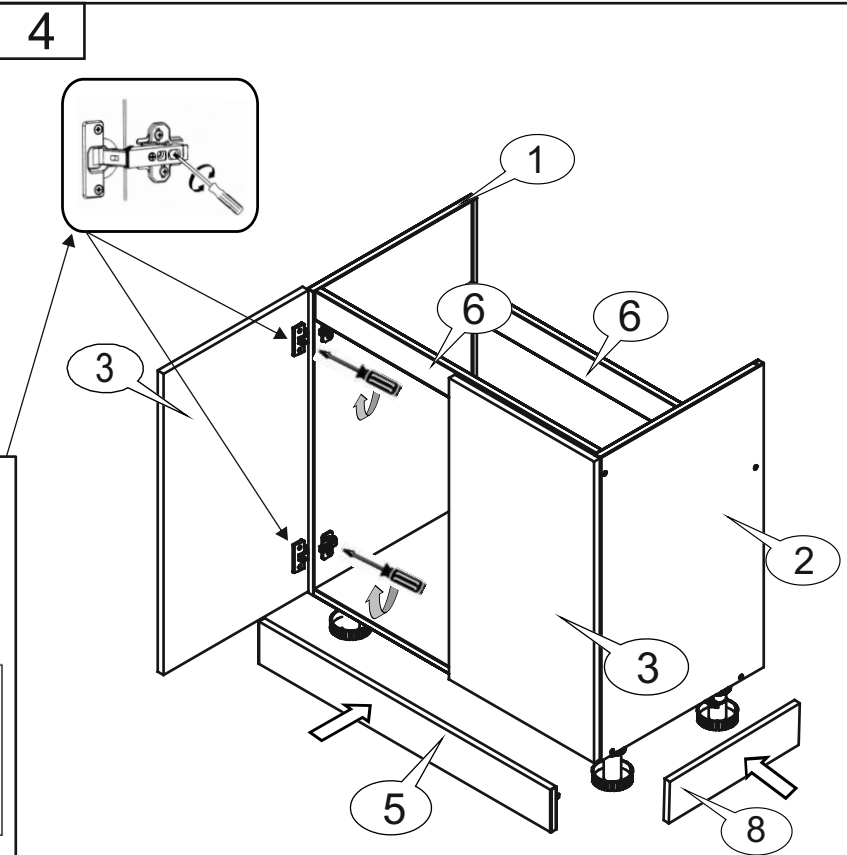
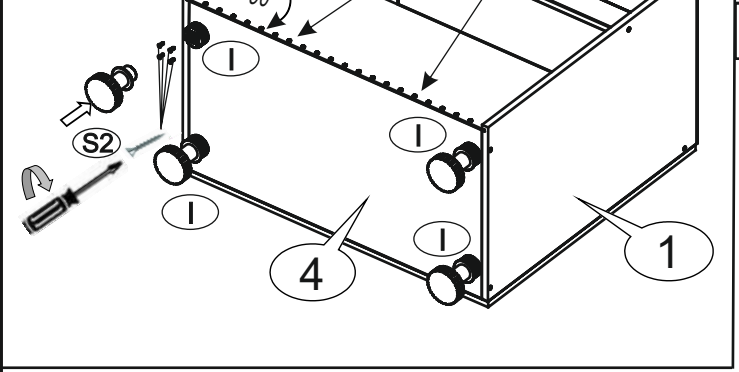
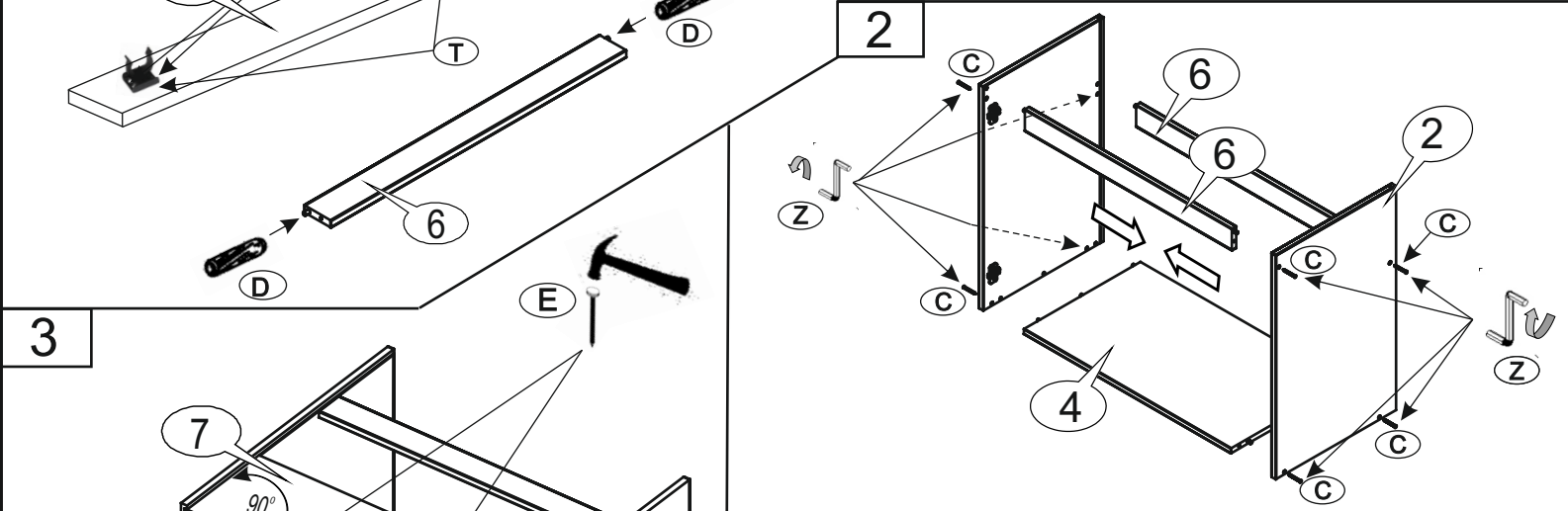
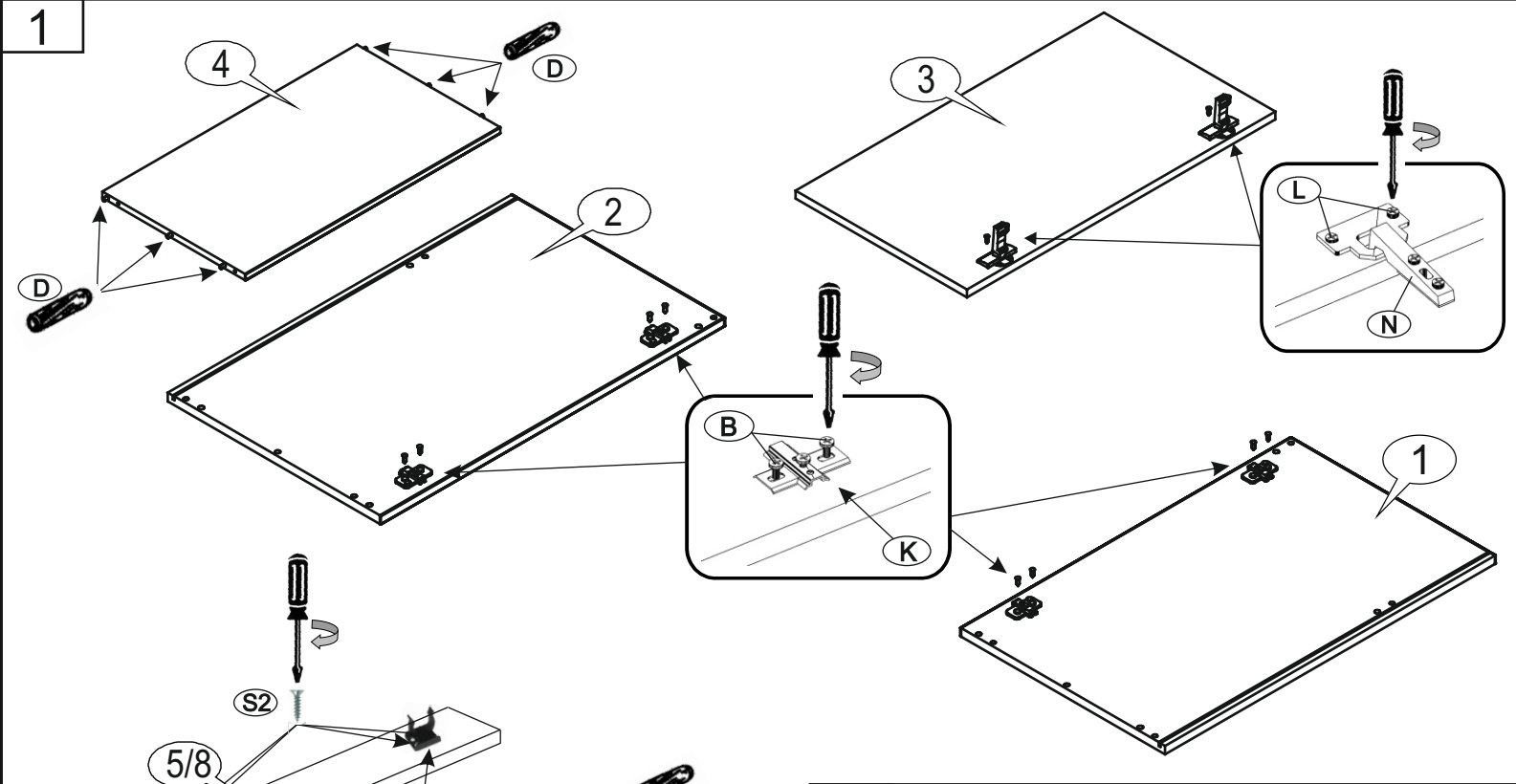
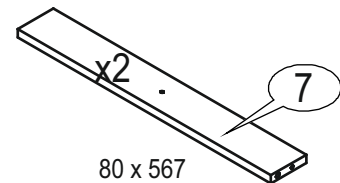
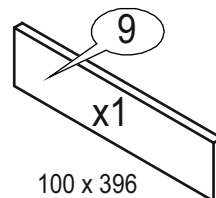
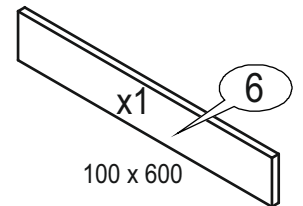
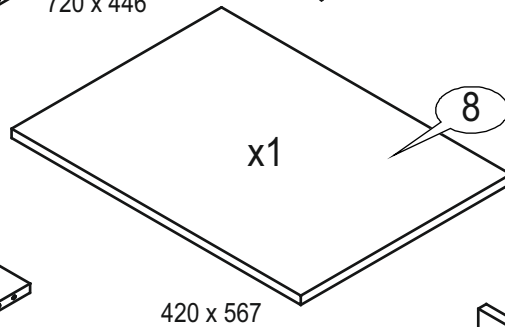
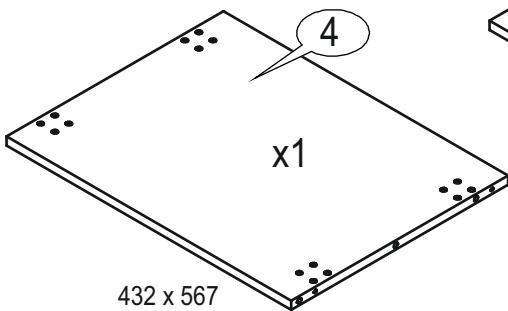
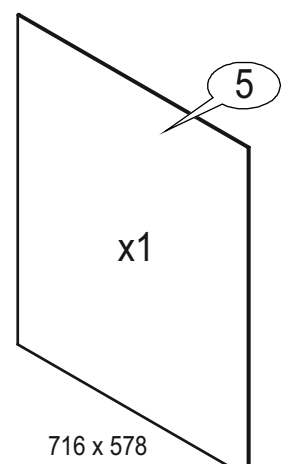
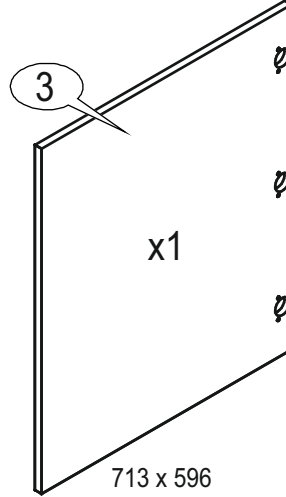
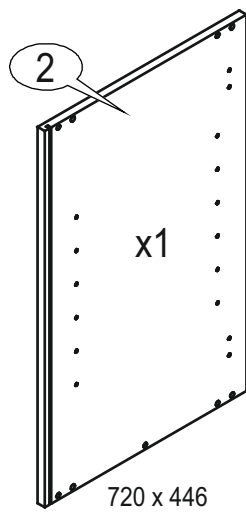
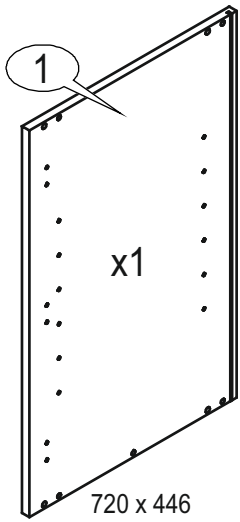
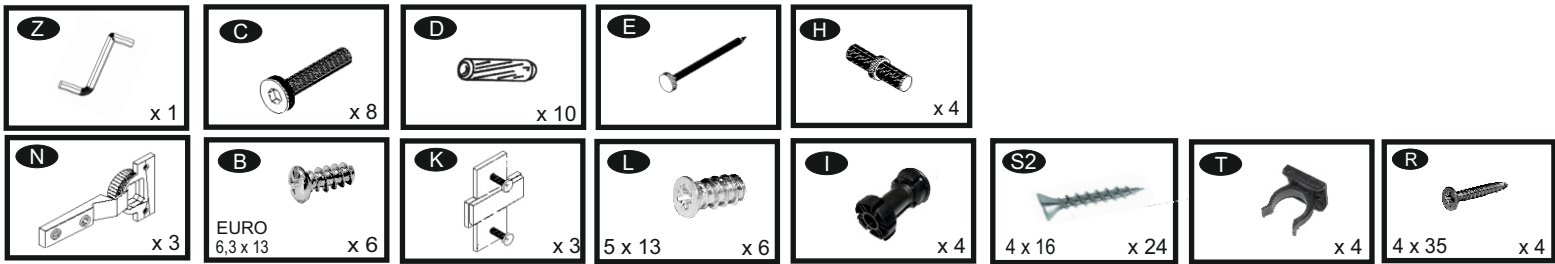
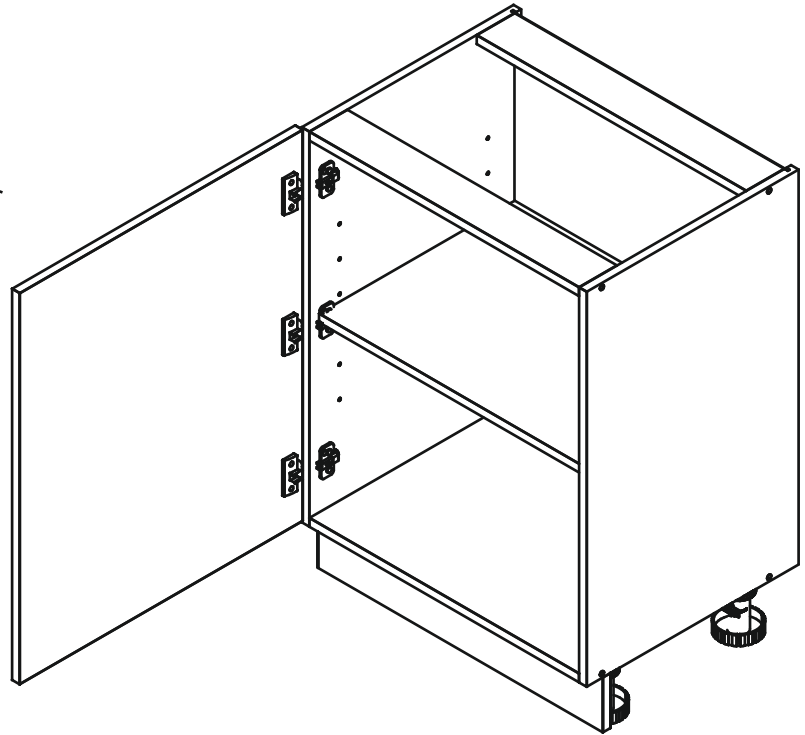
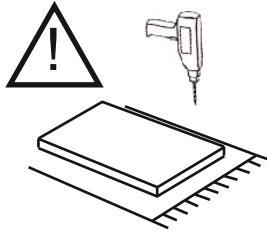
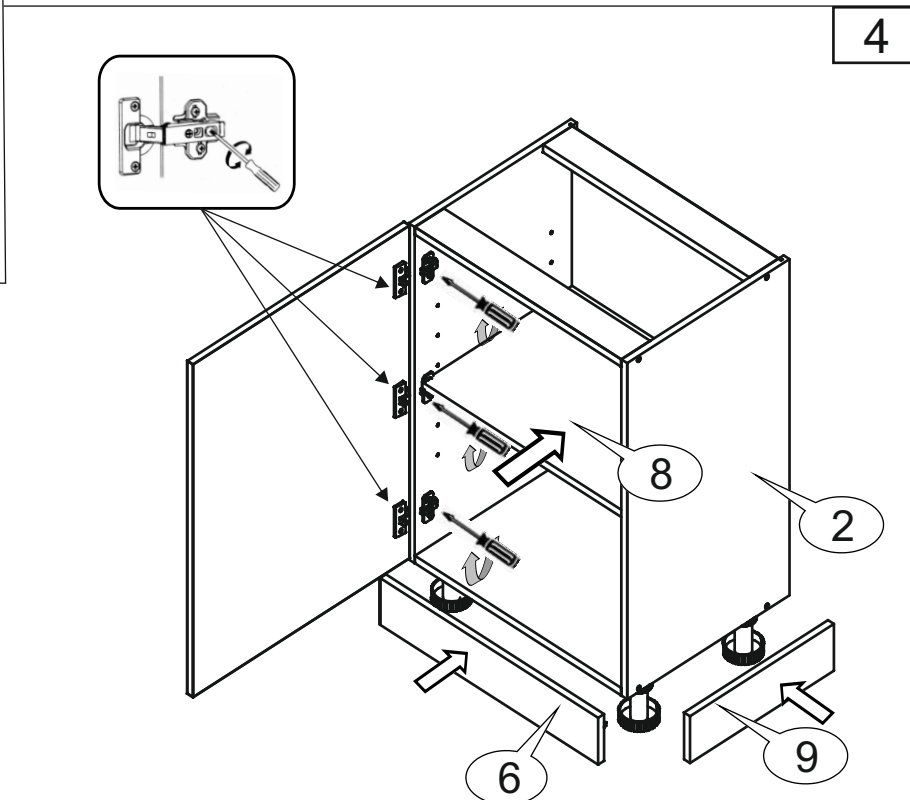
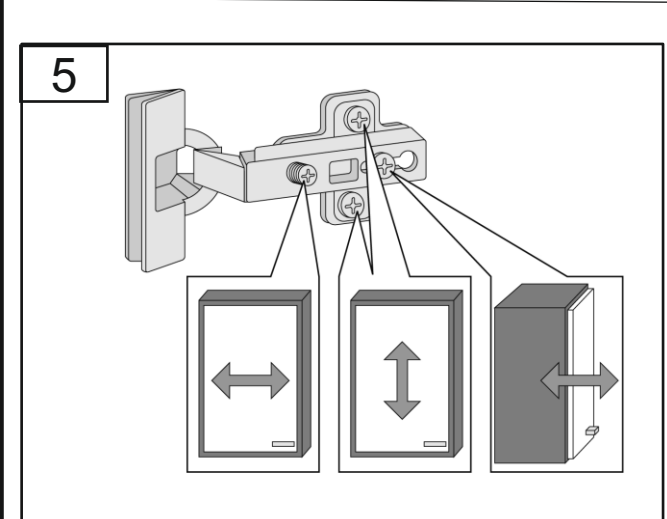
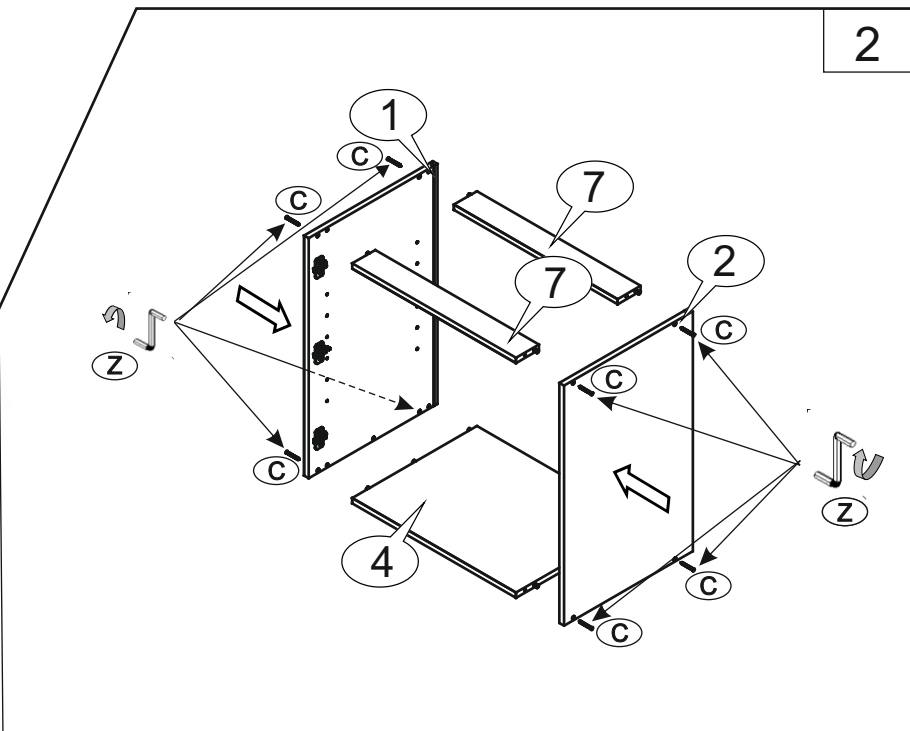
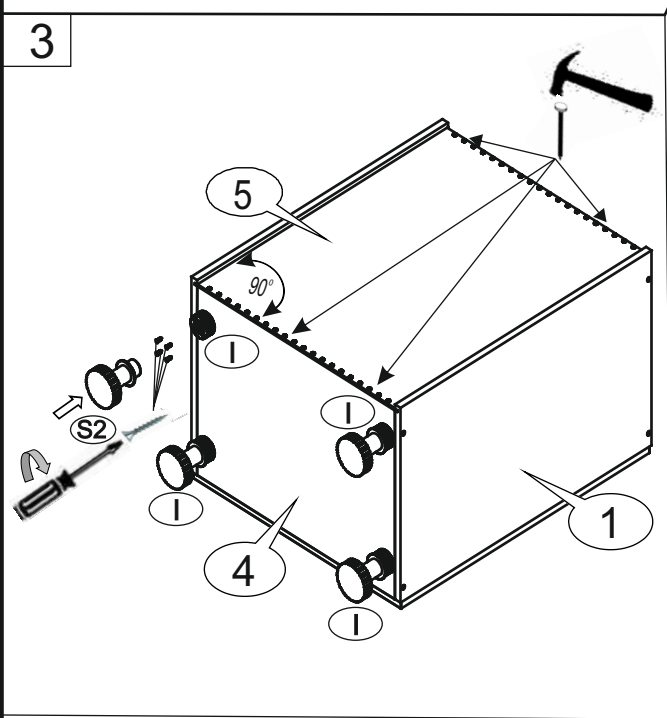
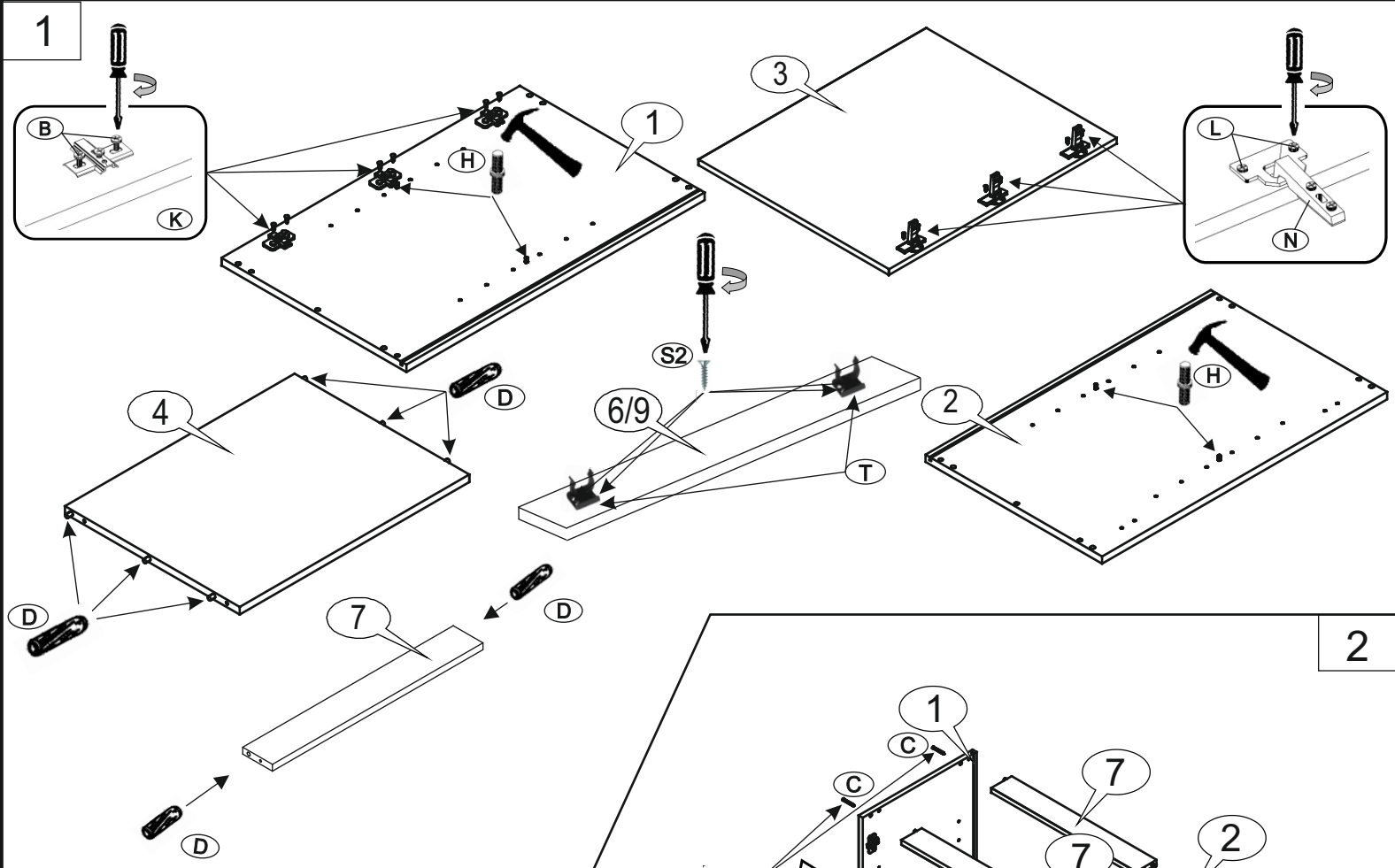


D60ZL; D80ZL

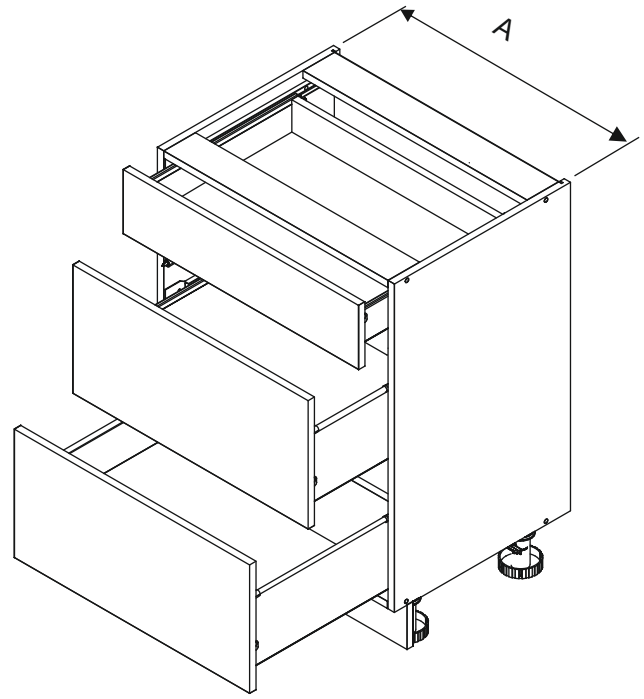
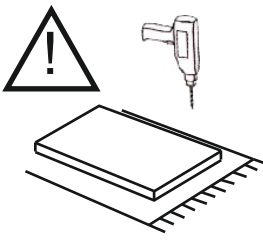






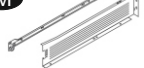
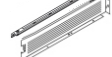








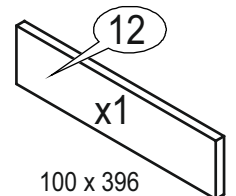
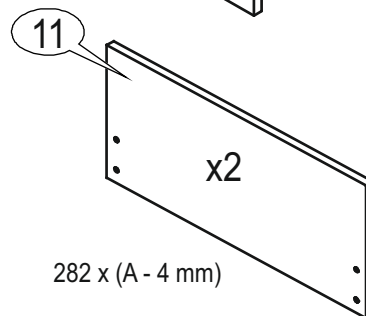
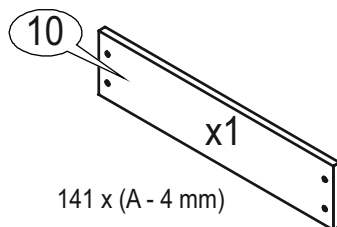
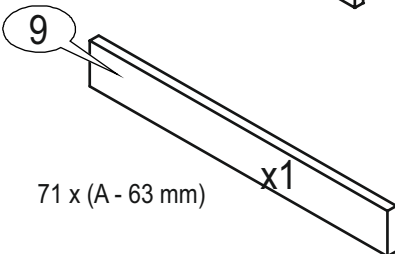
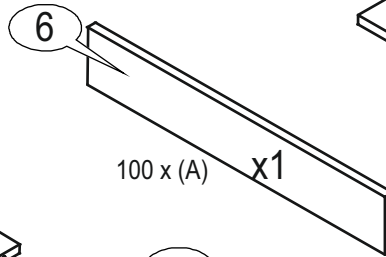
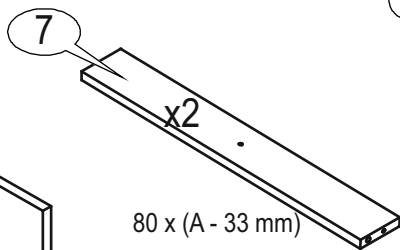
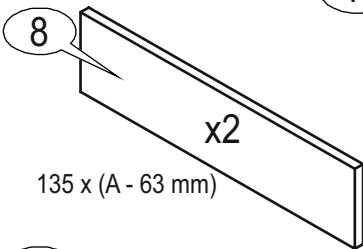
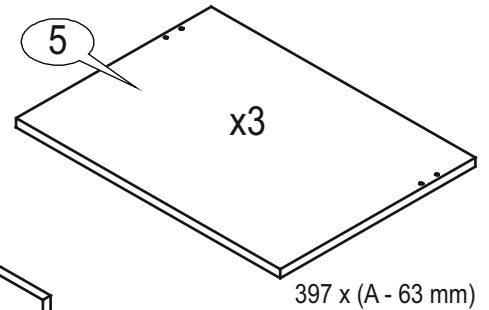
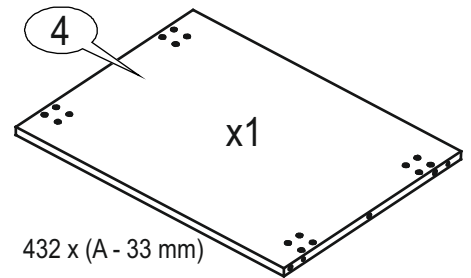
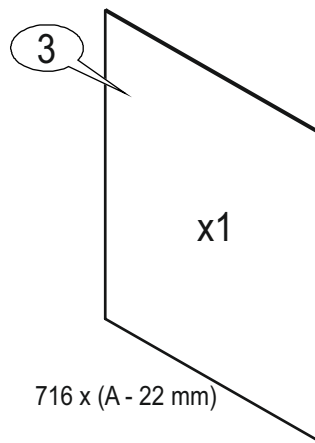
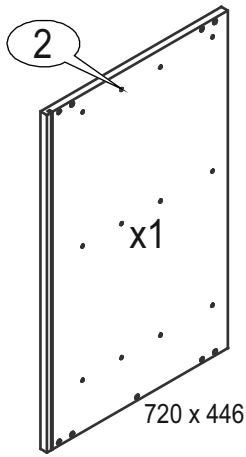
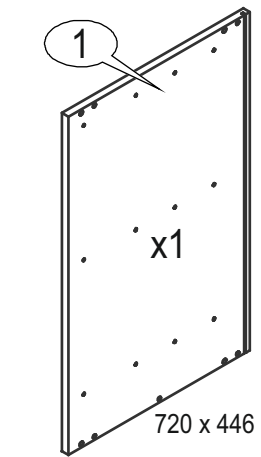


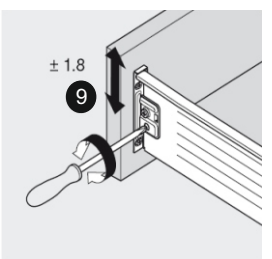
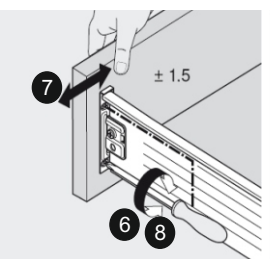
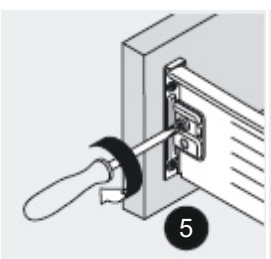
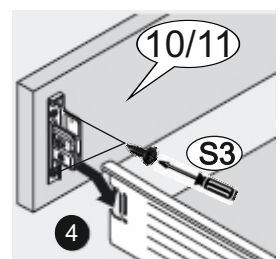
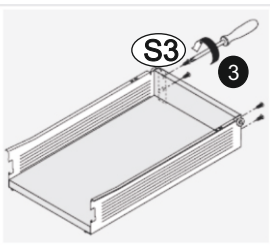
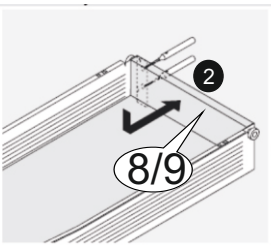
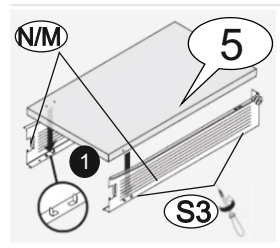
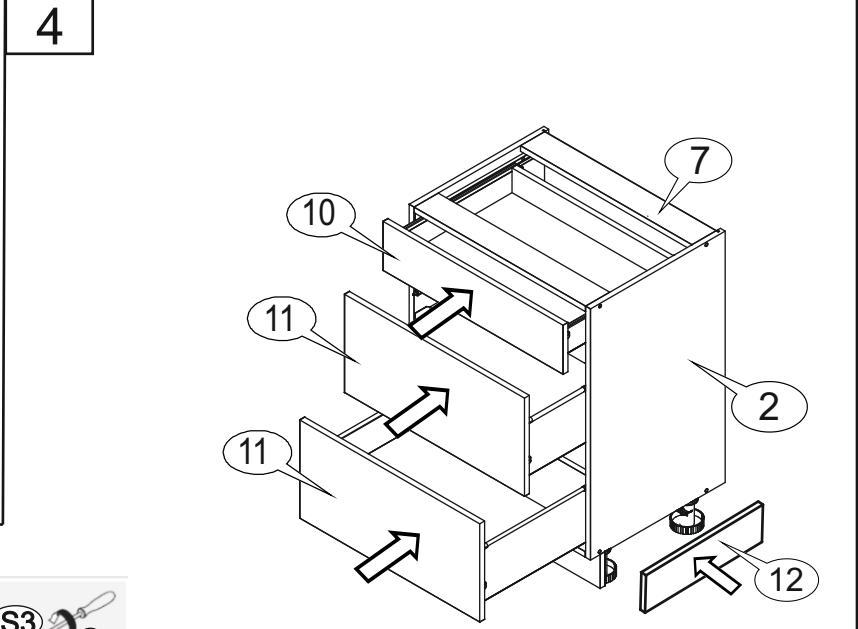
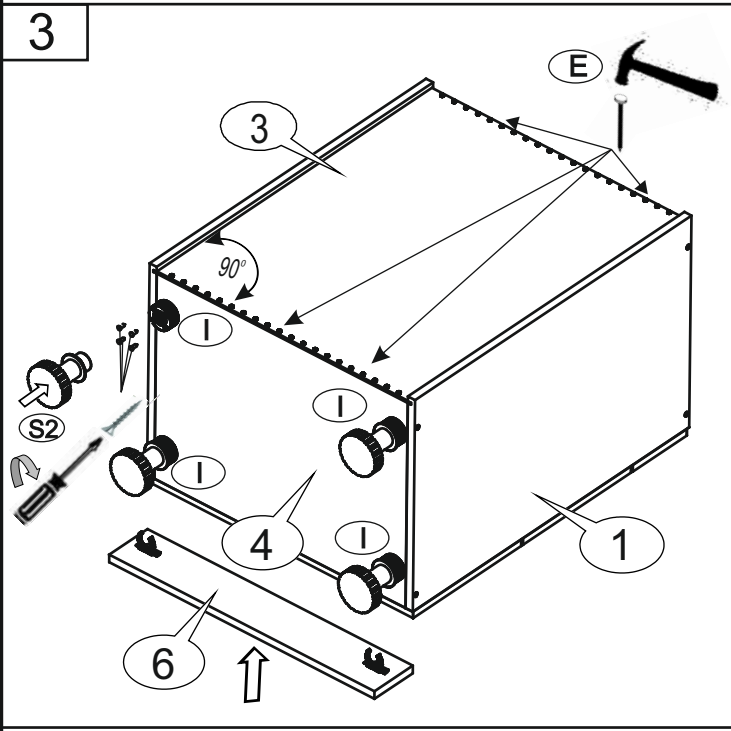
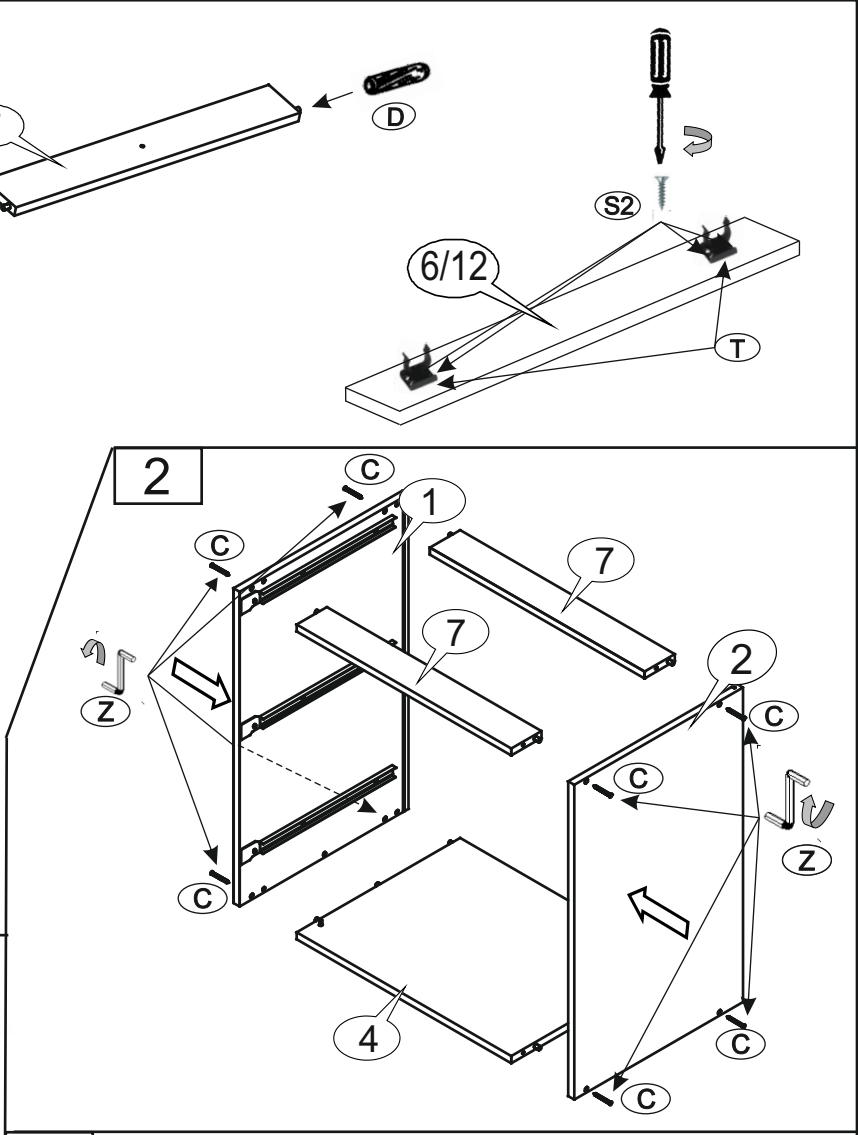
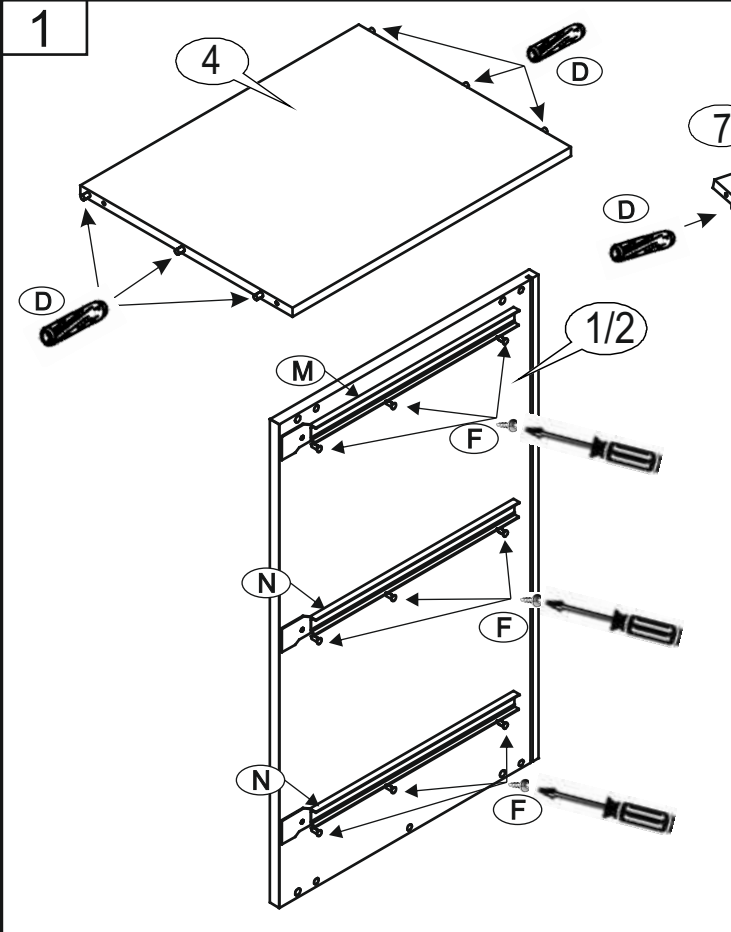


D40 S/3; D45 S/3; D50 S/3; D60 S/3

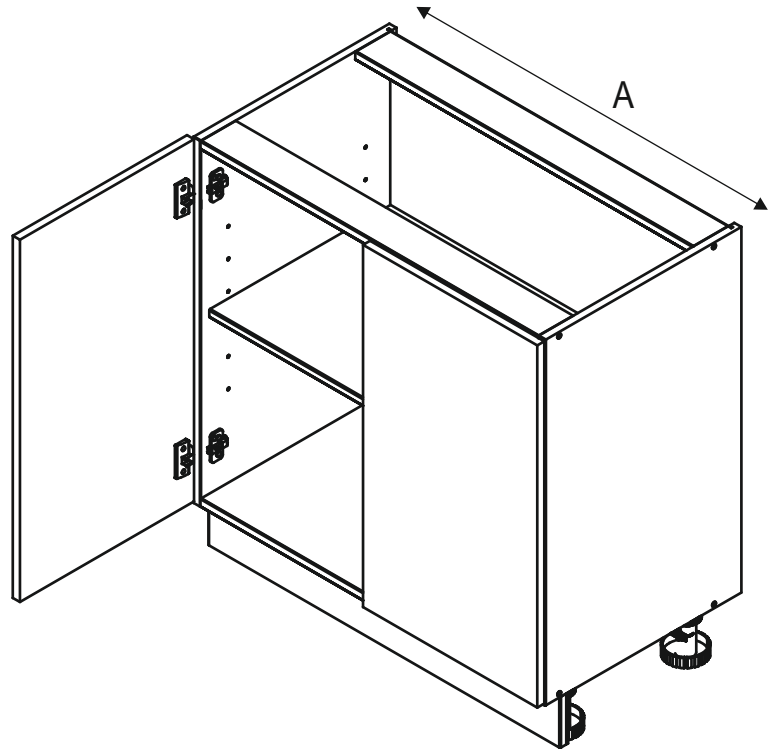
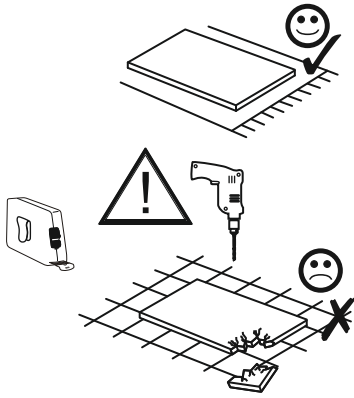
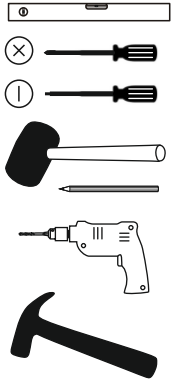


Z  x 1	C  x 8	D  x 10	E  x 20	M  H - 86 x 1 kpl.	N  H-150 x 2 kpl.	S3  4 x 12 x 36	F  6,3 x 13 x 18	
I  x 4	S2  4 x 16 x 24	T  x 4	R  4 x 35 x 2					

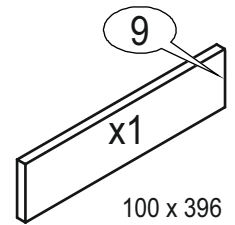
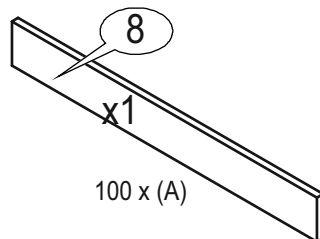
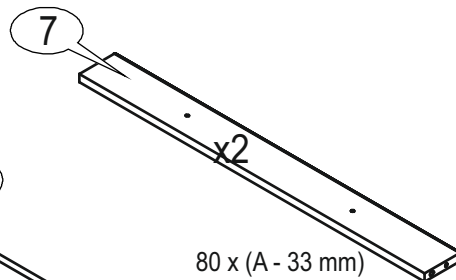
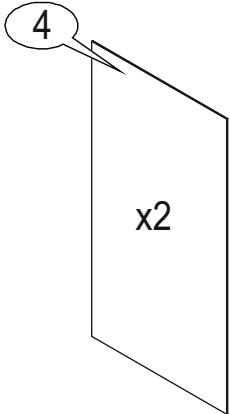
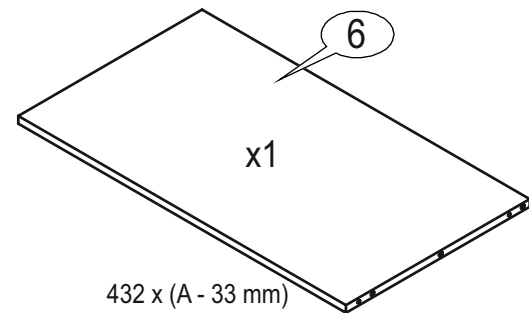
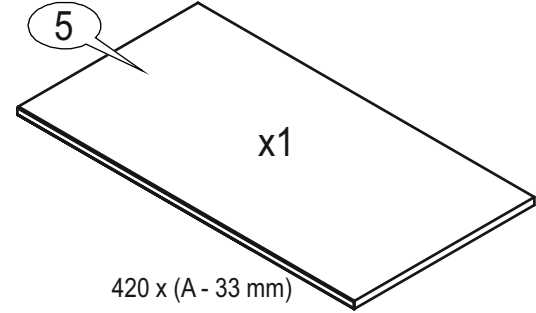
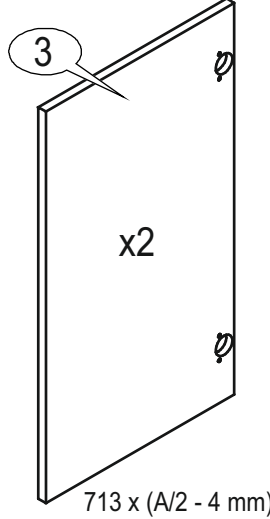
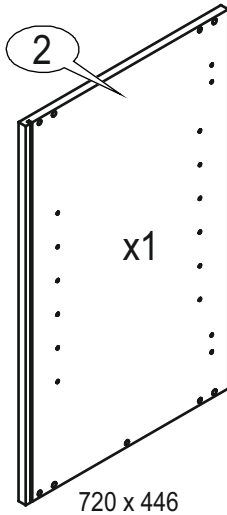
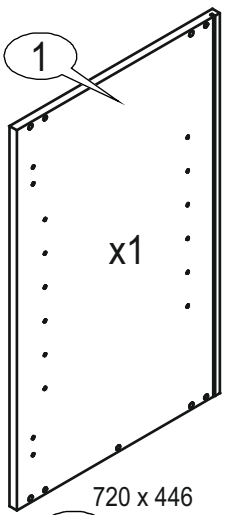




D80; D100



Z x 1	C x 8	D x 10	E x 1	H x 4	S2 4 x 16 x 24	H1 x 1
N x 4	B EURO 6,3 x 13 x 8	K x 4	L 5 x 13 x 8	I x 4	T x 4	R 4 x 35 x 4

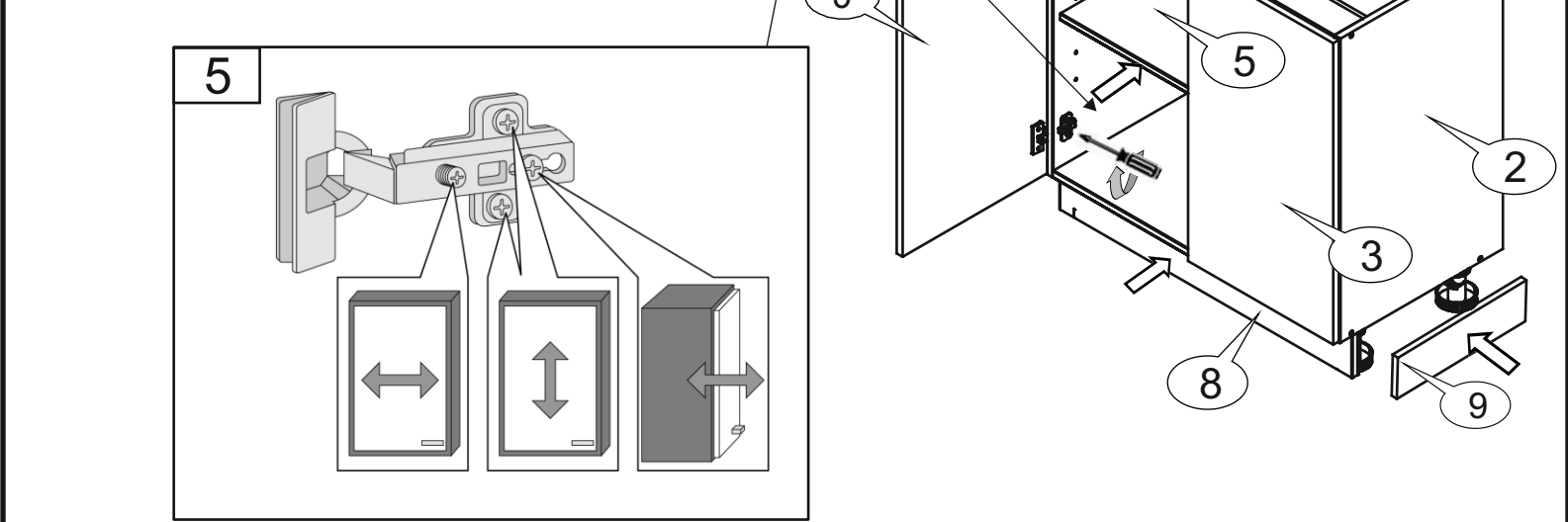
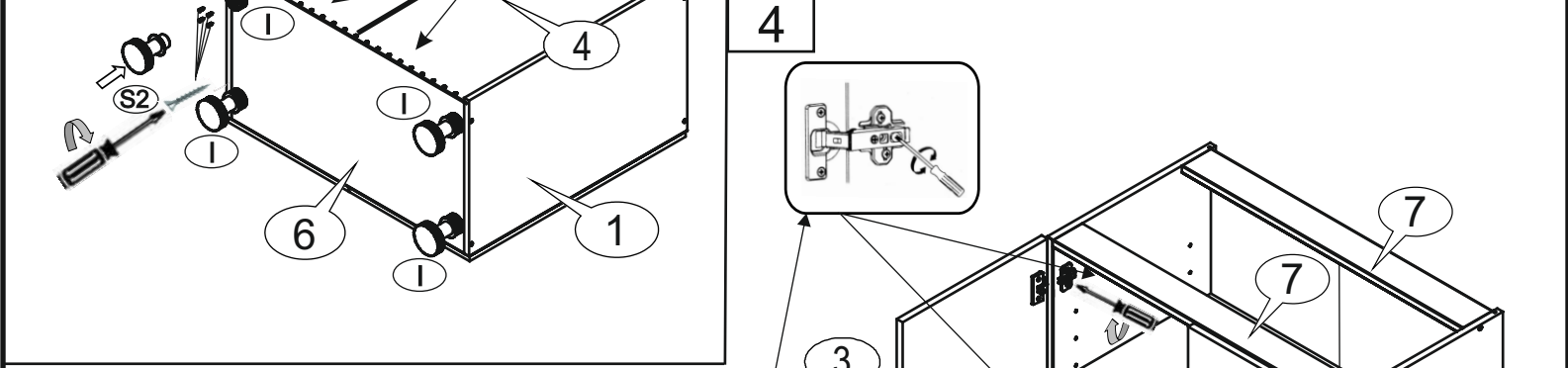
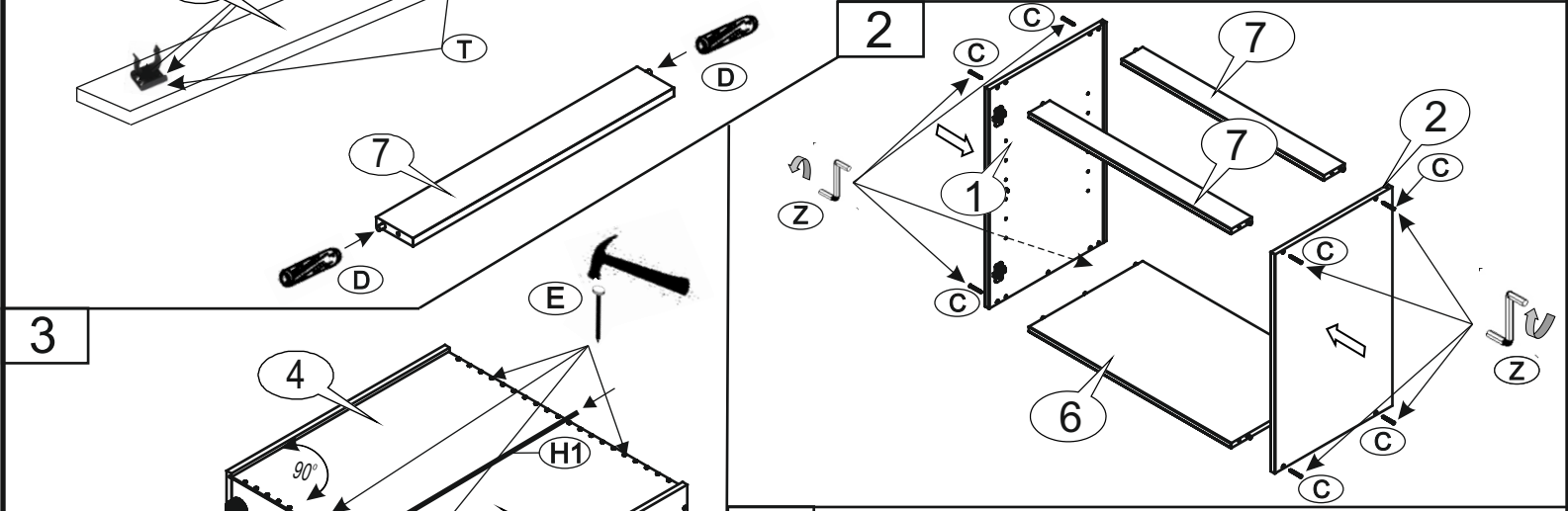
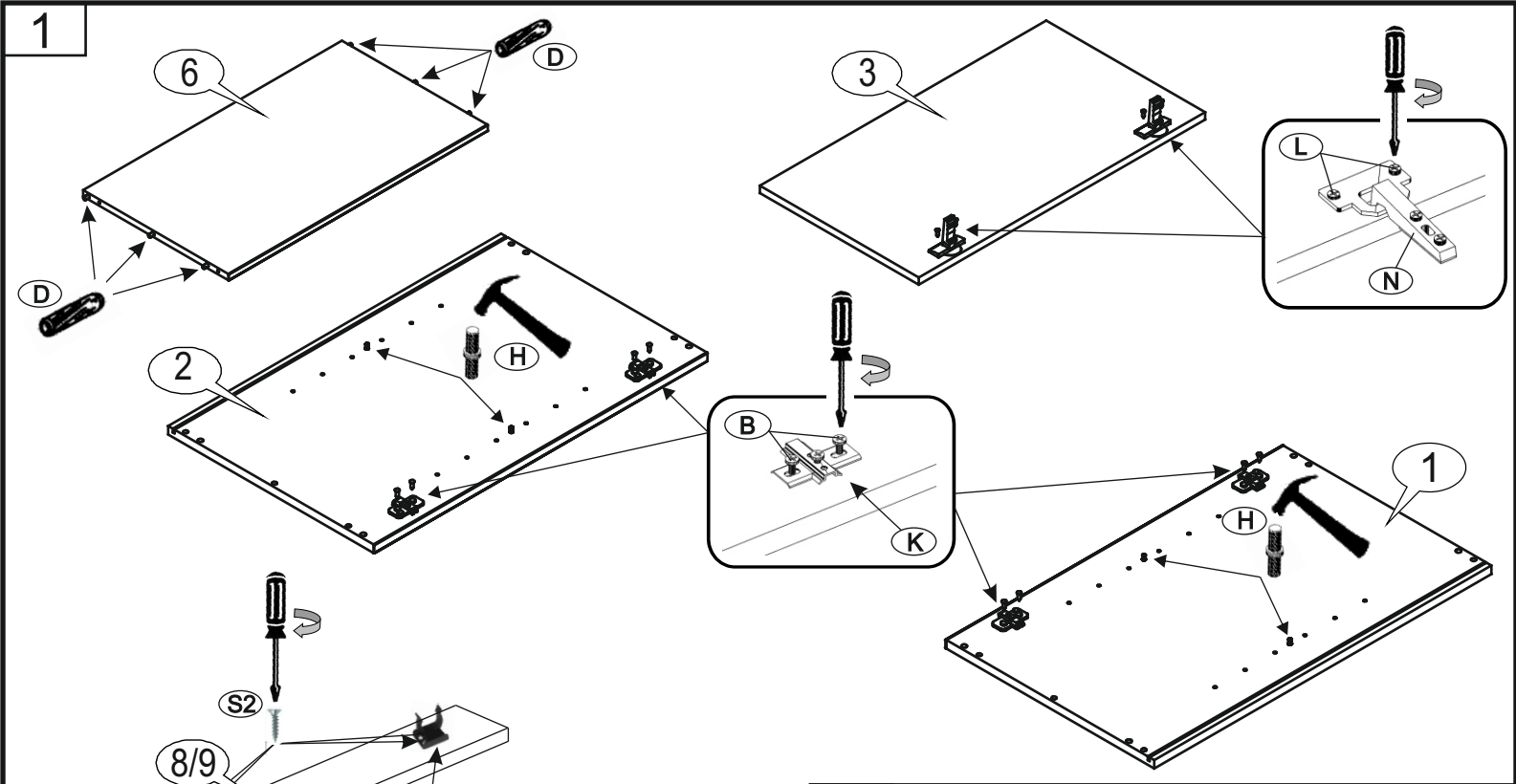


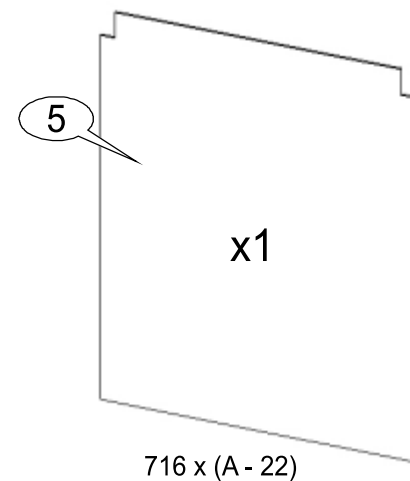
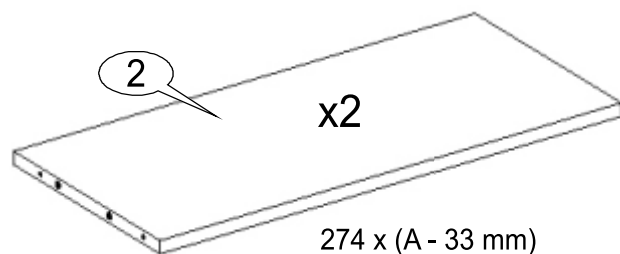
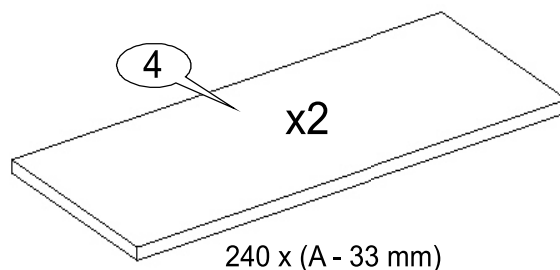
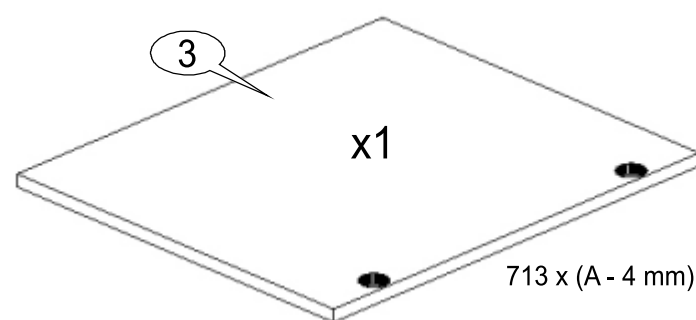
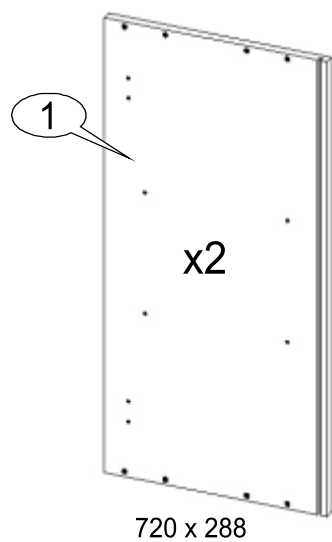
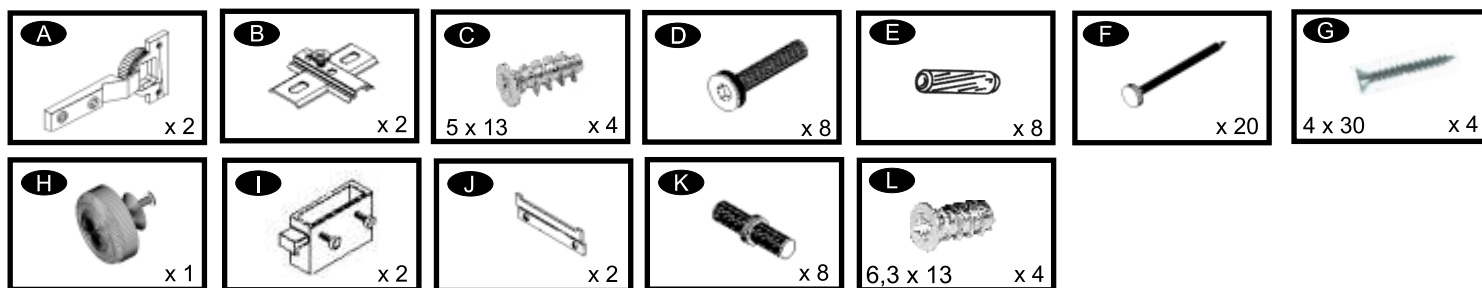
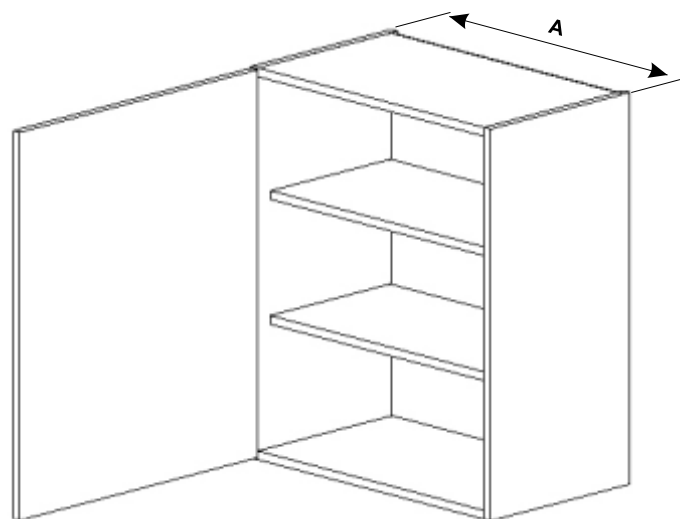
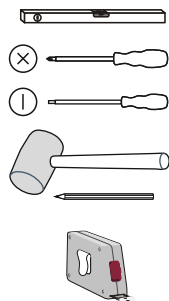
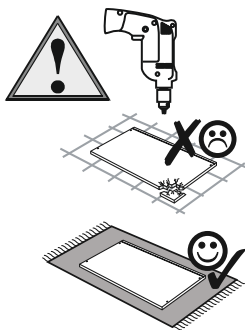
716 x (A/2 - 11 mm)

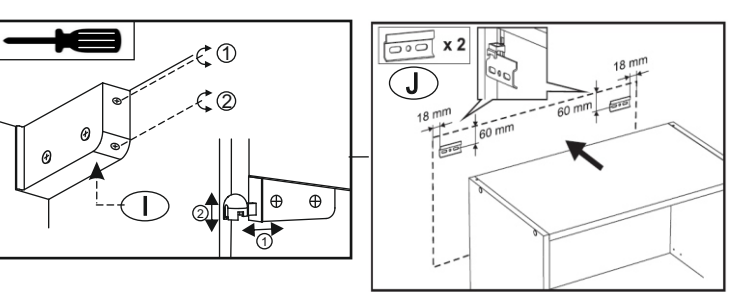
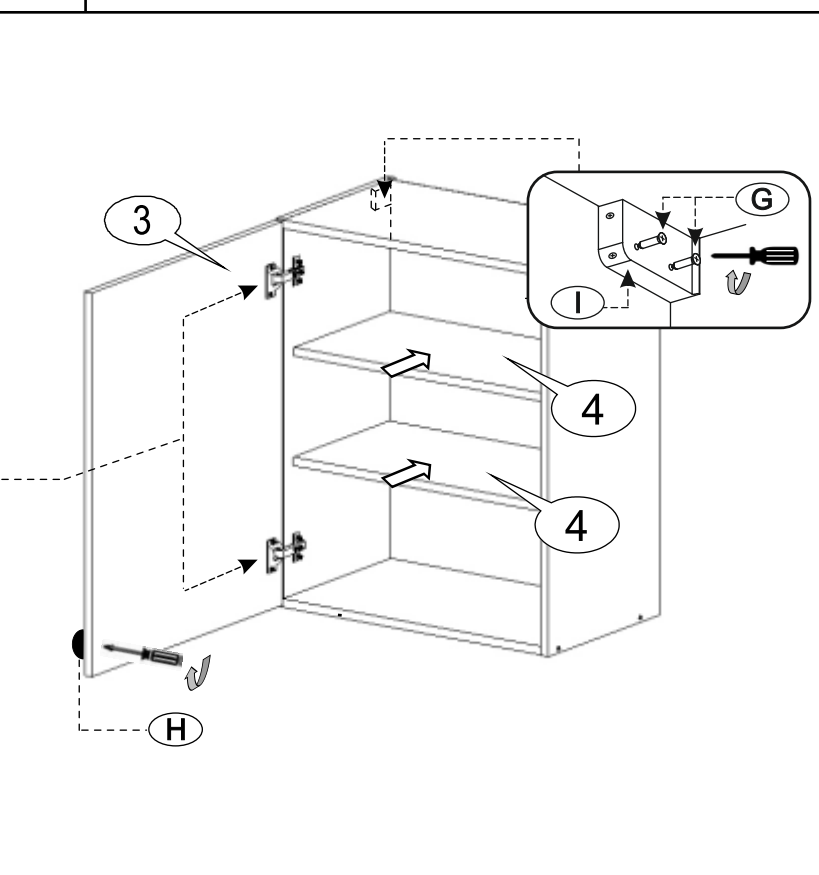
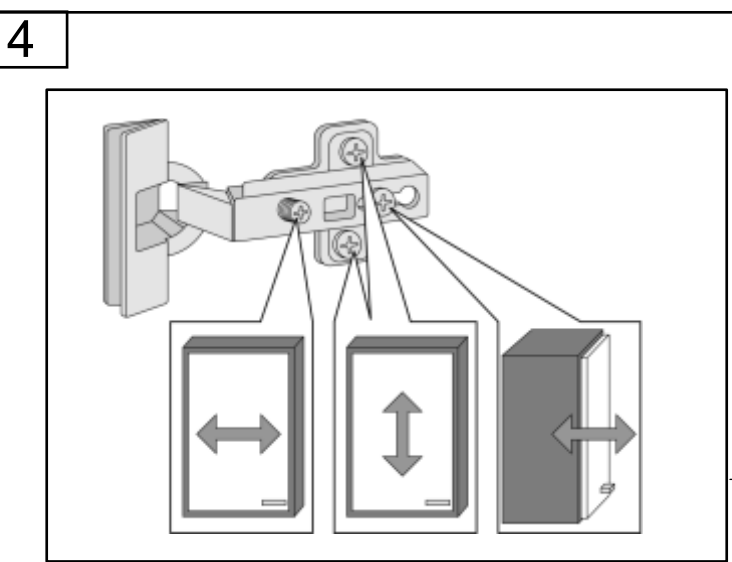
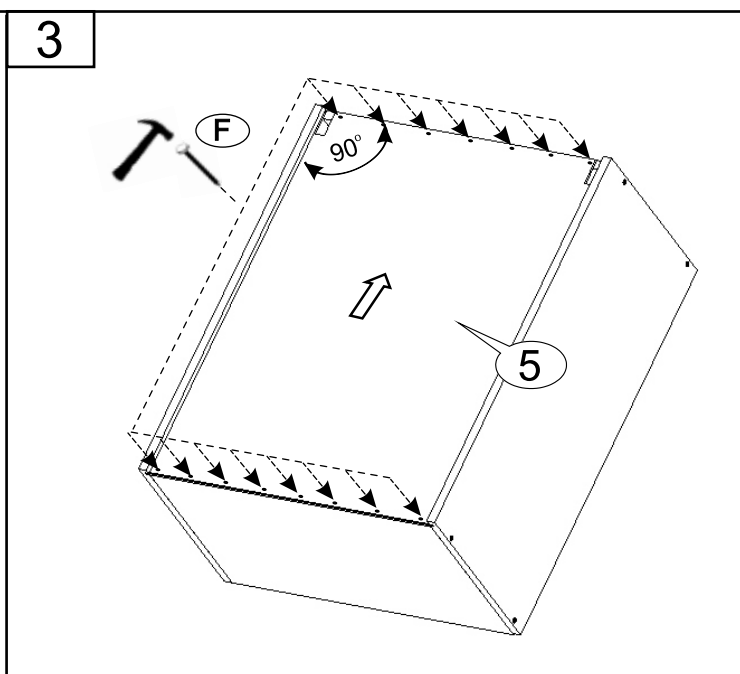
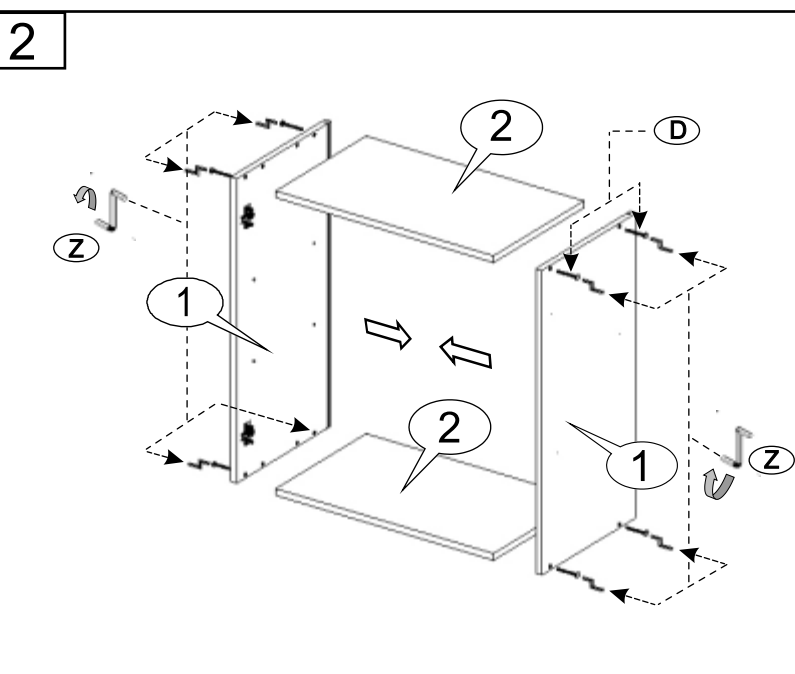
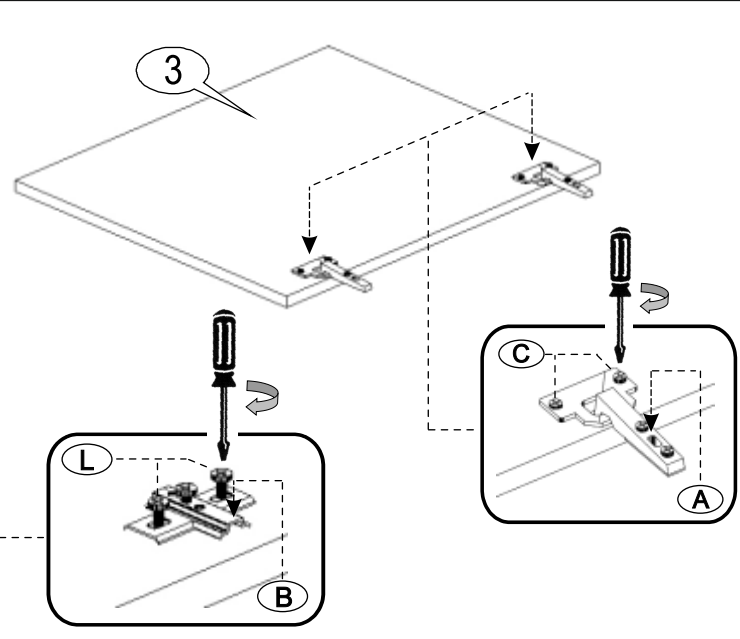
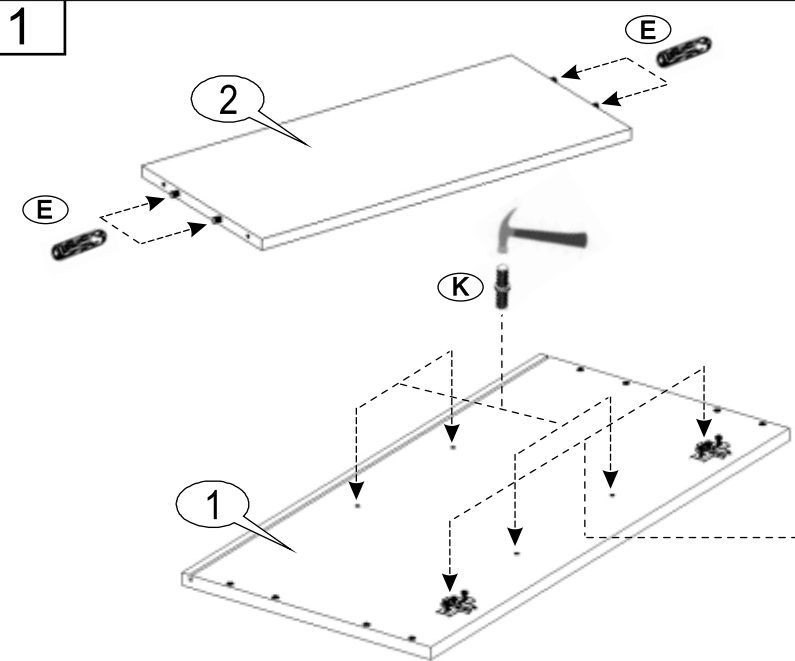
100 x (A)

80 x (A - 33 mm)

100 x 396







W60SU ALU; W80SU ALU

v.1

