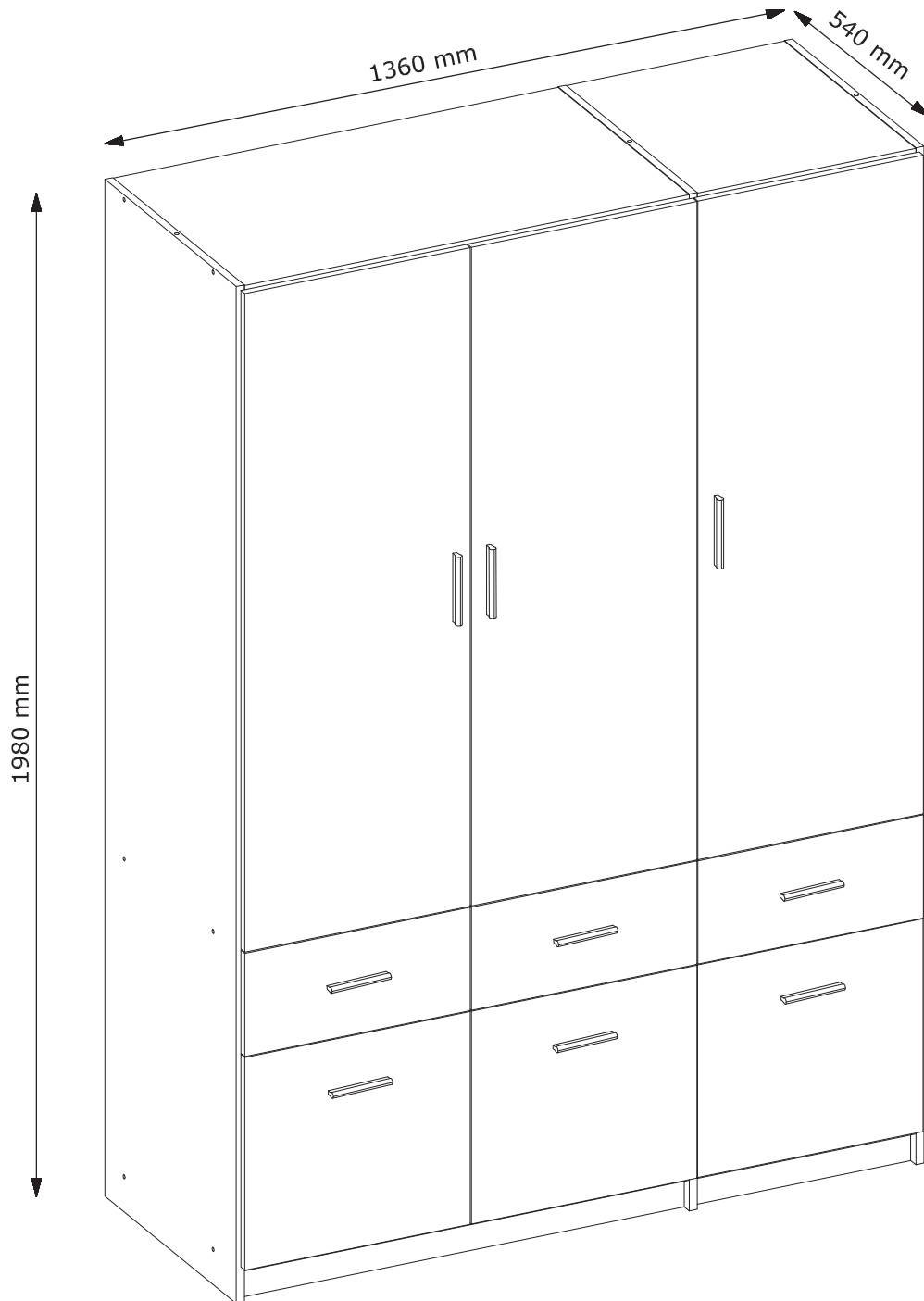
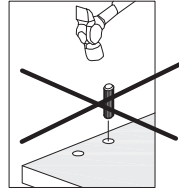
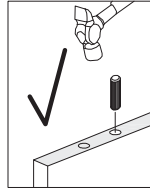
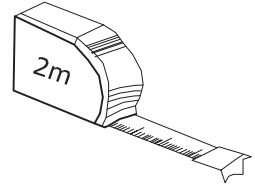
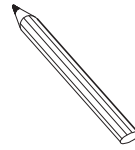
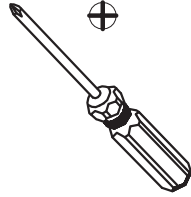
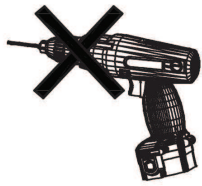
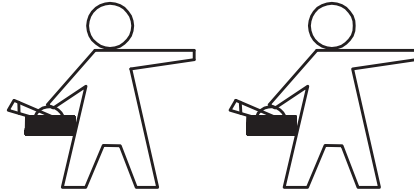
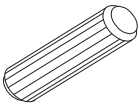
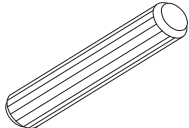




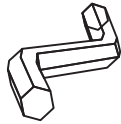


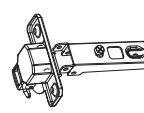
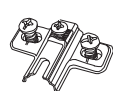


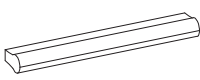
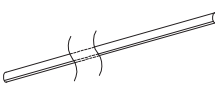
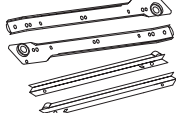
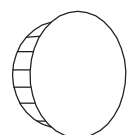


SNOW

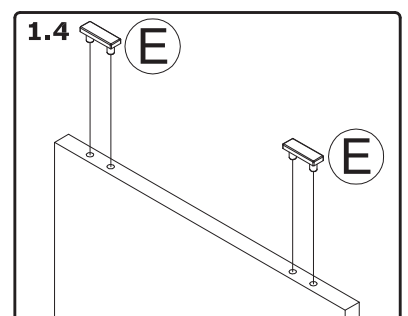
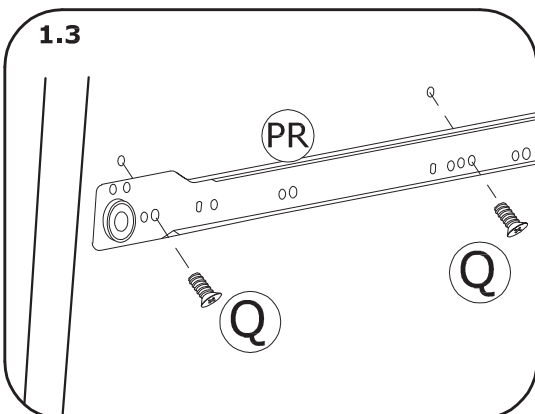
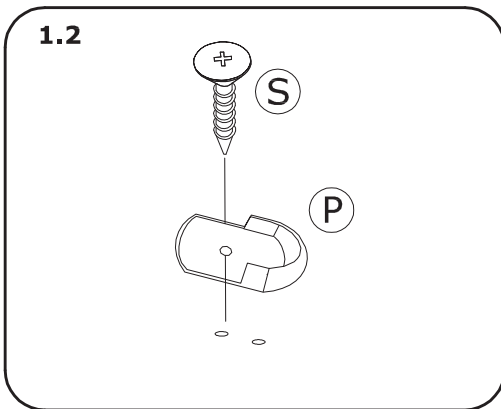
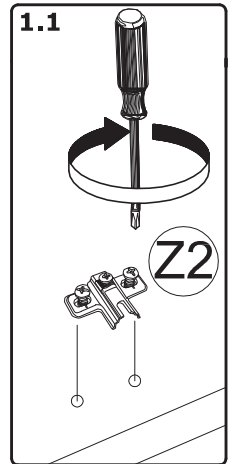
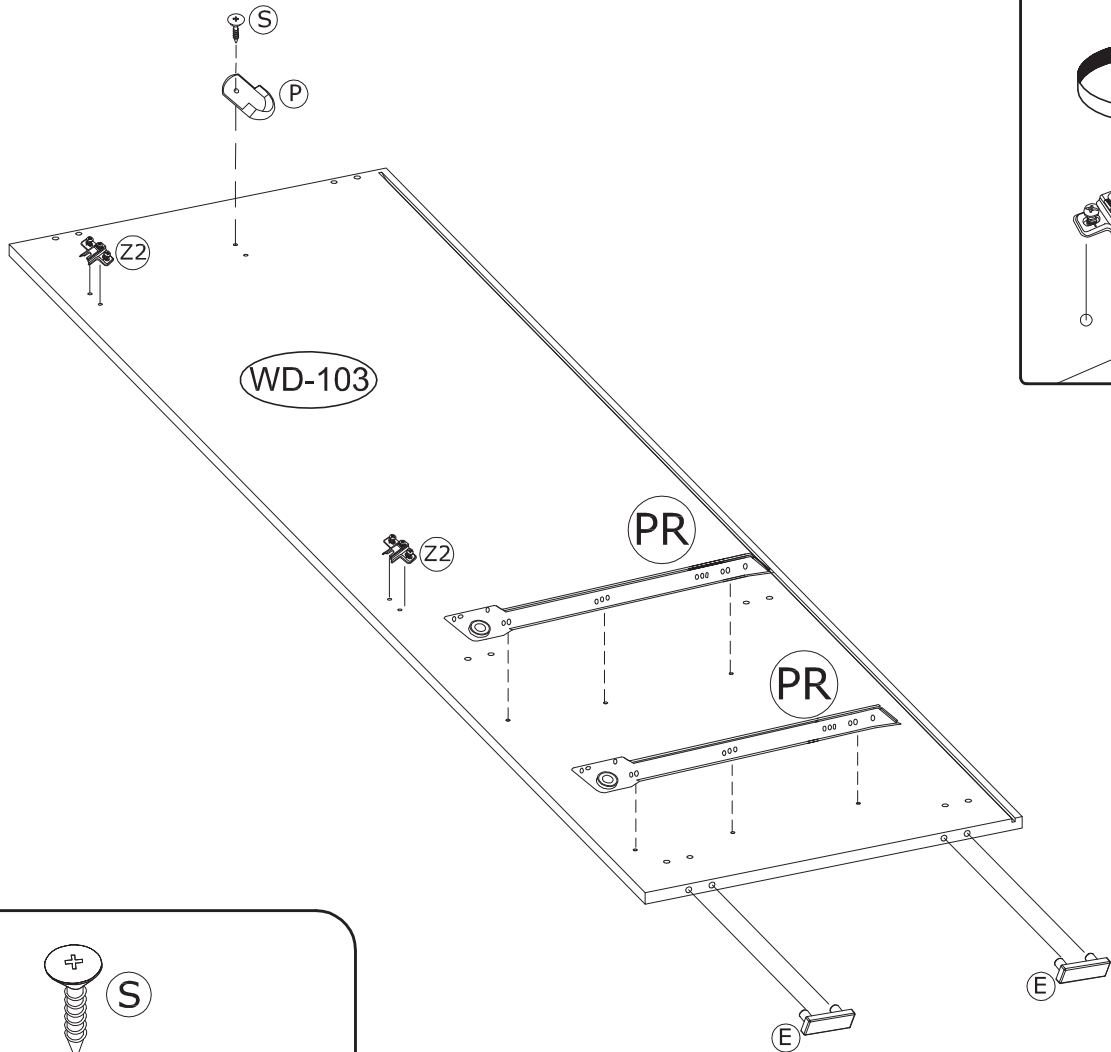
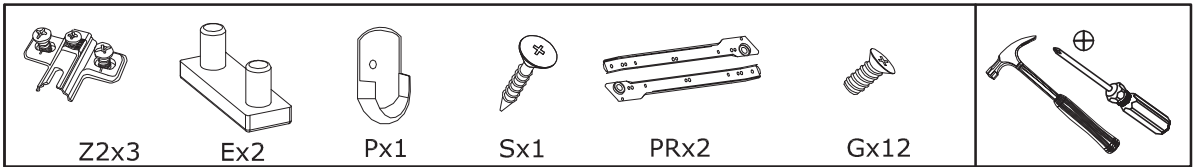
04



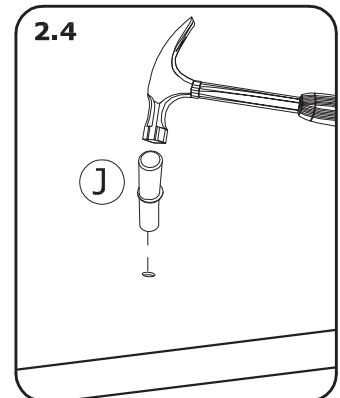
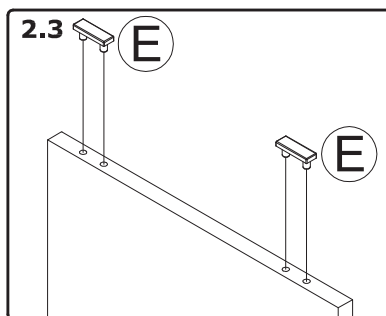
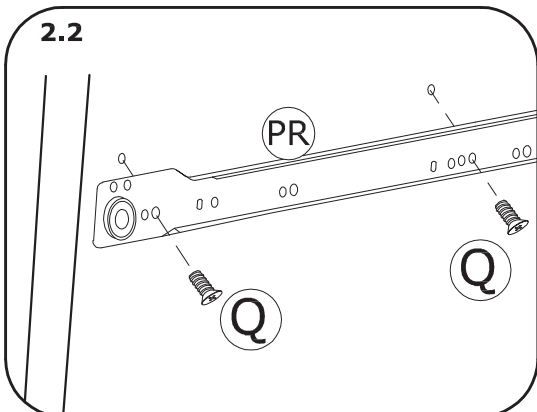
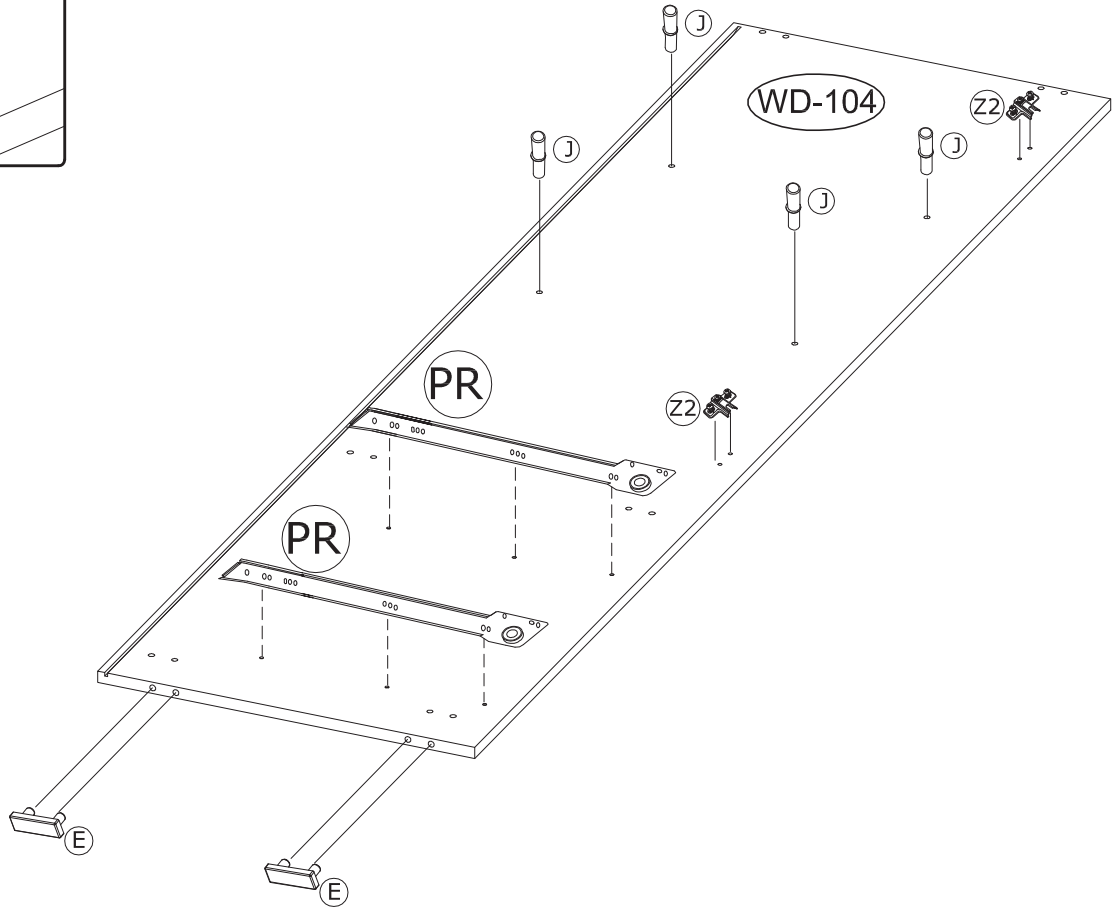
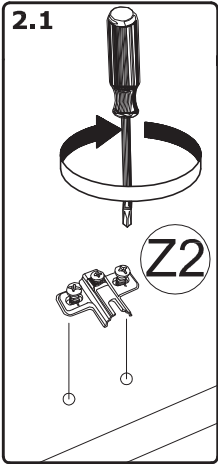
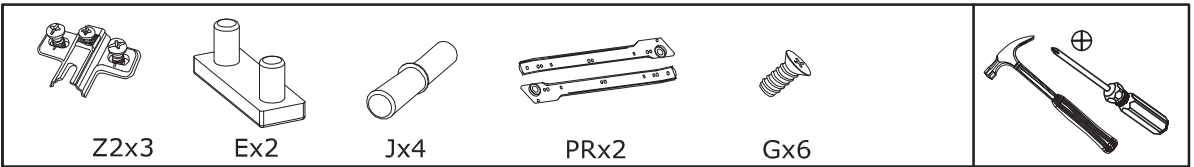


 Ø8x30mm Ax38	 Ø8x50mm A1x6	 Ø15x11mm Bx24	 Ø6.5x36.5mm Dx12
 C1-24	 DD-6	 Ø6,4x50mm T-16	 C-16
 Ox30	 Ø3.5x16mm Hx36	 4,0 mm V1-1	 Ø4,0x25mm Rx18
 Gx4	 Ø6.3x11mm EUx4	 Px2	 5 mm Jx8
 Ex8	 Nx24	 Z1x6	 Z2x4
 Ø3.0x13mm Sx2	 Wx2	 KLx2	 Lx9
 L=872 mm DRx1	 L=450 mm PRx6	 Ø6.0x13,0mm Qx36	 C1x2

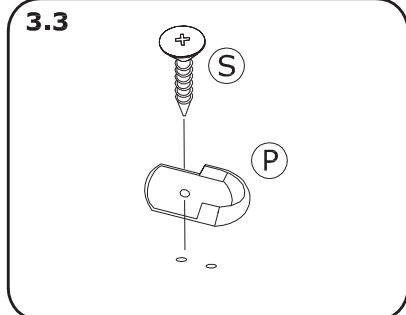
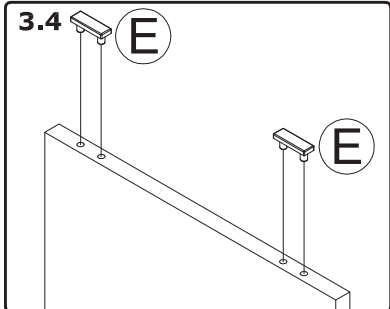
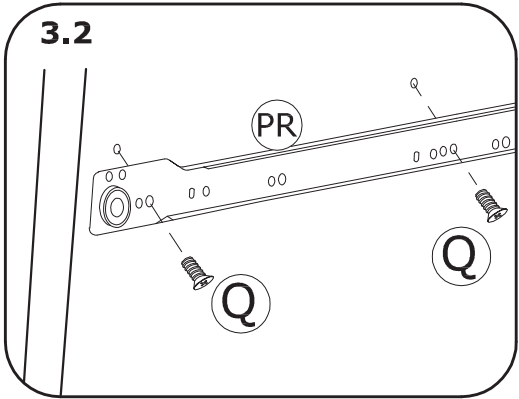
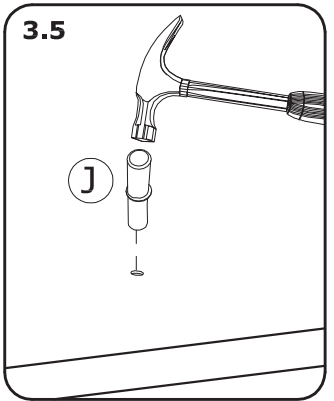
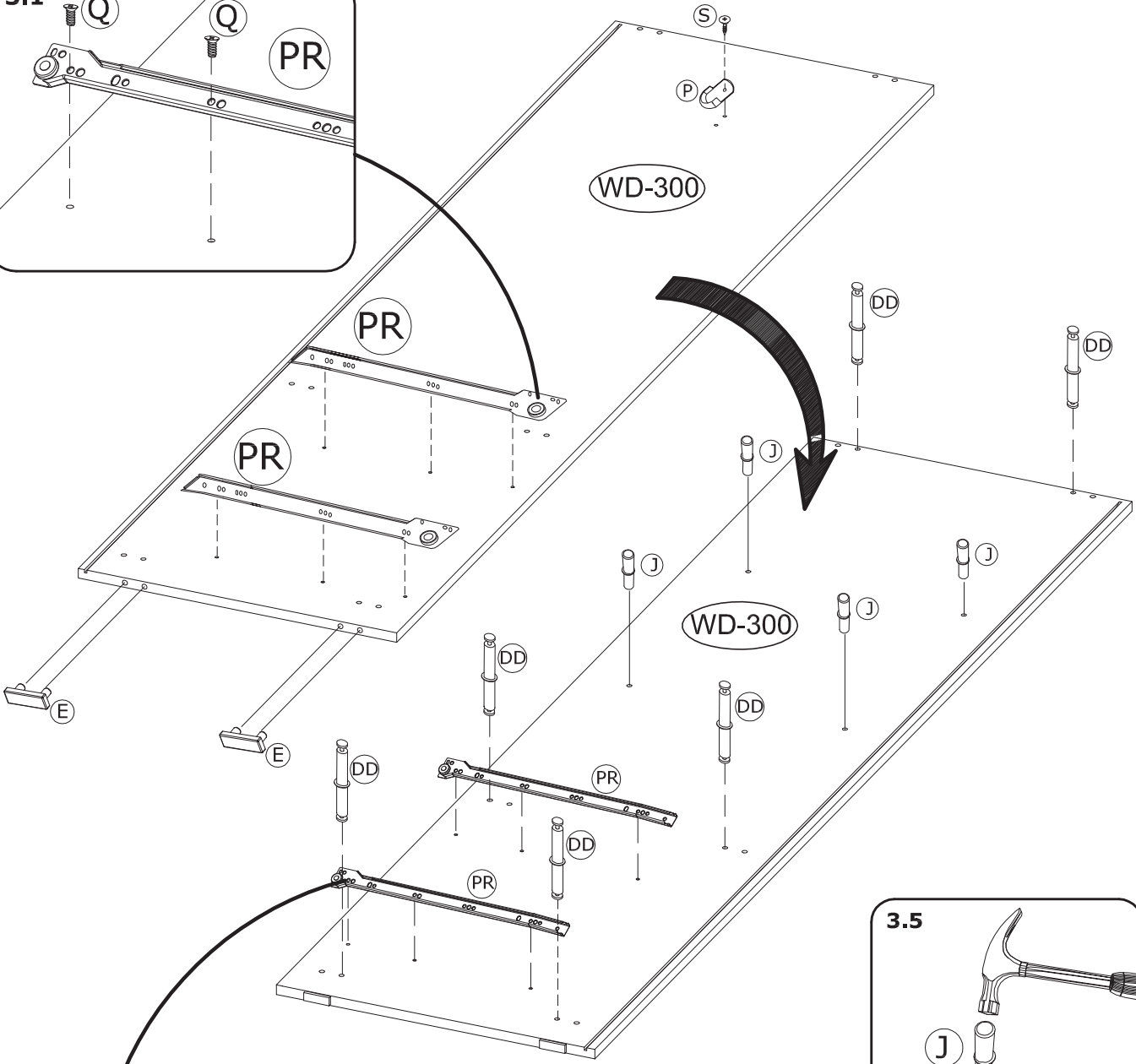
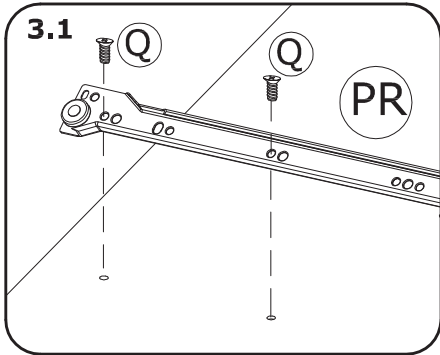
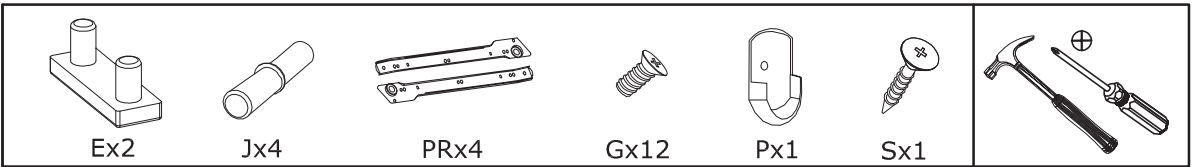
1



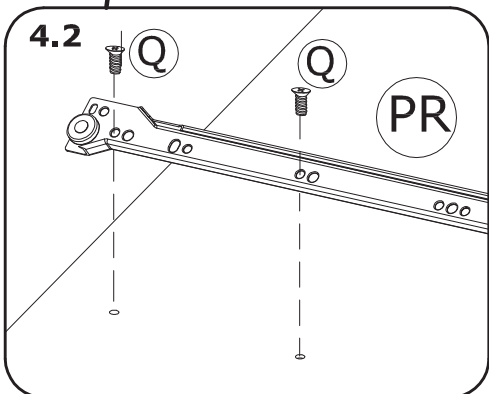
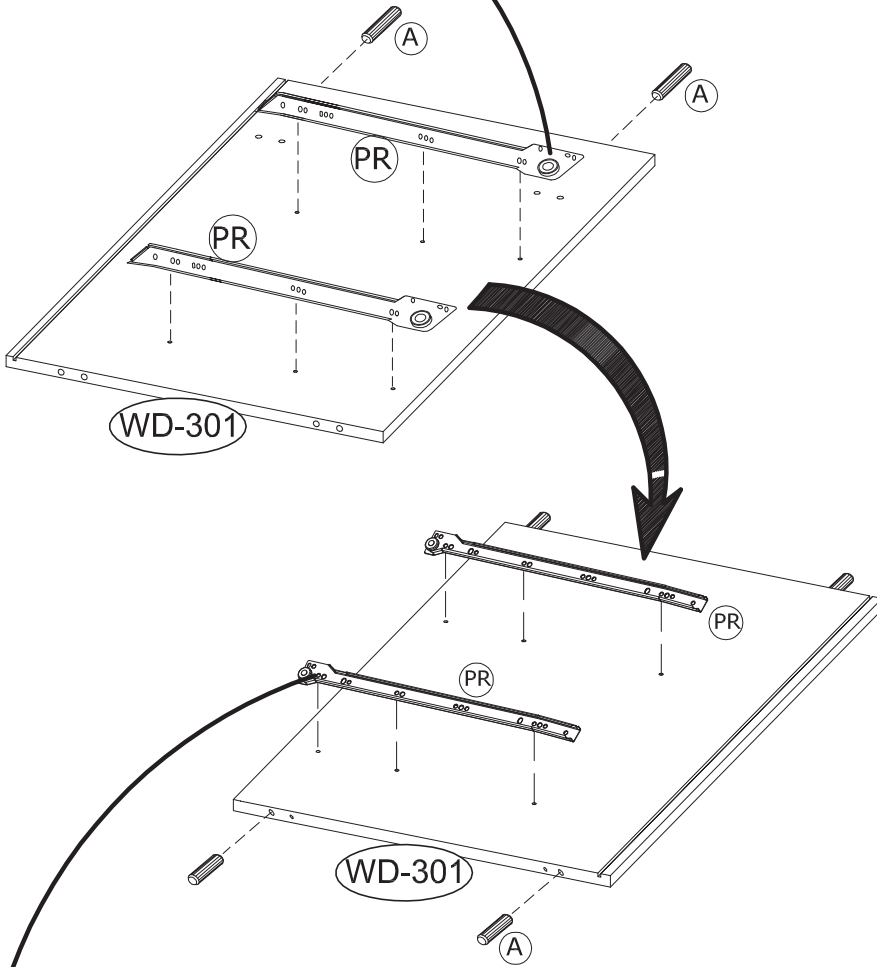
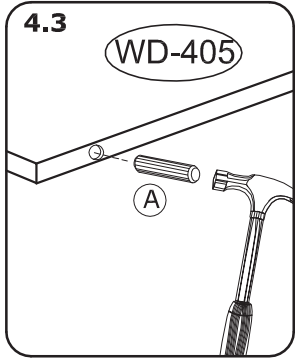
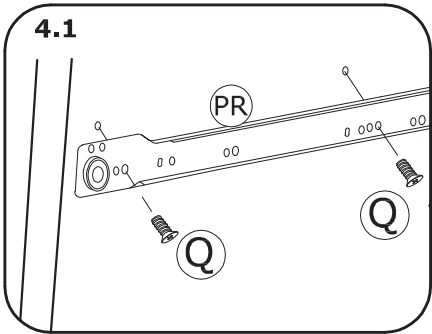
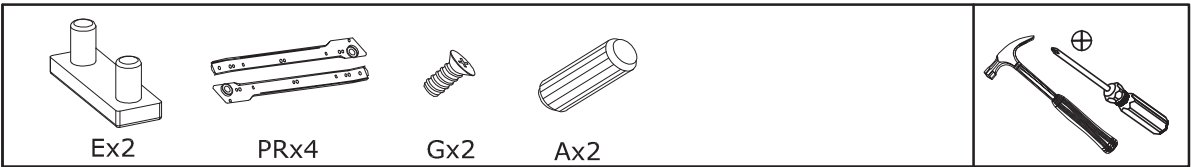
2



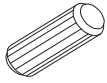
3



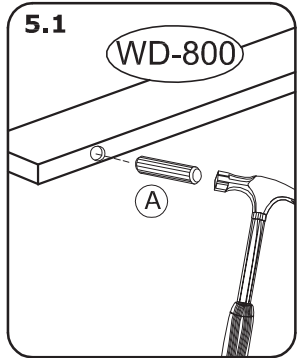
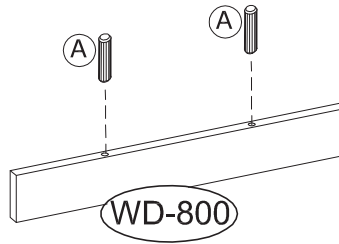
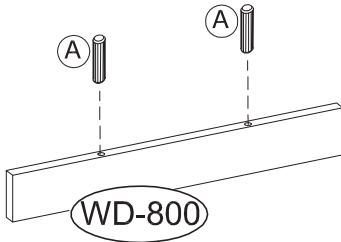
4



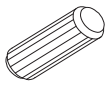
5



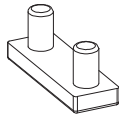
Ax4



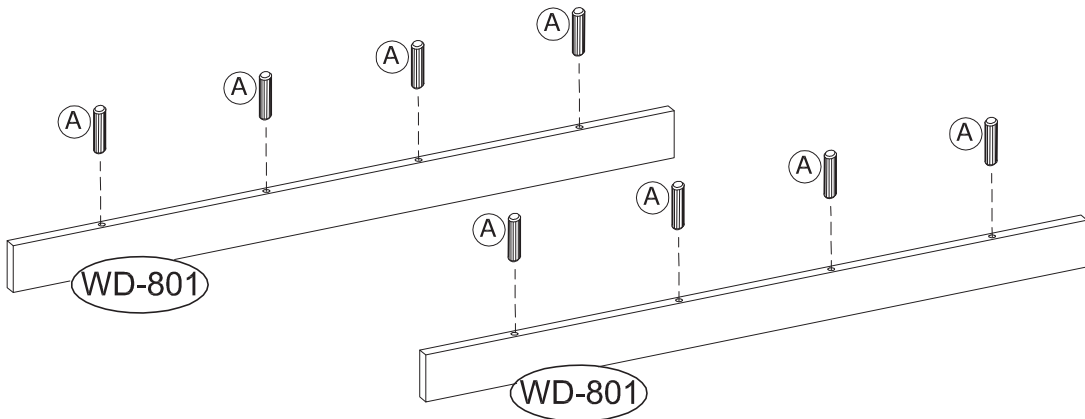
6



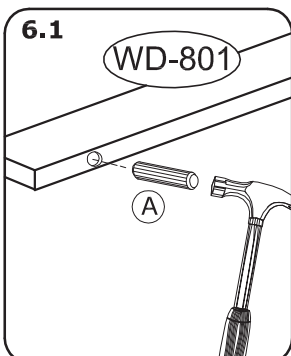
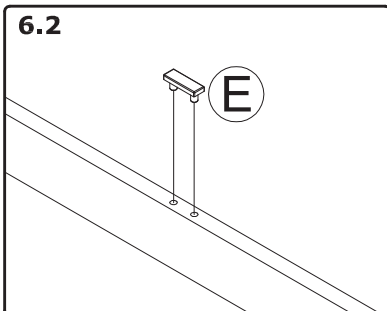
Ax8



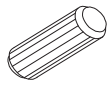
Ex2



6.2



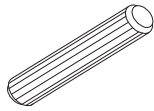
7



Ax2



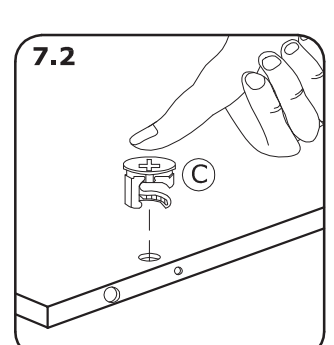
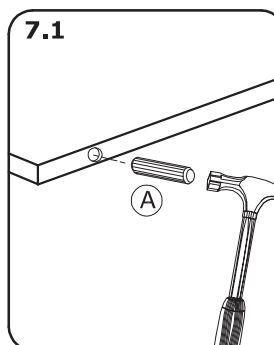
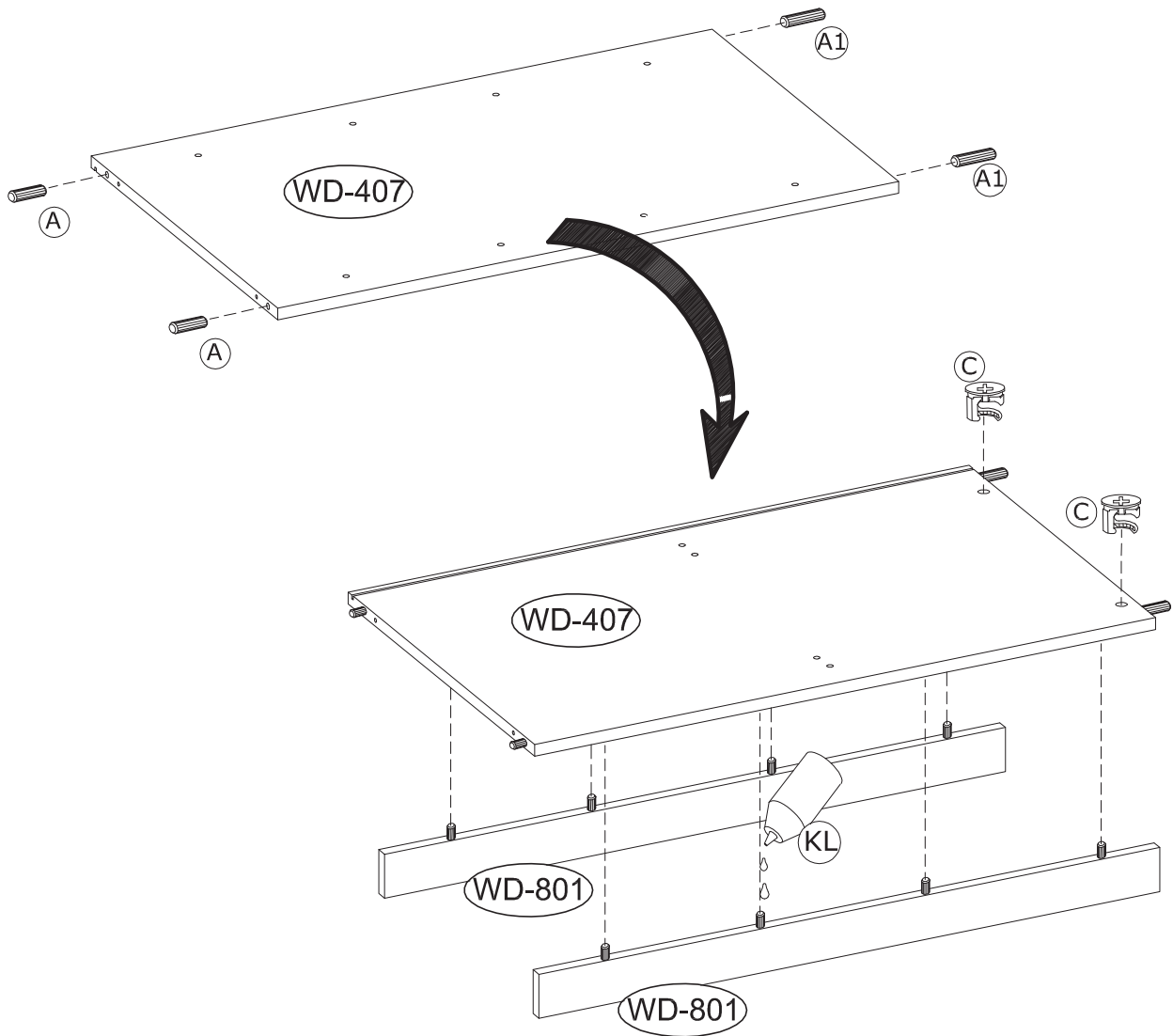
Cx2



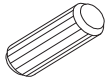
A1x2



KL



8



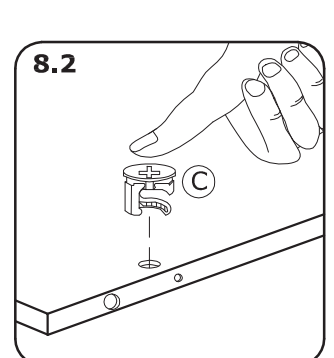
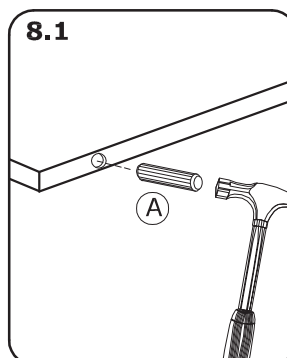
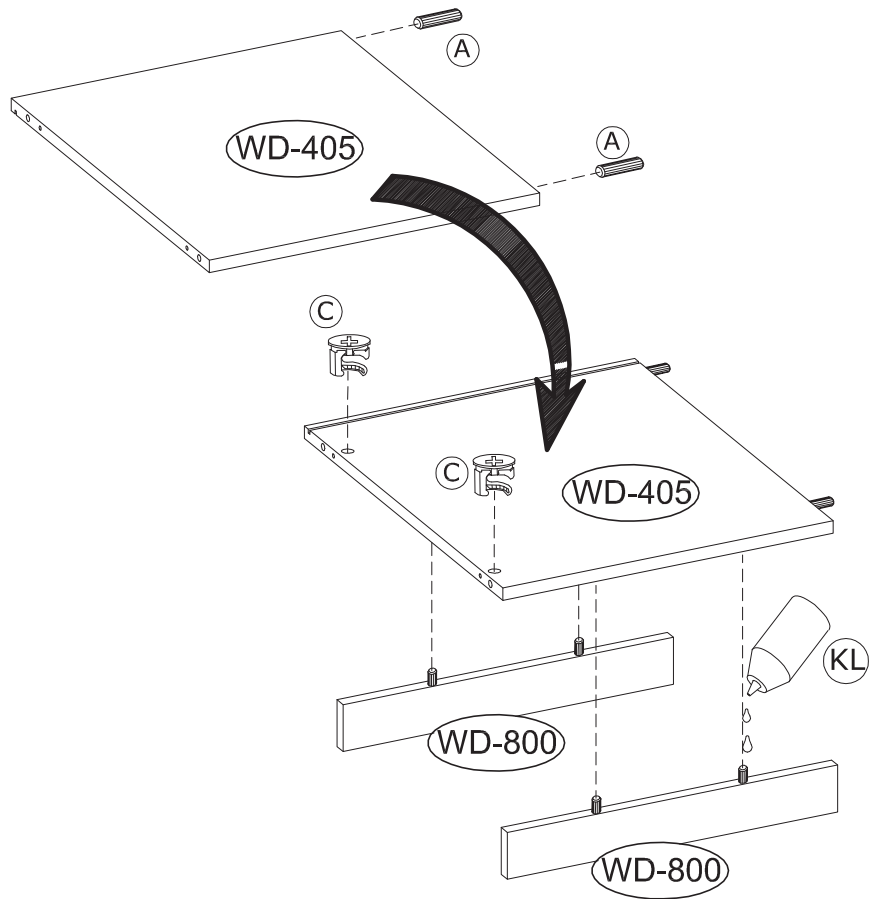
Ax2



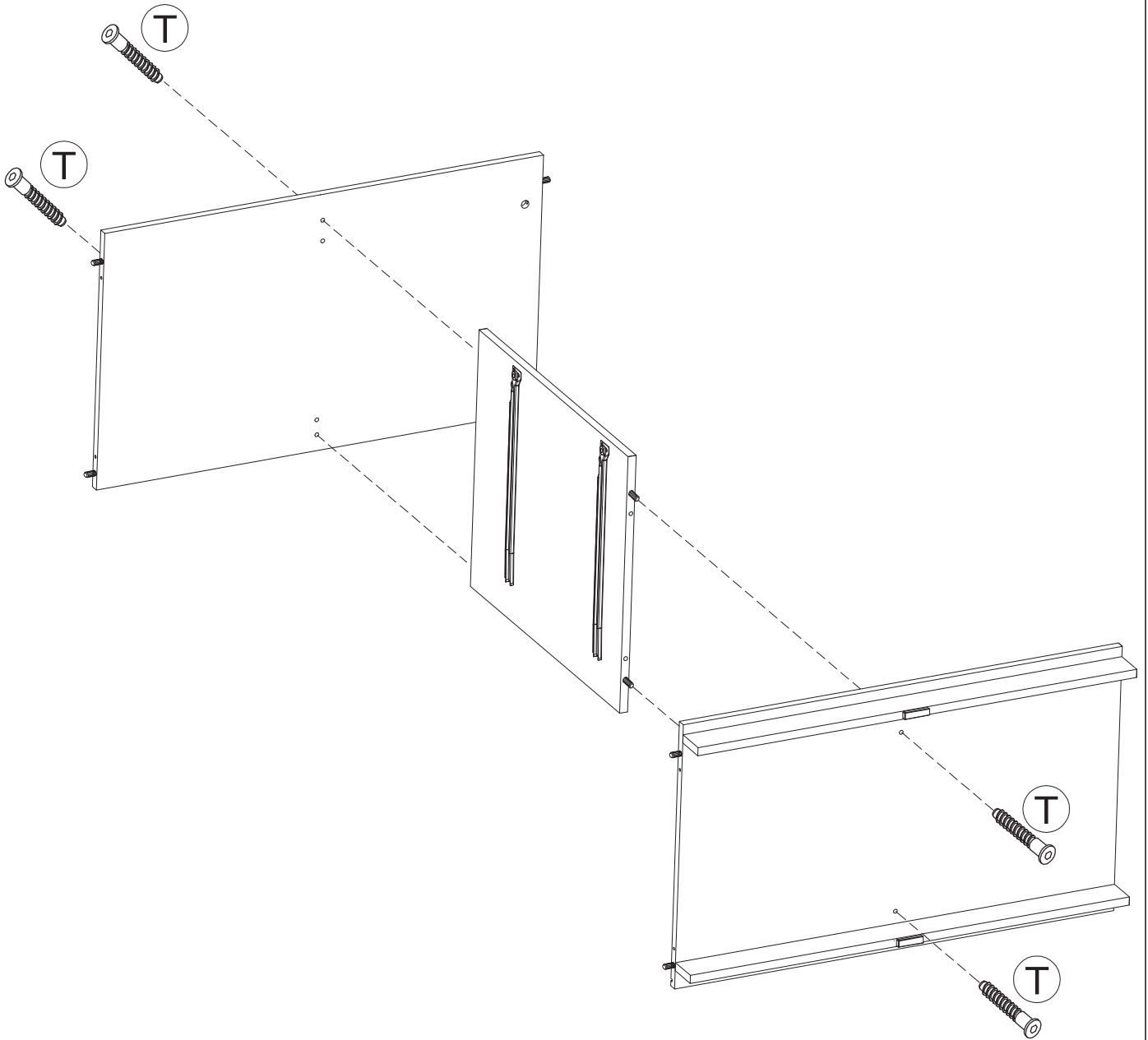
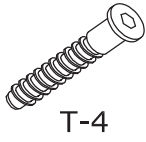
Cx2



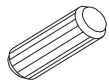
KL



9



10



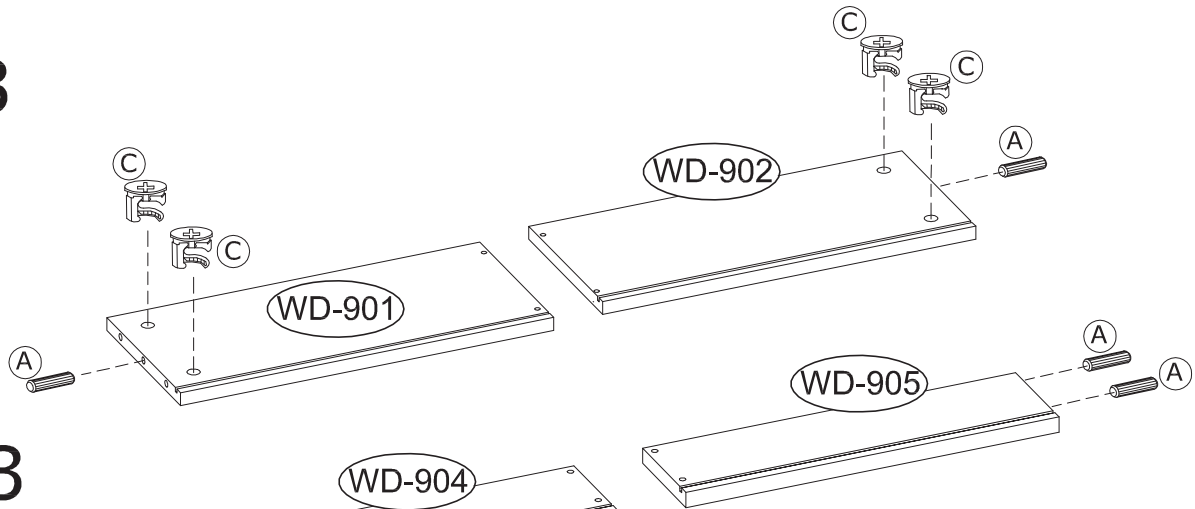
Ax18



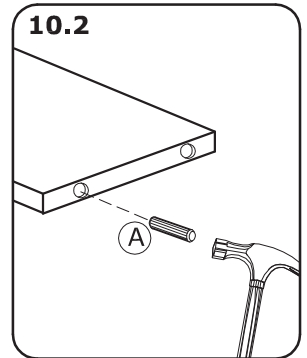
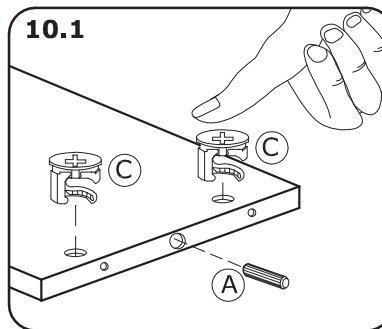
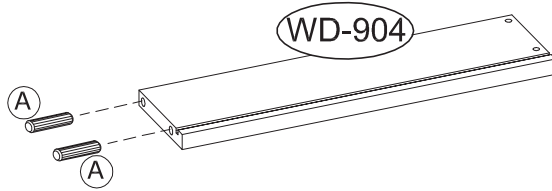
Cx12



x3



x3



11



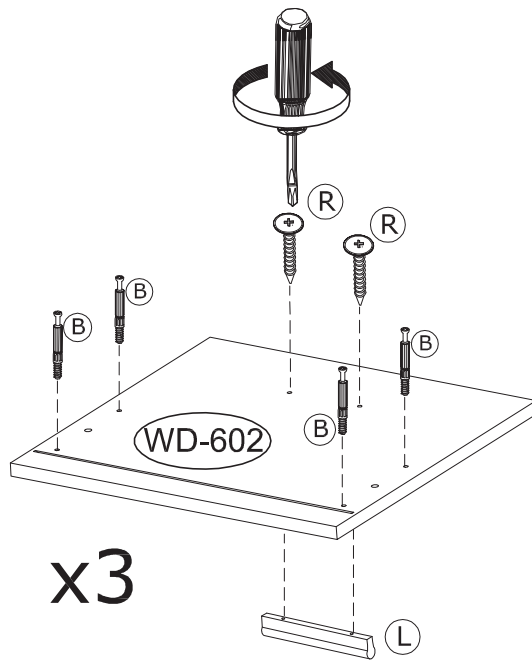
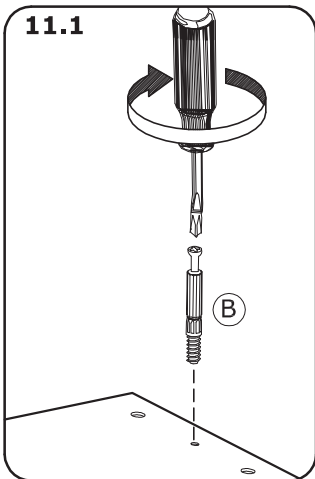
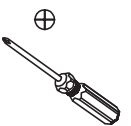
Bx12



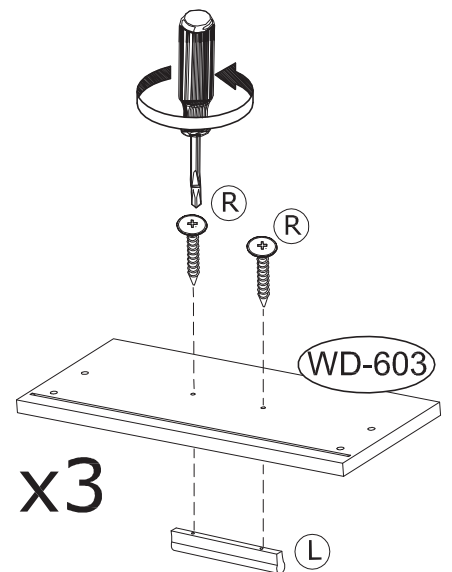
Lx6



Rx12

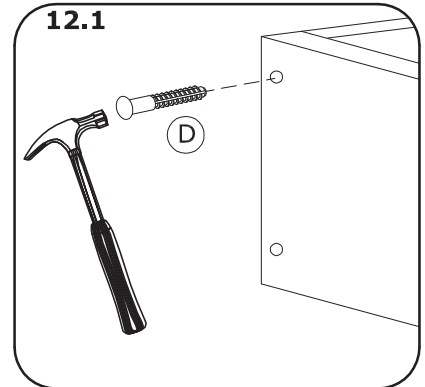
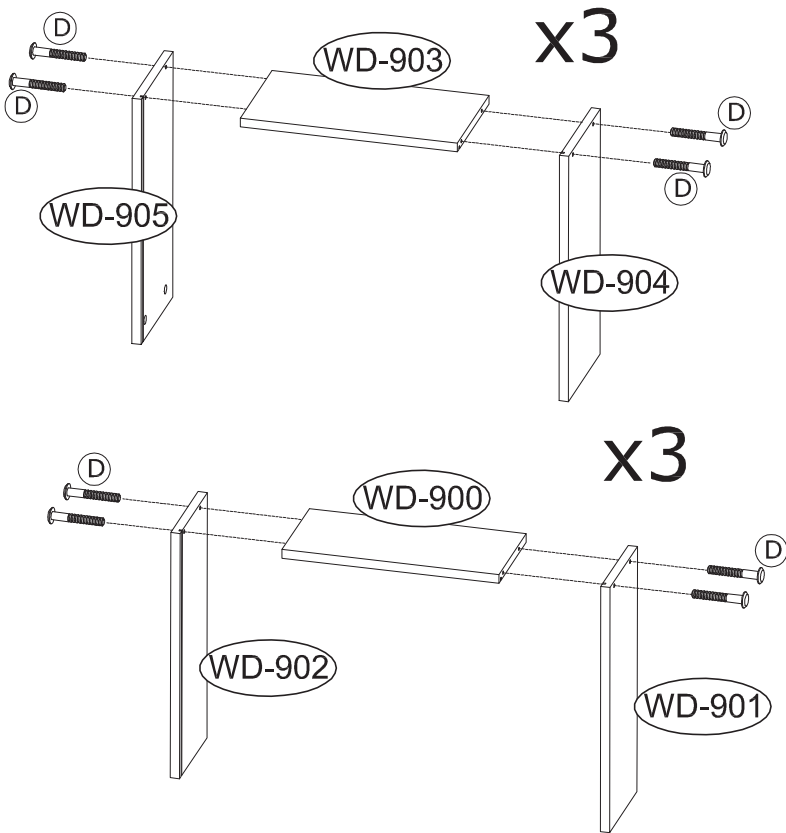


x3

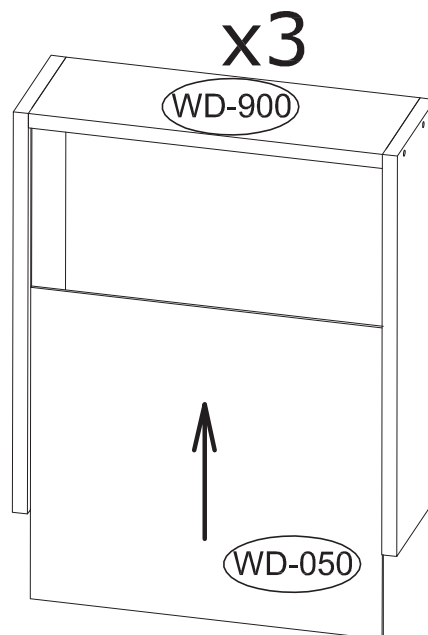
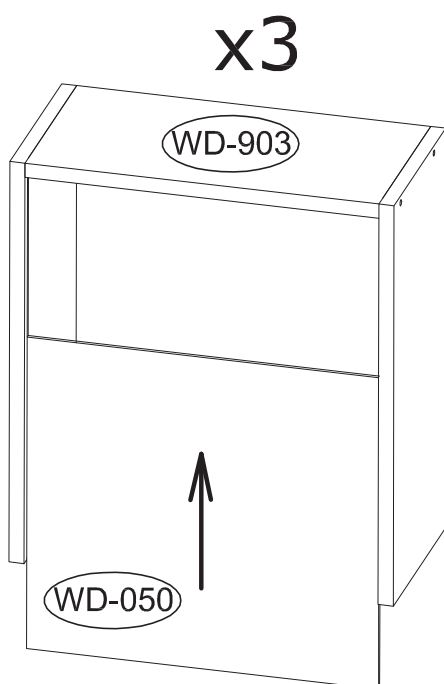


x3

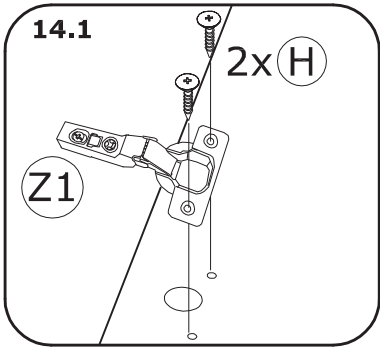
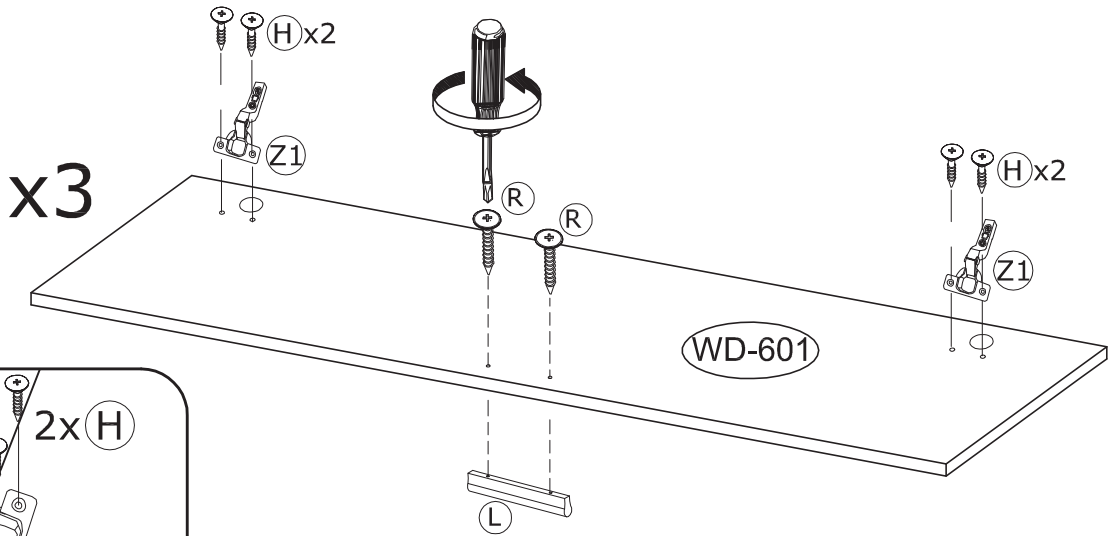
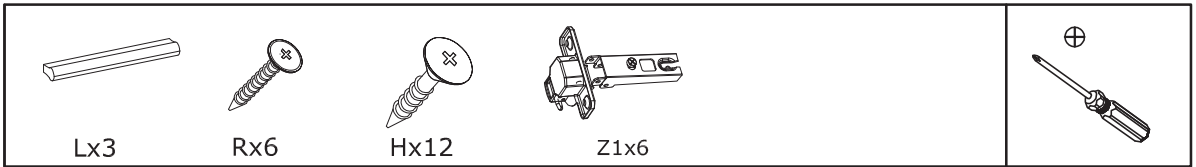
12



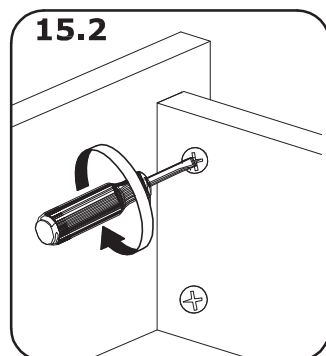
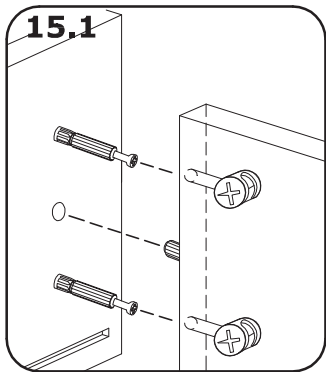
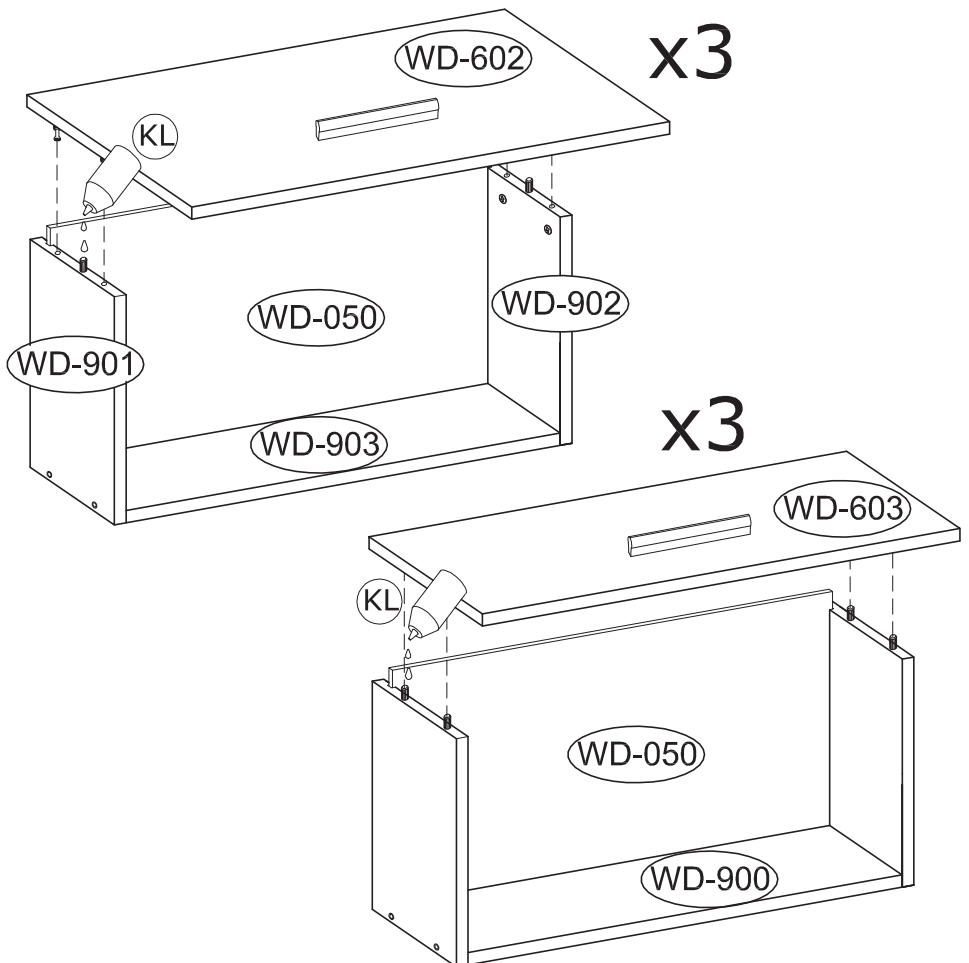
13



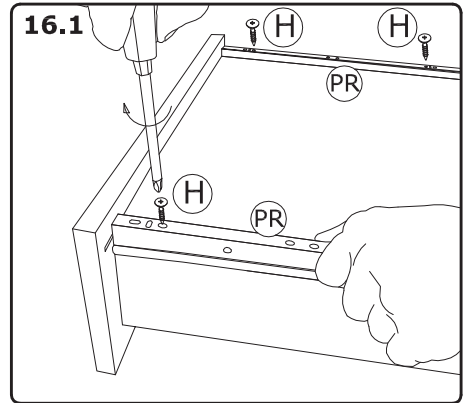
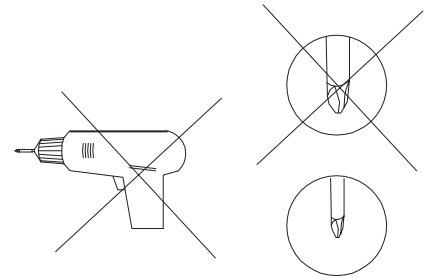
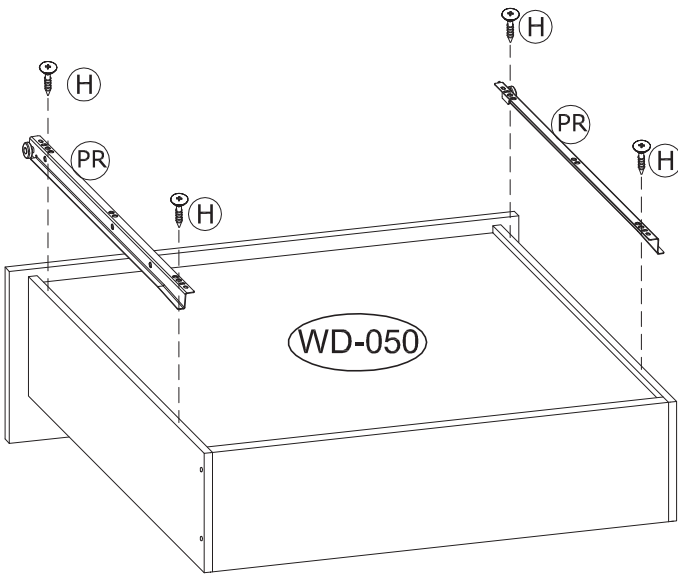
14



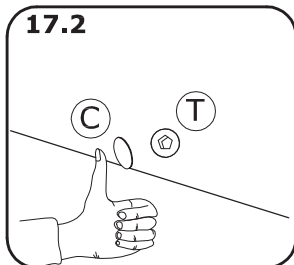
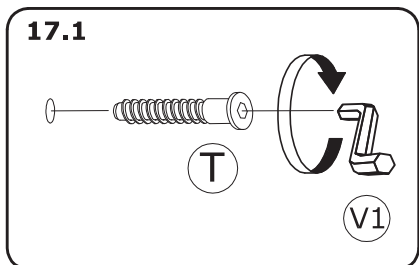
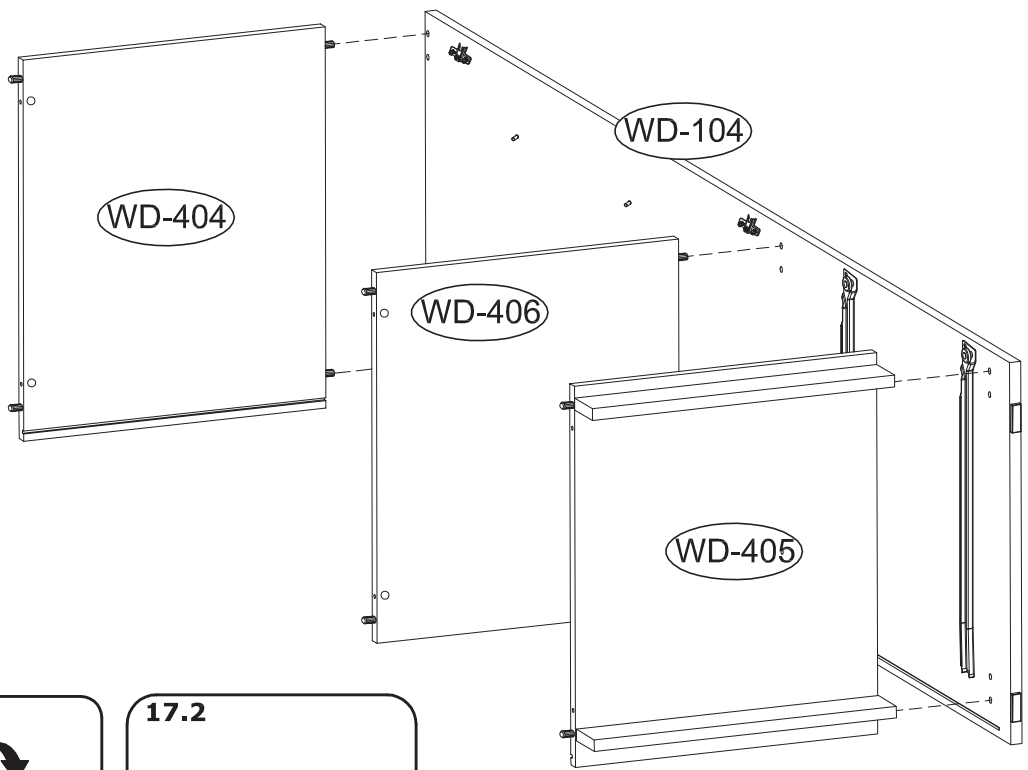
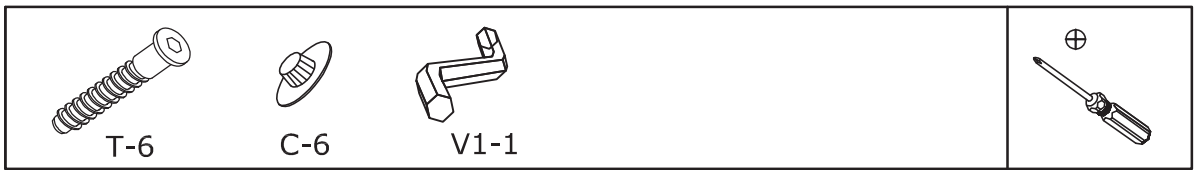
15

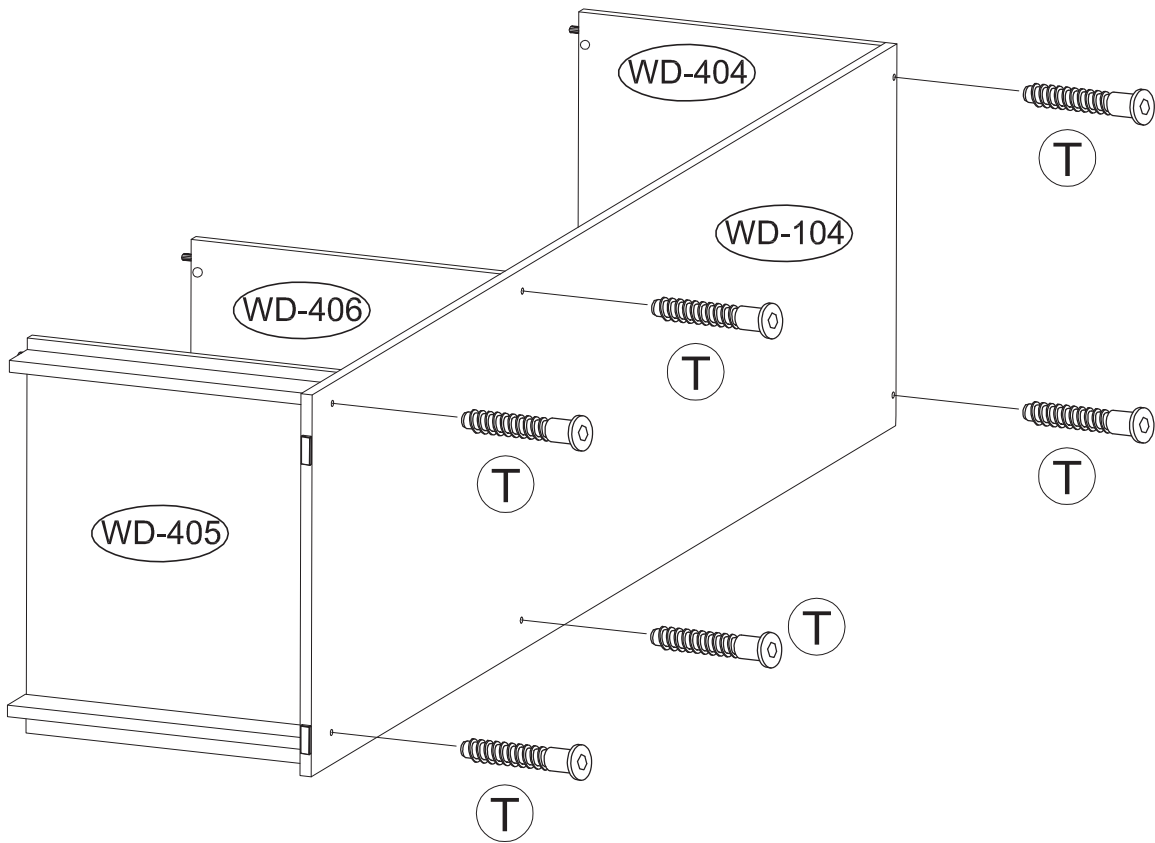


16

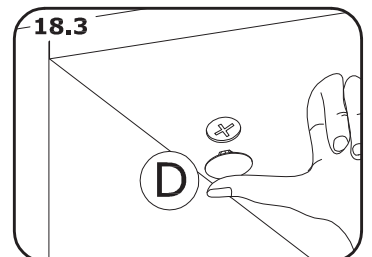
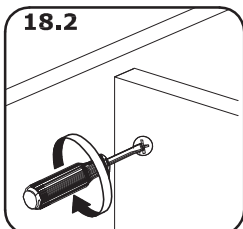
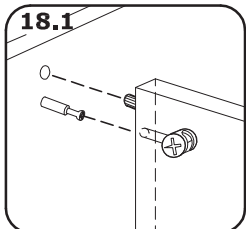
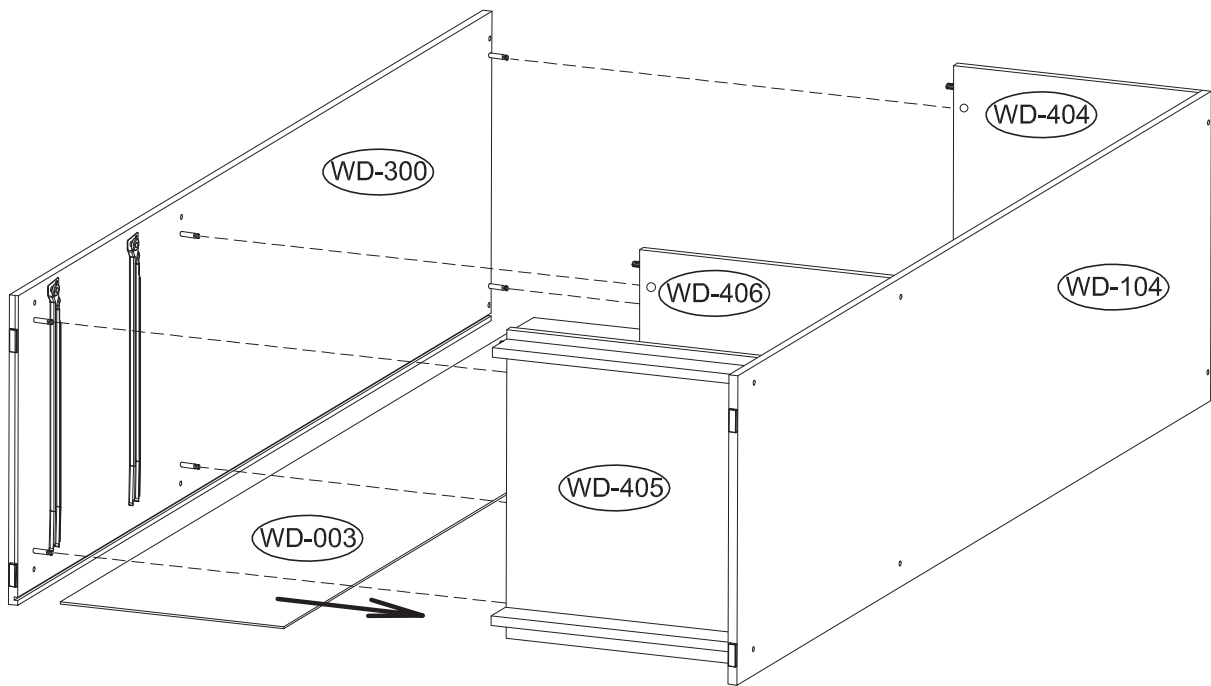
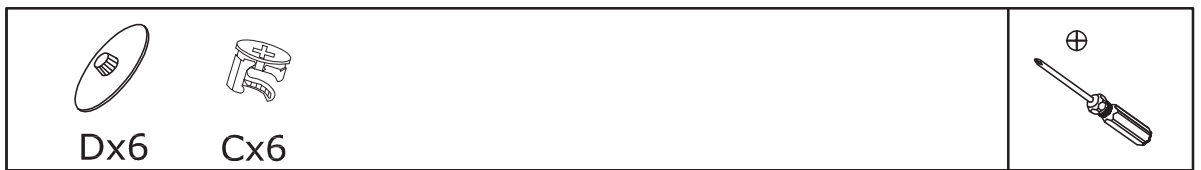


17





18



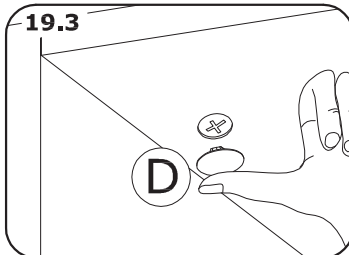
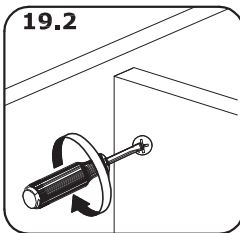
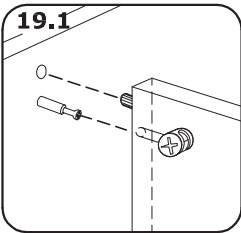
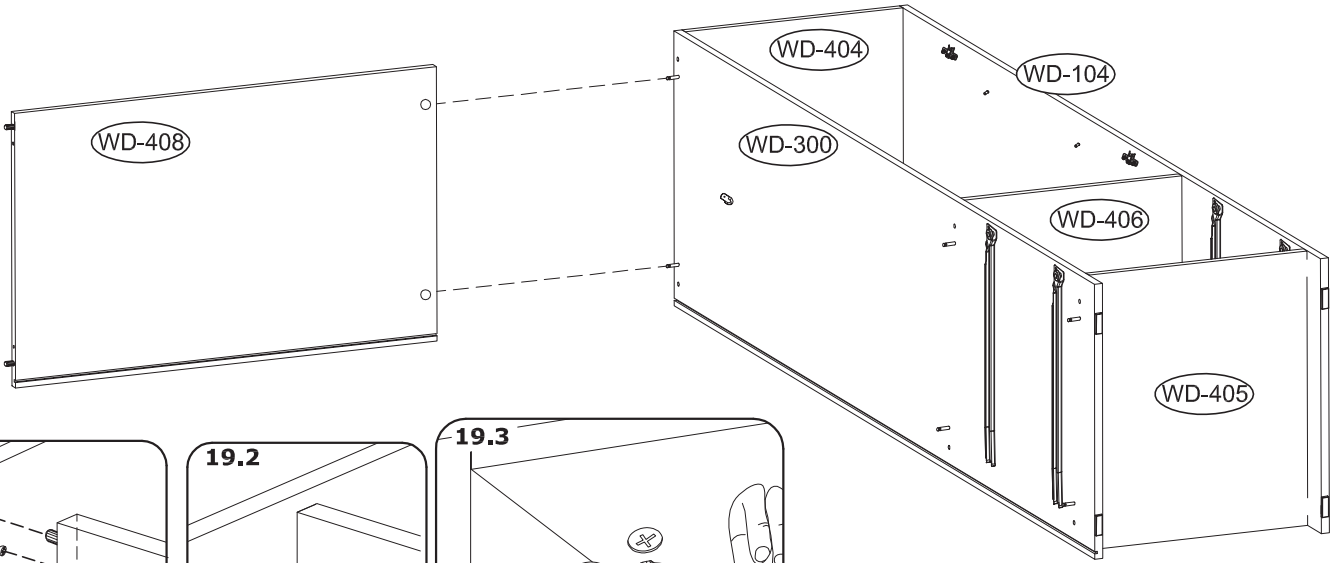
19



Dx2



Cx2



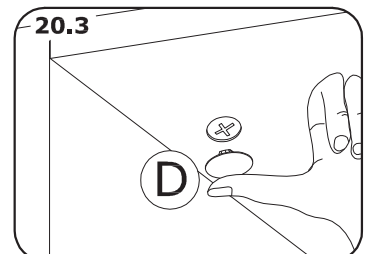
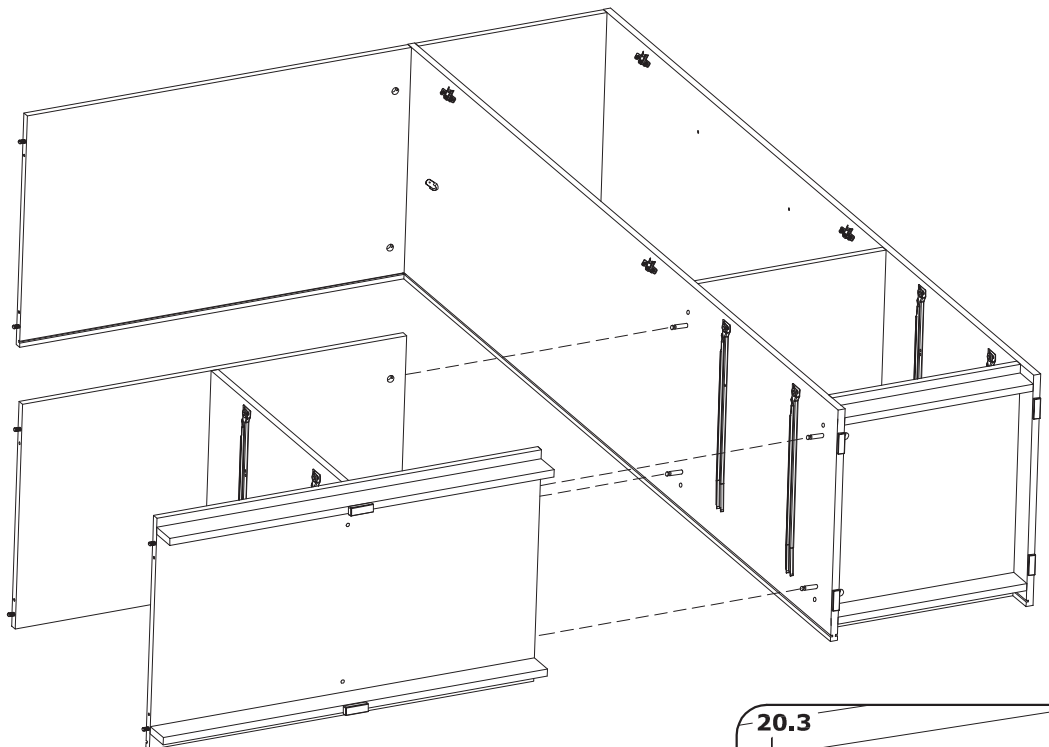
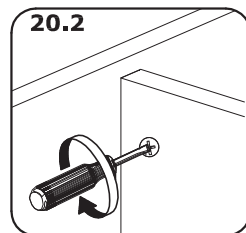
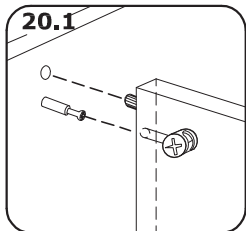
20



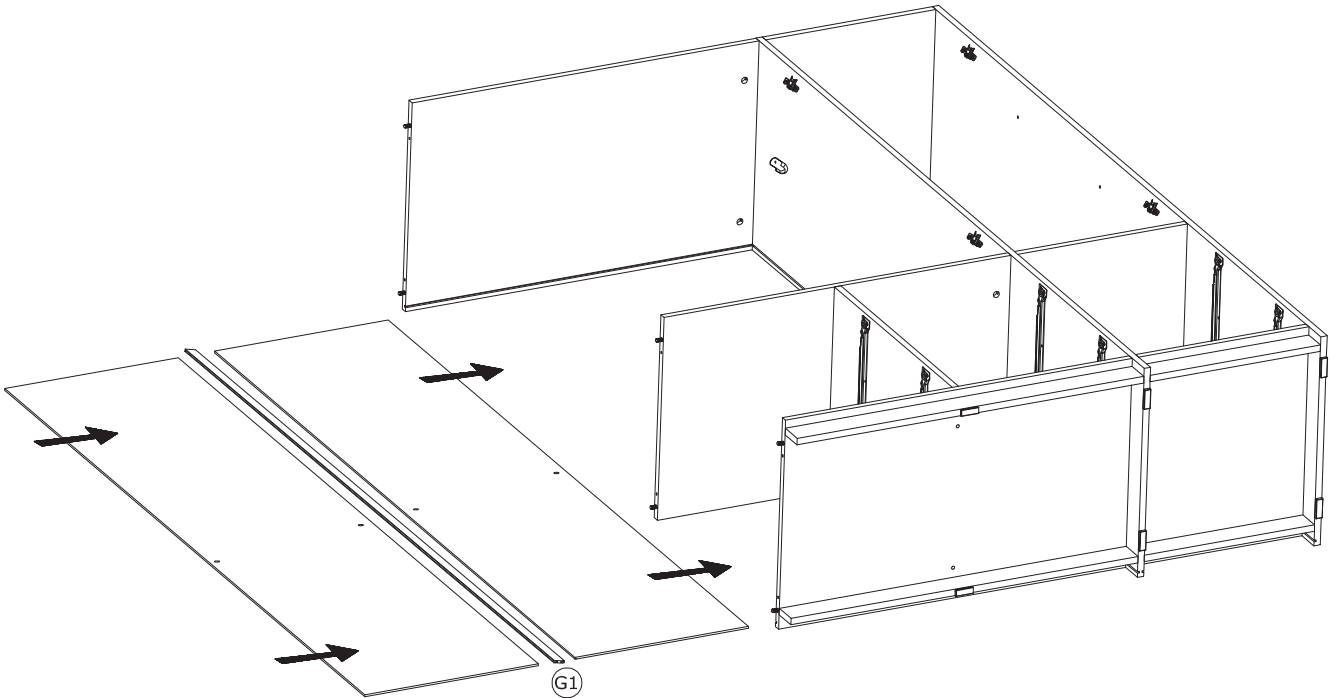
Dx4



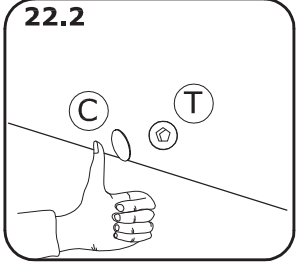
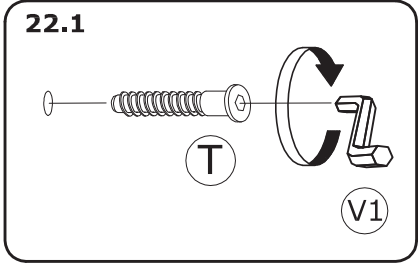
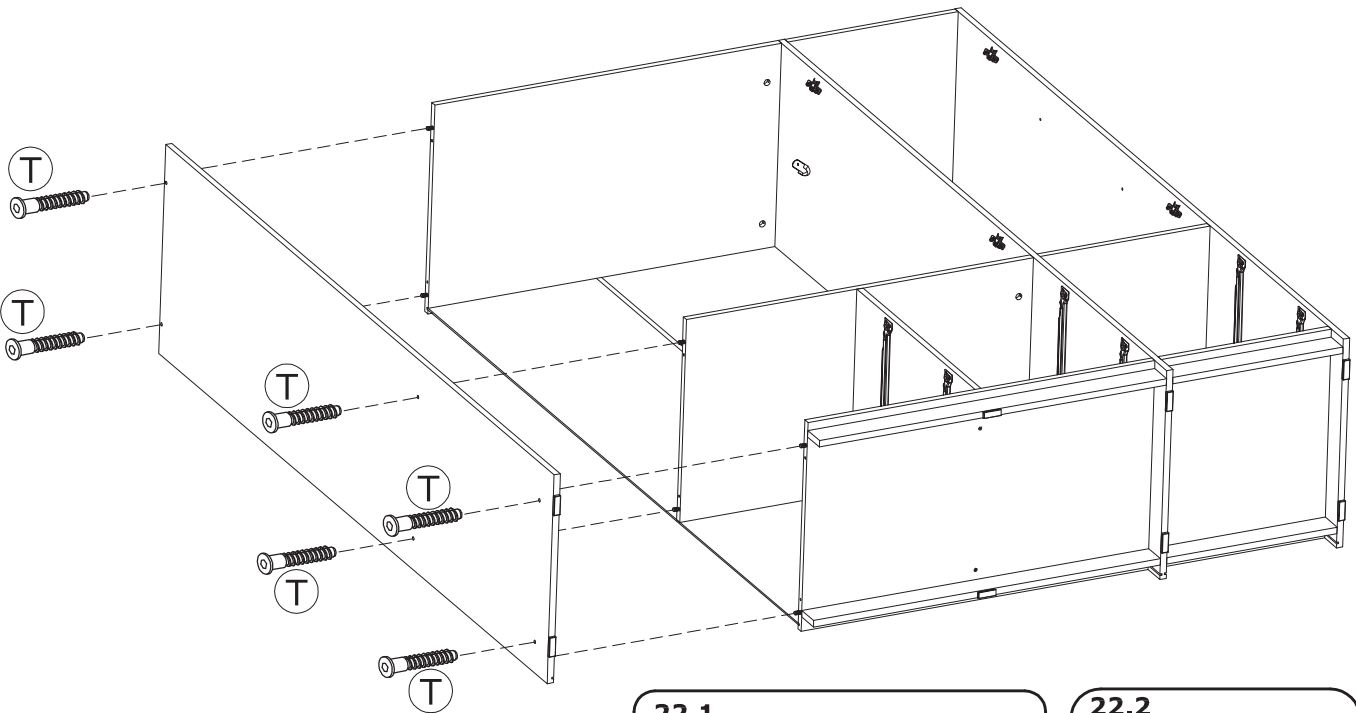
Cx4



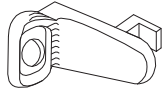
21



22



23



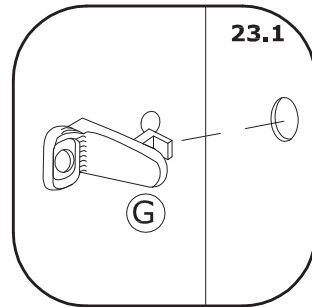
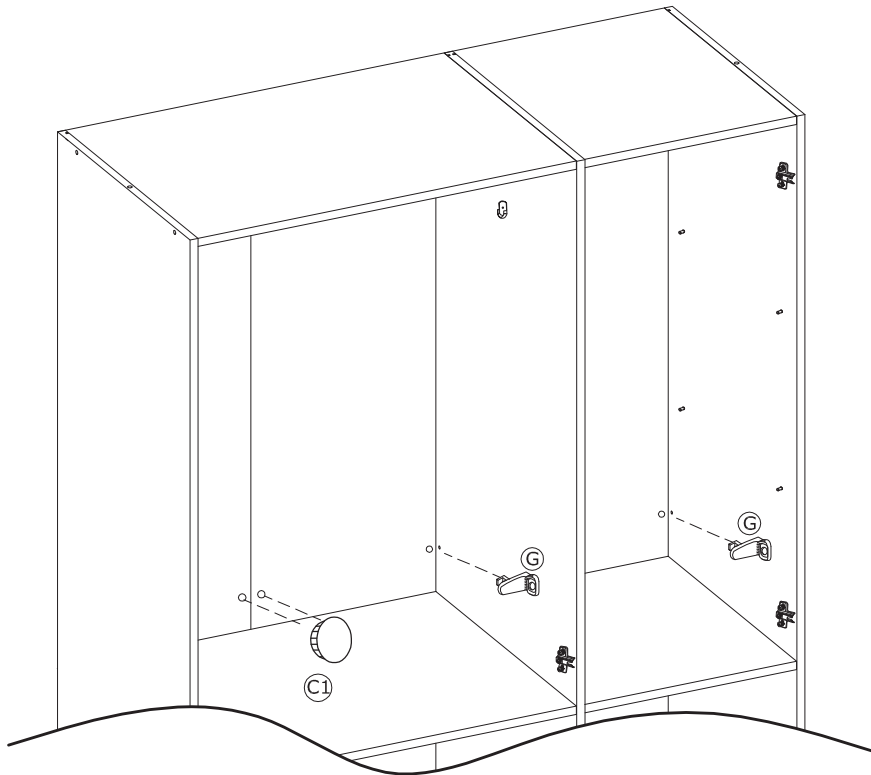
Gx4



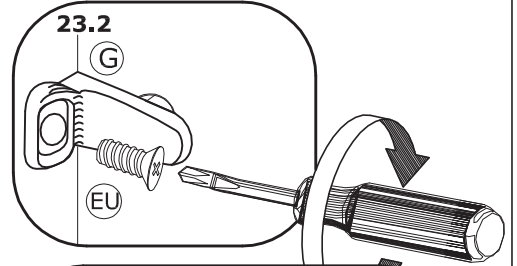
EUx4



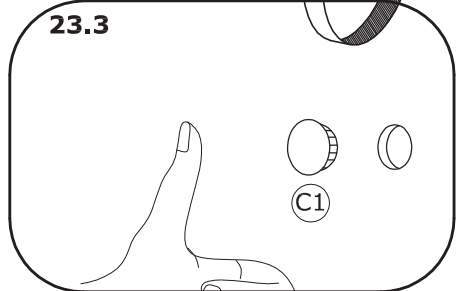
C1x2



23.1

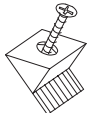


23.2

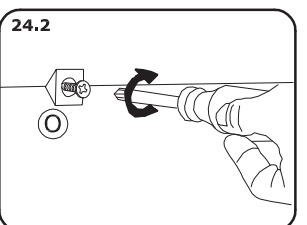
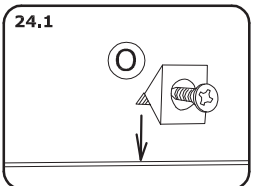
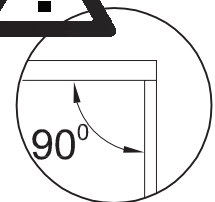
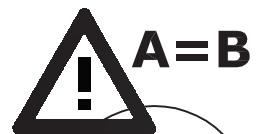
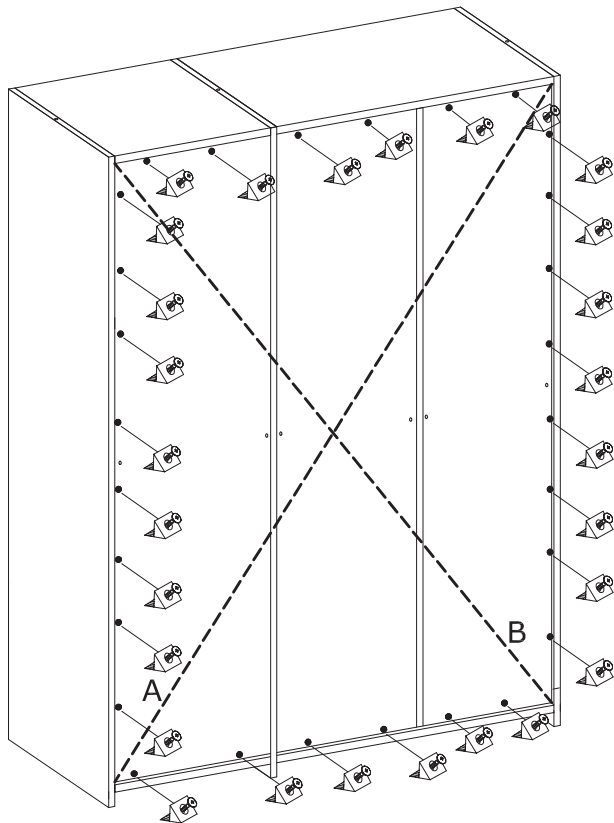
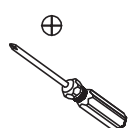


23.3

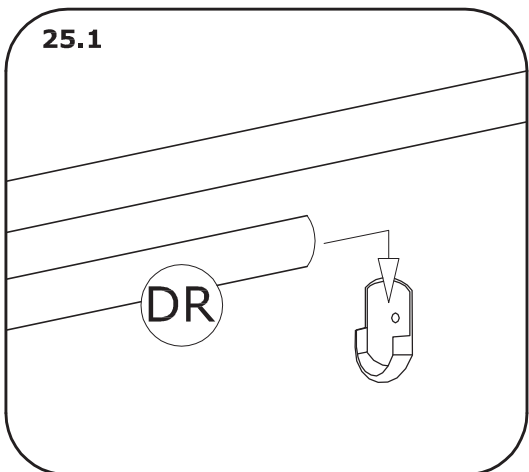
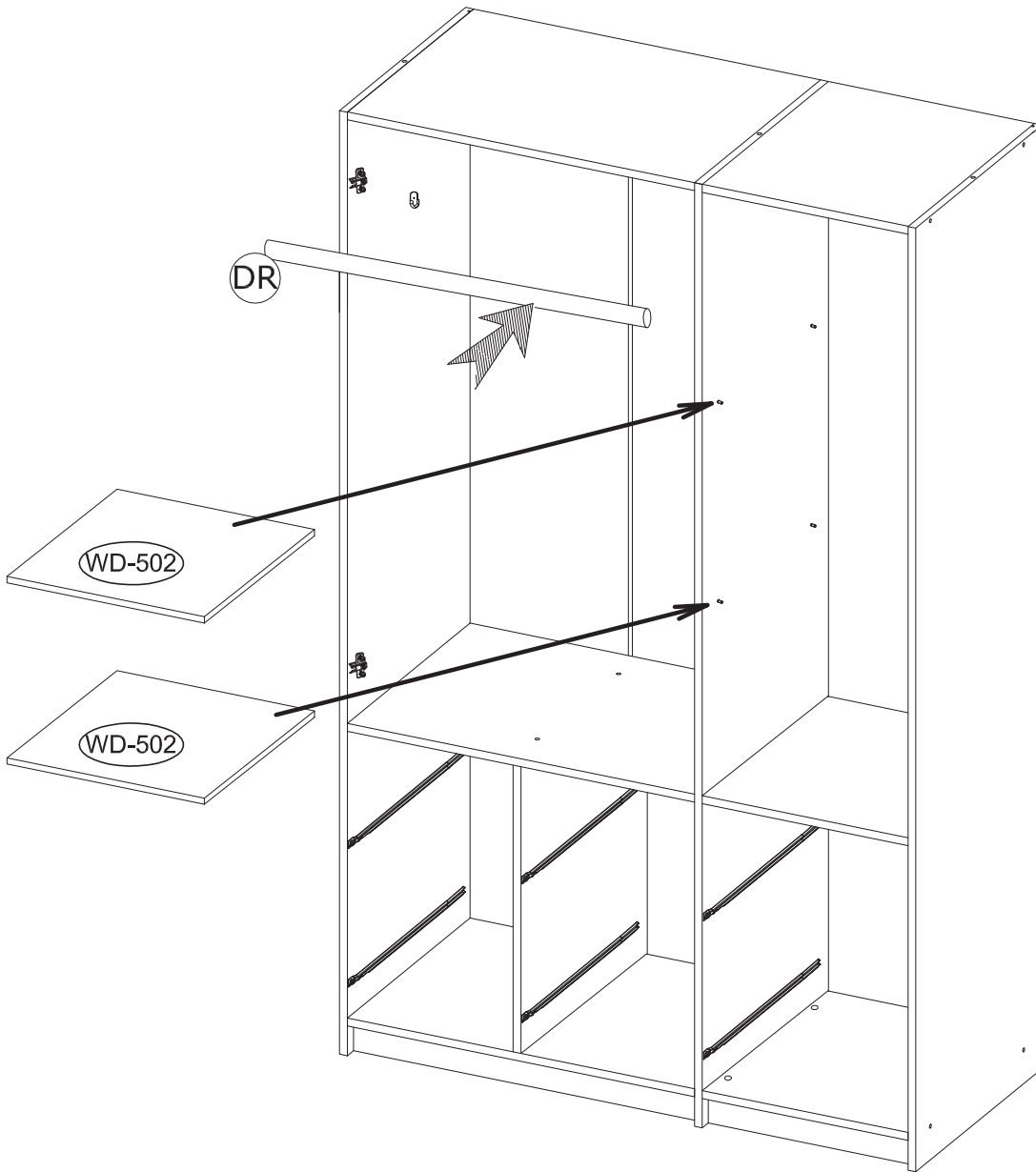
24



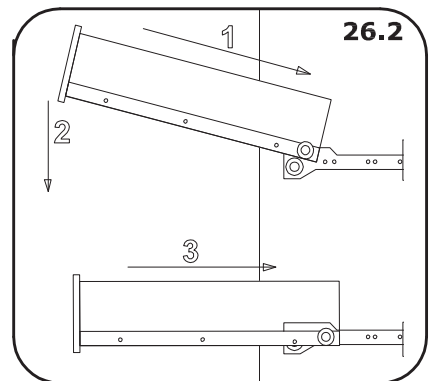
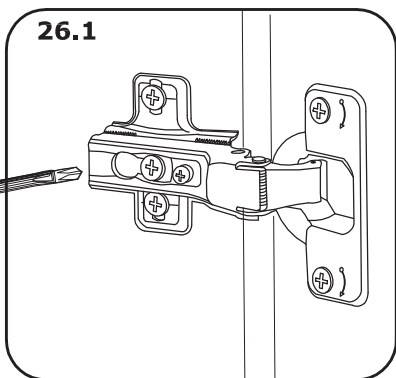
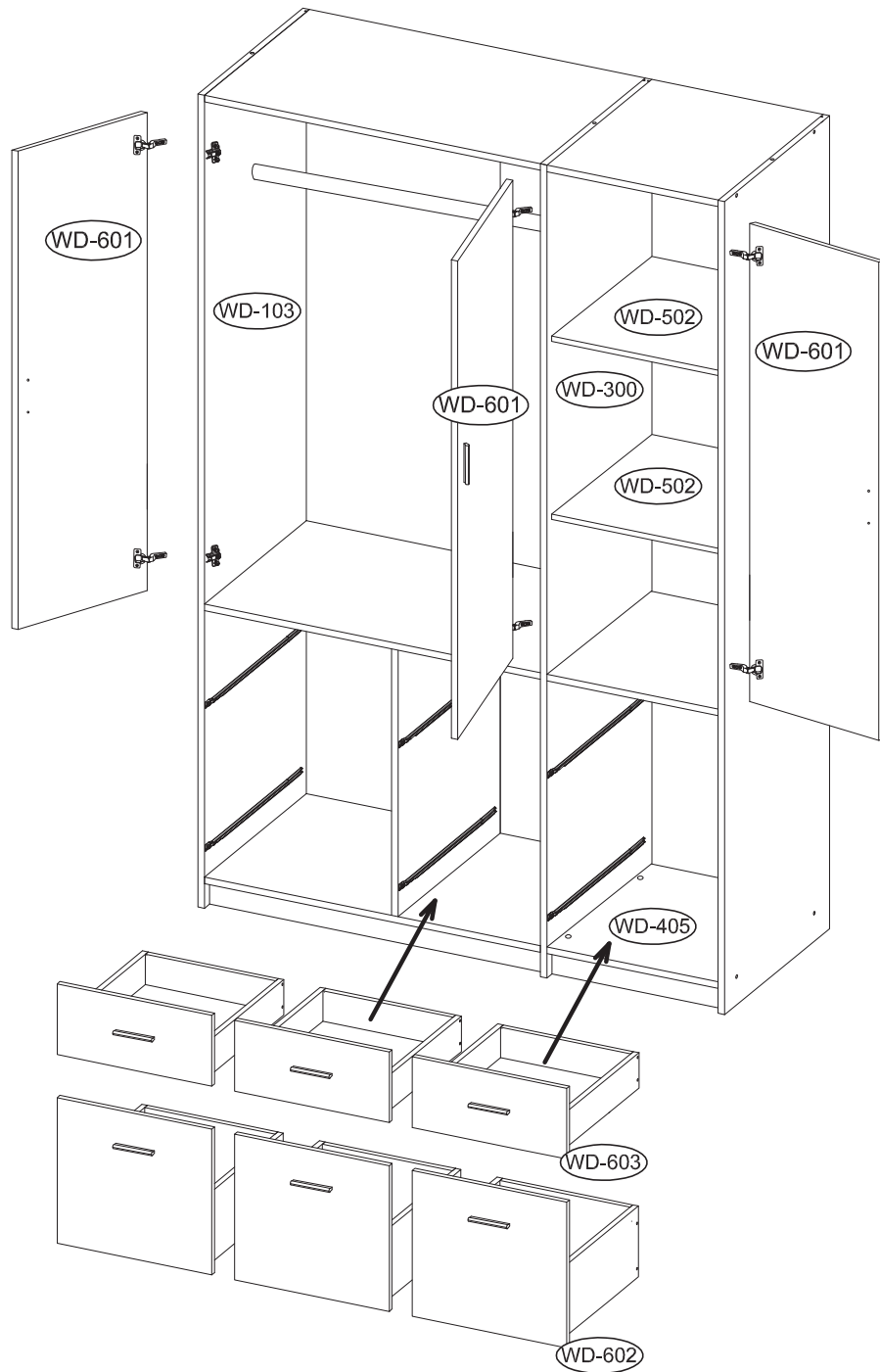
Ox30

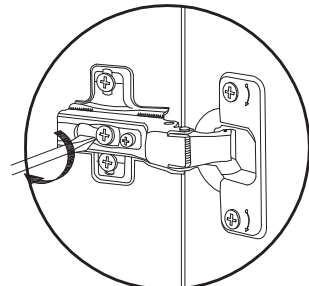
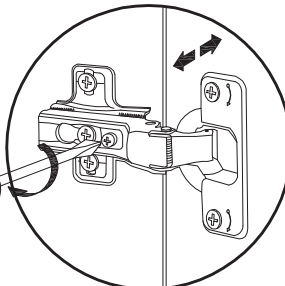
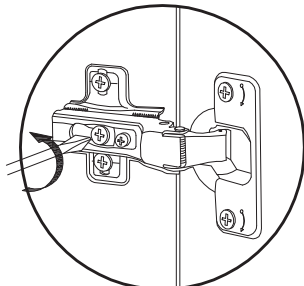
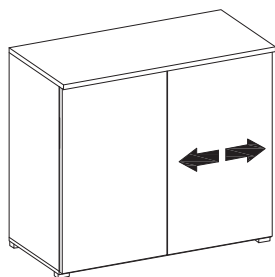
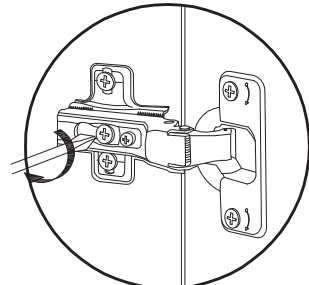
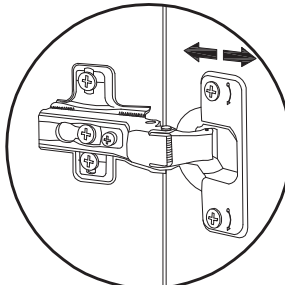
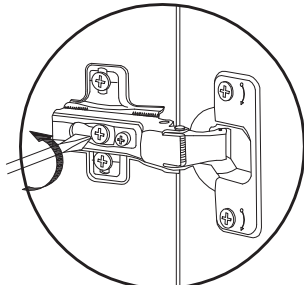
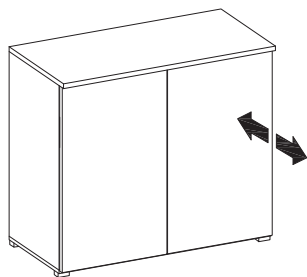
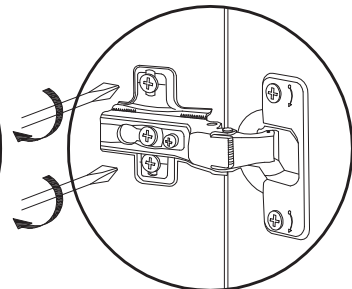
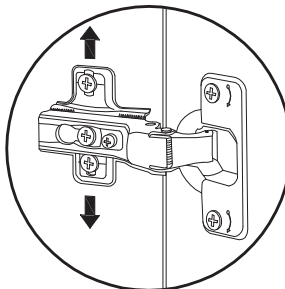
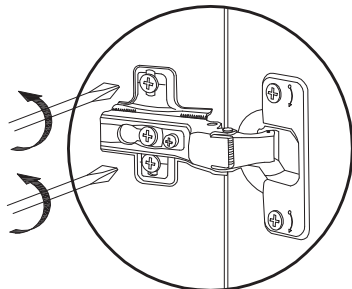
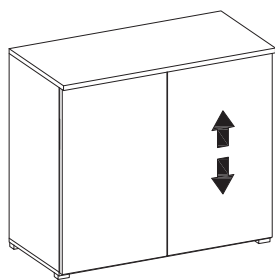


25

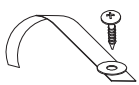


26

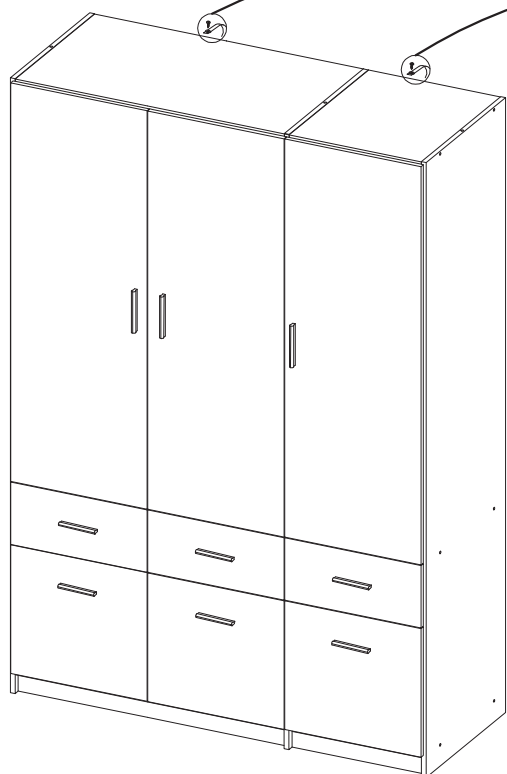
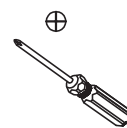




27



Wx2



27.1

