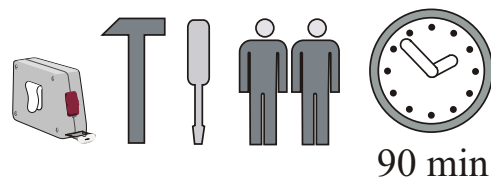
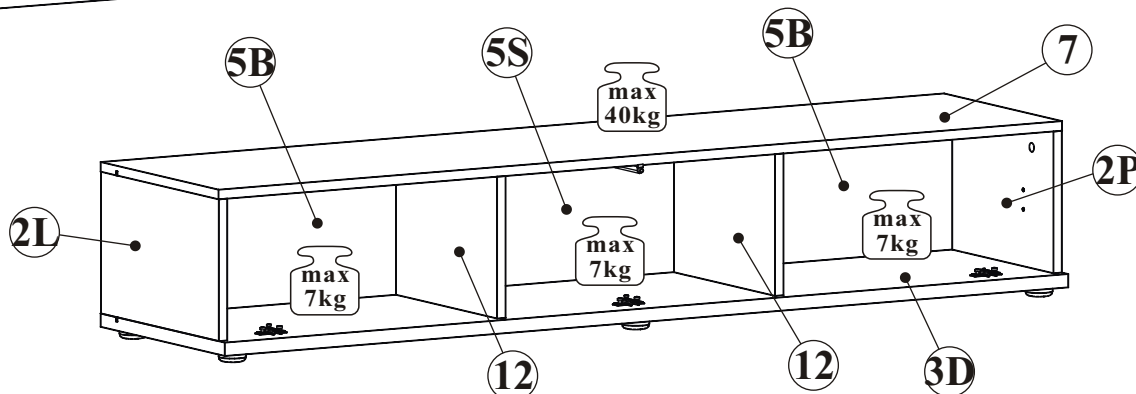
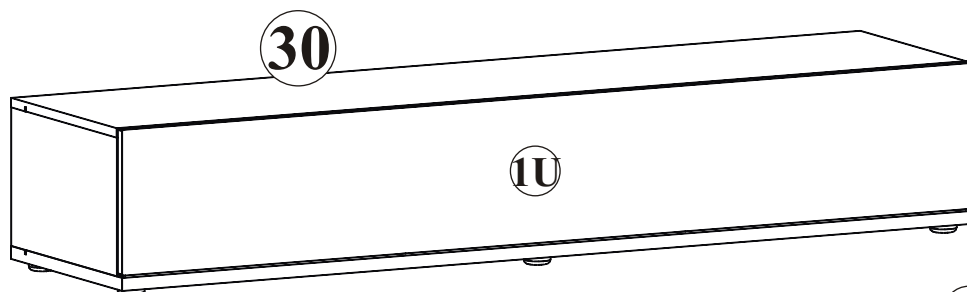
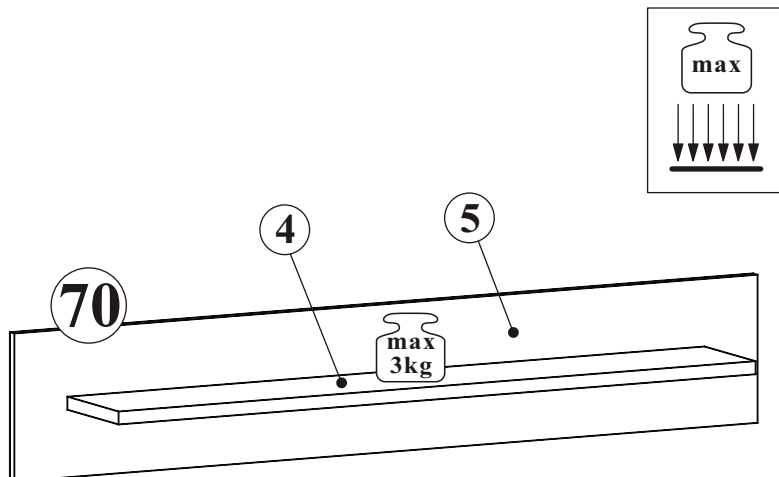
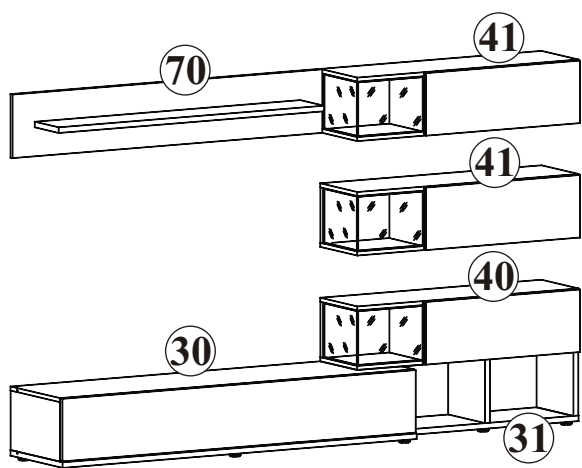
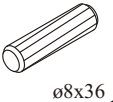
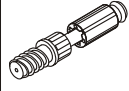




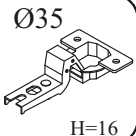
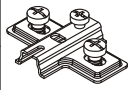



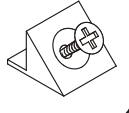
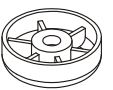
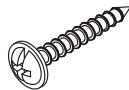
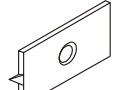


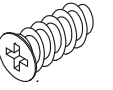
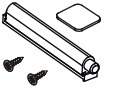
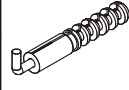
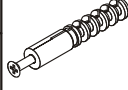
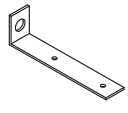



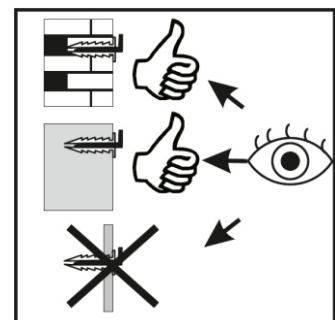
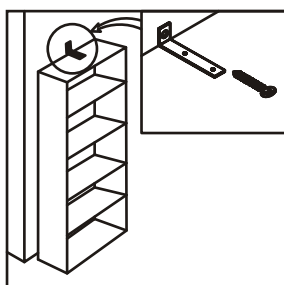
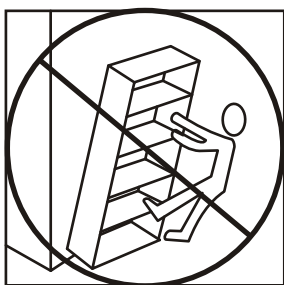
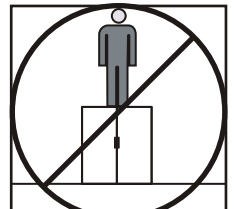
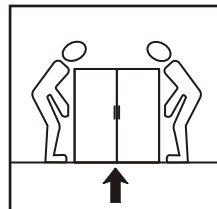
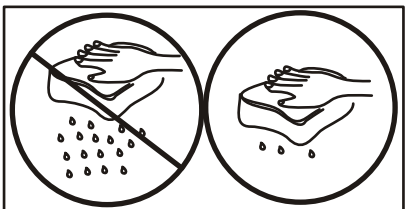
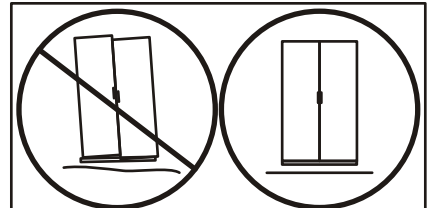
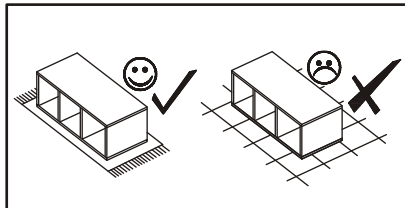
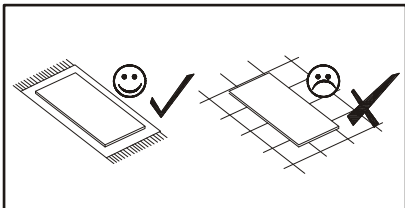
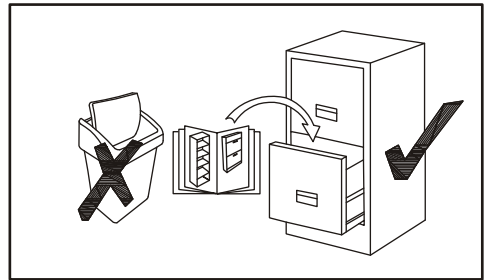
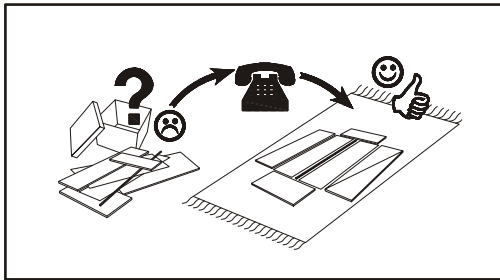
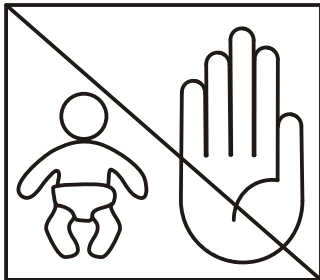
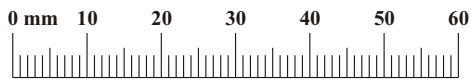
SILK TYP 30, TYP 70



NO	Dim.			Col.-No	Qty
1U	1596	246	16	1 / 3.	1
2L	234	380	16	1 / 3.	1
12	234	326	16	1 / 3.	2
2P	234	380	16	1 / 3.	1
3D	1600	400	22	1 / 3.	1
5B	246	526	3	1 / 3.	2
5S	246	527	3	1 / 3.	1
7	1600	380	16	1 / 3.	1
4	1200	184	22	1 / 3.	1
5	1400	250	16	1 / 3.	1

SILK TYP 30, TYP 70

A1 x20 	B4 x8 	B5 x8 	G5 x8 	B11 x13 	G4 x13 
E25 x3 	E4 x3 	D10 x16 	G21 x2 	D7 x6 	S1 x14 
I11 x6 	UP15 x6 	G16 x2 	UP13 x2 	ZM1 x3 	D20 x6 
OD2 x2 	KR2 x3 	KR1 x1 	L1 x1 	G2 x1 	



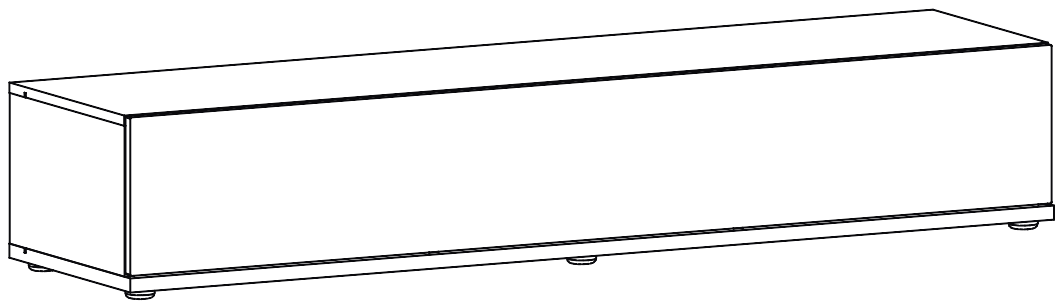
1 - 4

70



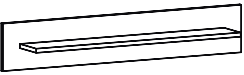
5 - 15

30

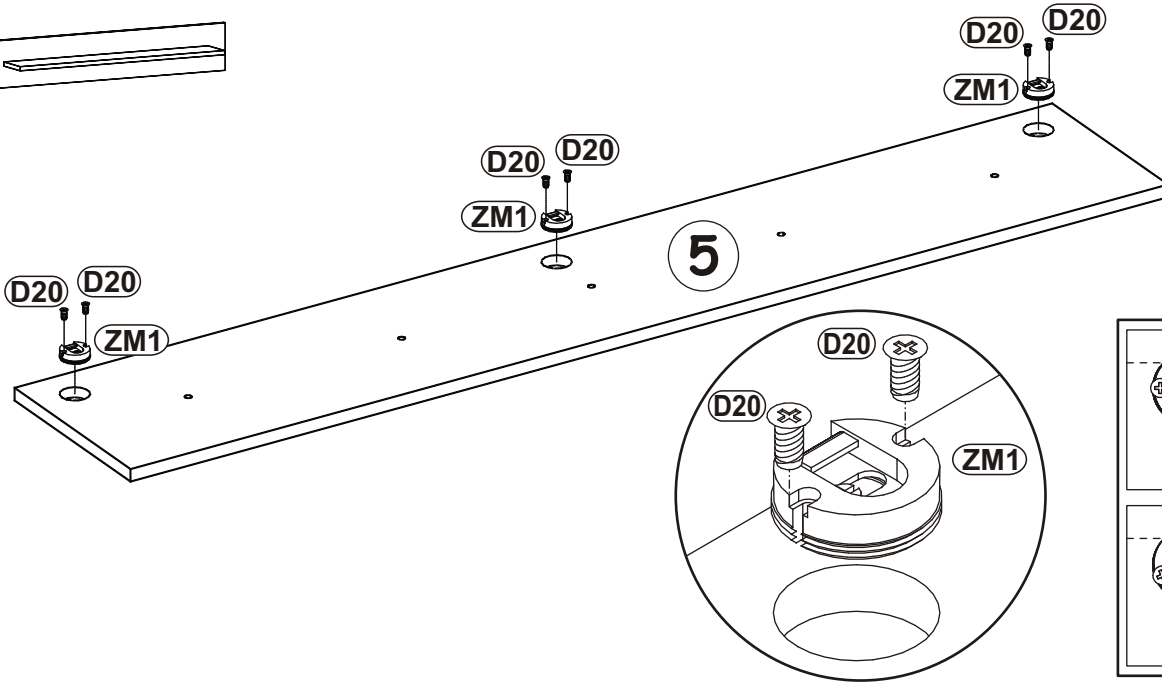


SILK TYP 70

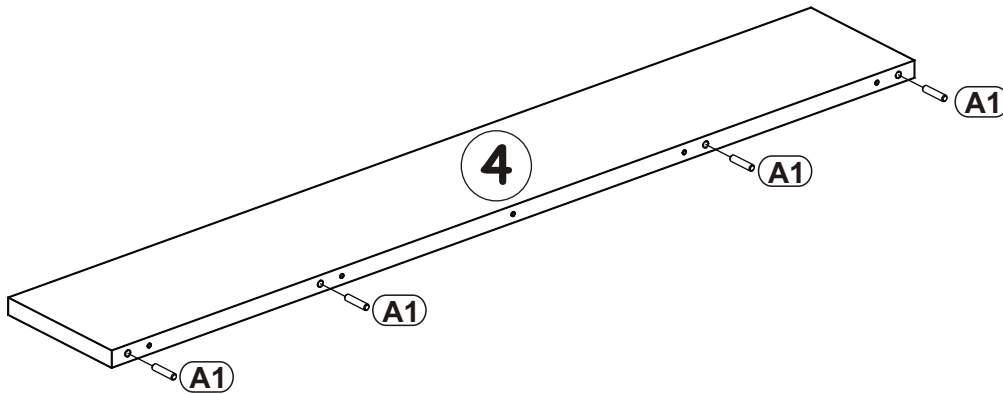
1



ZM1		D20	
x3		x6	ESØ6x9,5

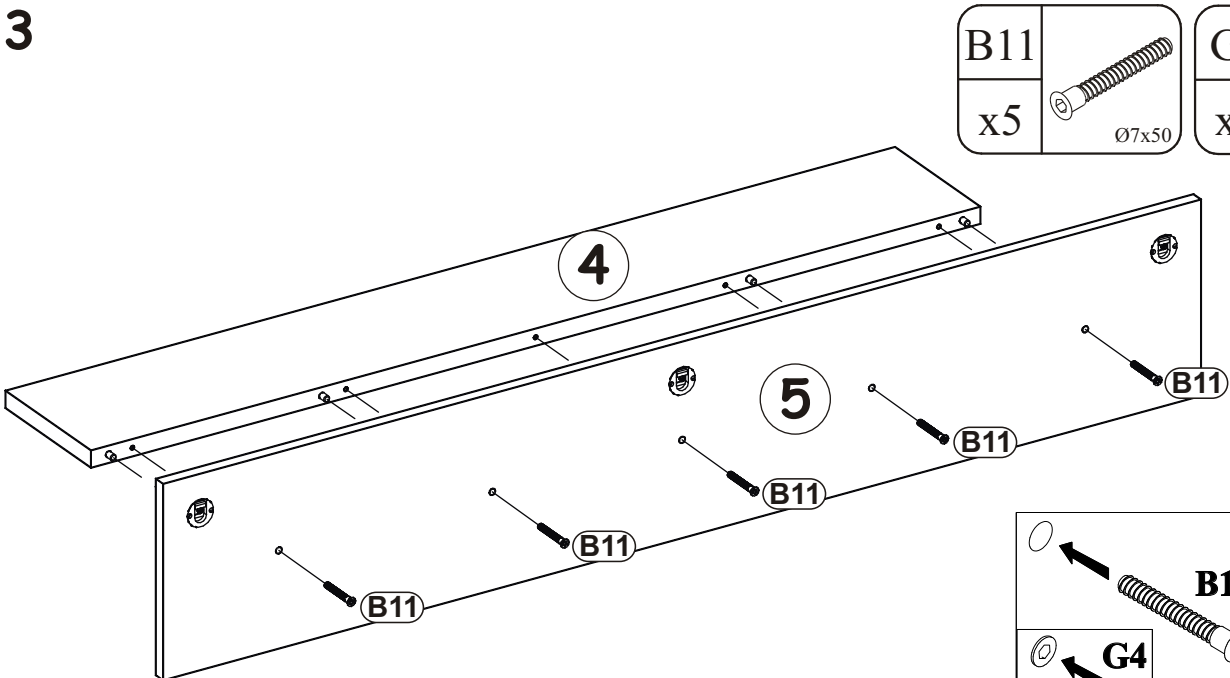


2

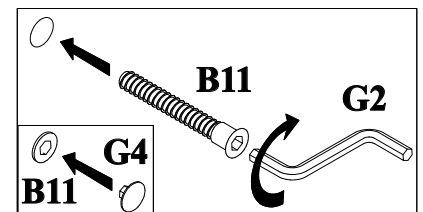


A1	
x4	ø8x36

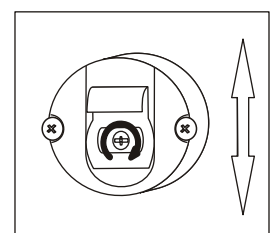
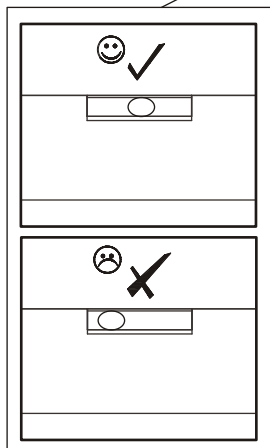
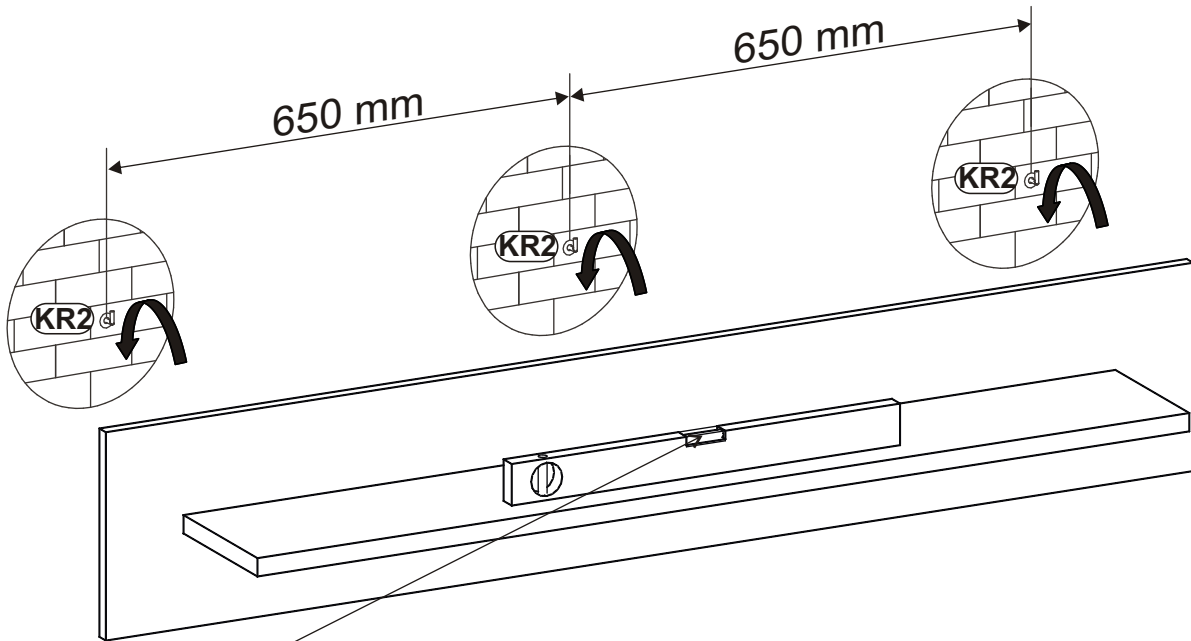
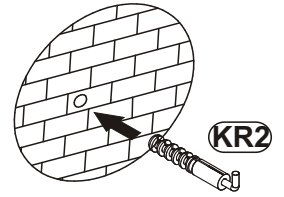
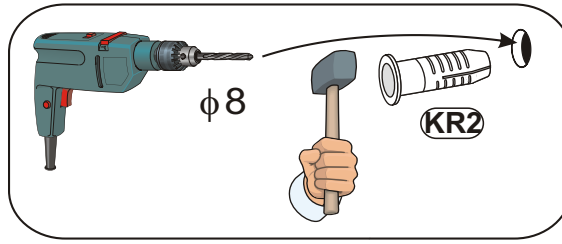
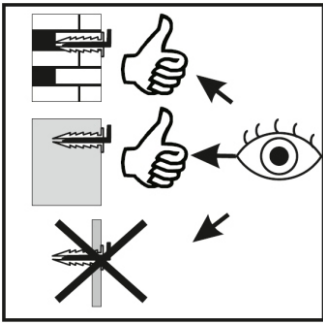
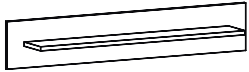
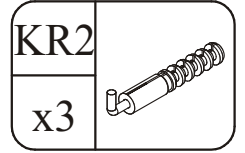
3



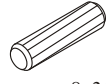
B11		G4	
x5	Ø7x50	x5	




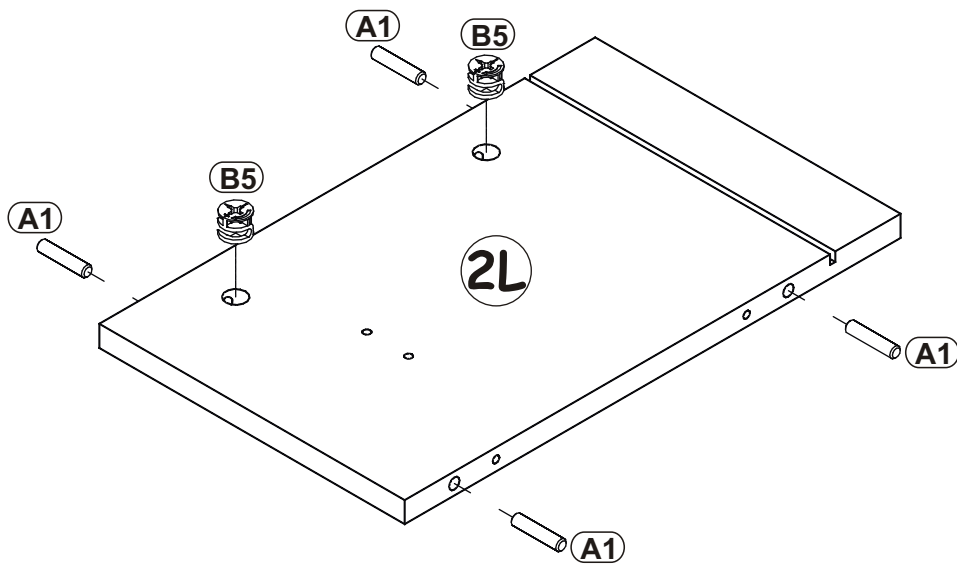
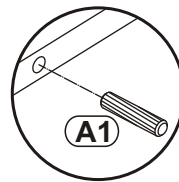
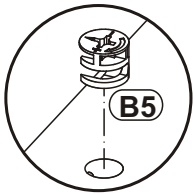
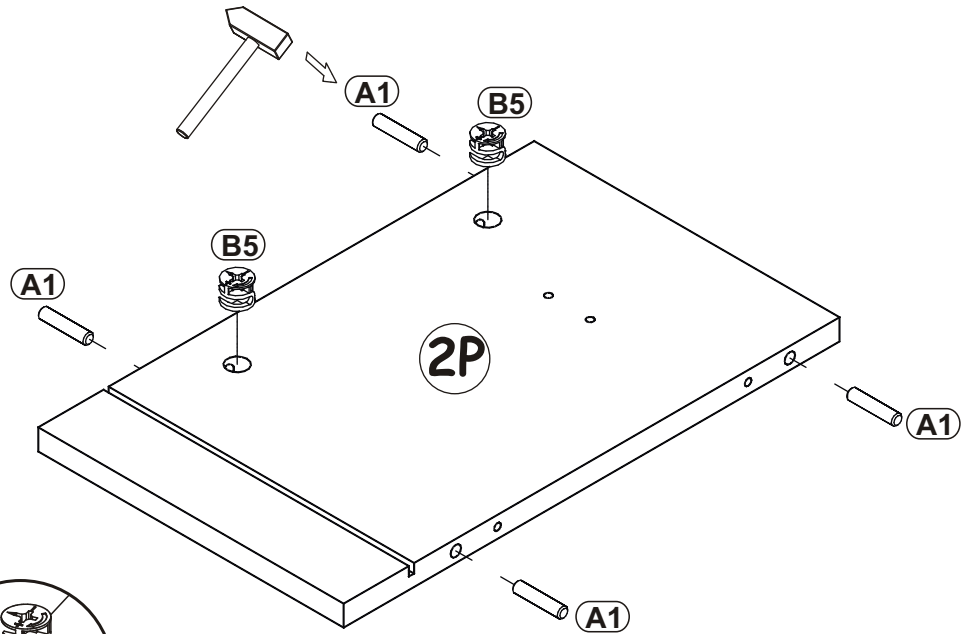
4

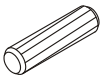



5

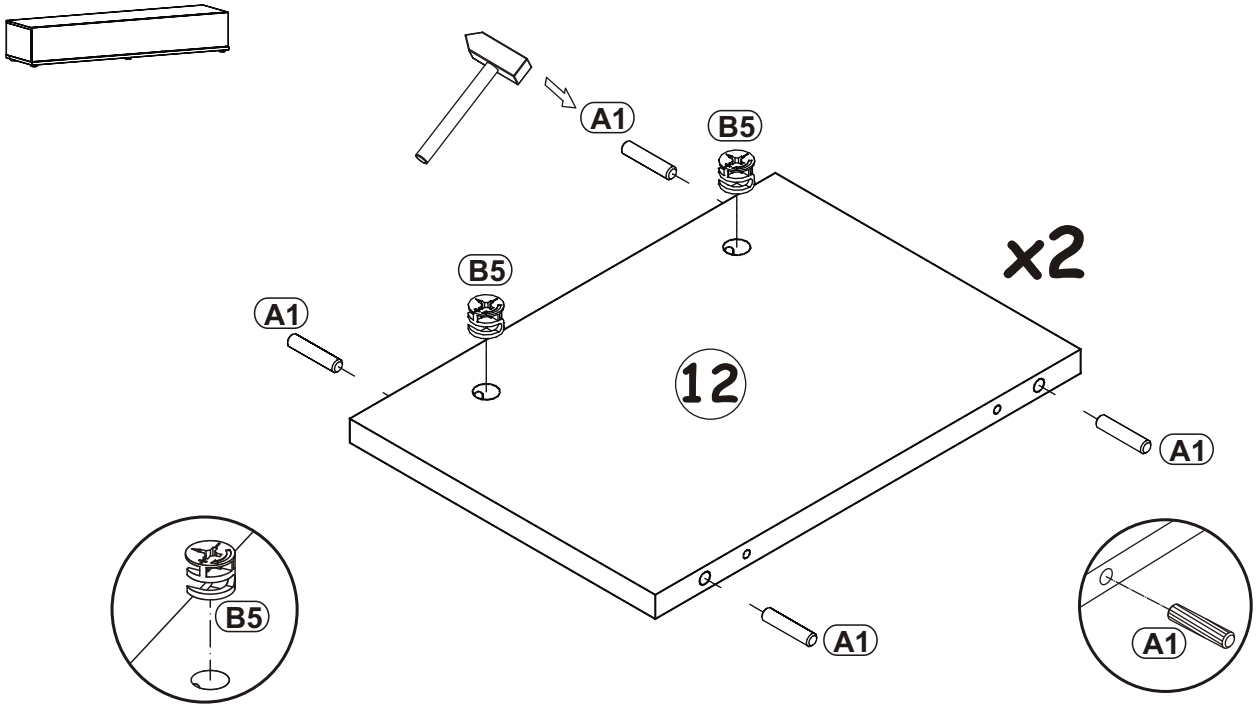
A1	 ø8x36
x8	

B5	 Ø15x12
x4	

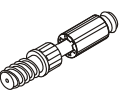


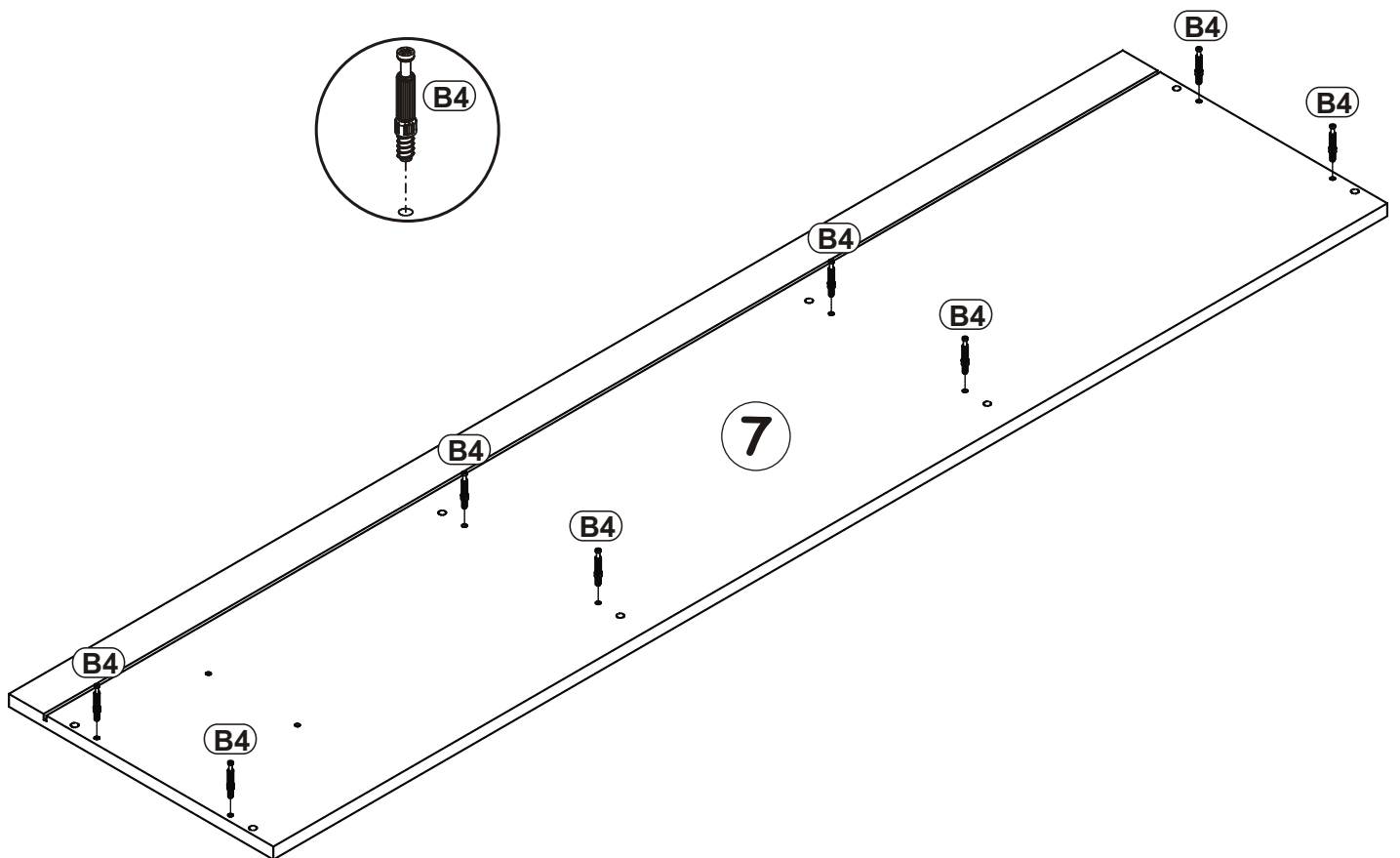
A1		B5	
x8	ø8x36	x4	Ø15x12

6

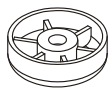


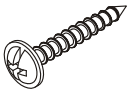
7

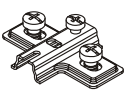
B4	
x8	

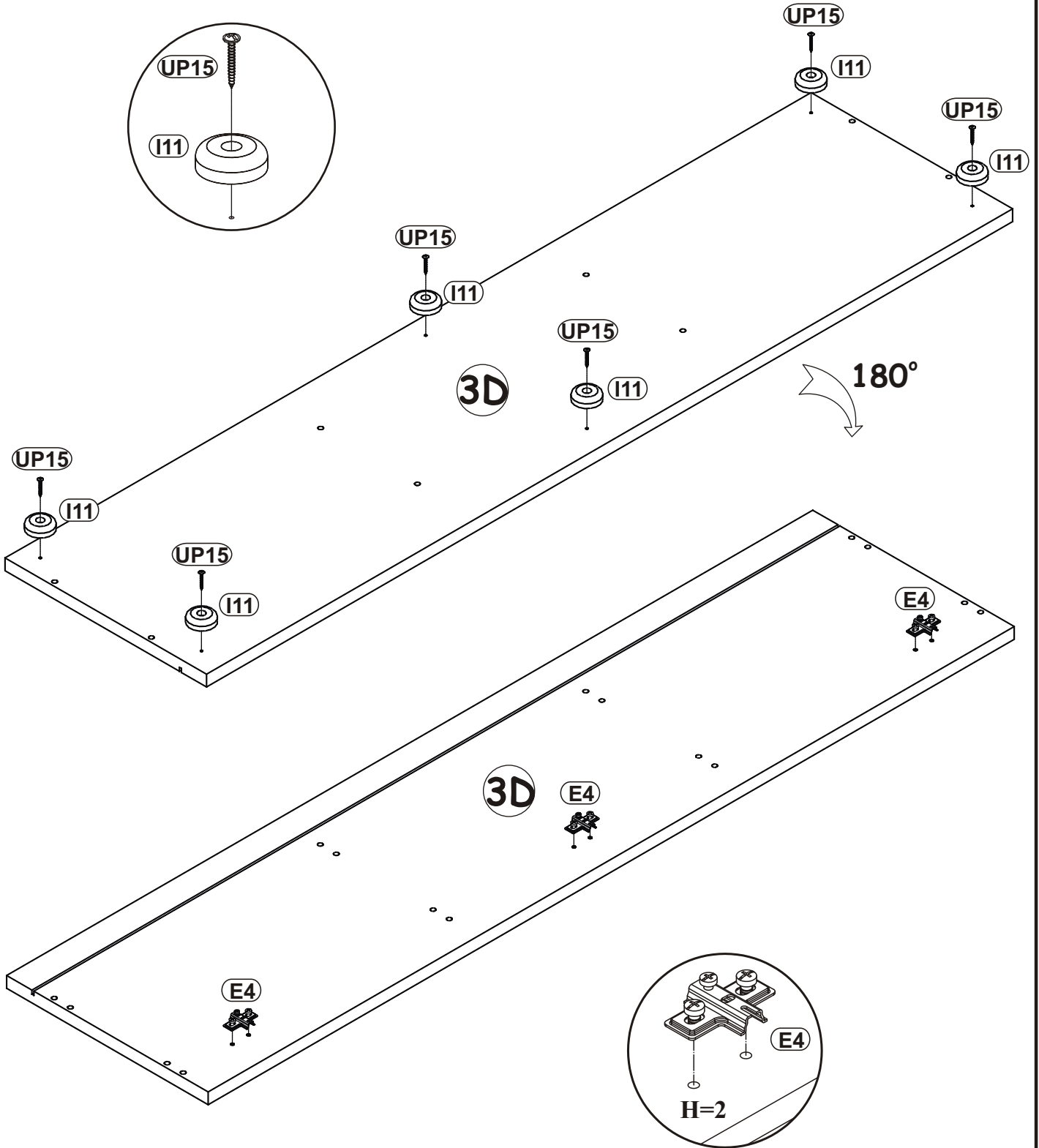
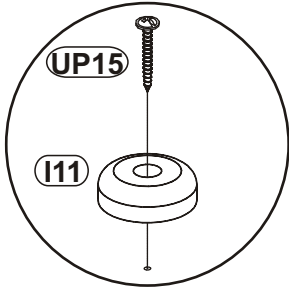


8

I11	
x6	Ø50, h=25

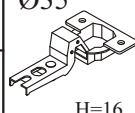

UP15	
x6	UPØ4x25

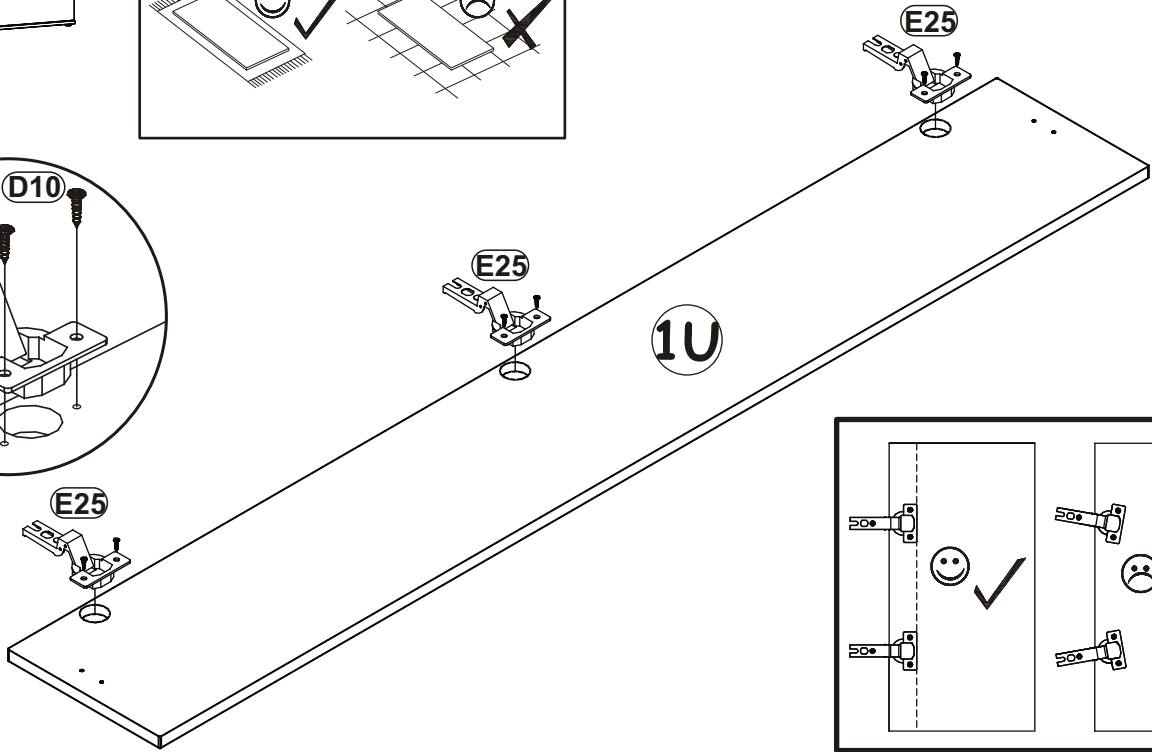
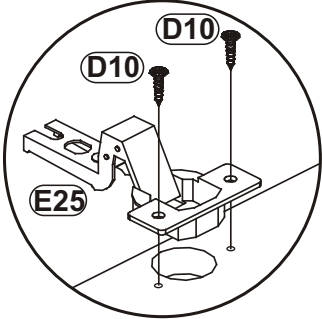
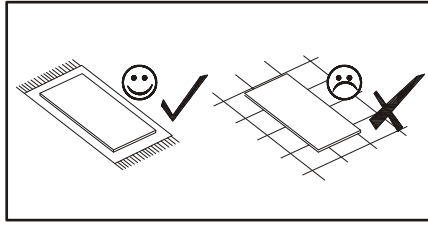
E4	
x3	H=2





SILK TYP 30

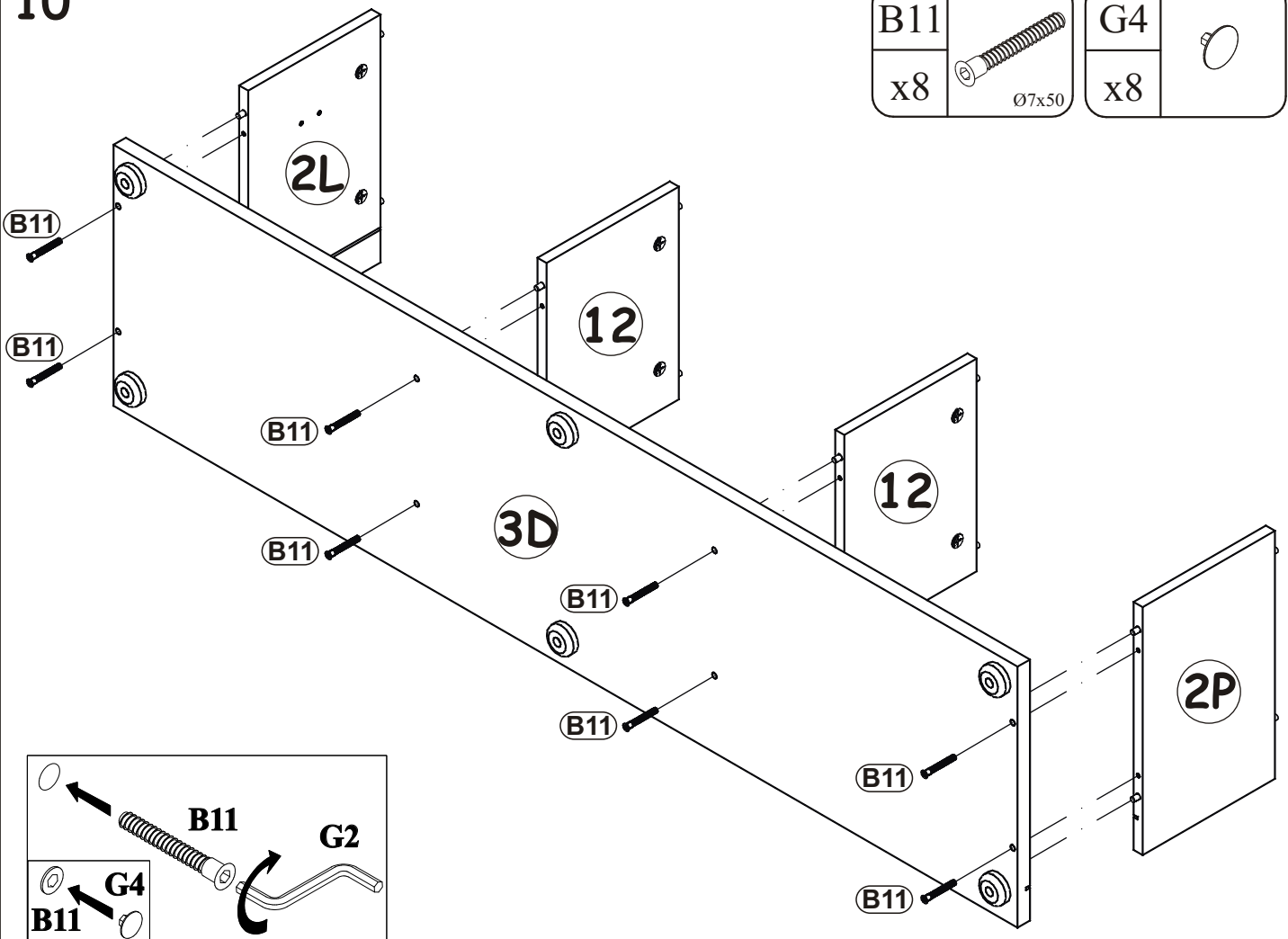
9

E25	Ø35 H=16	D10	USØ3,5x13
x3		x6	



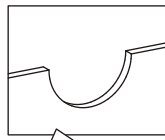
10

B11	Ø7x50	G4	
x8		x8	



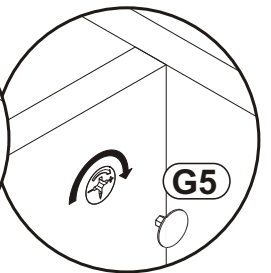
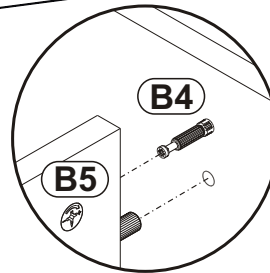
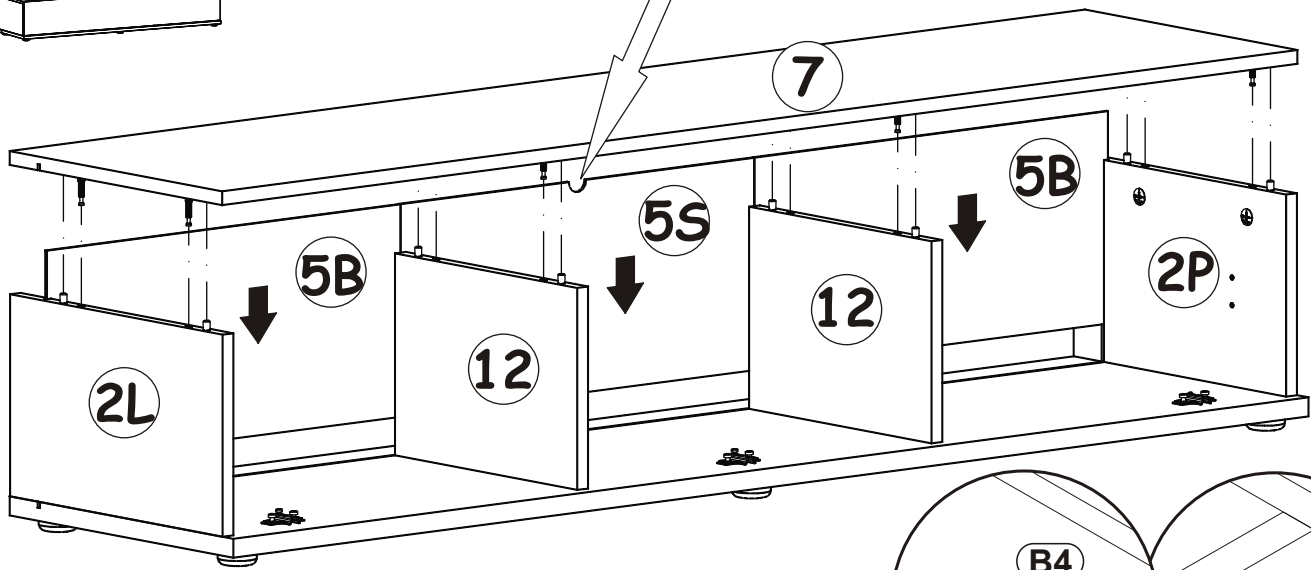
SILK TYP 30

11



G5

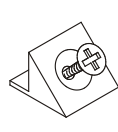
x8



12

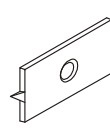
S1

x14



G16

x2



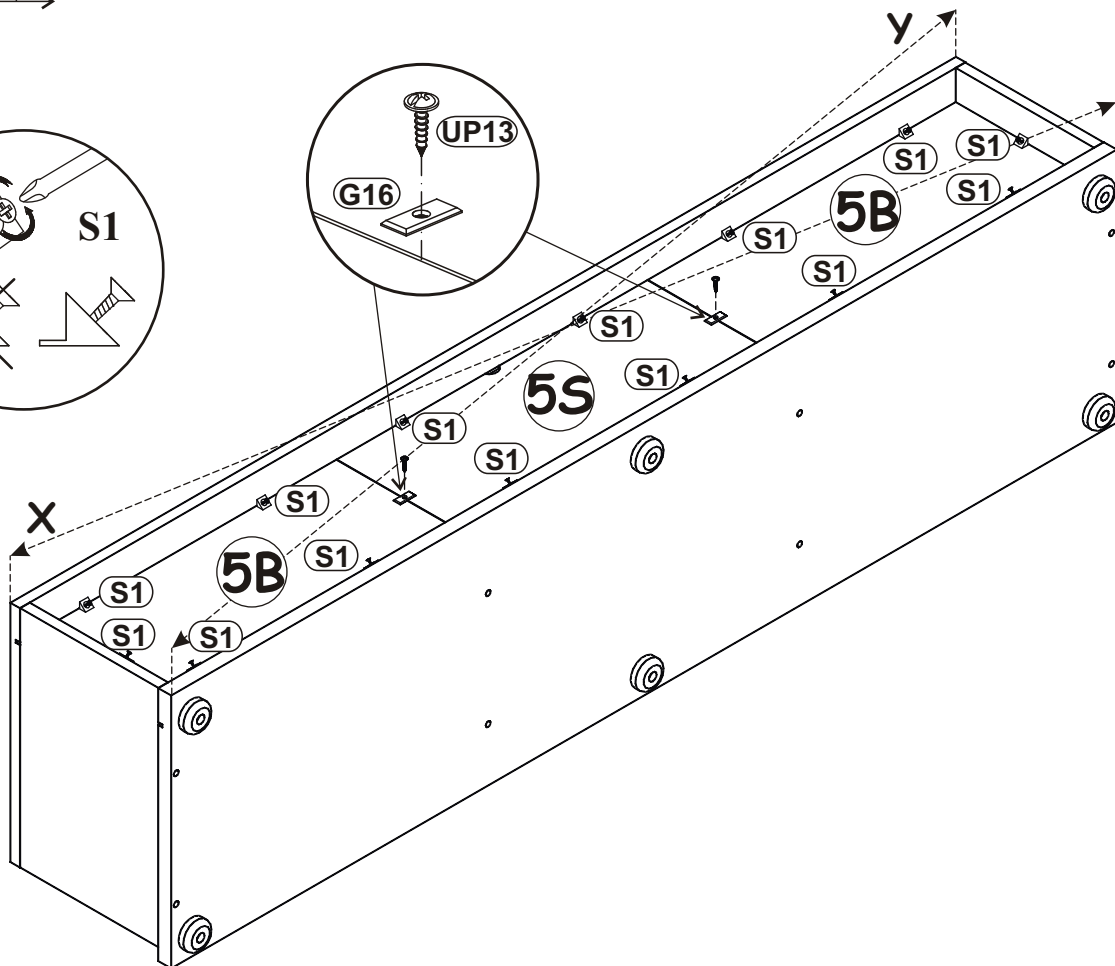
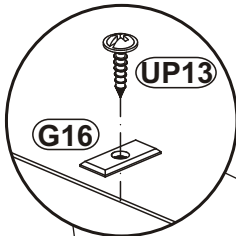
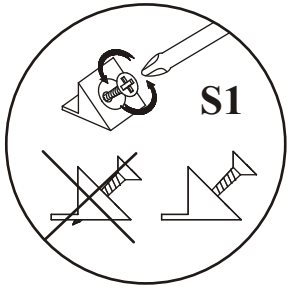
UP13

x2



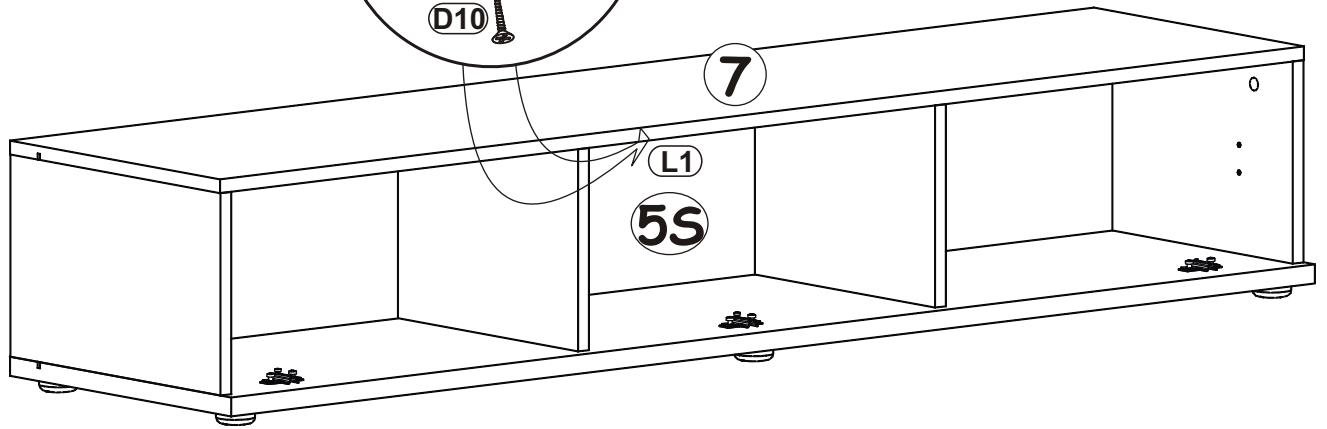
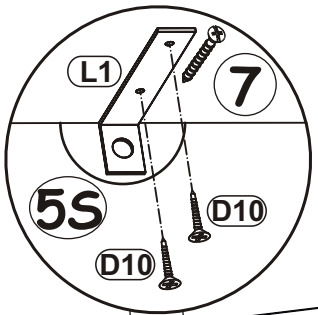
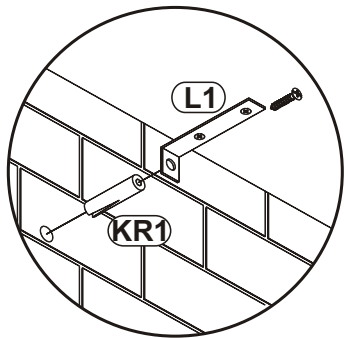
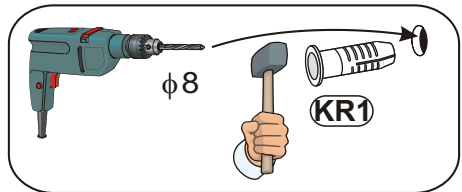
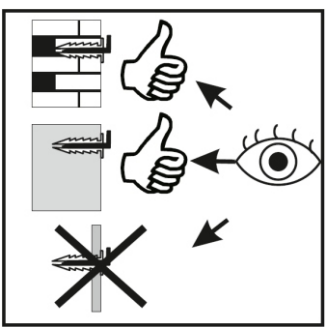
UPØ3x16

X=y 90°

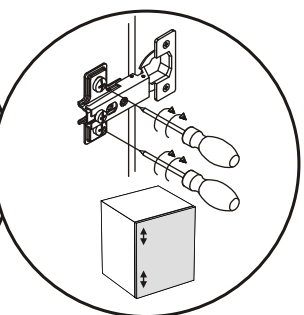
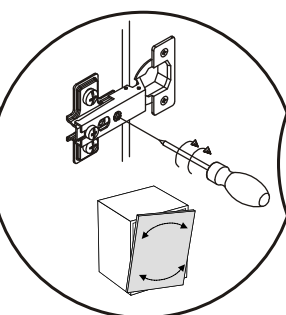
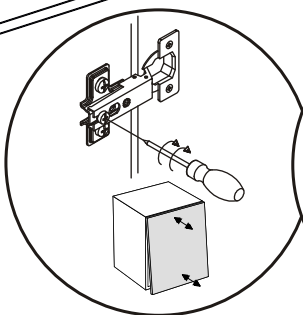
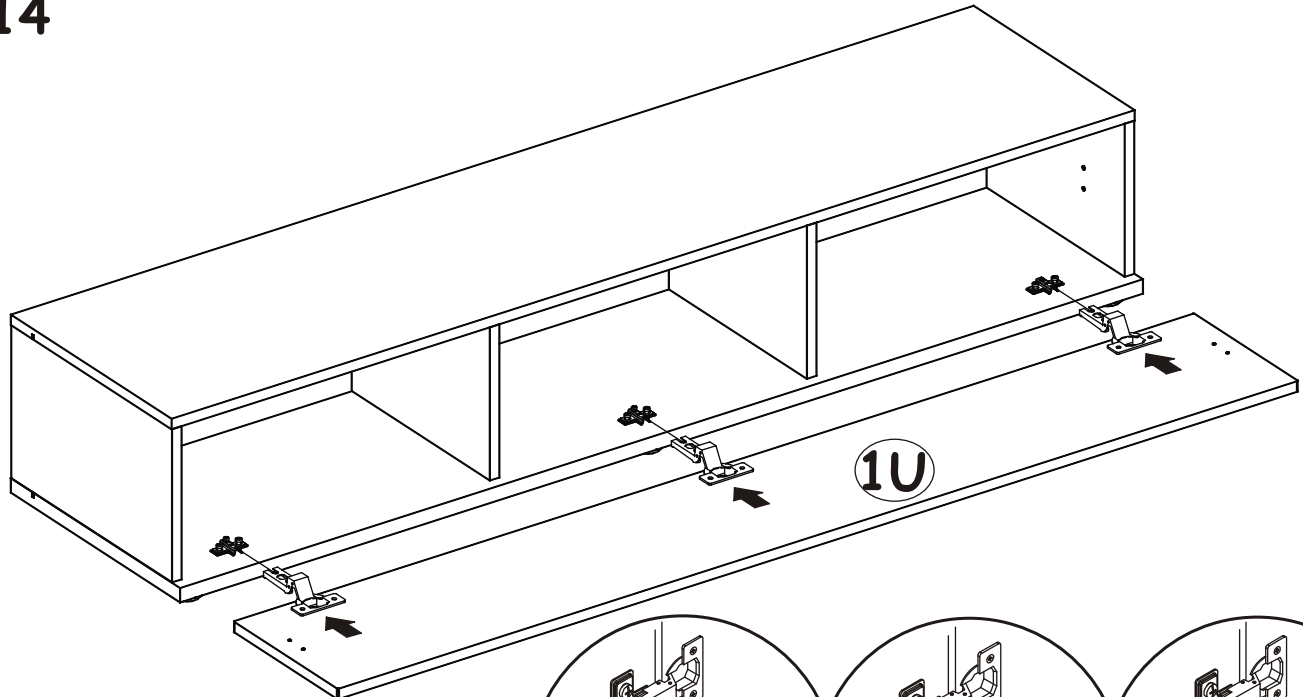


L1		KR1		D10	
x1		x1		x2	USØ3,5x13

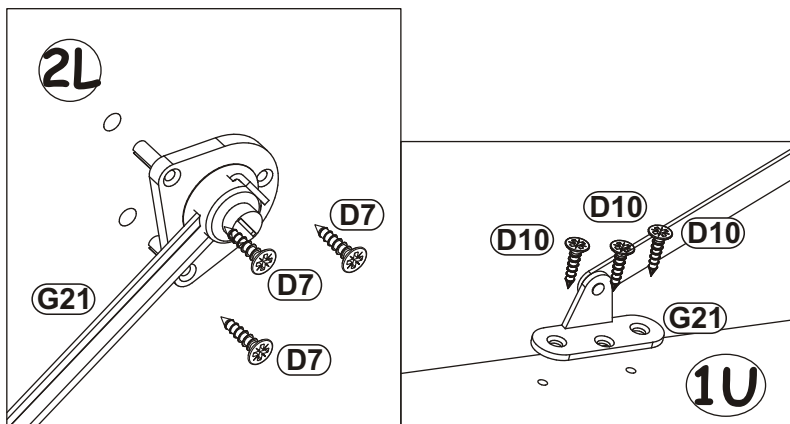
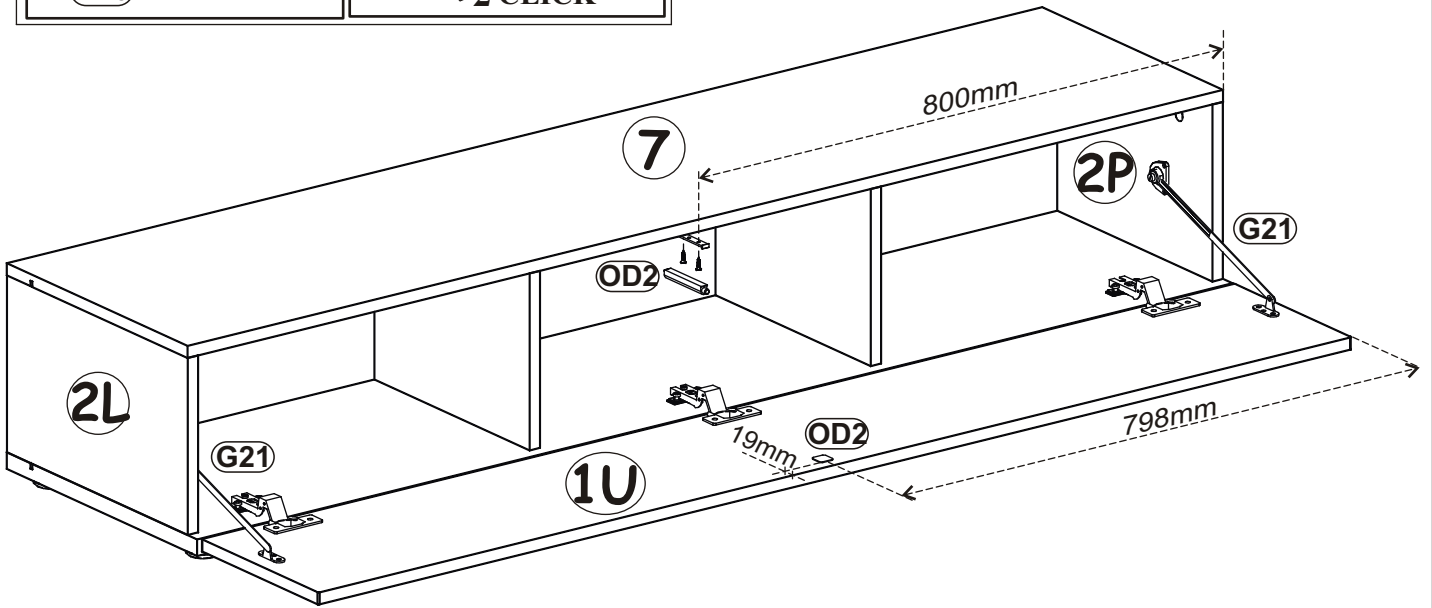
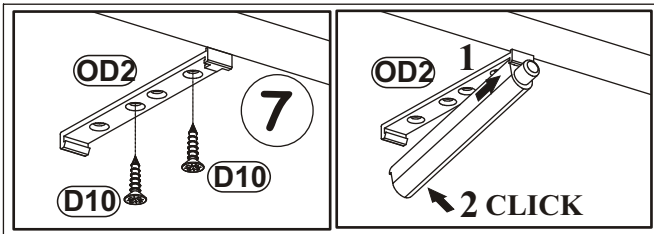
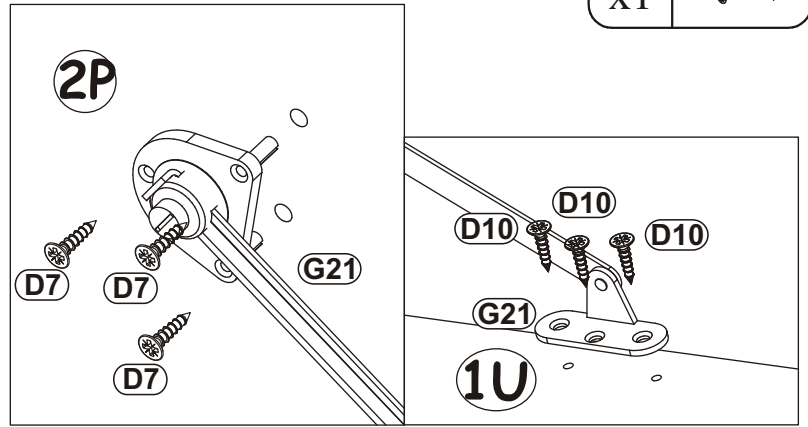
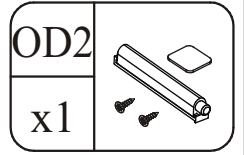
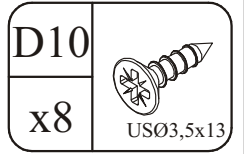
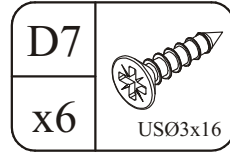
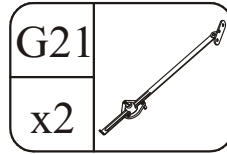
13



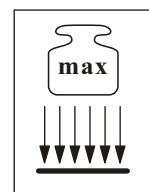
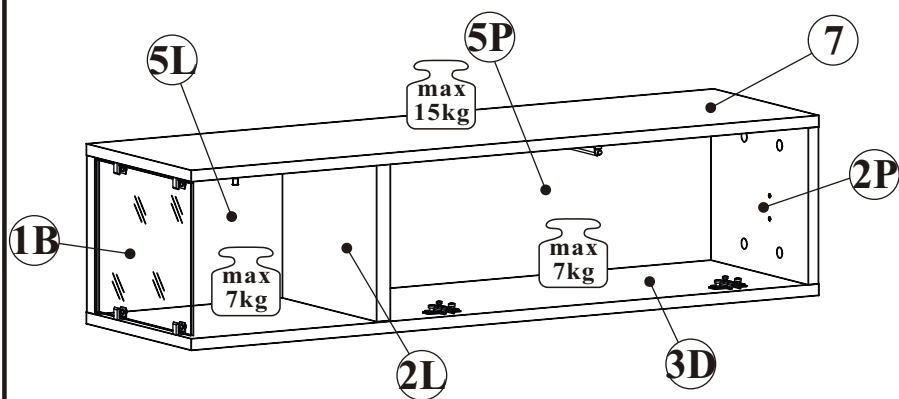
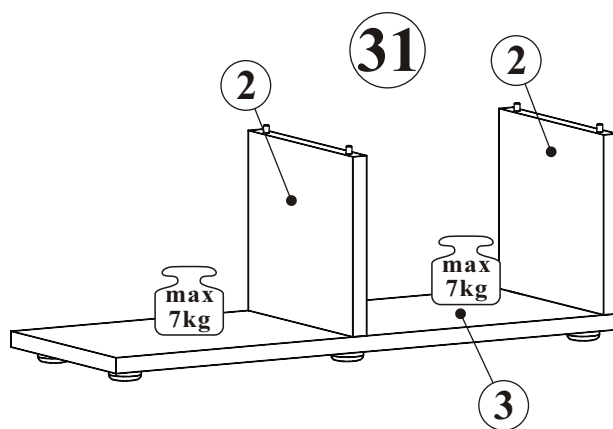
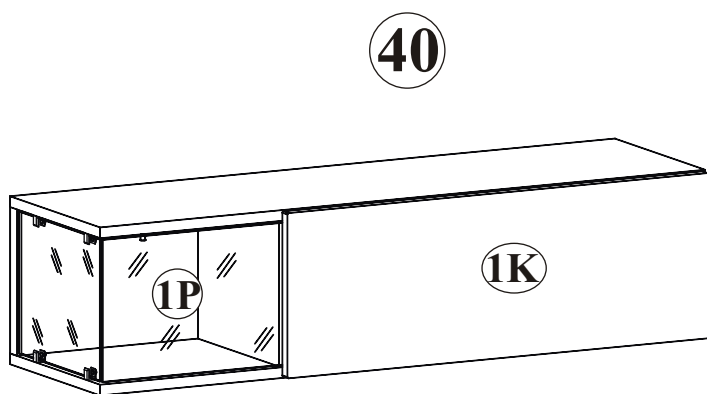
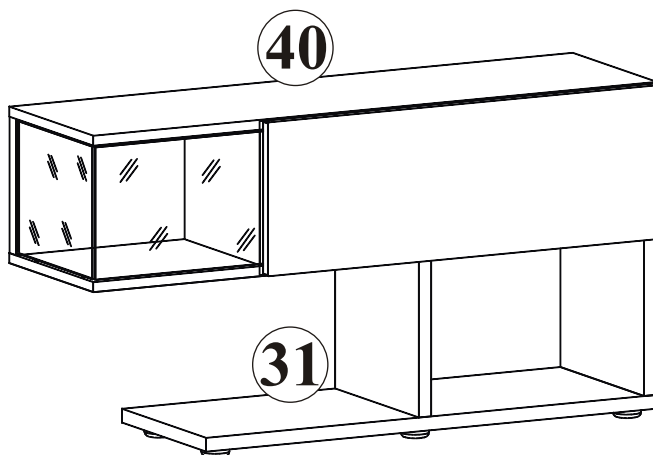
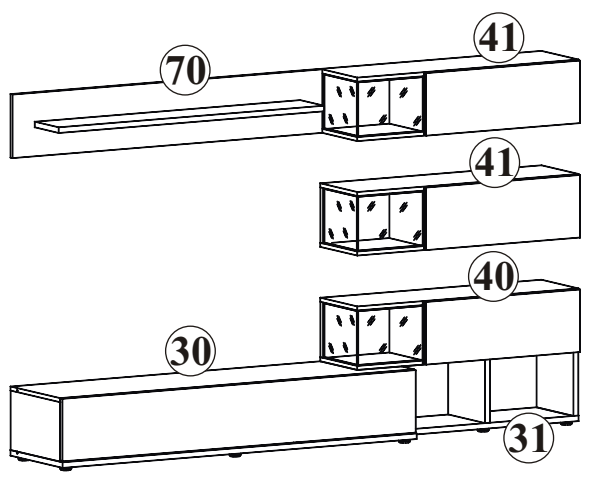
14



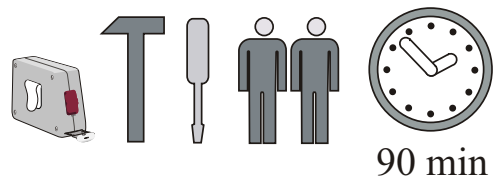
15



SILK TYP 31, TYP 40

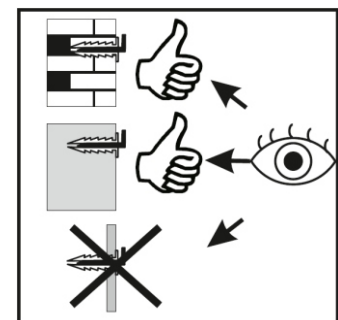
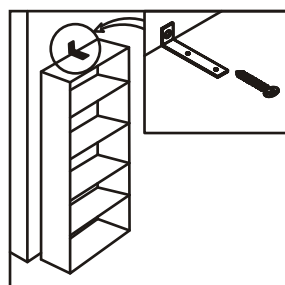
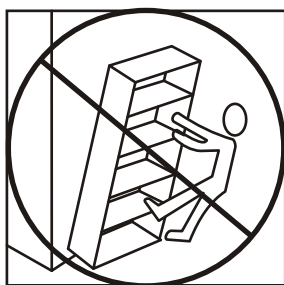
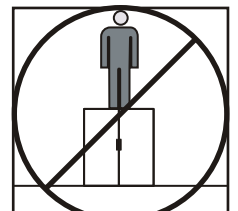
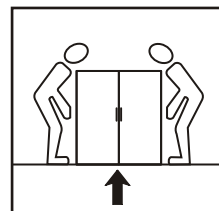
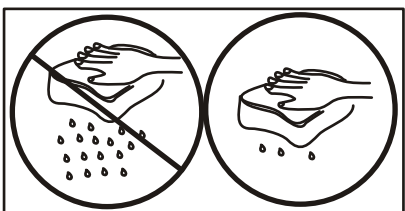
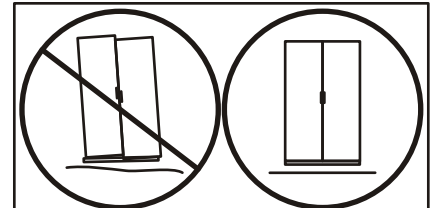
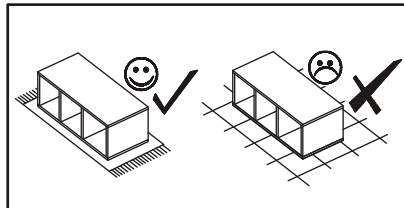
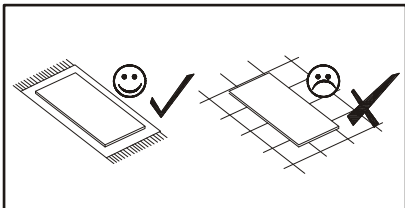
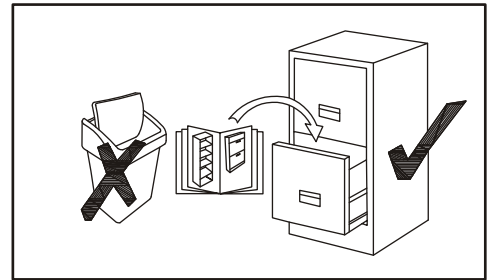
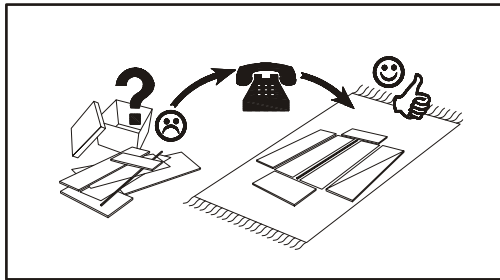
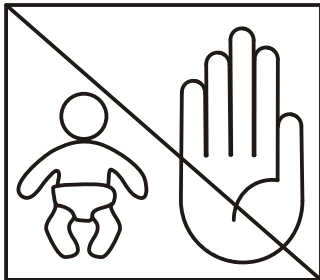
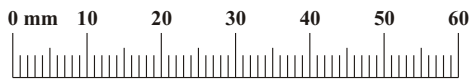


NO	Dim.			Col.-No	Qty
1K	696	246	16	2 / 3.	1
1P	212	318	4	2 / 3.	1
1B	212	255	4	2 / 3.	1
2	250	283	22	4 / 3.	2
2L	277	218	22	5 / 3.	1
2P	218	284	16	2 / 3.	1
3	800	284	22	2 / 3.	1
3D	1000	284	16	2 / 3.	1
5L	299	218	22	2 / 3.	1
5P	230	674	3	2 / 3.	1
7	1000	284	16	2 / 3.	1



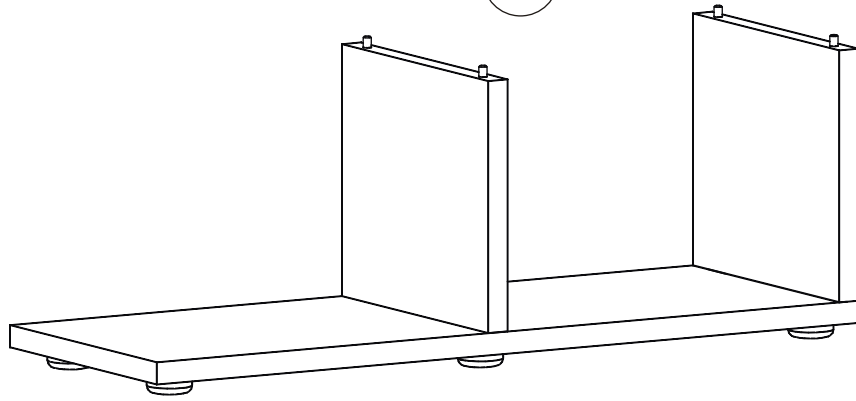
SILK TYP 31, TYP 40

A1 x20 ø8x36	B4 x12	B5 x4 Ø15x12	B16 x8 Ø15x16	G5 x12	B11 x4 Ø7x50
E21 x2 Ø35 H=0	E2 x2 H=0	D10 x11 USØ3,5x13	G21 x1	D7 x3 USØ3x16	G4 x4
I11 x6 Ø50, h=25	UP15 x6 UPØ4x25	G20 x1	G32 x4	P2 x3	UP13 x3 UPØ3x16
S1 x6	OD2 x1	KR1 x1	L1 x1	G2 x1	UP6 x2 UPØ4x30



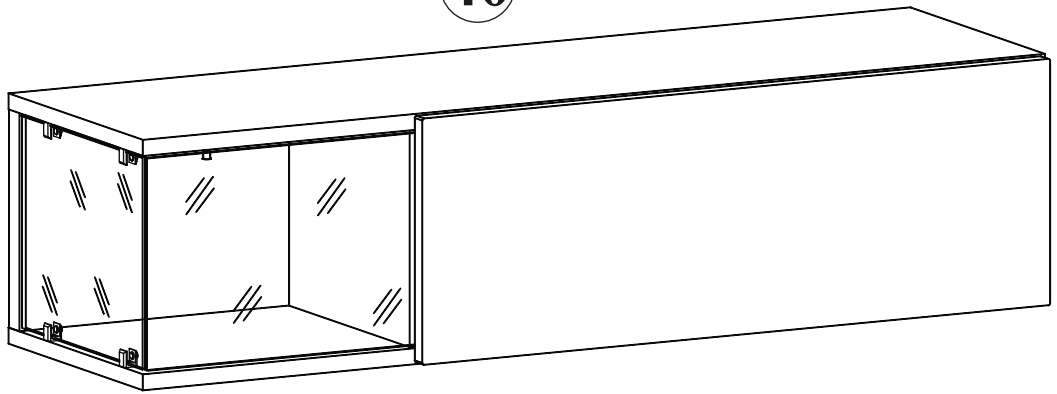
1 - 3

31



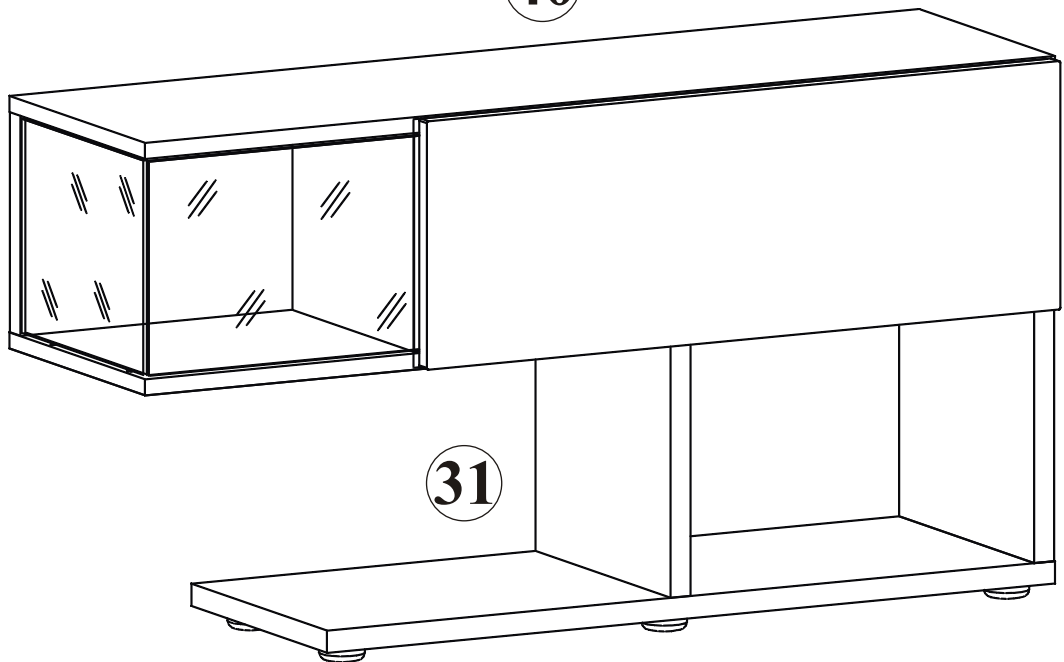
4 - 15

40



16 - 17

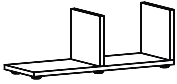
40



31

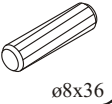
SILK TYP 31

1

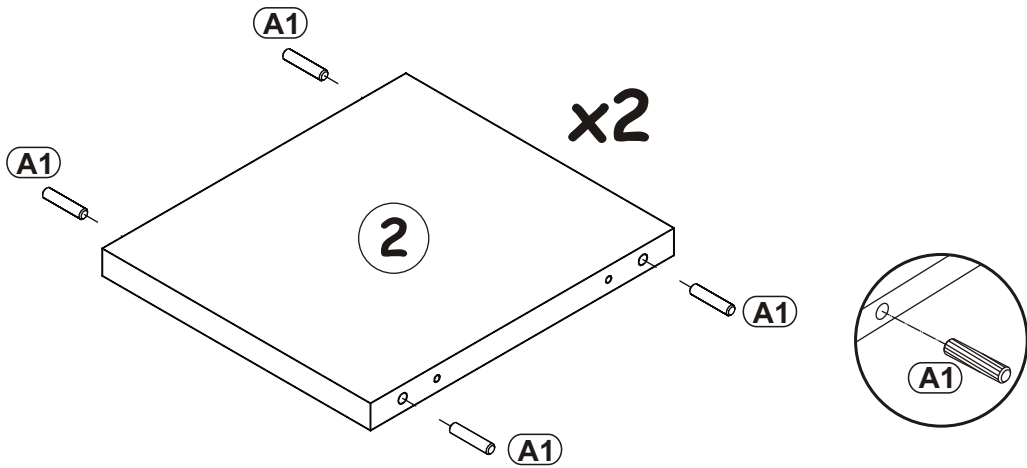


A1

x8



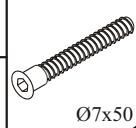
ø8x36



2

B11

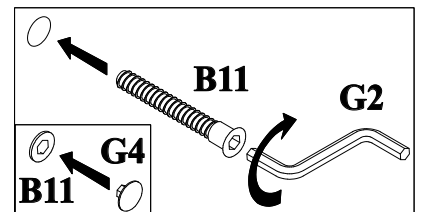
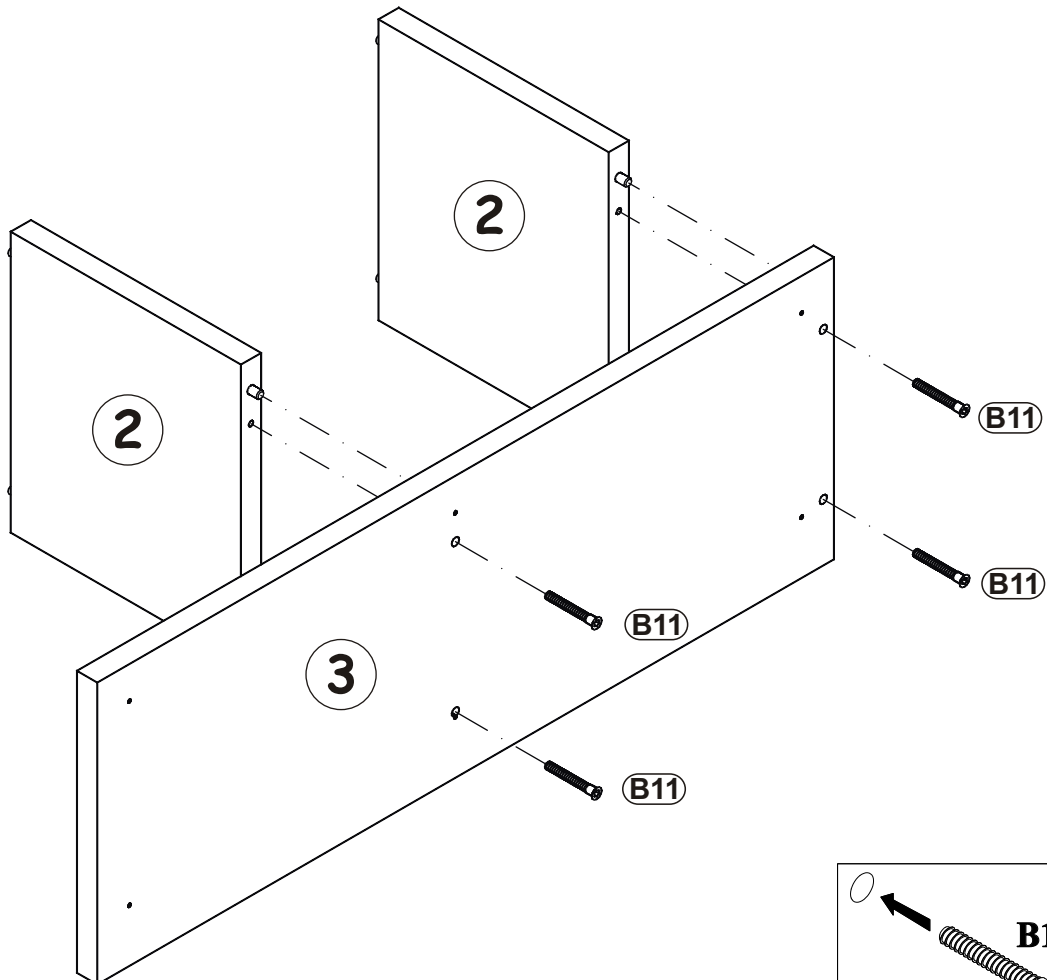
x4



Ø7x50

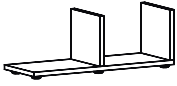
G4

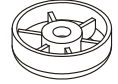
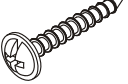
x4

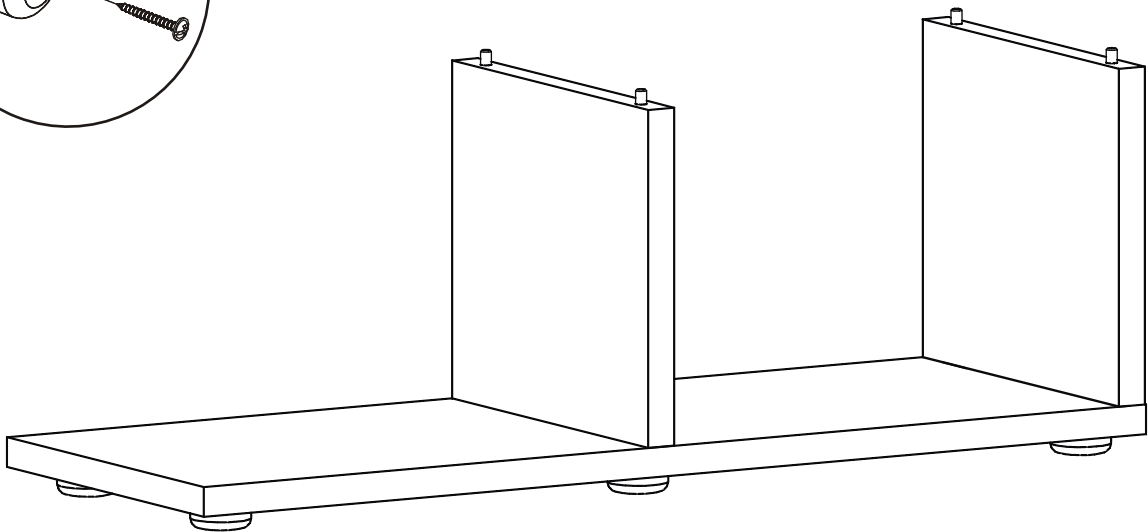
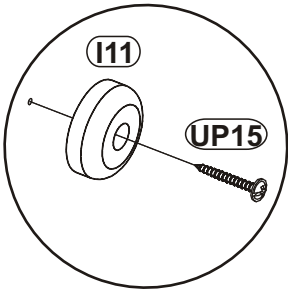
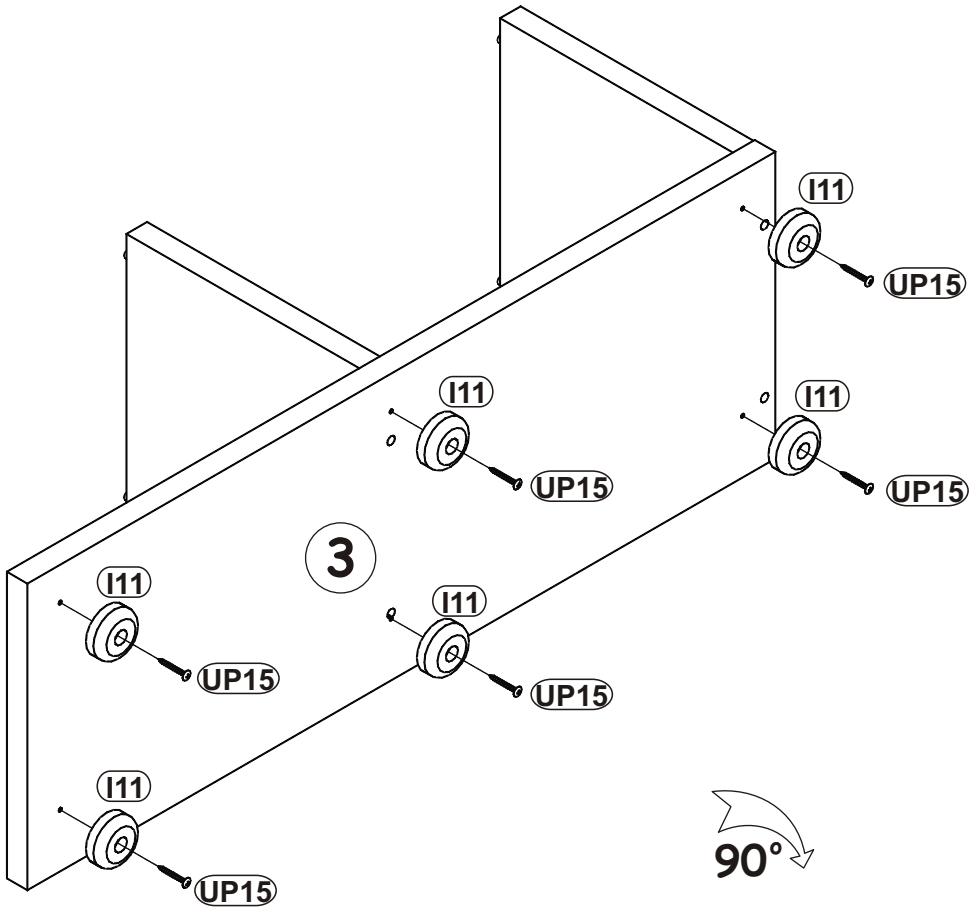


SILK TYP 31

3

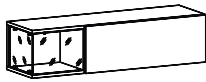


I11		UP15	
x6	Ø50, h=25	x6	UPØ4x25



SILK TYP 40

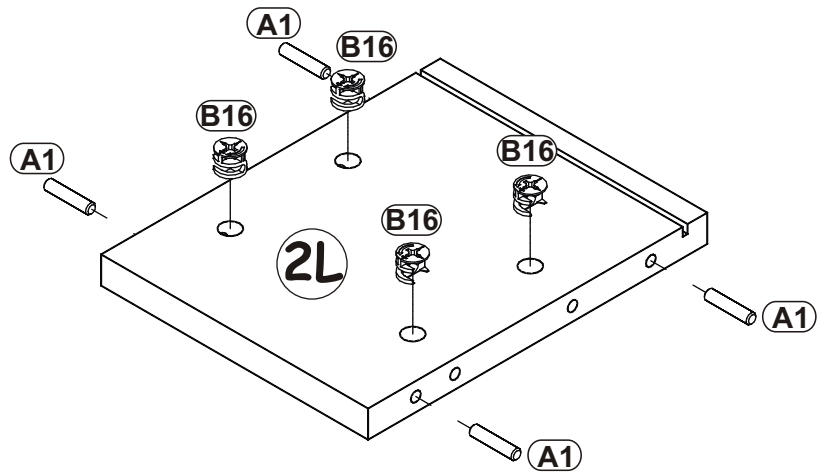
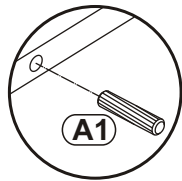
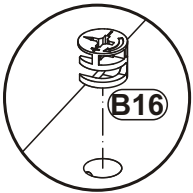
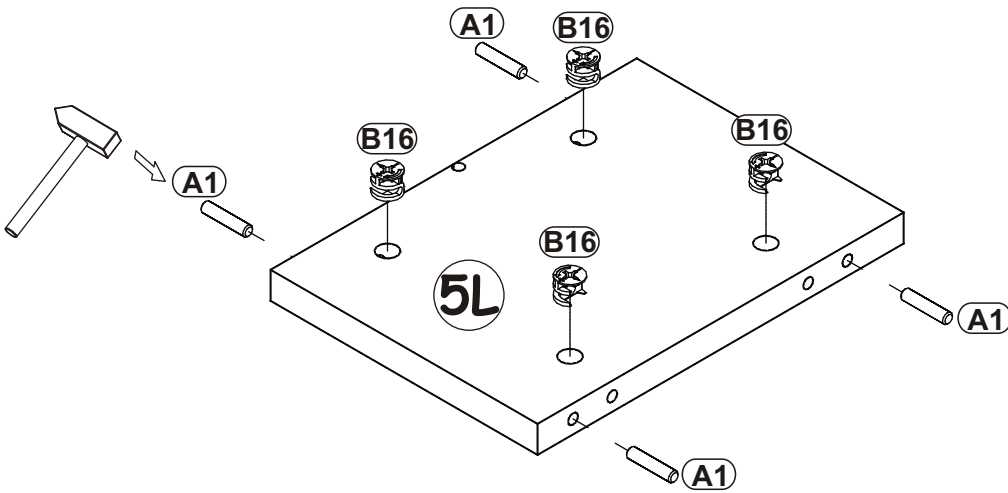
4



A1	
x8	ø8x36

B16	
x8	Ø15x16

12mm		16mm	
	B5		B16

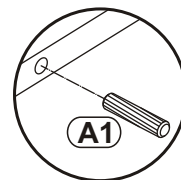
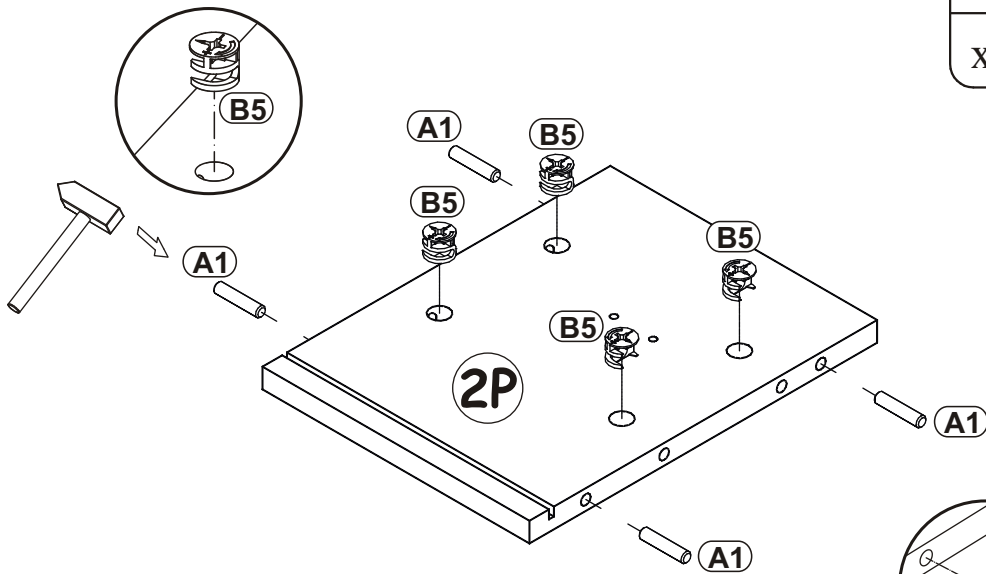


5

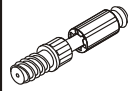
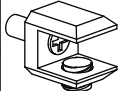
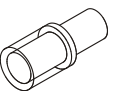
A1	
x4	ø8x36

B5	
x4	Ø15x12

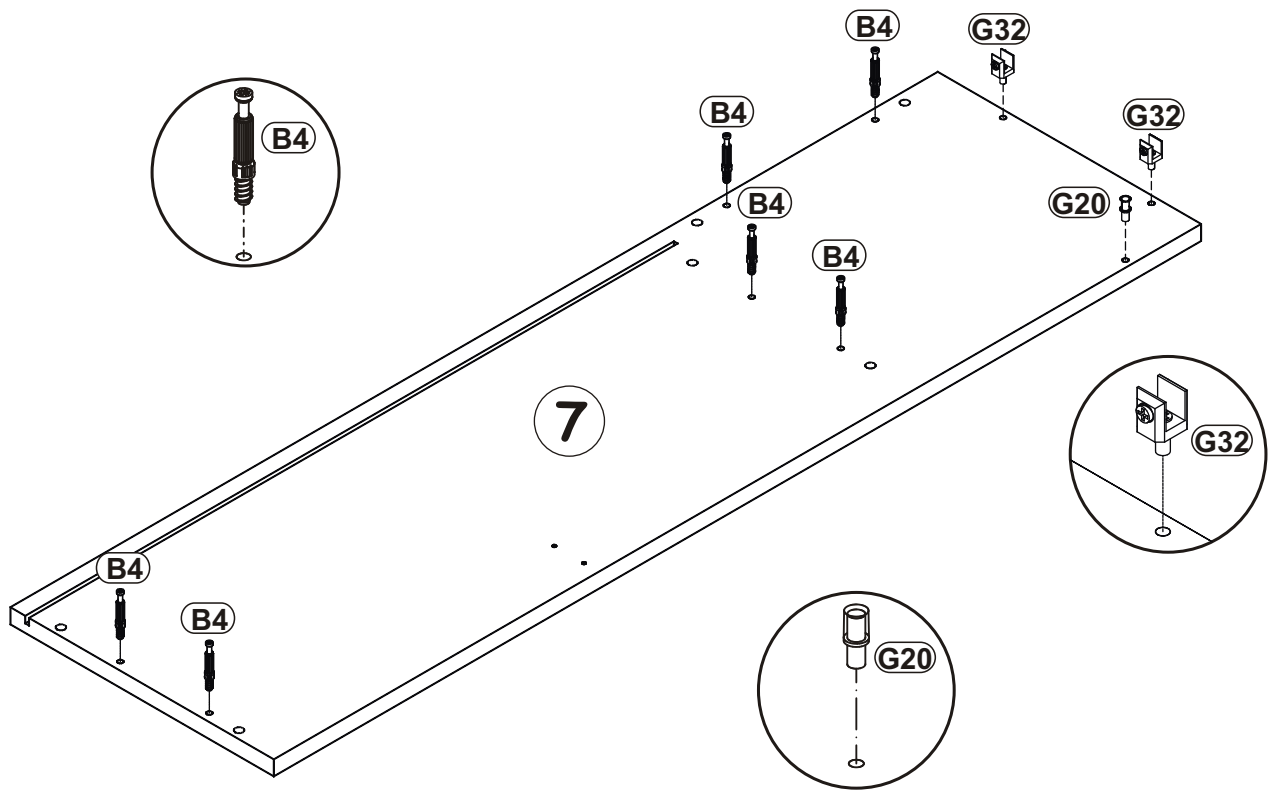
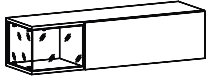
12mm		16mm	
	B5		B16



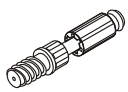
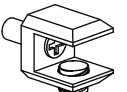
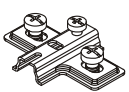
SILK TYP 40

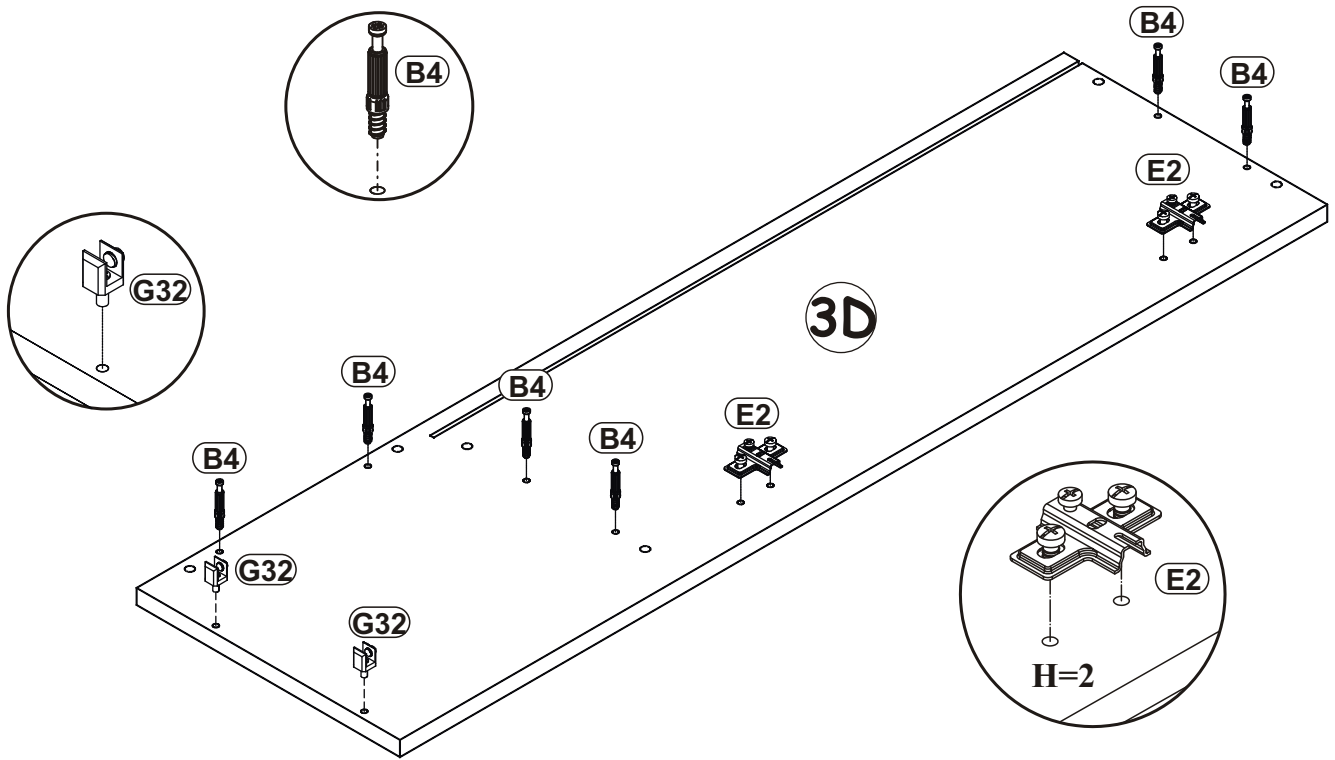
B4		G32		G20	
x6		x2		x1	

6

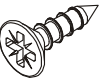


7

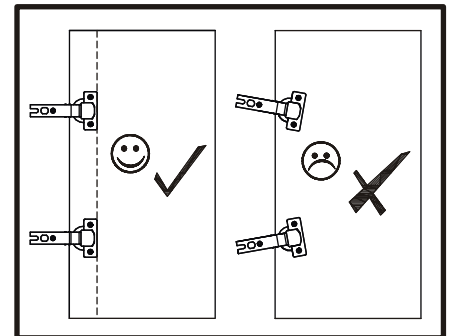
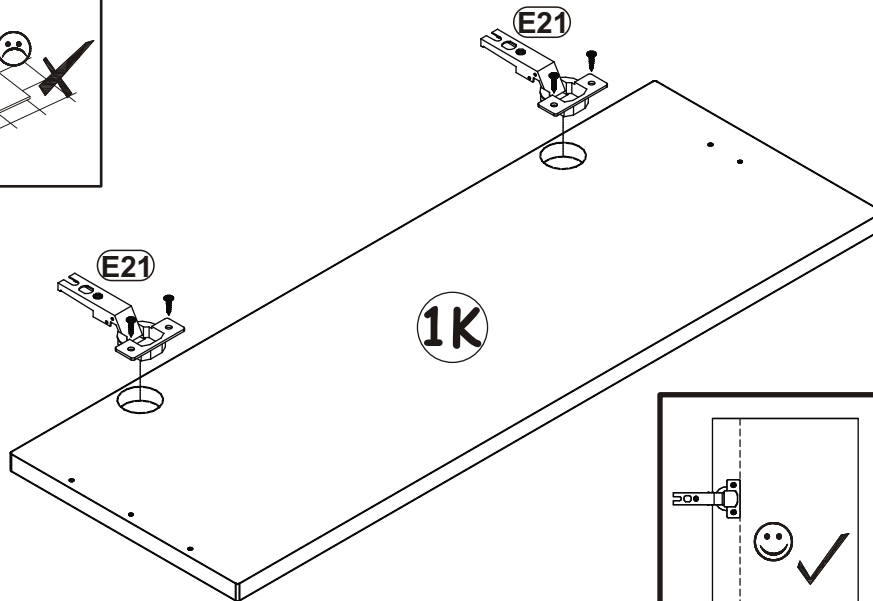
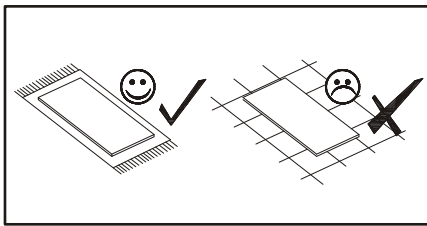
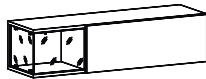
B4		G32		E2	
x6		x2		x2	H=0



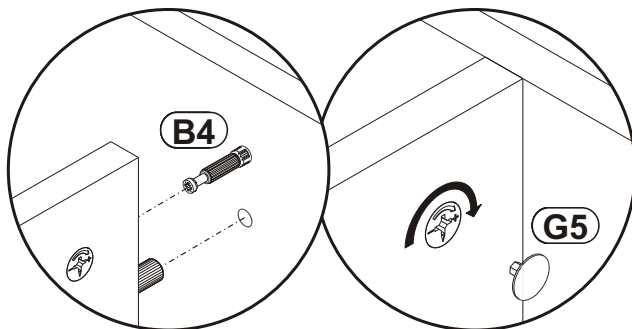
SILK TYP 40


E21	Ø35	D10	 USØ3,5x13
x2	H=0	x4	

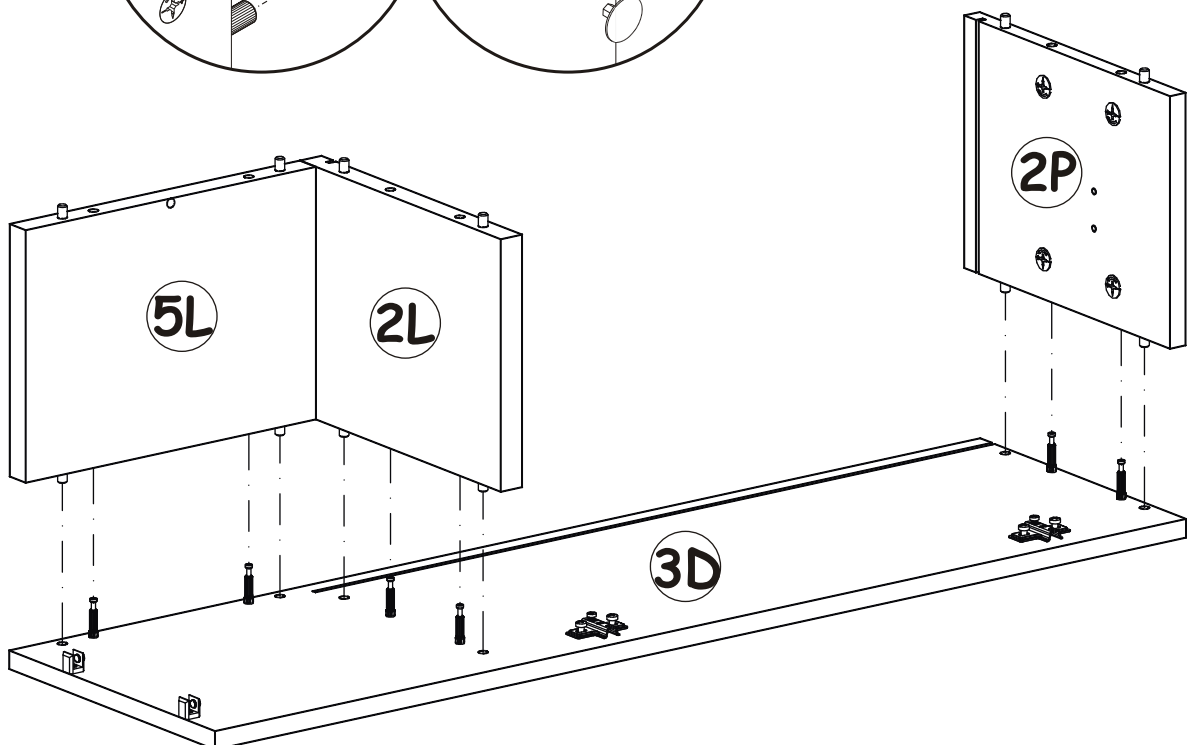
8



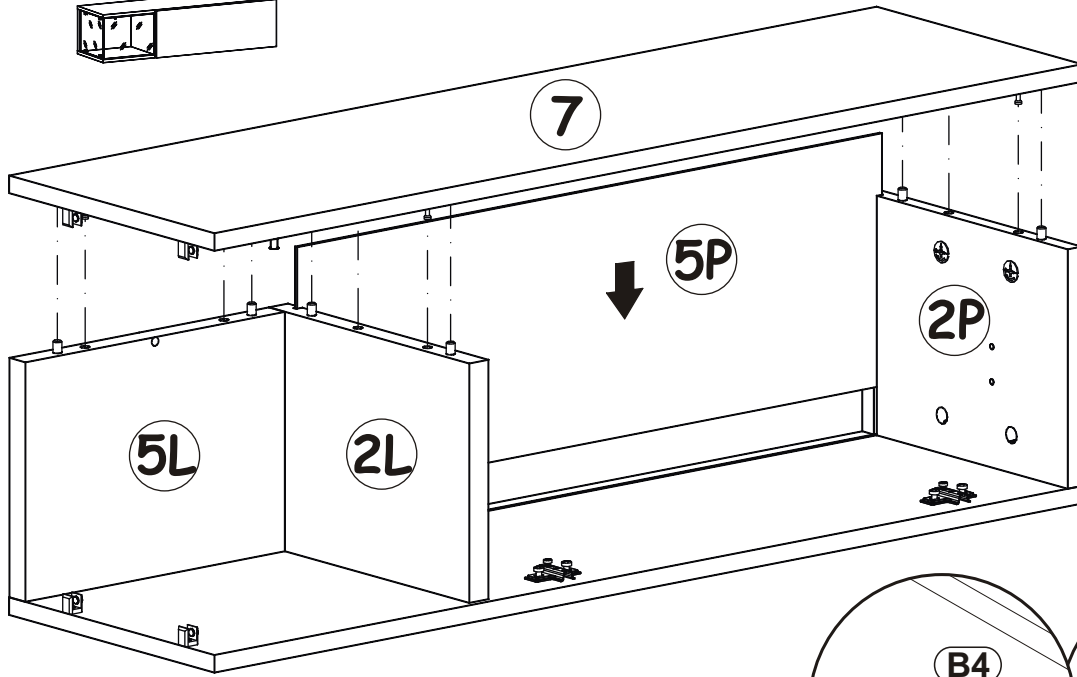
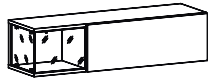
9



G5	
x6	

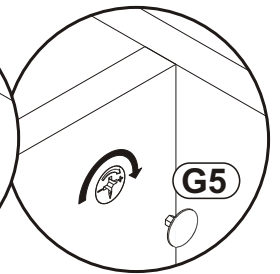
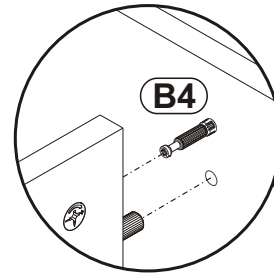
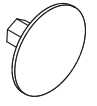


10



G5

x6



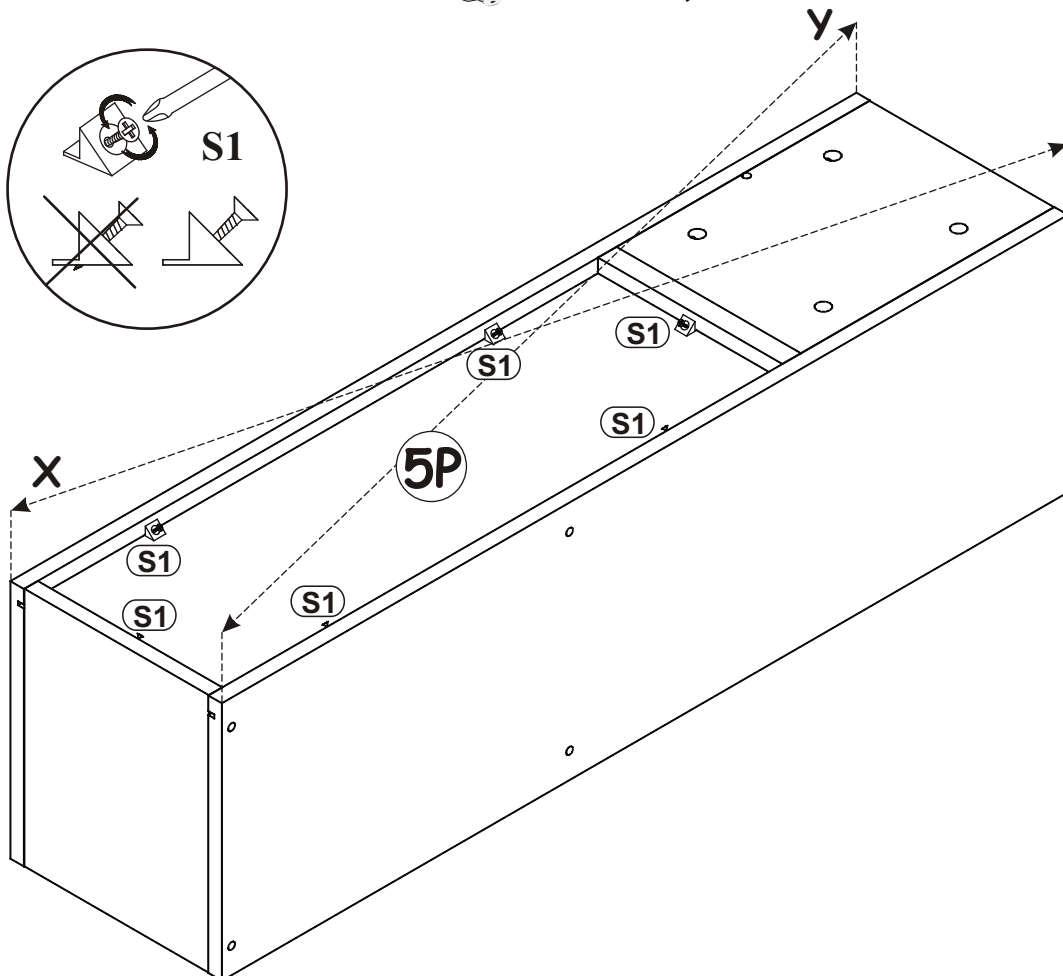
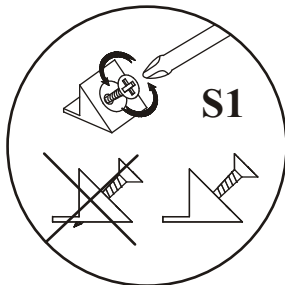
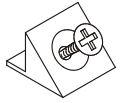
11



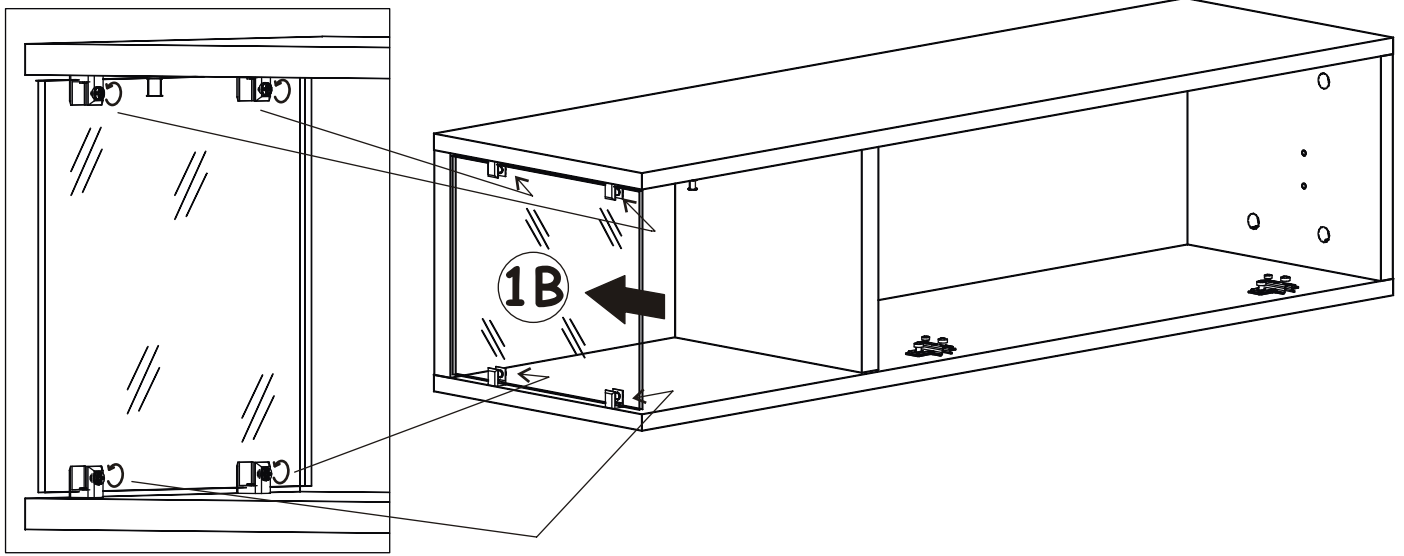
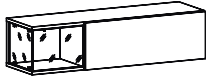
$X=Y$ 90°

S1

x6

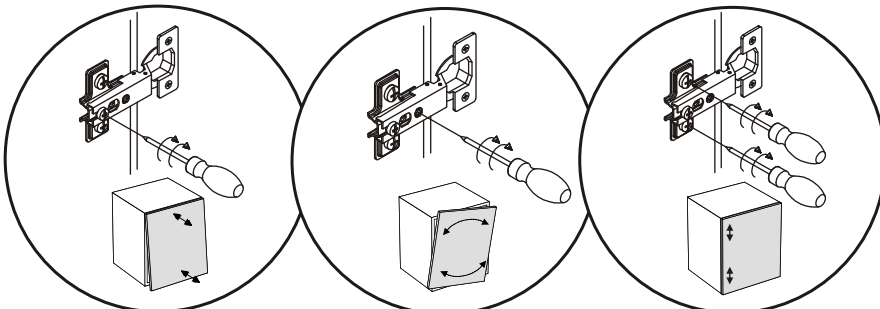
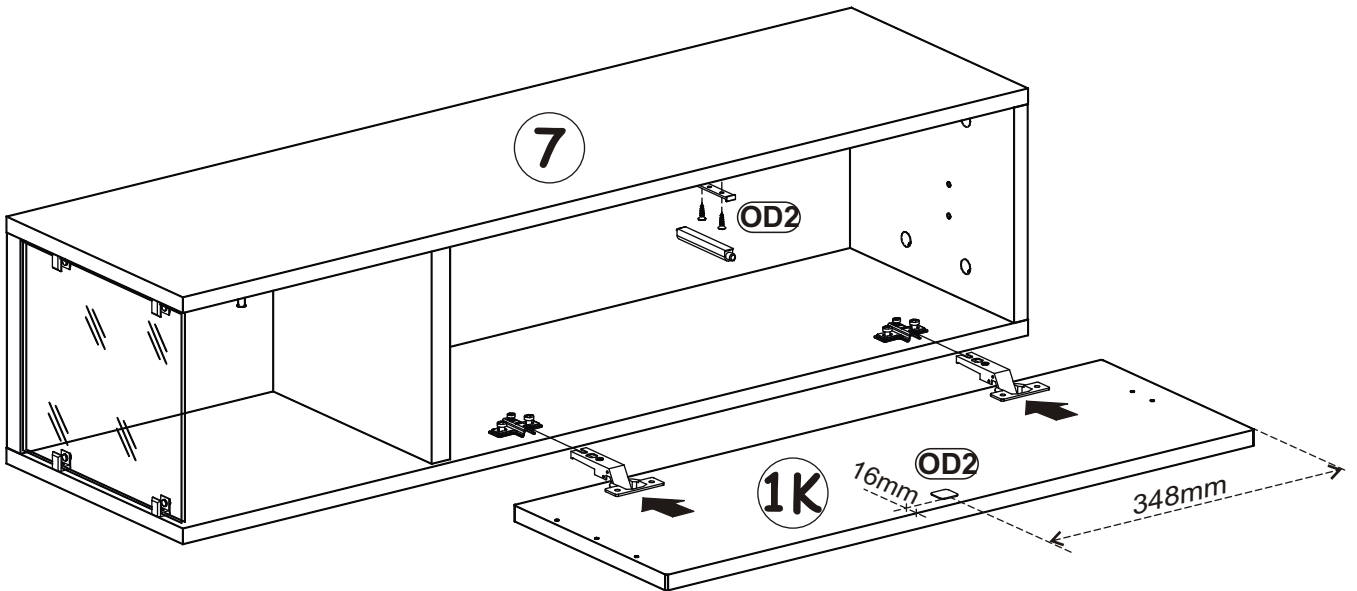
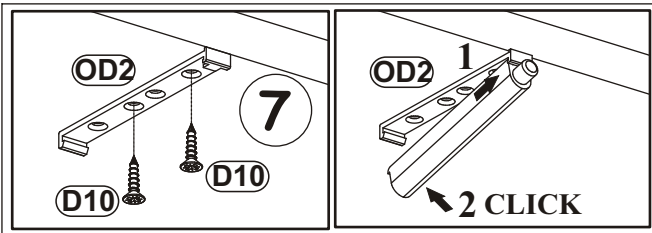


12

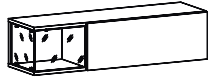


13

OD2		D10	
x1		x2	US03,5x13



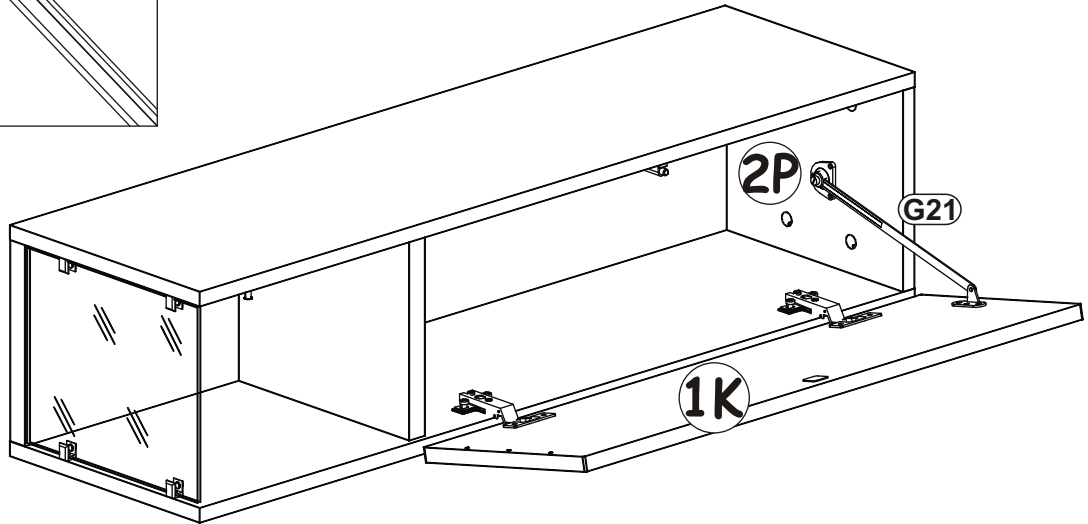
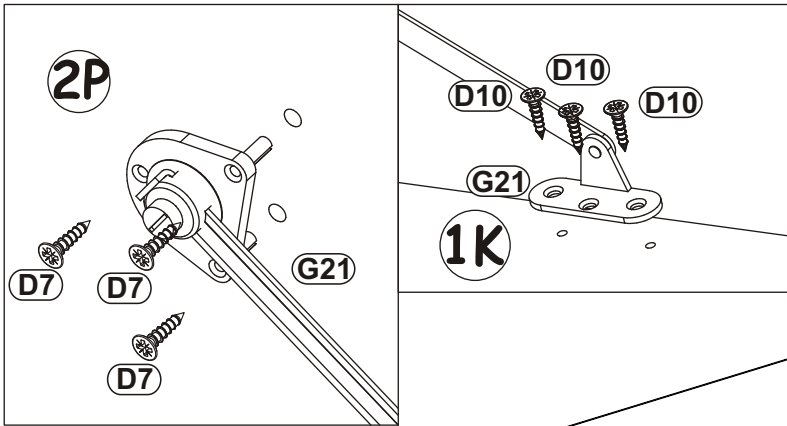
14



G21	
x1	

D7	
x3	USØ3x16

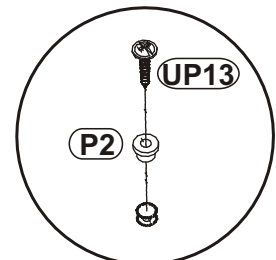
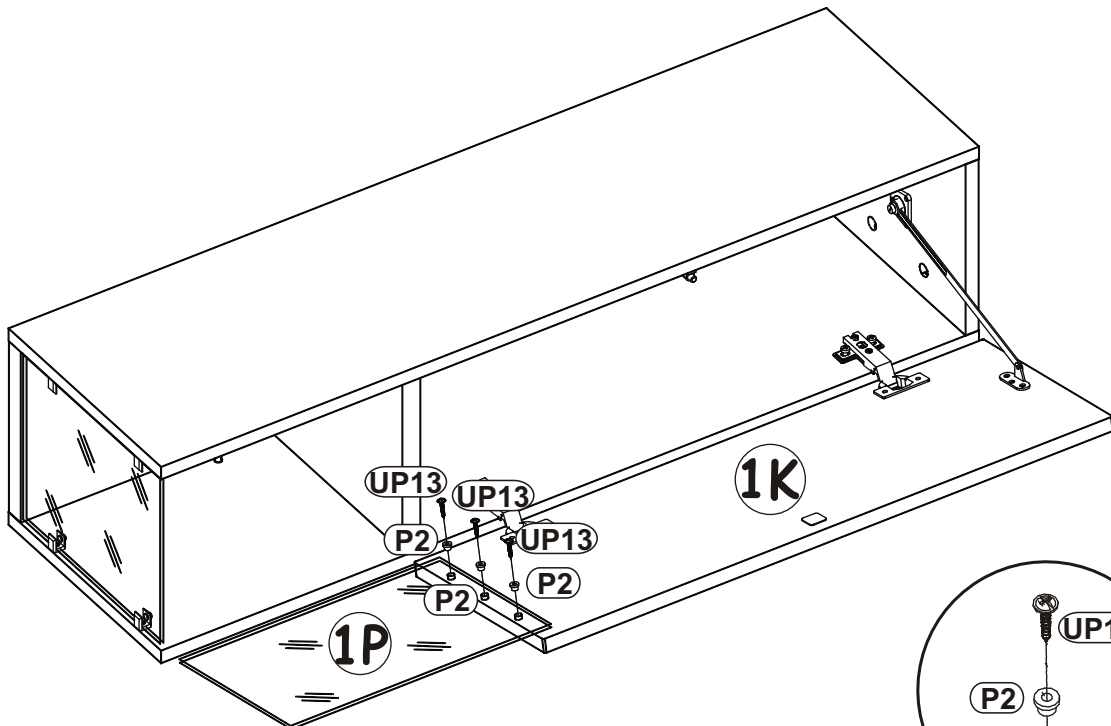
D10	
x3	USØ3,5x13



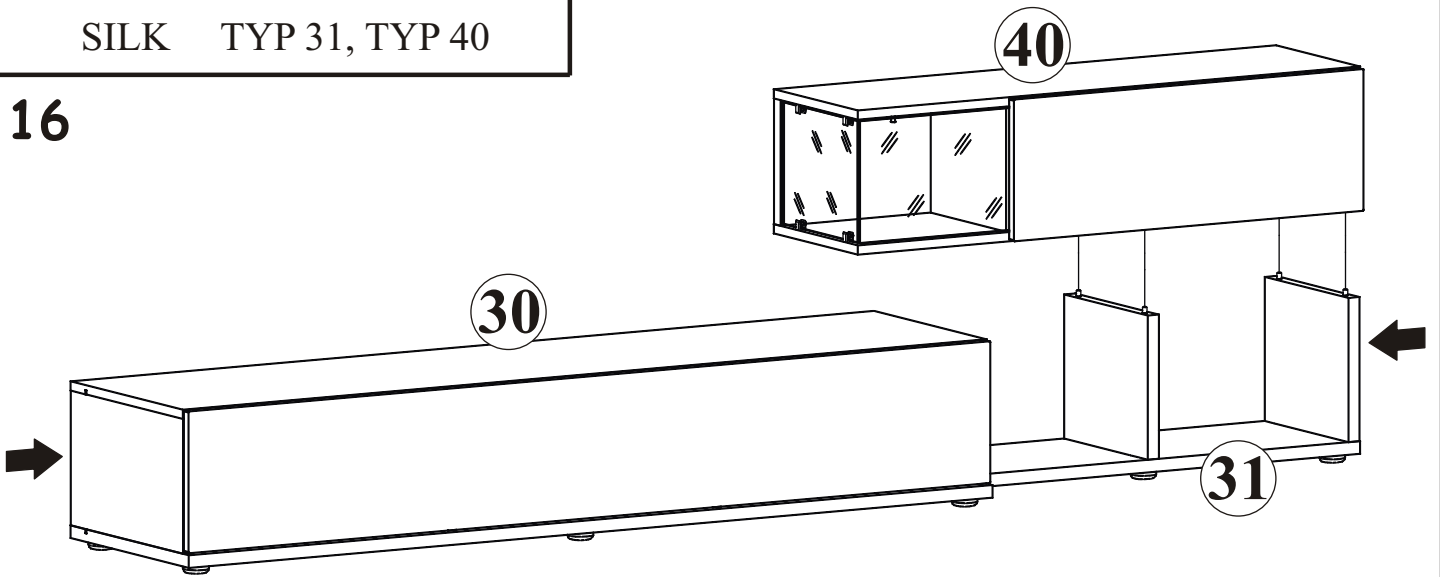
15

P2	
x3	

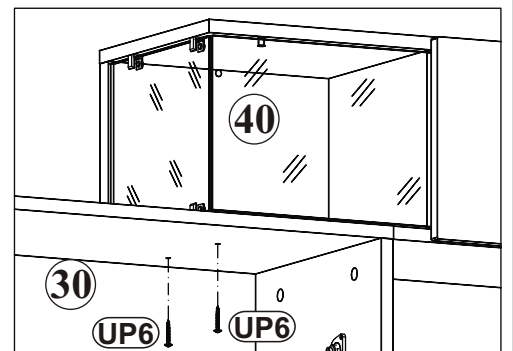
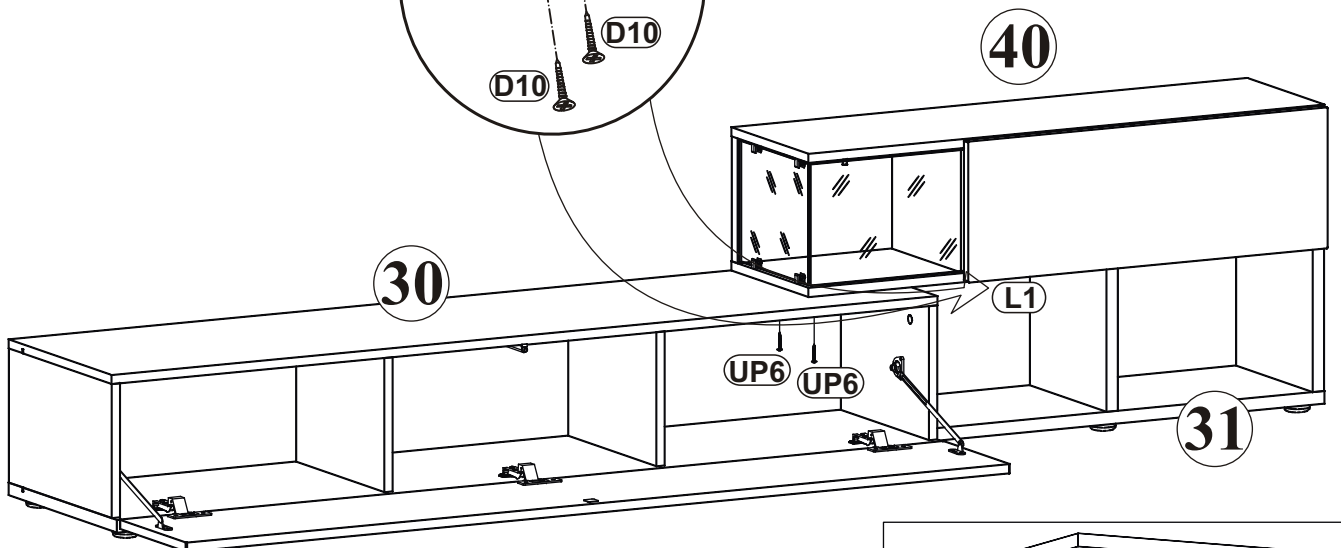
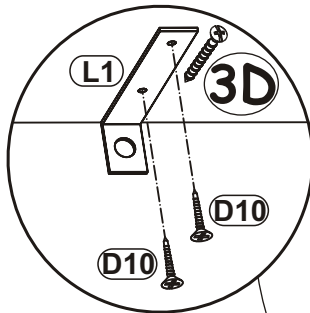
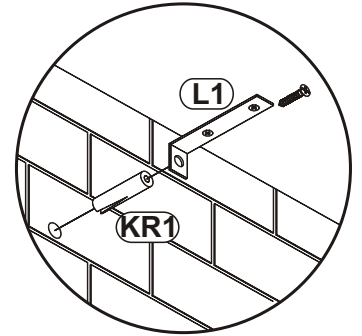
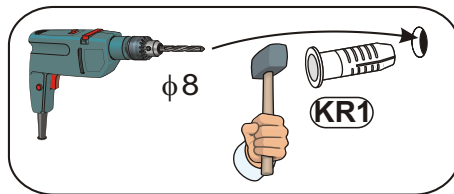
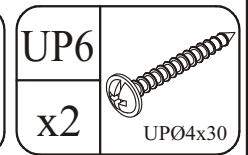
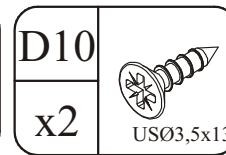
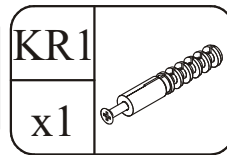
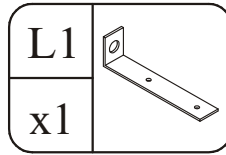
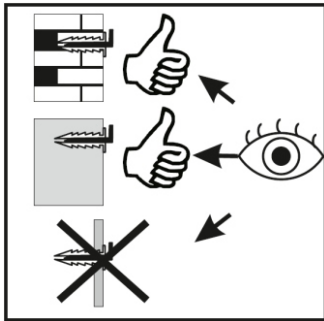
UP13	
x3	UPØ3x16



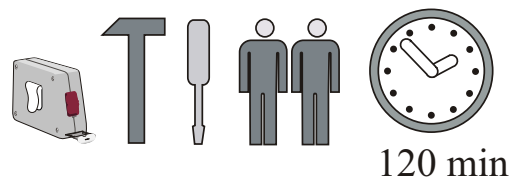
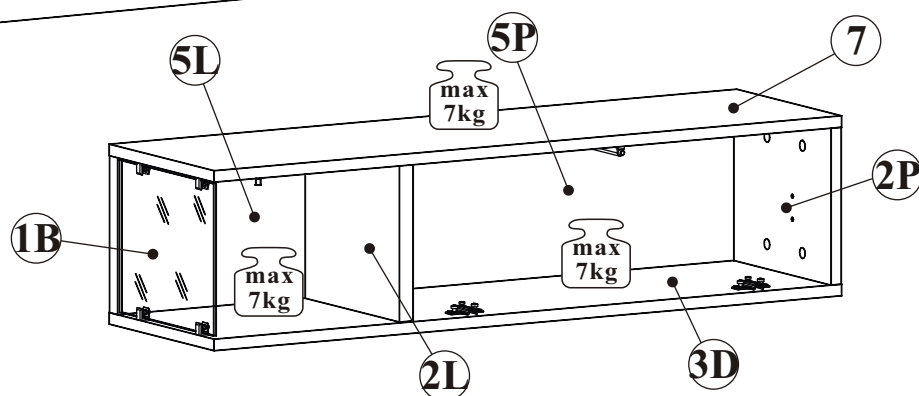
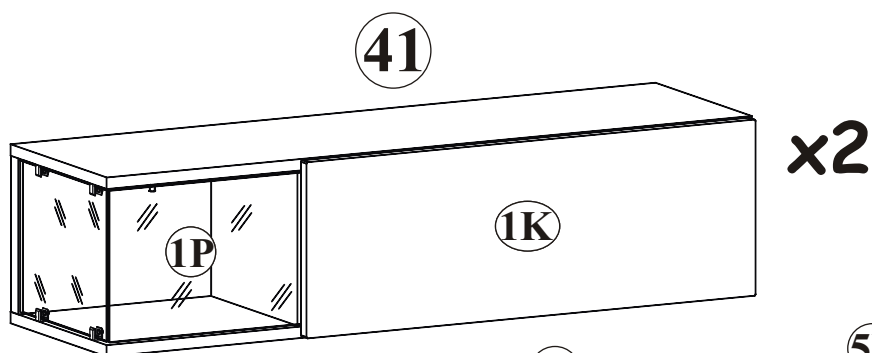
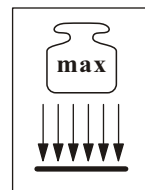
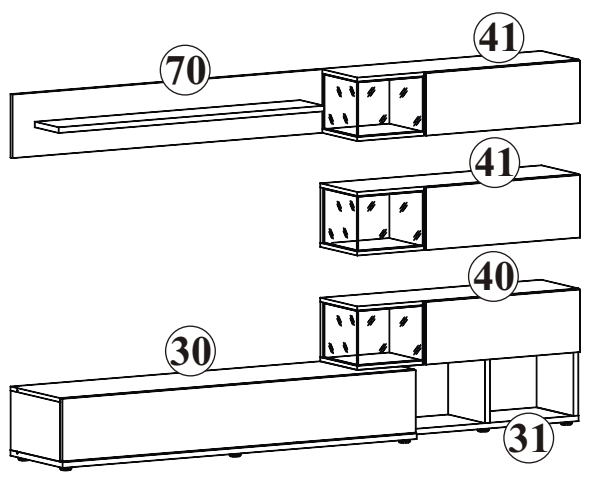
16



17



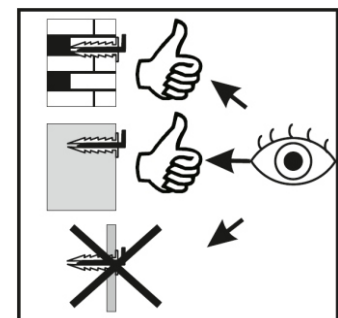
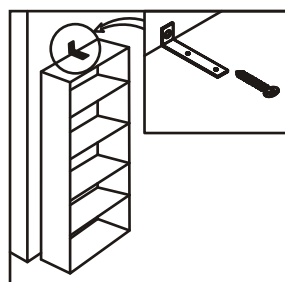
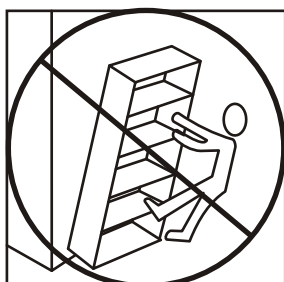
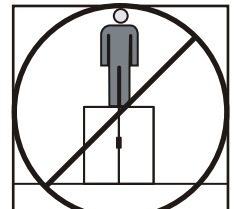
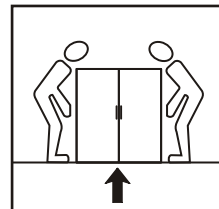
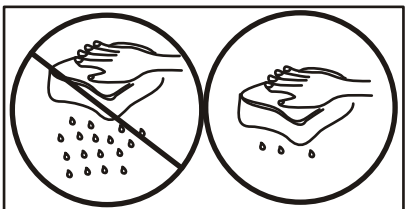
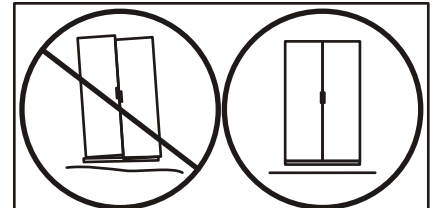
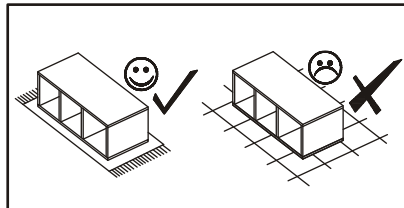
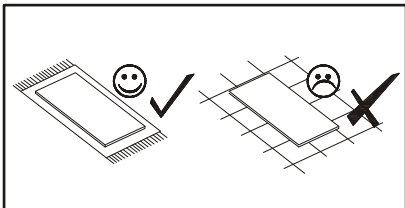
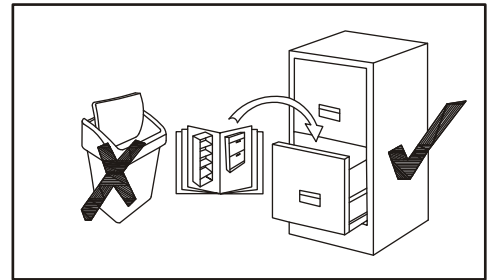
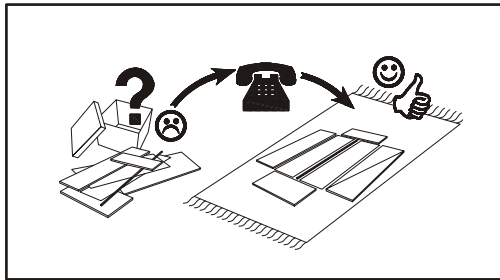
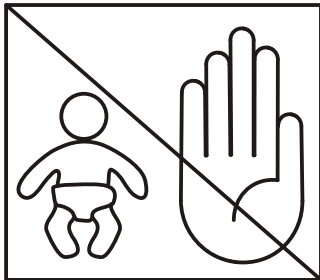
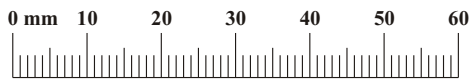
SILK TYP 41



NO	Dim.			Col.-No	Qty
1K	696	246	16	3 / 3.	2
1P	212	318	4	3 / 3.	2
1B	212	255	4	3 / 3.	2
2L	277	218	22	3 / 3.	2
2P	218	284	16	3 / 3.	2
3D	1000	284	16	3 / 3.	2
5L	299	218	22	3 / 3.	2
5P	230	674	3	3 / 3.	2
7	1000	284	16	3 / 3.	2

SILK TYP 41

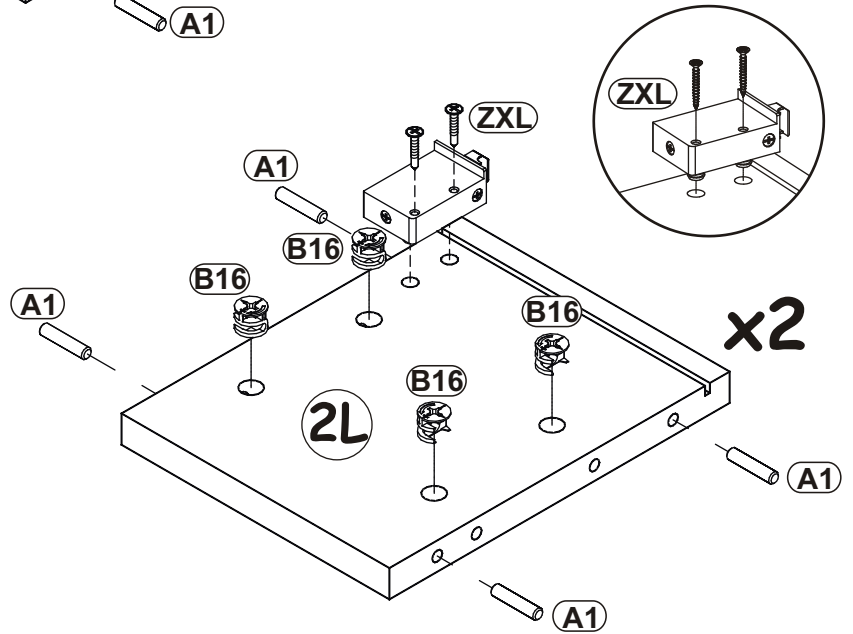
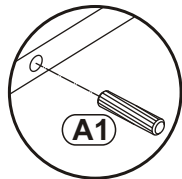
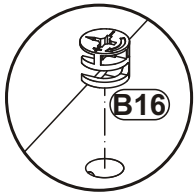
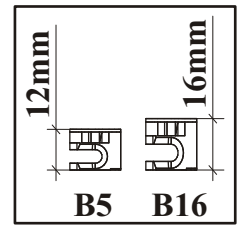
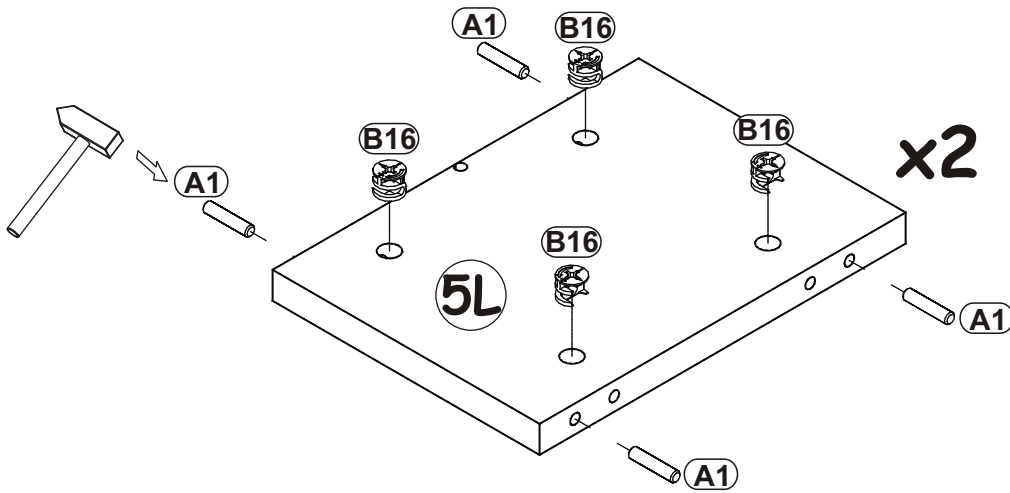
A1 x24 ø8x36	B4 x24	B5 x8 Ø15x12	B16 x16 Ø15x16	G5 x24	OD2 x1
E21 x4 Ø35 H=0	E2 x4 H=0	D10 x18 USØ3,5x13	G21 x2	D7 x6 USØ3x16	S1 x12
ZXL x2	ZXP x2	G20 x2	G32 x8	P2 x6	UP13 x6 UPØ3x16
KR2 x4	G2 x1				



SILK TYP 41

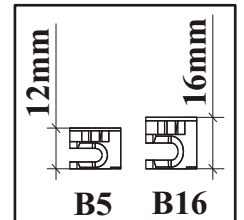
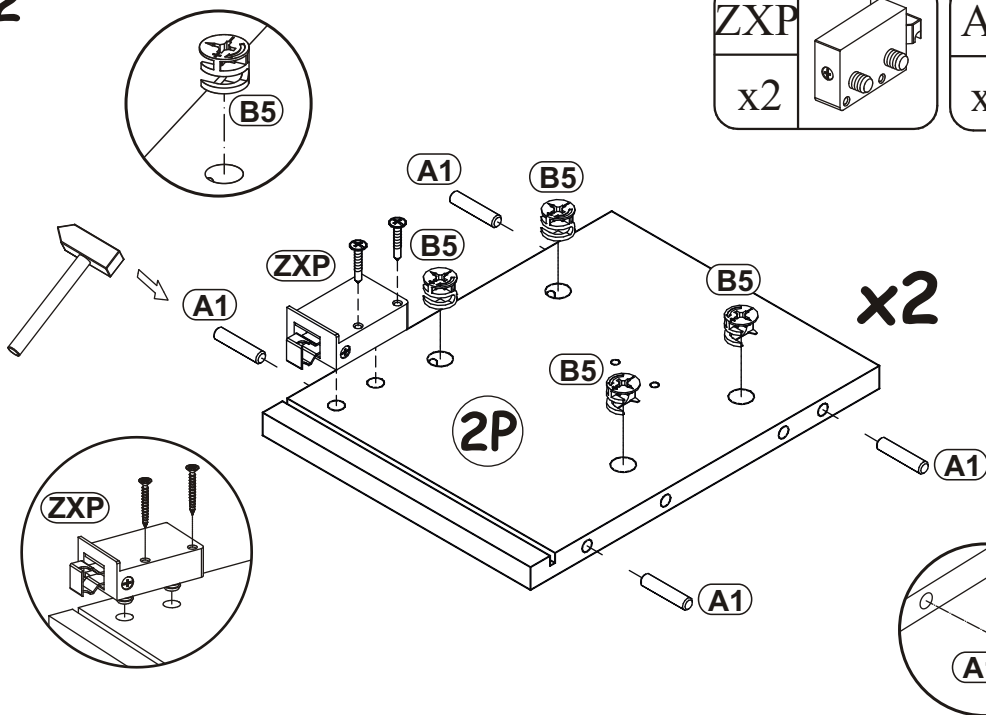
1

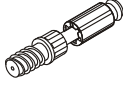
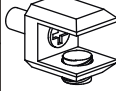
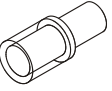
ZXL		A1		B16	
x2		x16	ø8x36	x16	Ø15x16



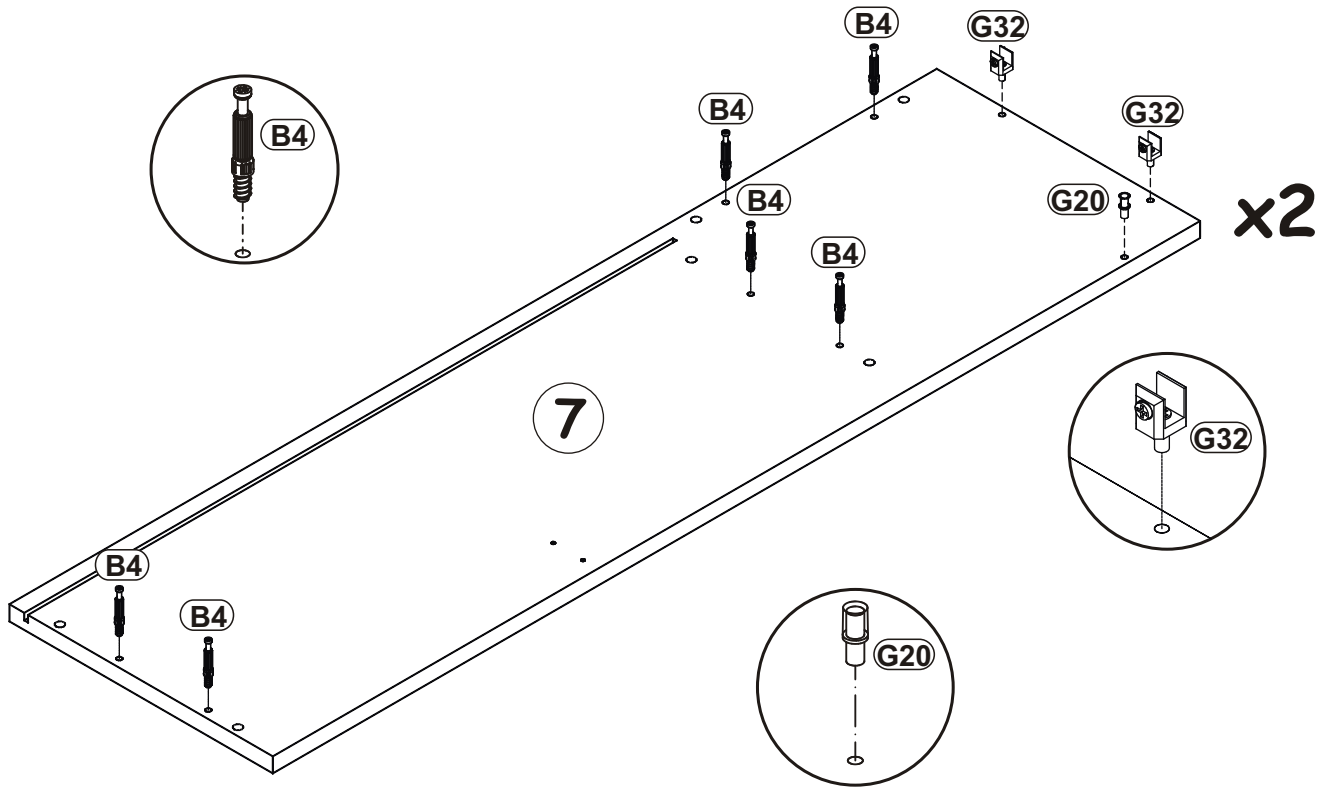
2

ZXP		A1		B5	
x2		x8	ø8x36	x8	Ø15x12

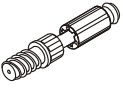
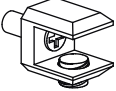
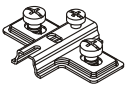


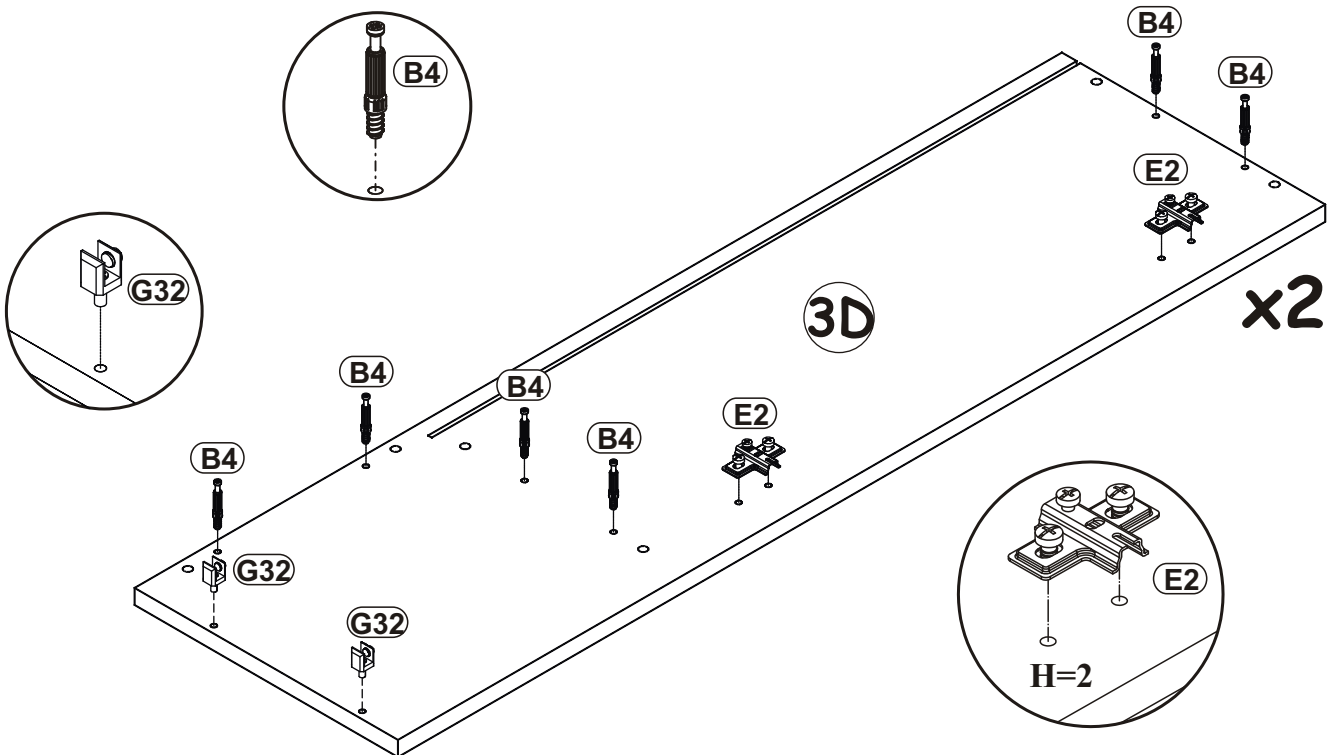
B4		G32		G20	
x12		x4		x2	

3

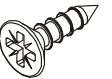


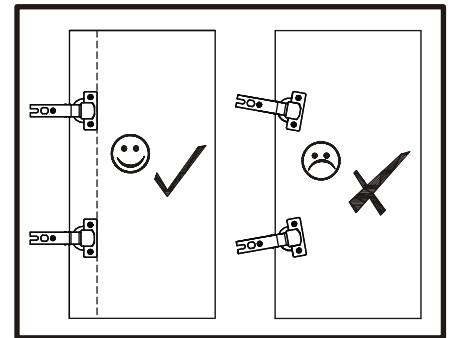
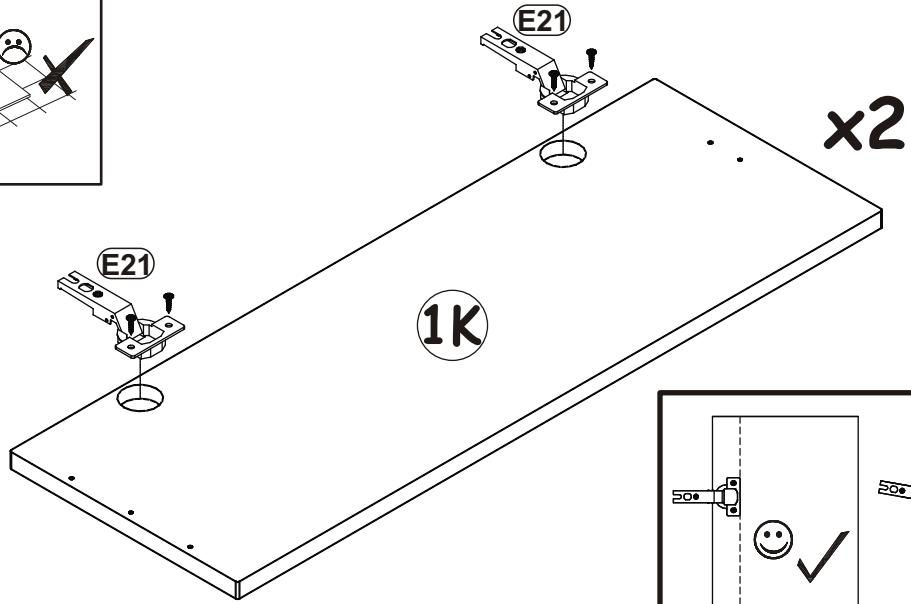
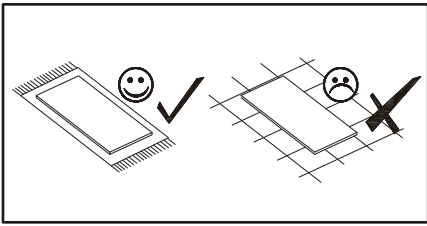
4

B4		G32		E2	
x12		x4		x4	H=0




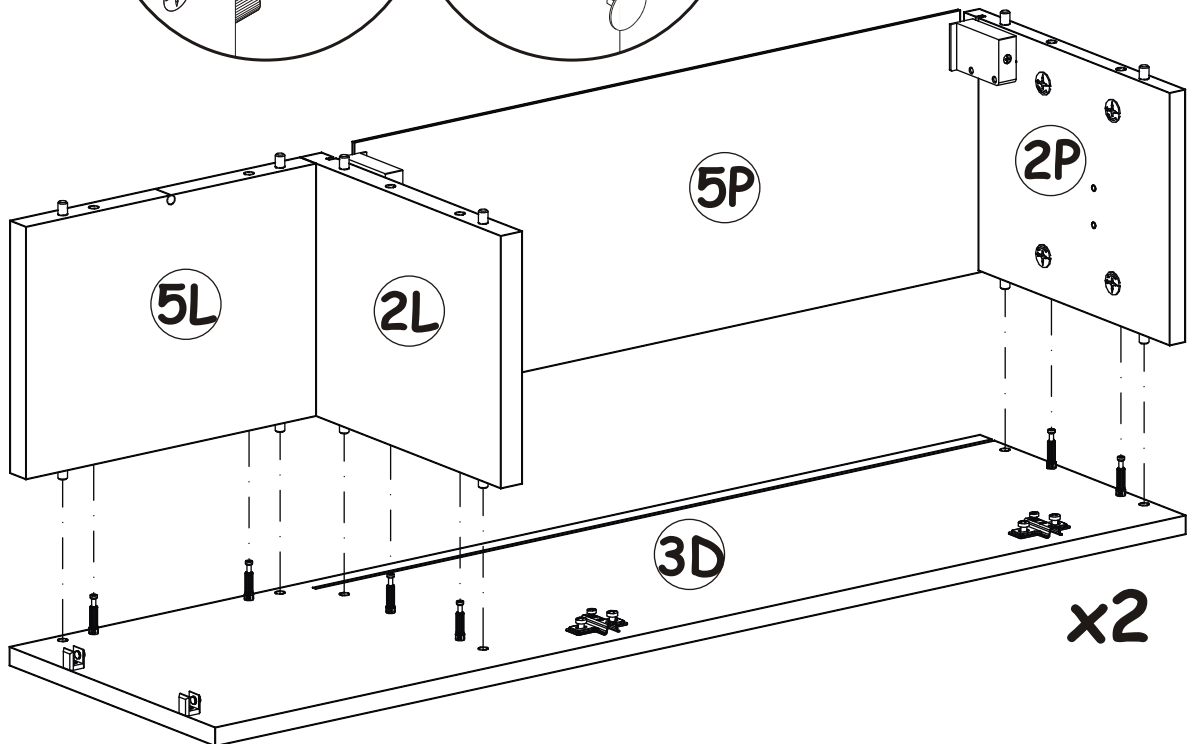
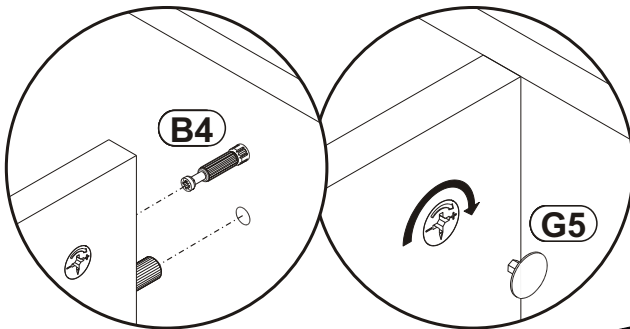
5

E21	Ø35	D10	 USØ3,5x13
x4	H=0	x8	

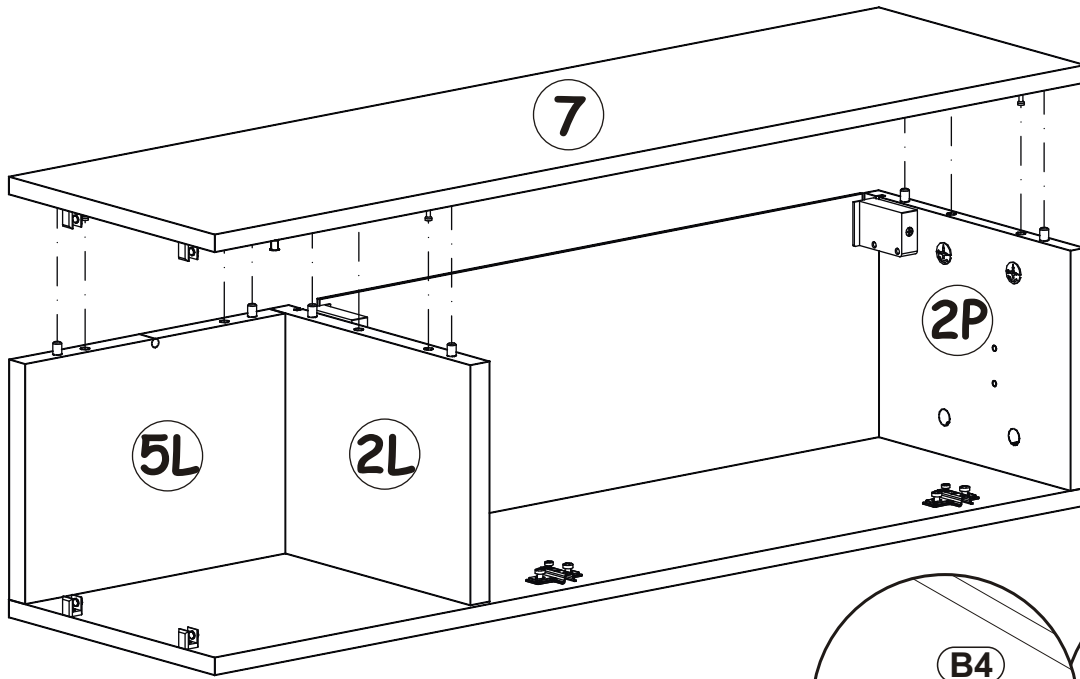


6

G5	
x12	



7

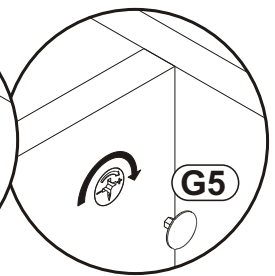
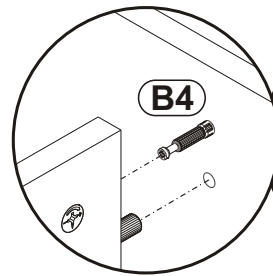


G5

x12



x2



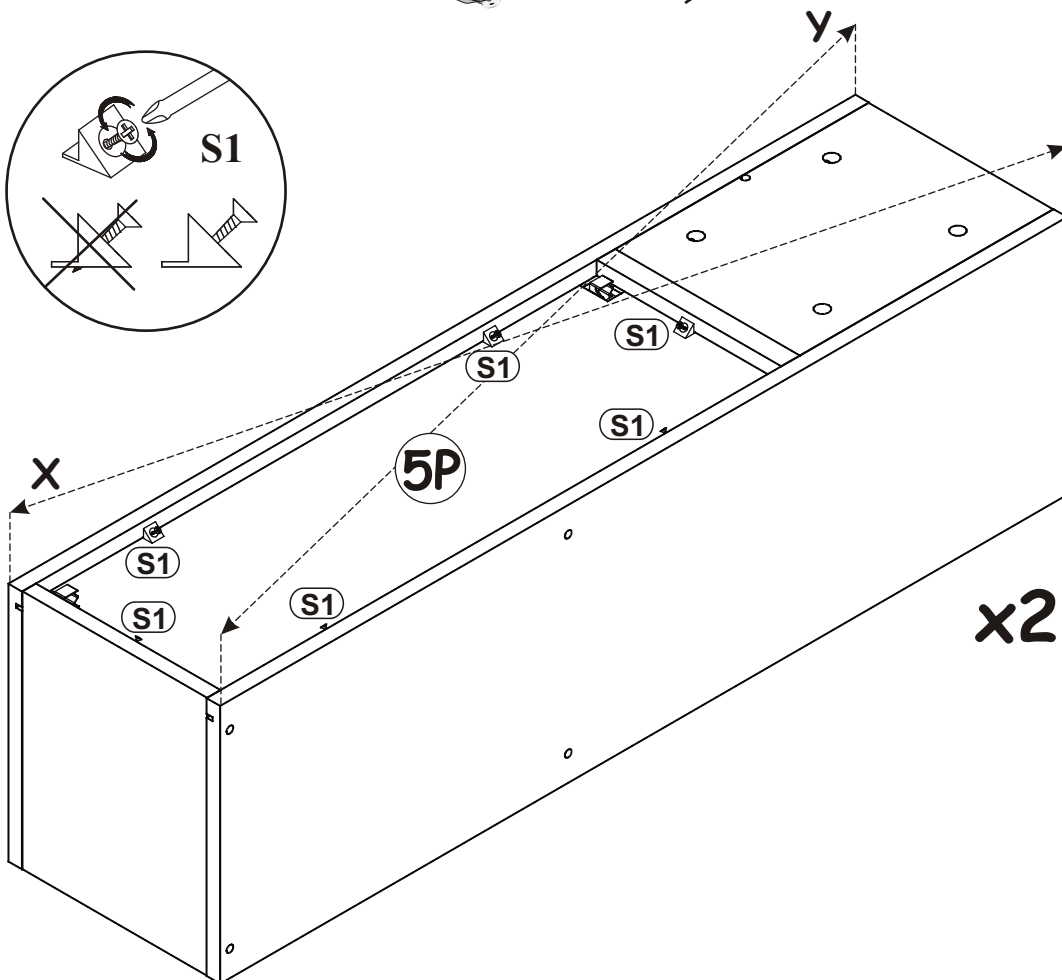
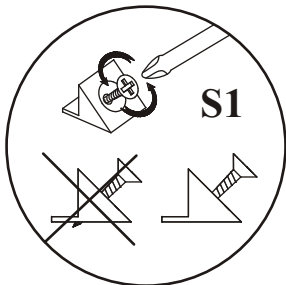
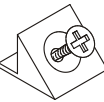
8



$X=Y$ $\uparrow 90^\circ$

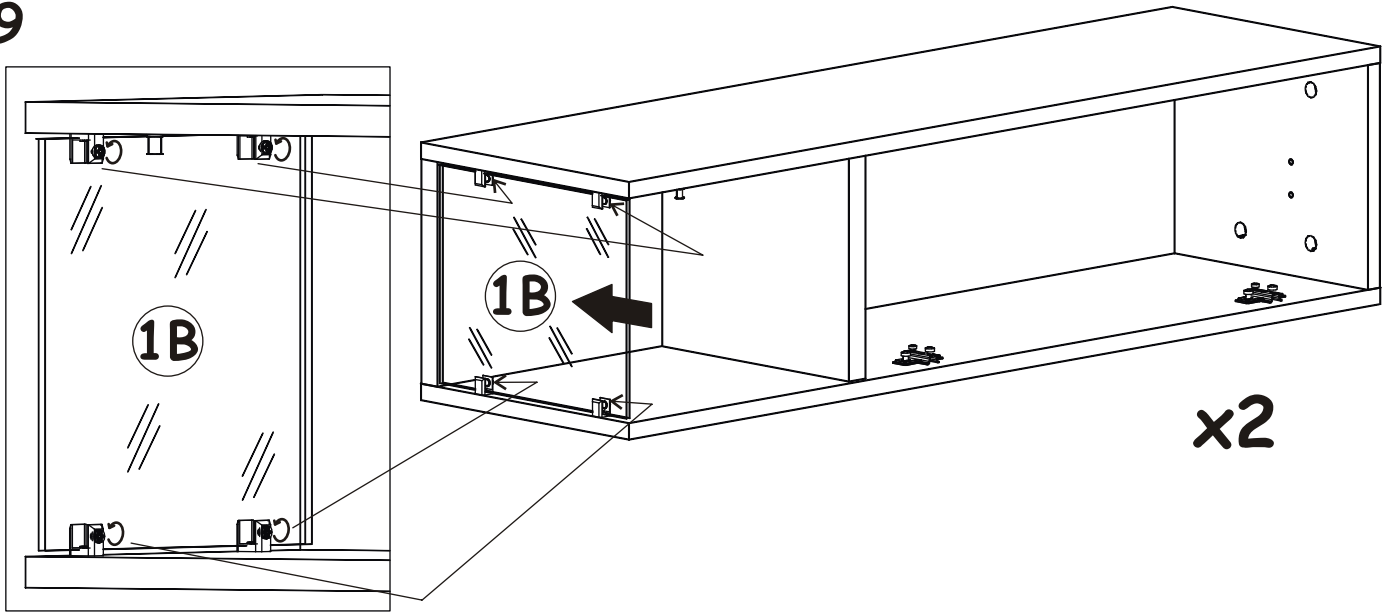
S1

x12

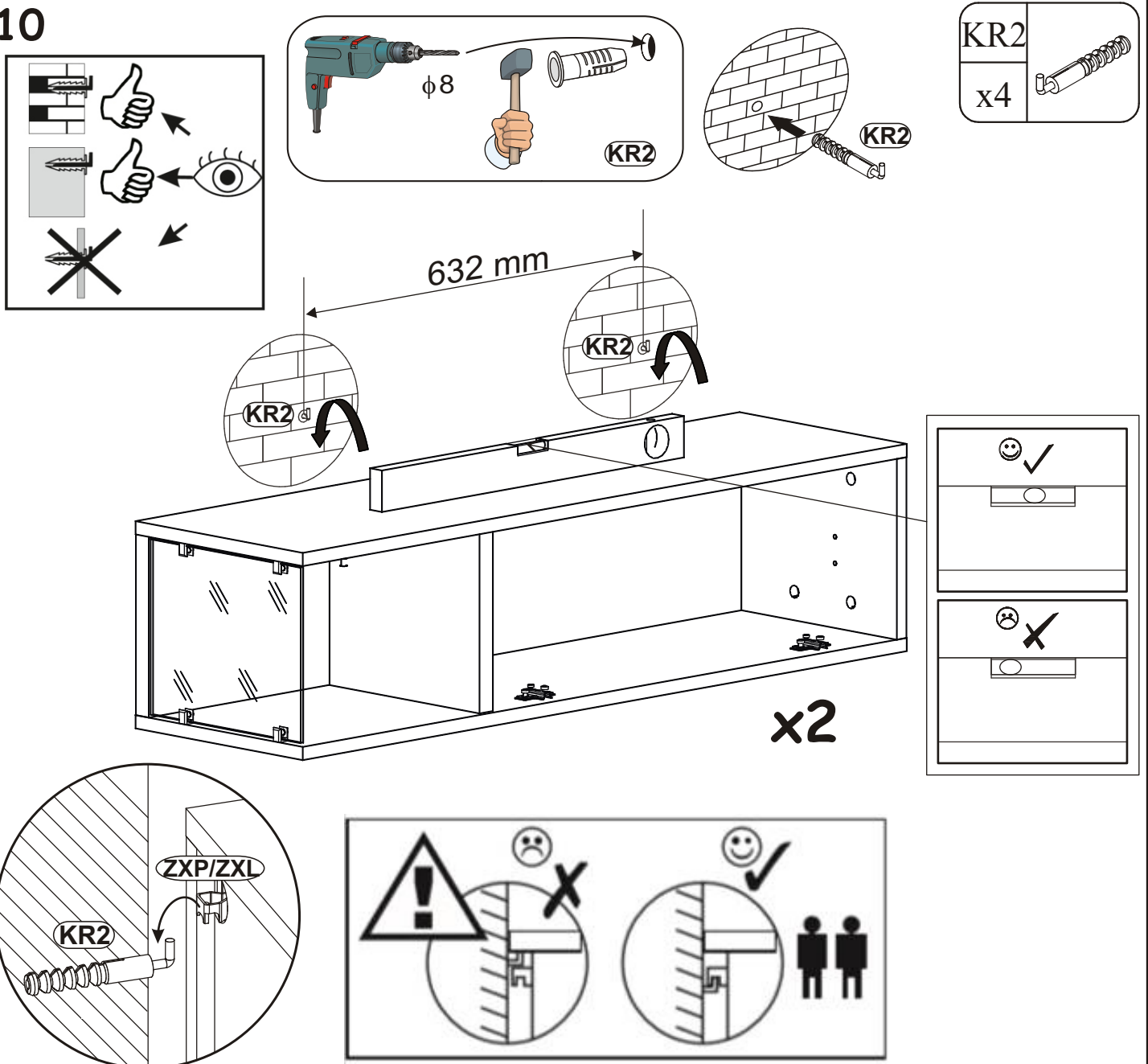


x2




9

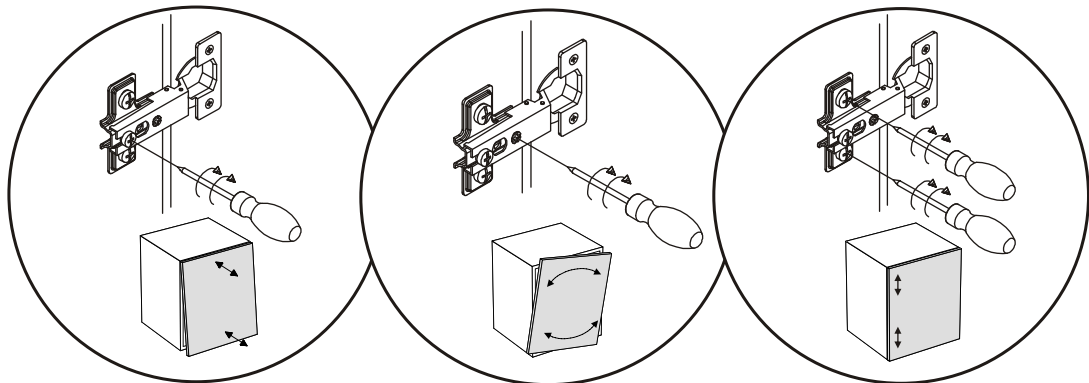
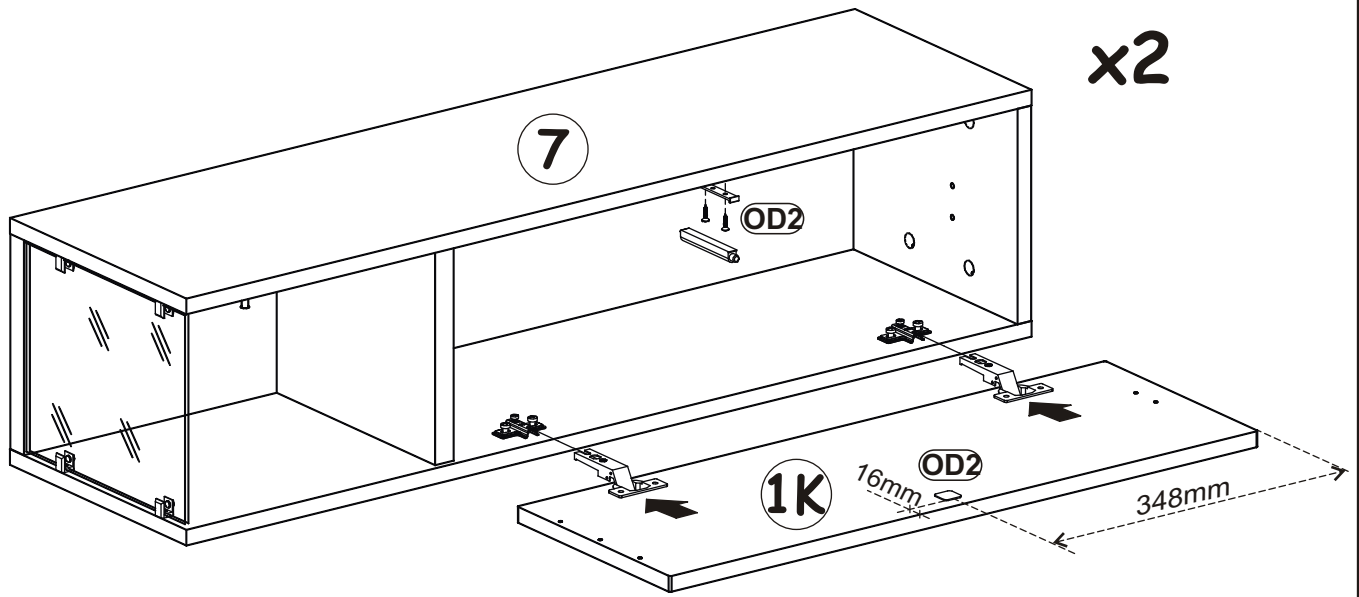
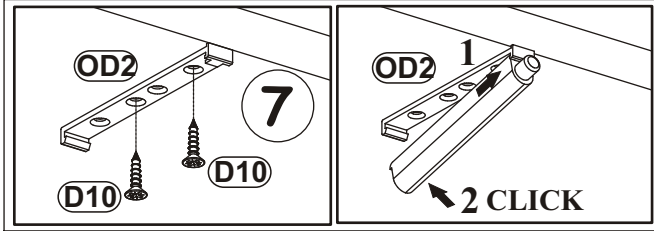



10

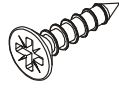


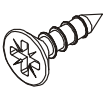
11

OD2		D10	
x2		x4	US03,5x13

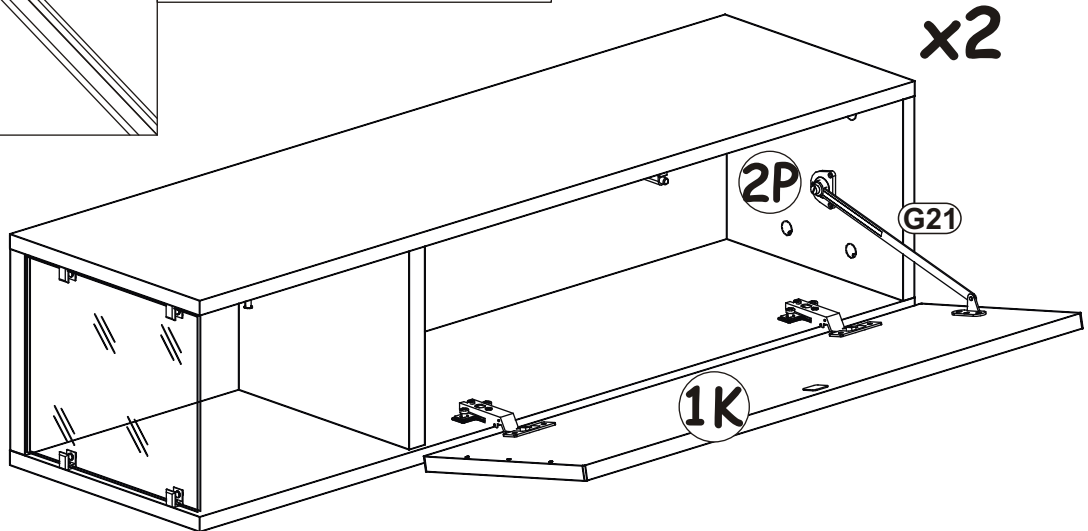
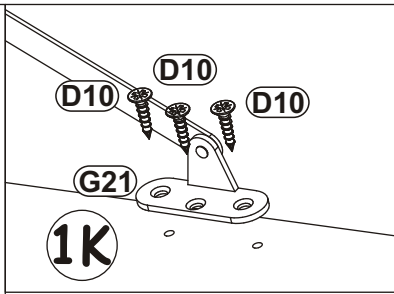
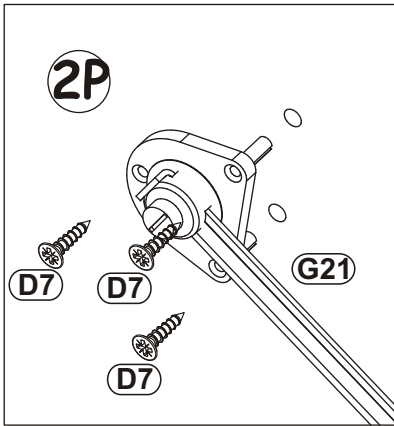


G21	
x2	


D7	
x6	USØ3x16


D10	
x6	USØ3,5x13

12



13

P2	
x6	

UP13	
x6	UPØ3x16

