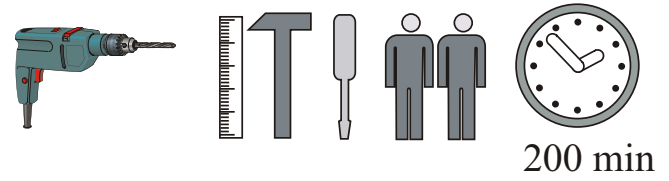
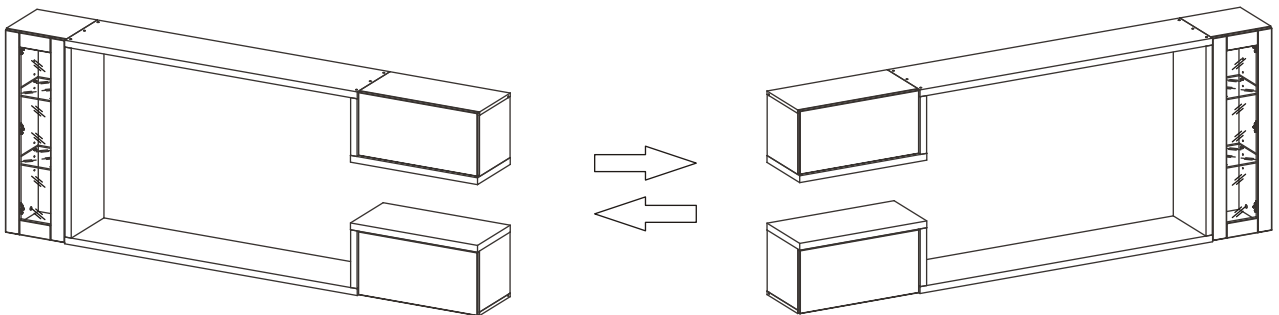
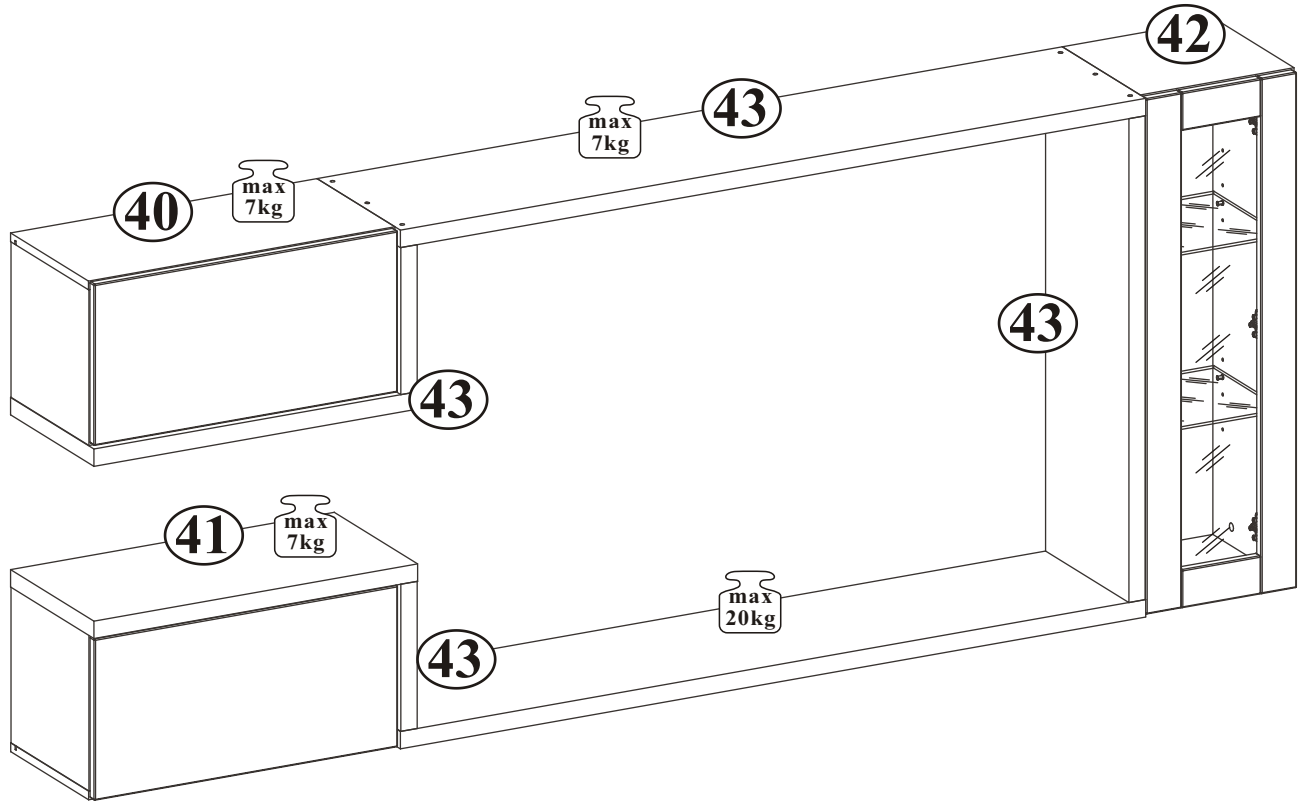
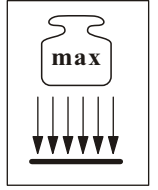
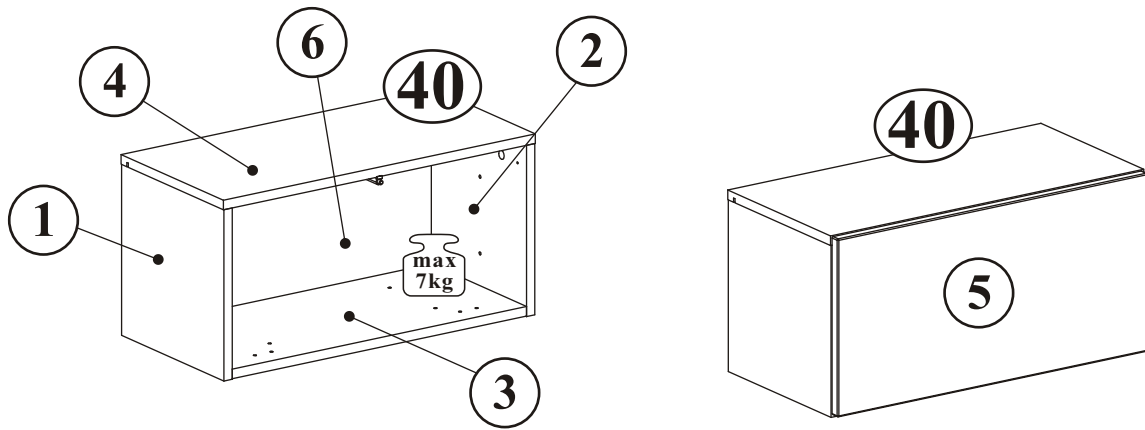


# GALAXY 29\_WGX

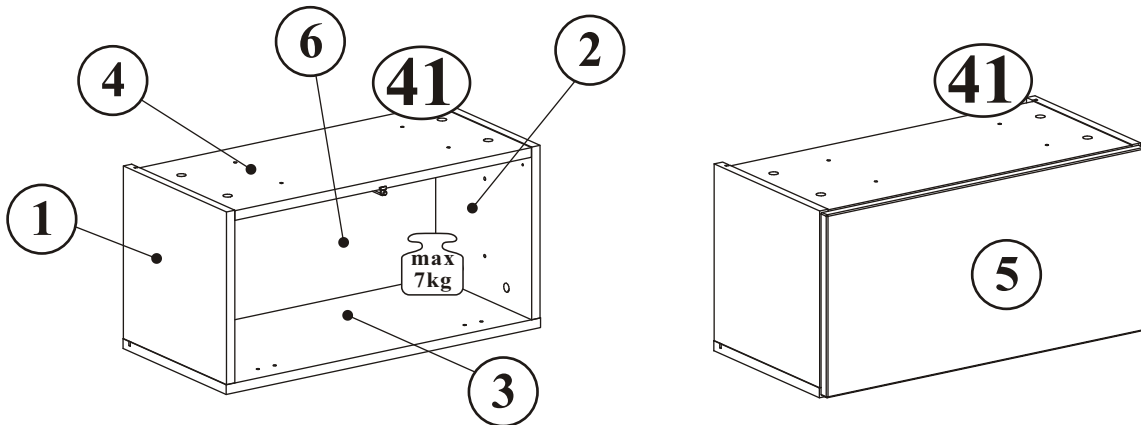
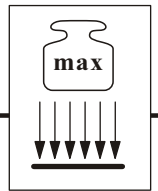


# GALAXY 29\_WGX



## 1 - 6

NO	Dim.			Col-No	Qty
1	286	286	16	1	1
2	286	286	16	1	1
3	568	266	16	1	1
4	602	286	16	1	1
5	596	296	16	1	1
6	580	288	3	1	1



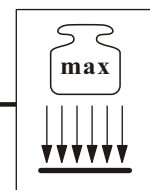
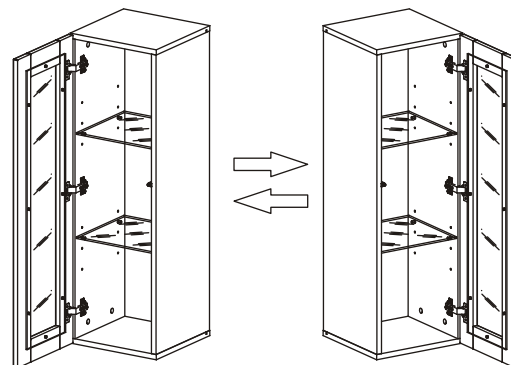
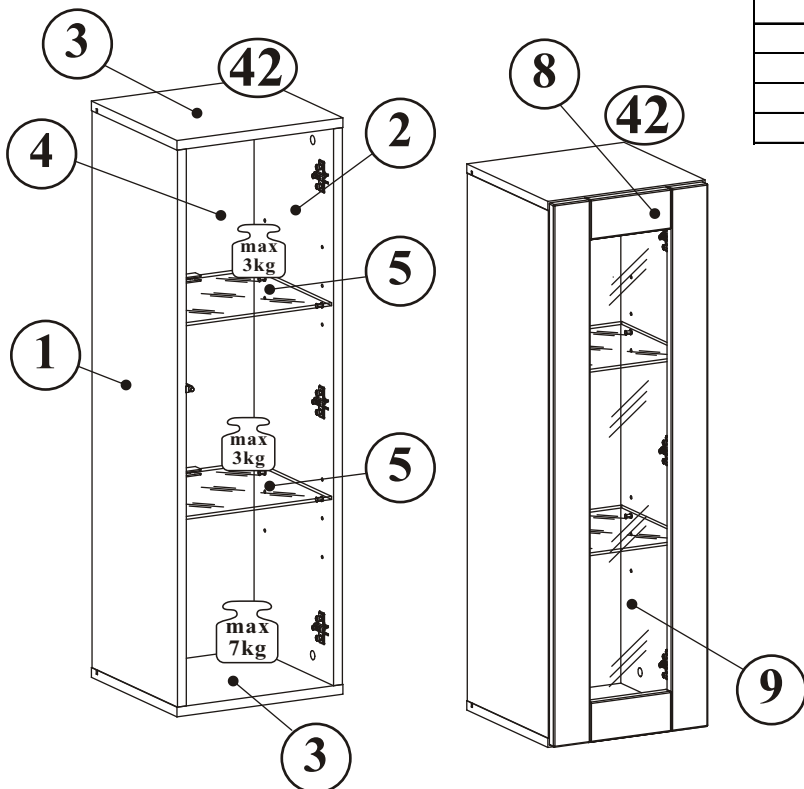
## 7 - 11

NO	Dim.			Col-No	Qty
1	286	286	16	1	1
2	286	286	16	1	1
3	602	286	16	1	1
4	568	266	16	1	1
5	596	296	16	1	1
6	580	288	3	1	1

# GALAXY 29\_WGX

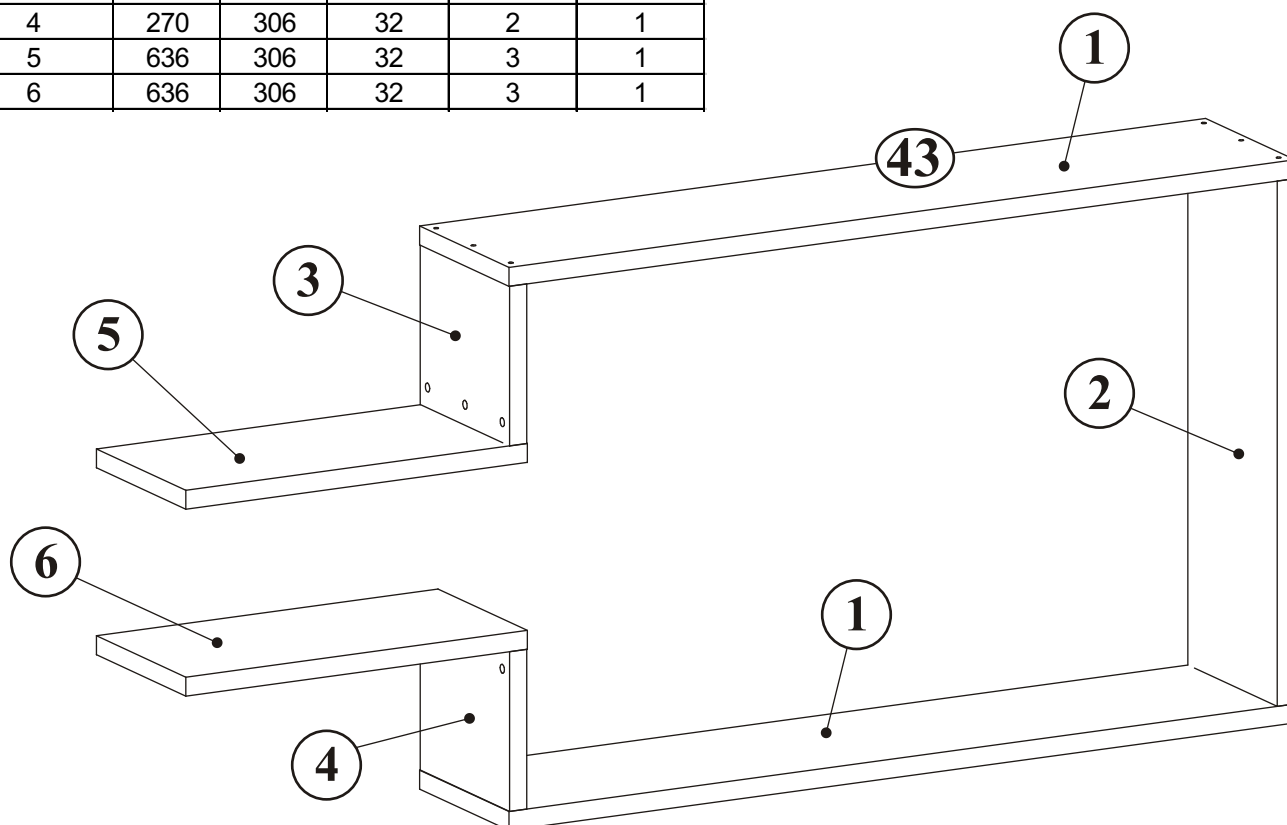
## 12 - 17

NO	Dim.			Col-No	Qty
1	920	286	16	2	1
2	920	286	16	2	1
3	302	286	16	2	2
4	932	280	3	2	1
5	267	256	5	2	2
8	946	296	16	2	1
9	856	206	4	2	1

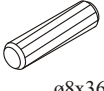
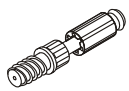


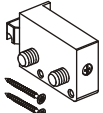
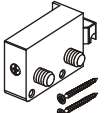
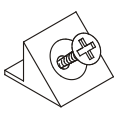
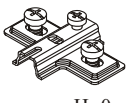
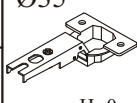
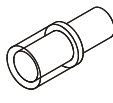
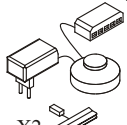


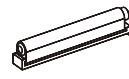


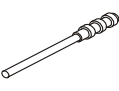

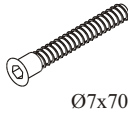


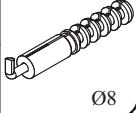

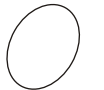
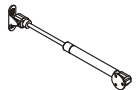


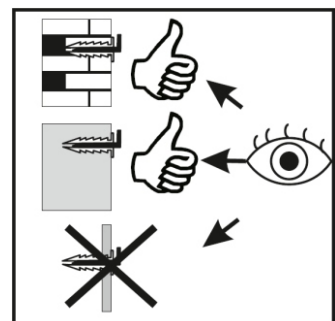
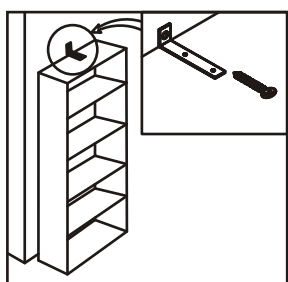
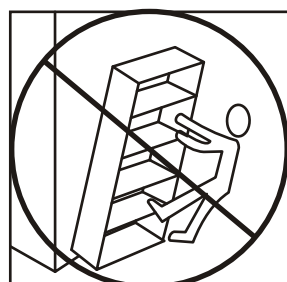
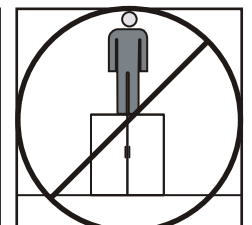
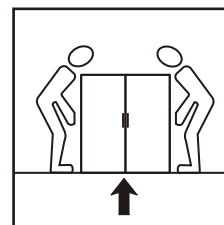
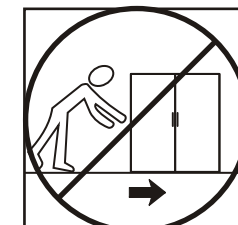
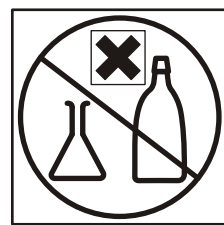
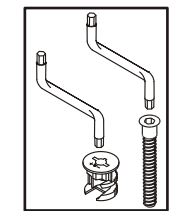
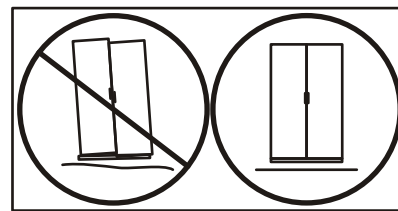
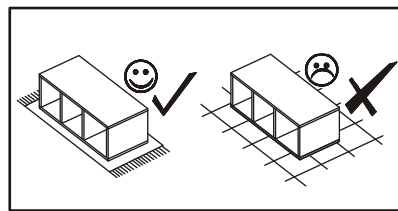
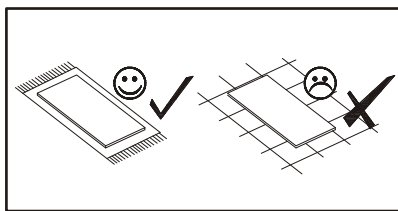
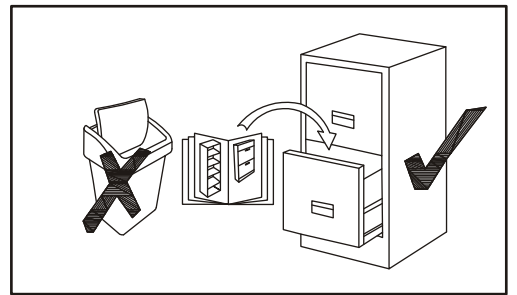
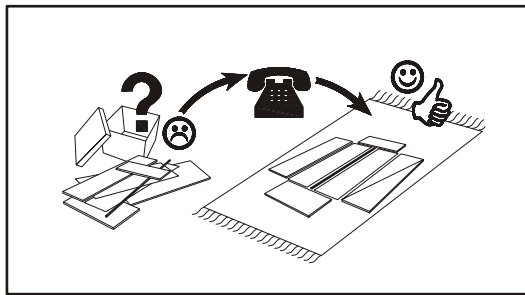
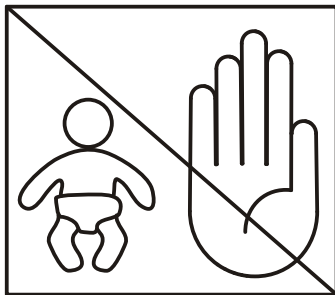
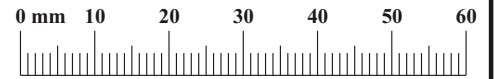
NO	Dim.			Col-No	Qty
1	1464	306	32	3	2
2	888	306	32	2	1
3	270	306	32	3	1
4	270	306	32	2	1
5	636	306	32	3	1
6	636	306	32	3	1

## 18 - 20

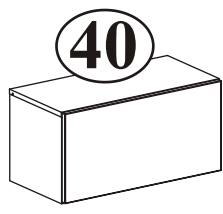


# GALAXY 29 \_ WGX

A1 x24  ø8x36	B4 x30 	B5 x24  ø15x12	G5 x16 	ZXL x3 	ZXP x3 
S1 x16 	E2 x6  H=0	E21 x6  Ø35 H=0	G20 x8 	LED x1  x2	UP13 x18  UPØ3x16
Z2 x12  ø5	T1 x3 	P2 x8 	B16 x6  ø15x16	PP1 x4 	G2 x1 
B13 x12  ø7x70	G4 x12 	D10 x28  USØ3,5x13	KR2 x6  ø8	D23 x16  USØ3,5x35	G12 x16  ø14
BP1 x2 					

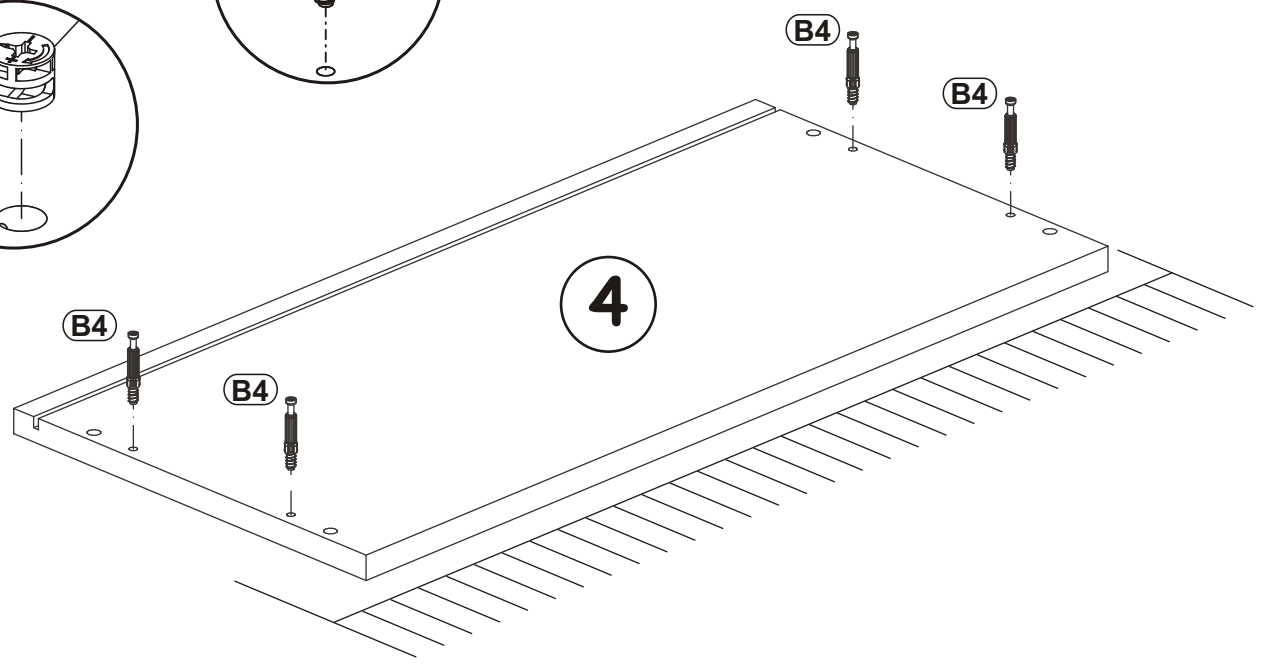
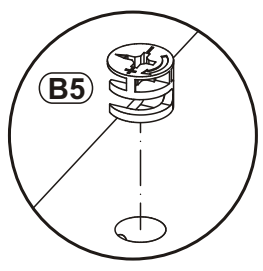
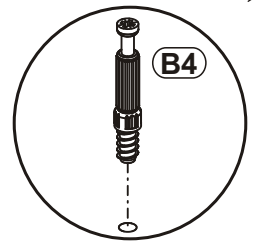
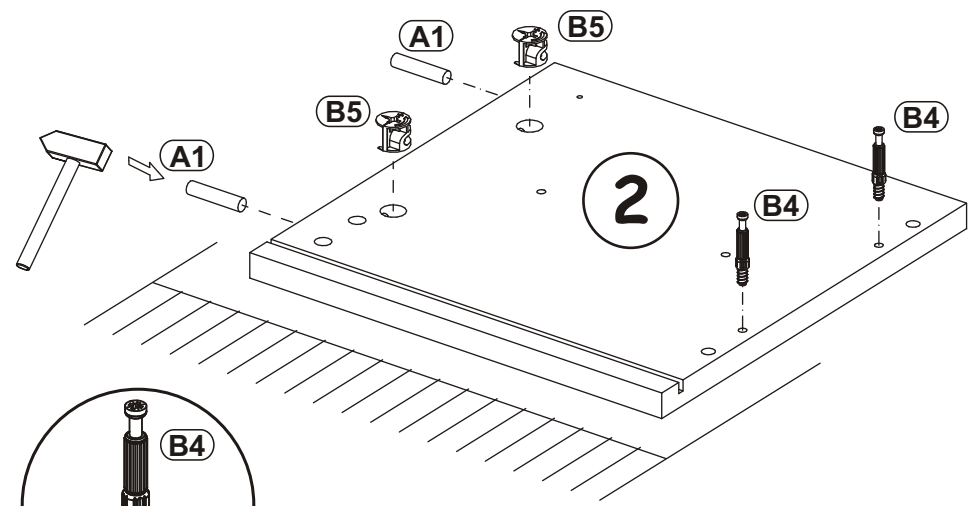
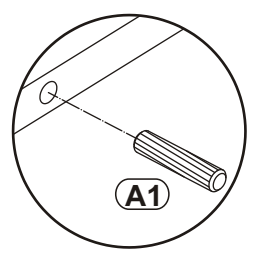
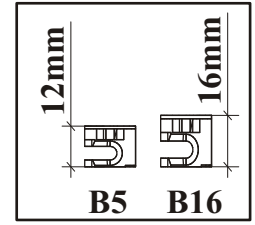
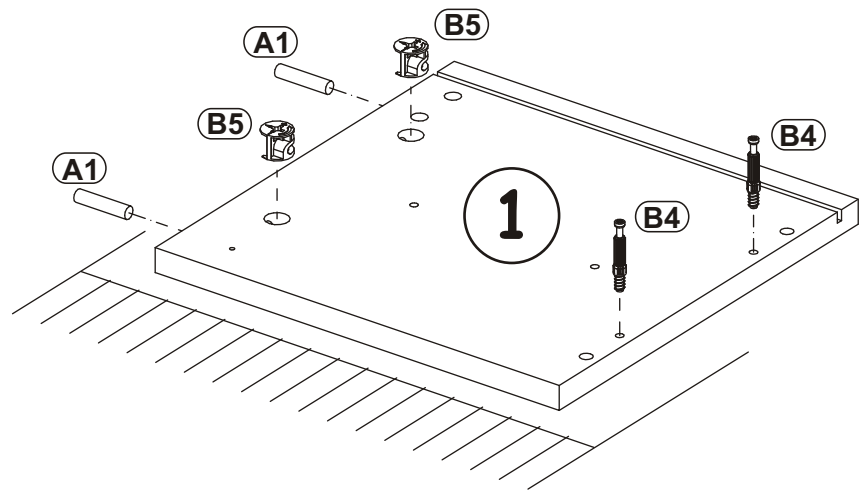


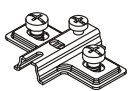

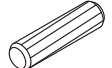
1

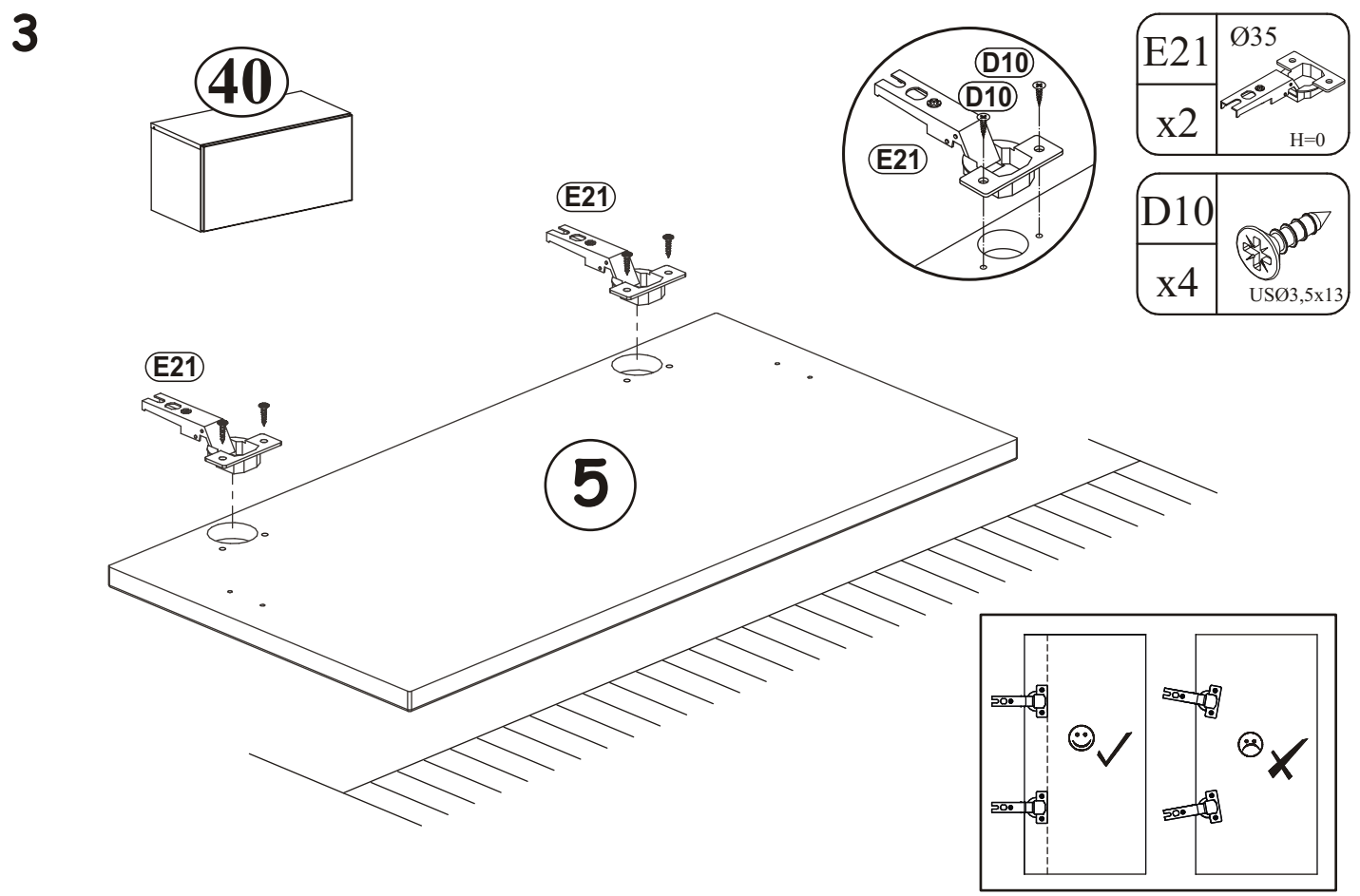
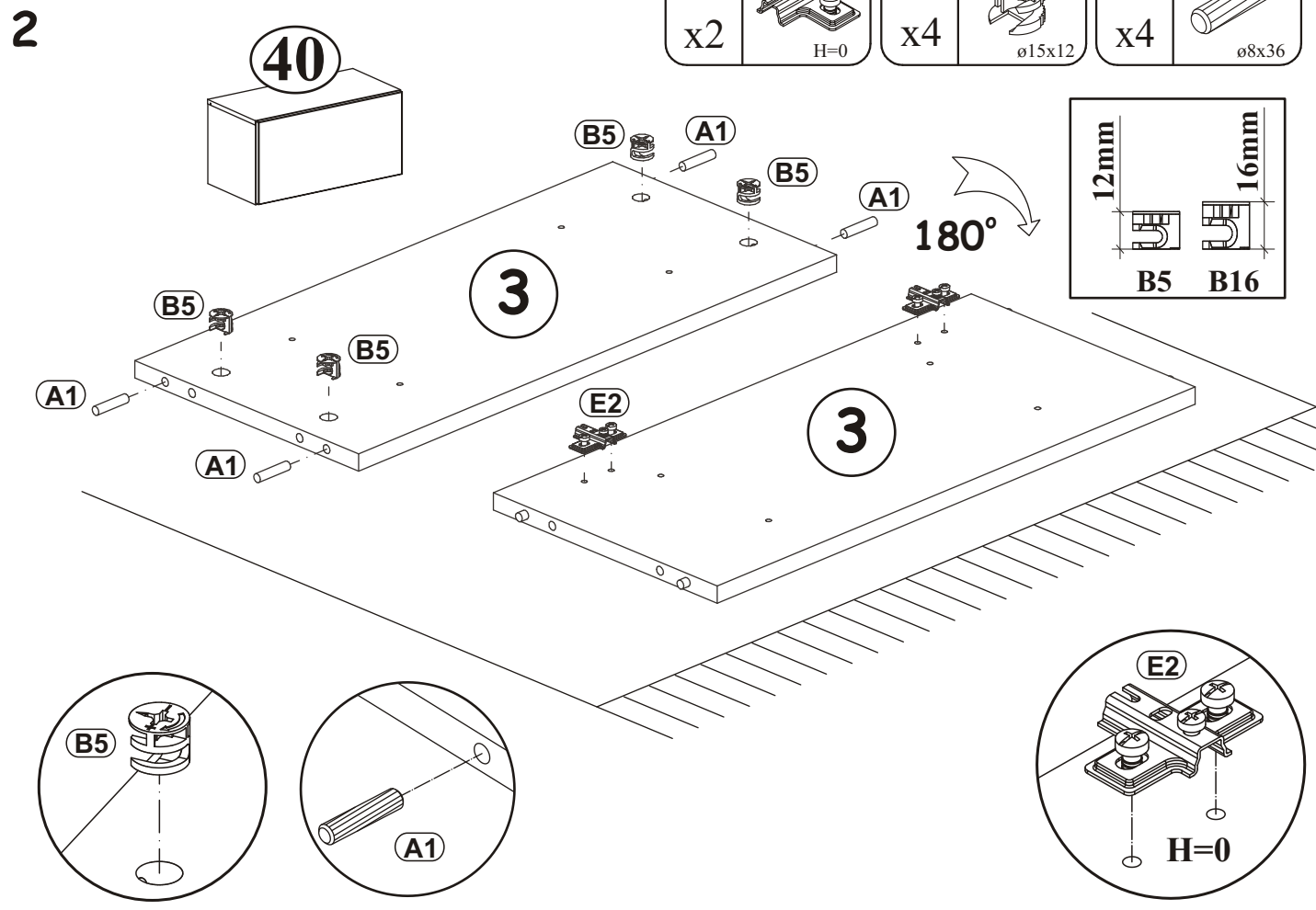


B5		A1	
x4	ø15x12	x4	ø8x36

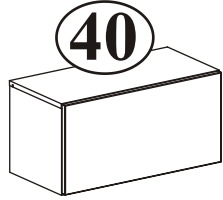
B4	
x8	



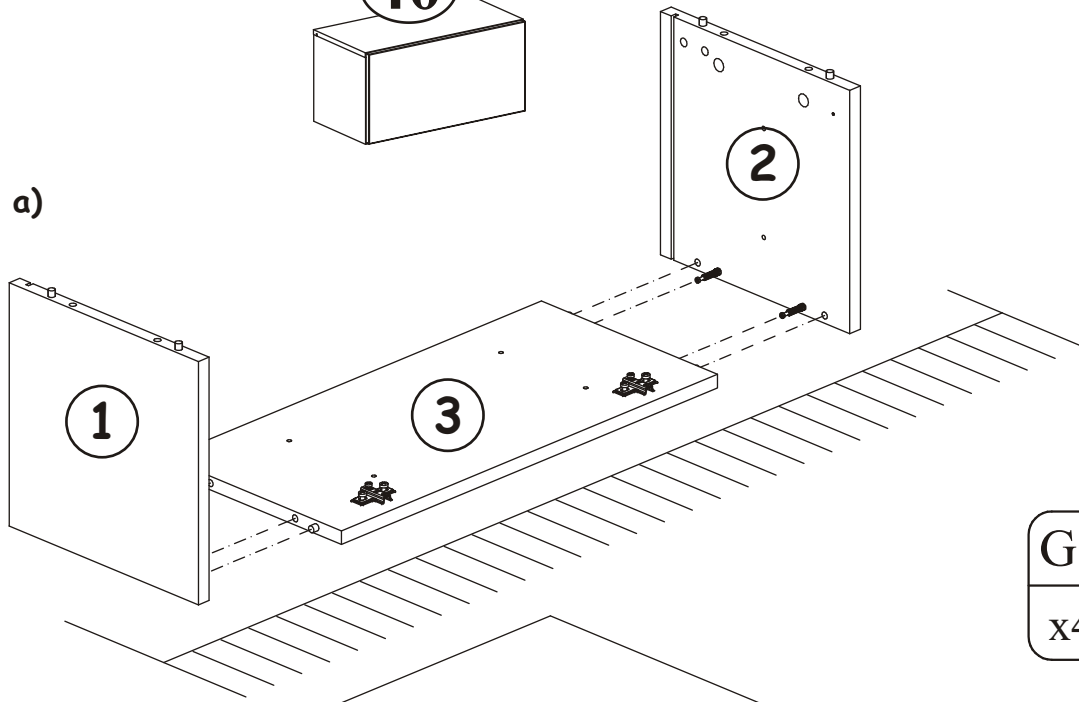
E2		B5		A1	
x2	H=0	x4	ø15x12	x4	ø8x36



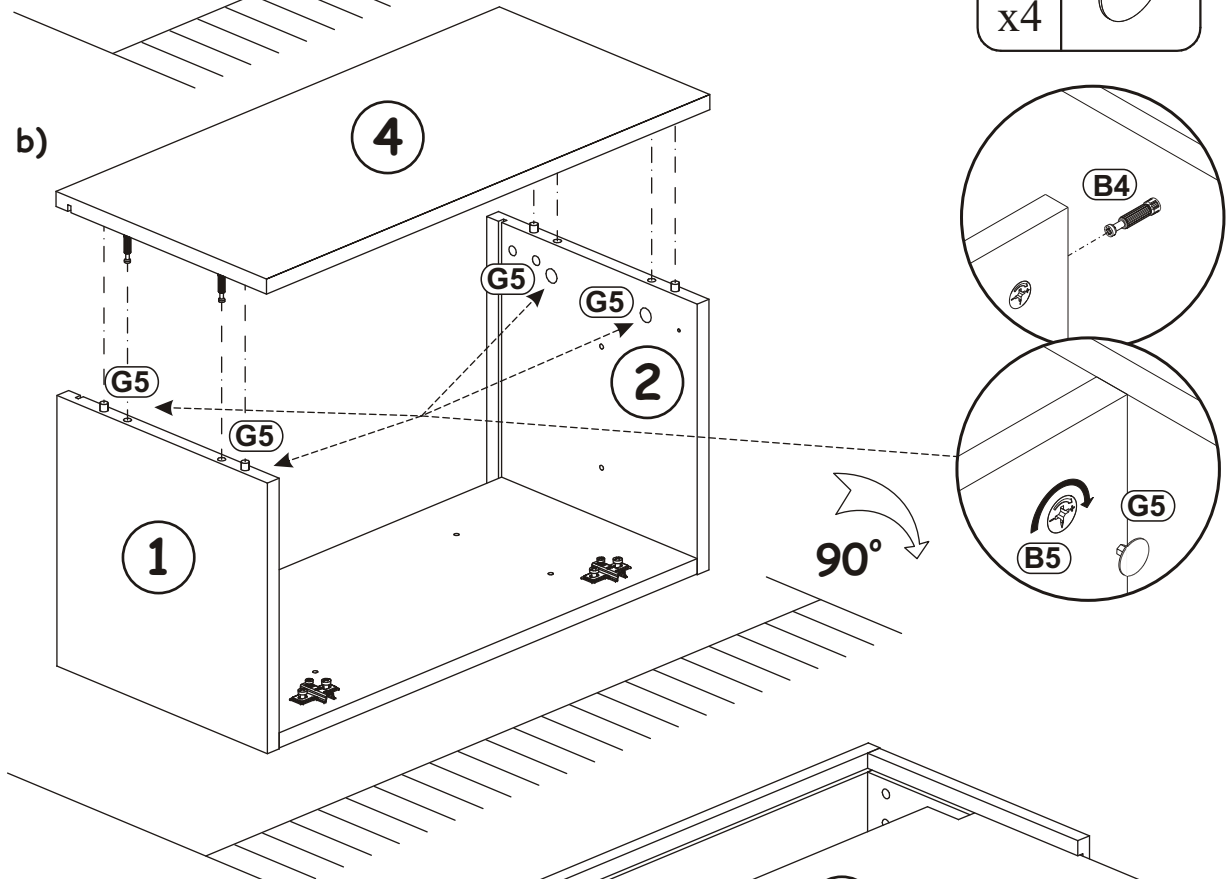
4



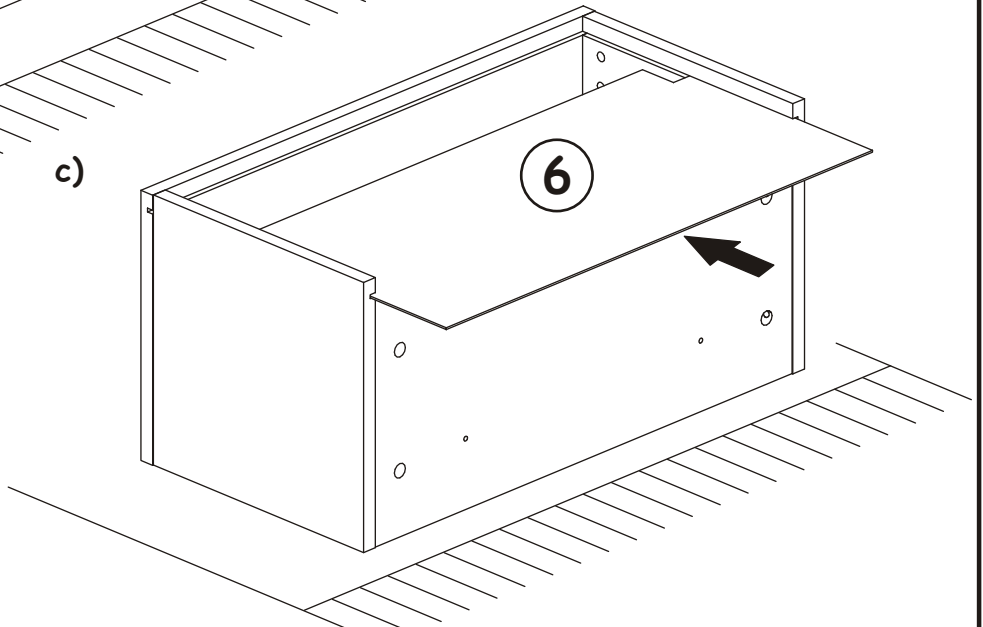
a)



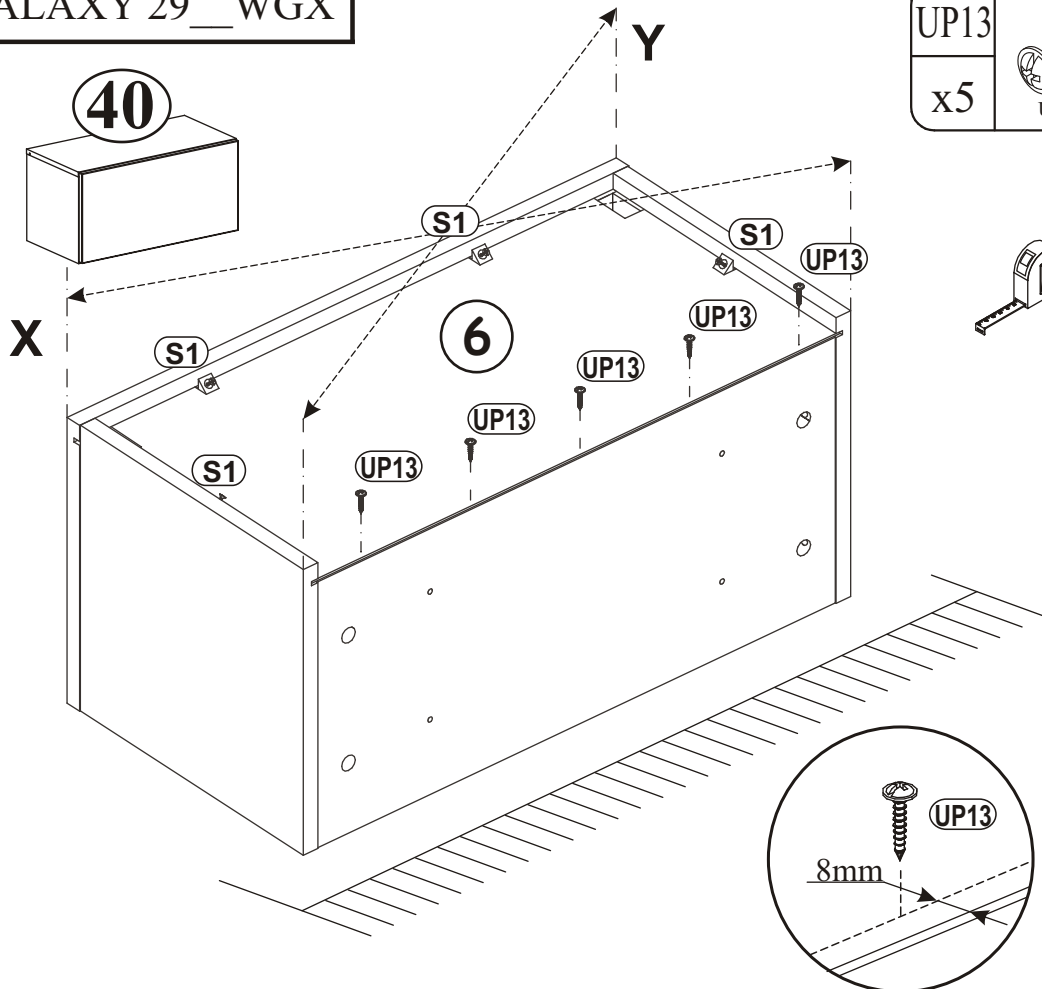
b)



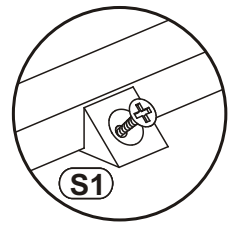
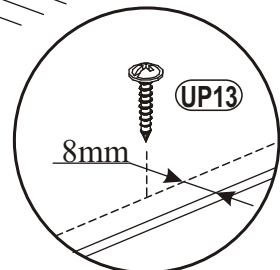
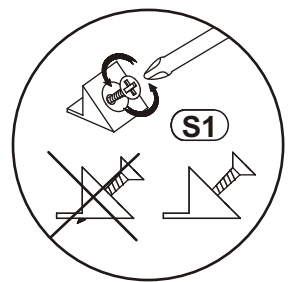
c)



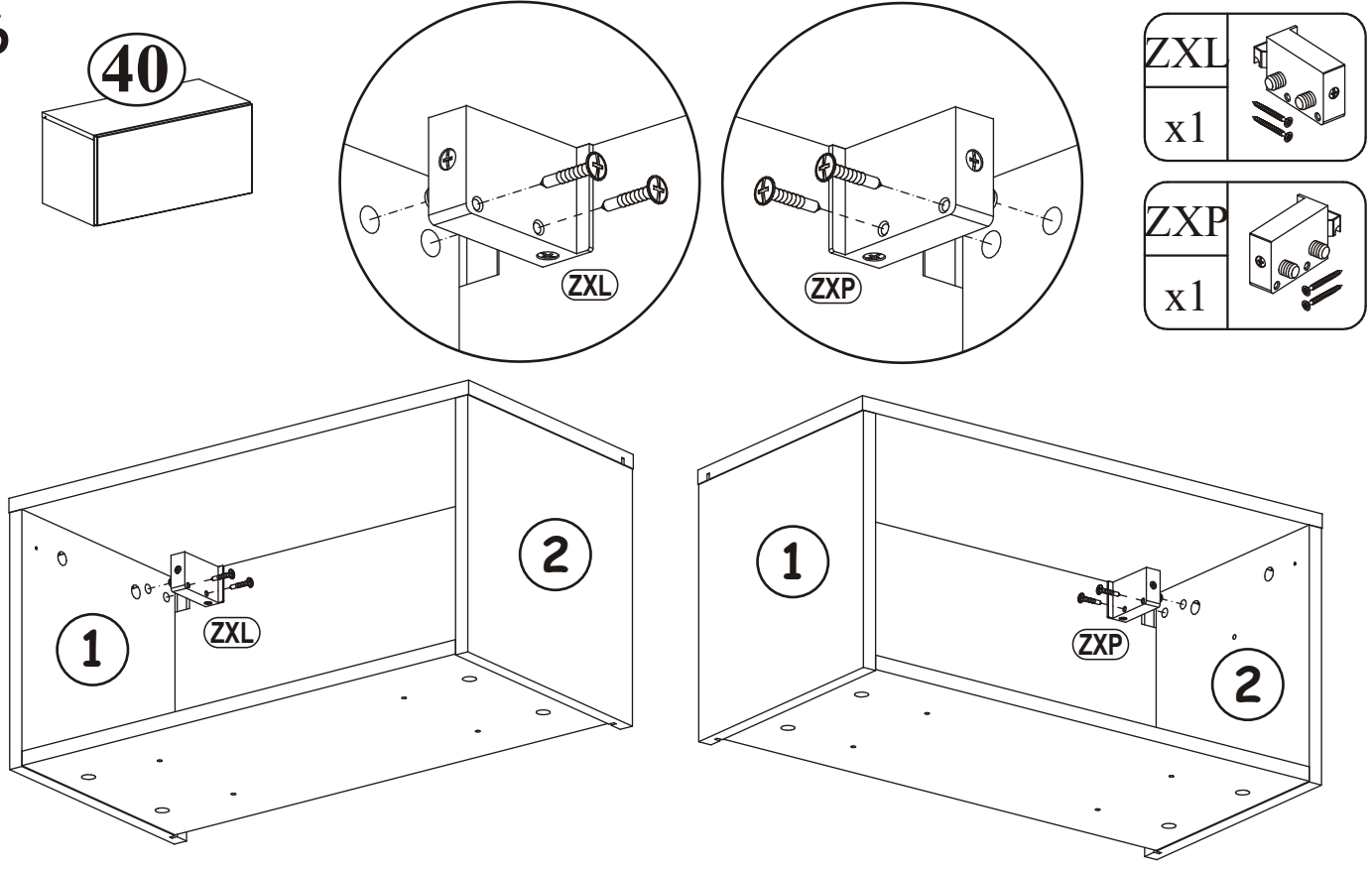
5



UP13		S1	
x5	UP03x16	x4	

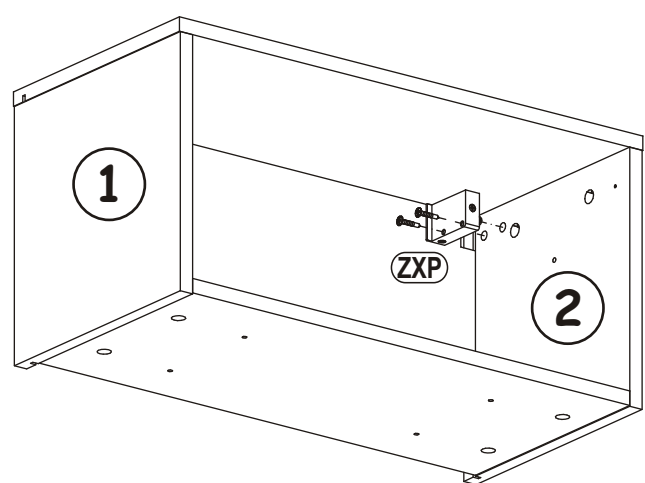
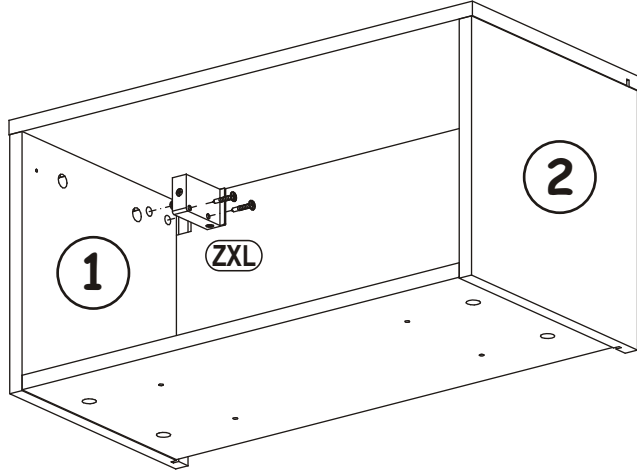
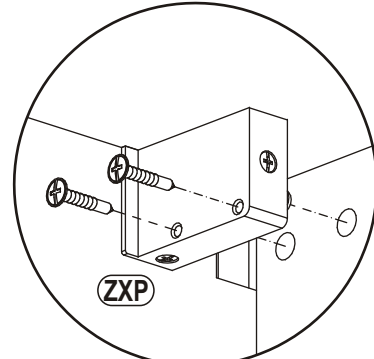
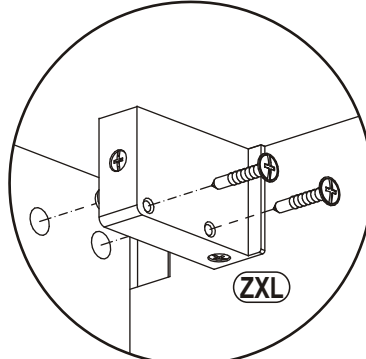


6



ZXL	
x1	

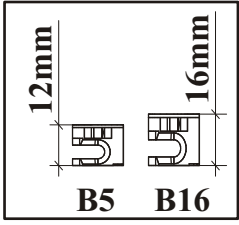
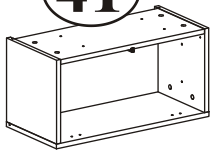
ZXP	
x1	





7

41



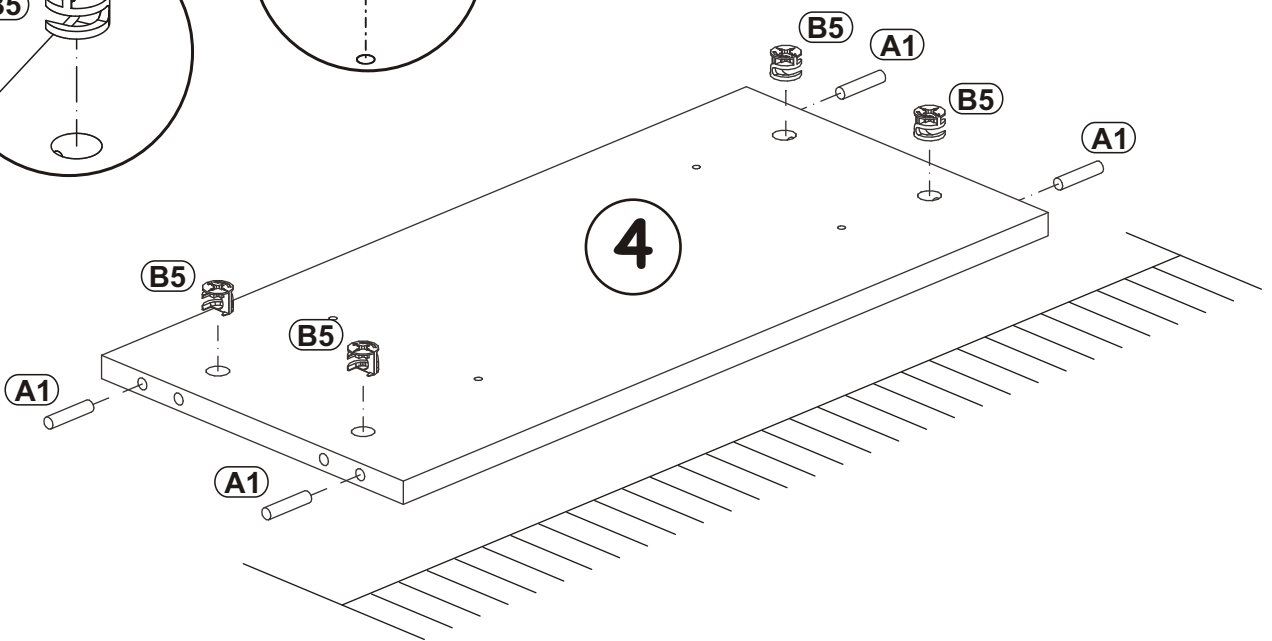
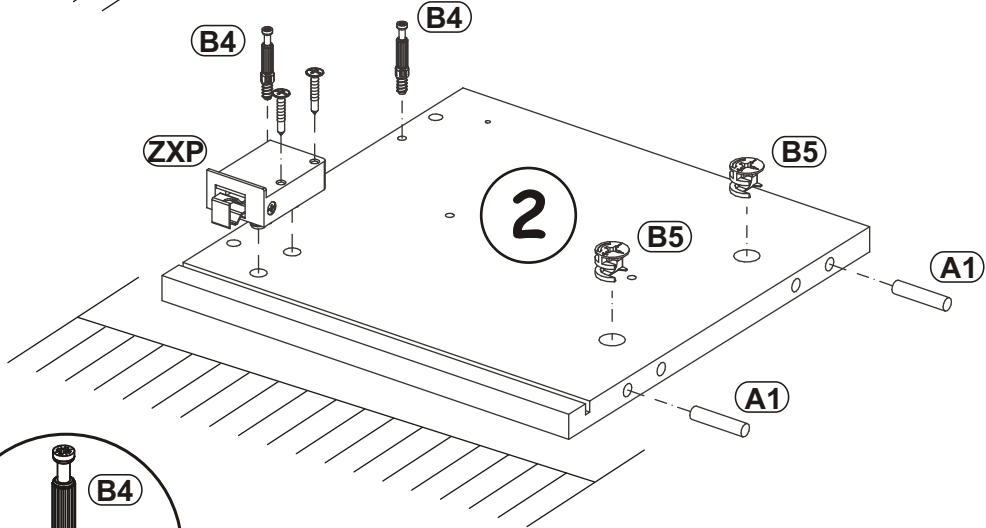
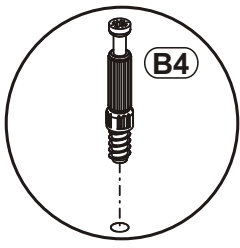
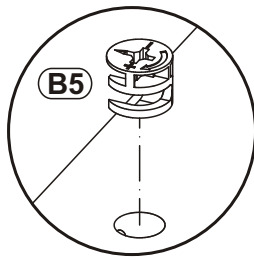
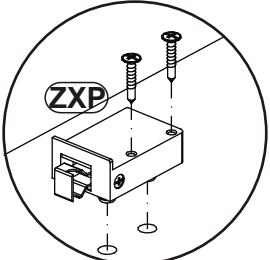
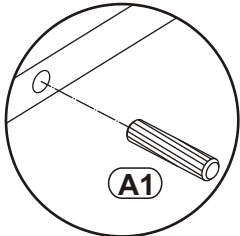
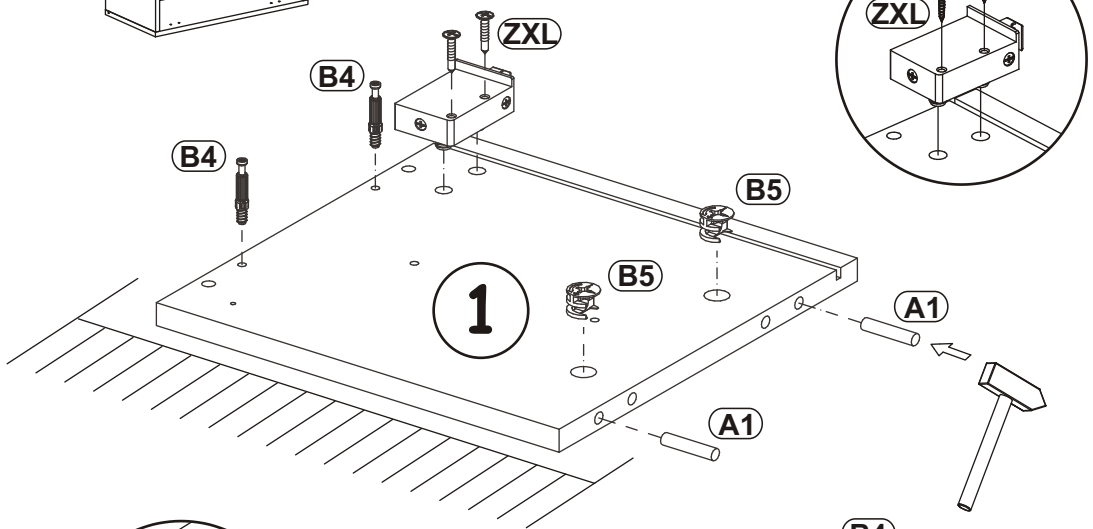
B5	
x8	ø15x12

A1	
x8	ø8x36

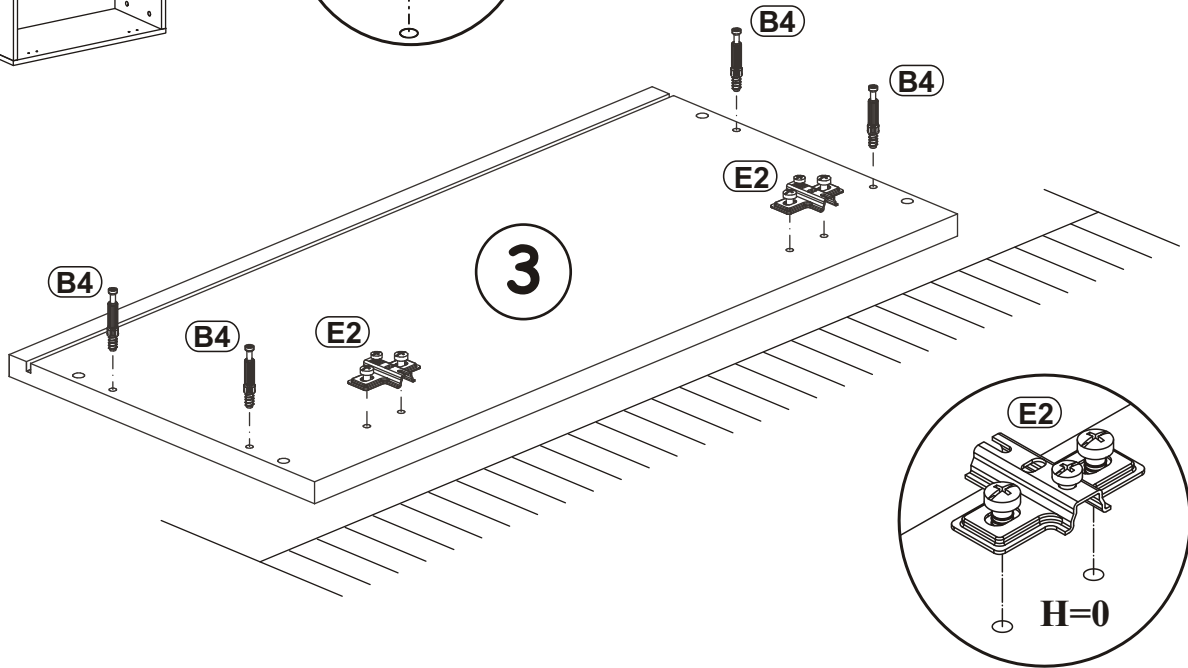
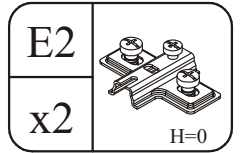
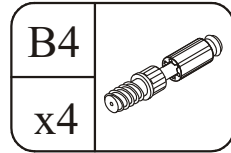
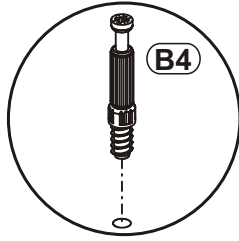
B4	
x4	

ZXL	
x1	

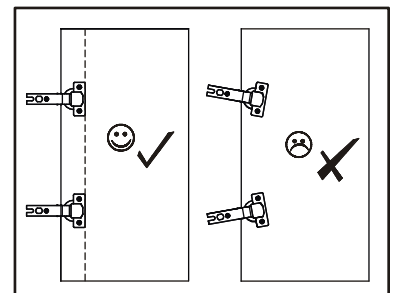
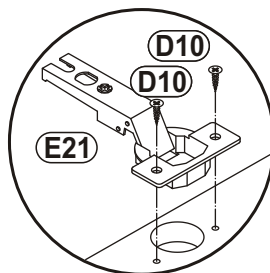
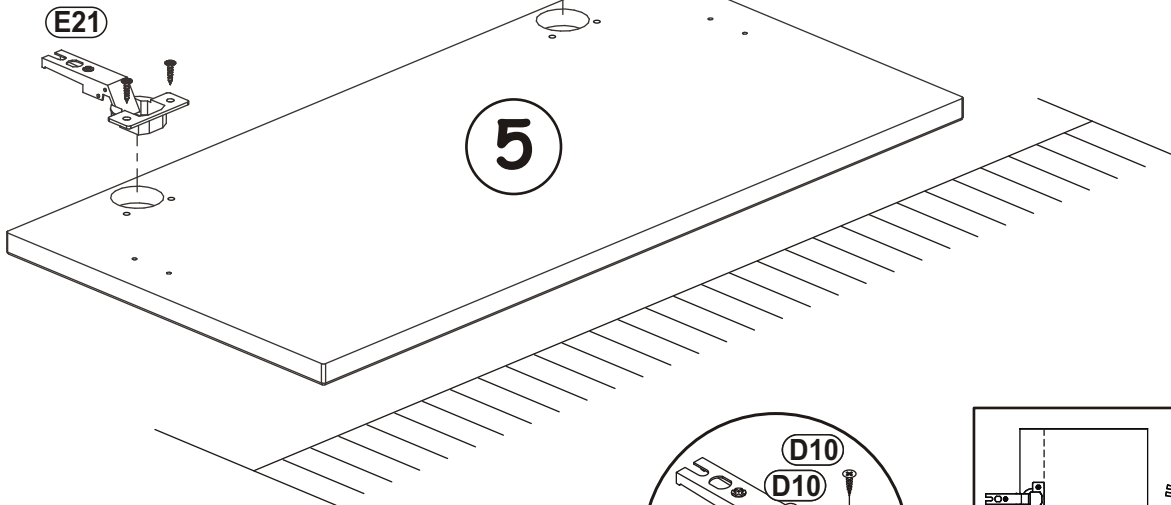
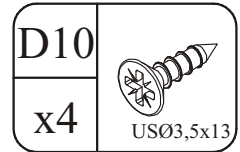
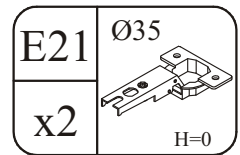
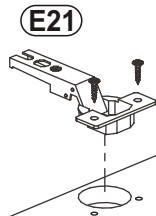
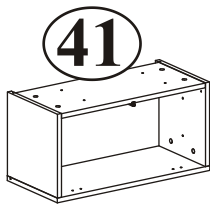
ZXP	
x1	



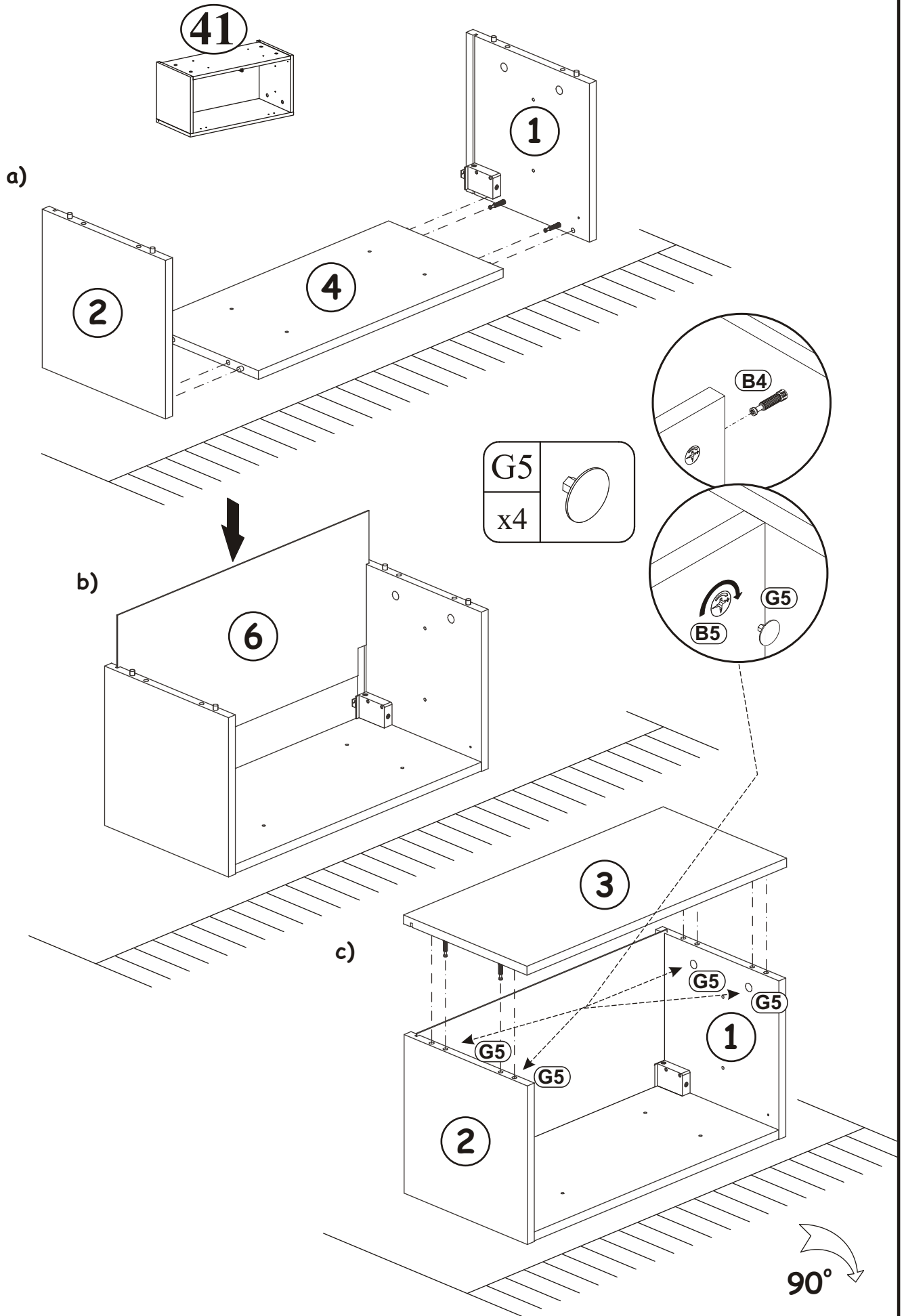
8



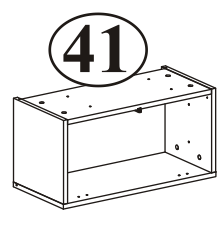
9




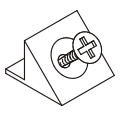
10

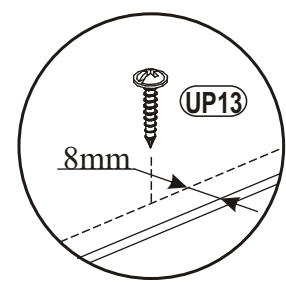
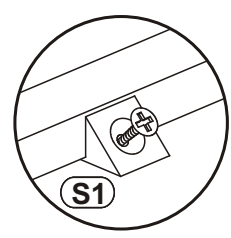
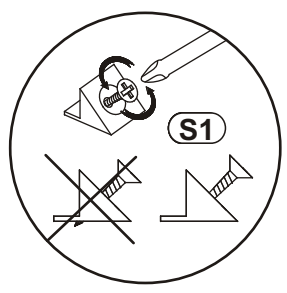
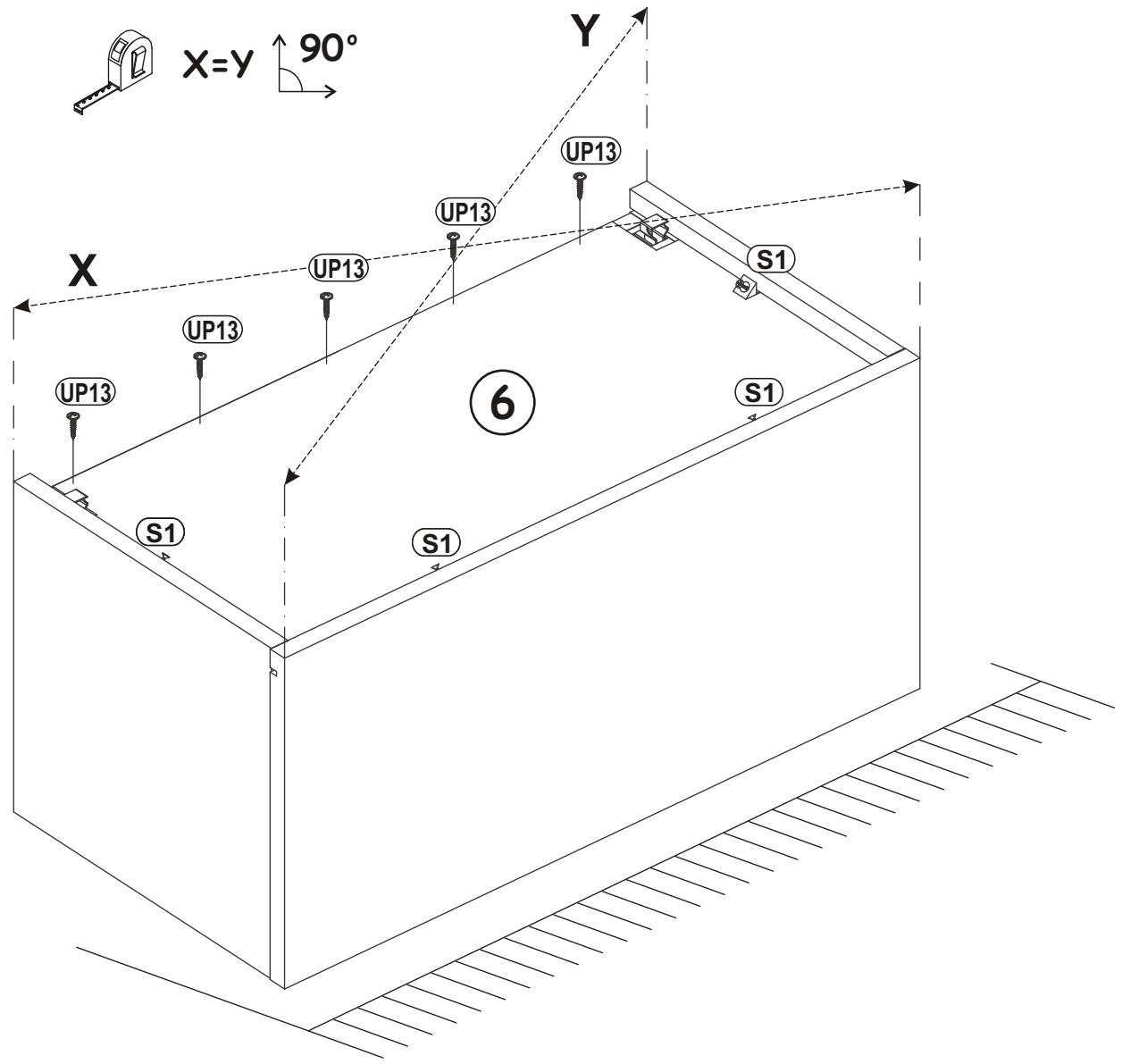


11



UP13	
x5	UPØ3x16

S1	
x4	



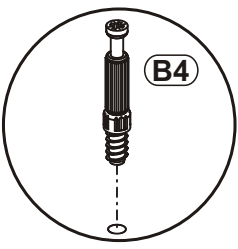
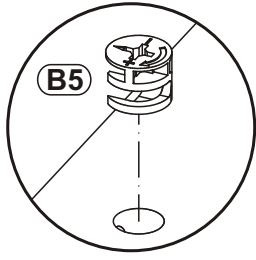
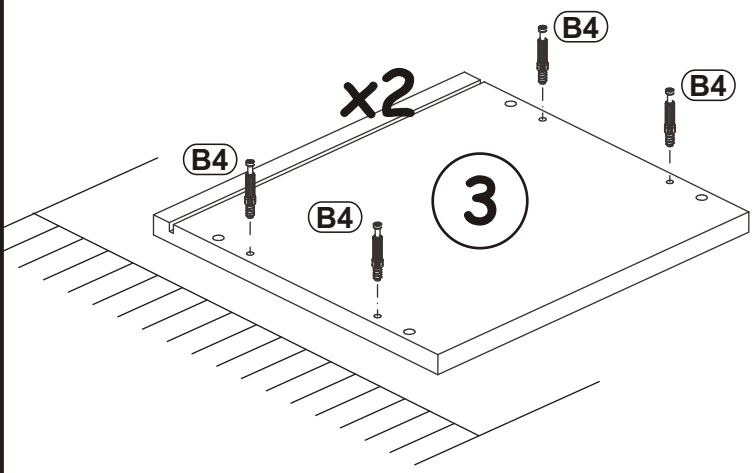
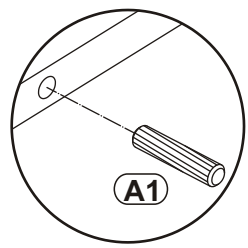
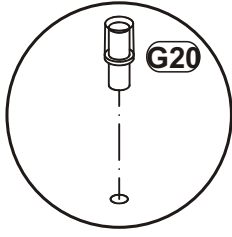
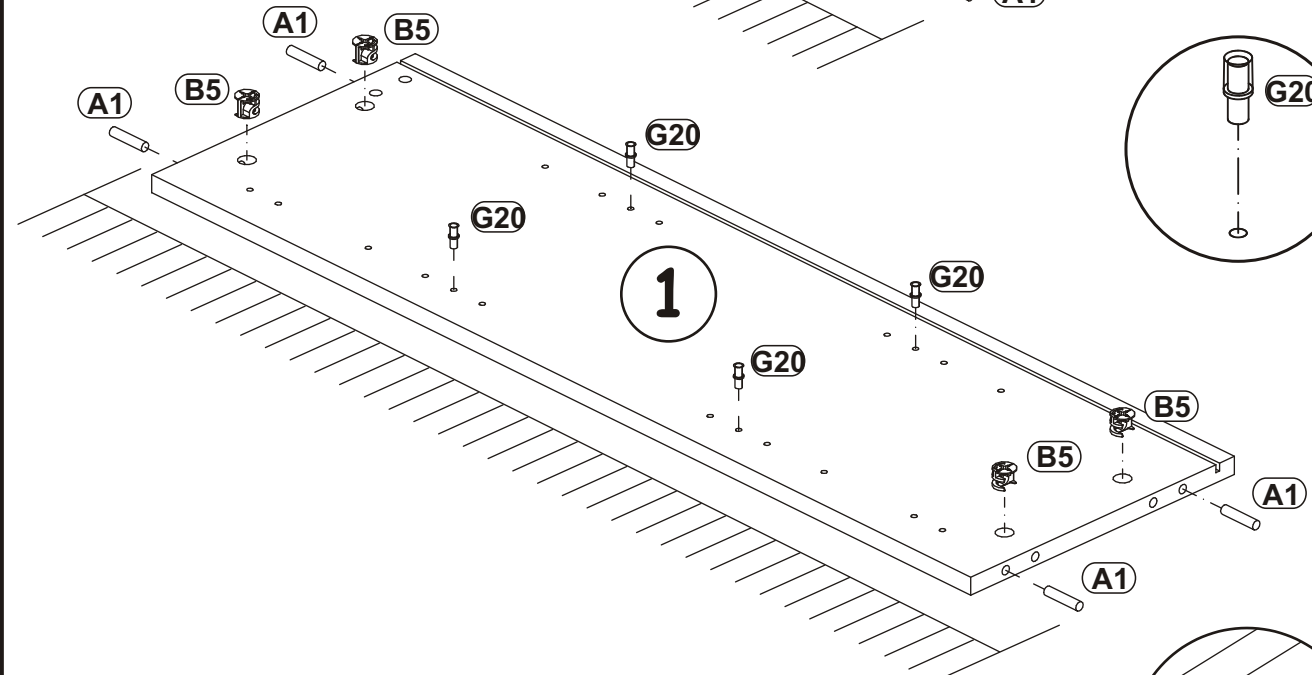
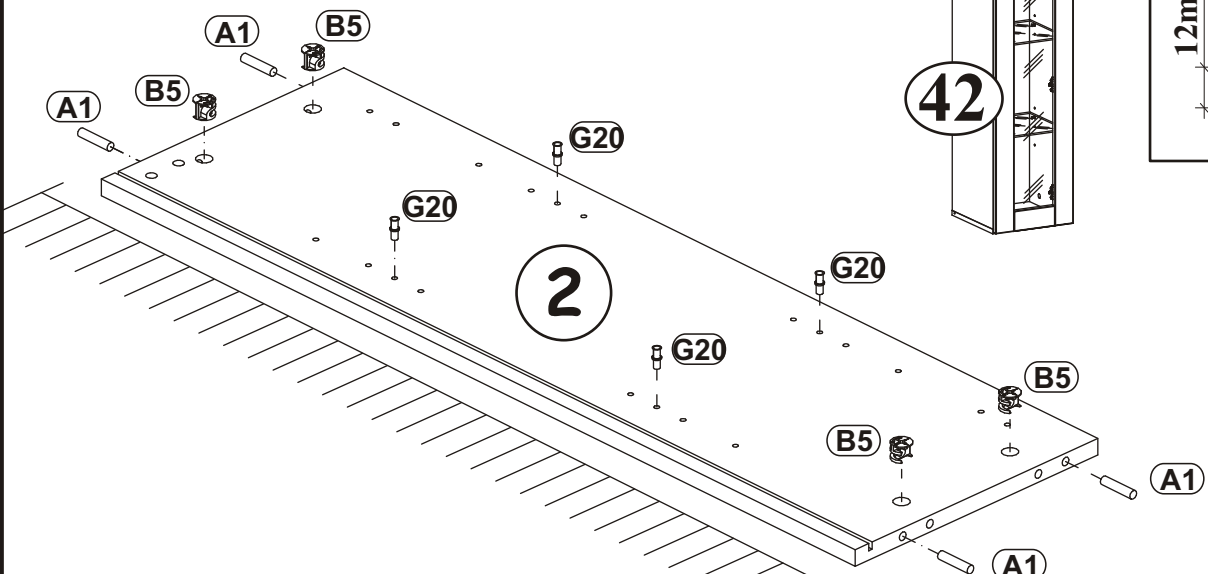
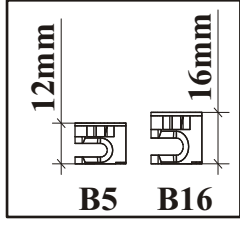
12

B4	
x8	

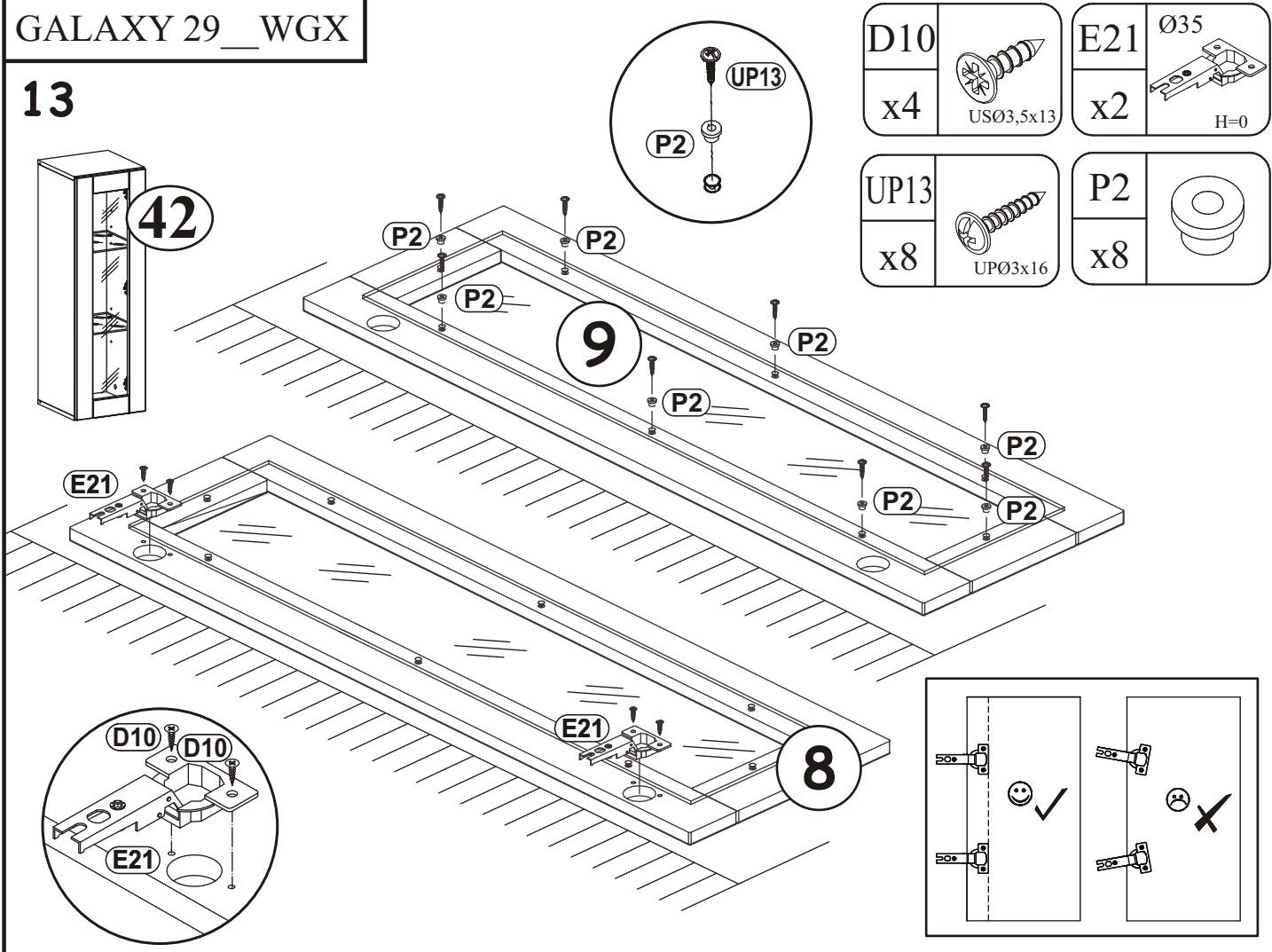
G20	
x8	

B5	
x8	$\phi 15 \times 12$

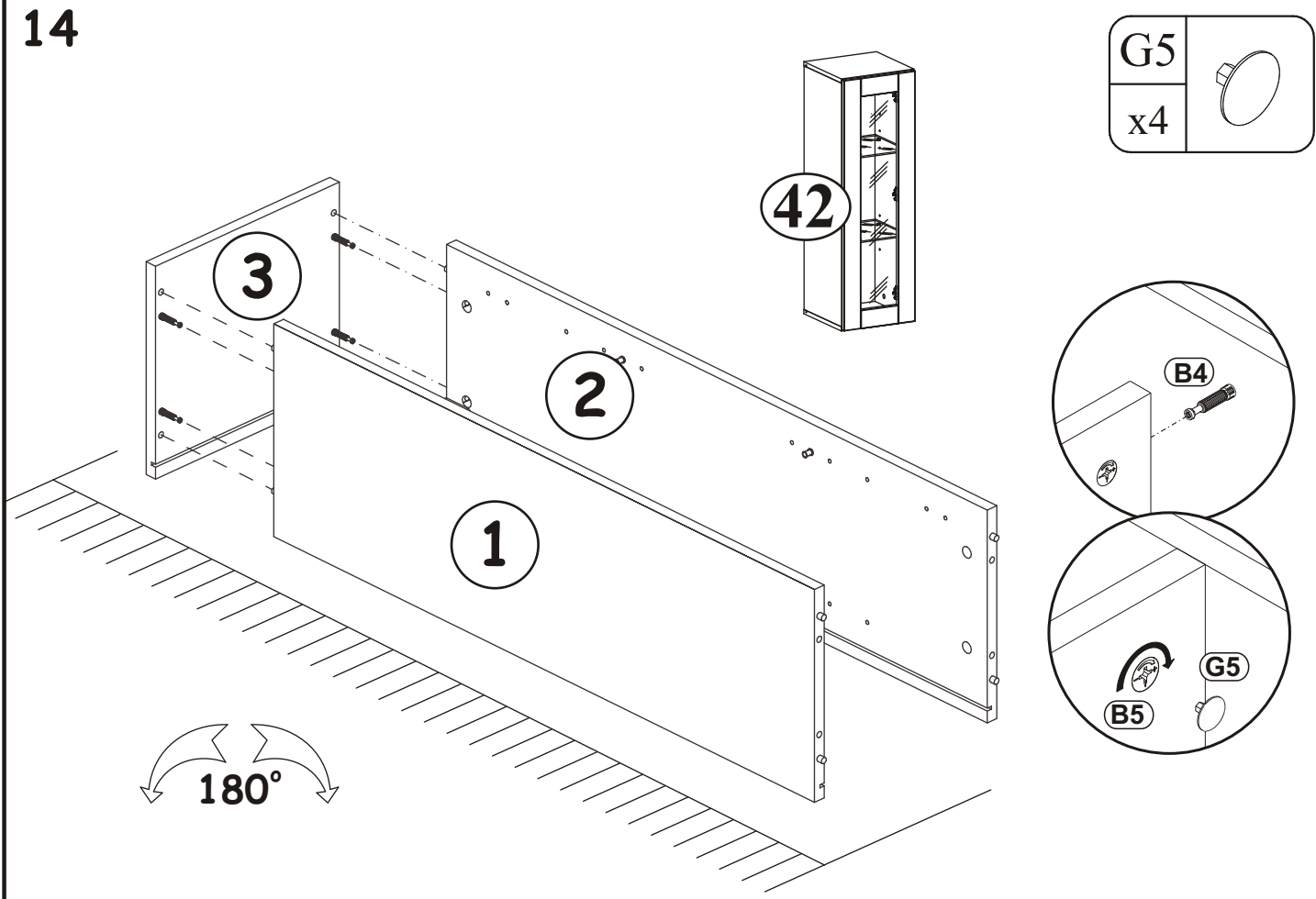
A1	
x8	$\phi 8 \times 36$




13

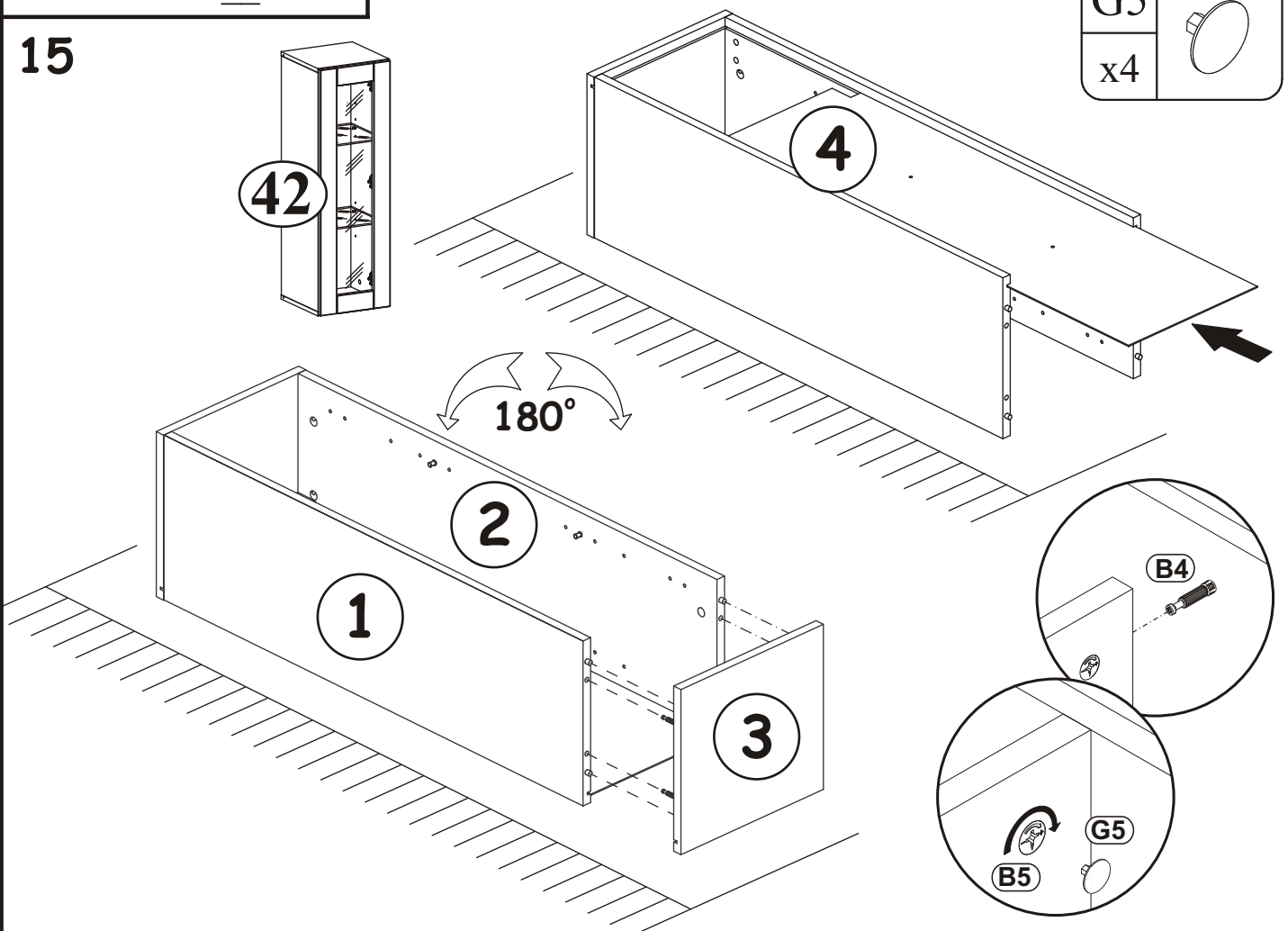


14

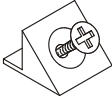


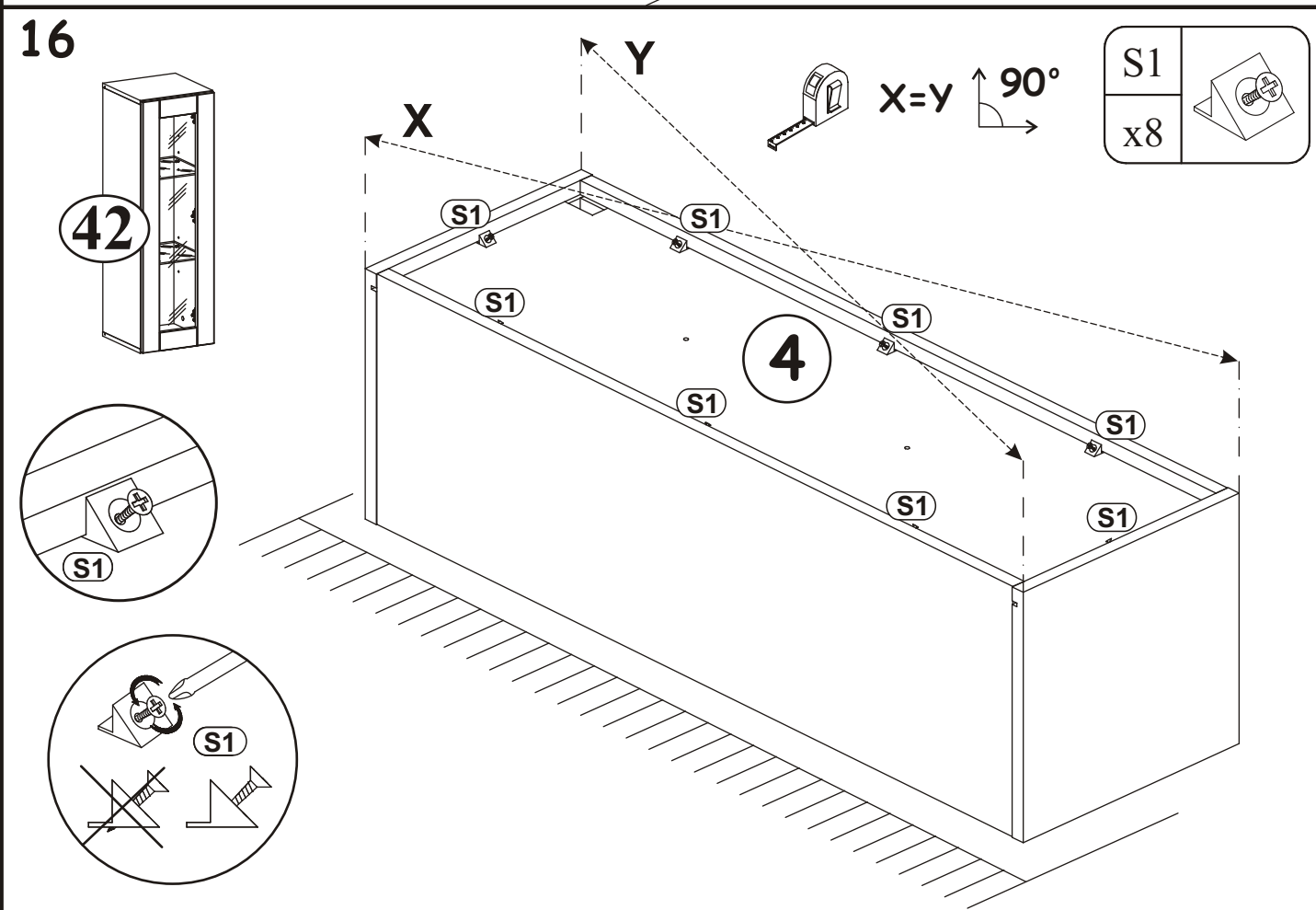
15

G5	
x4	

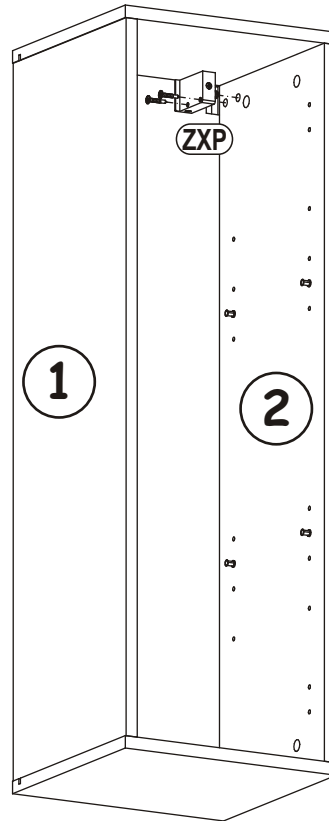
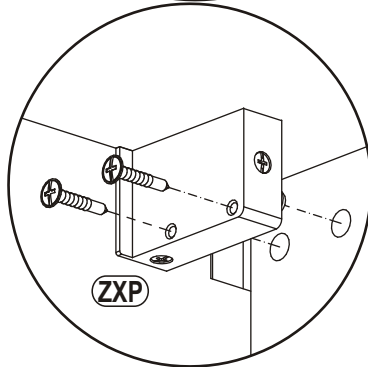
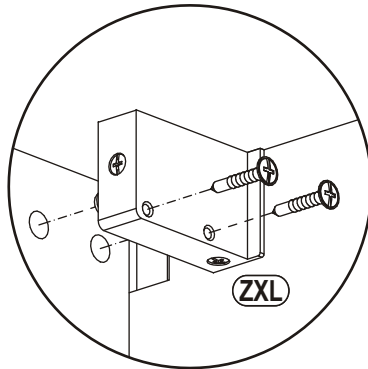
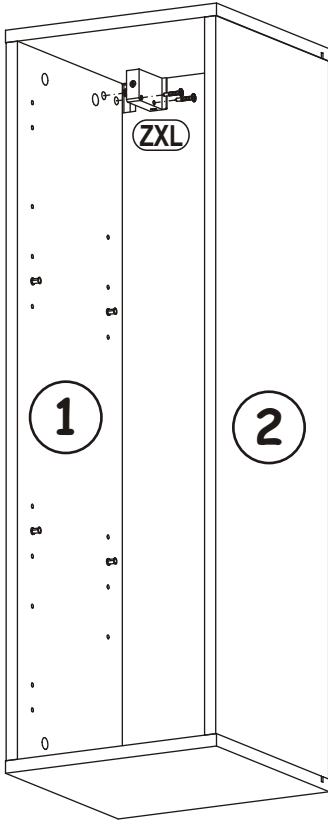
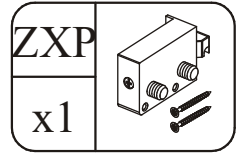
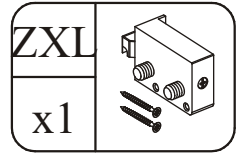


16

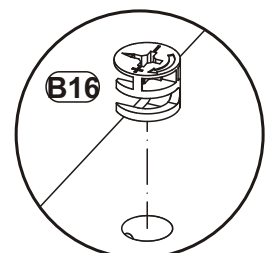
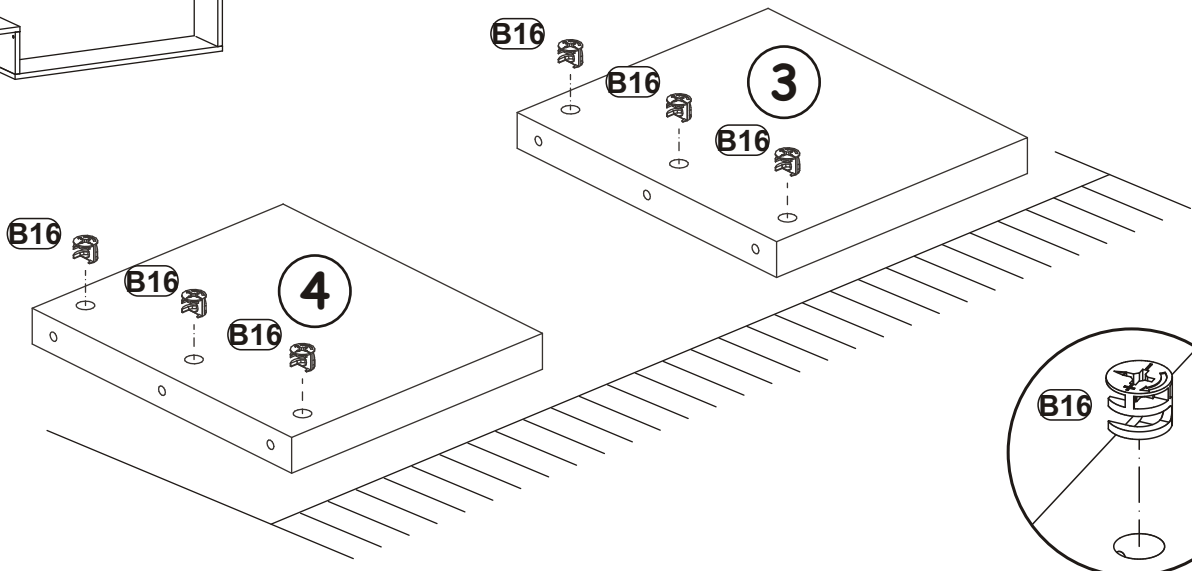
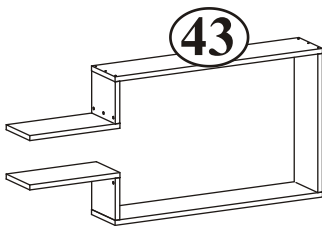
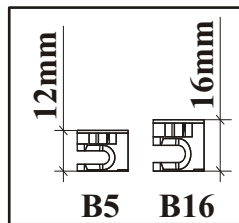
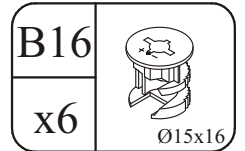
S1	
x8	



17

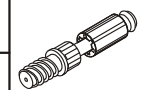


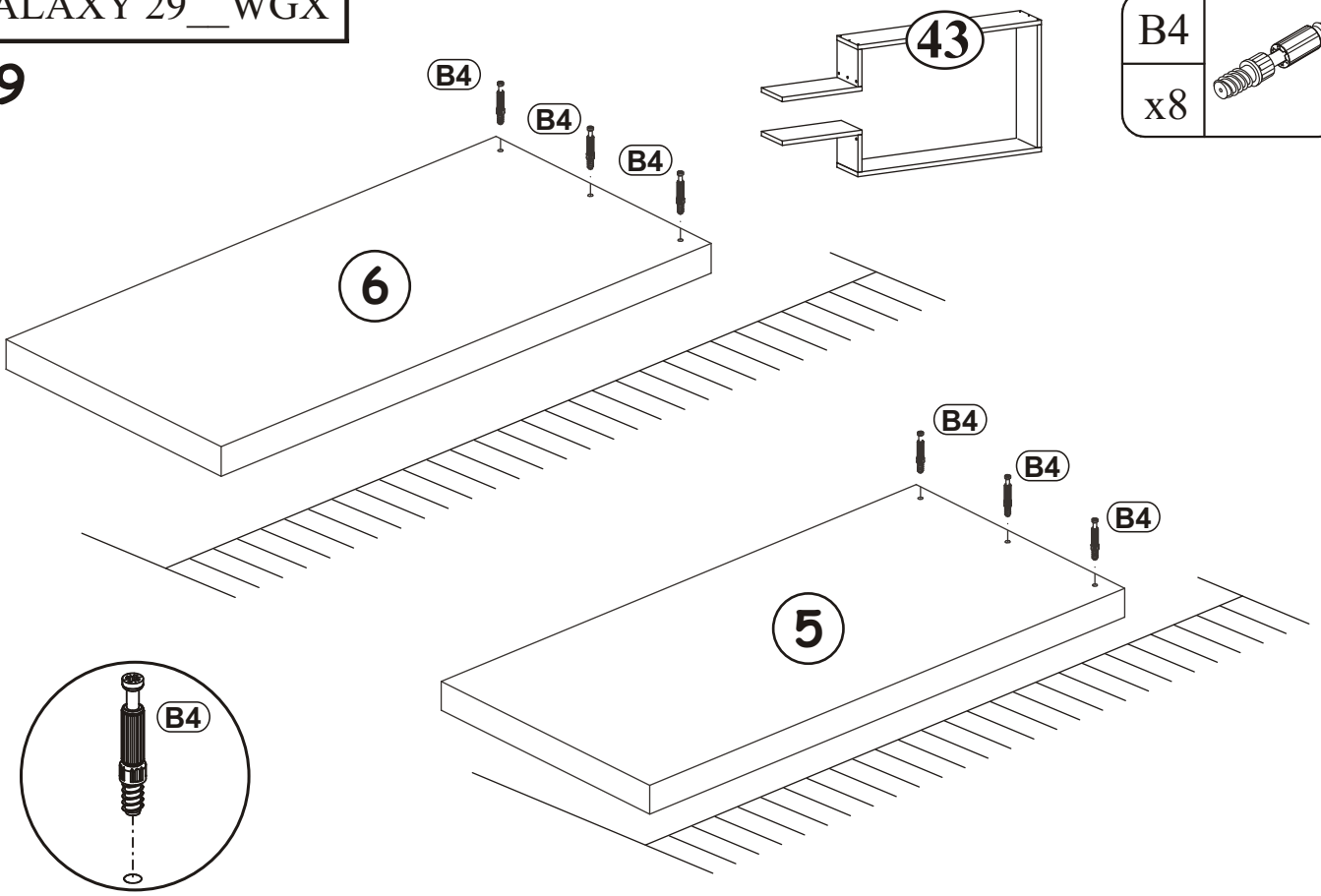
18



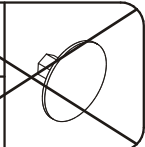


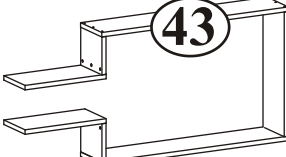
19

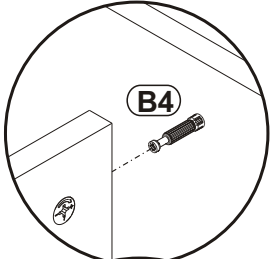
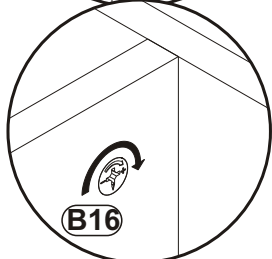
B4	
x8	

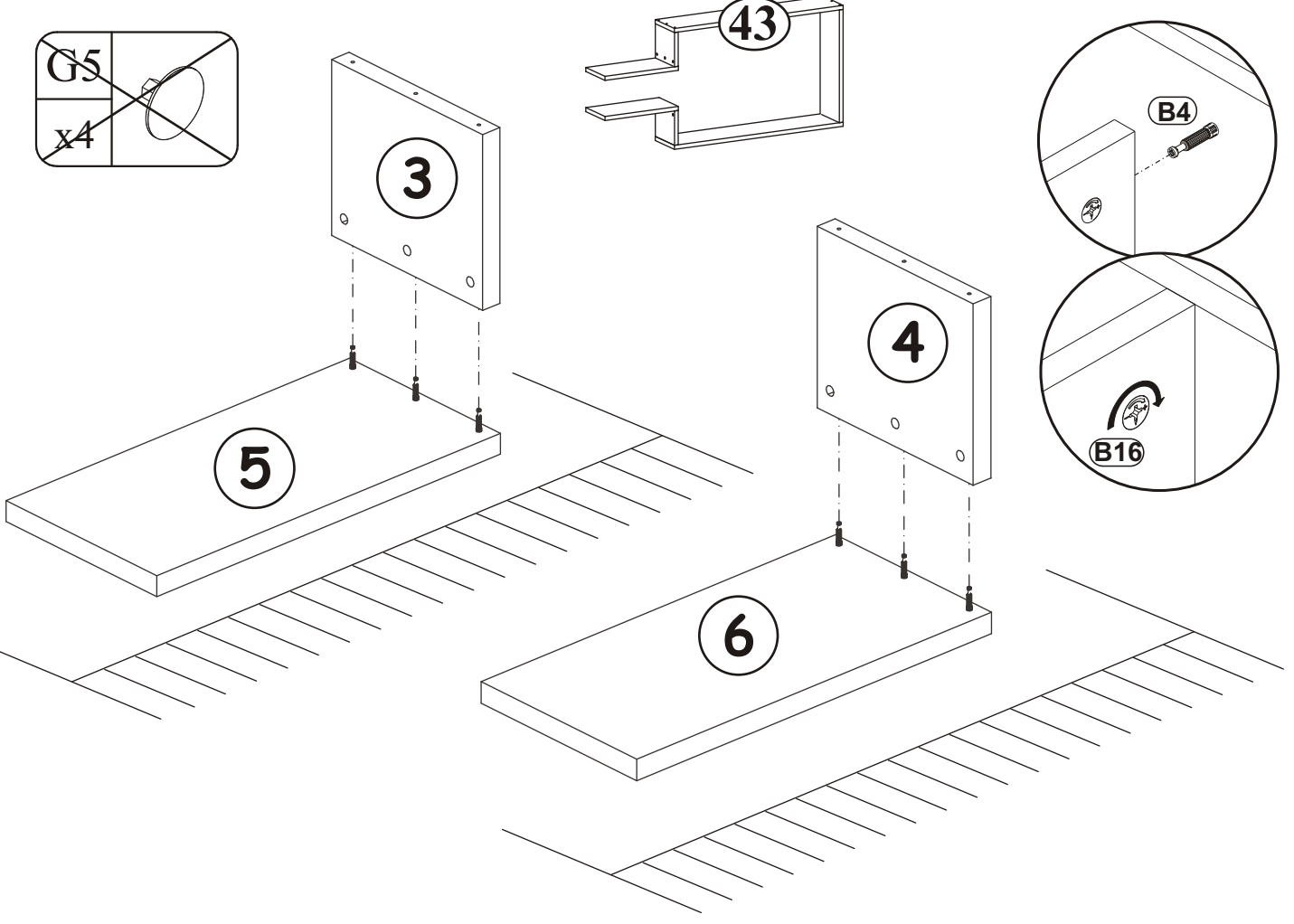


20

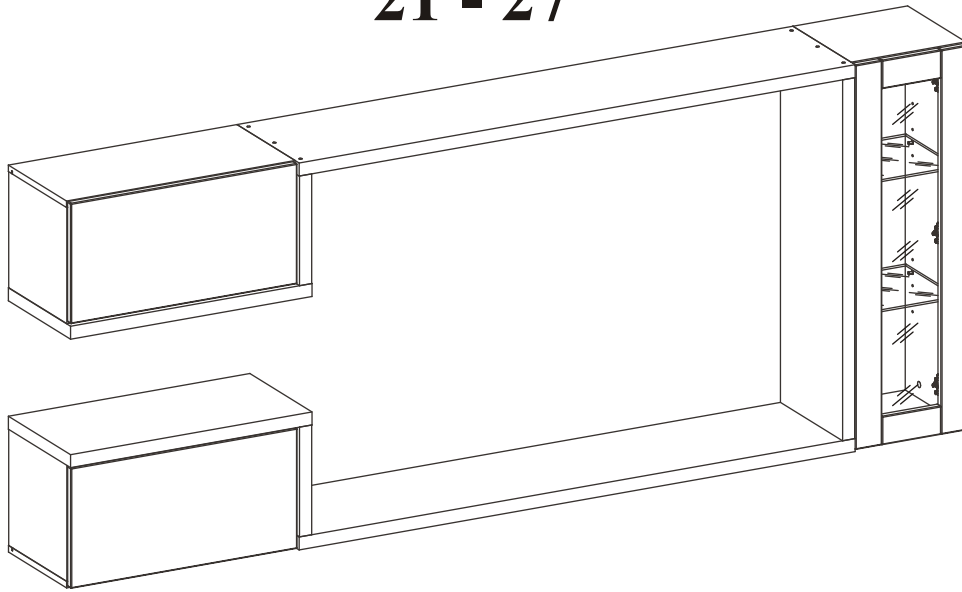
<del>G5</del>	
<del>x4</del>	

43	

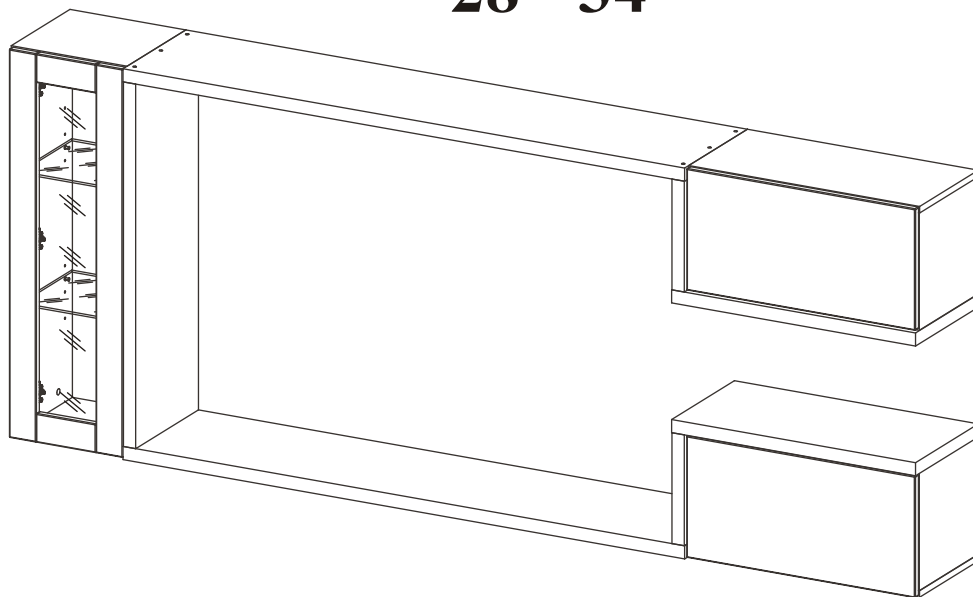





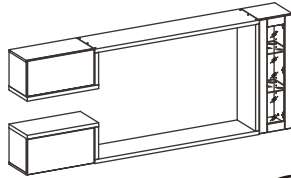
21 - 27




28 - 34

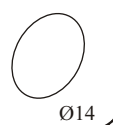


21

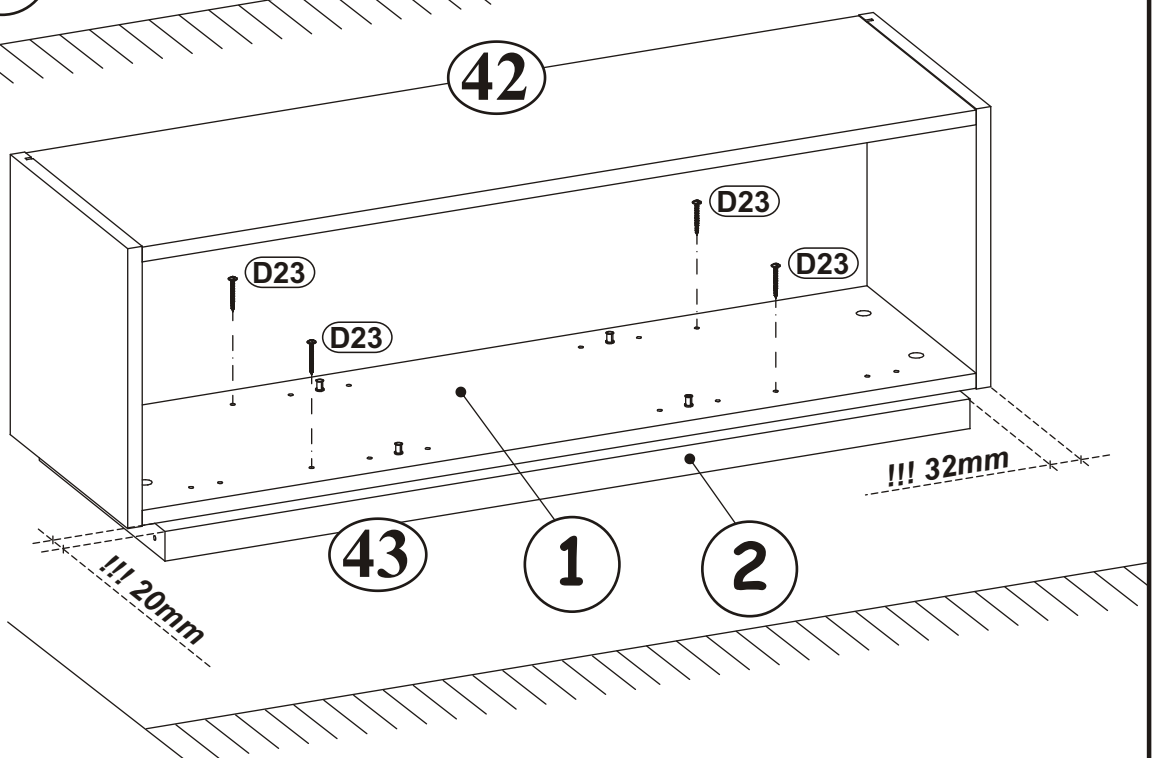
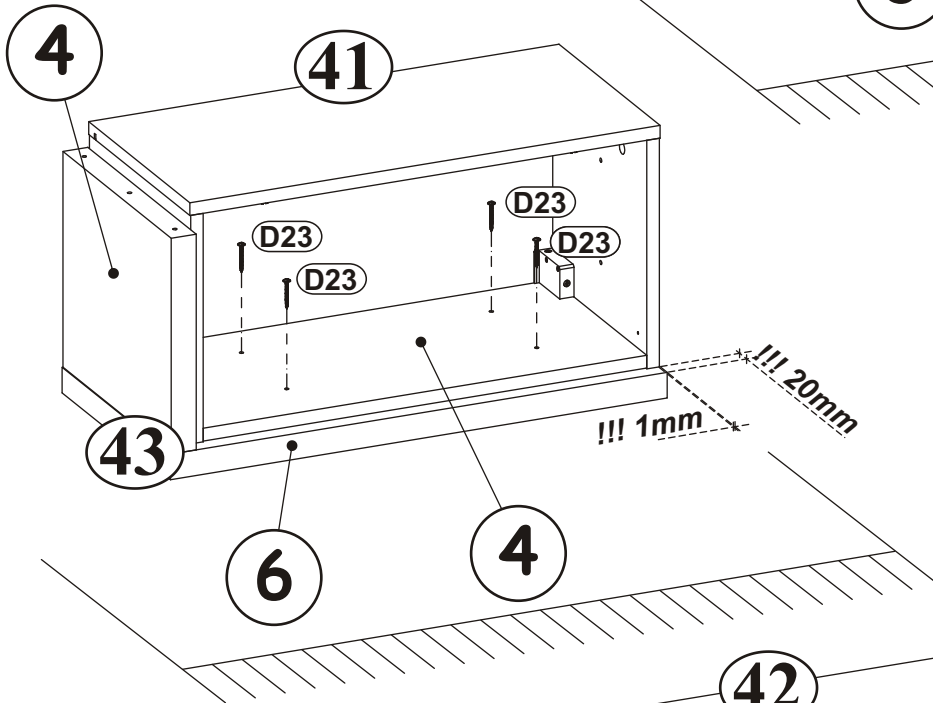
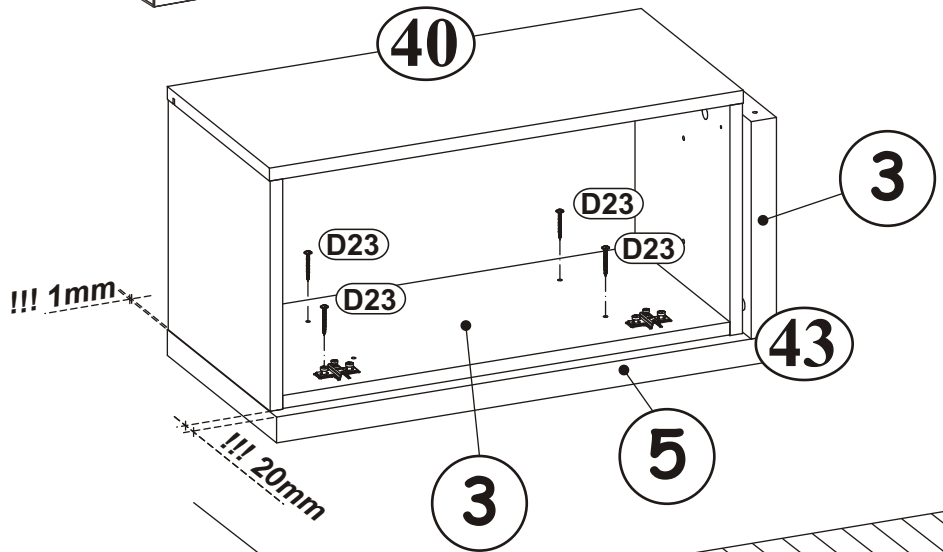
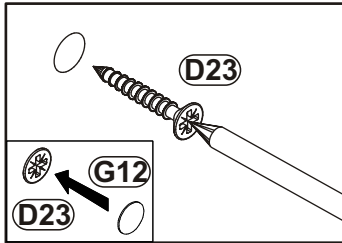
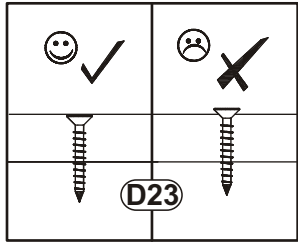


D23	
x12	

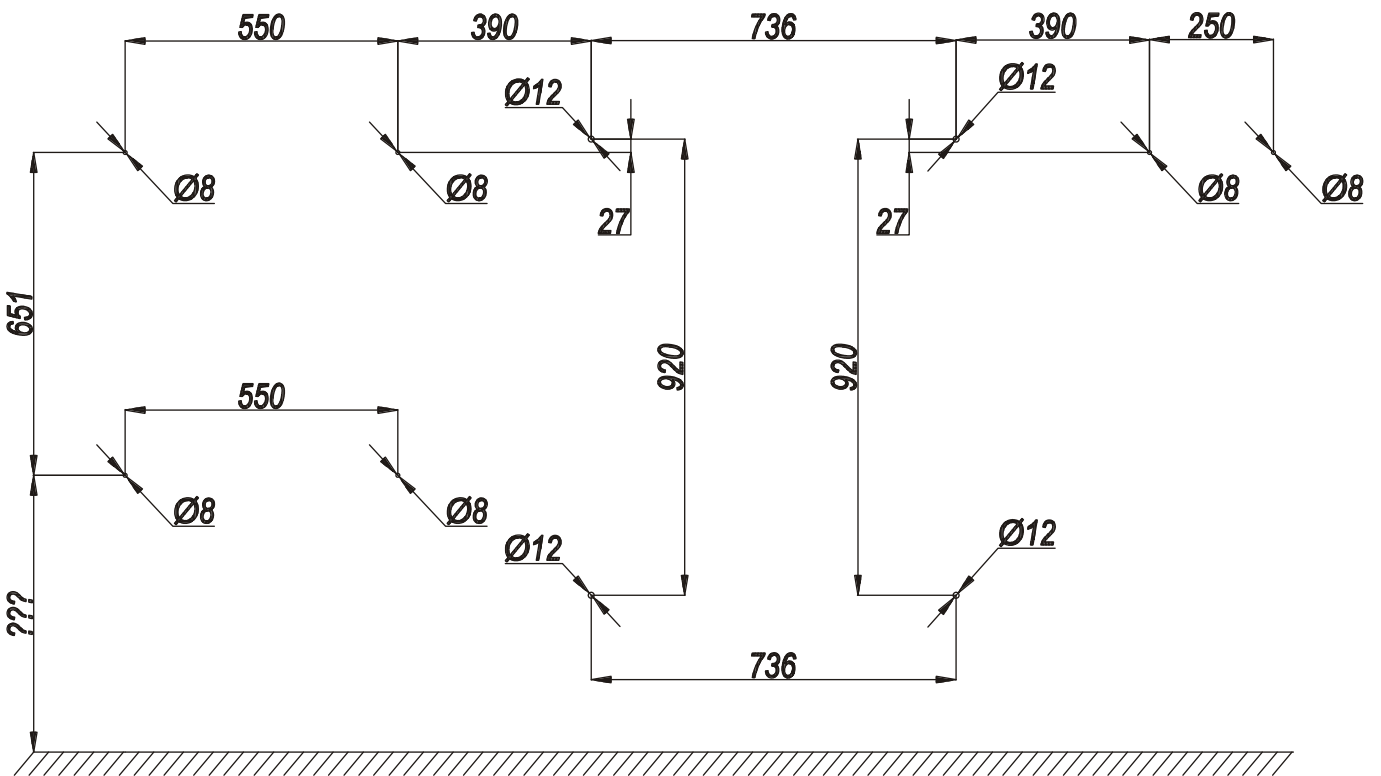
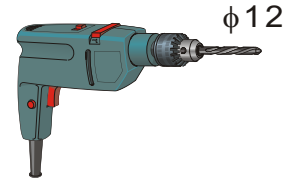
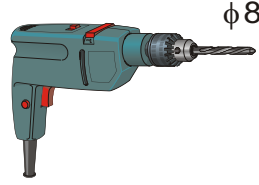
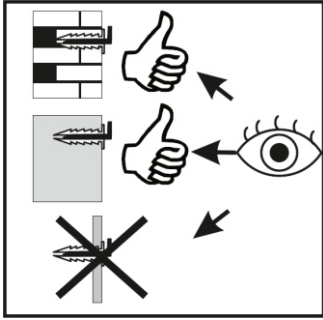
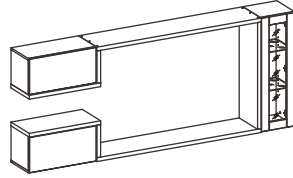
USØ3,5x35

G12	
x12	

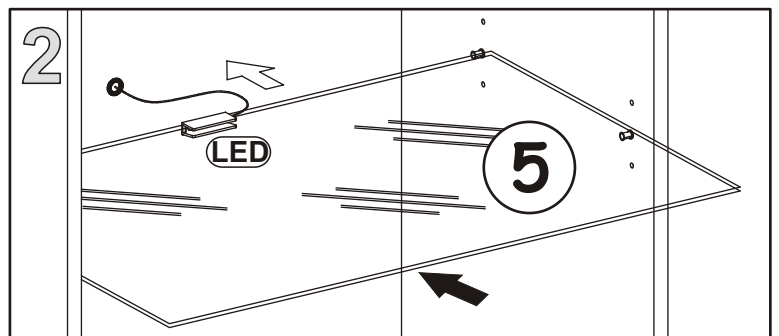
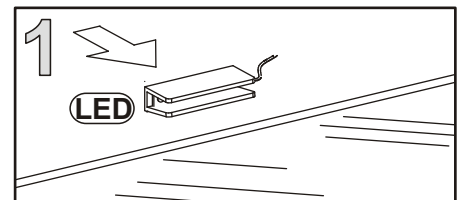
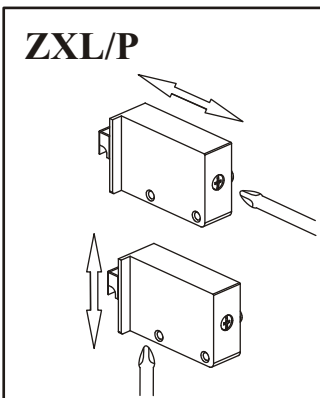
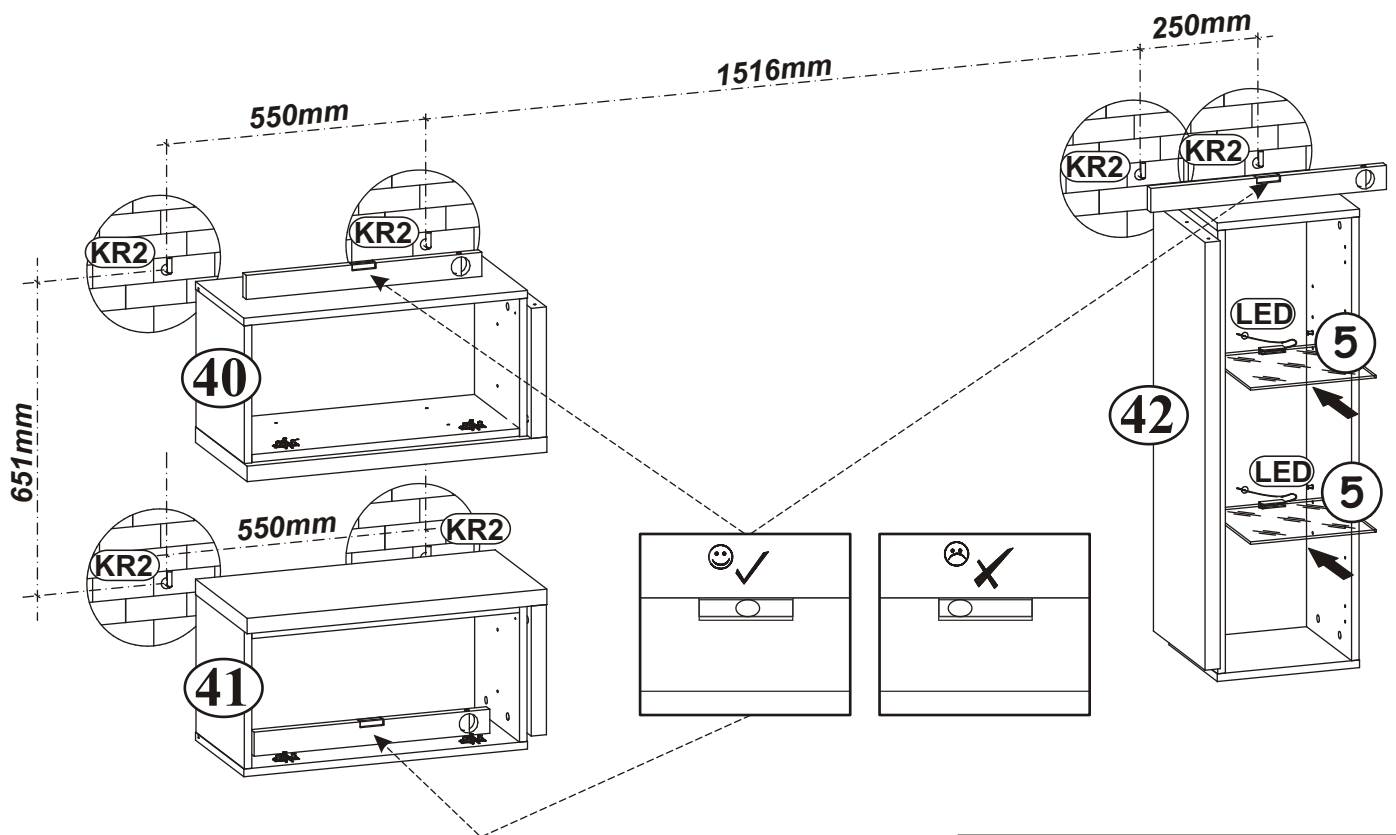
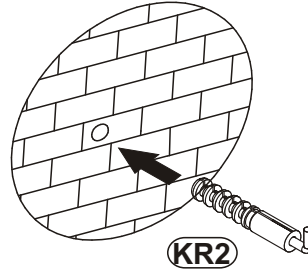
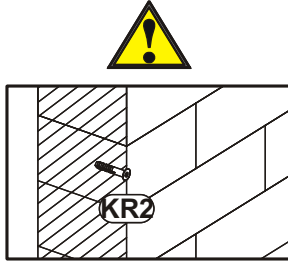
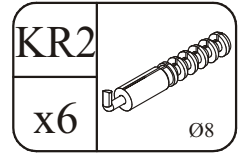
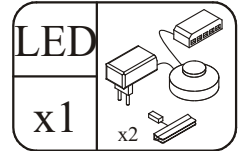
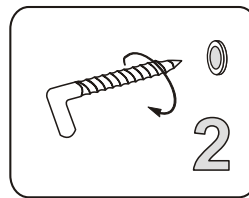
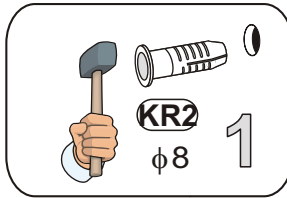
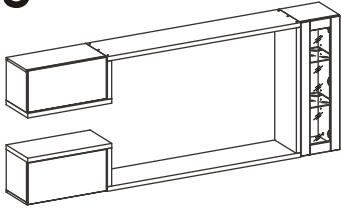
Ø14



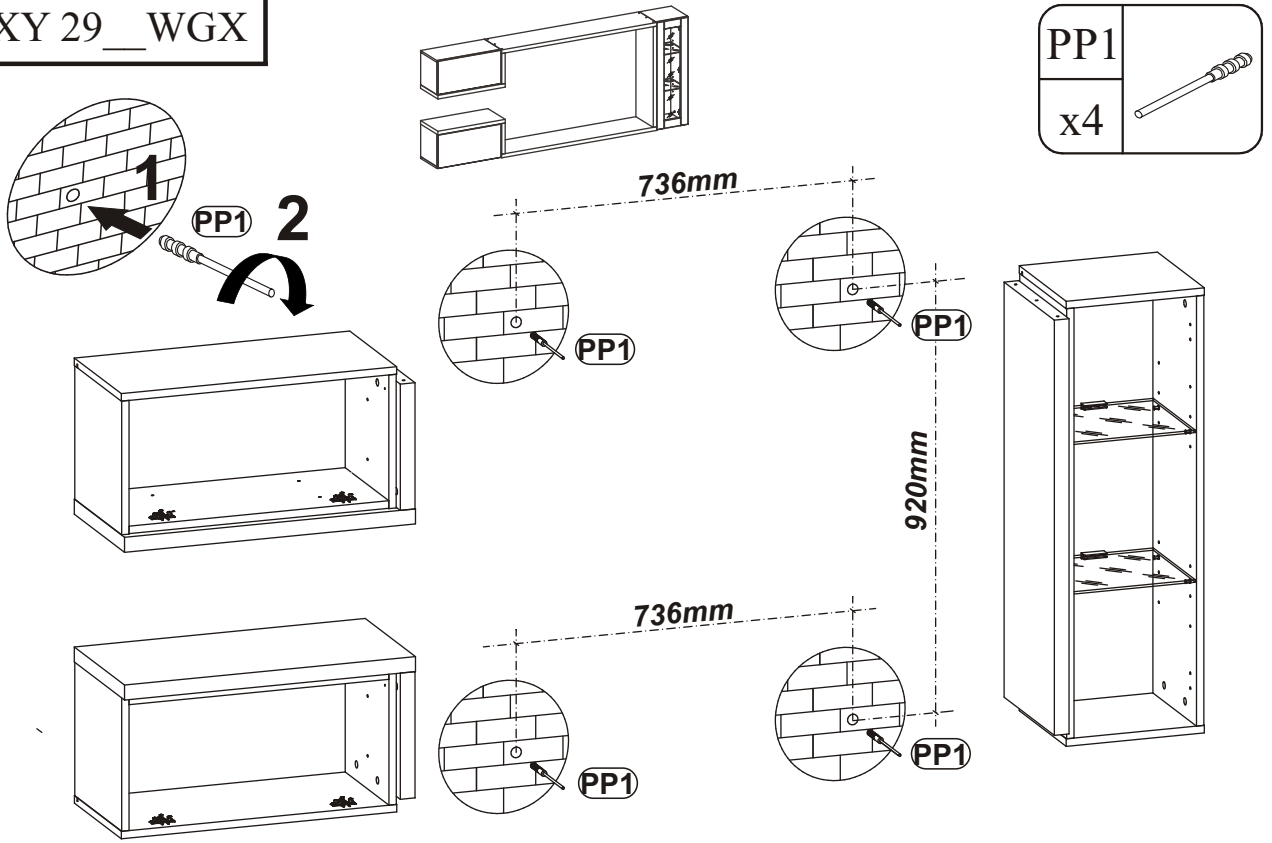
22



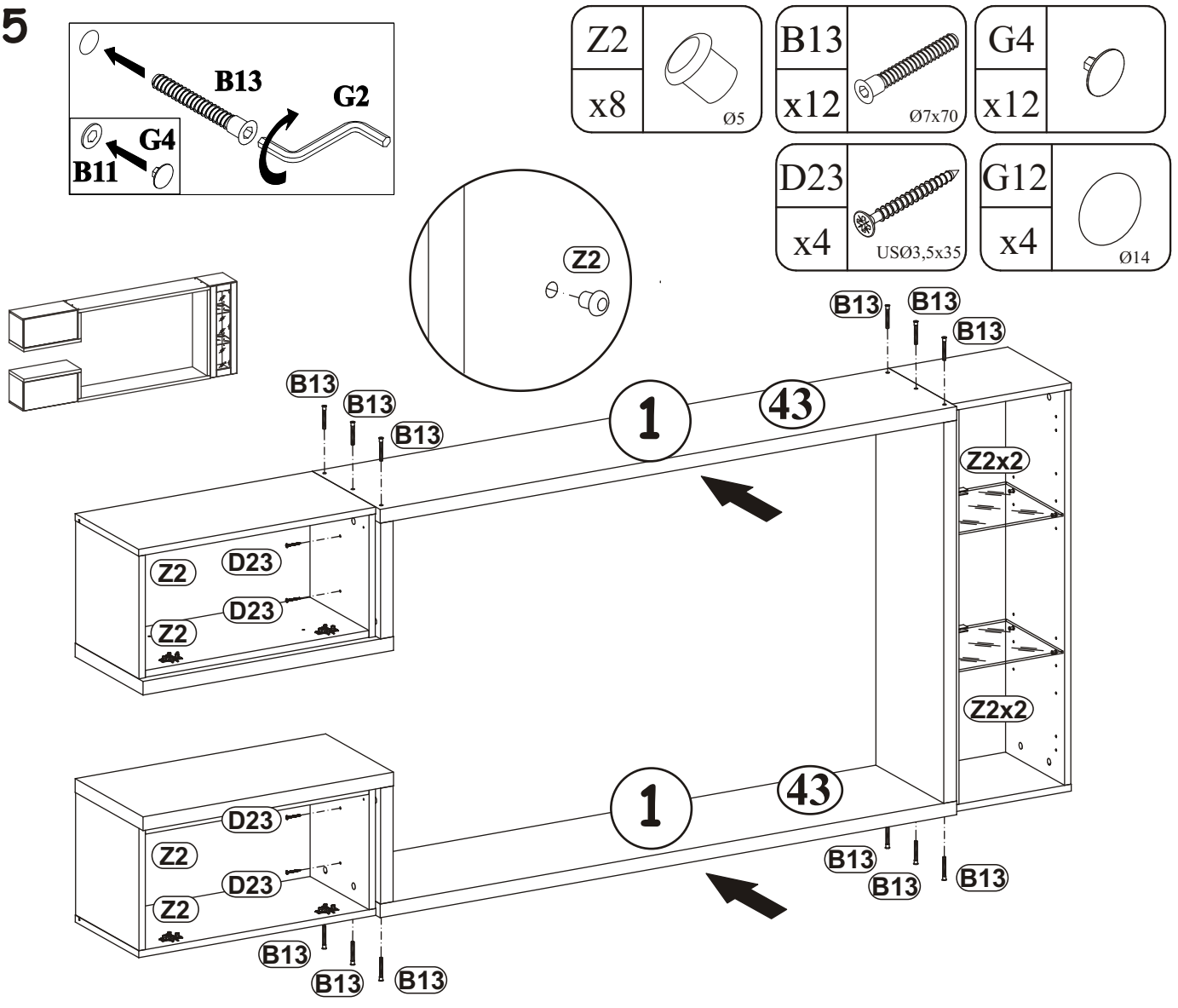
23



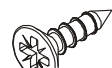
24




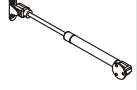
25




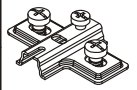
26

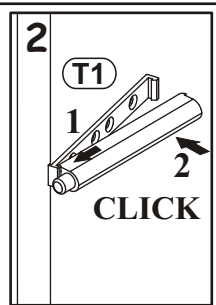
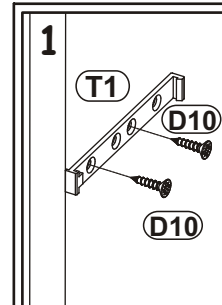
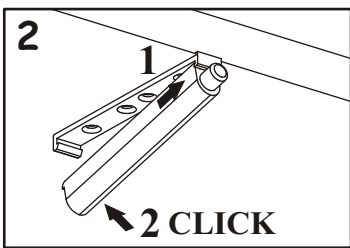
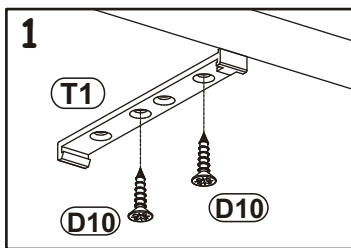
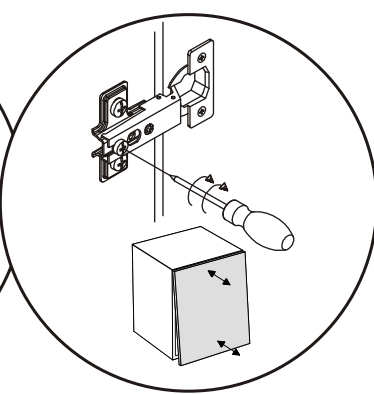
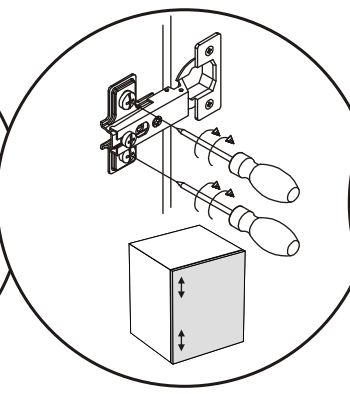
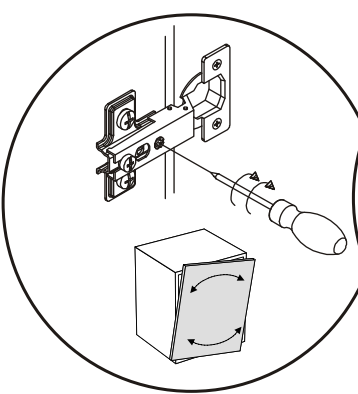
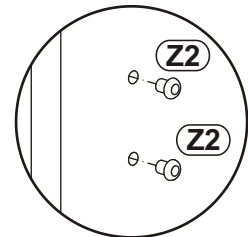
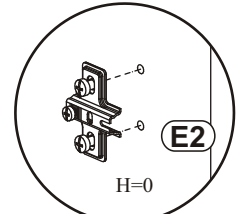
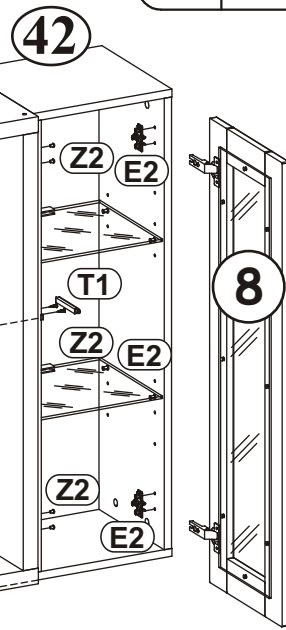
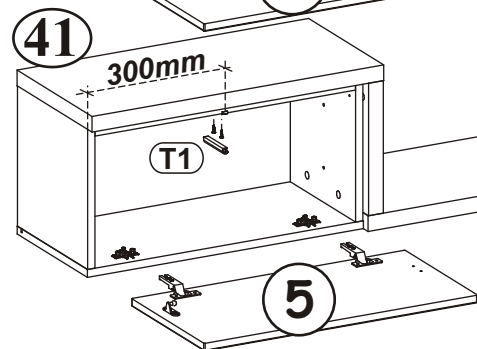
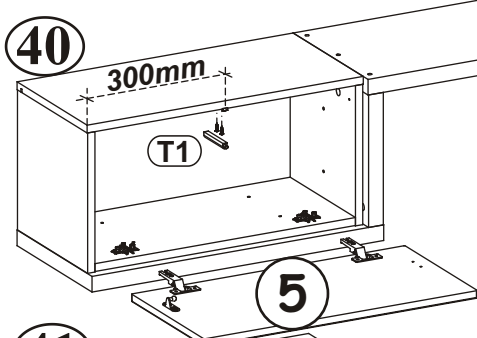
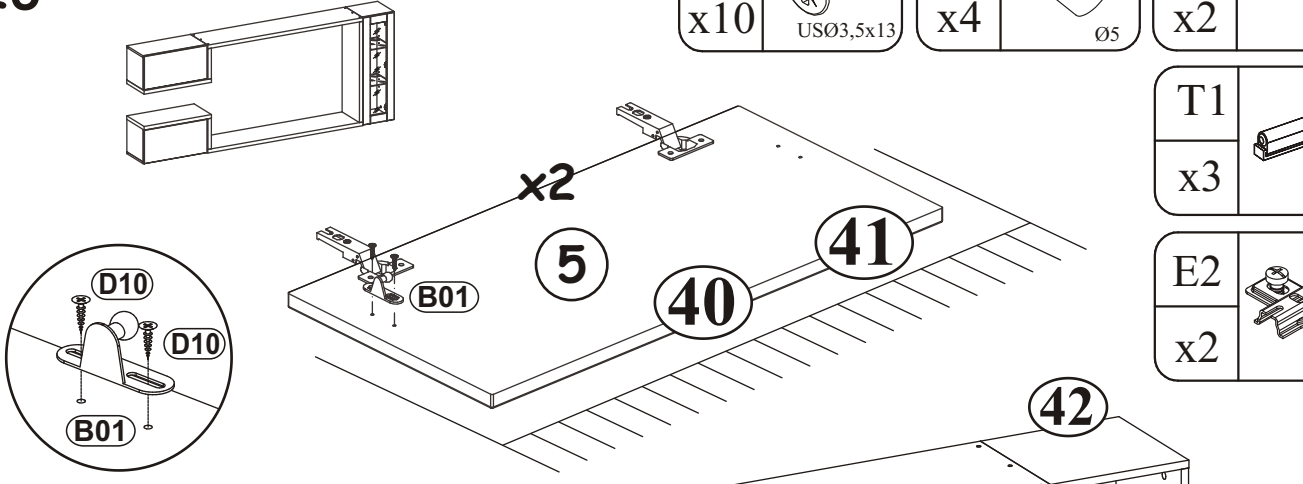
D10	
x10	USØ3,5x13

Z2	
x4	Ø5

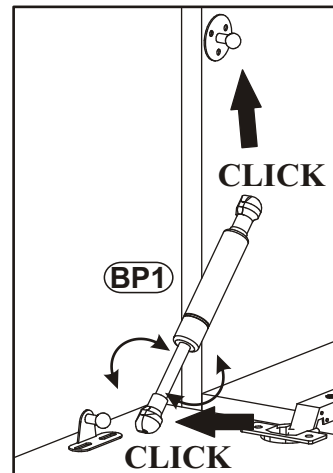
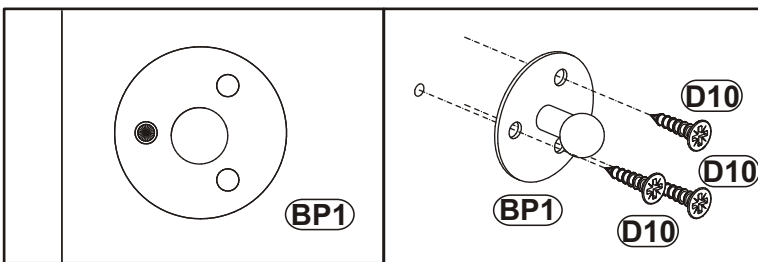
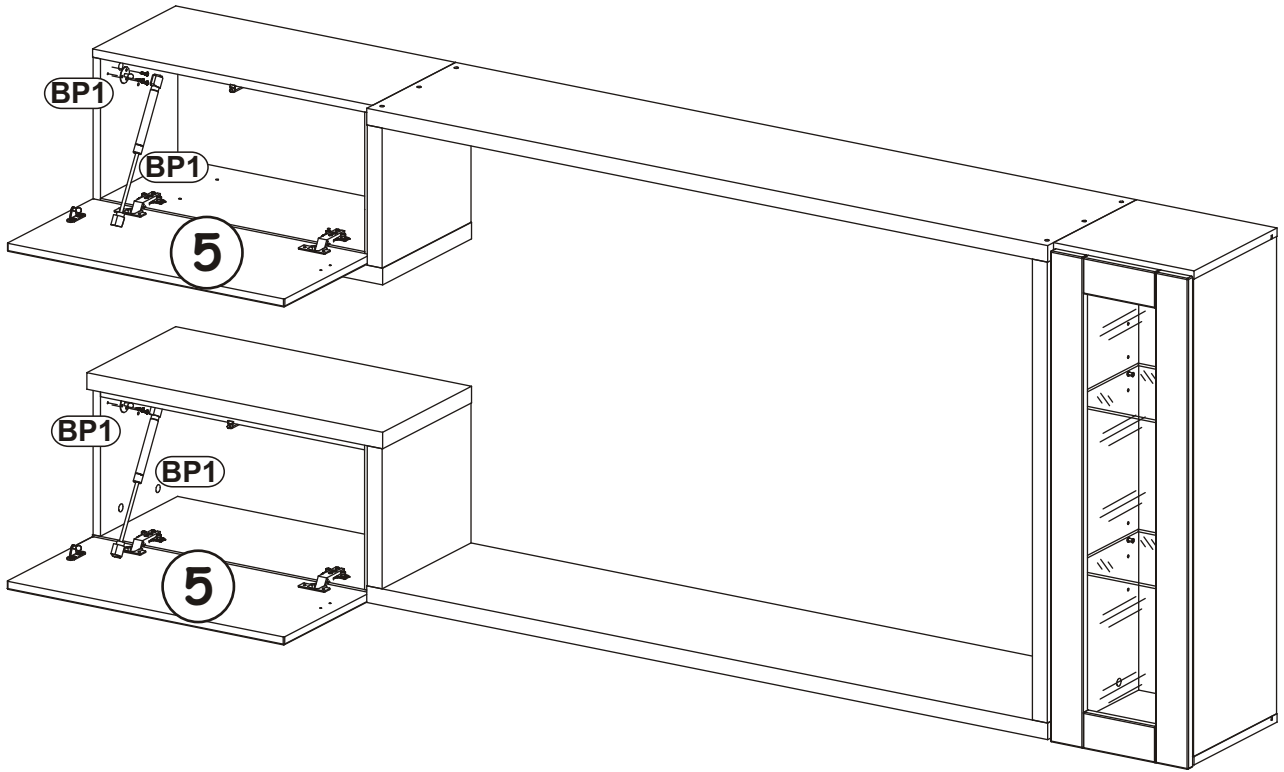
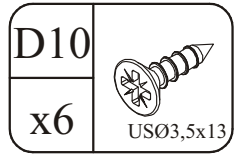
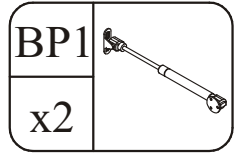
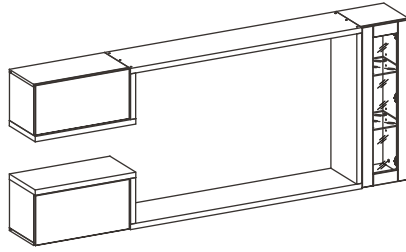
BP1	
x2	

T1	
x3	

E2	
x2	H=0

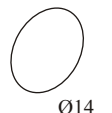



27

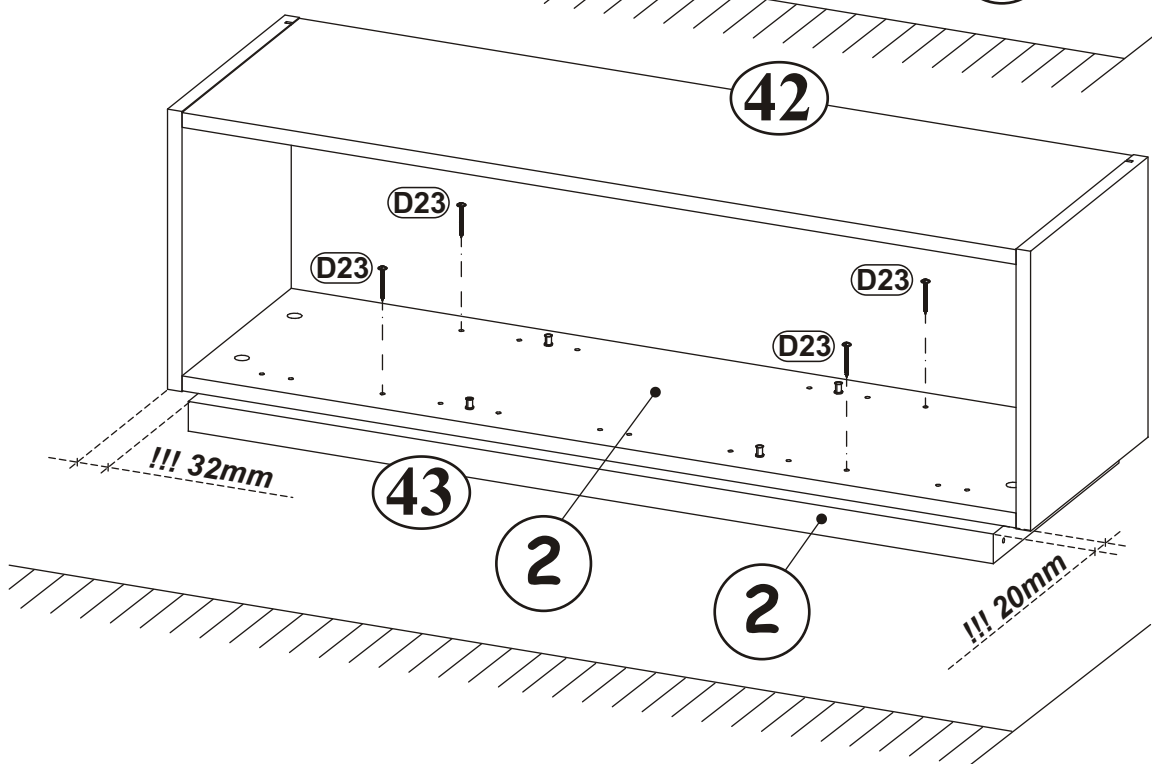
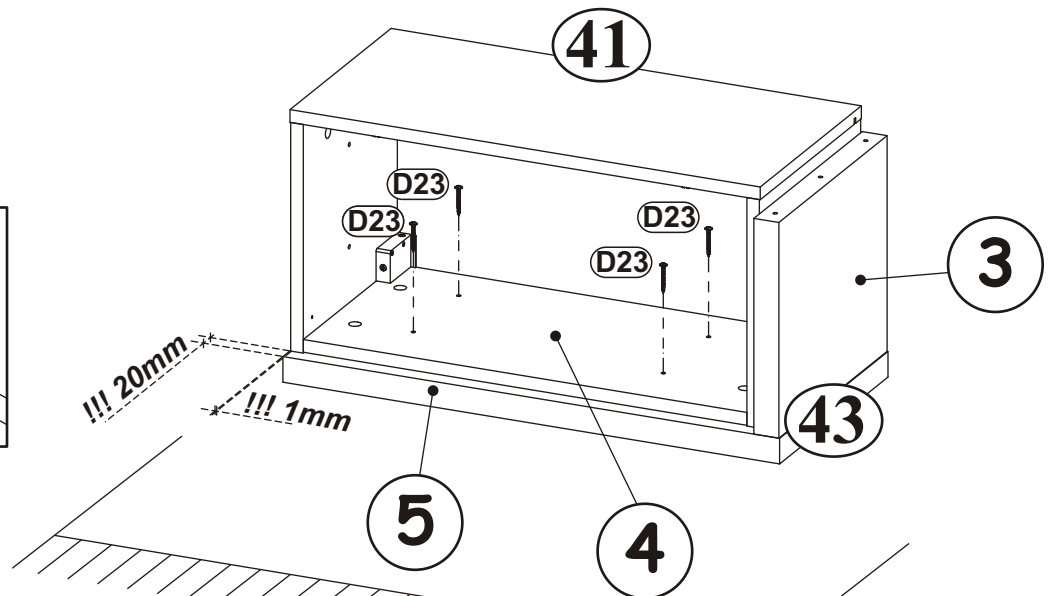
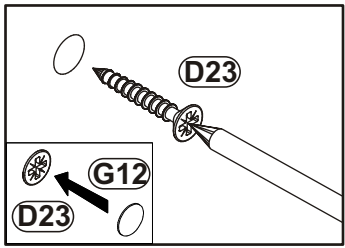
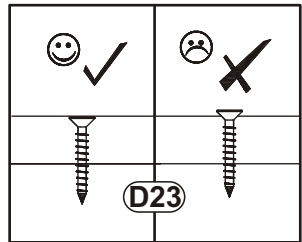
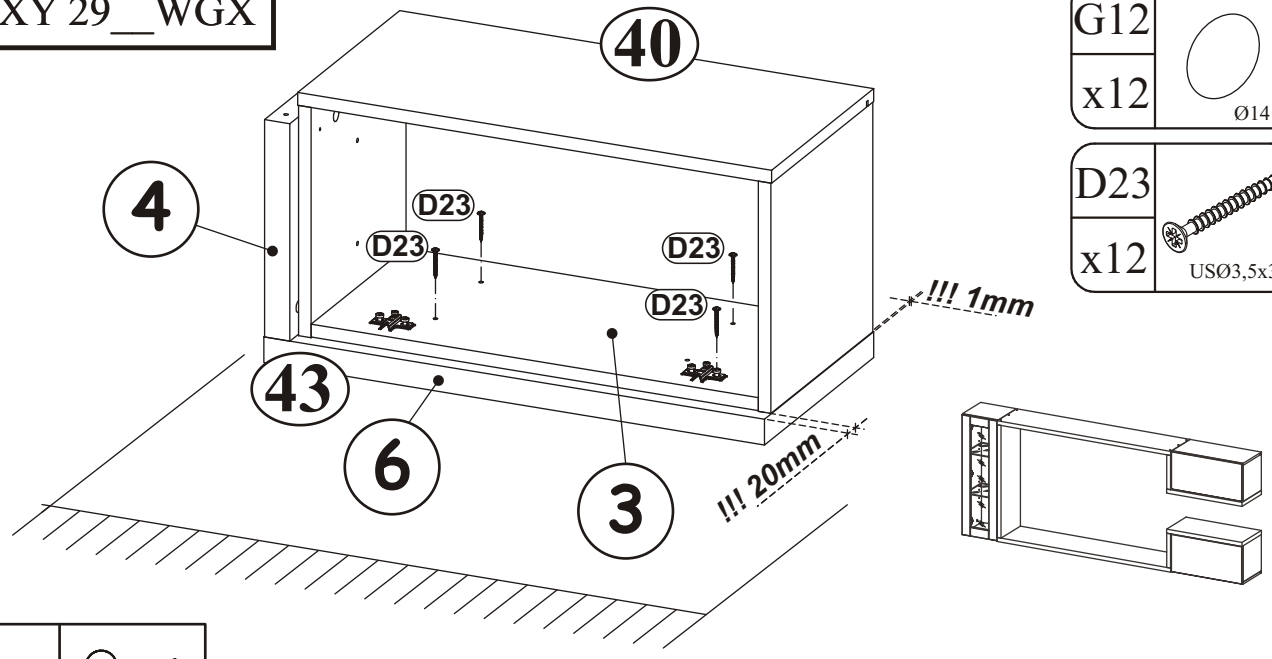




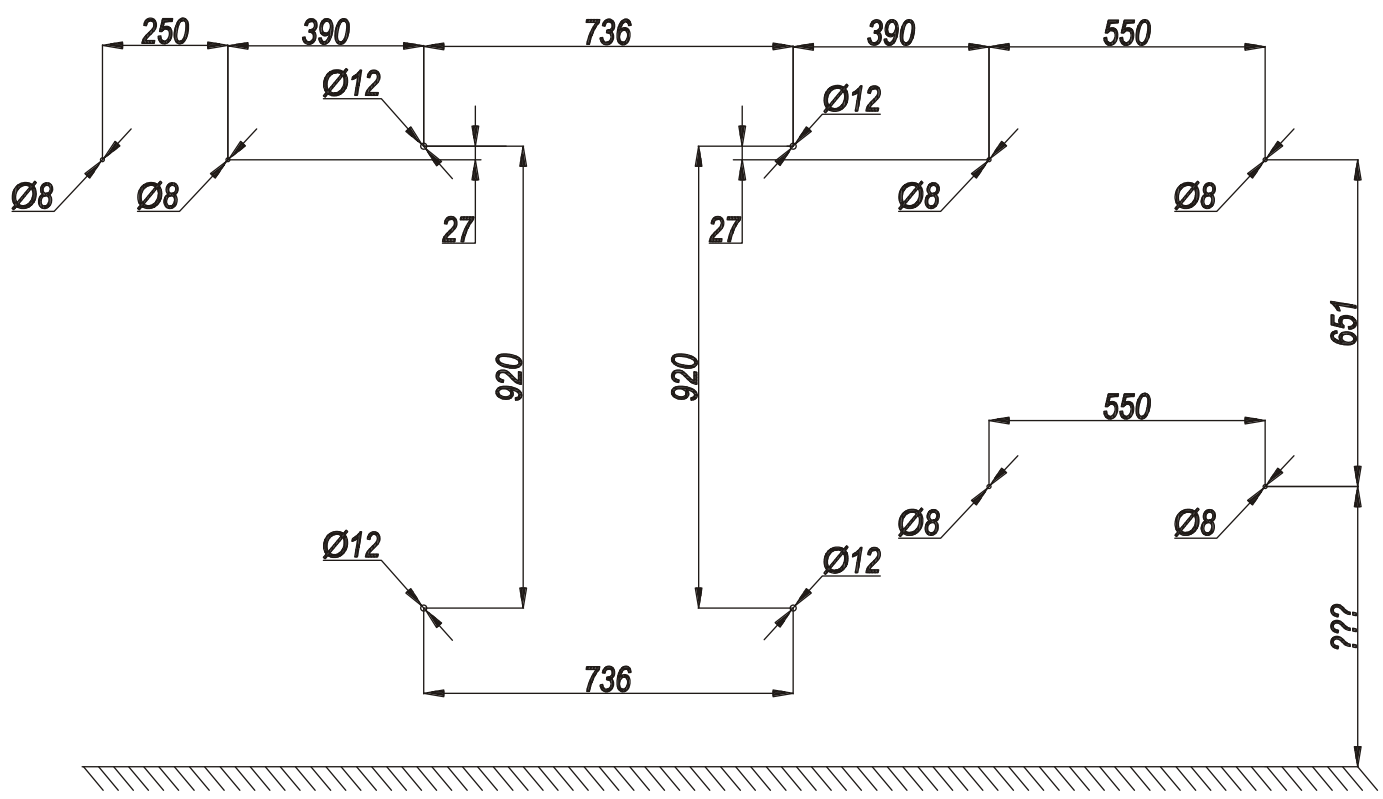
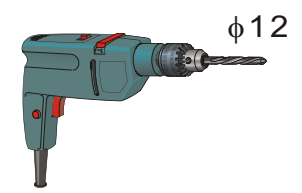
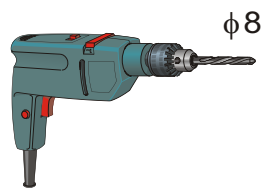
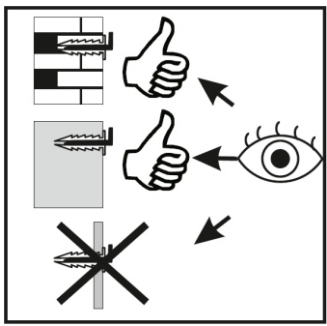
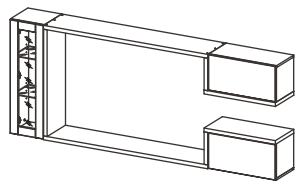
28

G12	
x12	Ø14

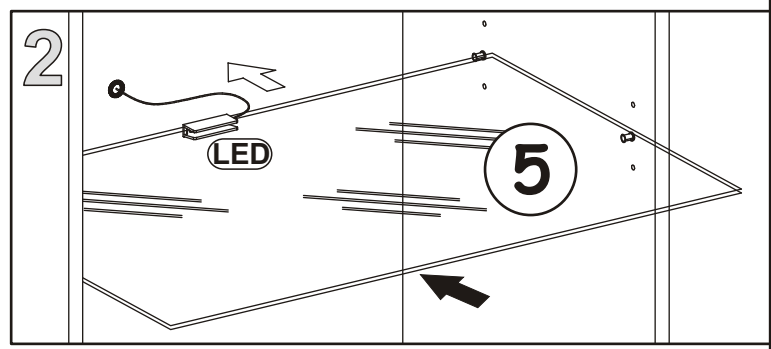
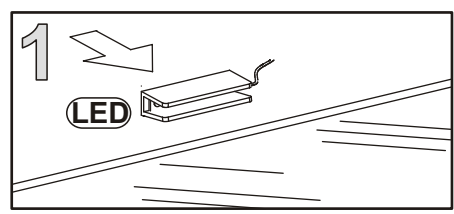
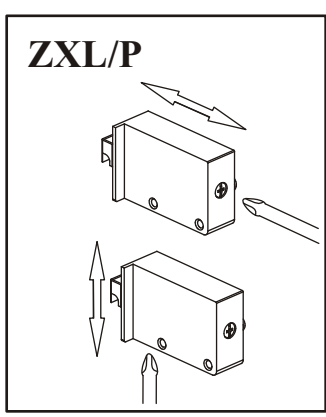
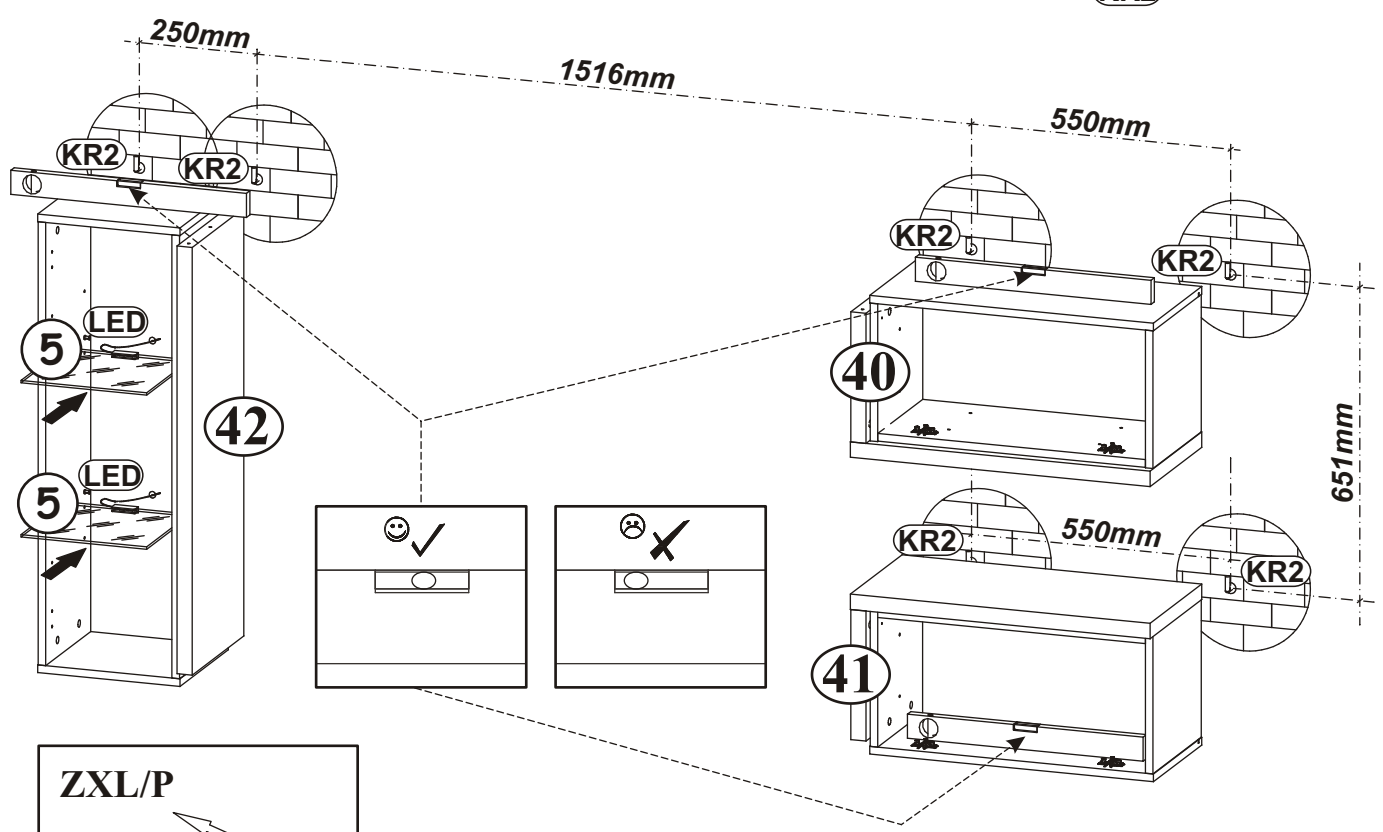
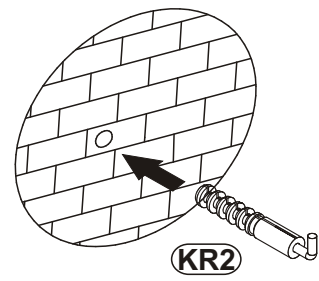
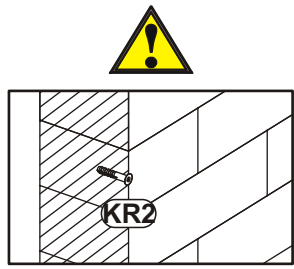
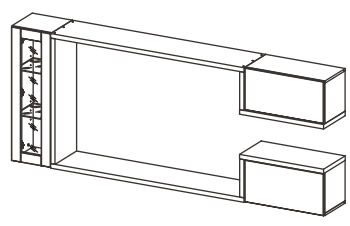
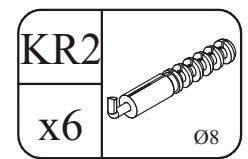
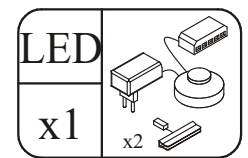
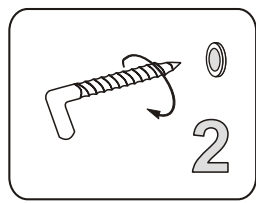
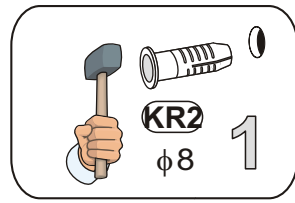
D23	
x12	USØ3,5x35



29



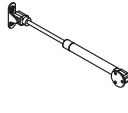


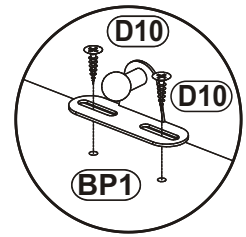
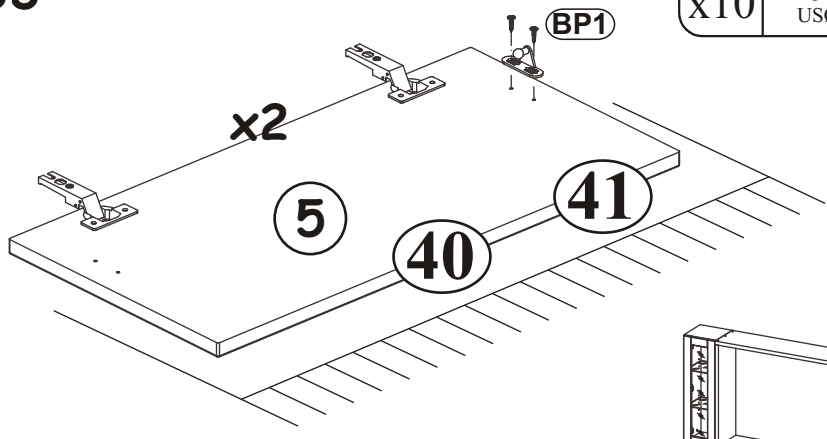
30

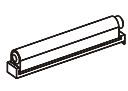


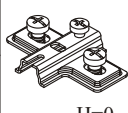


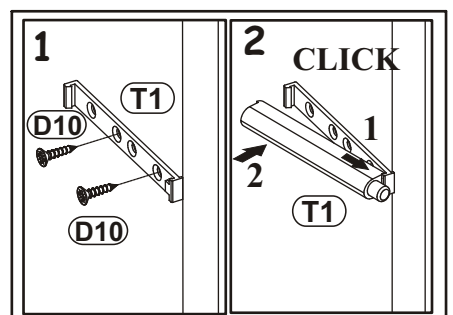
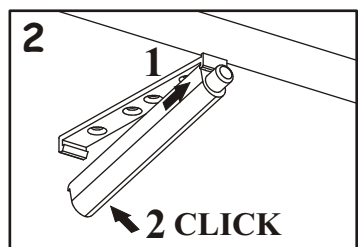
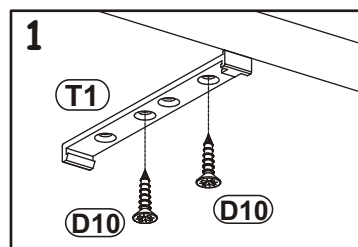
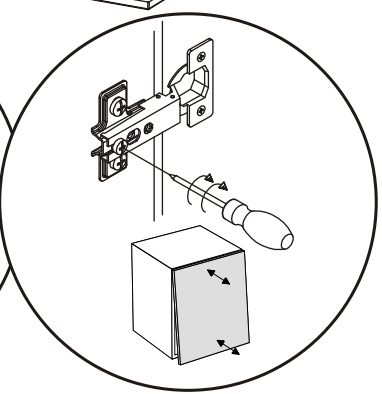
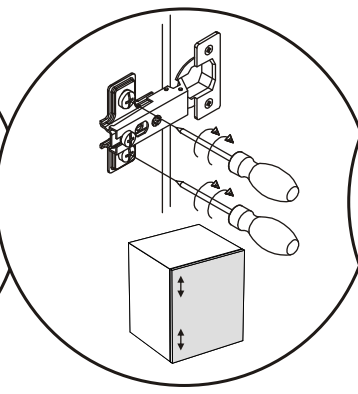
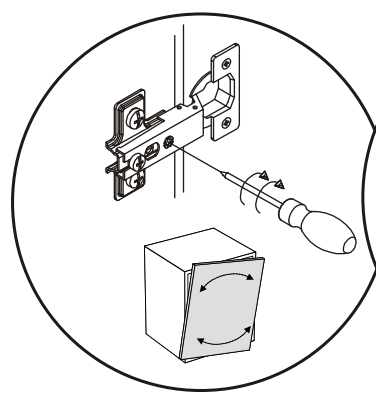
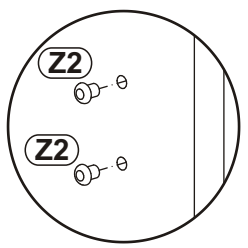
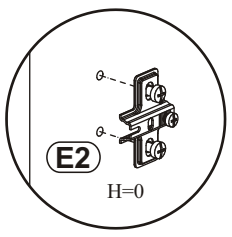
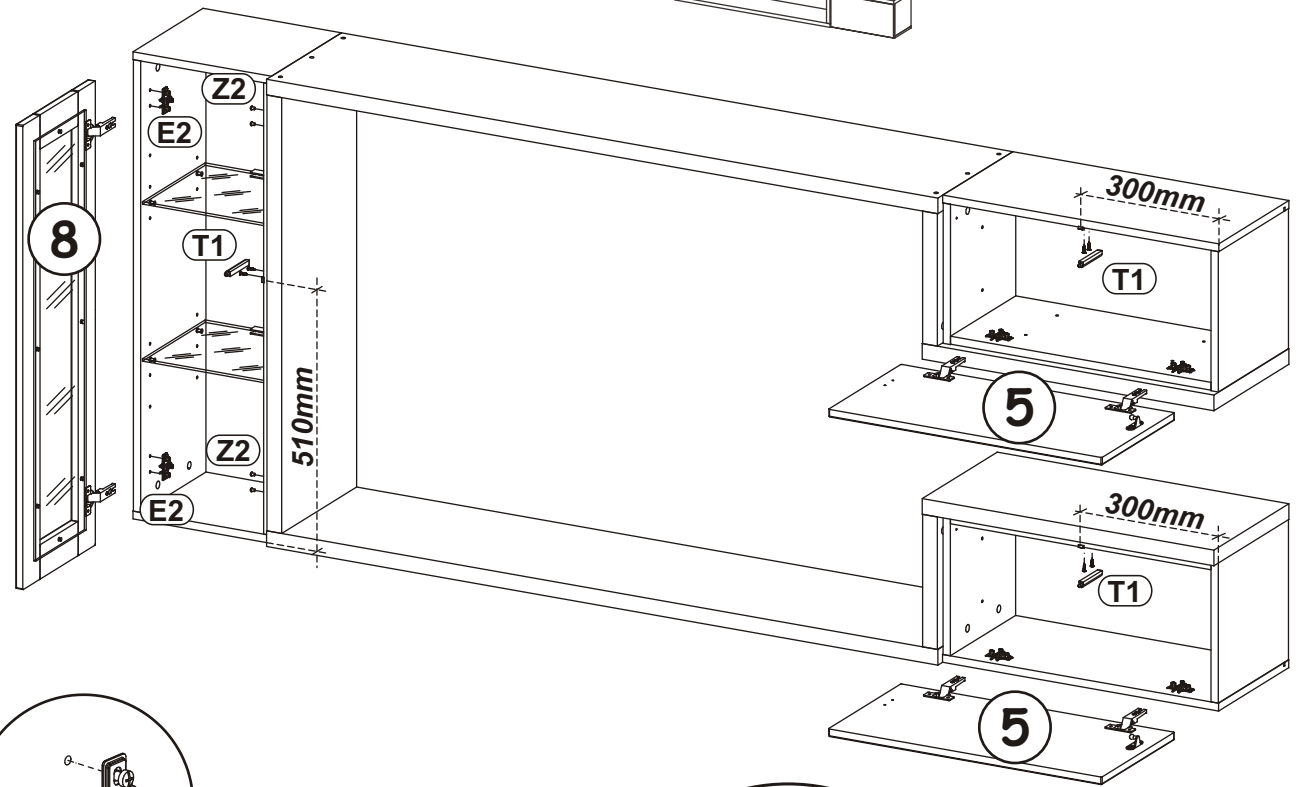
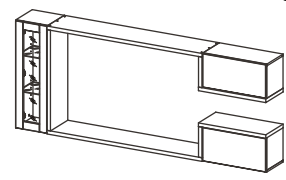
33

D10		Z2		BP1	
x10	USØ3,5x13	x6	Ø5	x2	



T1	
x3	

E2	
x2	H=0



34

