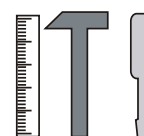
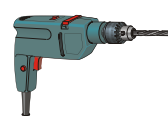
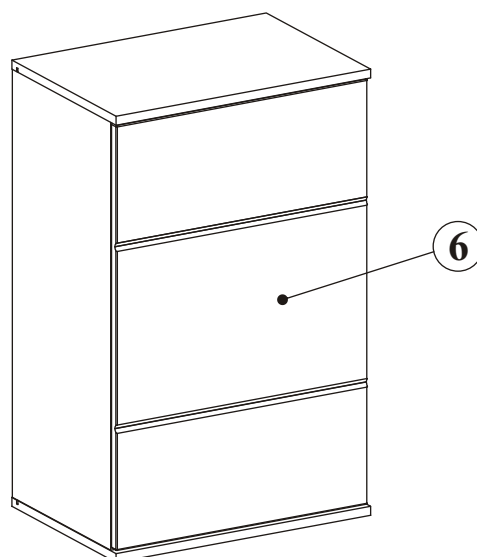
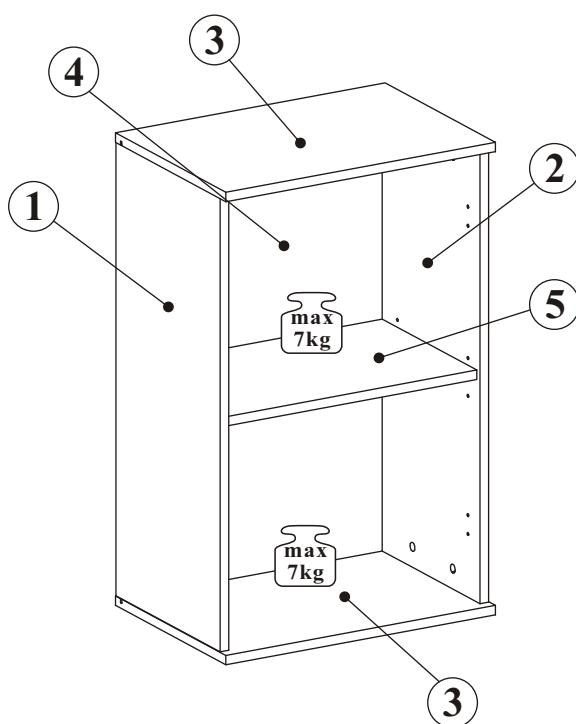
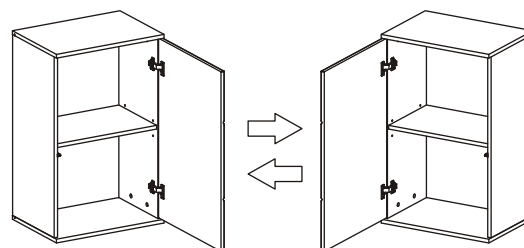
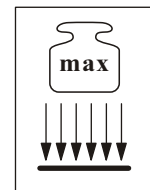
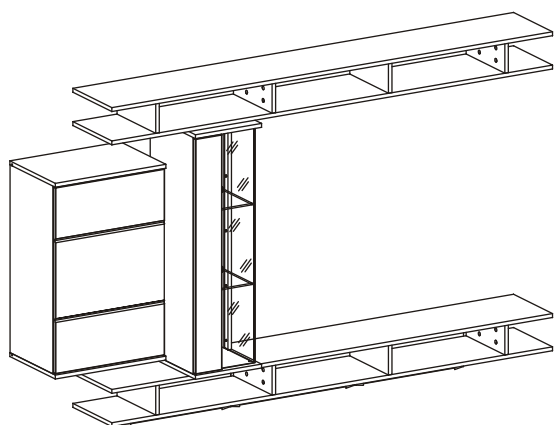


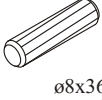
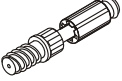


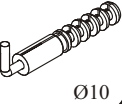
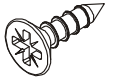
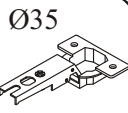
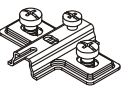
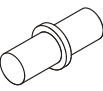
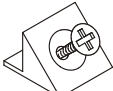
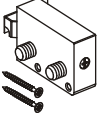
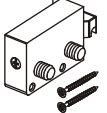



# GAME 20\_GM TYP-10

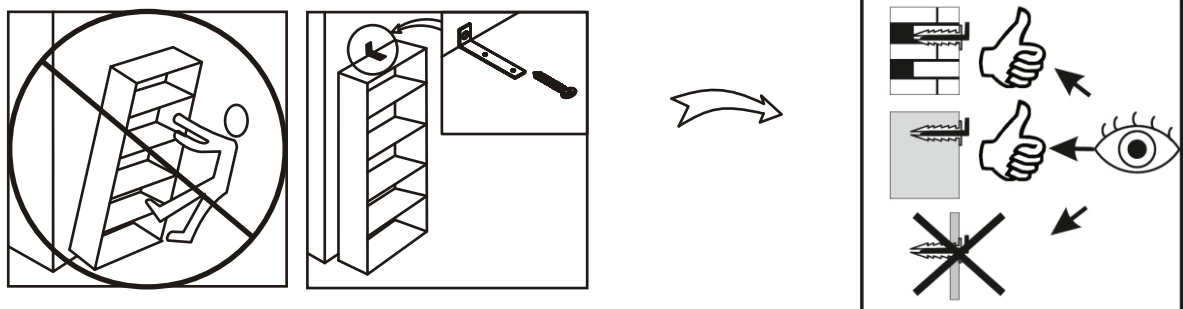
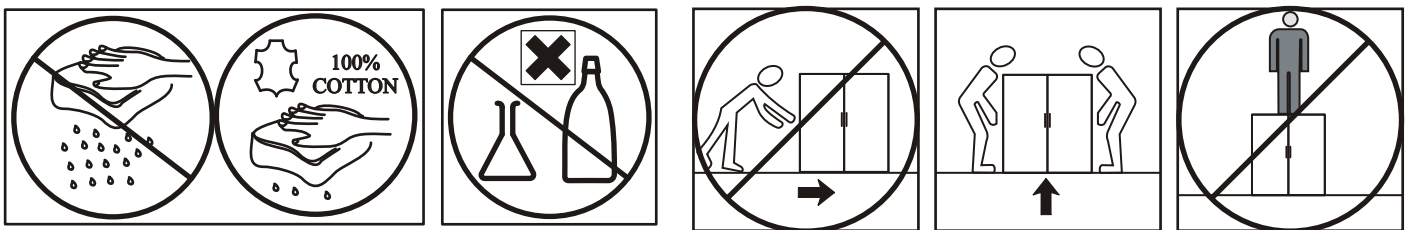
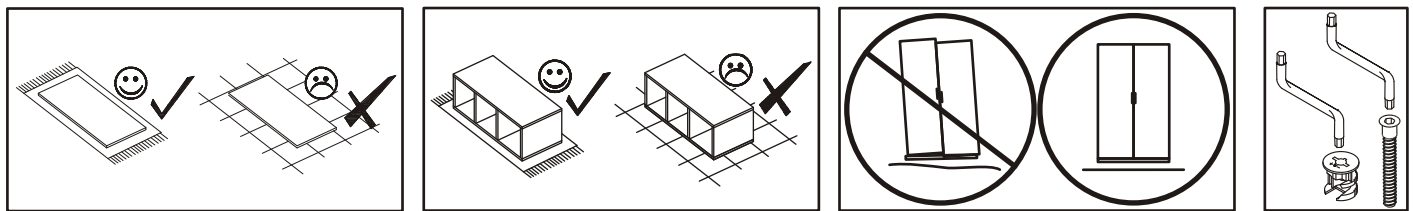
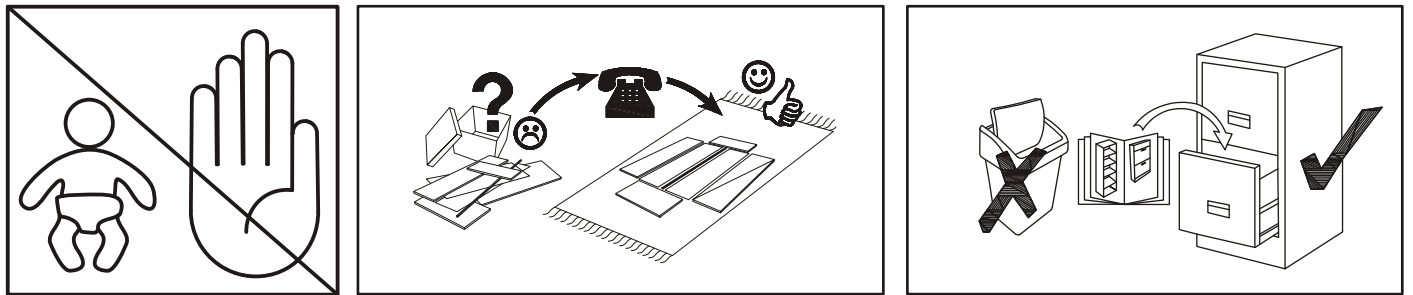
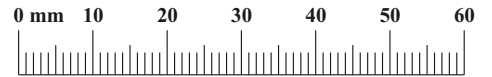


60 min

NO	Dim.			Col.-No	Qty
1	768	330	16	3	1
2	768	330	16	3	1
3	502	350	16	3	2
5	468	300	16	3	1
4	780	480	3	3	1
6	762	496	16	3	1

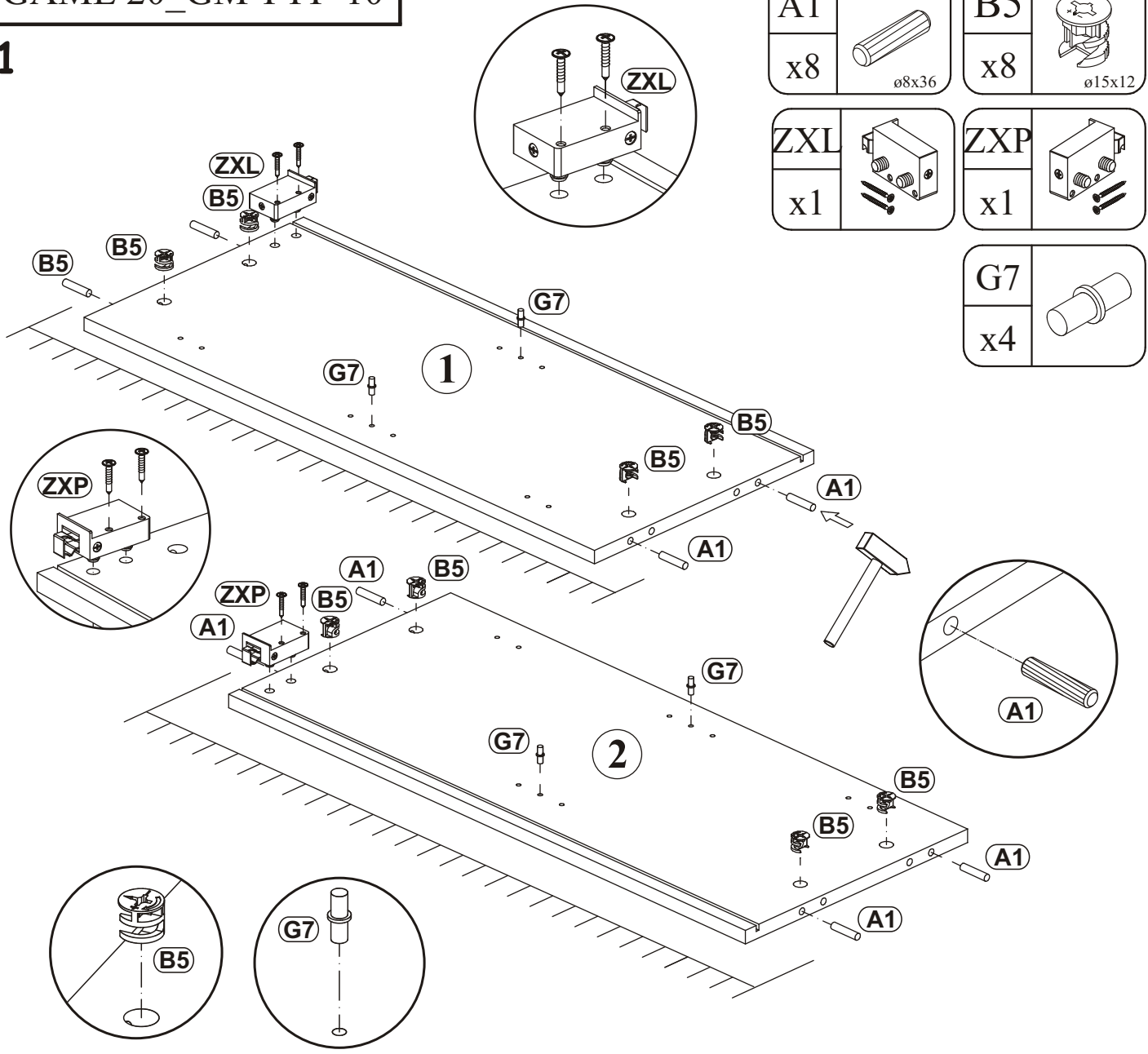
# GAME 20\_GM TYP-10

A1 x8  ø8x36	B4 x8 	B5 x8  ø15x12	G5 x8 	KR3 x2  ø10	D10 x6  USØ3,5x13
E21 x2  H=0	E2 x2  H=0	G7 x4 	S1 x10 	ZXL x1 	ZXP x1 
T1 x1 	G2 x1 	Z2 x4  ø5			



# GAME 20\_GM TYP-10

1



A1	
x8	ø8x36

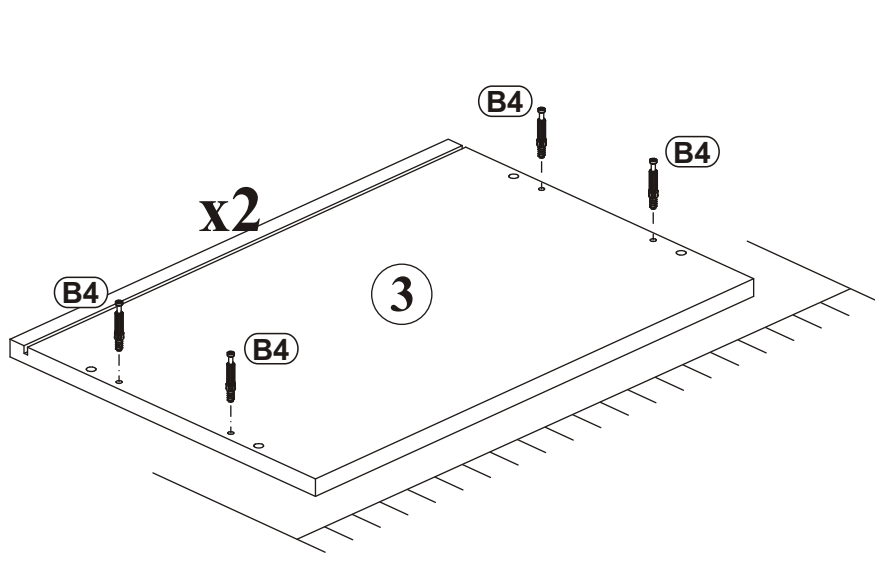
B5	
x8	ø15x12

ZXL	
x1	

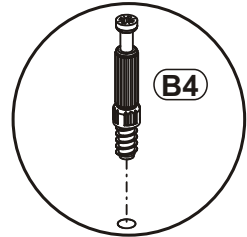
ZXP	
x1	

G7	
x4	

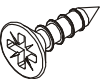
2



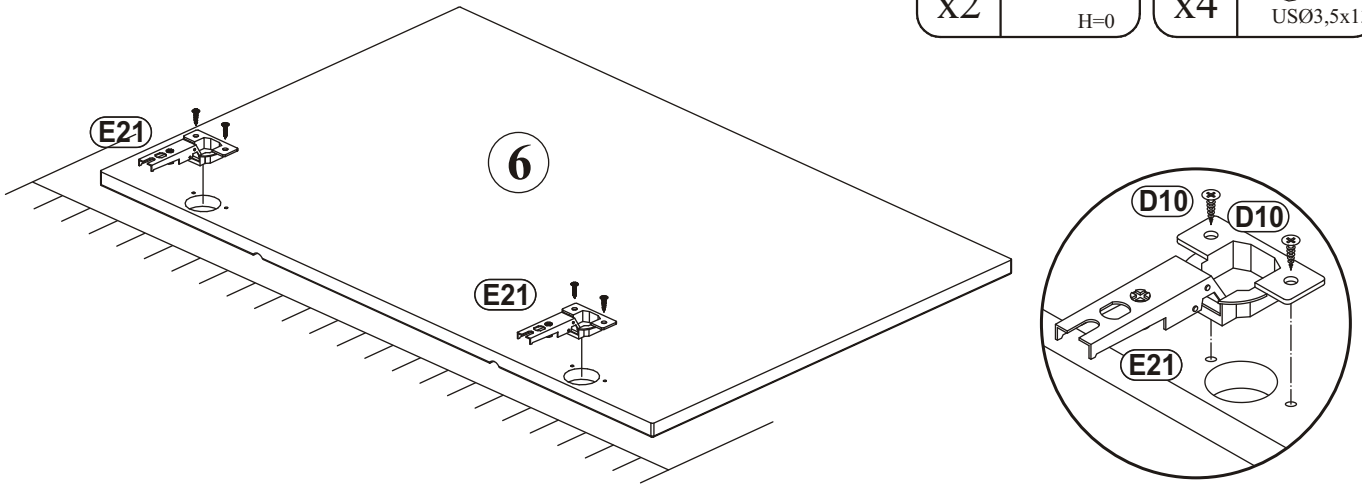
B4	
x8	




# GAME 20\_GM TYP-10

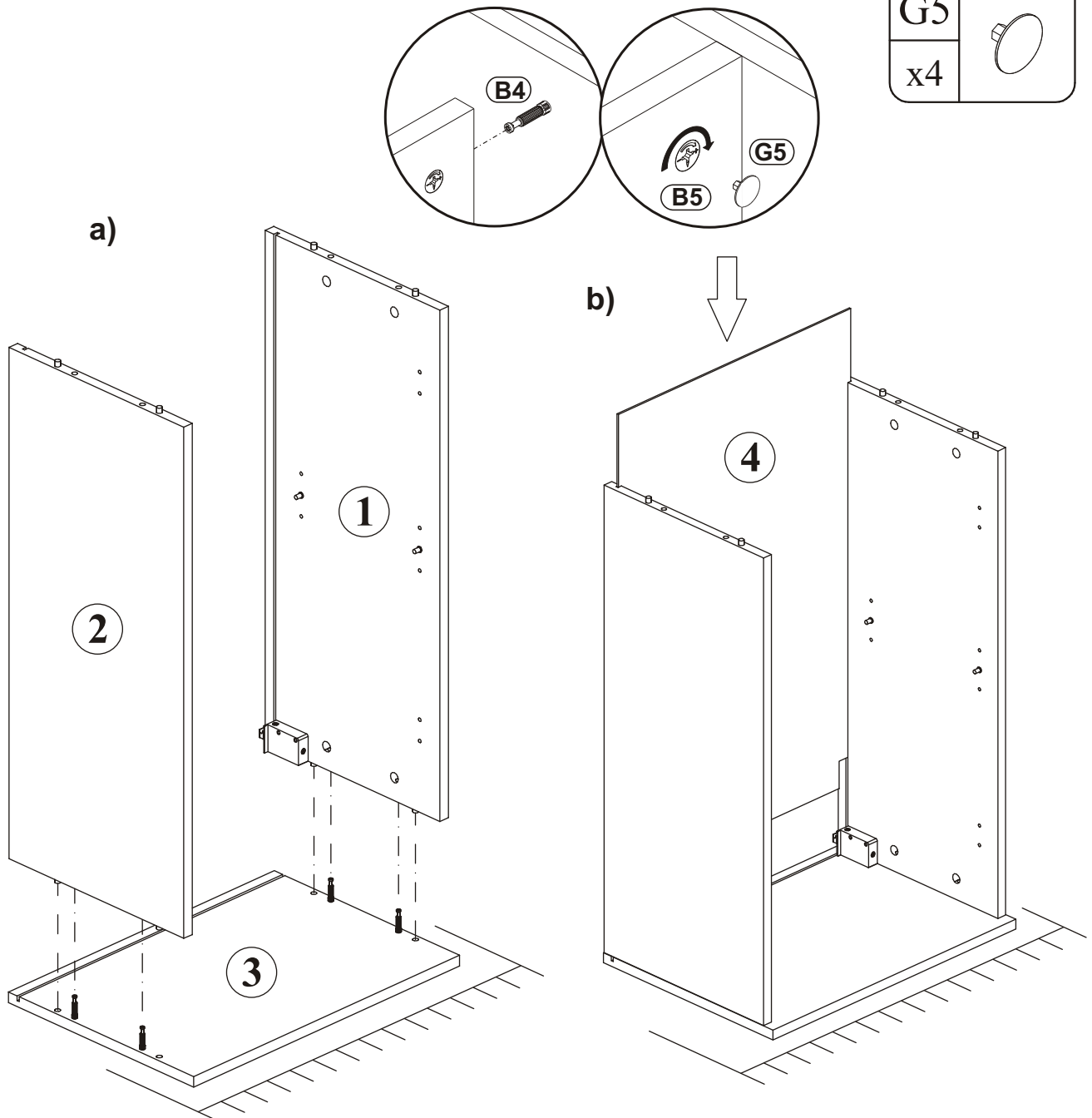
E21	Ø35	D10	 USØ3,5x13
x2	H=0	x4	

3




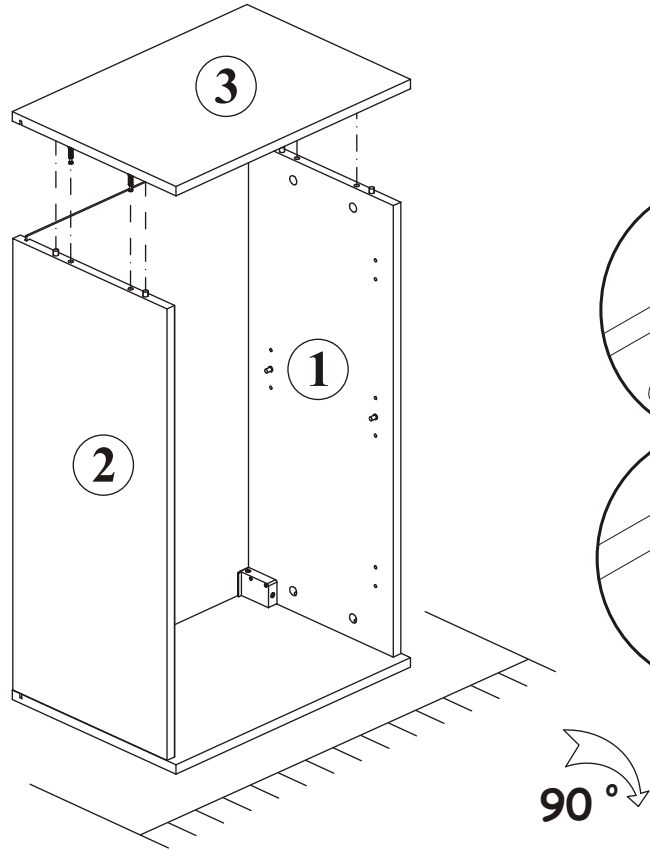
4

G5	
x4	

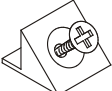


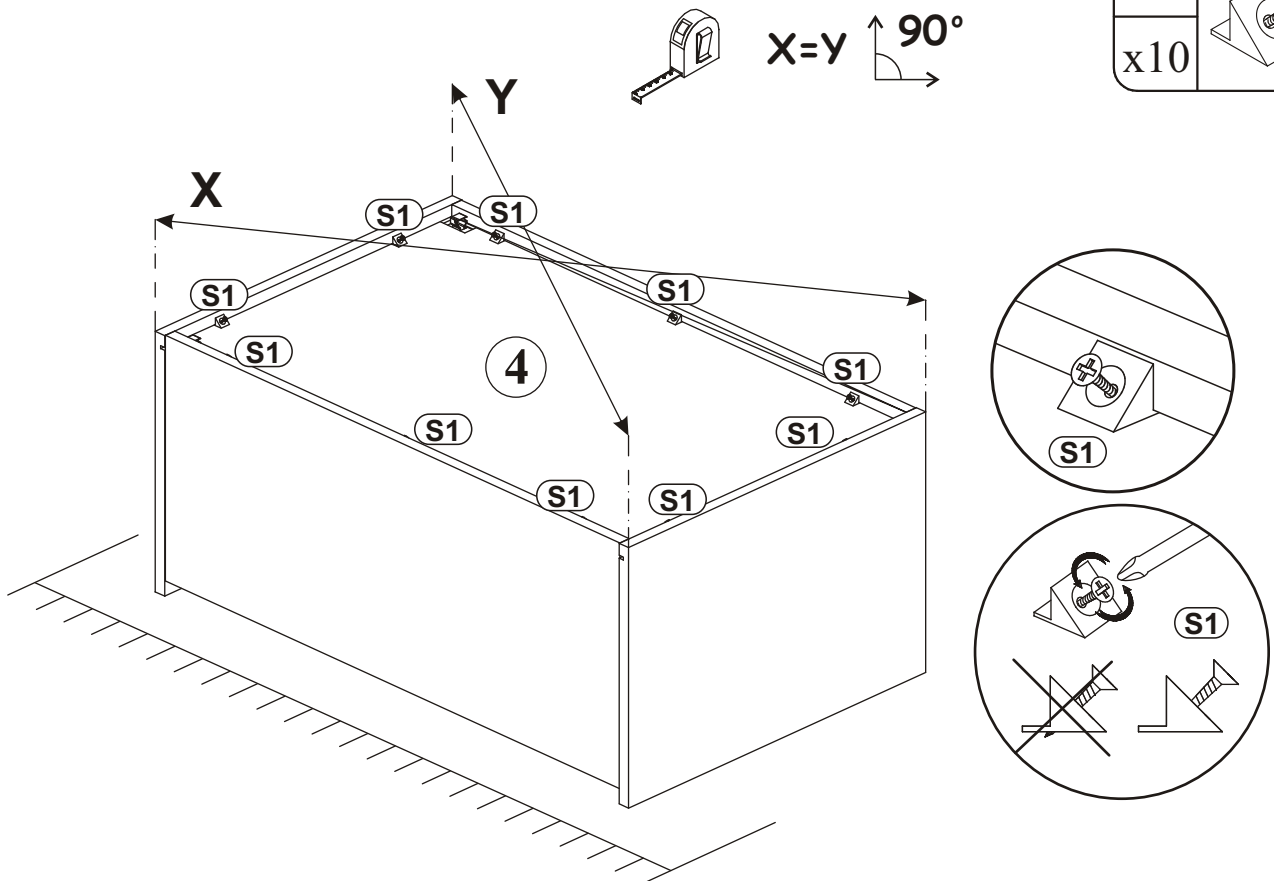
5

G5	
x4	

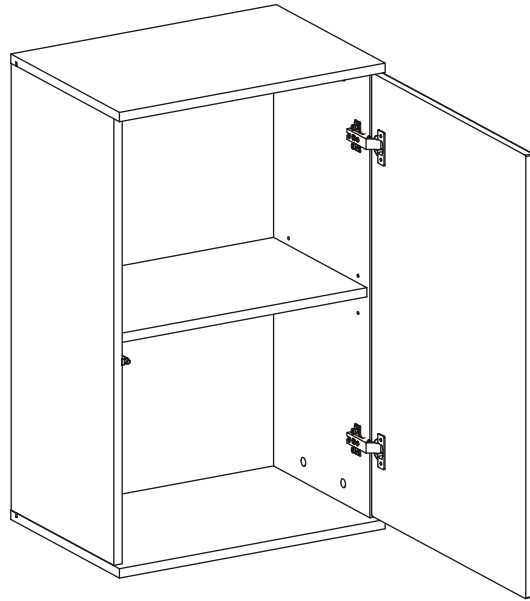
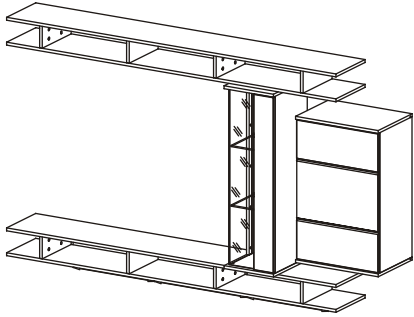


6

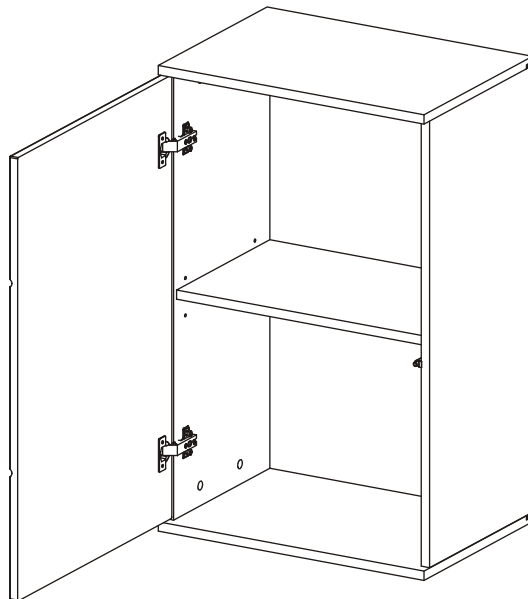
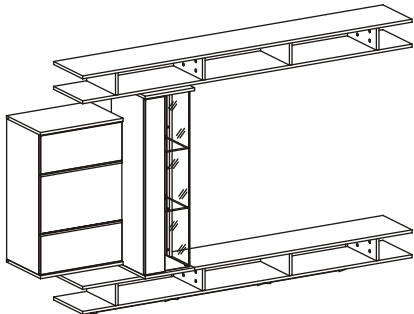
S1	
x10	



7 - 8

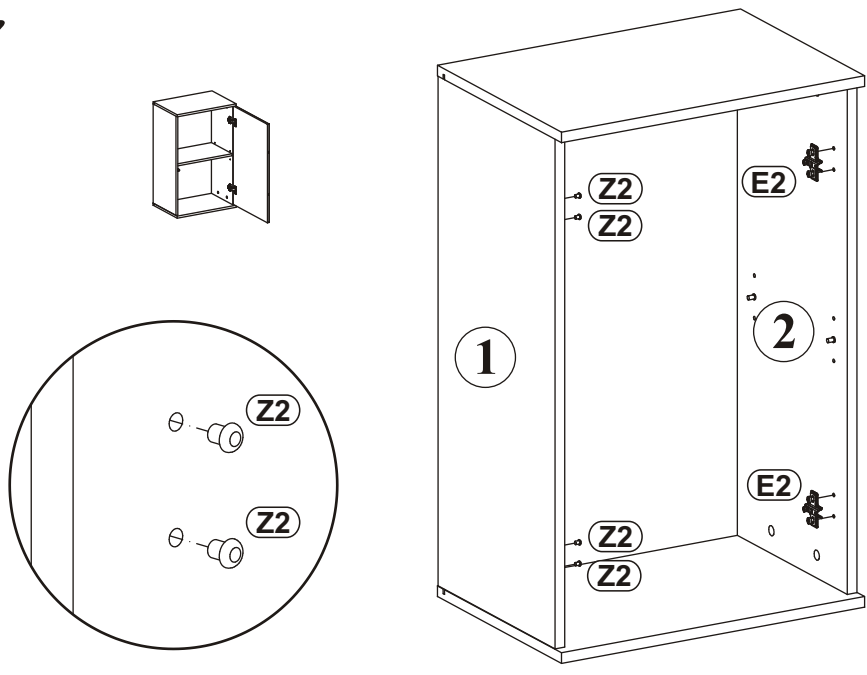



9 - 10

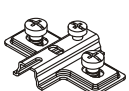


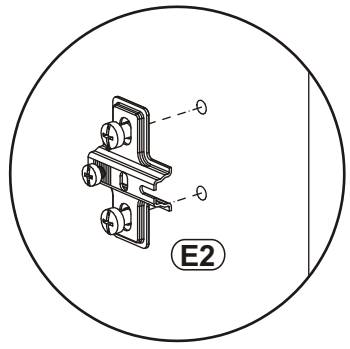
# GAME 20\_GM TYP-10

7

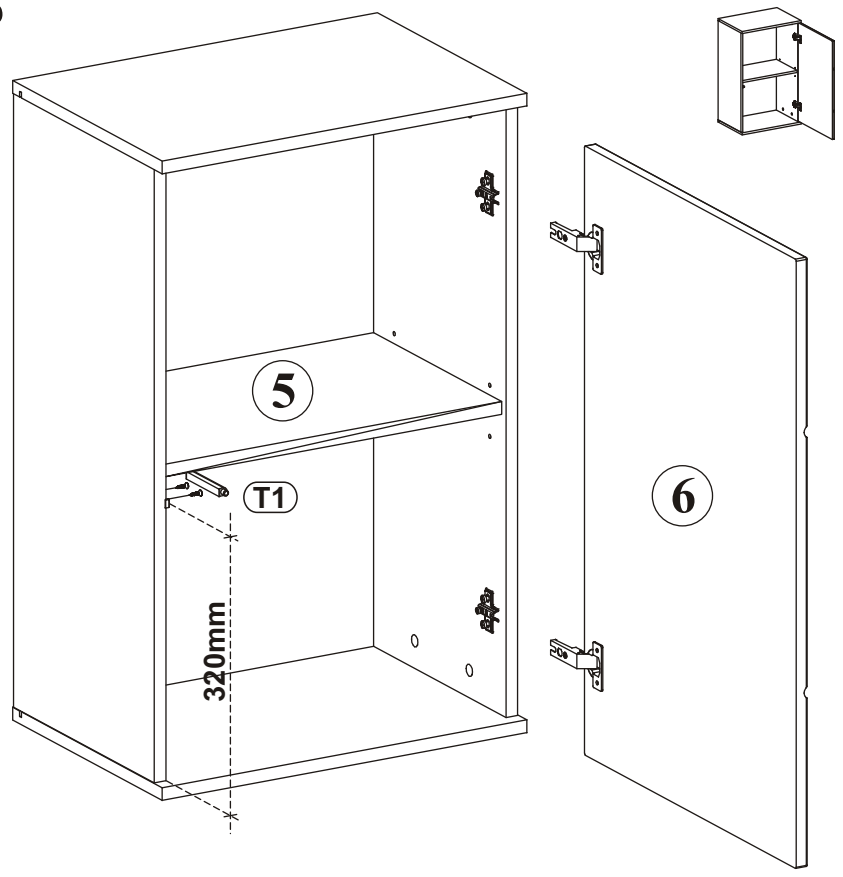



Z2	
x4	Ø5

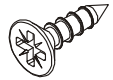
E2	
x2	H=0

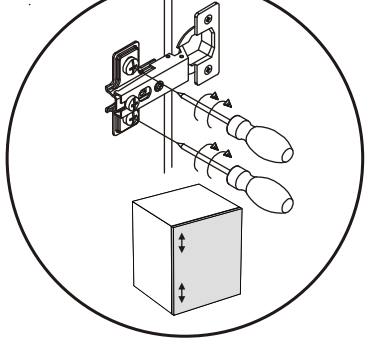
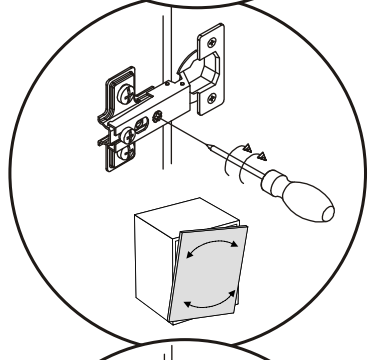
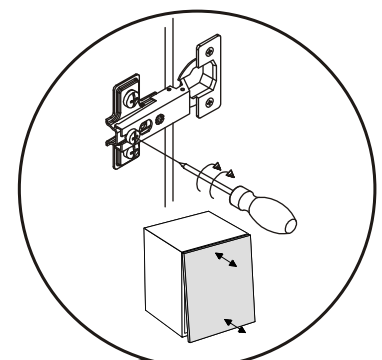


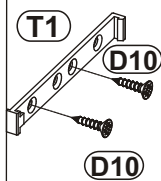
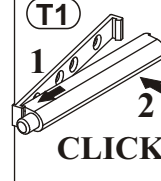
8



T1	
x1	

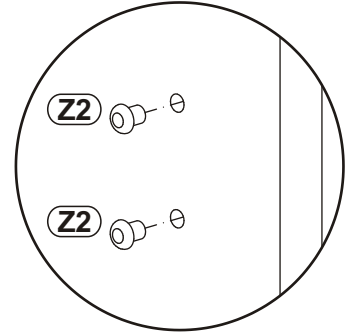
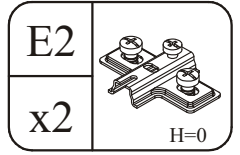
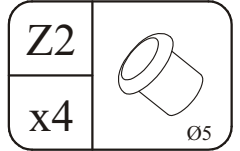
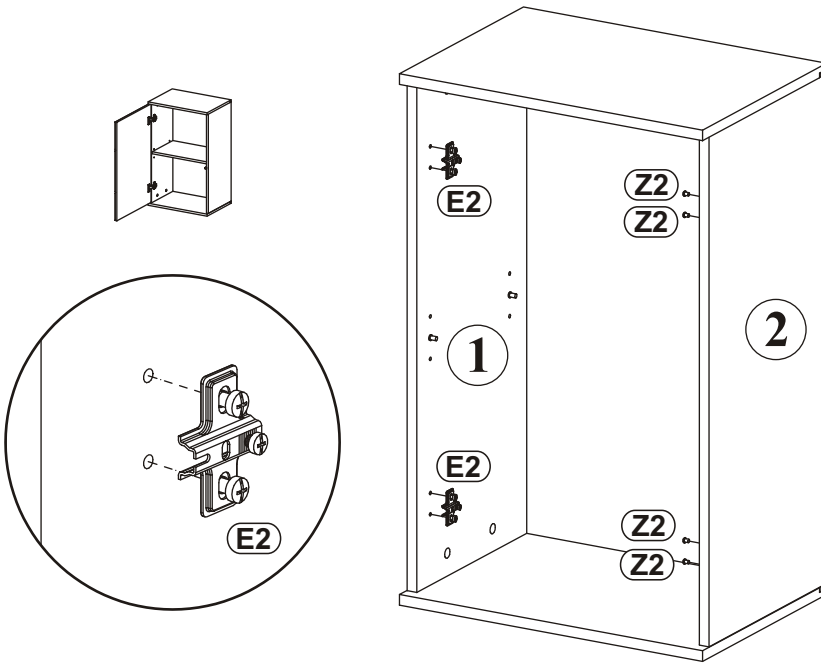
D10	
x2	USØ3,5x13



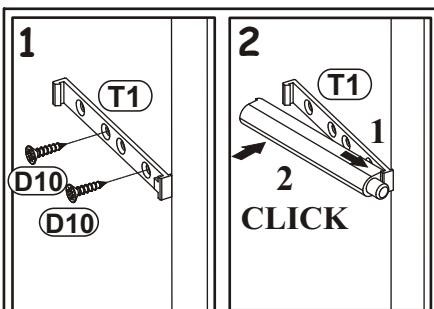
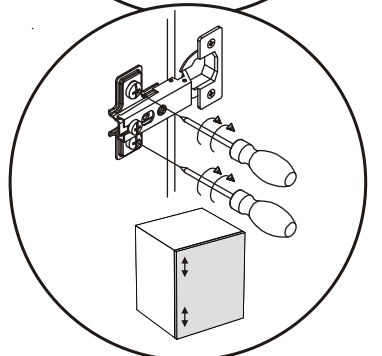
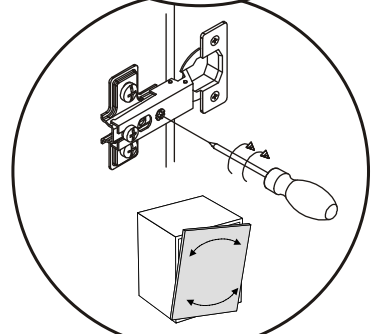
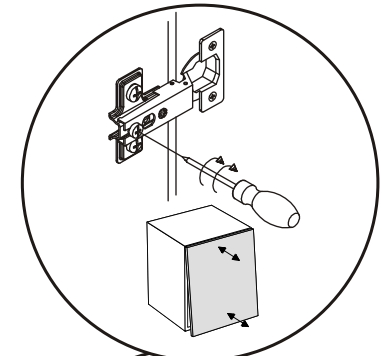
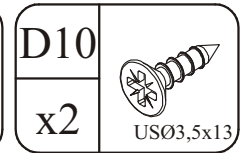
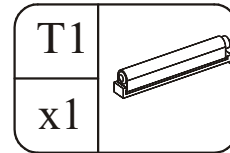
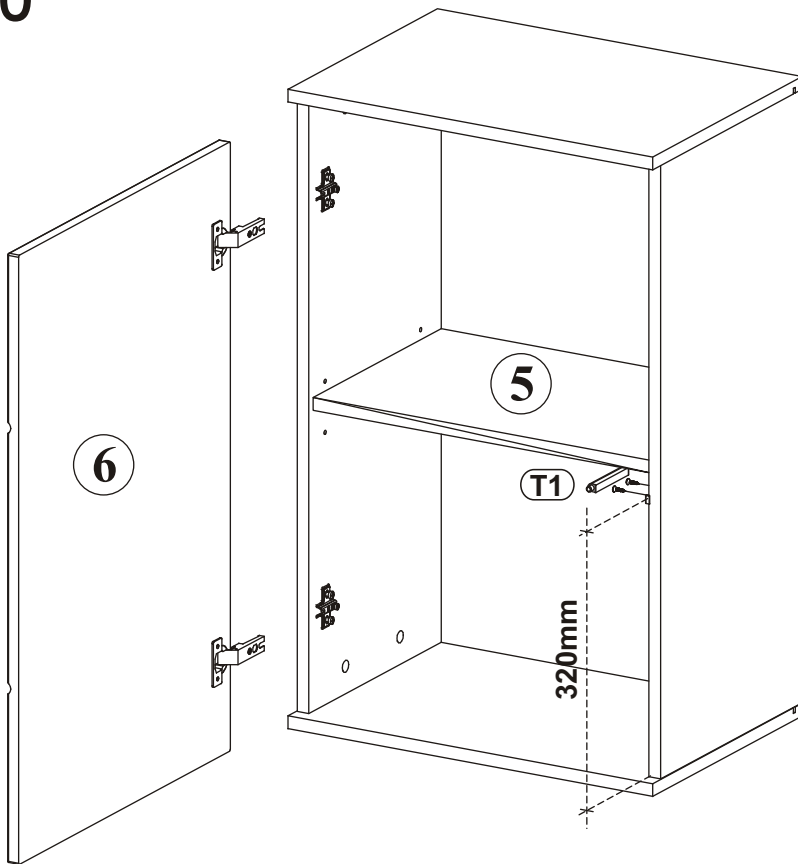
1	
2	

# GAME 20\_GM TYP-10

9

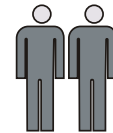
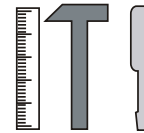
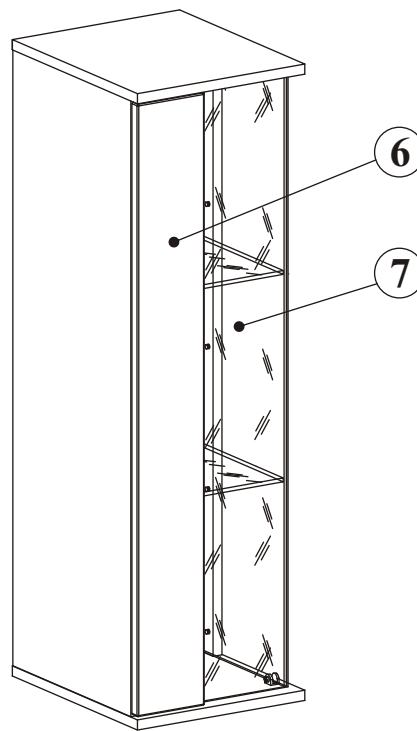
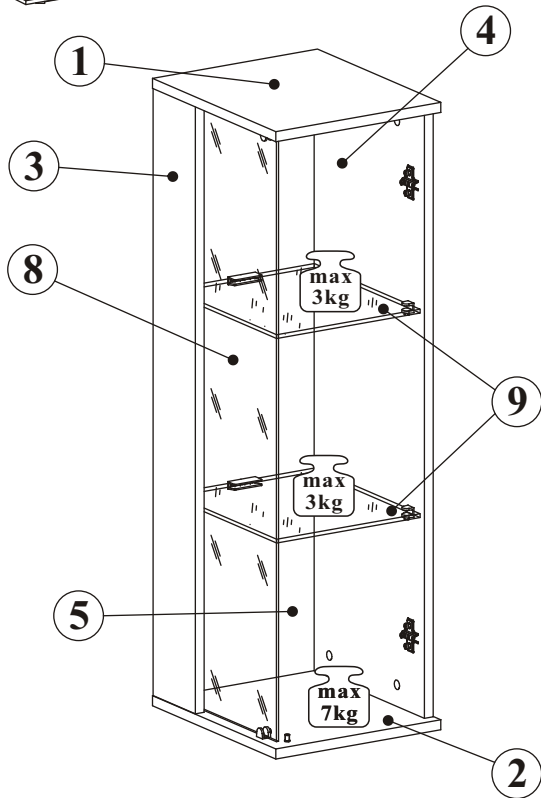
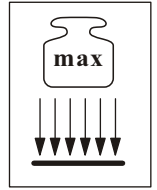
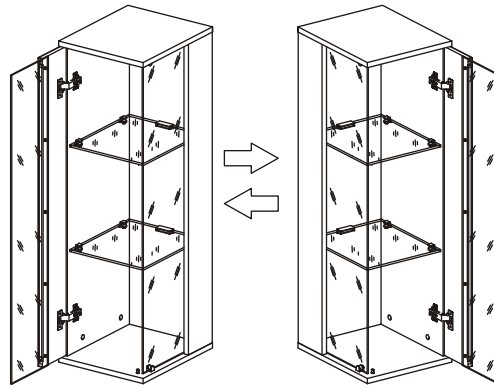
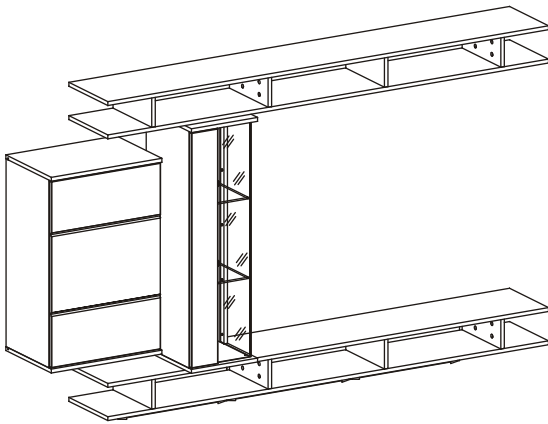


10





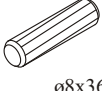
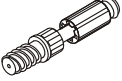


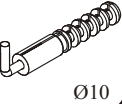
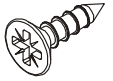
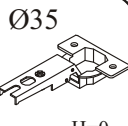
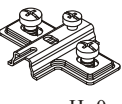

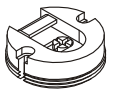
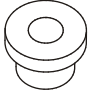

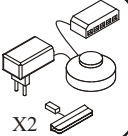


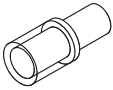
# GAME 20\_GM TYP-11

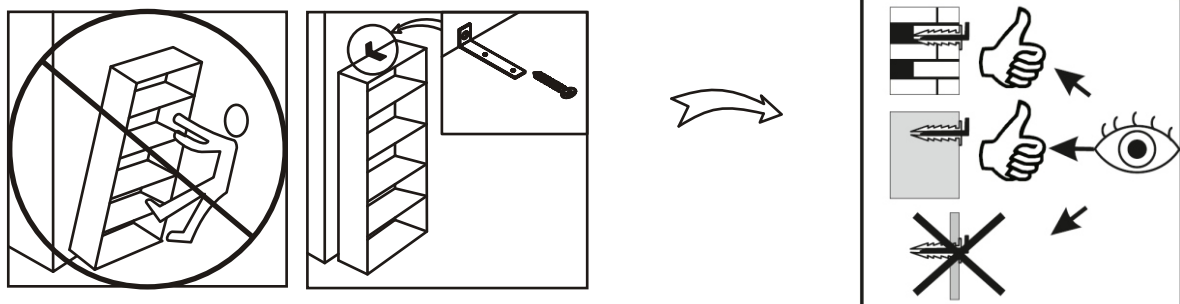
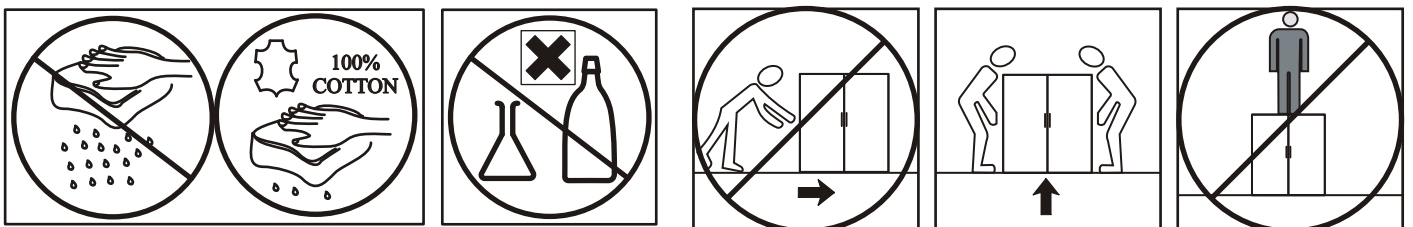
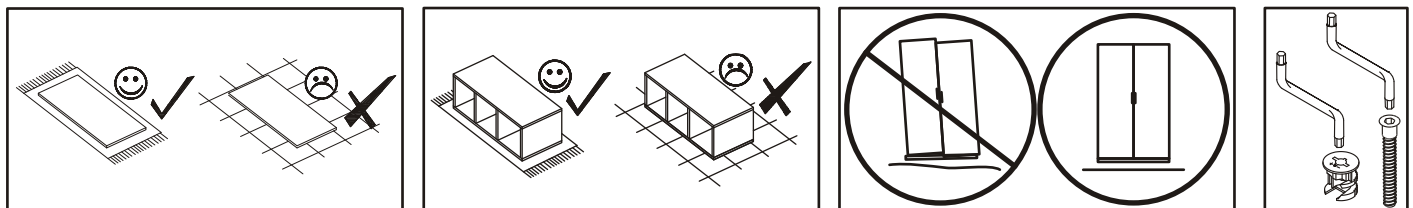
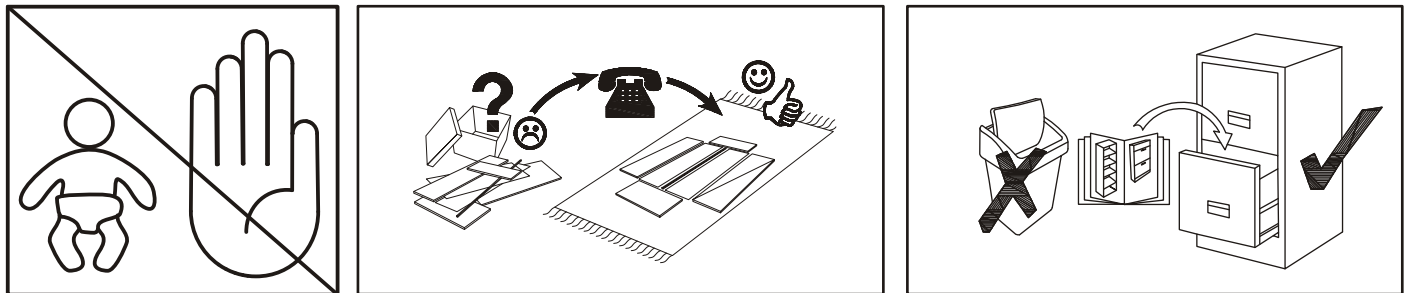
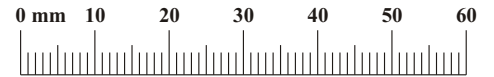


90 min

NO	Dim.			Col.-No	Qty
3	968	330	16	2	1
4	968	120	16	2	1
1	300	350	16	2	1
2	300	350	16	2	1
6	120	962	16	2	1
5	266	968	16	2	1
7	962	185	4	2	1
8	962	230	4	2	1
9	258	300	6	2	2

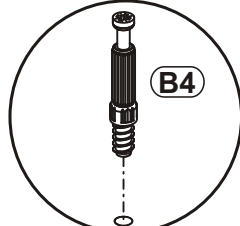
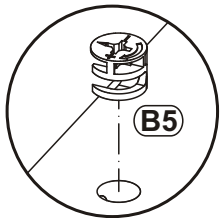
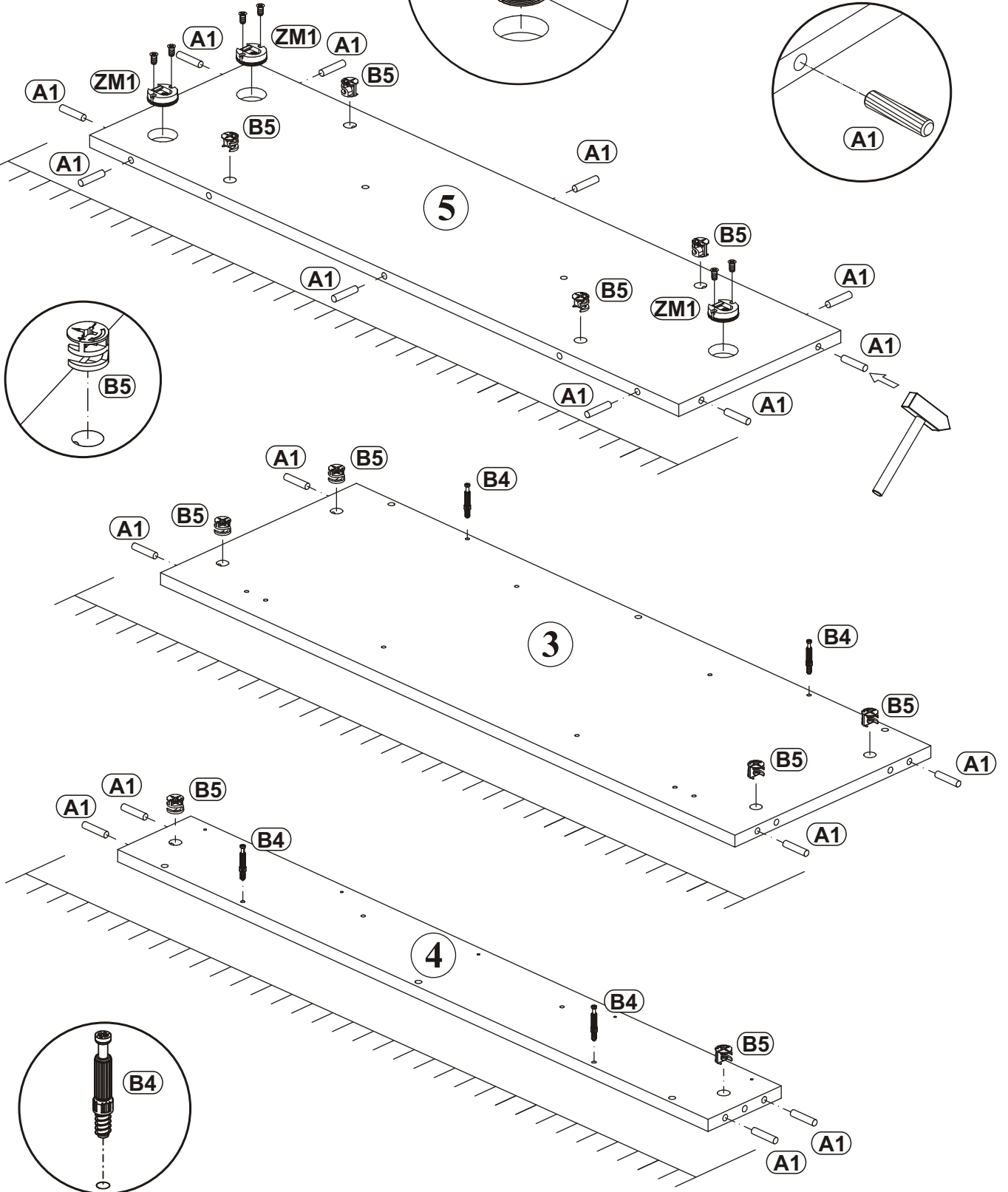
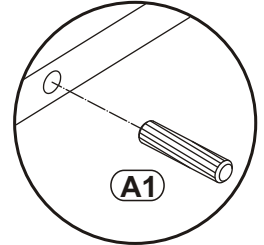
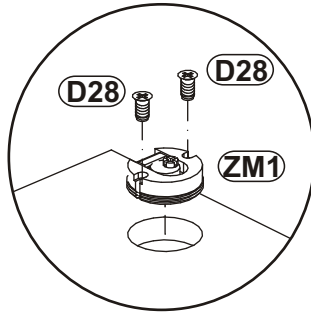
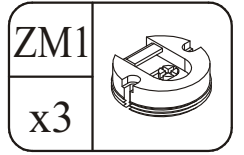
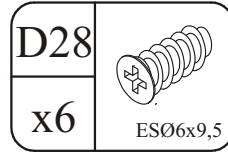
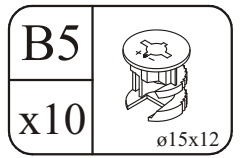
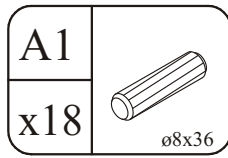
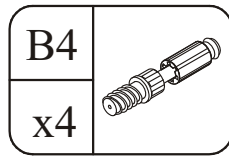
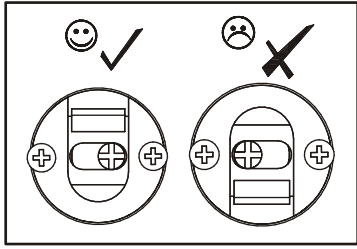
# GAME 20\_GM TYP-11

A1 x18  ø8x36	B4 x10 	B5 x10  ø15x12	G5 x10 	KR3 x3  ø10	D10 x4  USØ3,5x13
E21 x2  Ø35 H=0	E2 x2  H=0	D28 x6  ESØ6x9,5	ZM1 x3 	P2 x10 	UP13 x10  UPØ3x16
LED x1  x2	G2 x1 	G30 x8 	G20 x2 		




# GAME 20\_GM TYP-11

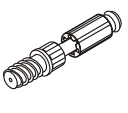
1

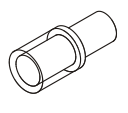


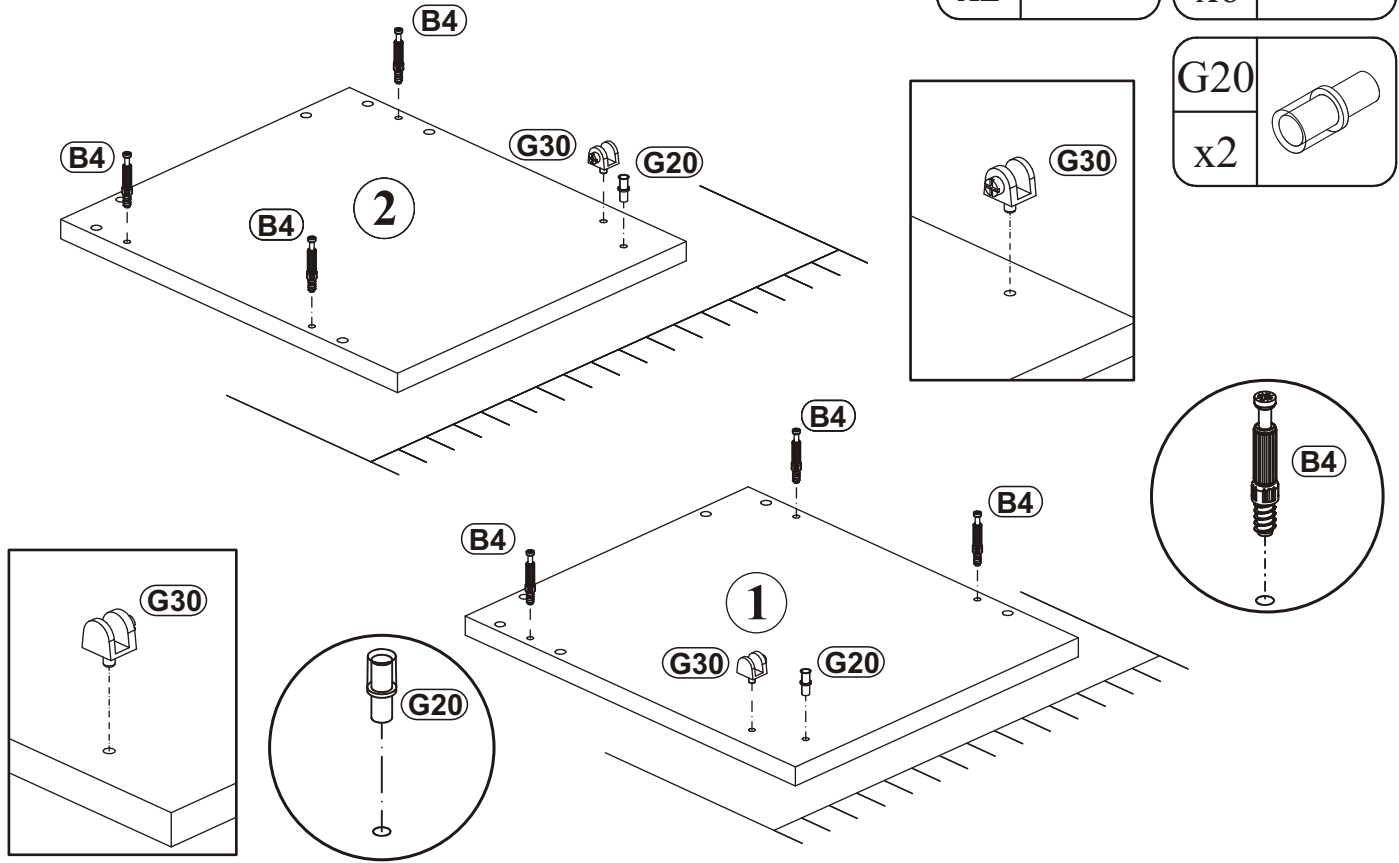
# GAME 20\_GM TYP-11

## 2


G30	
x2	


B4	
x6	

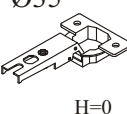
G20	
x2	




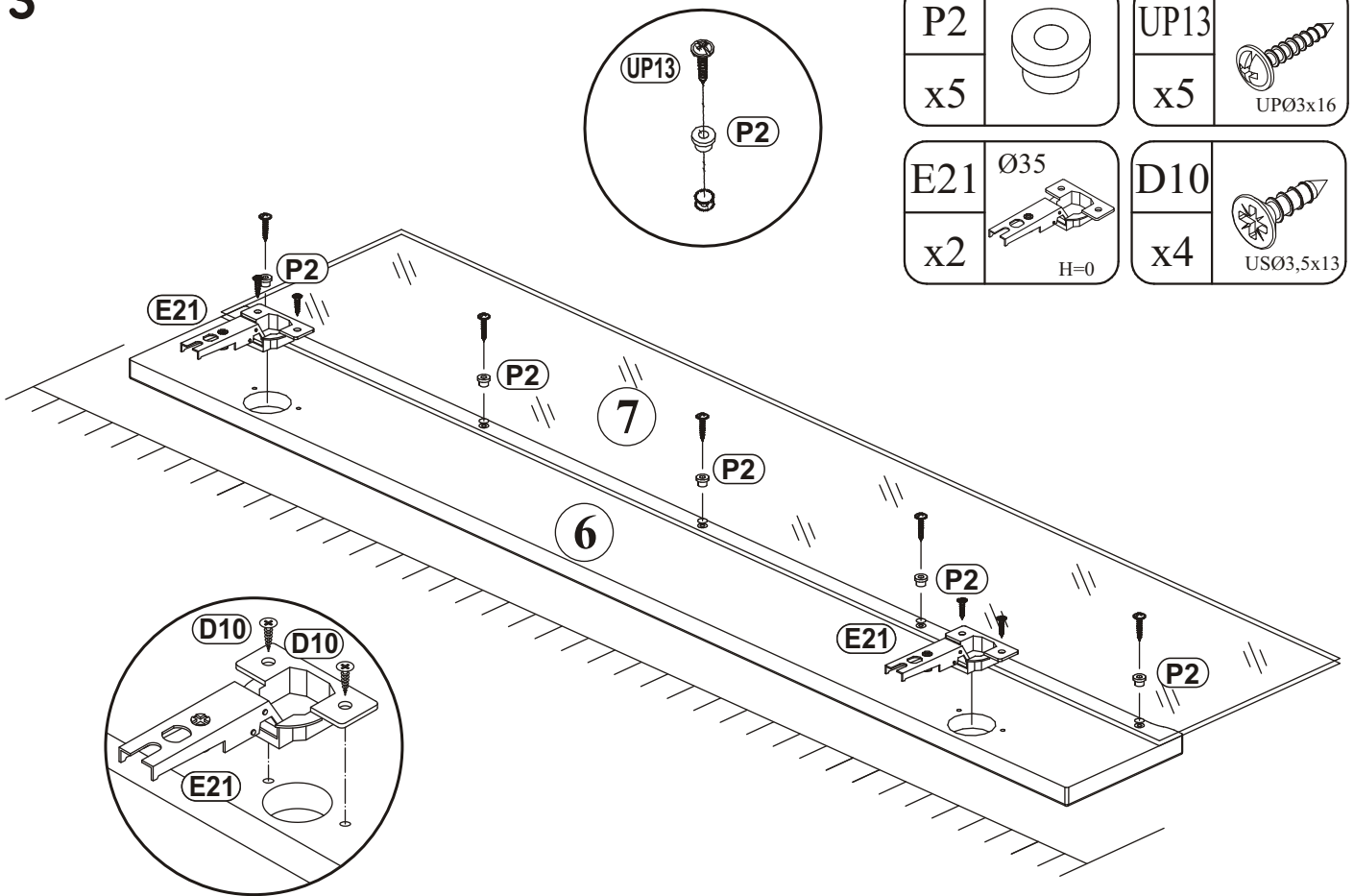
## 3

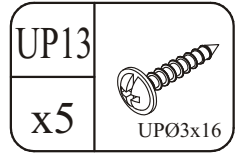
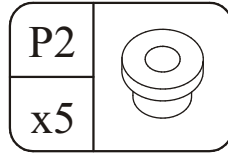
P2	
x5	

UP13	
x5	UPØ3x16

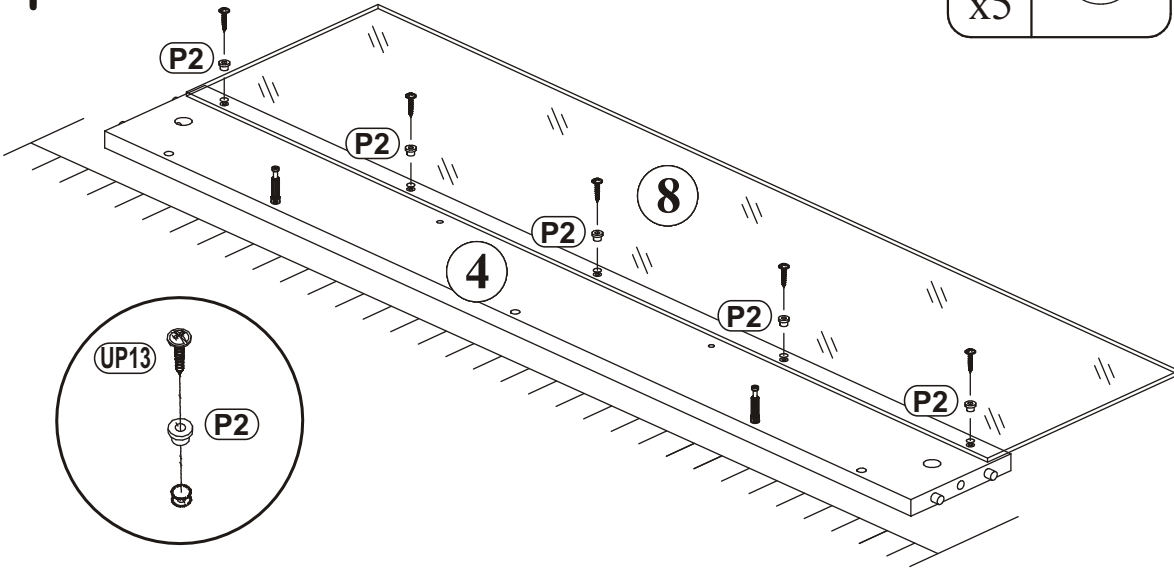
E21	Ø35 
x2	H=0

D10	
x4	USØ3,5x13

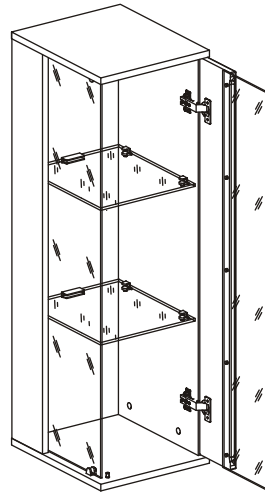
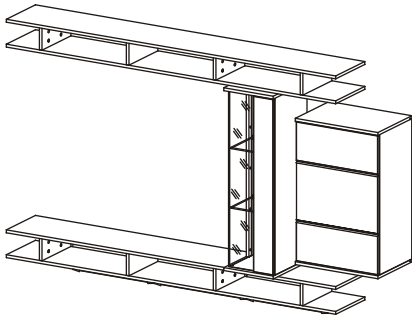




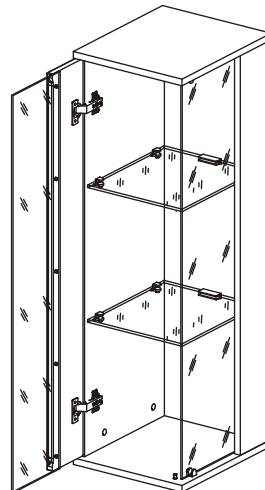
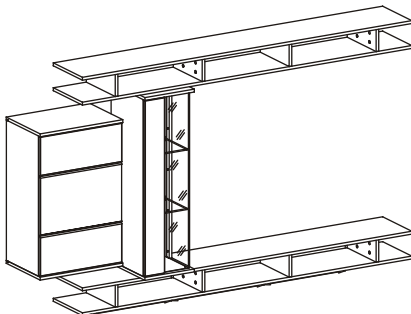
4



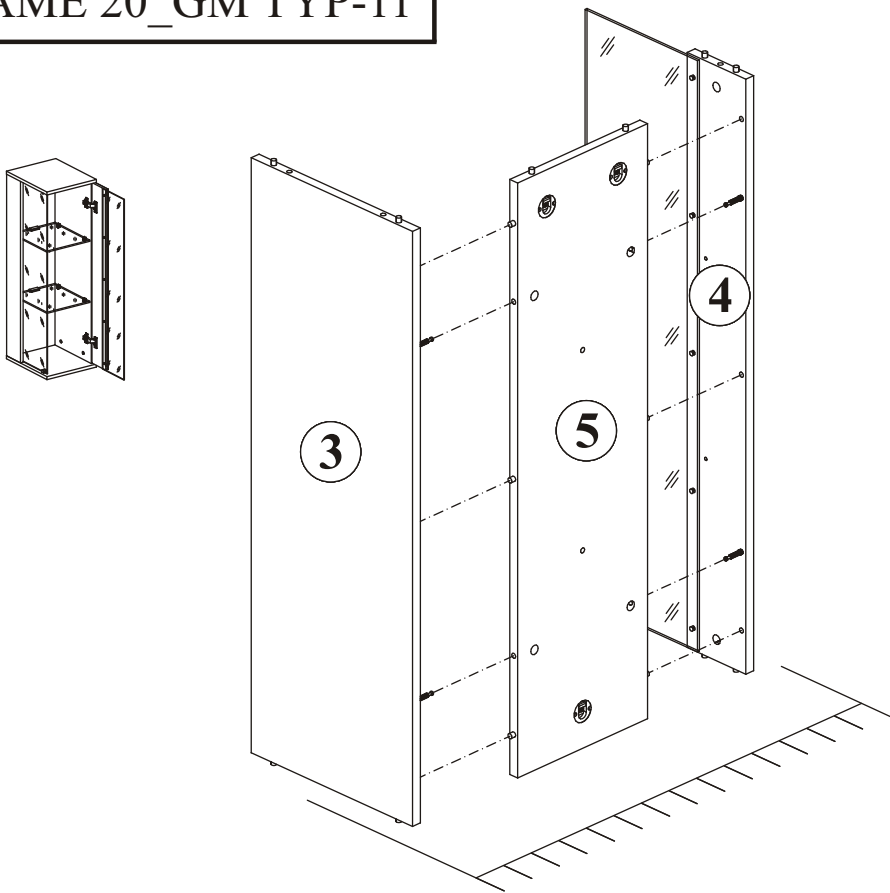
5 - 9




10 - 14



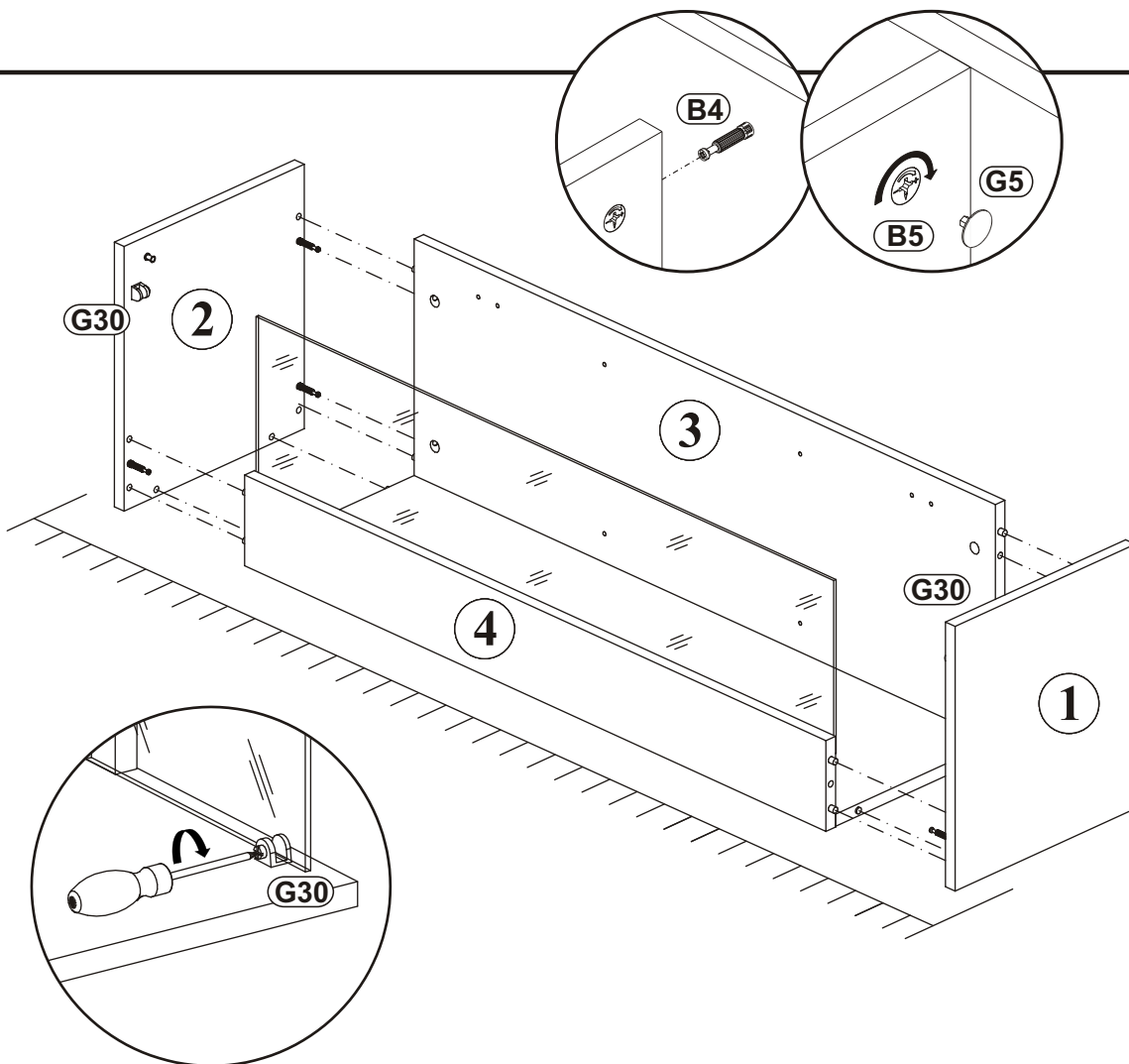
5




G5	
x4	

90°

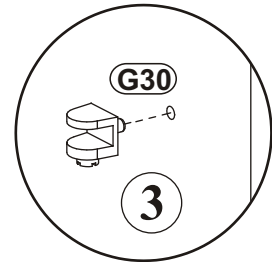
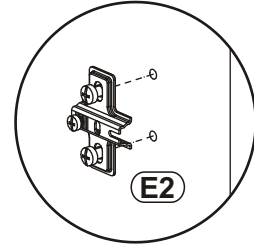
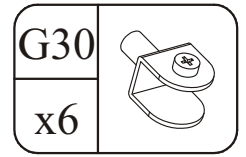
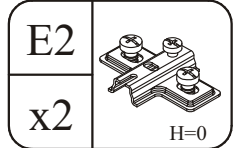
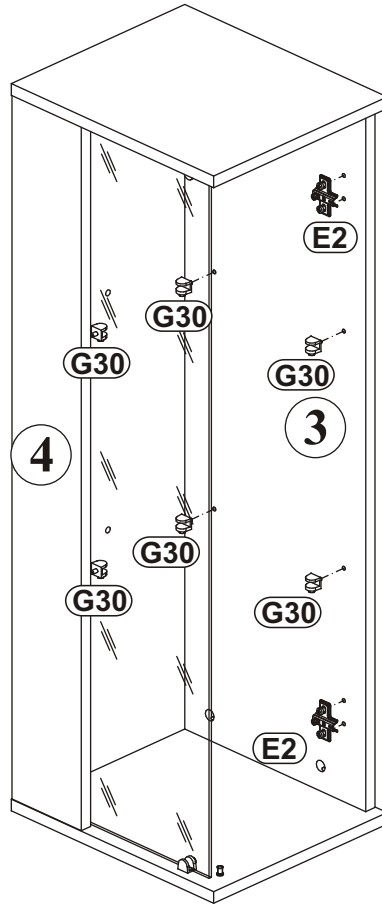
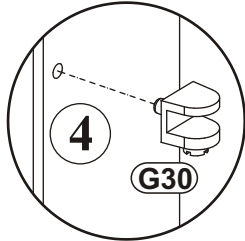
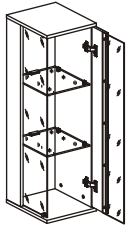
6



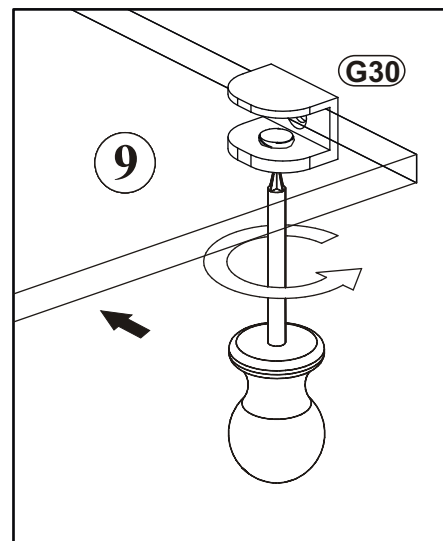
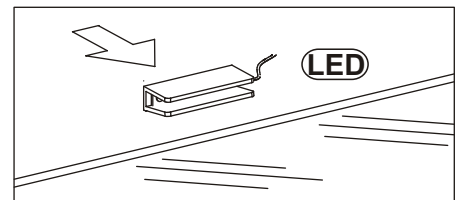
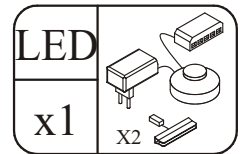
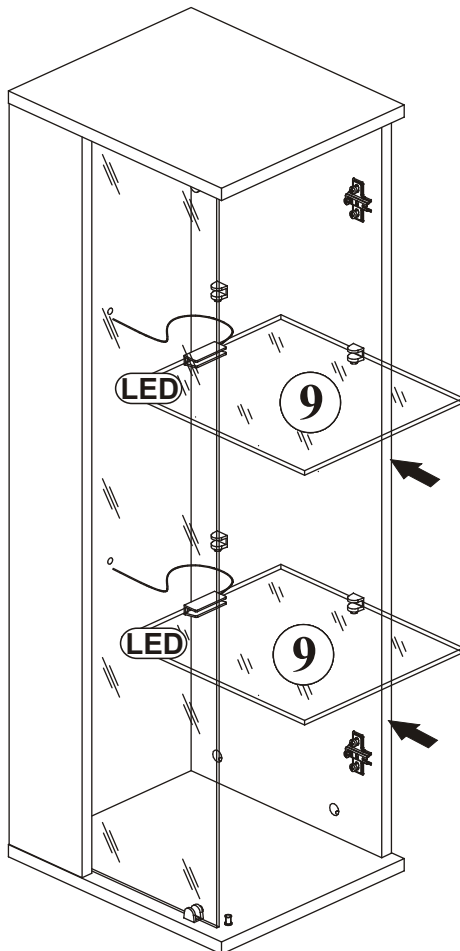
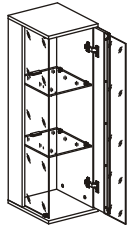
G5	
x6	

# GAME 20\_GM TYP-11

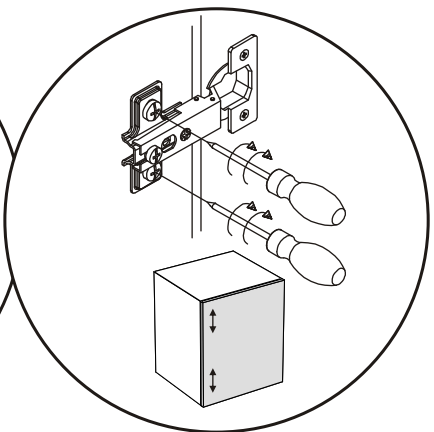
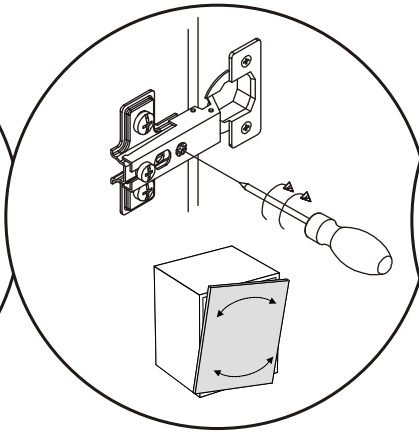
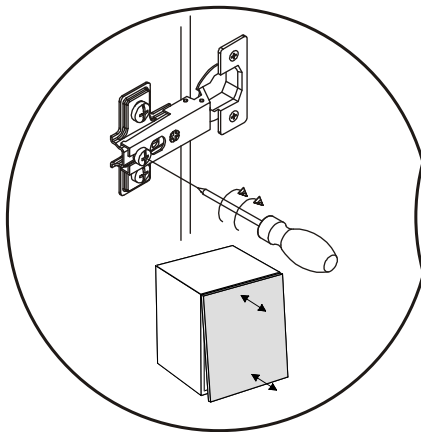
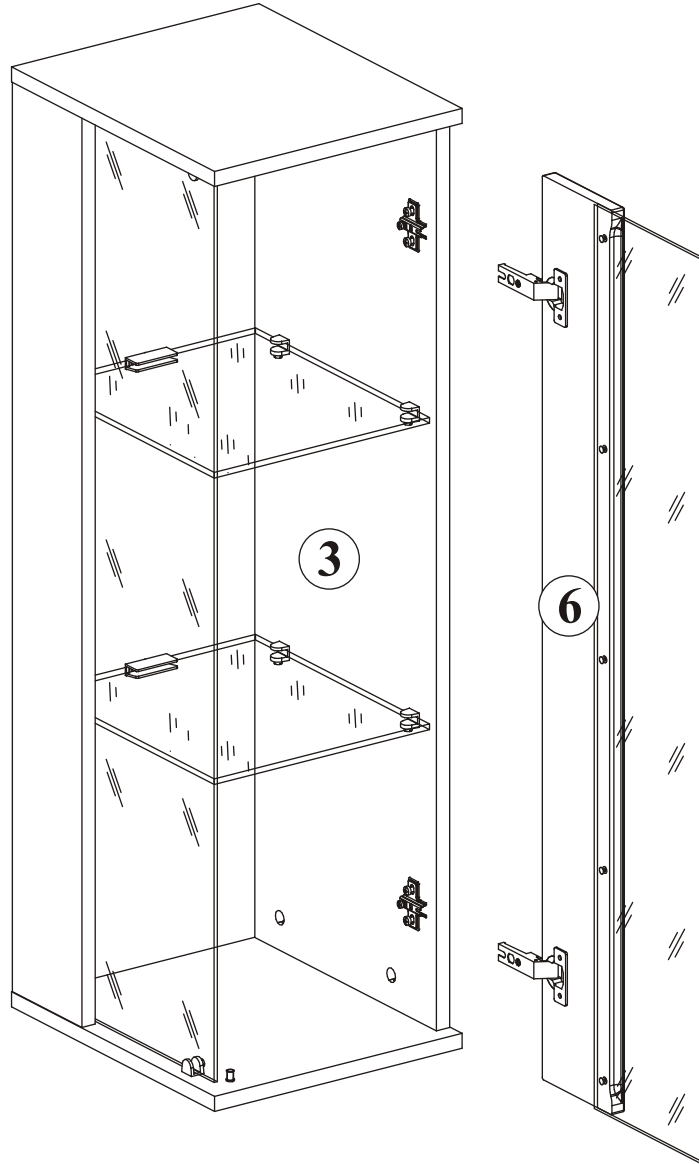
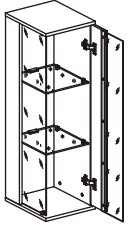
7



8




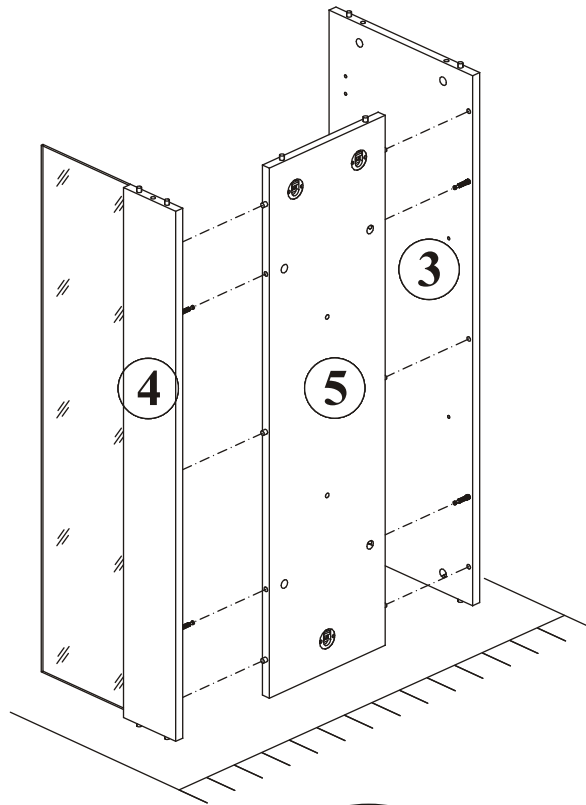
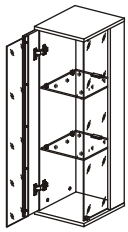
9



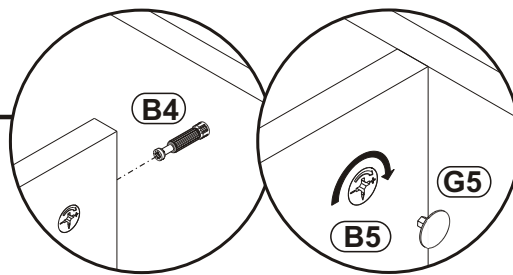


10


G5	
x4	

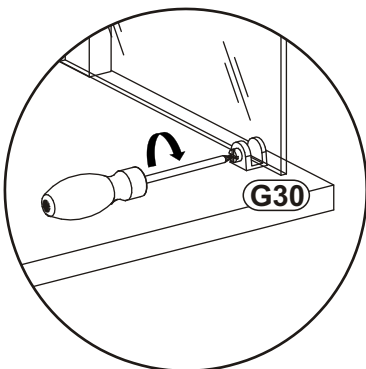
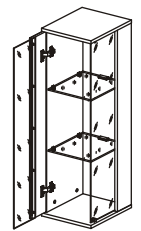
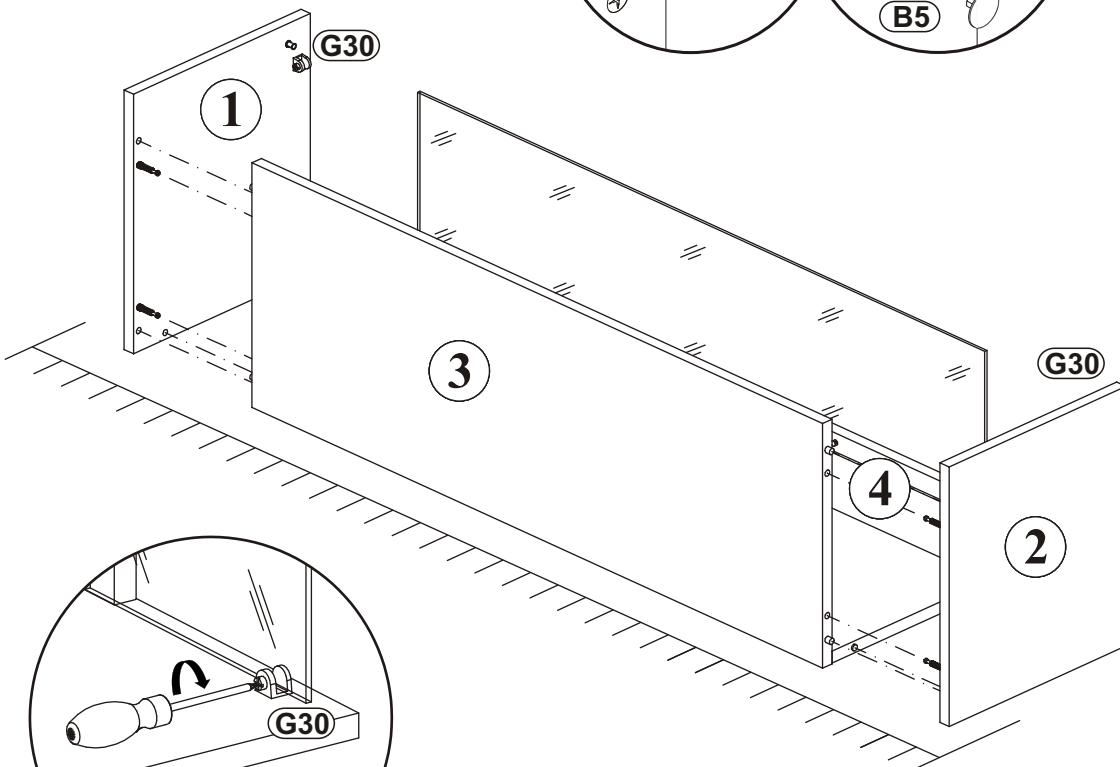


90°

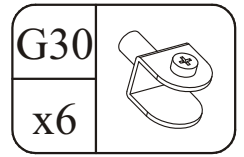
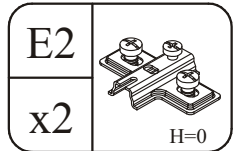
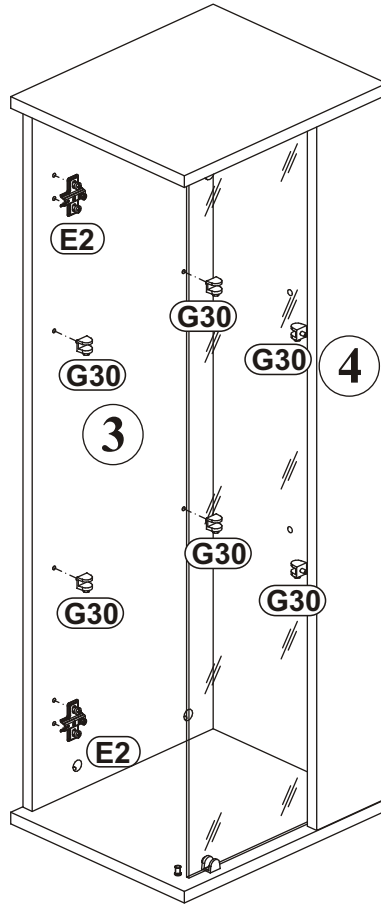
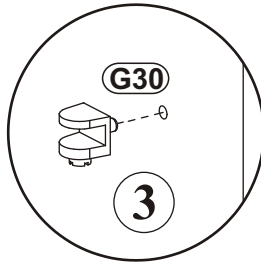
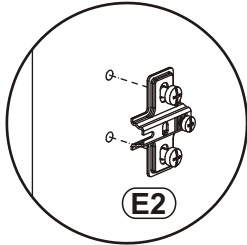
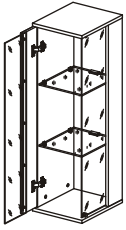


11

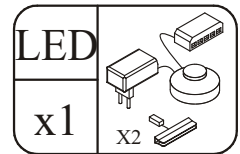
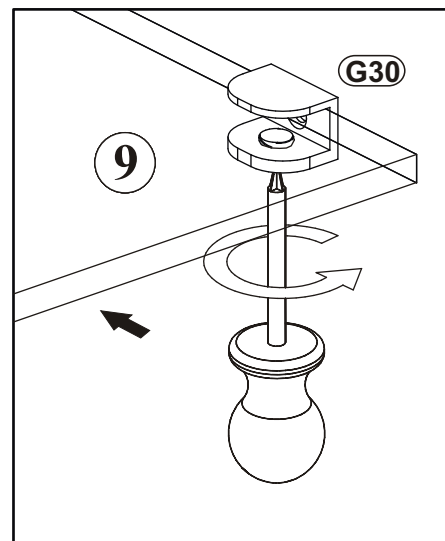
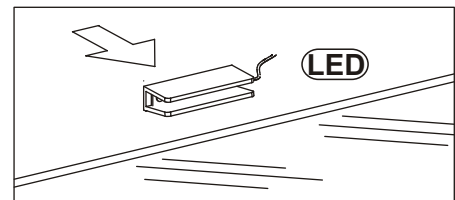
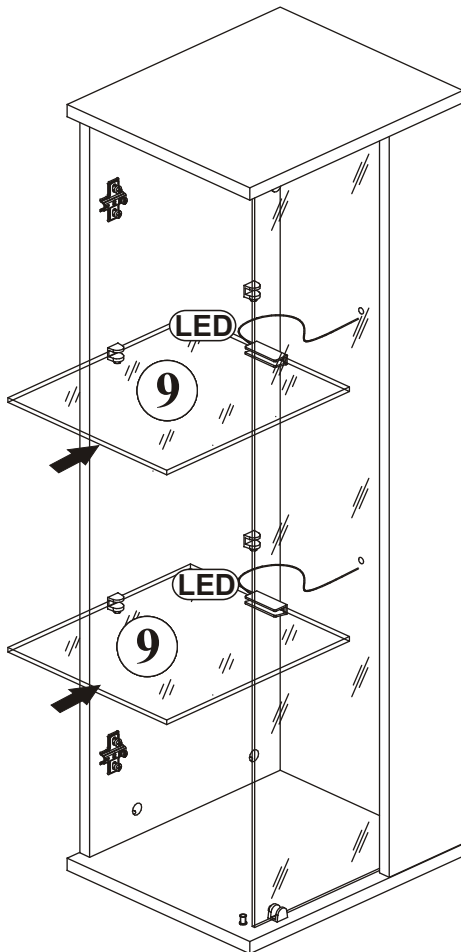
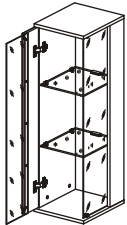
G5	
x6	



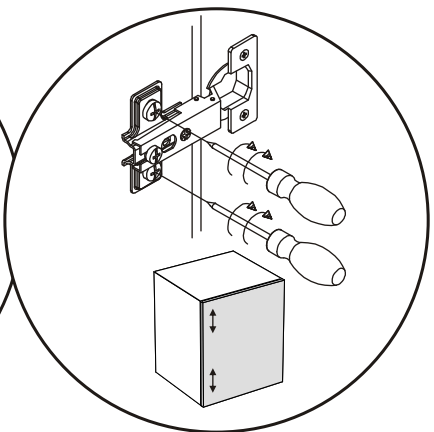
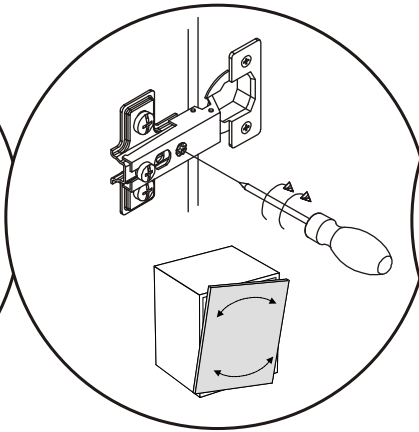
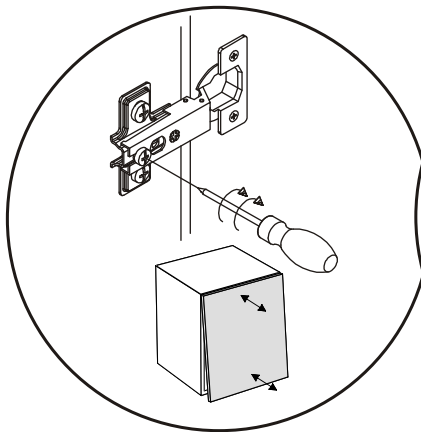
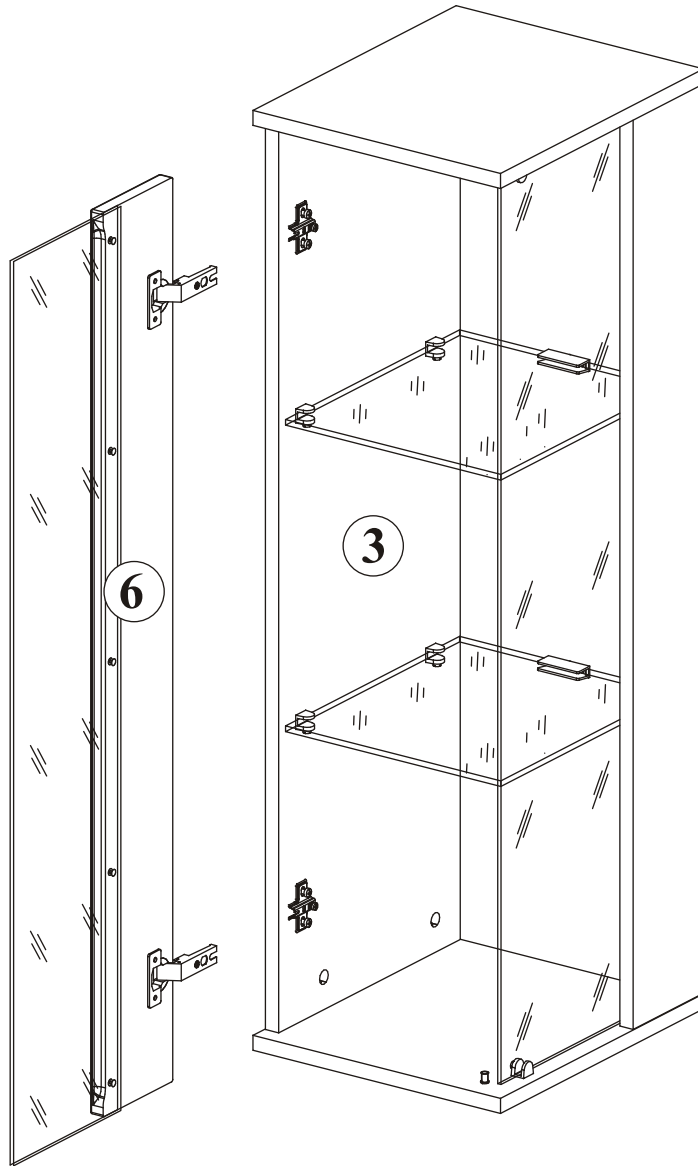
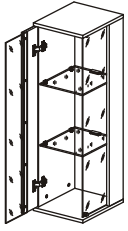
12



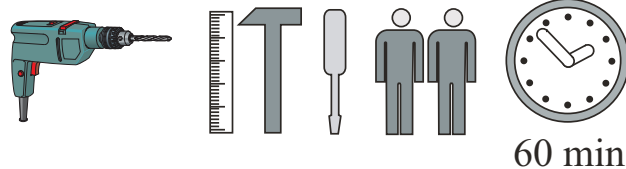
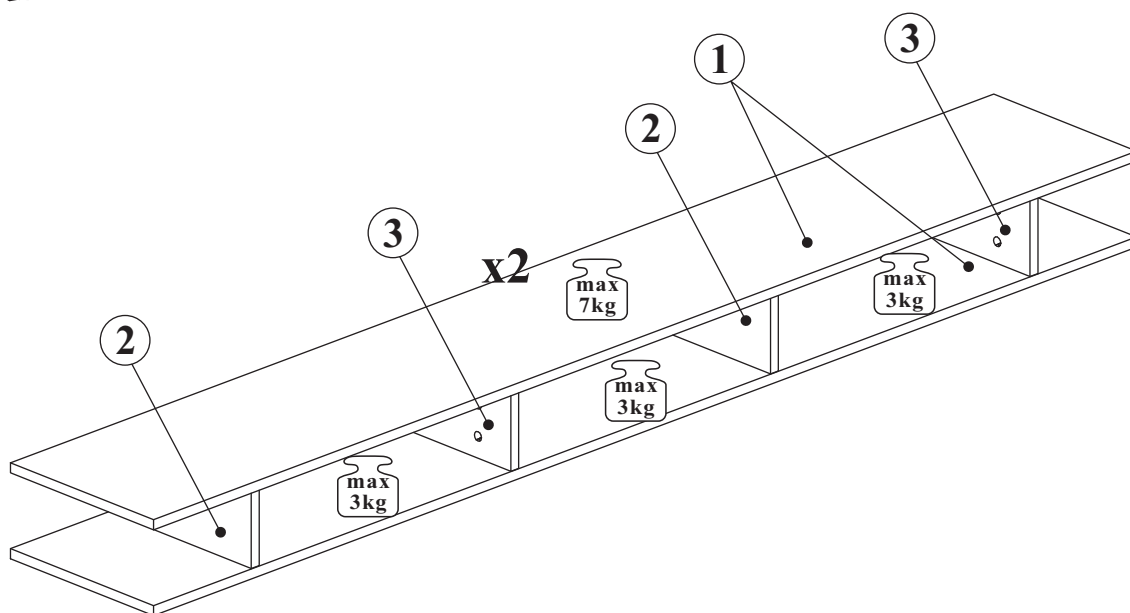
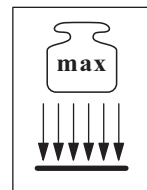
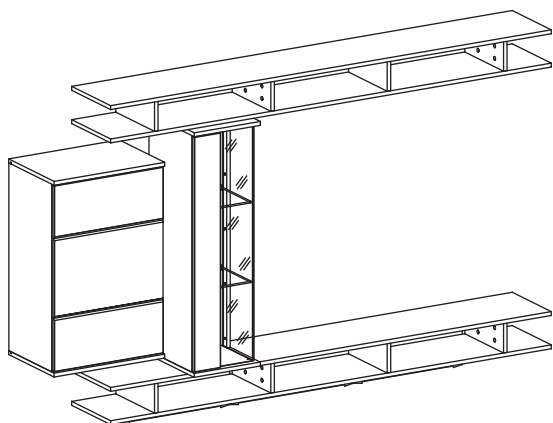
13



14

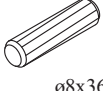
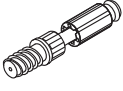


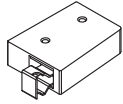

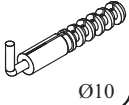



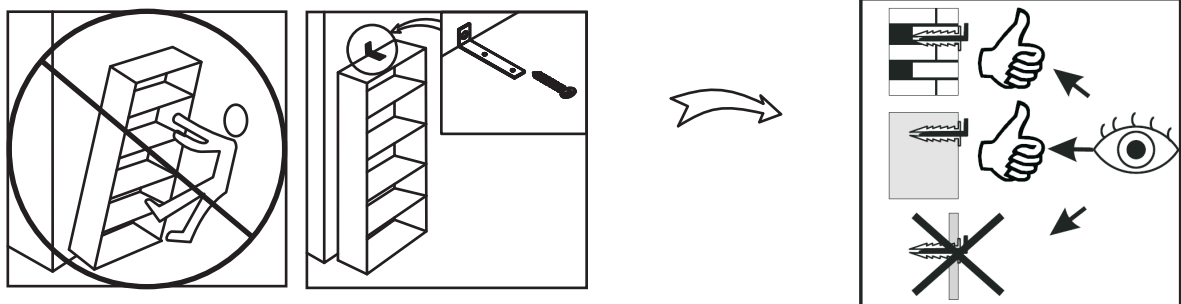
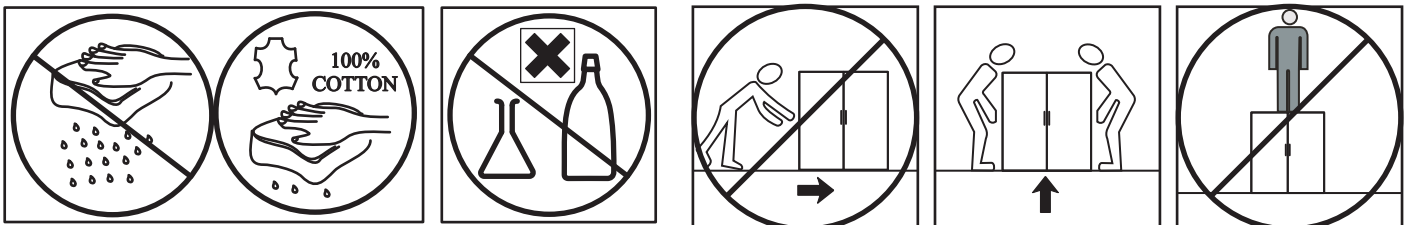
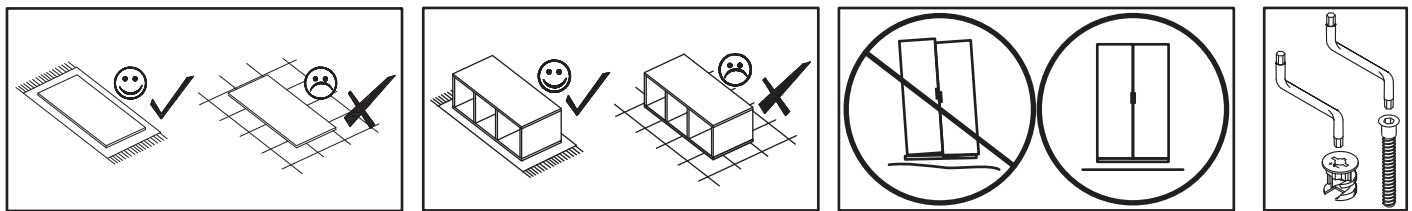
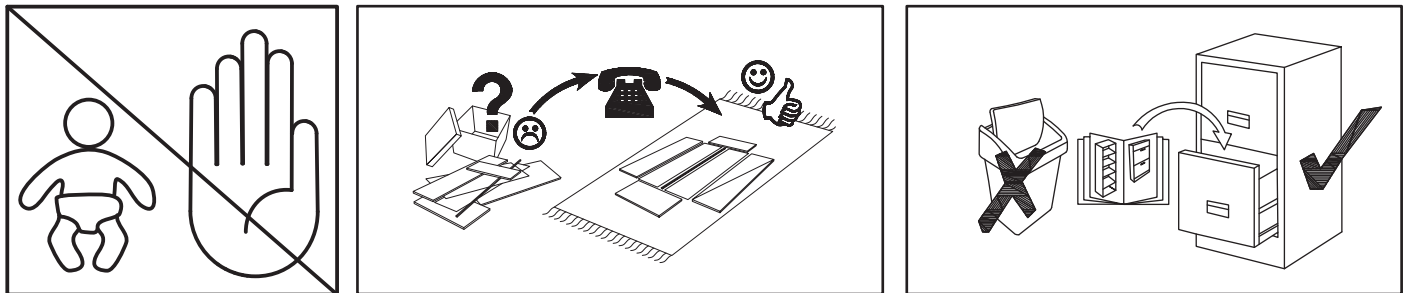
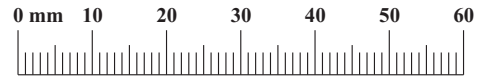
# GAME 20\_GM TYP-40



NO	Dim.			Col.-No	Qty
1	2000	300	16	1	4
2	120	298	16	1	4
3	120	298	16	1	4

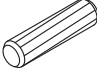
# GAME 20\_GM TYP-40


A1 x32  ø8x36	B4 x32 	B5 x32  ø15x12	G5 x32 	ZR1 x8 	G2 x1 
KR3 x8  ø10	D6 x16  USØ3,5x30				

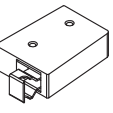



# GAME 20\_GM TYP-40

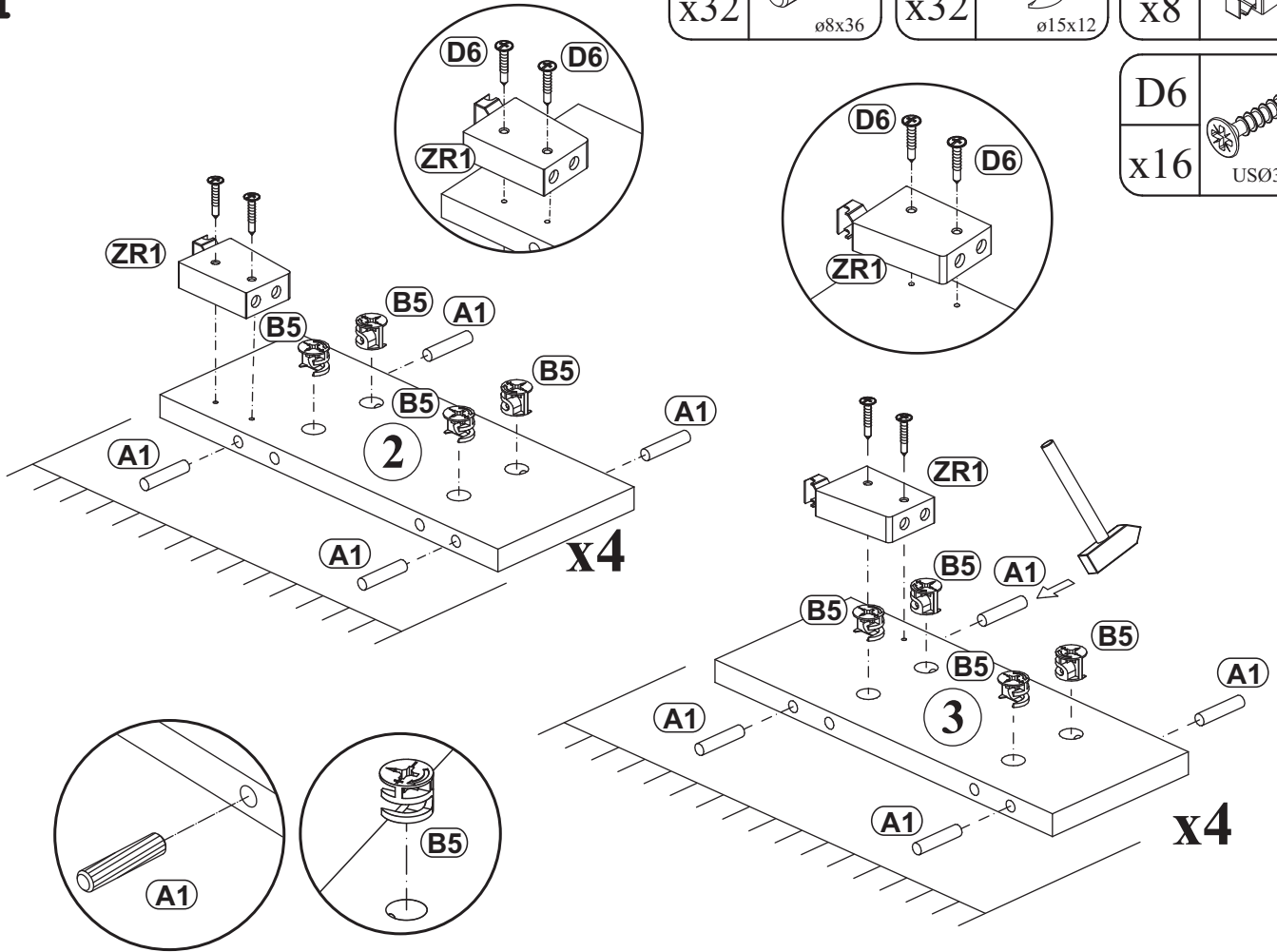
1

A1	
x32	ø8x36

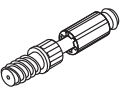
B5	
x32	ø15x12

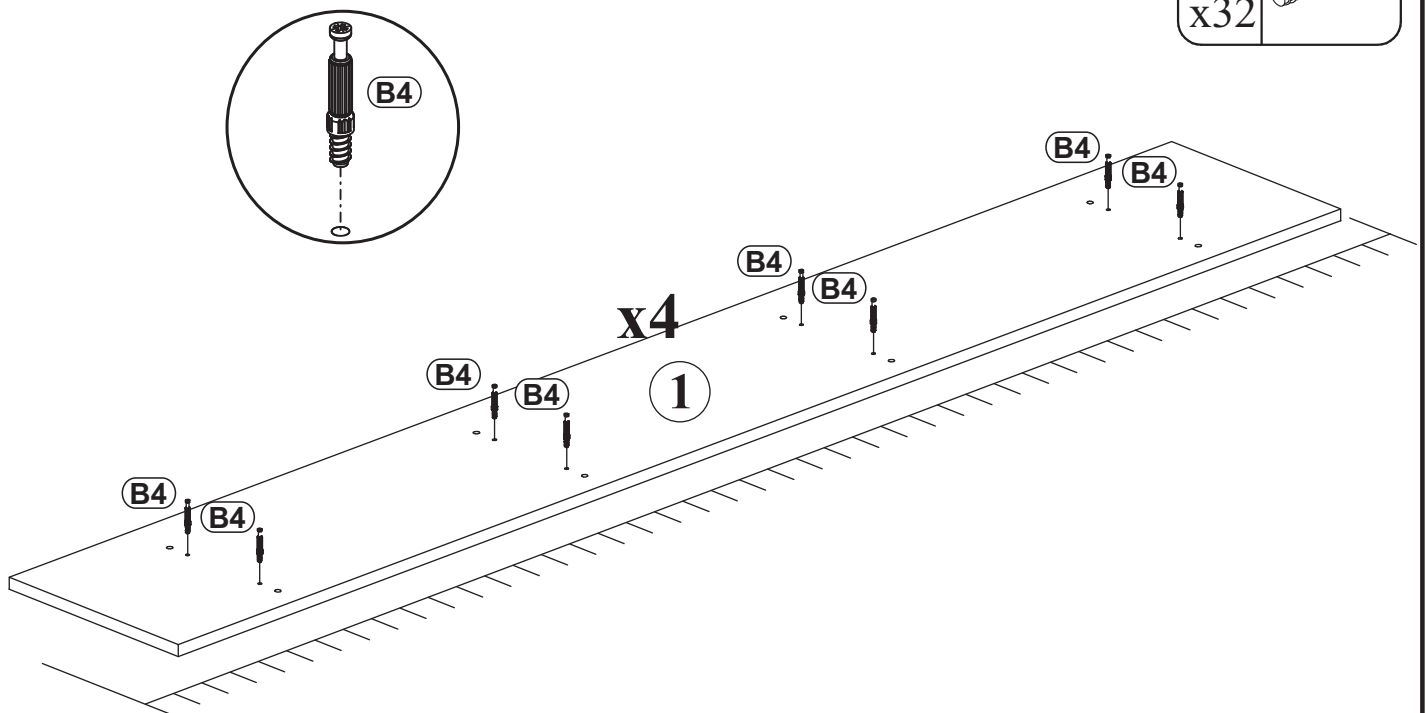
ZR1	
x8	


D6	
x16	USØ3,5x30



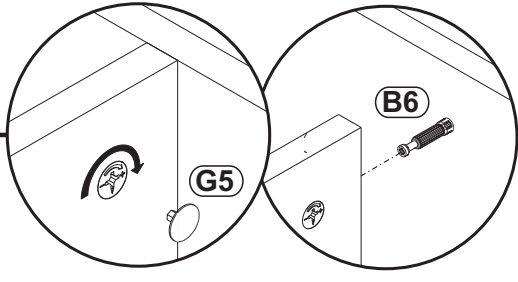
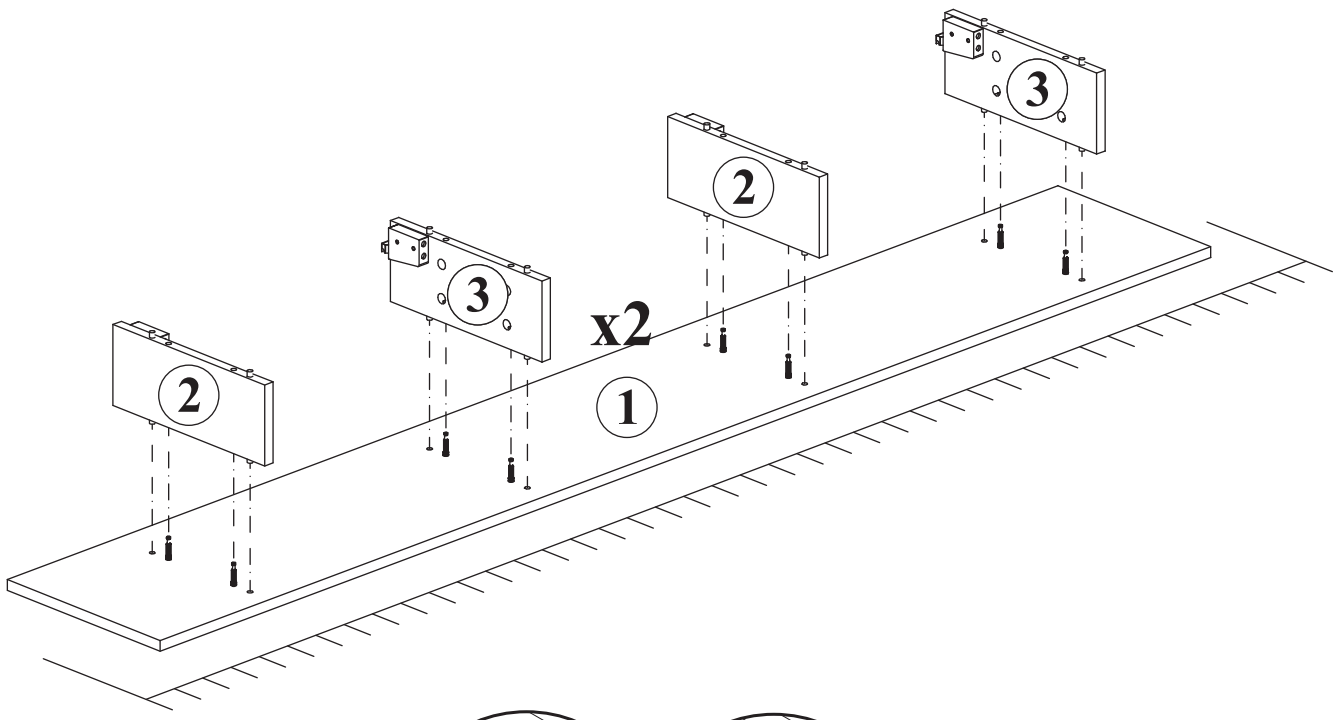
2

B4	
x32	




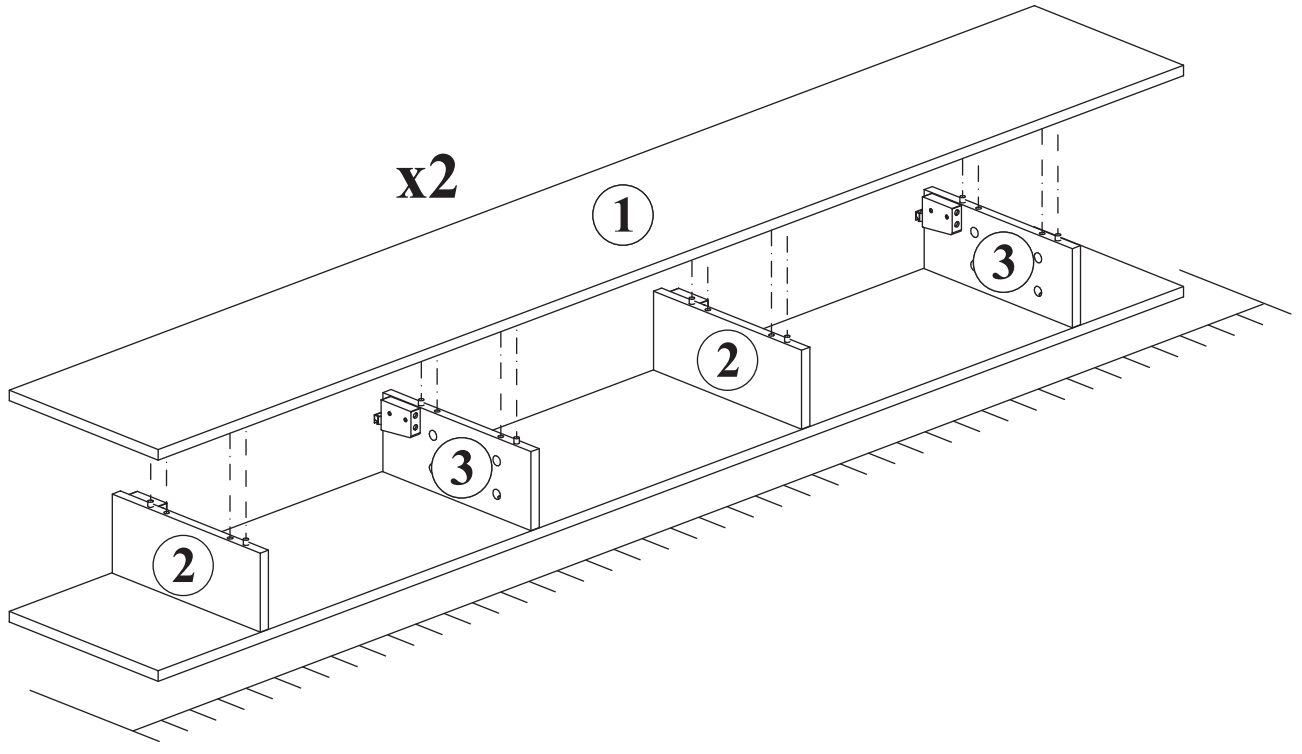
G5	
x16	

3

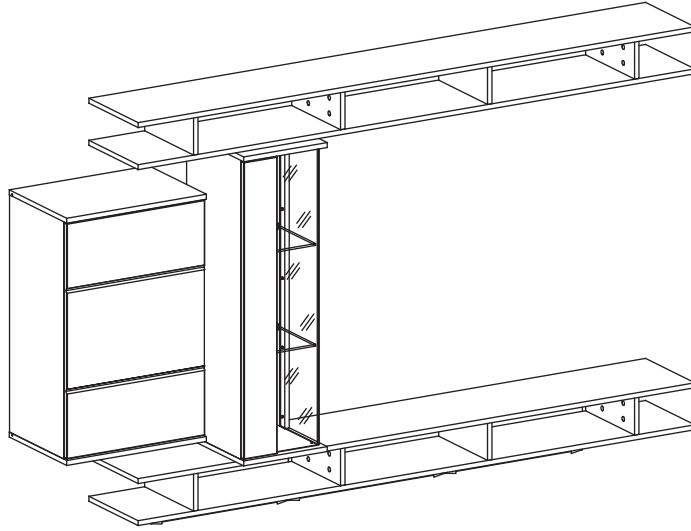


4

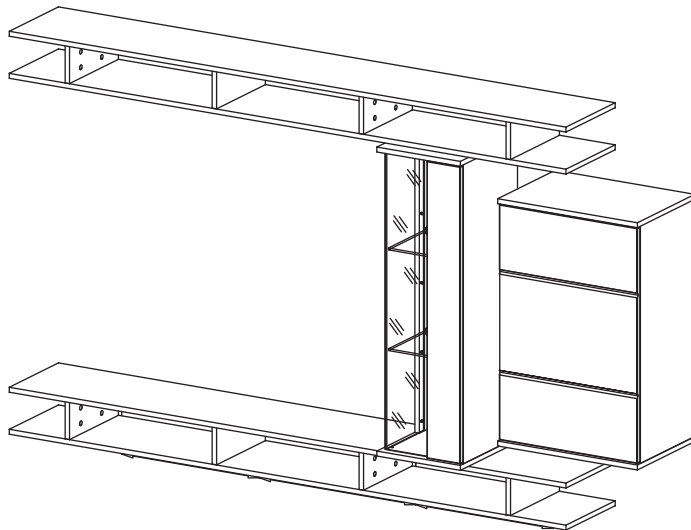
G5	
x16	



**5 - 7**



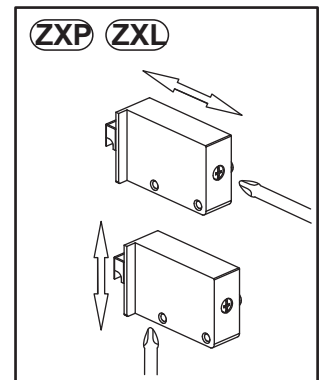
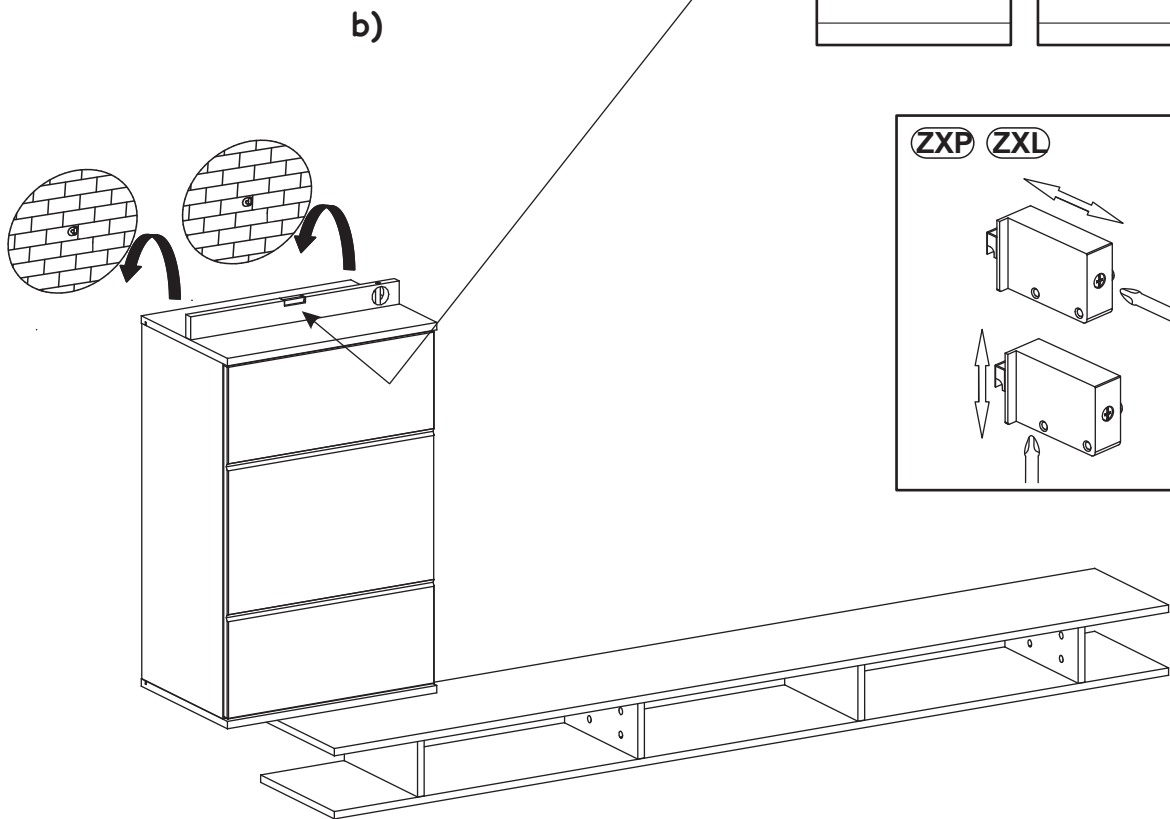
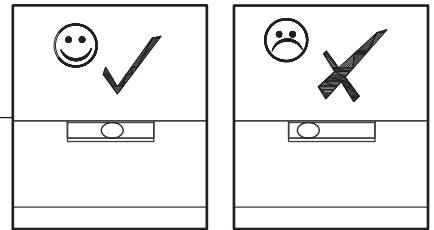
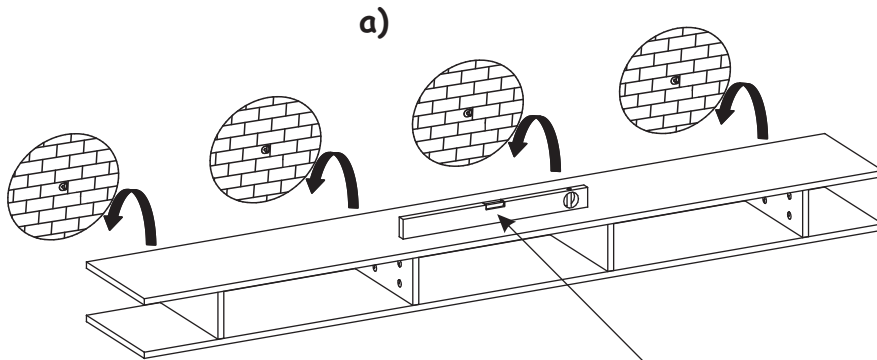
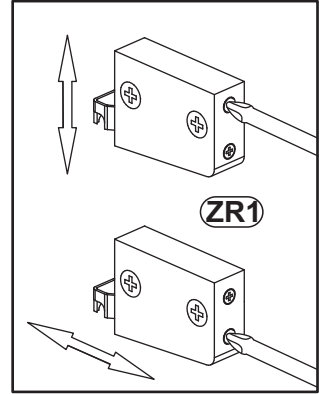
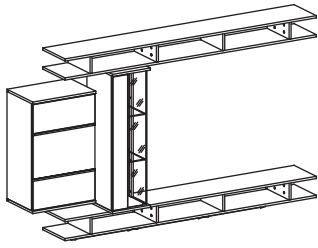
**8 - 10**





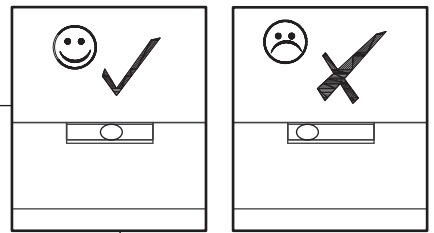
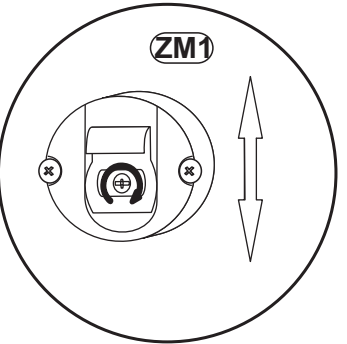
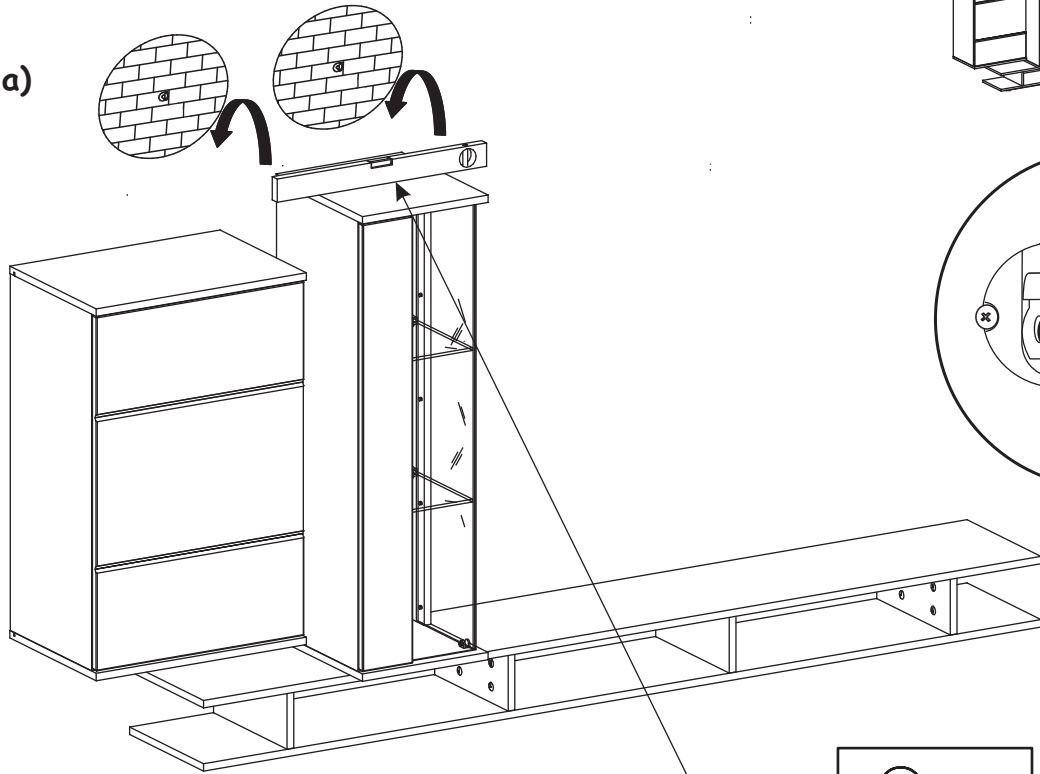


6

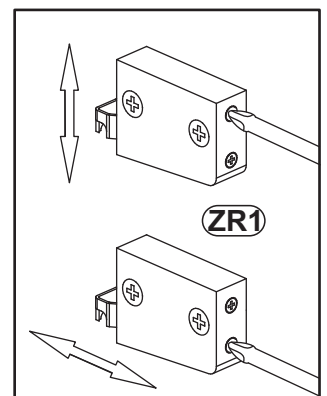
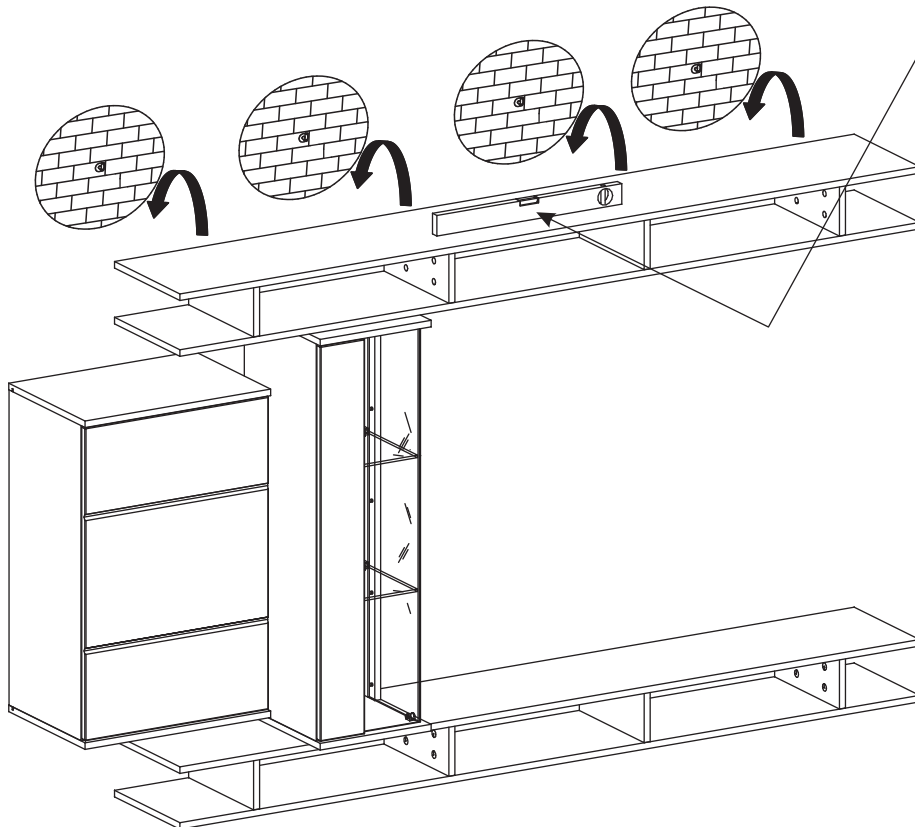


7

a)

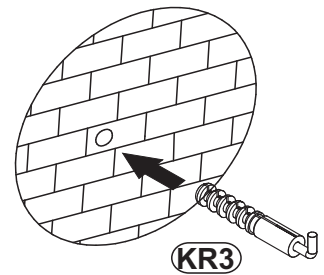
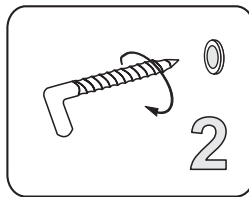
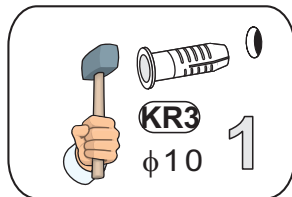
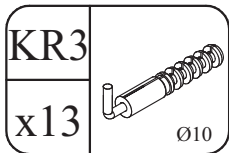
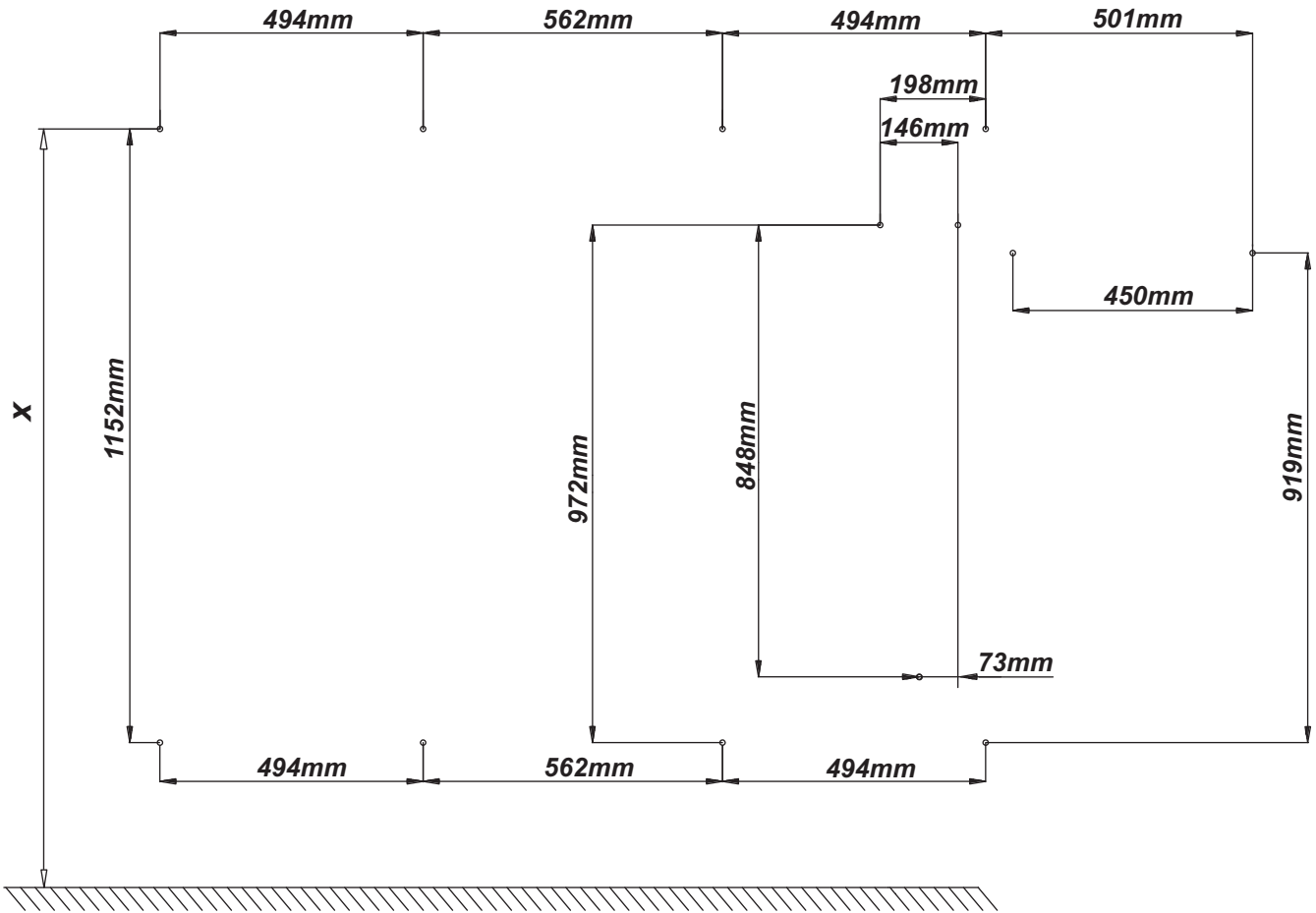
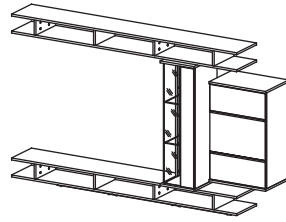
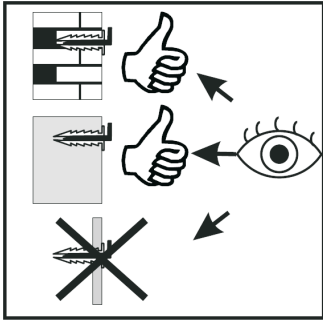


b)

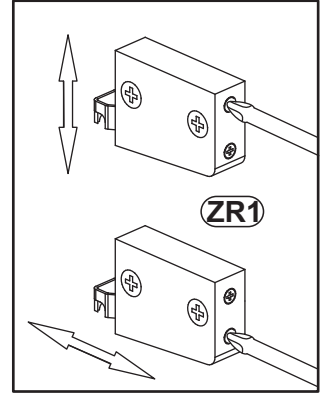
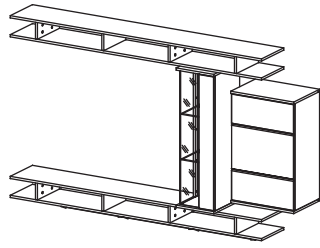


# GAME 20\_GM TYP-40

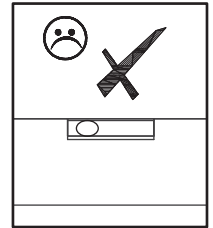
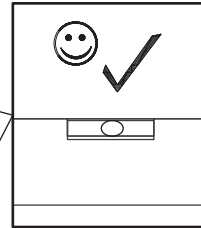
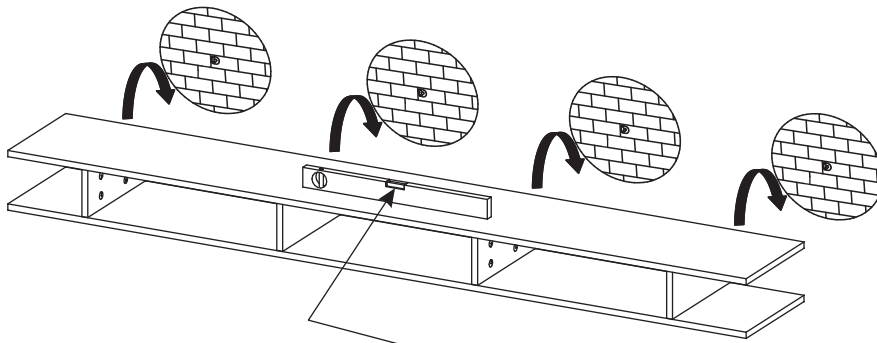
8



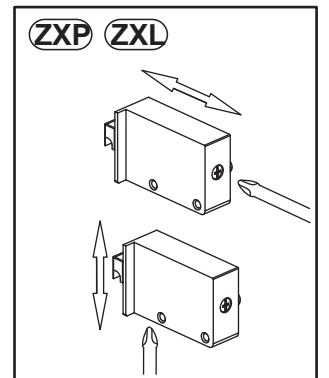
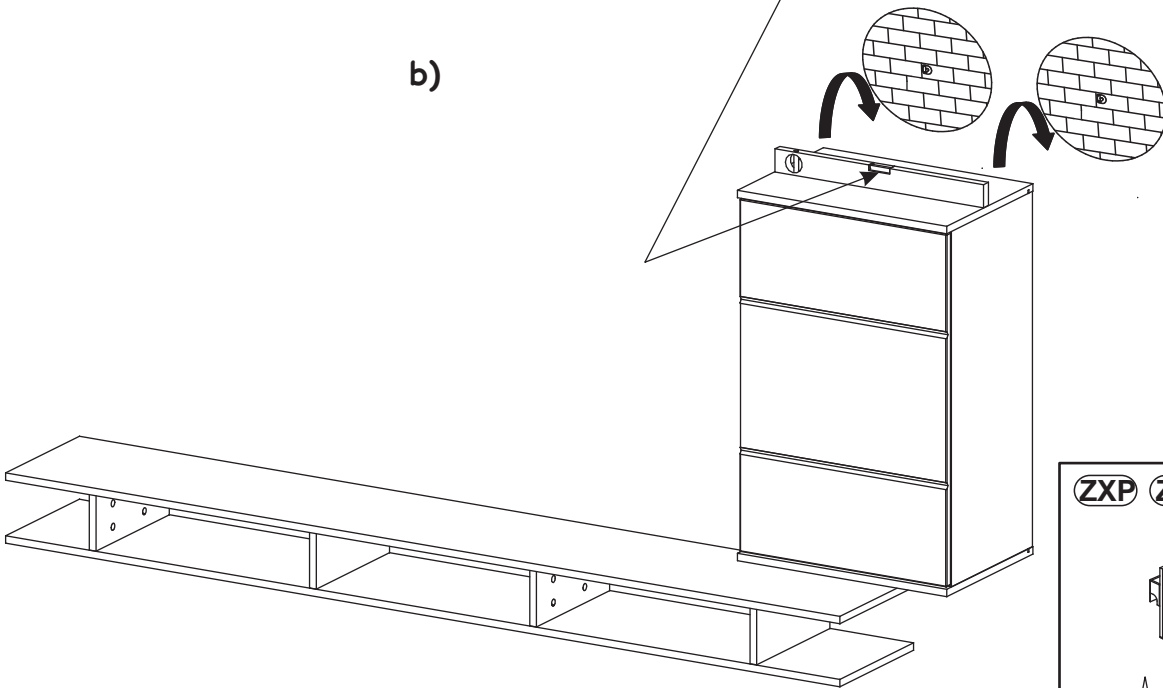
9



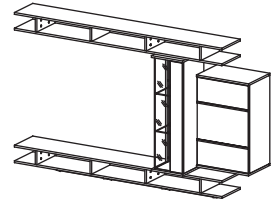
a)



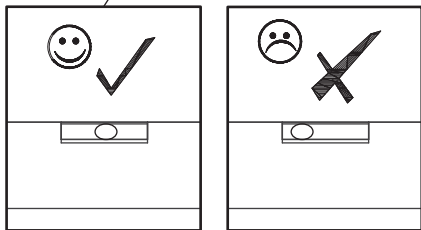
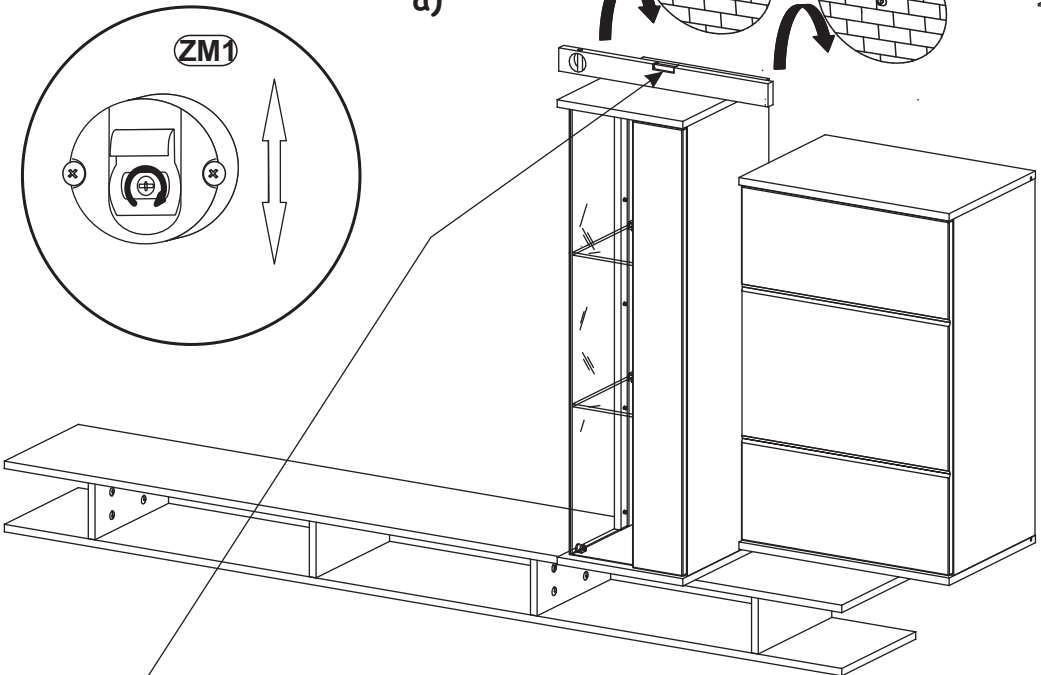
b)



10



a)



b)

