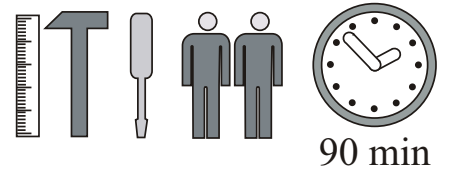
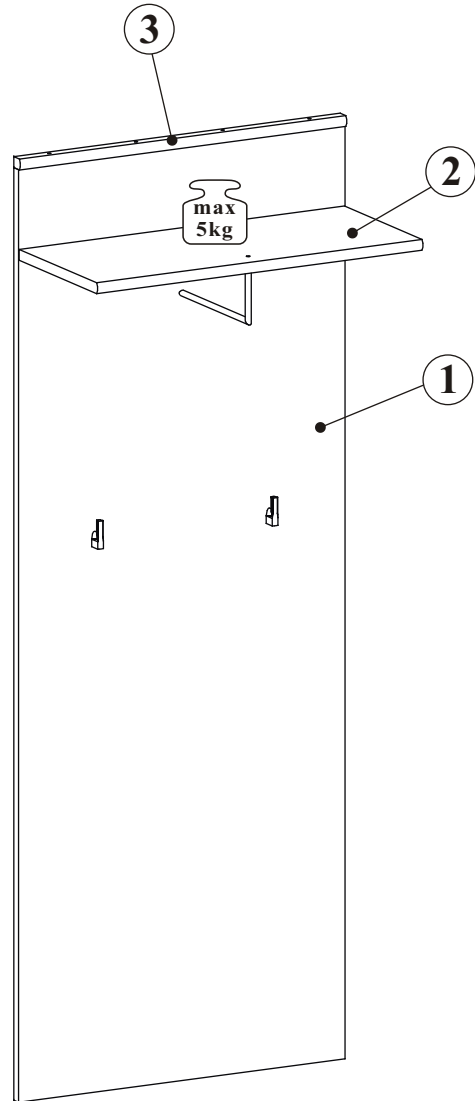
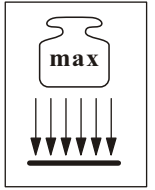
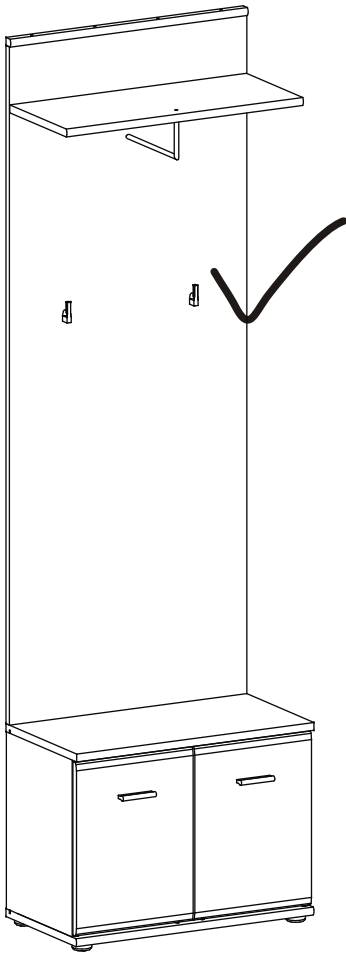


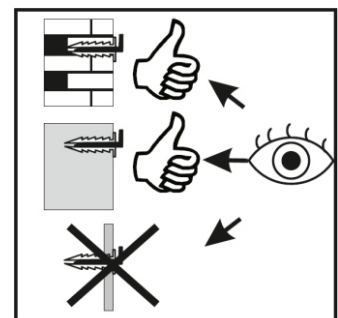
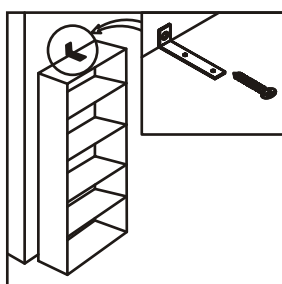
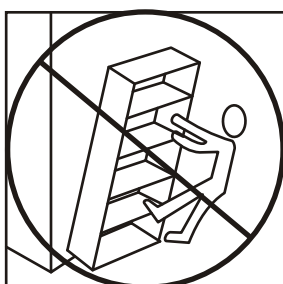
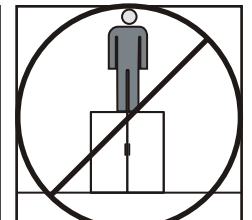
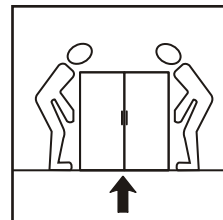
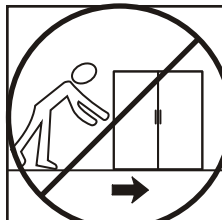
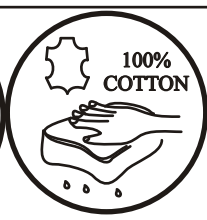
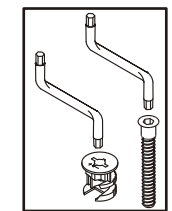
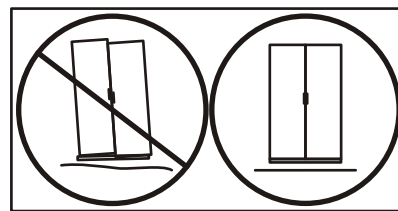
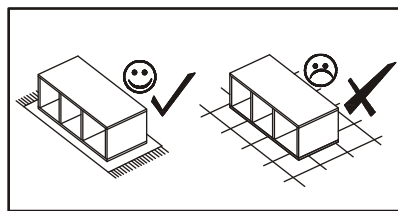
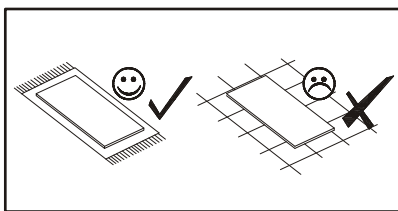
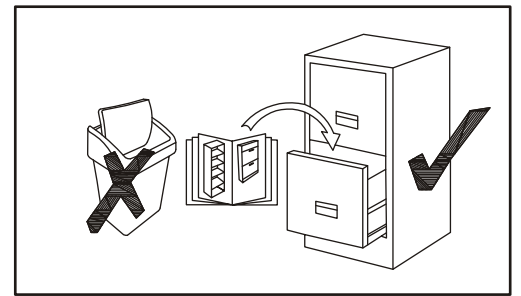
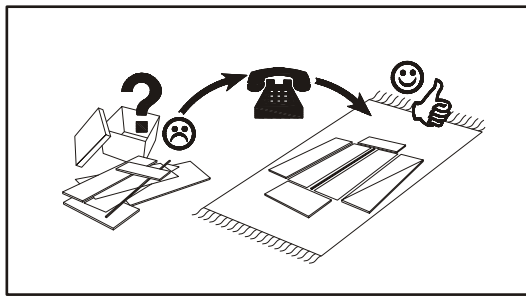
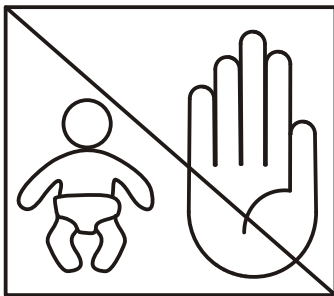
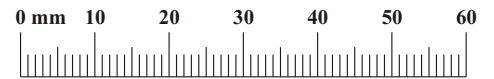
# ARMARIO 1 ECO TYP D



NO	Dim.			Col.-No	Qty
1	1548	602	16	1	1
2	600	260	18	1	1
3	602	18	22	1	1

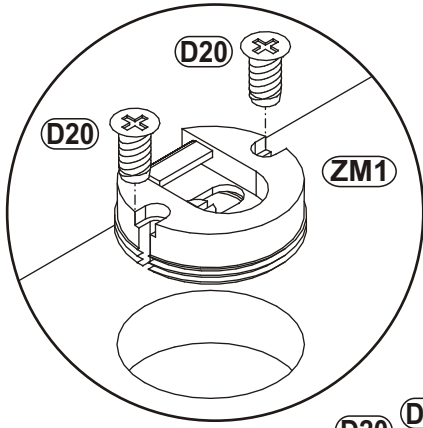
# ARMARIO 1 ECO TYP D

A1 x3 ø8x36	ZM1 x3	D20 x6 ESØ6x9,5	UP16 x4 UPØ4x35	B11 x2 Ø7x50	G4 x2
WS1 x2	UP6 x4 UPØ4x30	L50 x1	D4 x2 M4x30	KR2 x3 Ø8	G2 x1

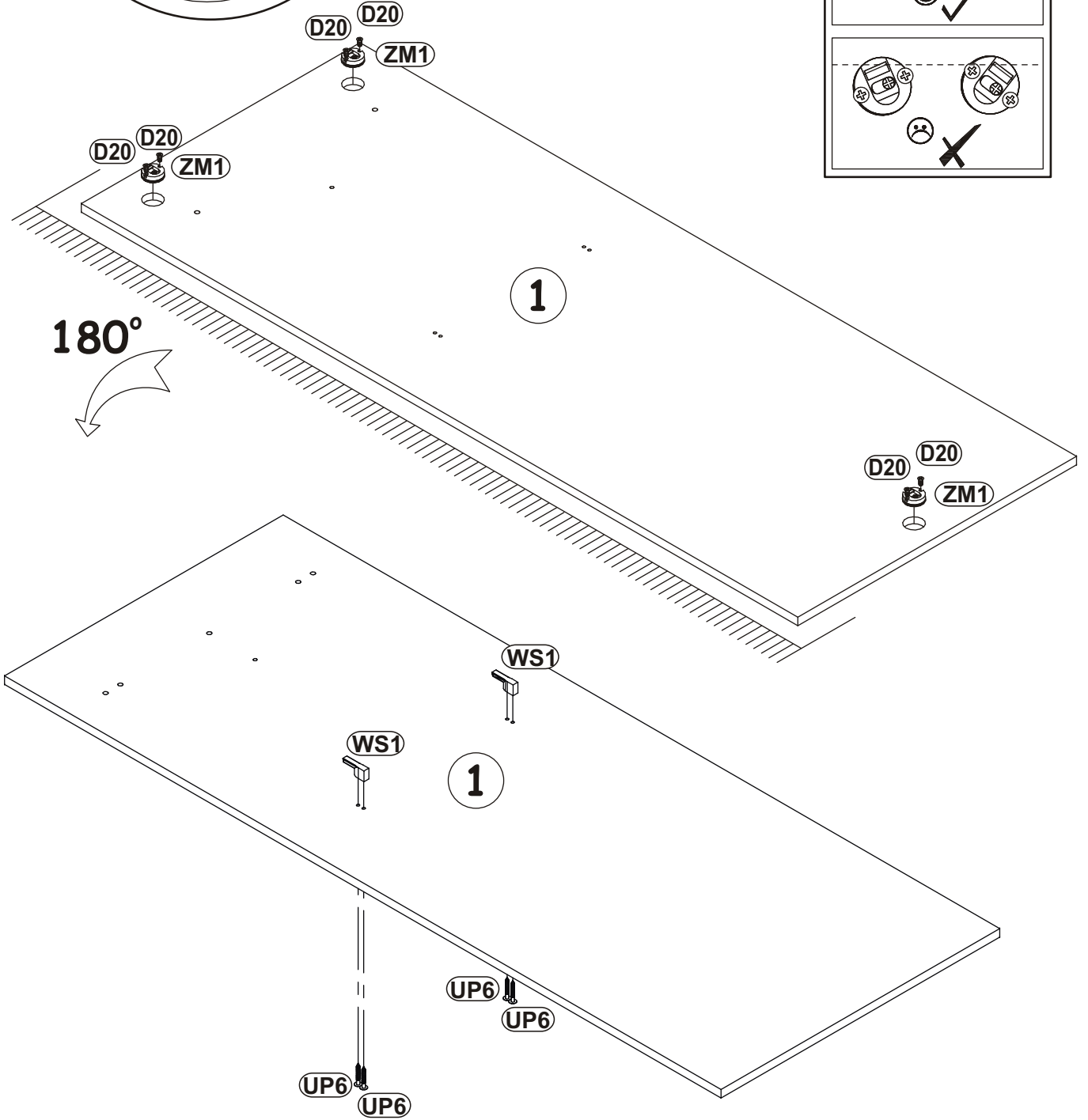
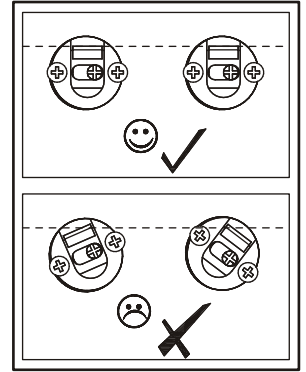


ARMARIO 1 ECO TYP D

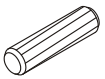
1

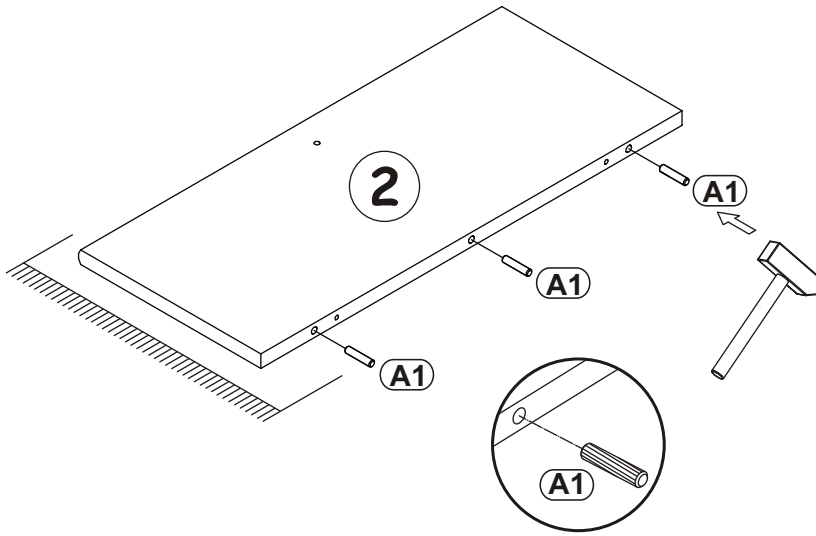


ZM1		D20	
x3		x6	ESØ6x9,5
WS1		UP6	
x2		x4	UPØ4x30





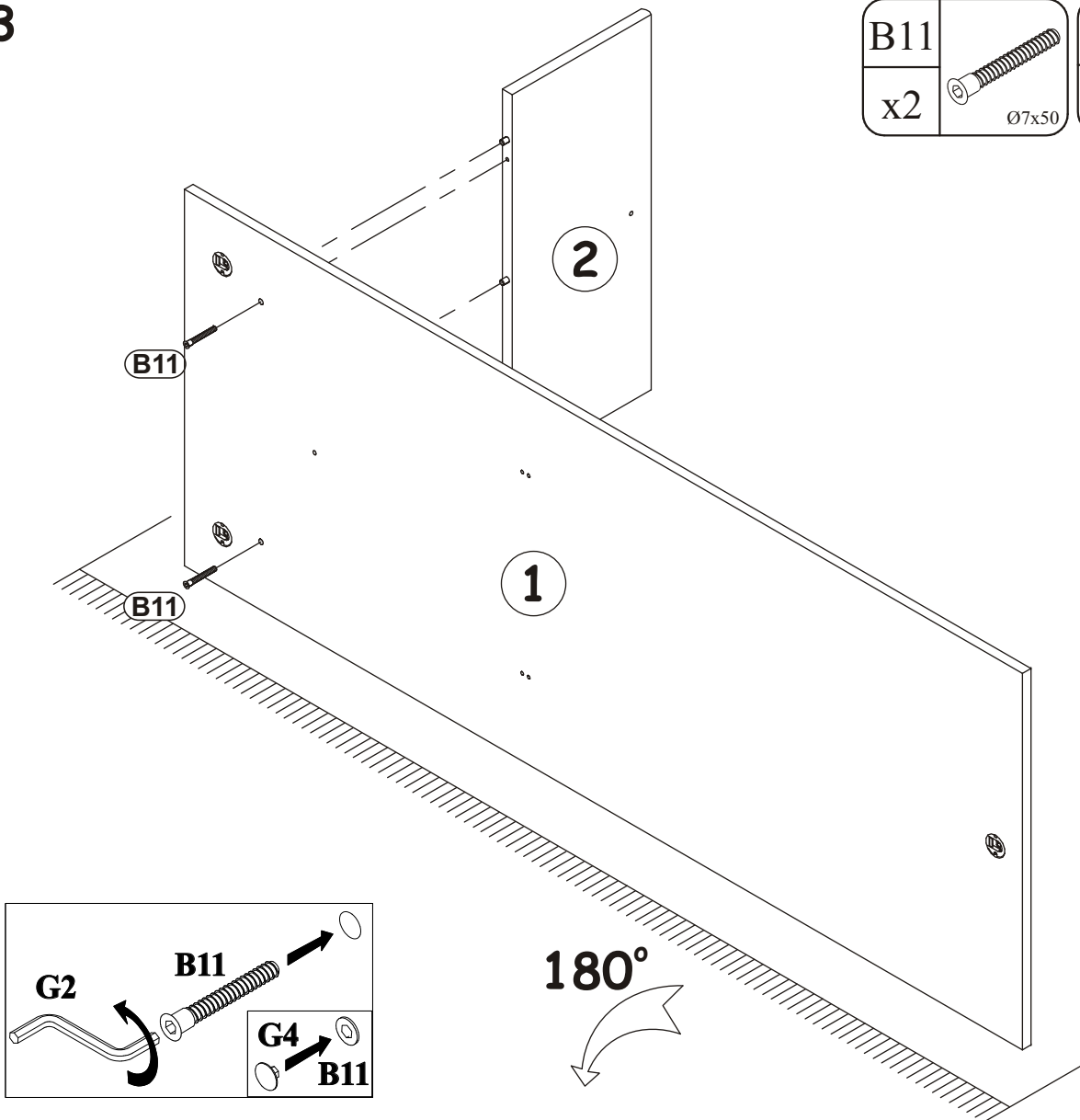
2

A1	
x3	ø8x36




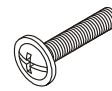
3

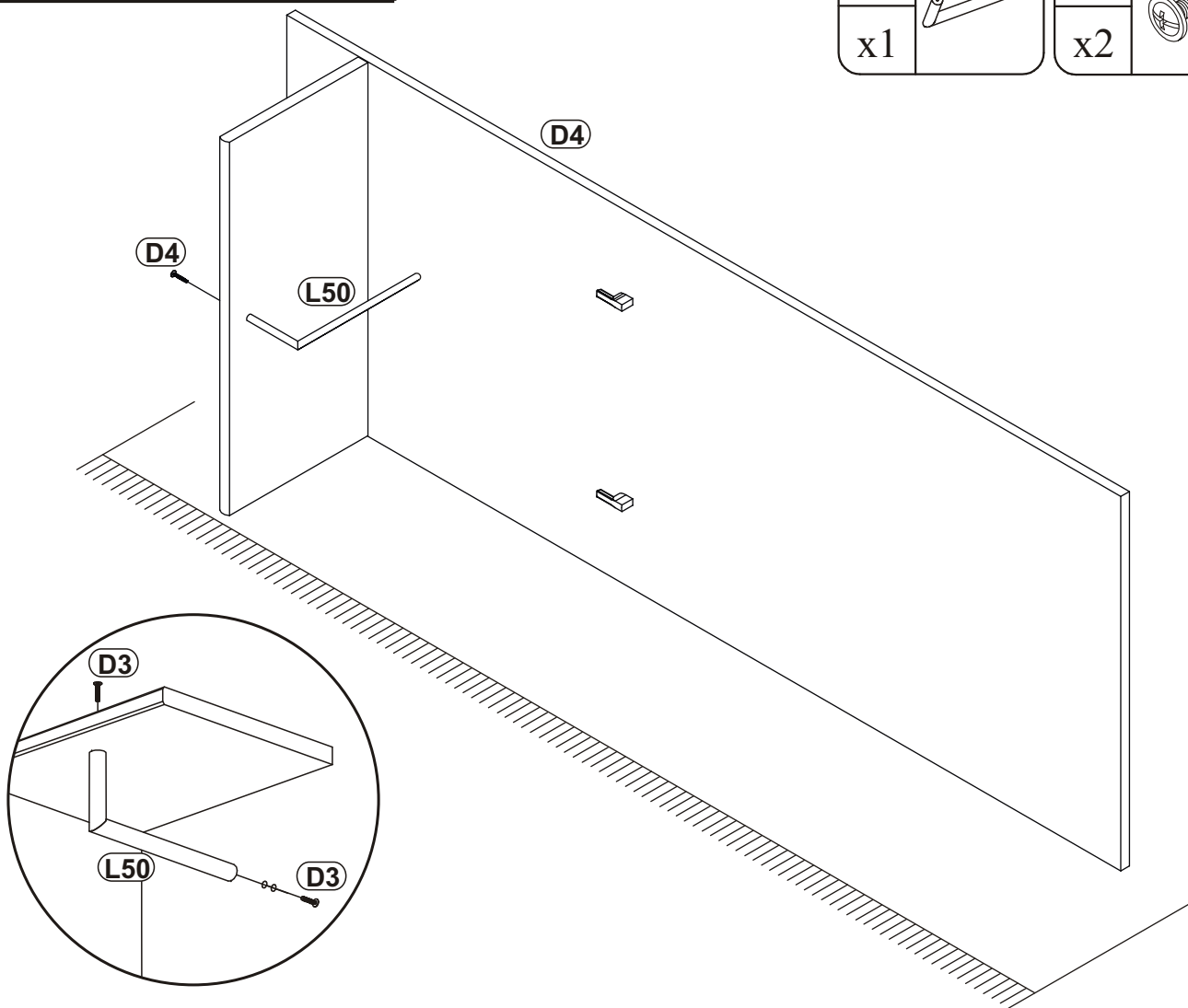
B11		G4	
x2	Ø7x50	x2	




# ARMARIO 1 ECO TYP D

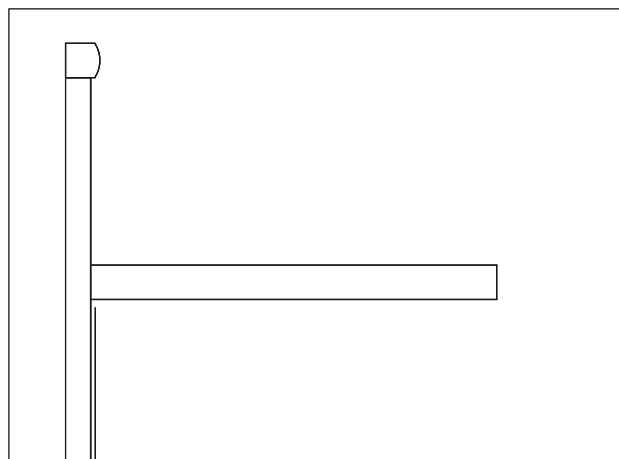
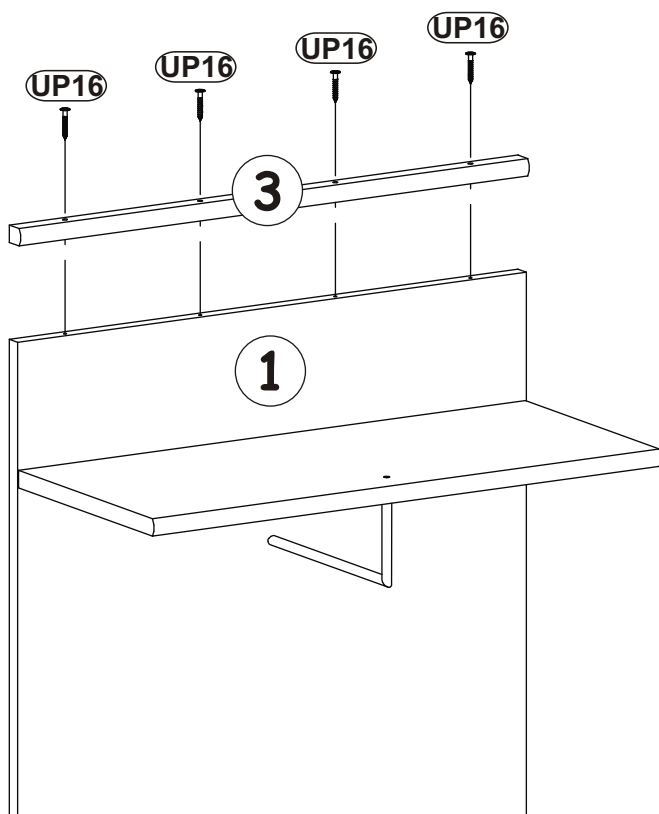
## 4

L50		D4	
x1		x2	M4x30



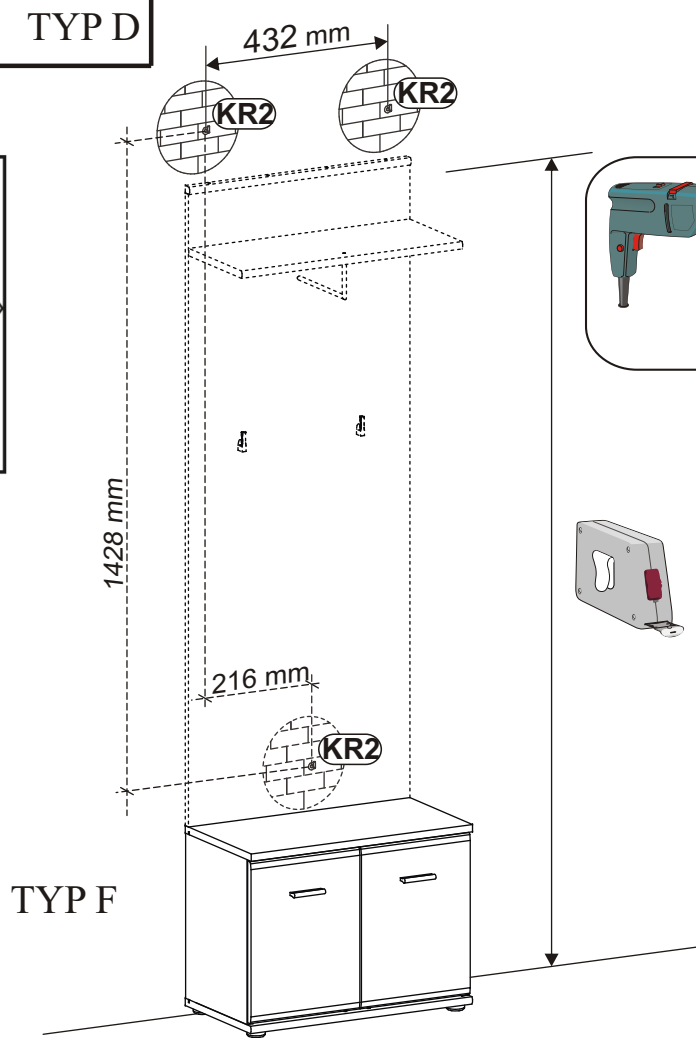
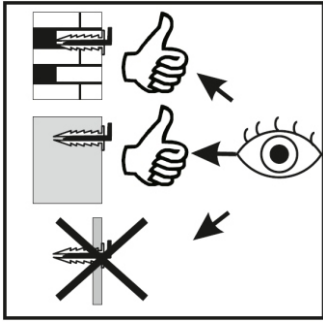
## 5

UP16	
x4	UPØ4x35

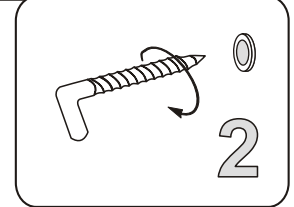
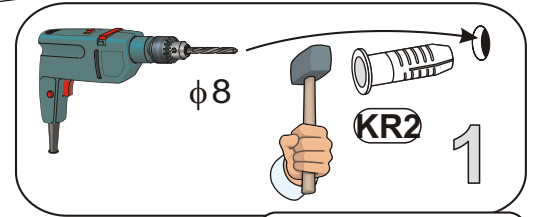


ARMARIO 1 ECO TYP D

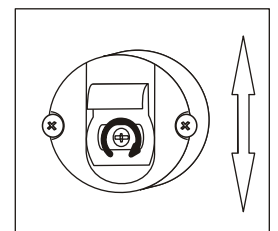
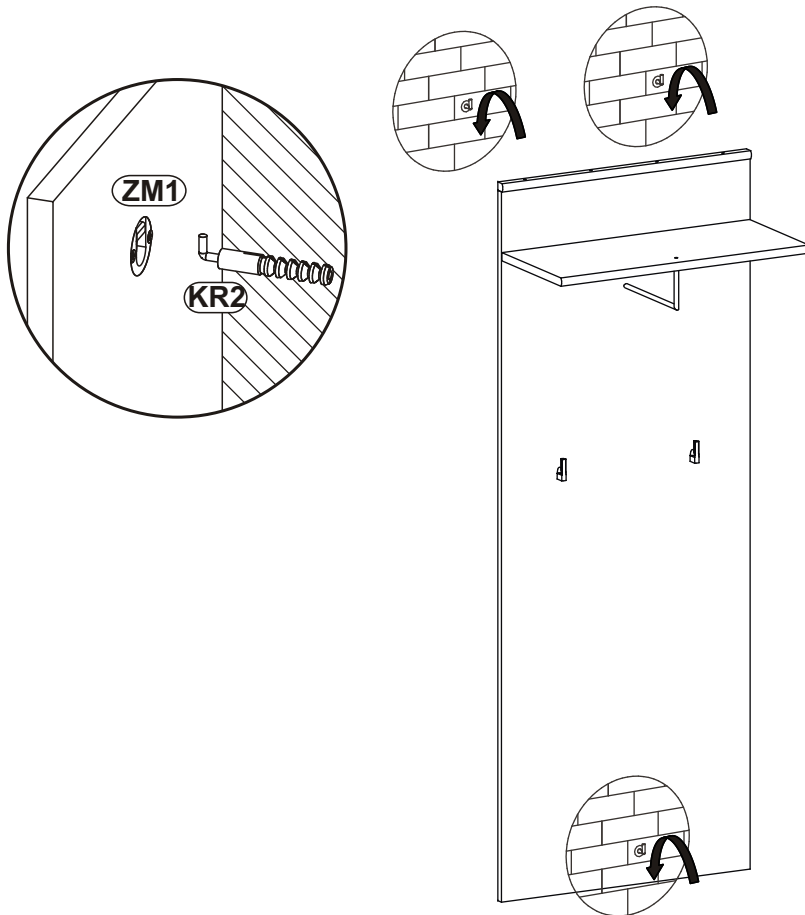
6



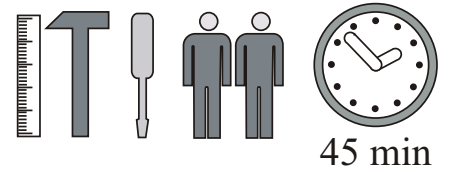
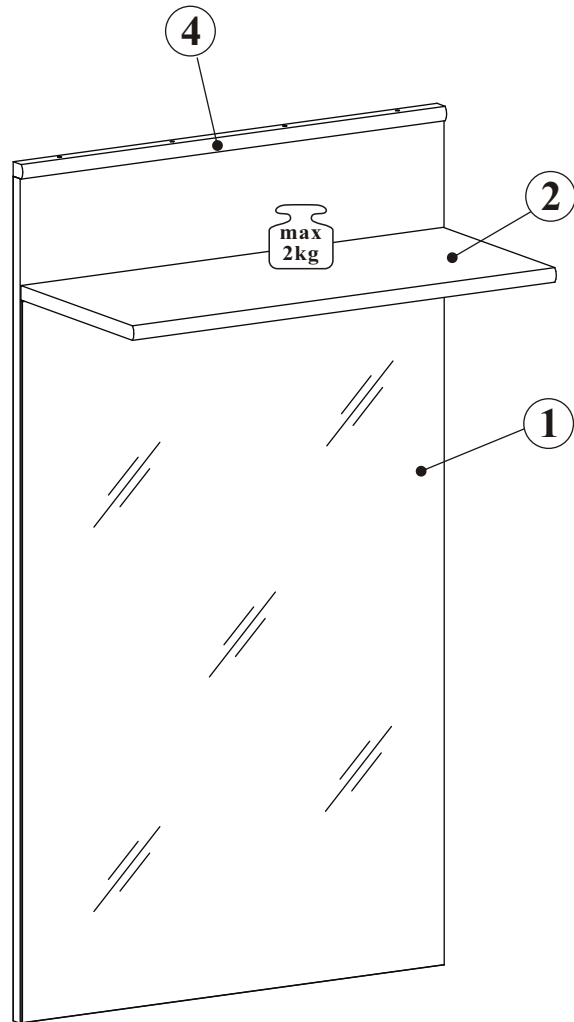
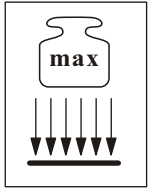
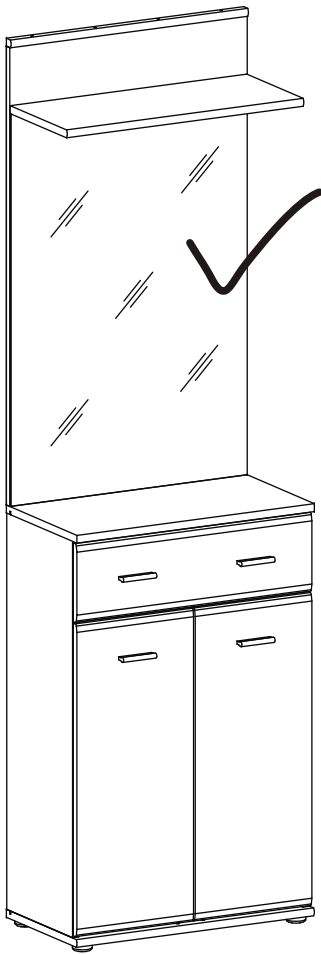
KR2	
x3	Ø8



7



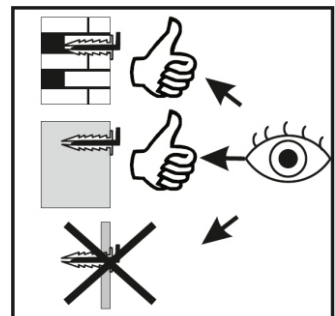
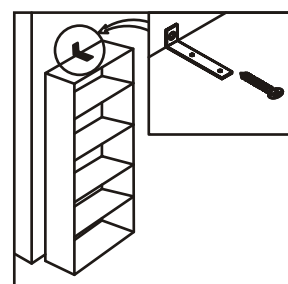
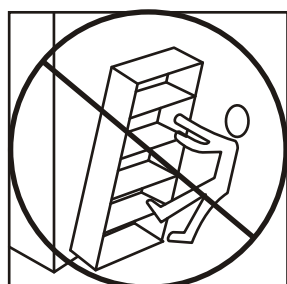
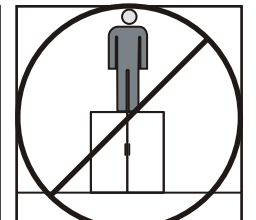
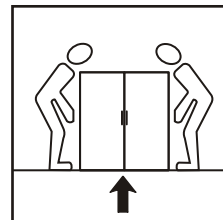
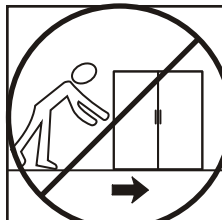
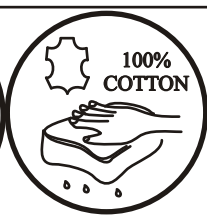
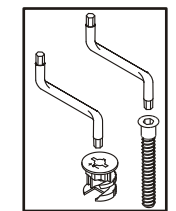
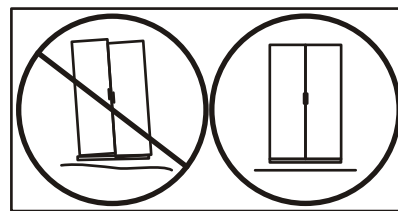
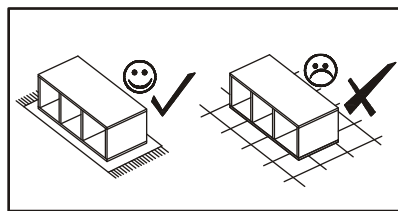
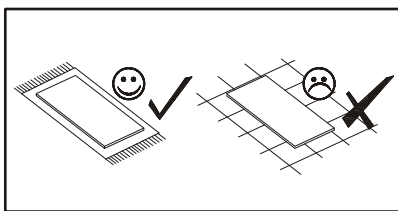
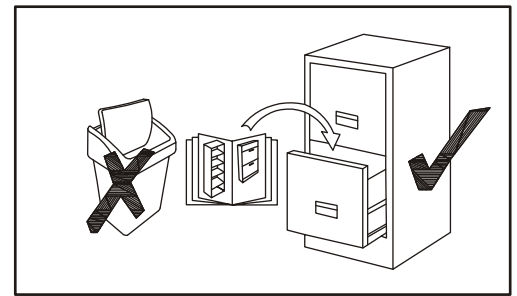
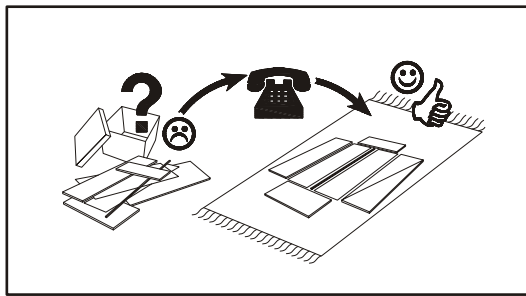
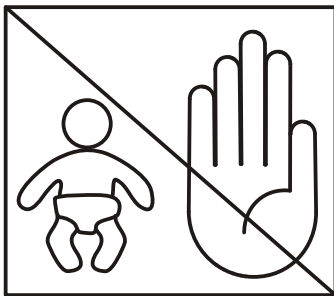
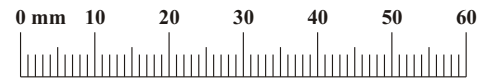
# ARMARIO 1 ECO TYPE



NO	Dim.			Col.-No	Qty
1	1047	602	19	1	1
2	600	260	18	1	1
4	602	22	18	1	1

# ARMARIO 1 ECO TYPE

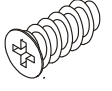
A1 x3 ø8x36	D20 x6 ESØ6x9,5	UP16 x4 UPØ4x35	B11 x2 Ø7x50	G4 x2	KR2 x3 Ø8
G2 x1					

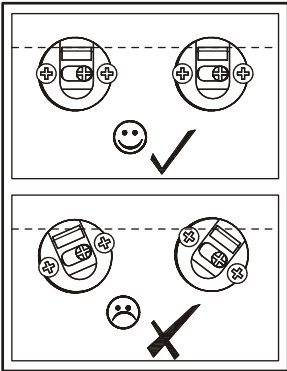
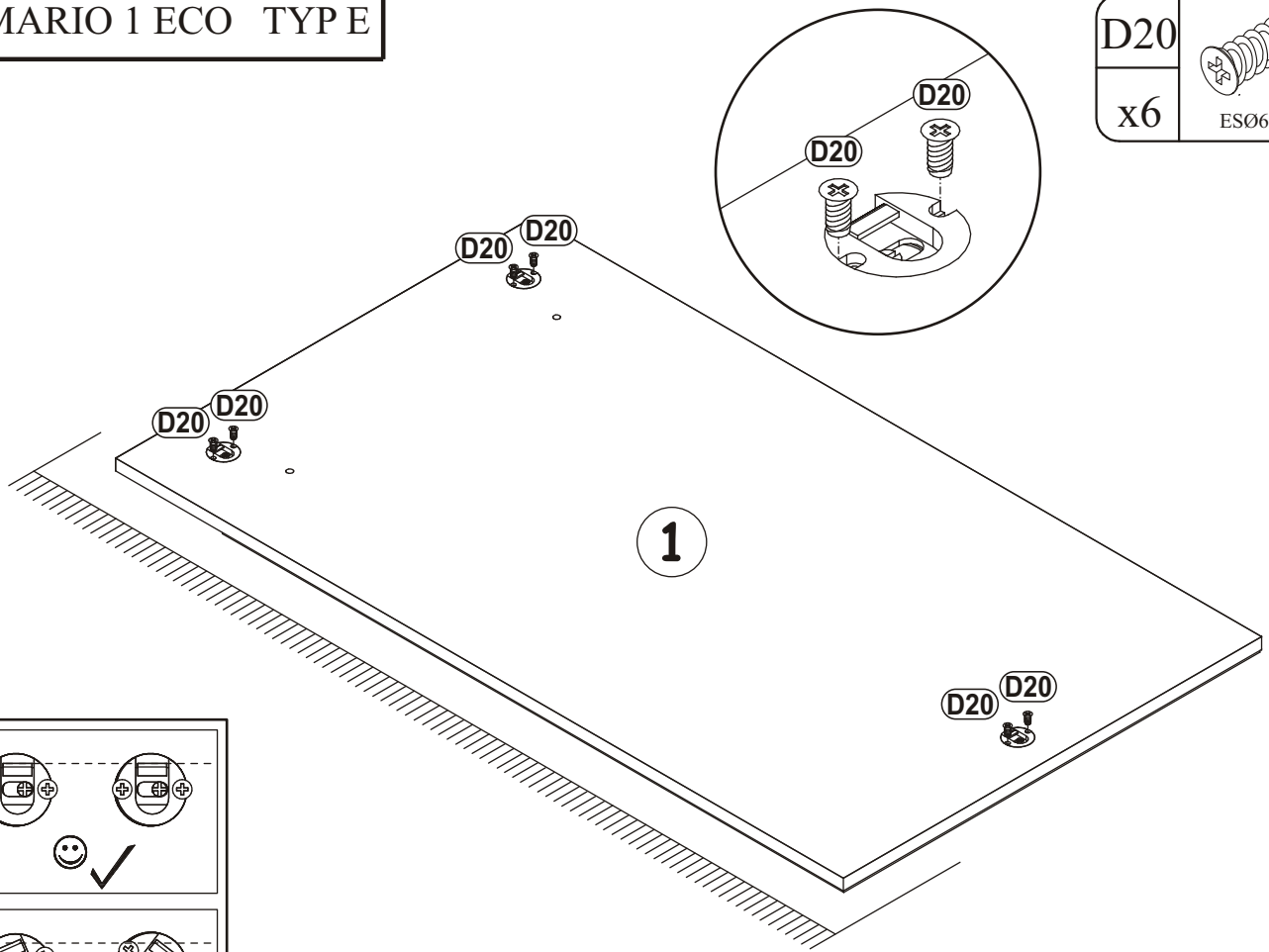




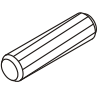
# ARMARIO 1 ECO TYPE

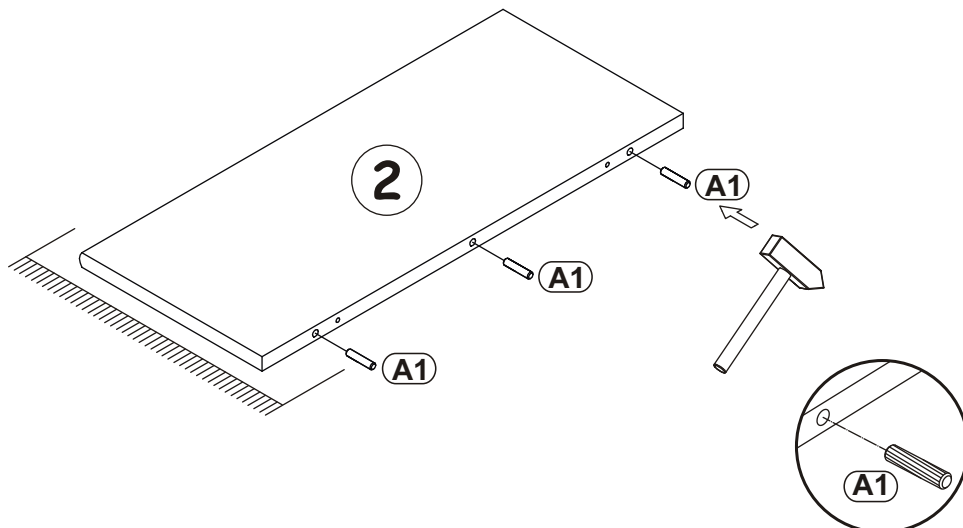
## 1

D20	
x6	ESØ6x9,5





## 2

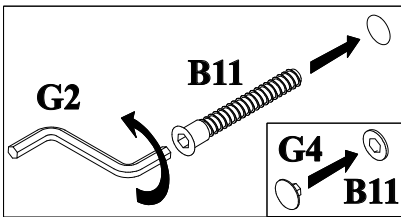
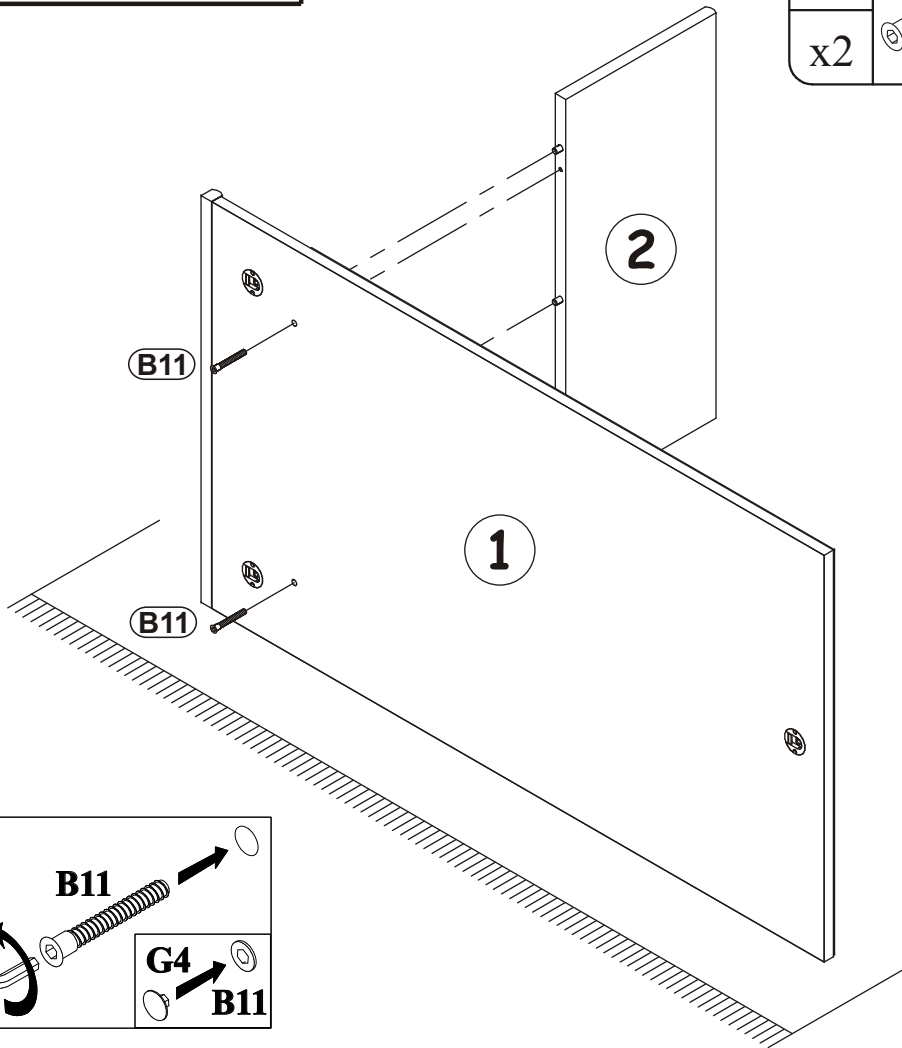
A1	
x3	ø8x36




ARMARIO 1 ECO TYPE

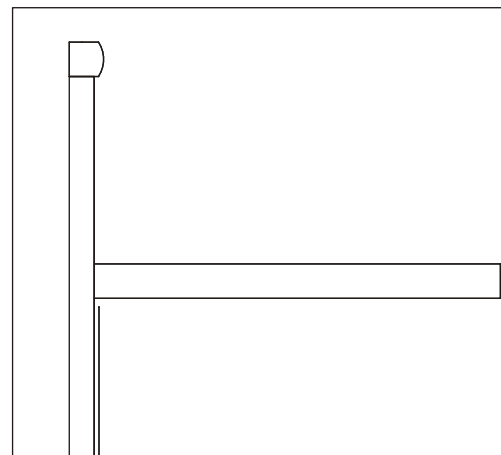
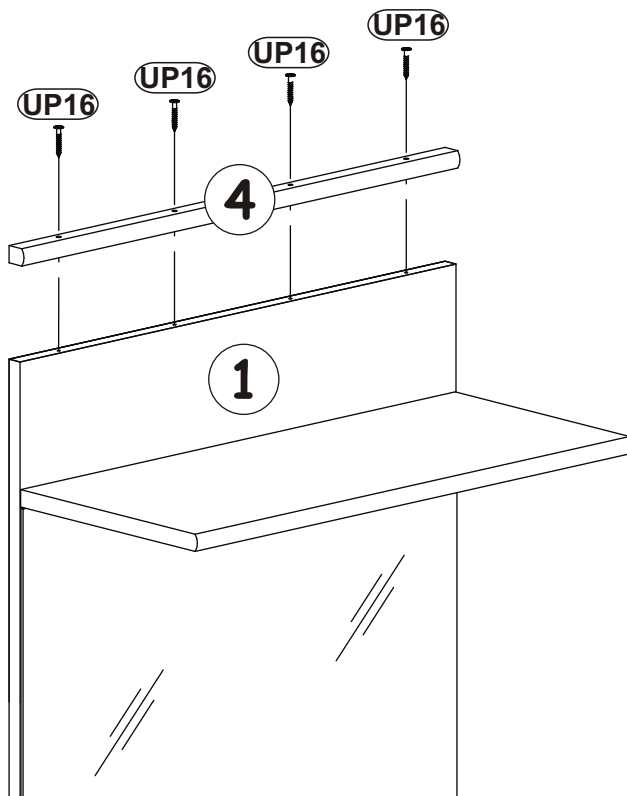
3

B11		G4	
x2	Ø7x50	x2	



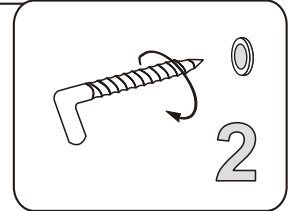
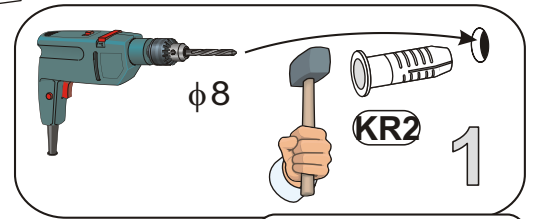
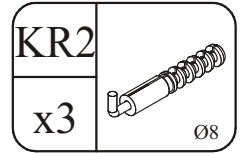
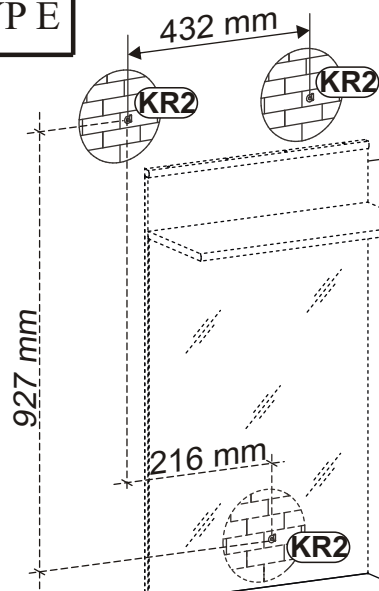
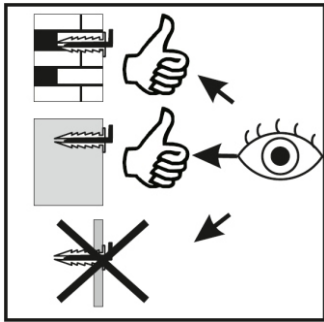
4

UP16	
x4	UPØ4x35



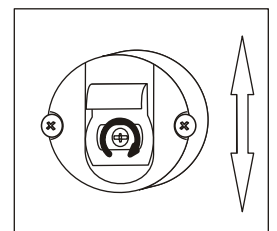
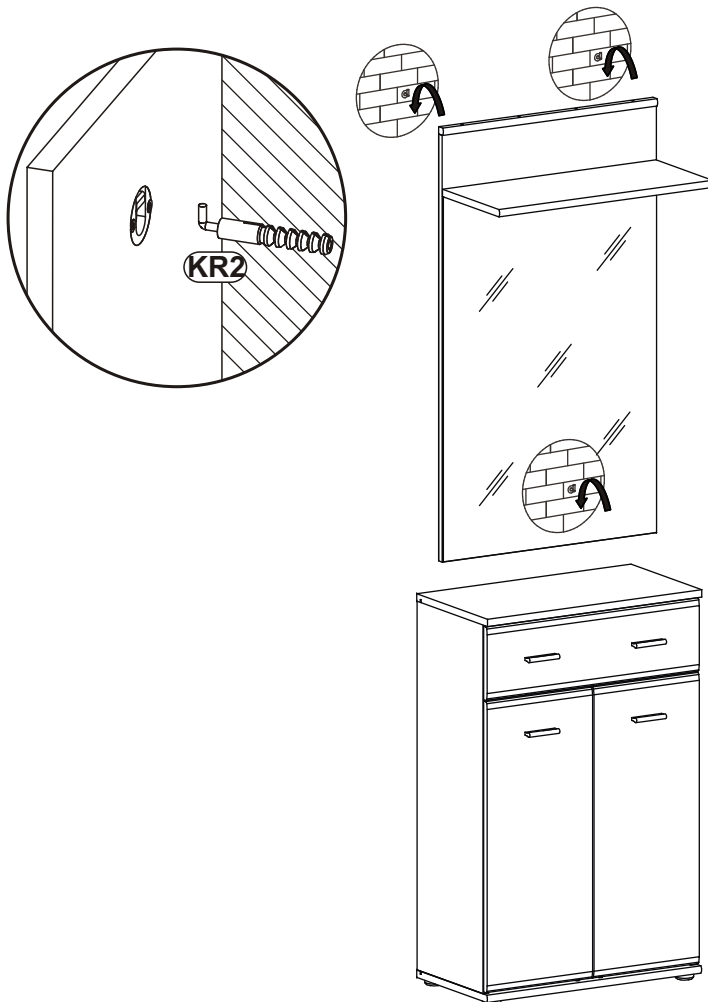
ARMARIO 1 ECO TYPE

5

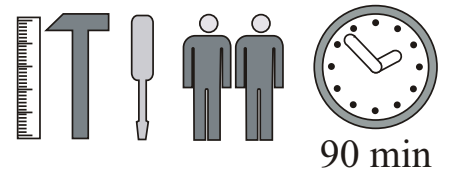
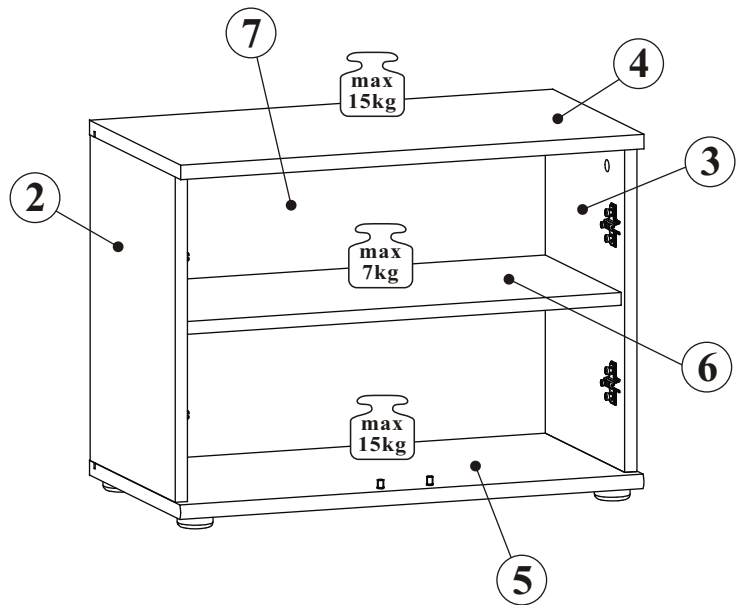
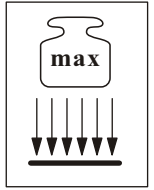
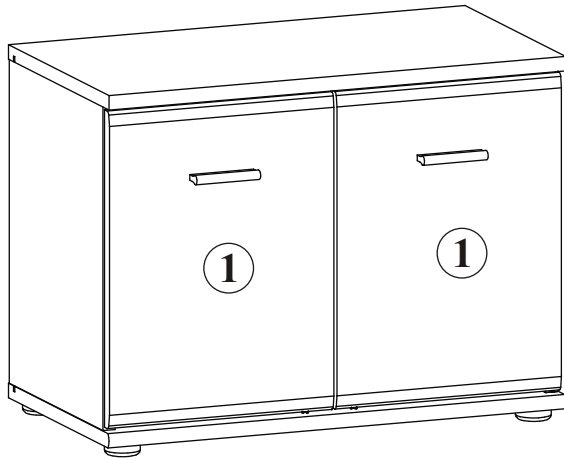


TYP G

6



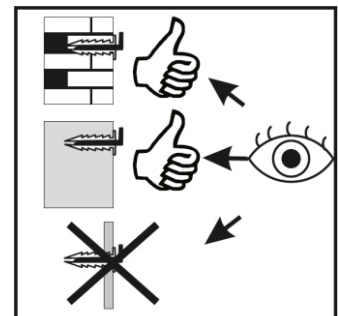
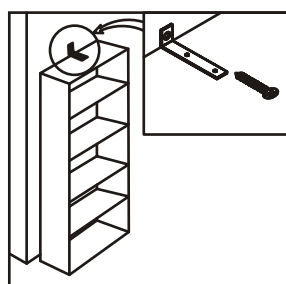
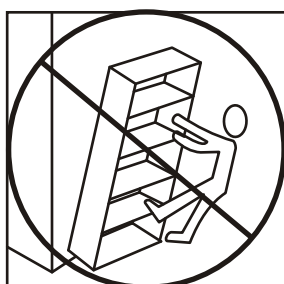
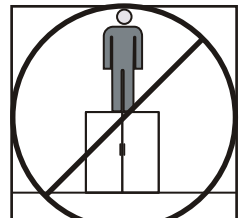
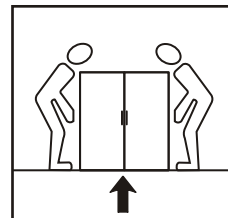
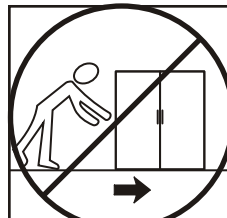
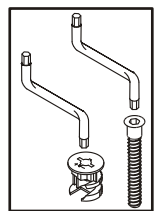
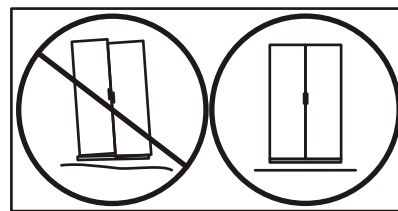
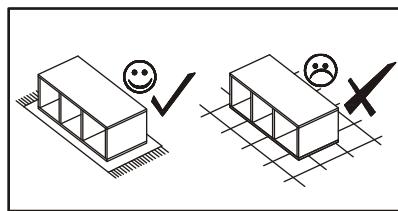
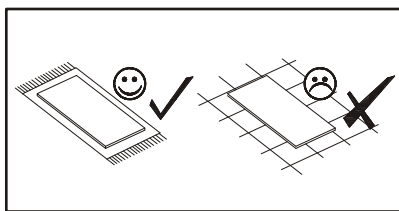
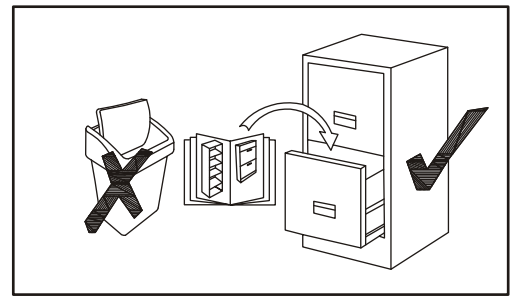
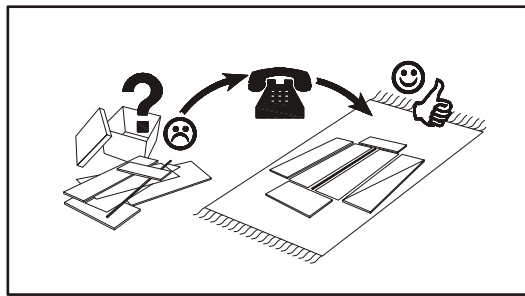
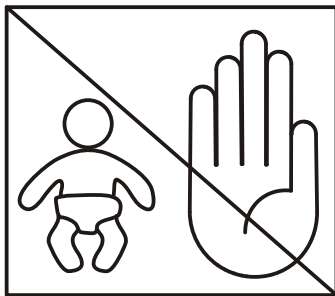
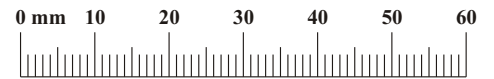
# ARMARIO 1 ECO TYP F



NO	Dim.			Col.-No	Qty
1	396	296	16	1	2
2	404	300	16	1	1
3	404	300	16	1	1
4	602	322	18	1	1
5	602	322	18	1	1
6	568	268	16	1	1
7	415	578	3	1	1

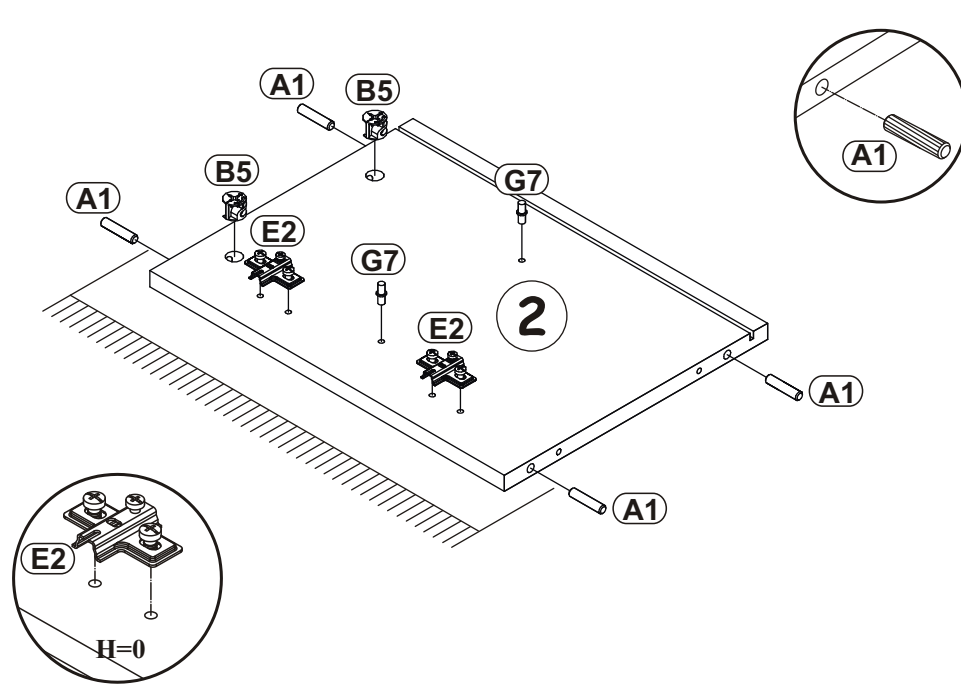
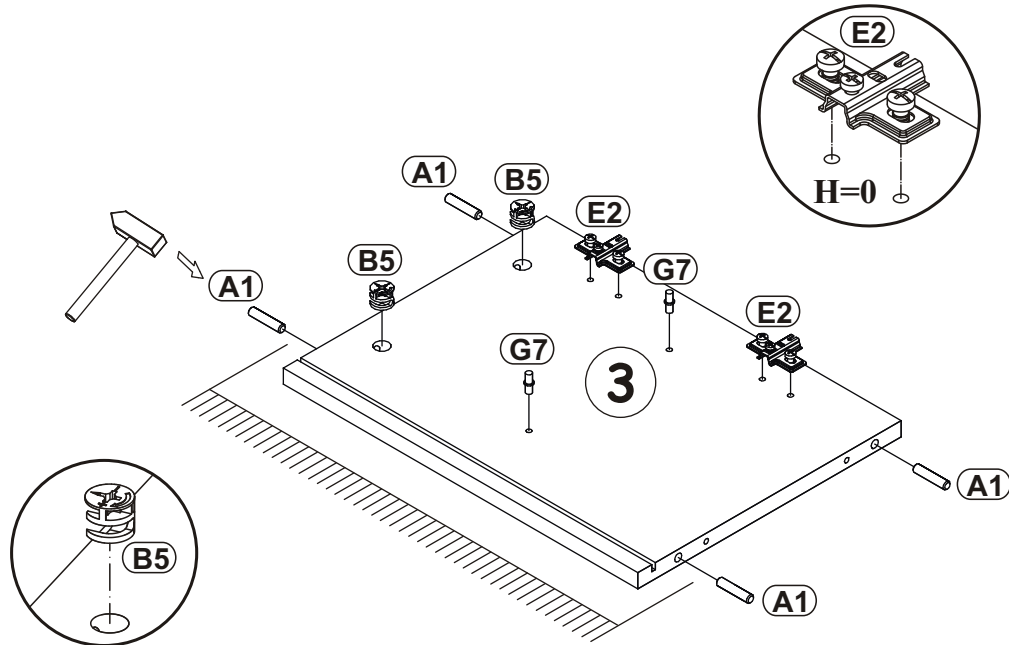
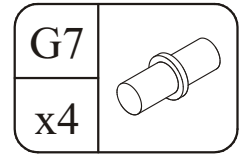
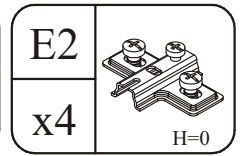
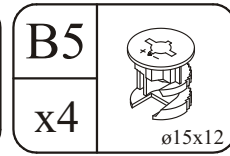
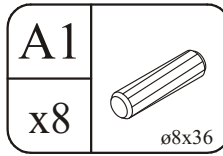
# ARMARIO 1 ECO TYP F

A1 x8 ø8x36	B4 x4	B5 x4 ø15x12	G5 x4	B11 x4 Ø7x50	G4 x4
E1 x4 Ø26 H=0	E2 x4 H=0	D10 x10 USØ3,5x13	KL x2 L-64mm	UP6 x4 UPØ4x30	Z2 x4 Ø5
I11 x4	UP11 x4 UPØ4x20	S1 x6	G20 x2	G7 x4	G2 x1
L1 x1	KR1 x1 Ø8				

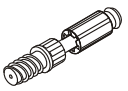


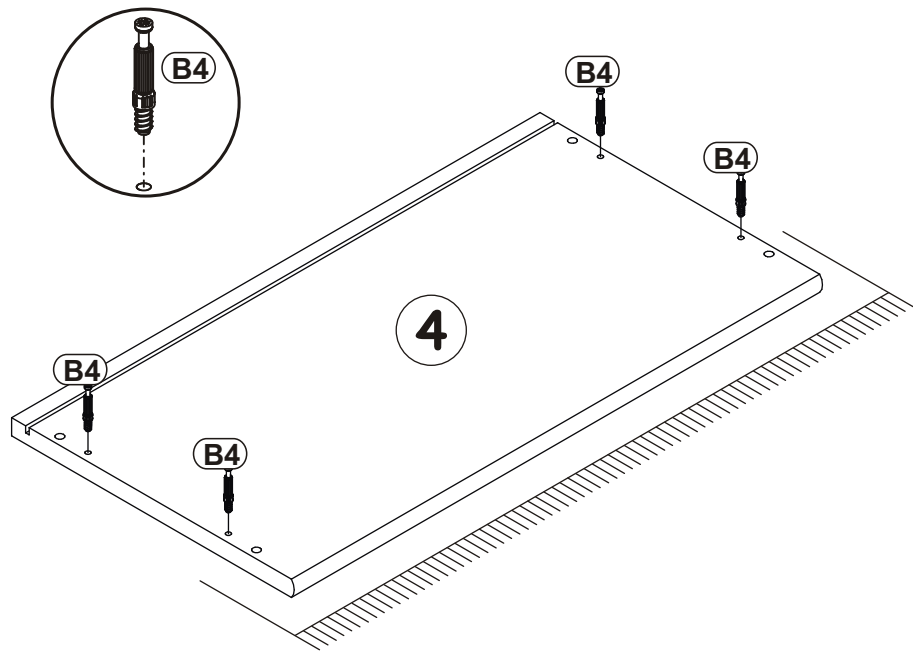
# ARMARIO 1 ECO TYP F

## 1

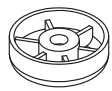

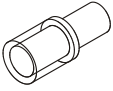


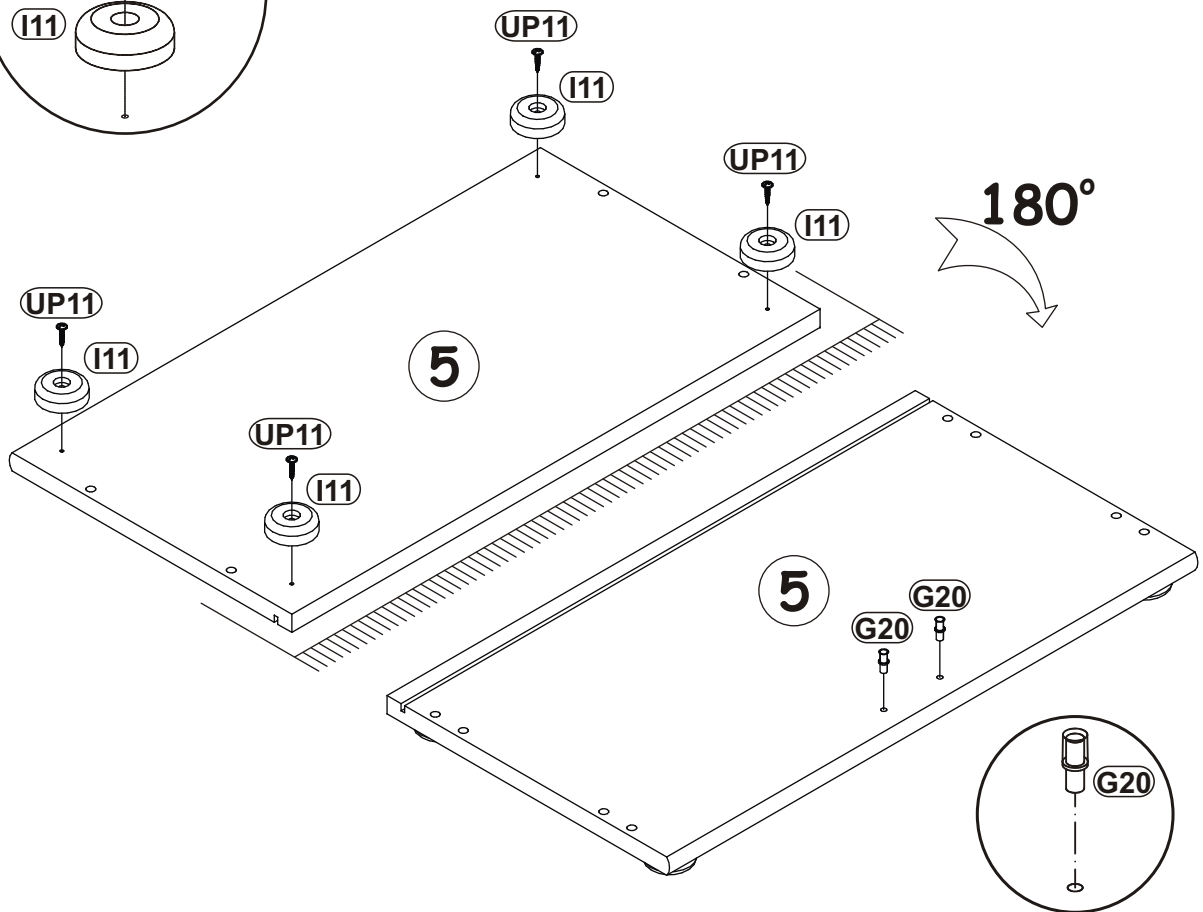
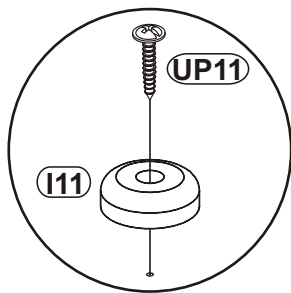
2

B4	
x4	



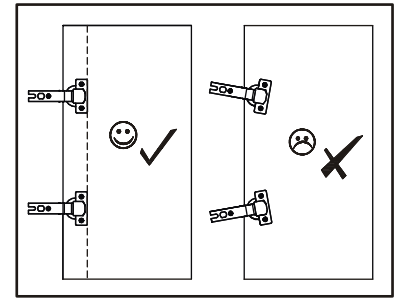
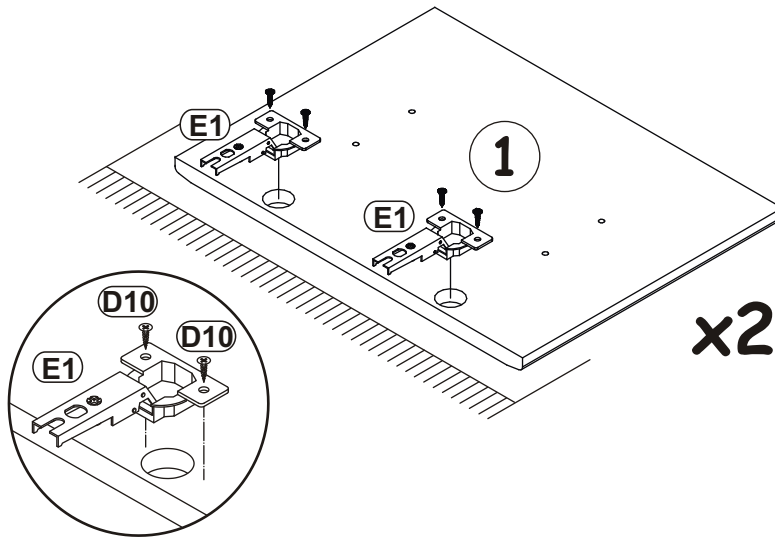
3

I11		UP11		G20	
x4		x4	UPØ4x20	x2	



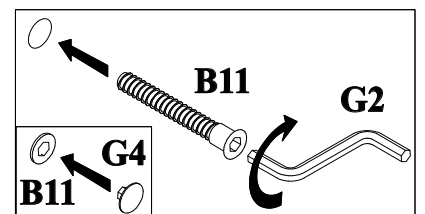
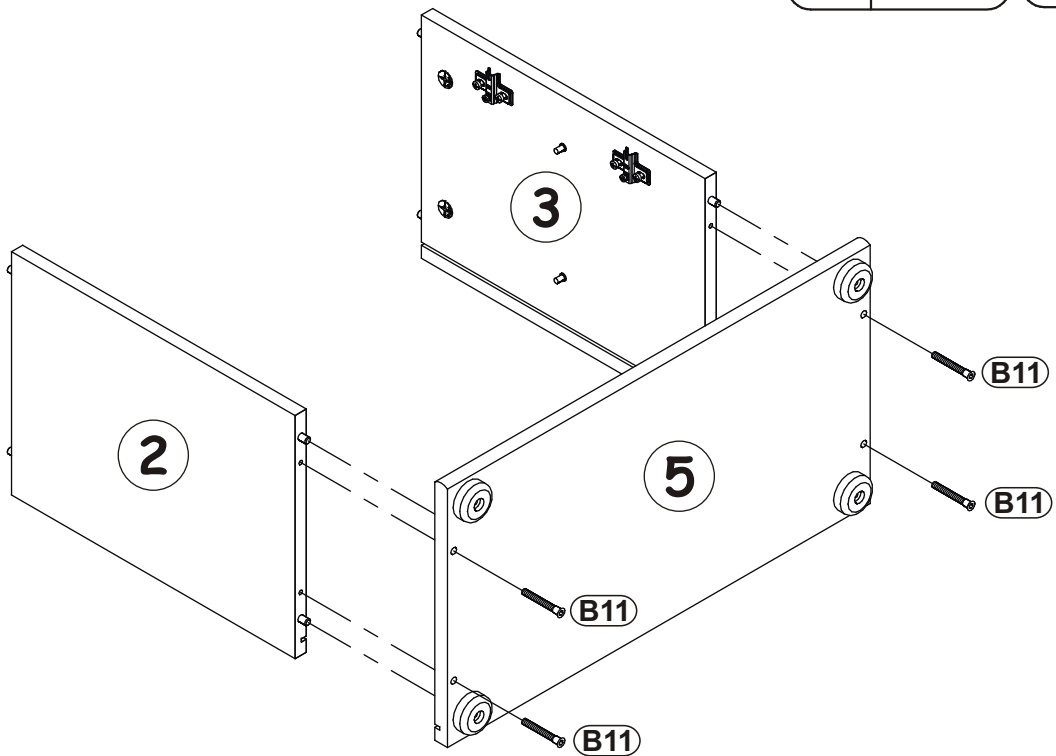
4

E1	Ø26	D10	
x4	H=0	x8	USØ3,5x13




5

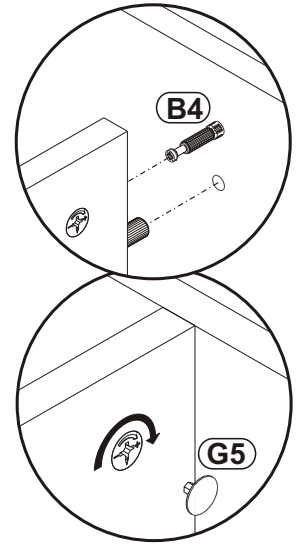
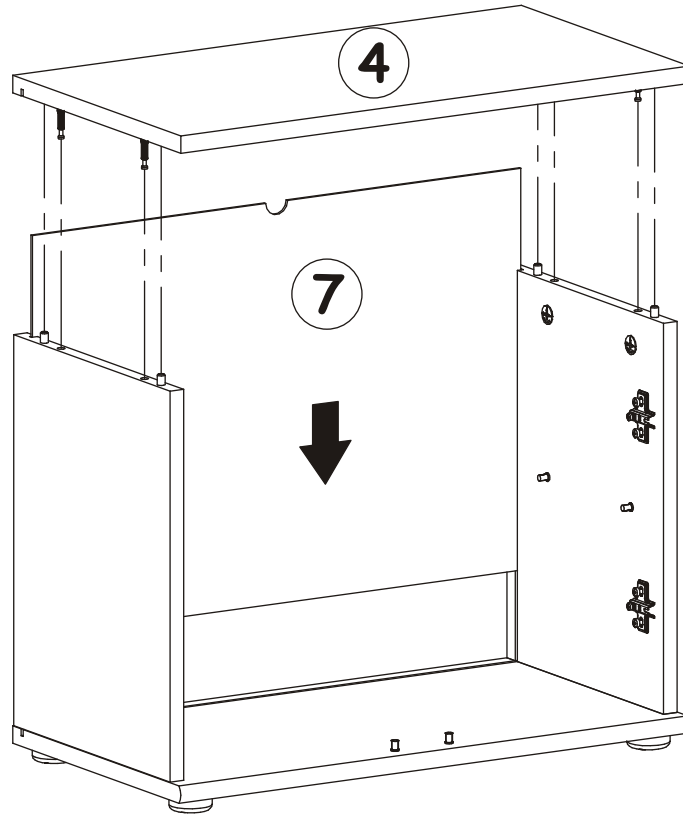
B11		G4	
x4	Ø7x50	x4	






6

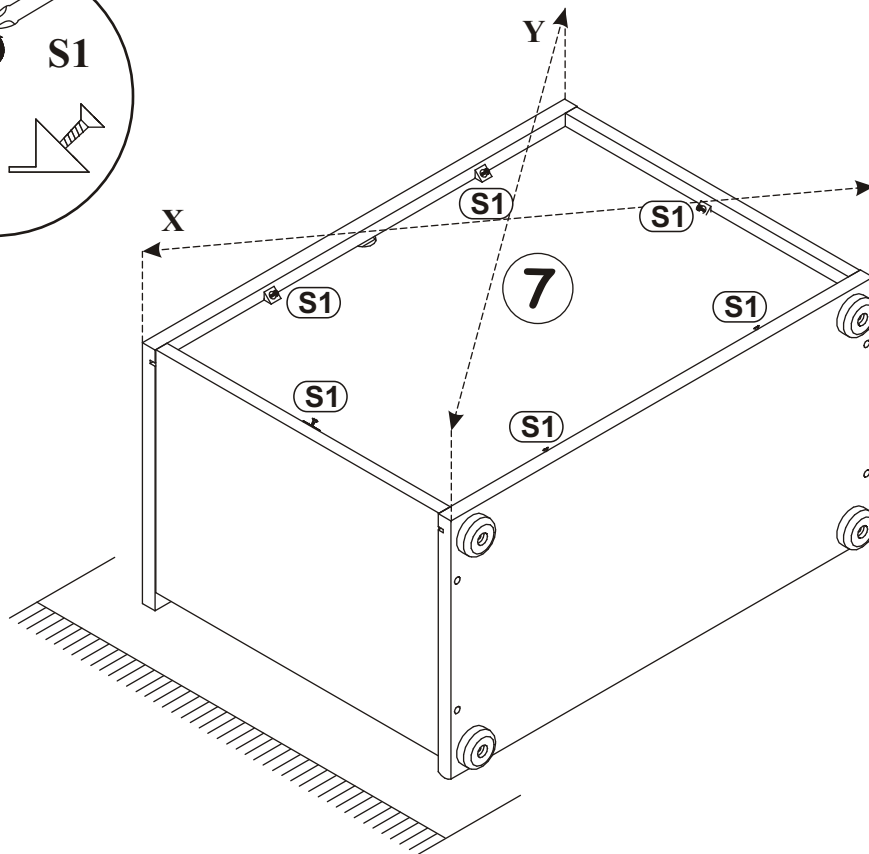
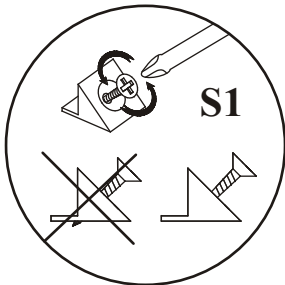
G5	
x4	



7

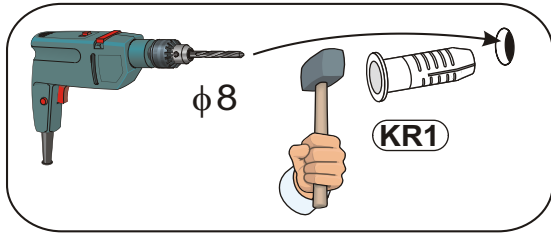
$X=Y$   $\uparrow$  90°

S1	
x6	

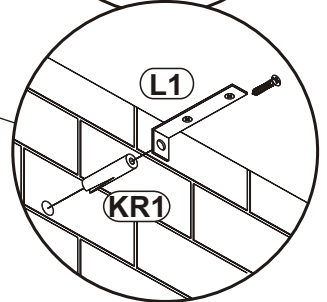
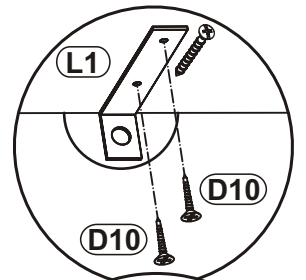
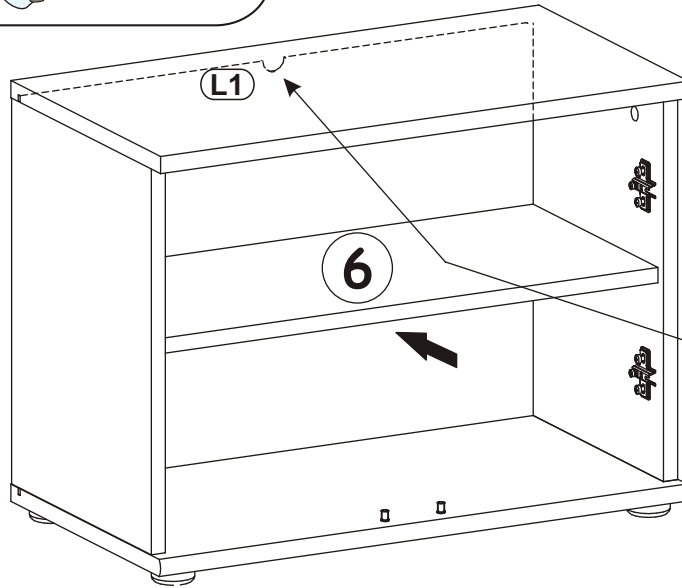
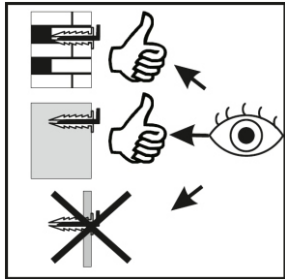


# ARMARIO 1 ECO TYP F

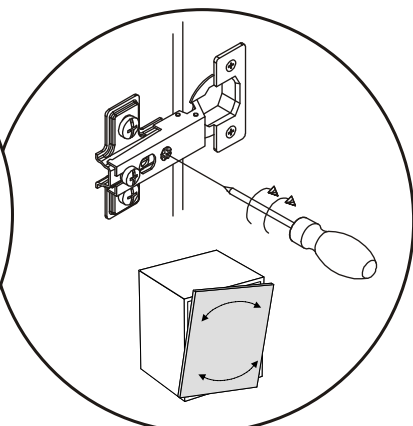
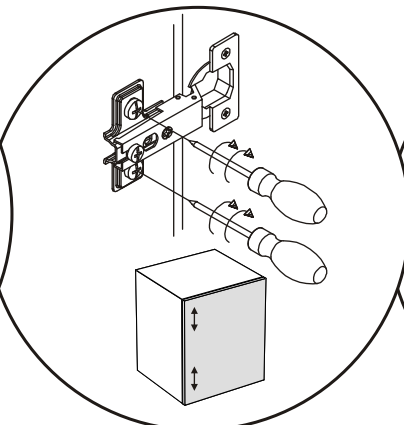
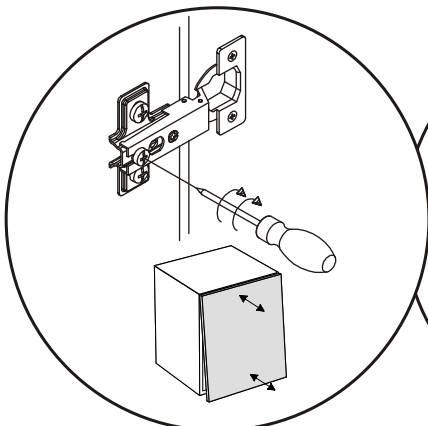
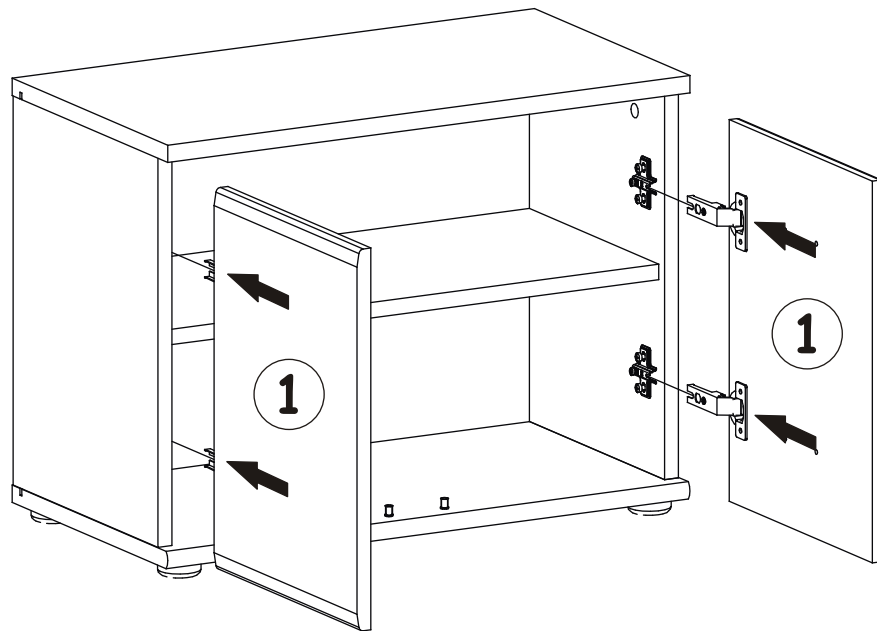
8



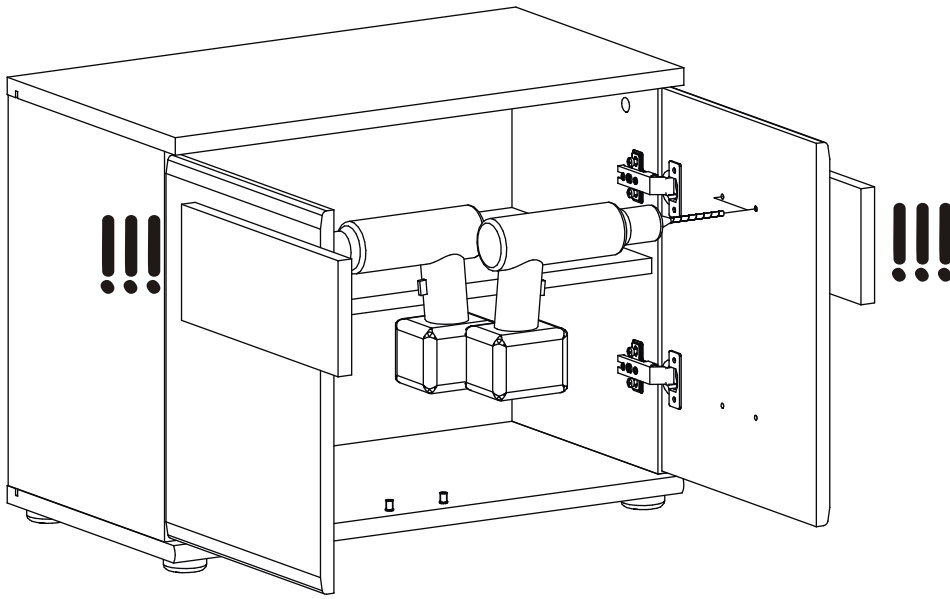
KR1		D10		L1	
x1	∅8	x2	US∅3,5x13	x1	



9

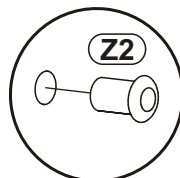
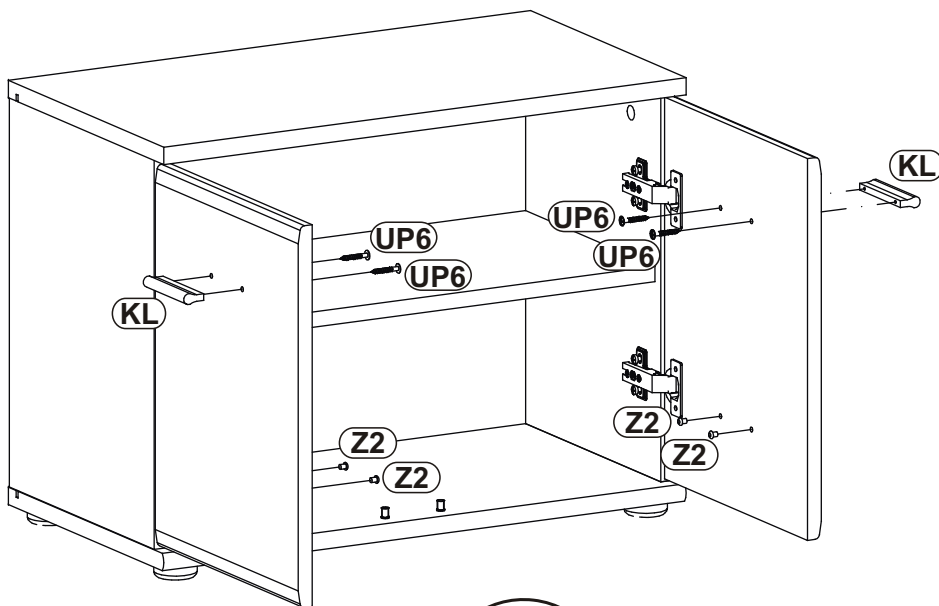


10

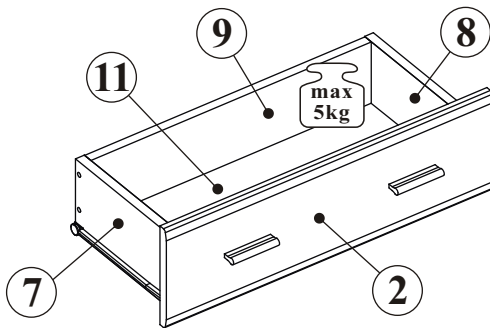
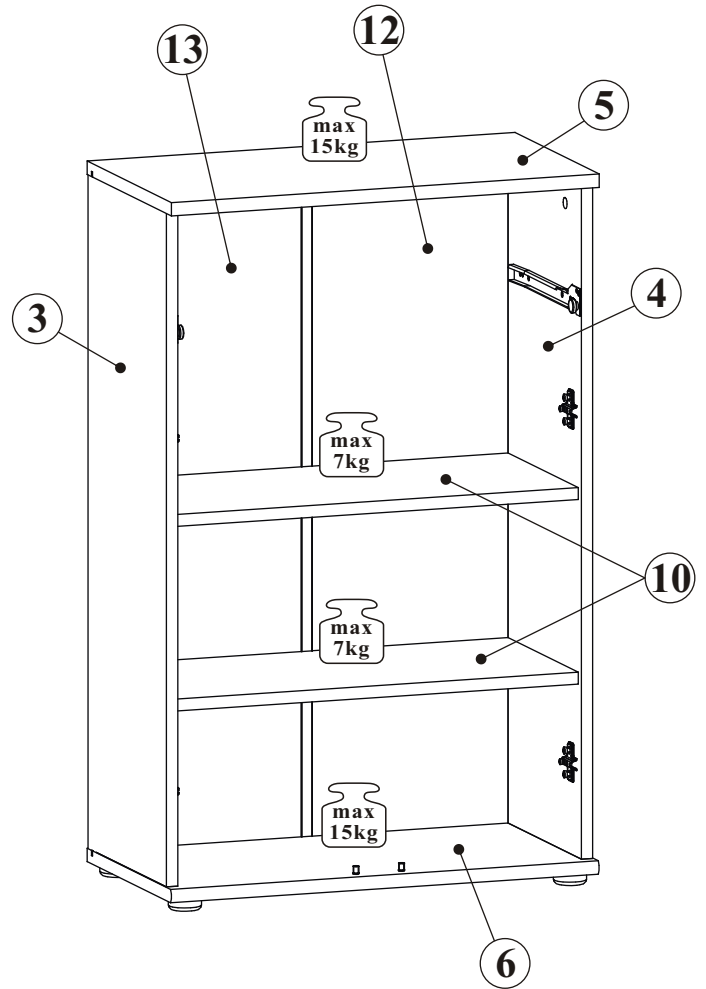
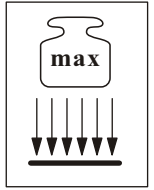
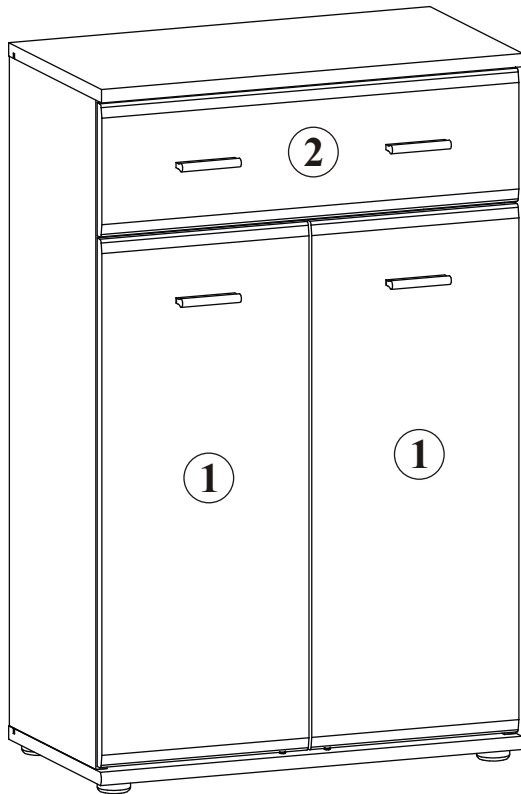


11

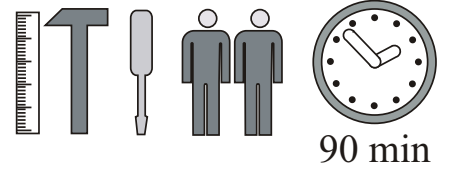
KL		UP6		Z2	
x2	L-64mm	x4	UPØ4x30	x4	Ø5



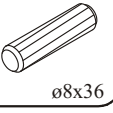
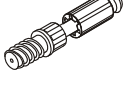


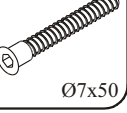

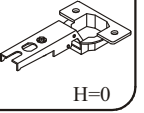
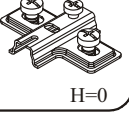

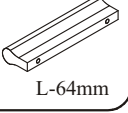


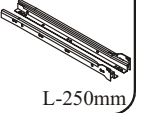

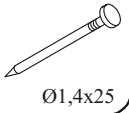
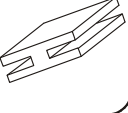
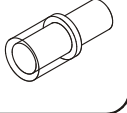
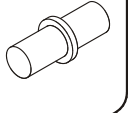
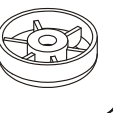

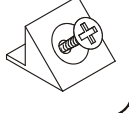
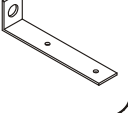
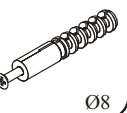
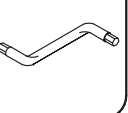
# ARMARIO 1 ECO TYP G

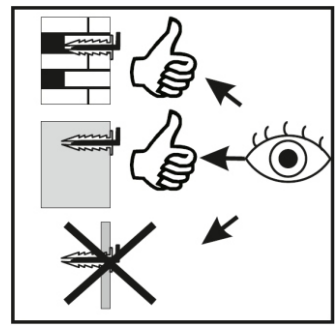
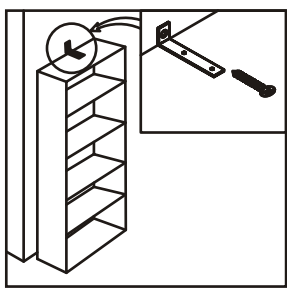
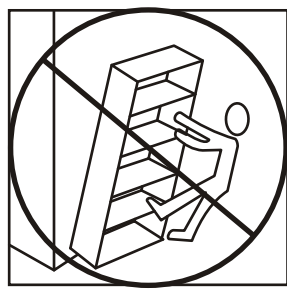
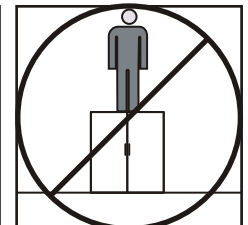
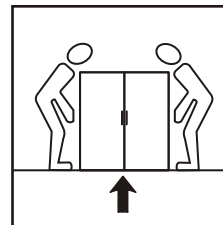
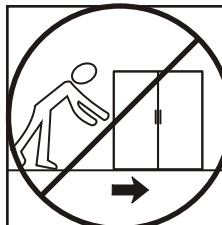
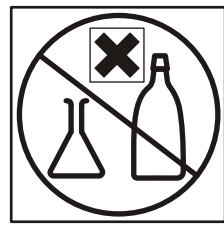
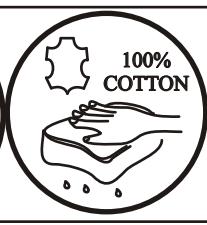
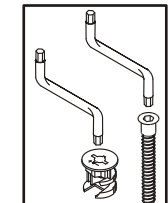
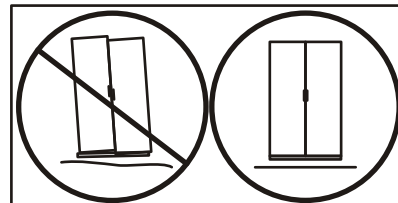
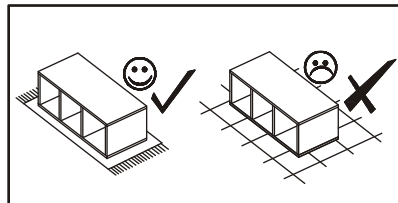
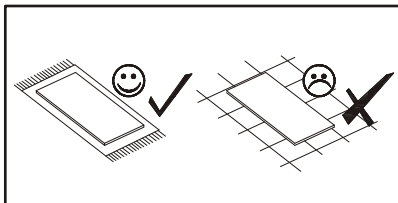
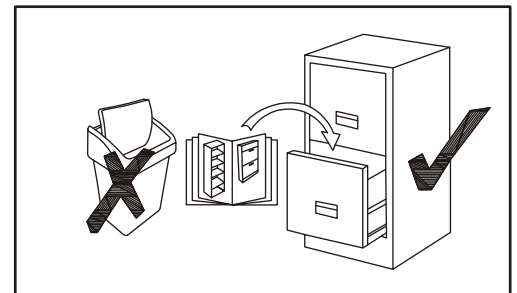
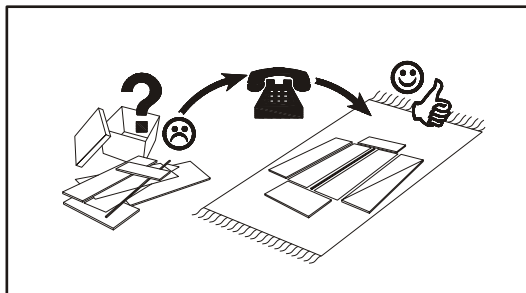
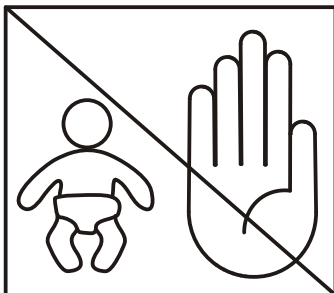
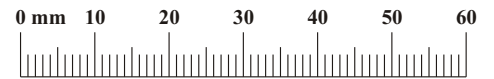


NO	Dim.			Col.-No	Qty
1	714	296	16	1	2
2	596	180	16	1	1
3	905	300	16	1	1
4	905	300	16	1	1
5	602	322	18	1	1
6	602	322	18	1	1
7	250	132	16	1	1
8	250	132	16	1	1
9	511	112	16	1	1
10	568	268	16	1	2
11	523	253	3	1	1
12	916	289	3	1	1
13	916	289	3	1	1



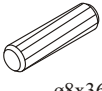

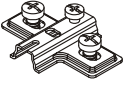
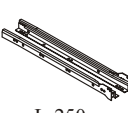

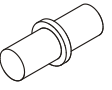
# ARMARIO 1 ECO TYP G

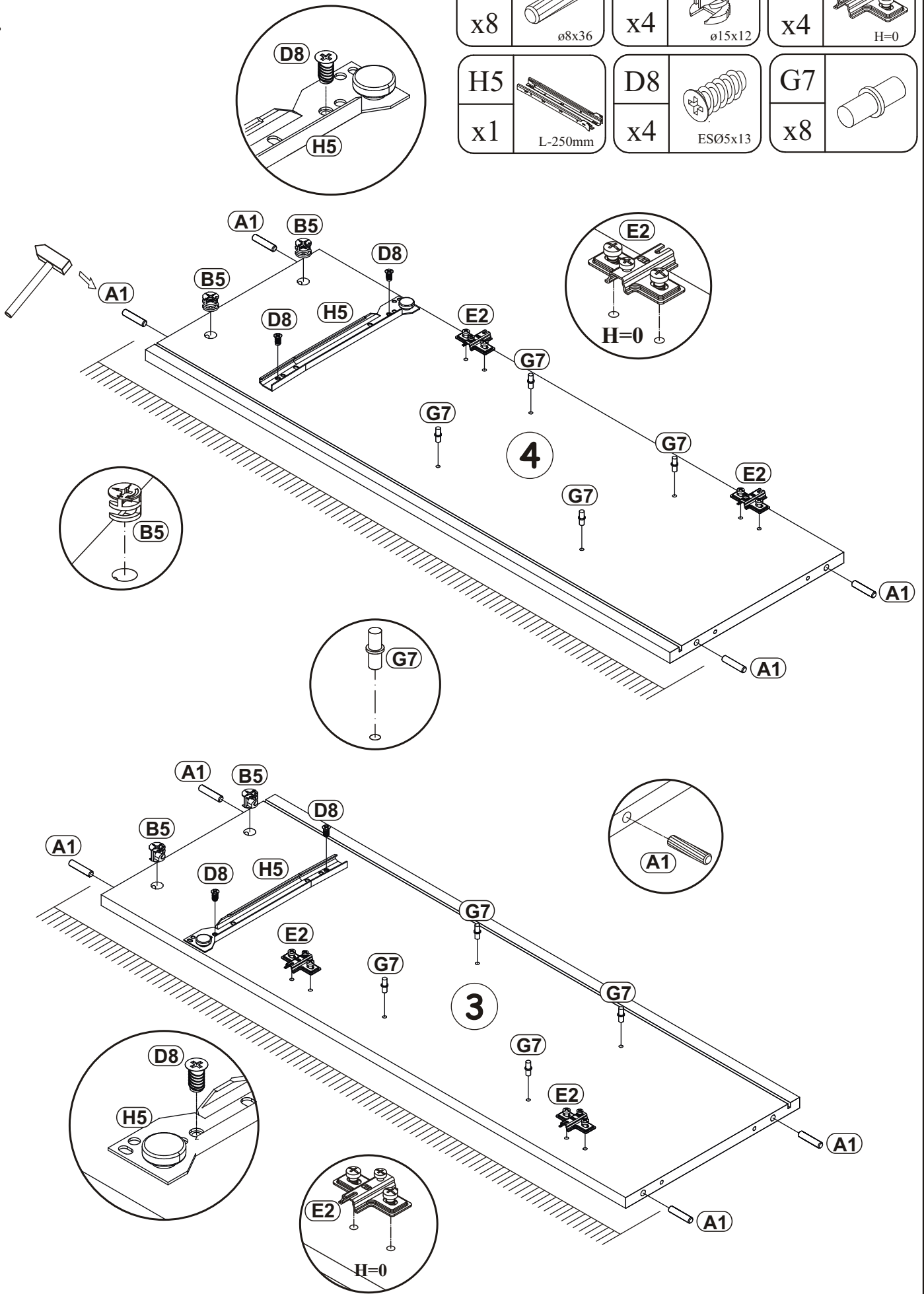
A1 x12  ø8x36	B4 x6 	B5 x6  ø15x12	G5 x6 	B11 x8  ø7x50	G4 x8 
E1 x4  H=0	E2 x4  H=0	D10 x14  USØ3,5x13	KL x4  L-64mm	UP6 x8  UPØ4x30	Z2 x4  Ø5
H5 x1  L-250mm	D8 x4  ESØ5x13	B3 x5  Ø1,4x25	G8 x1 	G20 x2 	G7 x8 
I11 x4 	UP11 x4  UPØ4x20	S1 x12 	L1 x1 	KR1 x1  Ø8	G2 x1 



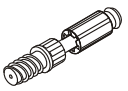
# ARMARIO 1 ECO TYP G

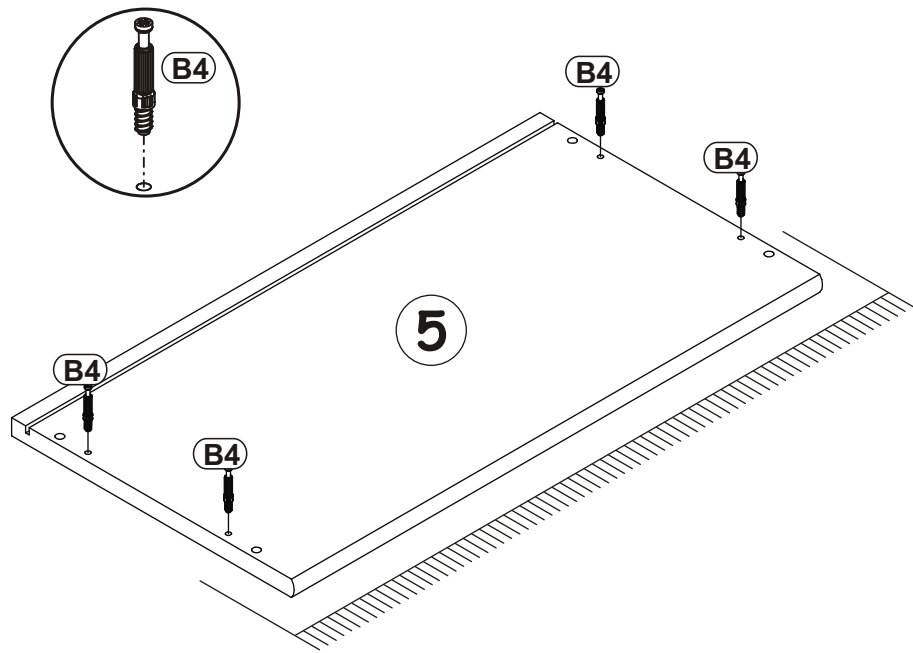
## 1

A1 x8	 ø8x36	B5 x4	 ø15x12	E2 x4	 H=0
H5 x1	 L-250mm	D8 x4	 ESØ5x13	G7 x8	

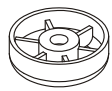

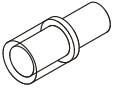


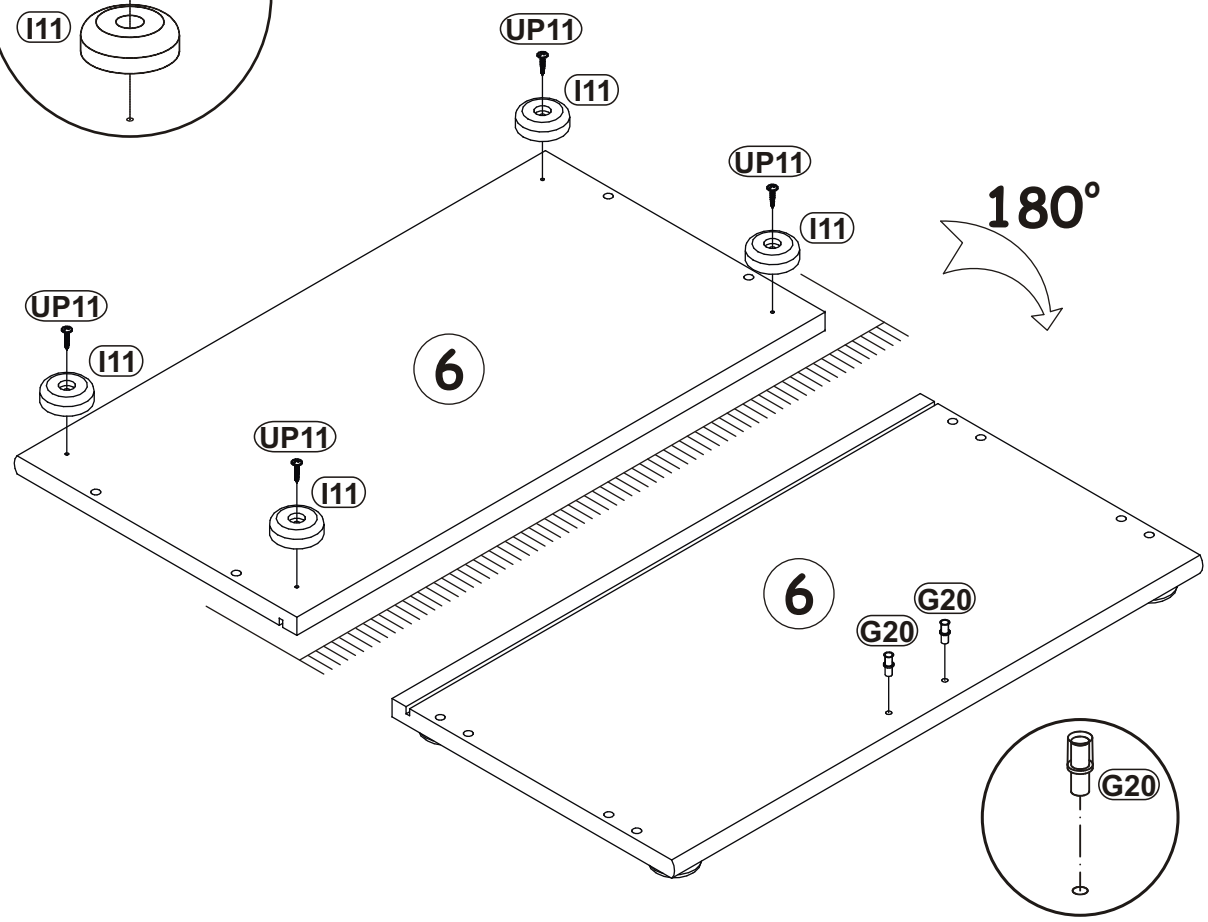
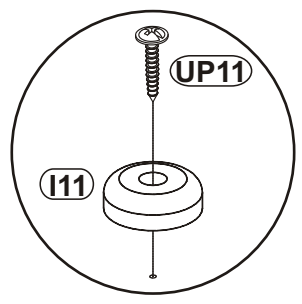
2

B4	
x4	

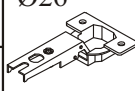
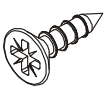


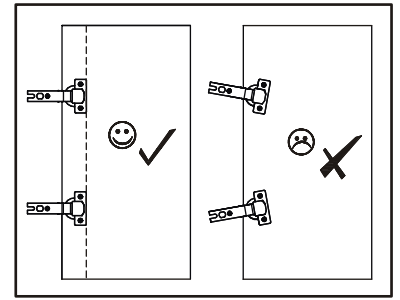
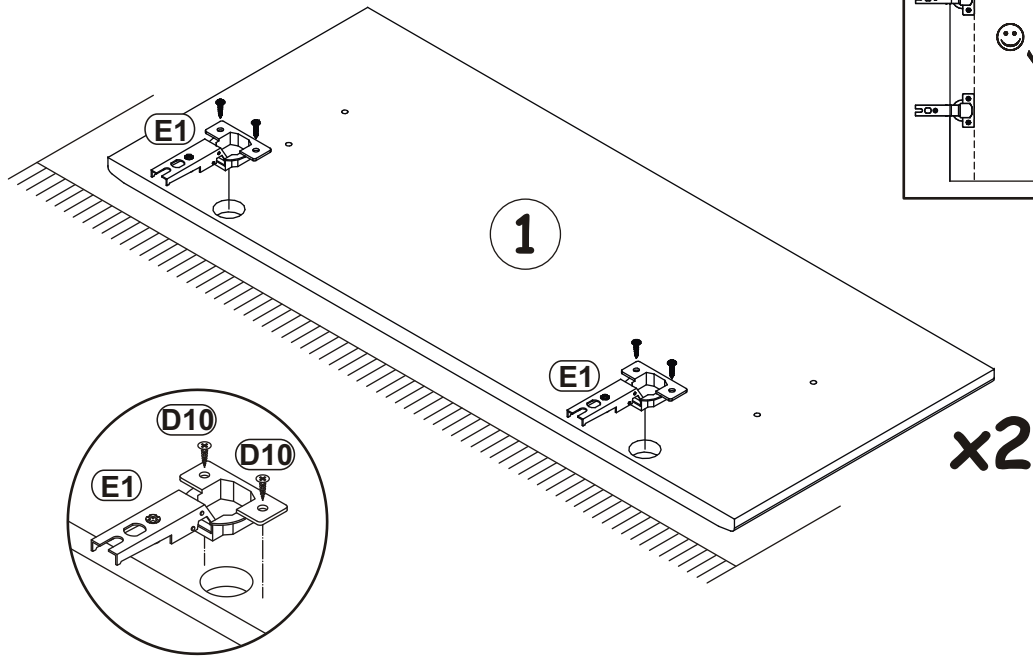
3

I11		UP11		G20	
x4		x4	UPØ4x20	x2	

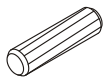
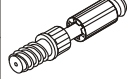



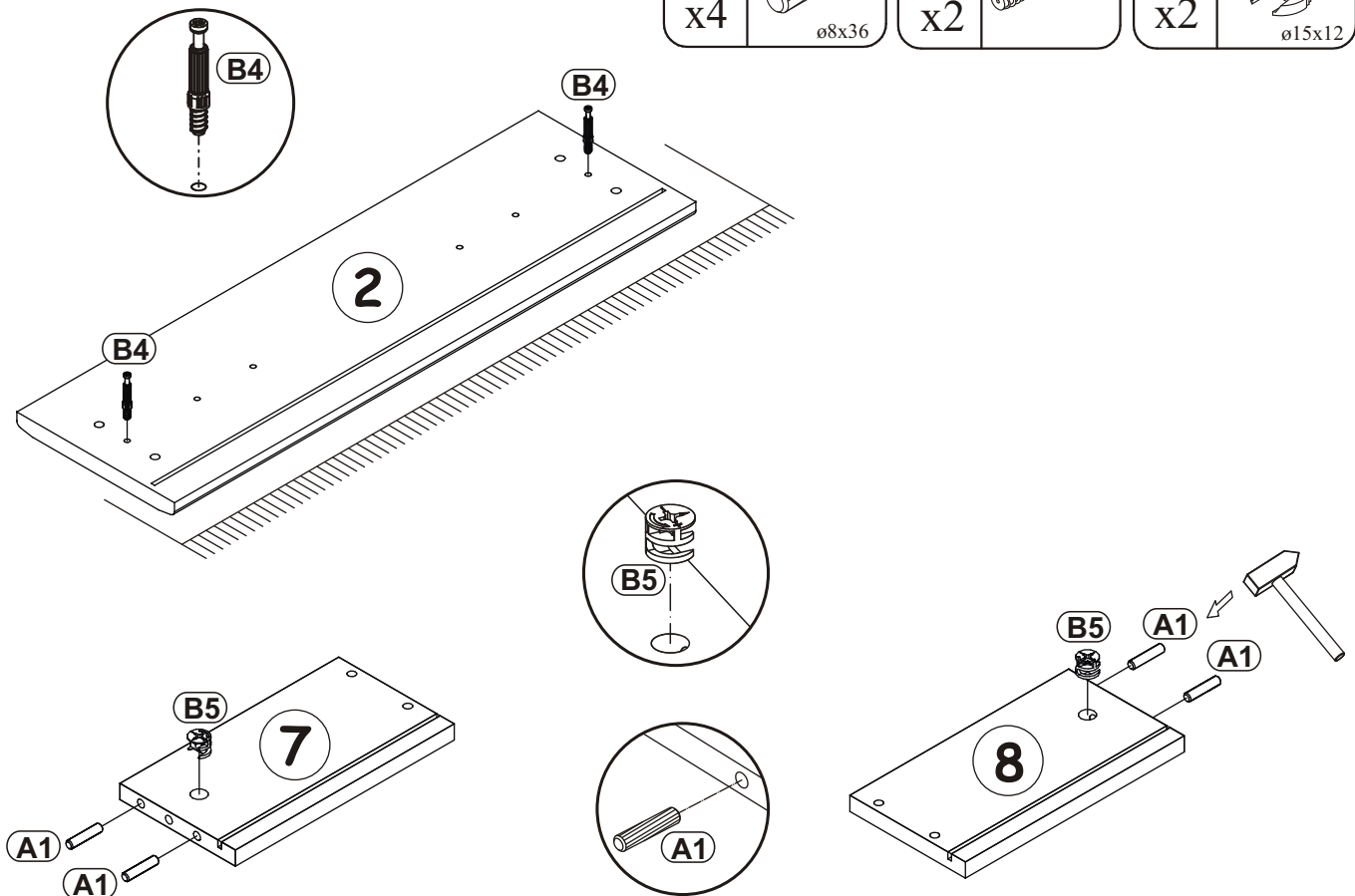
4

E1	Ø26	D10	
x4	 H=0	x8	 USØ3,5x13





5

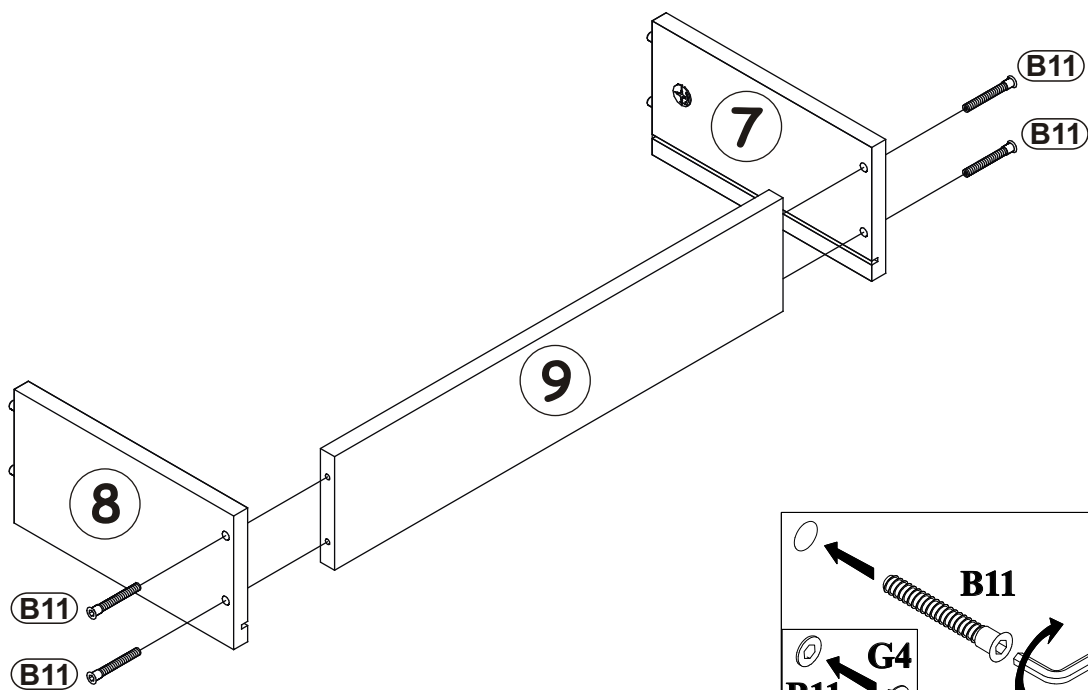
A1	B4	B5	
x4	 ø8x36	x2	
		x2	 ø15x12






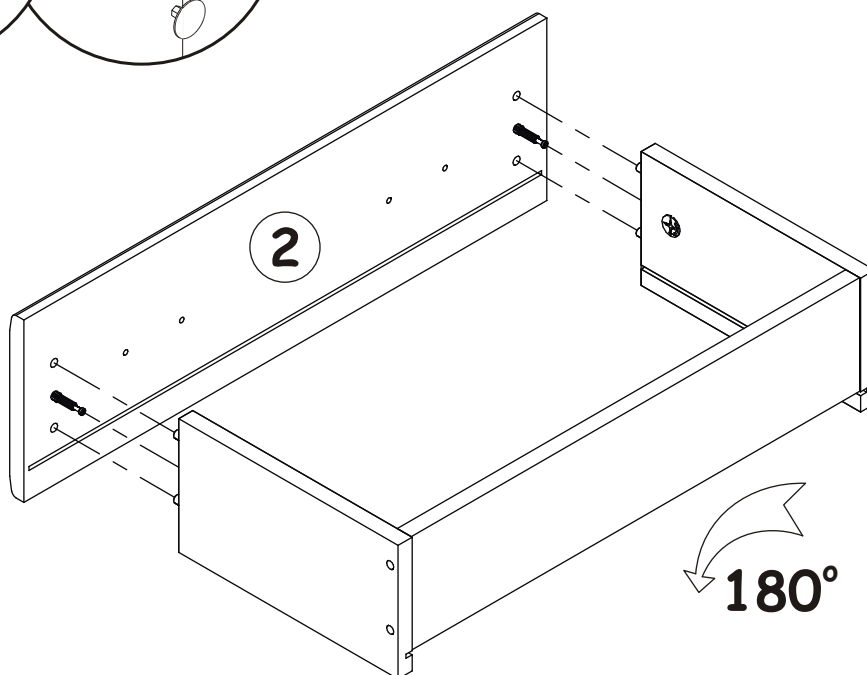
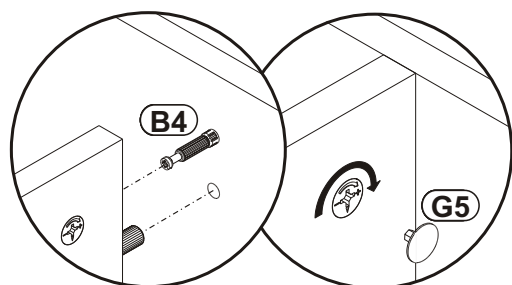
6

B11		G4	
x4	Ø7x50	x4	

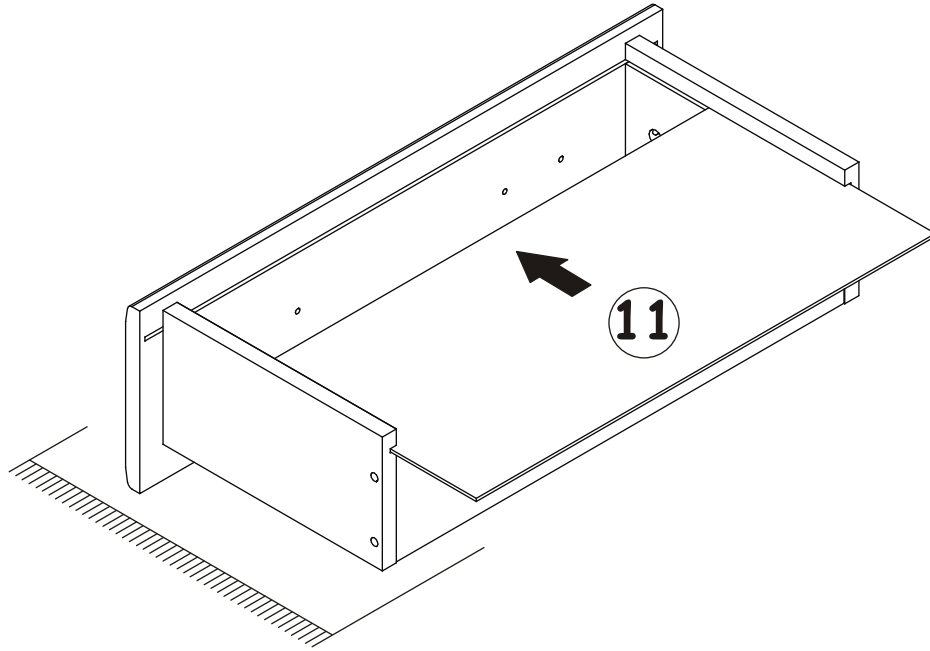


7

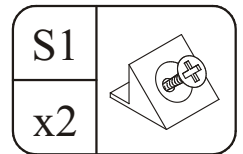
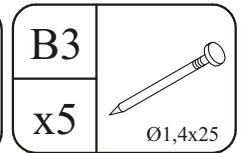
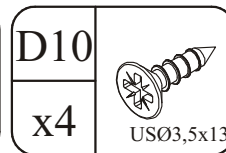
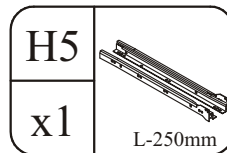
G5	
x2	



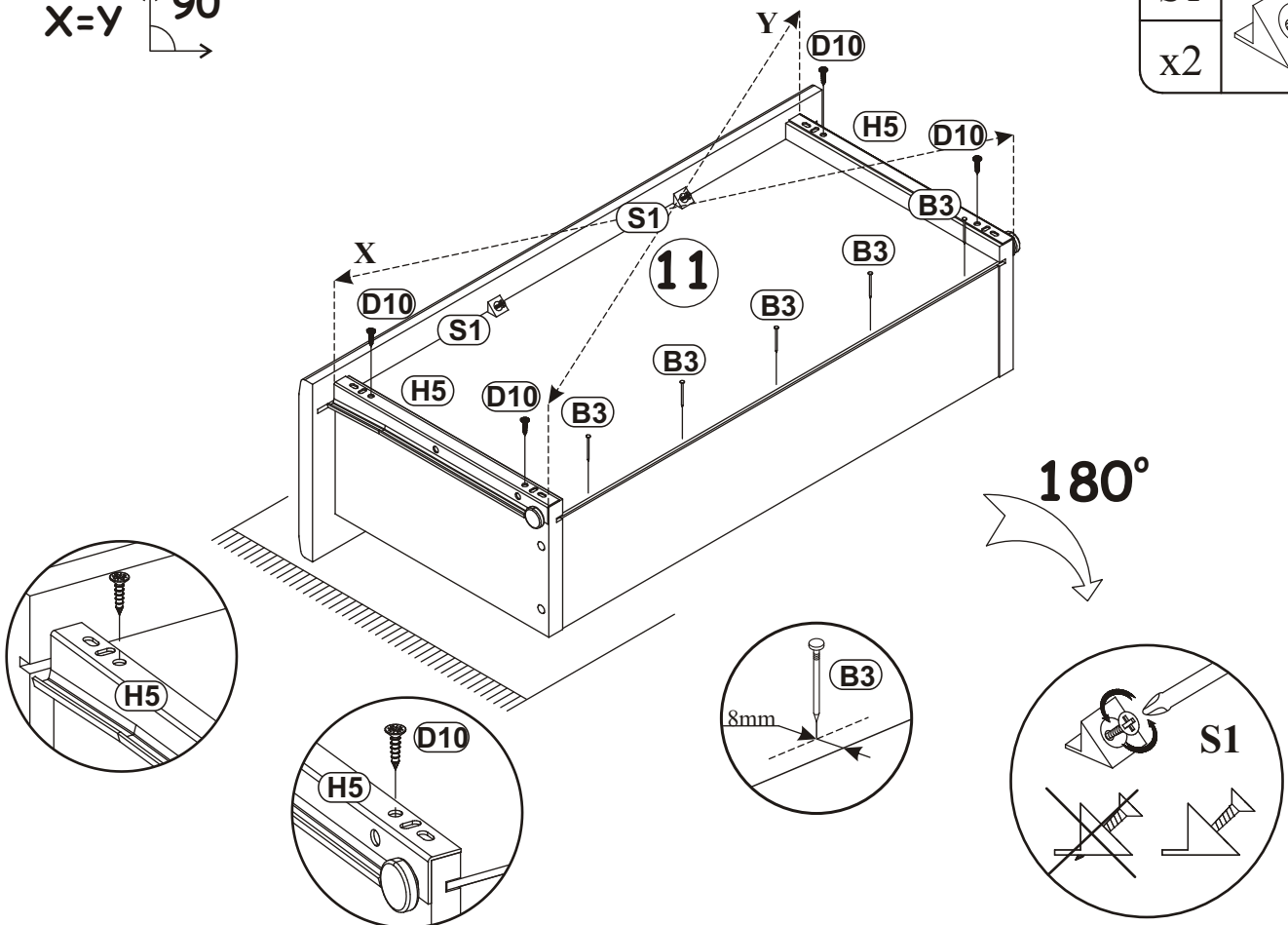
8



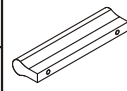
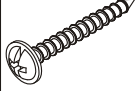
9

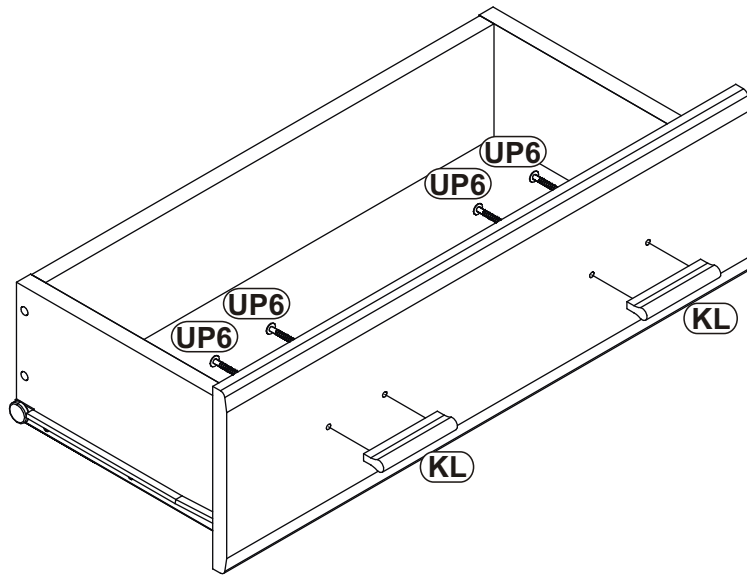


X=Y  $90^\circ$





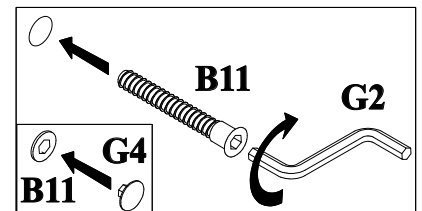
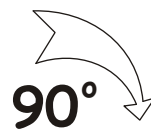
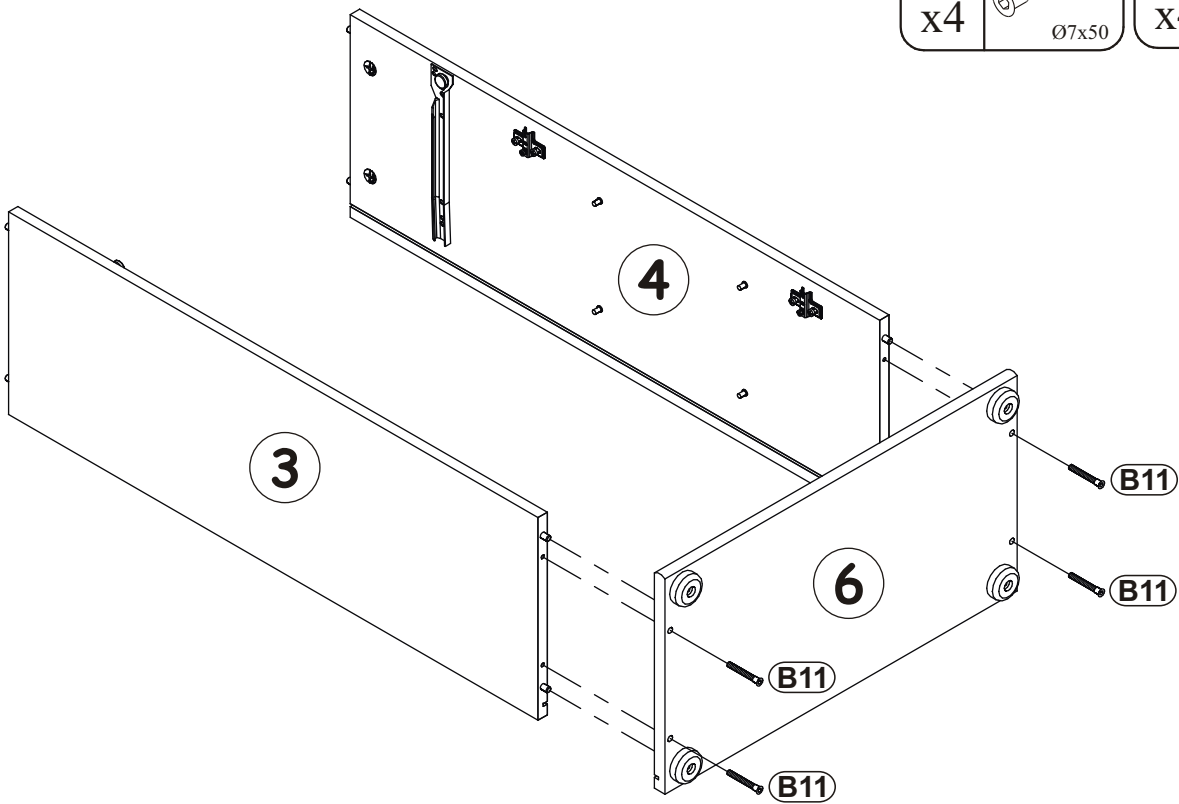
10

KL		UP6	
x2	L-64mm	x4	UPØ4x30

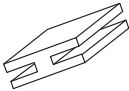


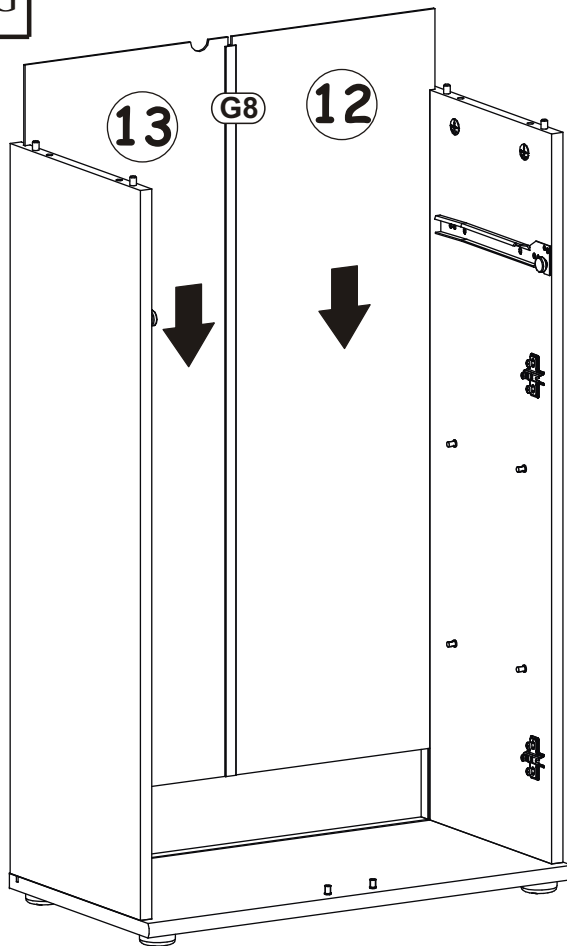
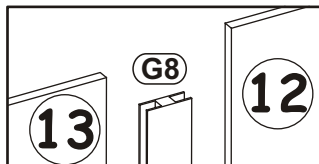
11

B11		G4	
x4	Ø7x50	x4	




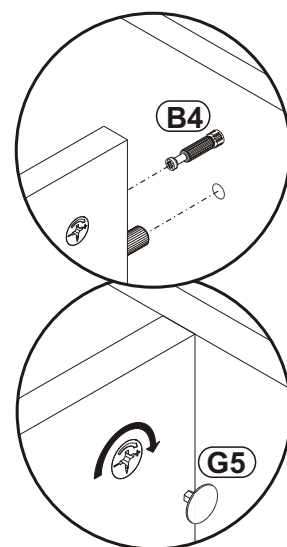
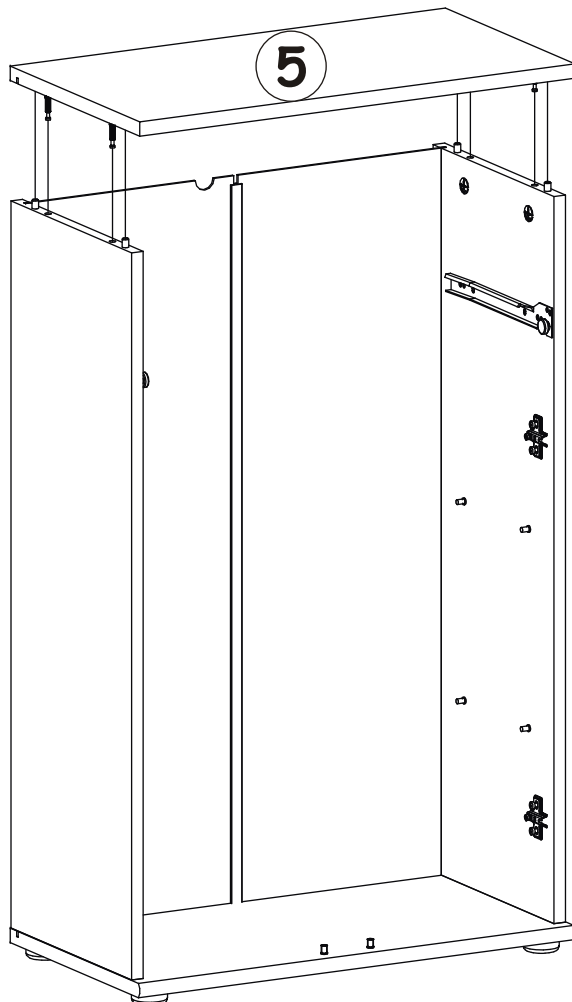
12

G8	
x1	



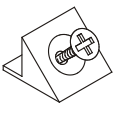
13

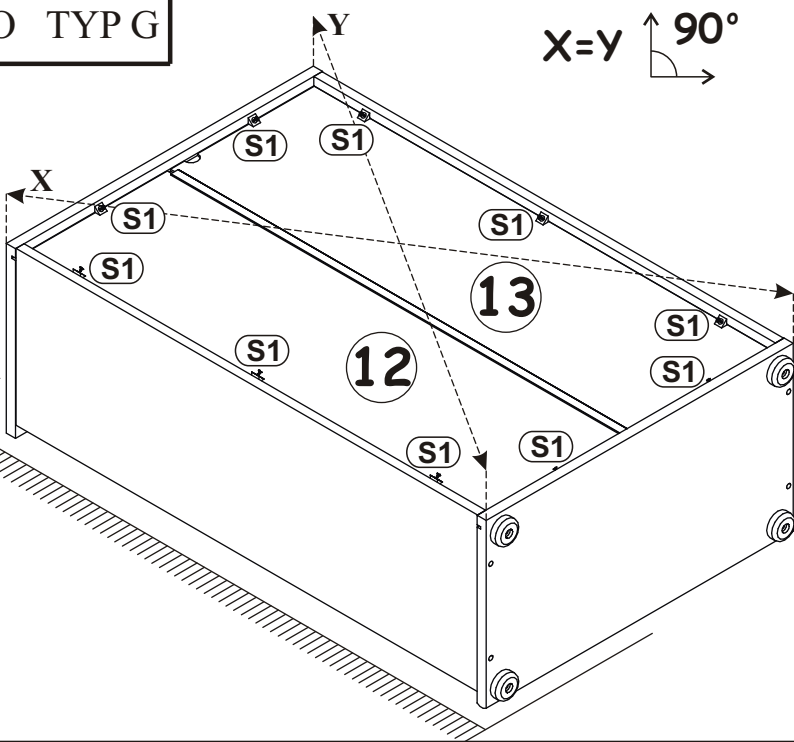
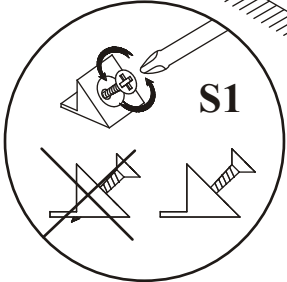
G5	
x4	



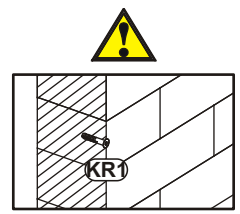
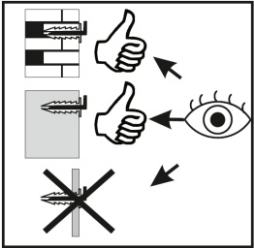
14

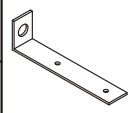
$X=Y$   $90^\circ$


S1	
x10	




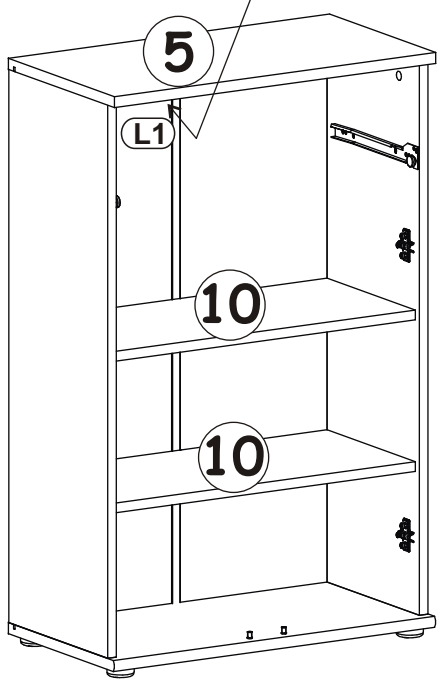
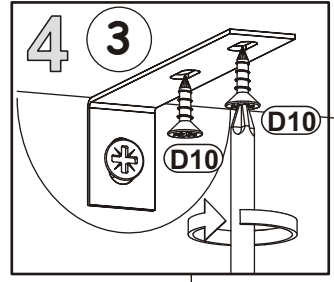
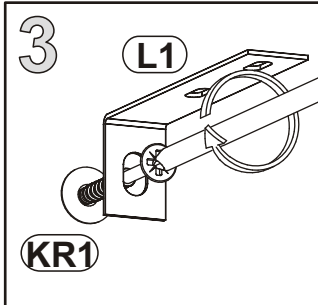
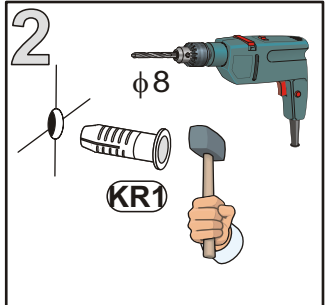
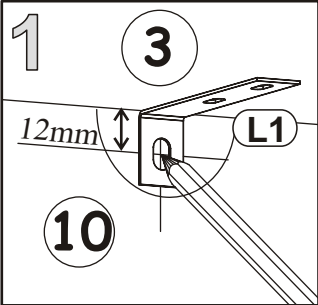
15



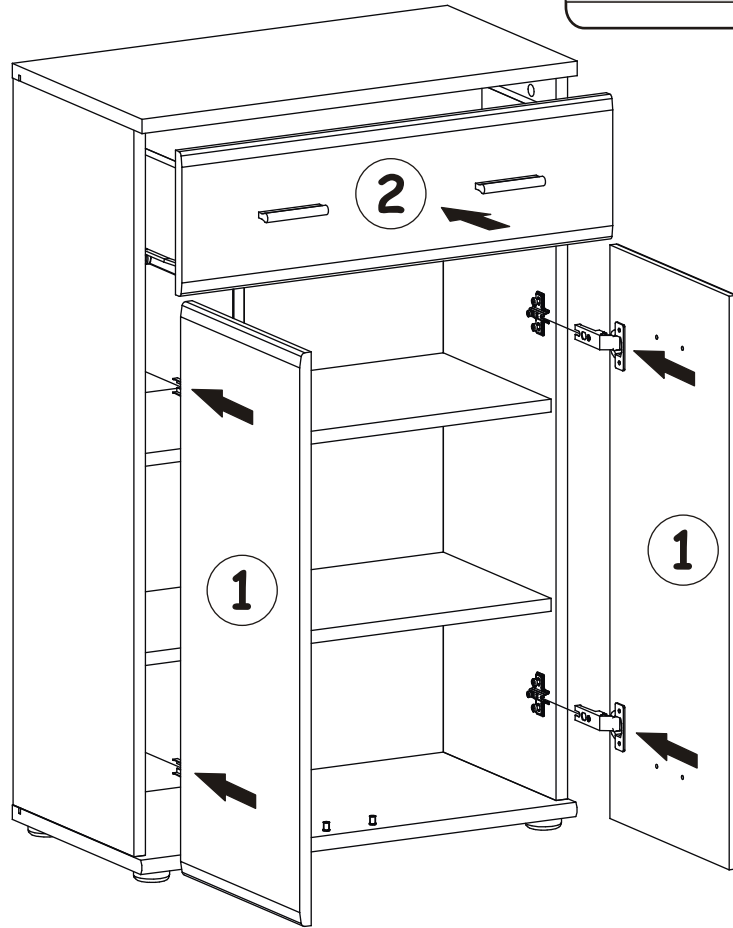
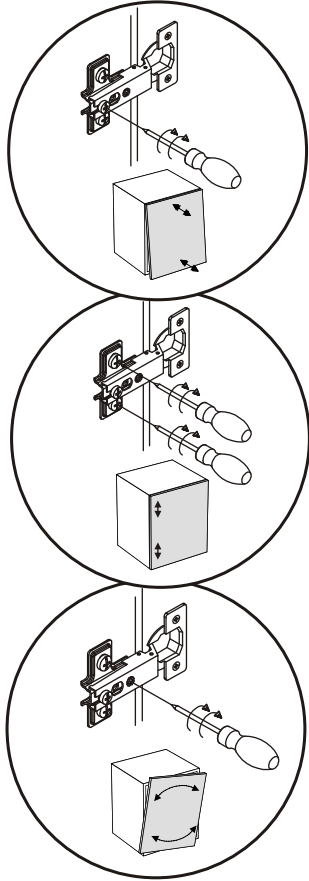
L1	
x1	

KR1	
x1	$\varnothing 8$

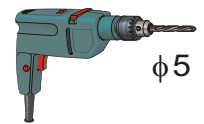
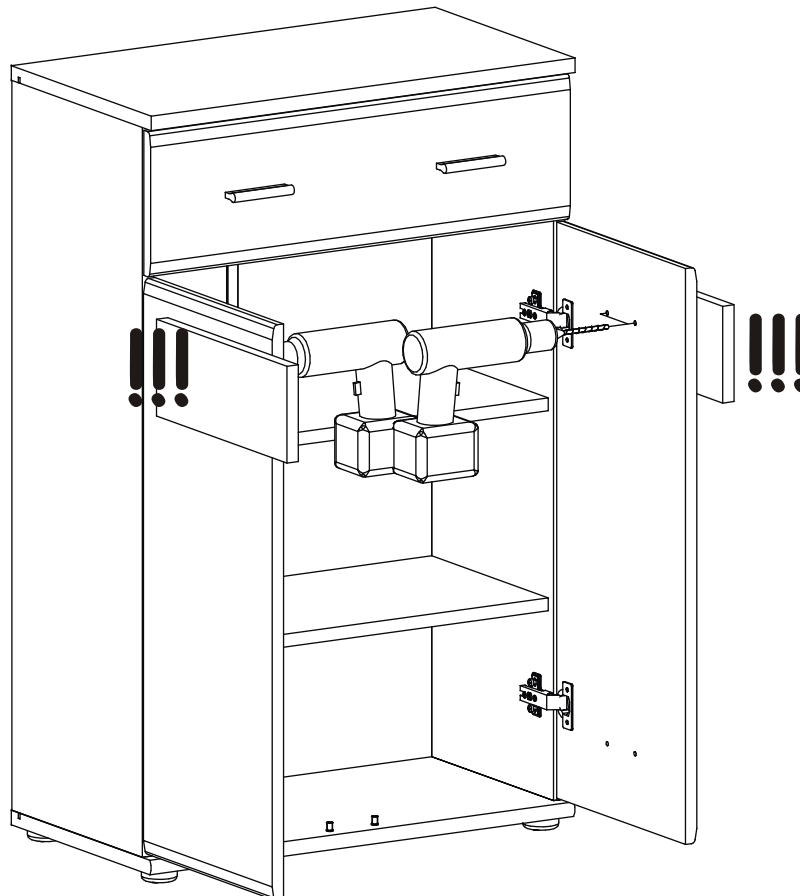
D10	
x2	US $\varnothing 3,5 \times 13$



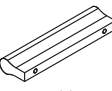
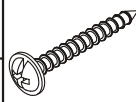

16



17



18

KL		UP6		Z2	
x2	L-64mm	x4	UP04x30	x4	Ø5

