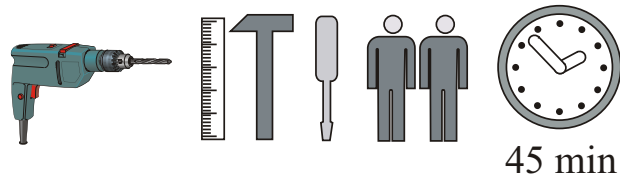
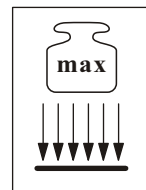
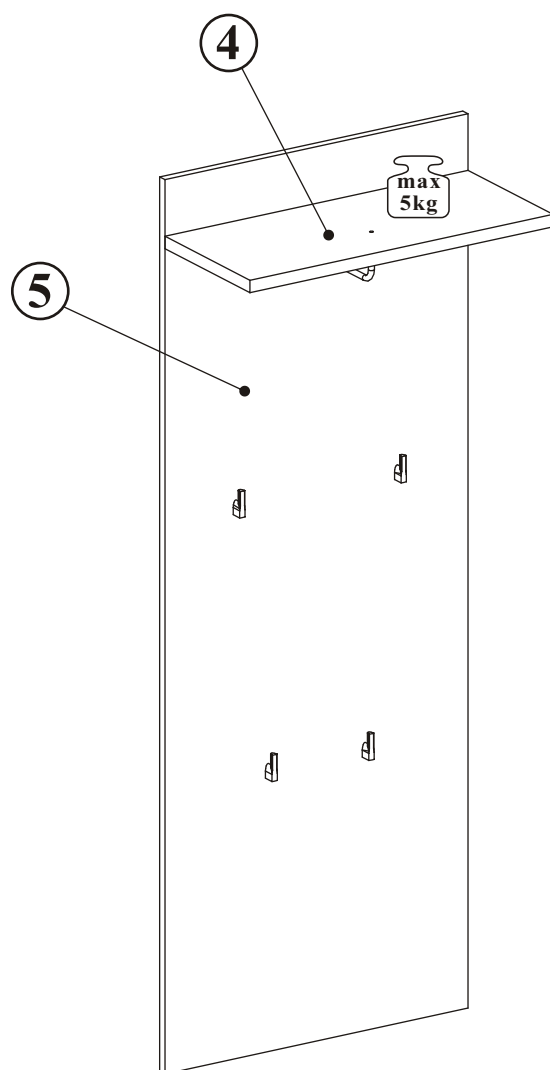


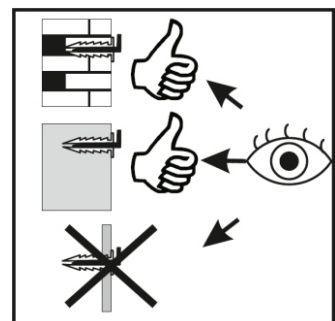
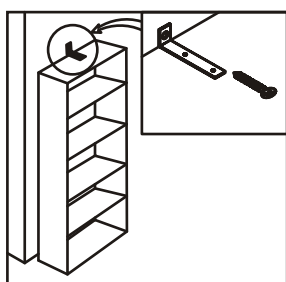
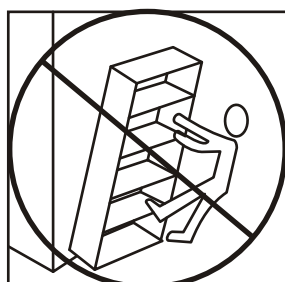
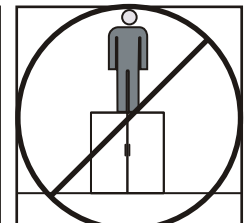
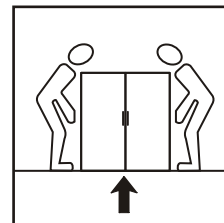
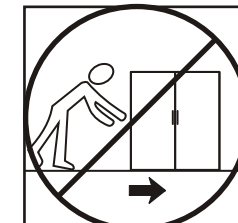
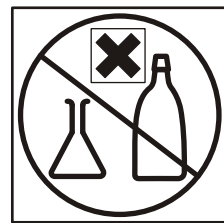
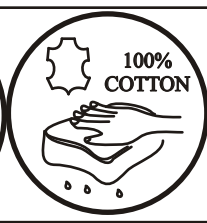
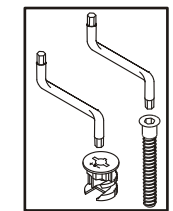
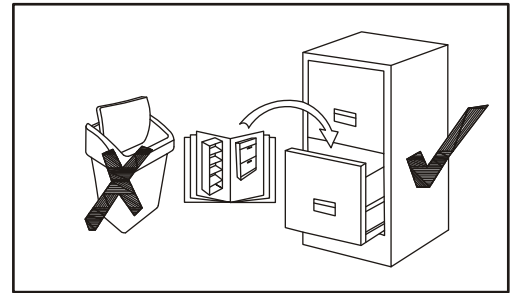
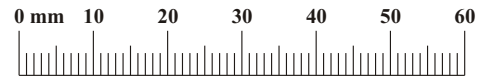
GUSTAVO TYP-D



NO	Dim.			Col-No	Qty
4	601	260	22	1	1
5	1580	601	16	1	1

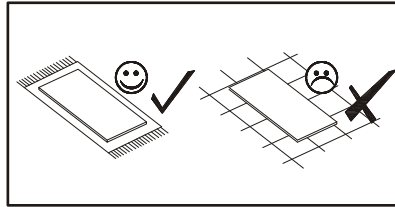
GUSTAVO TYP-D

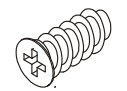
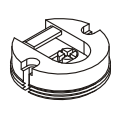
A1 x4 ø8x36	B11 x3 Ø7x50	G4 x3	D28 x6 ESØ6x9,5	ZM1 x3	G2 x1
KR3 x3 ø10	WL x1 L-220mm.	UP6 x8 UPØ4x30	WS3 x2 WS4x30	WS1 x4	

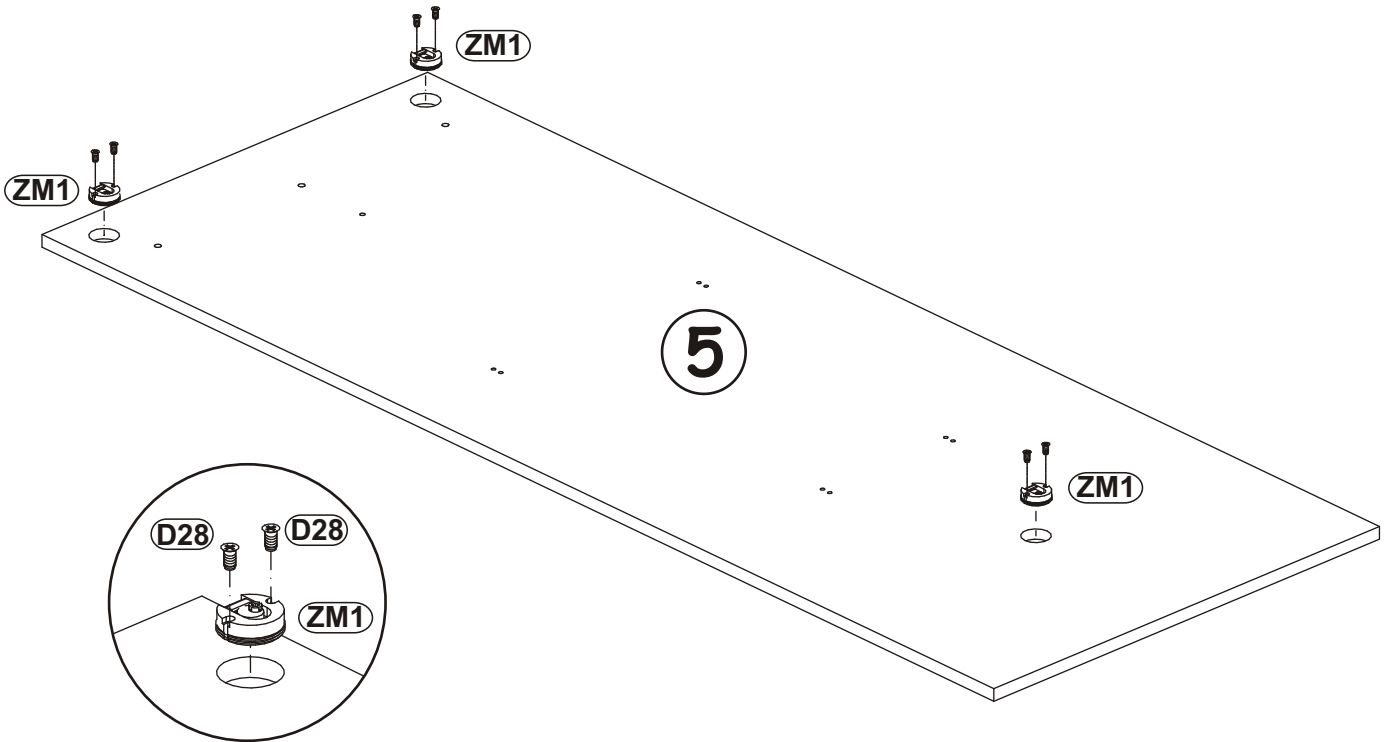
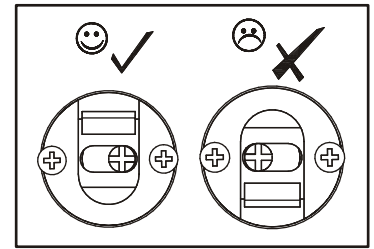


GUSTAVO TYP-D

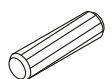
1

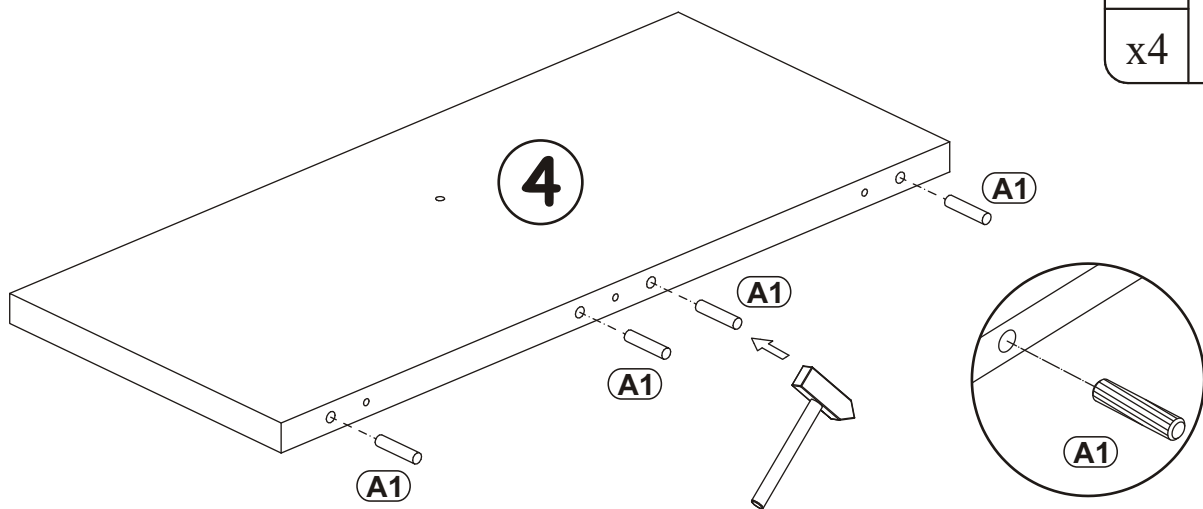


D28		ZM1	
x6	ESØ6x9,5	x3	



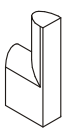
2


A1	
x4	ø8x36





GUSTAVO TYP-D

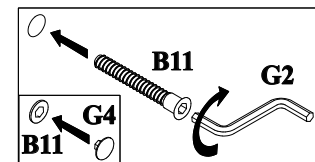
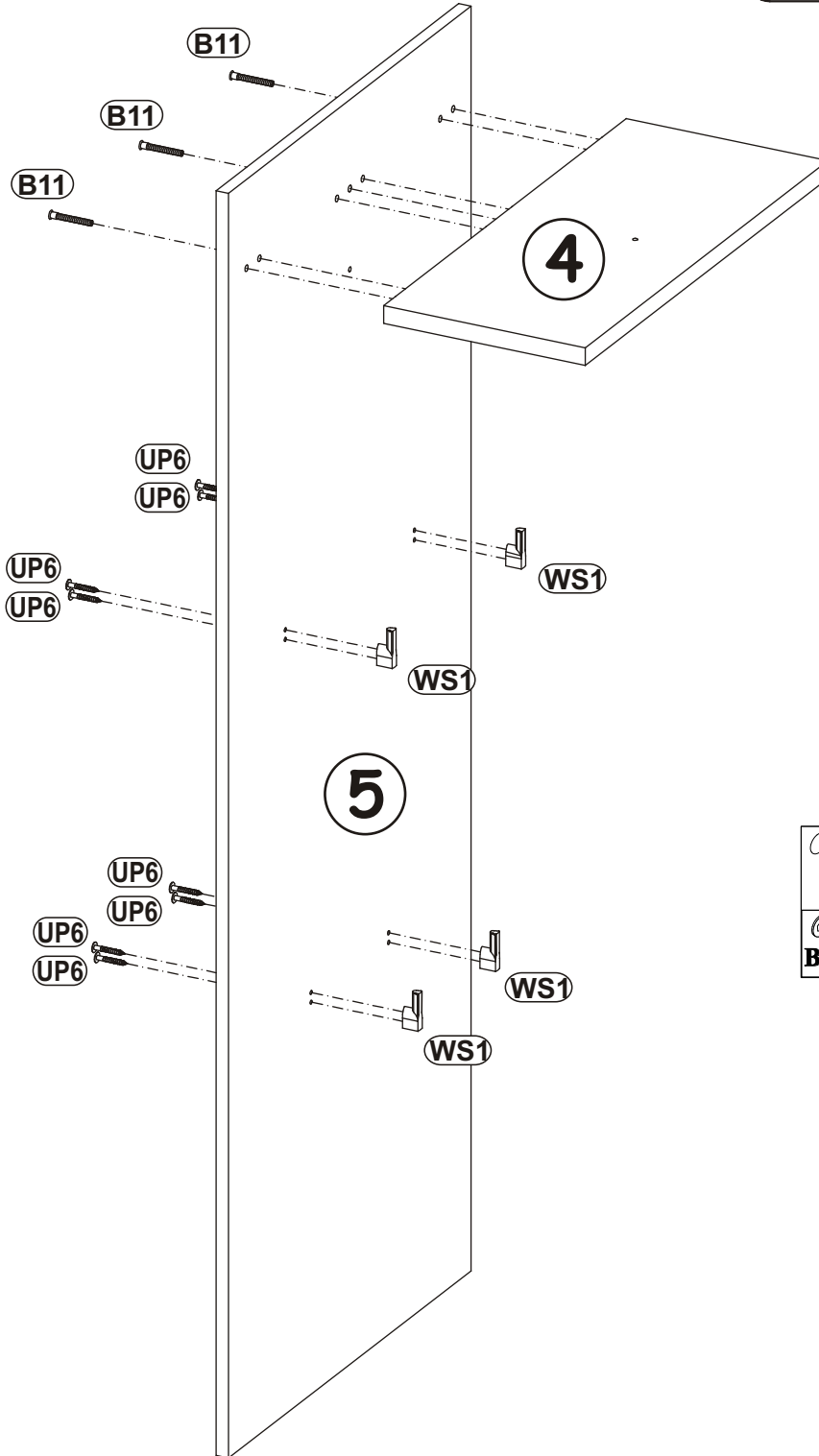
3

WS1	
x4	

B11	
x3	Ø7x50

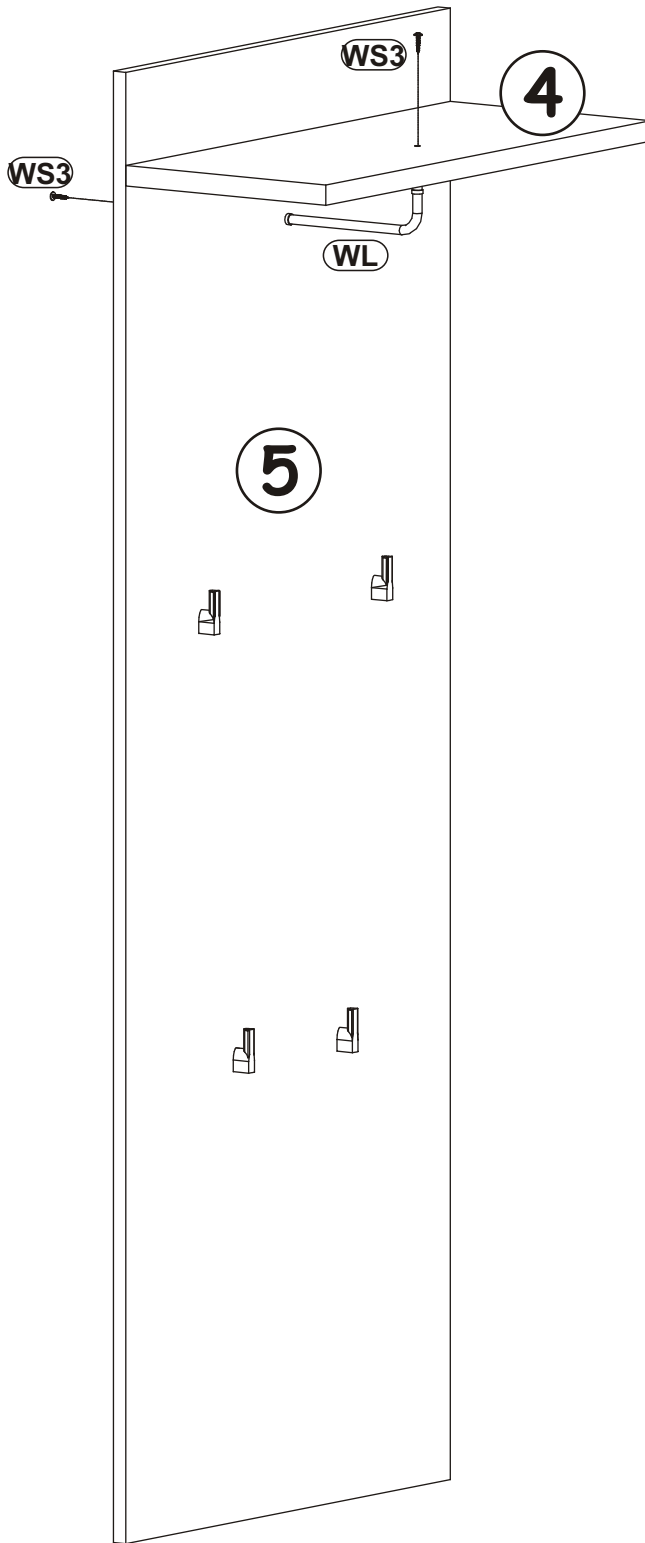
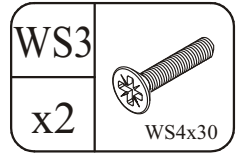
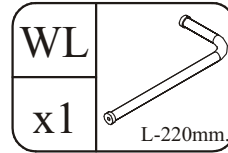
UP6	
x8	UPØ4x30

G4	
x3	



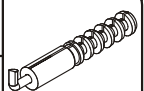
GUSTAVO TYP-D

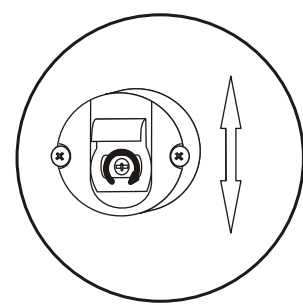
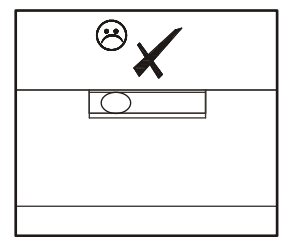
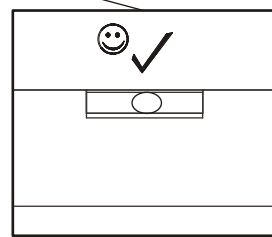
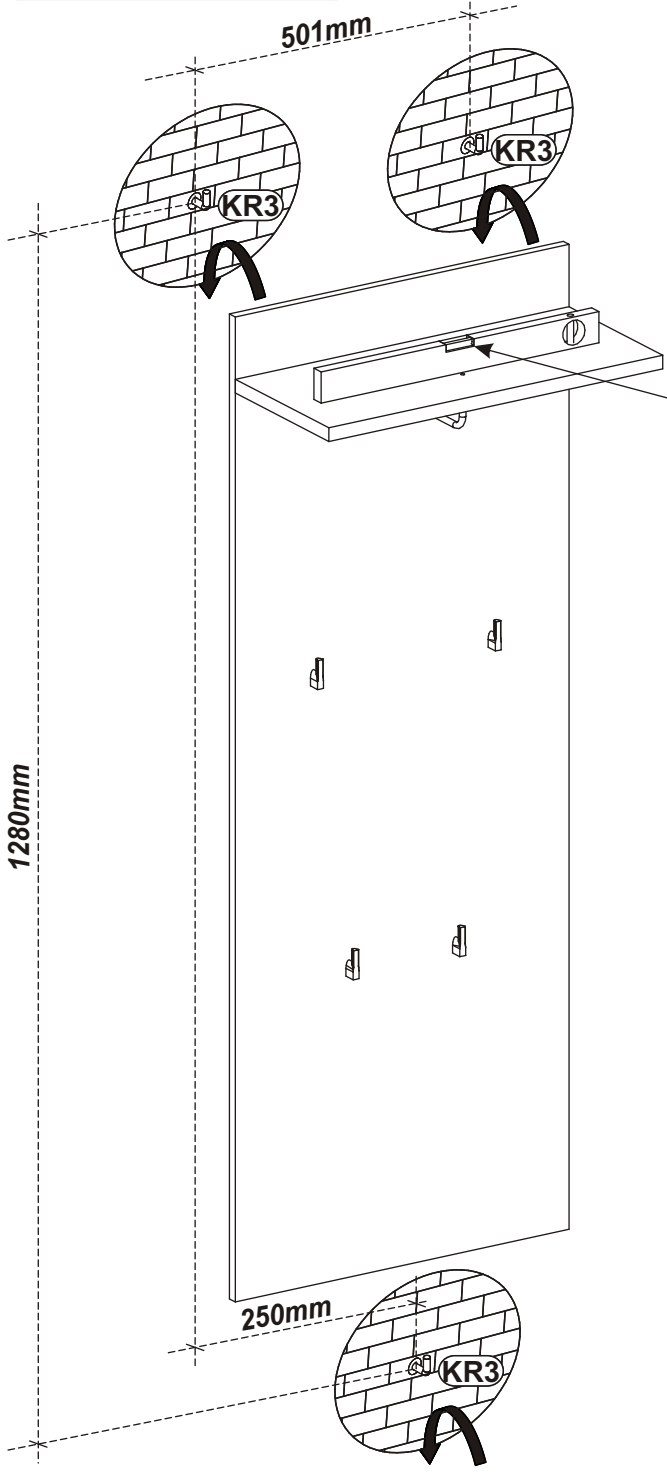
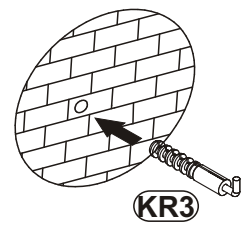
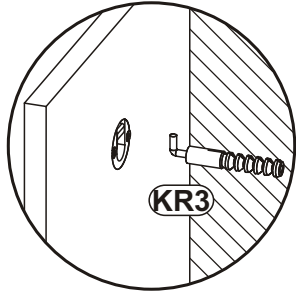
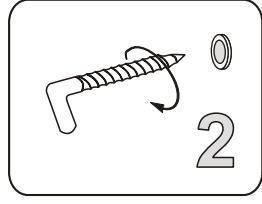
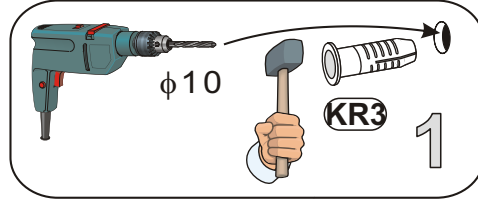
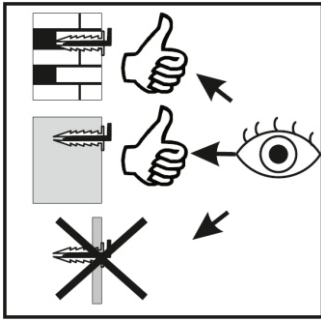
4



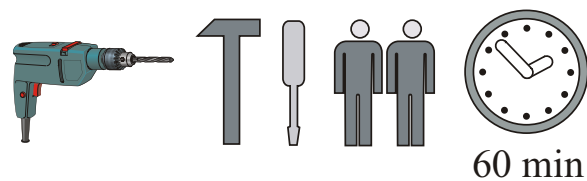
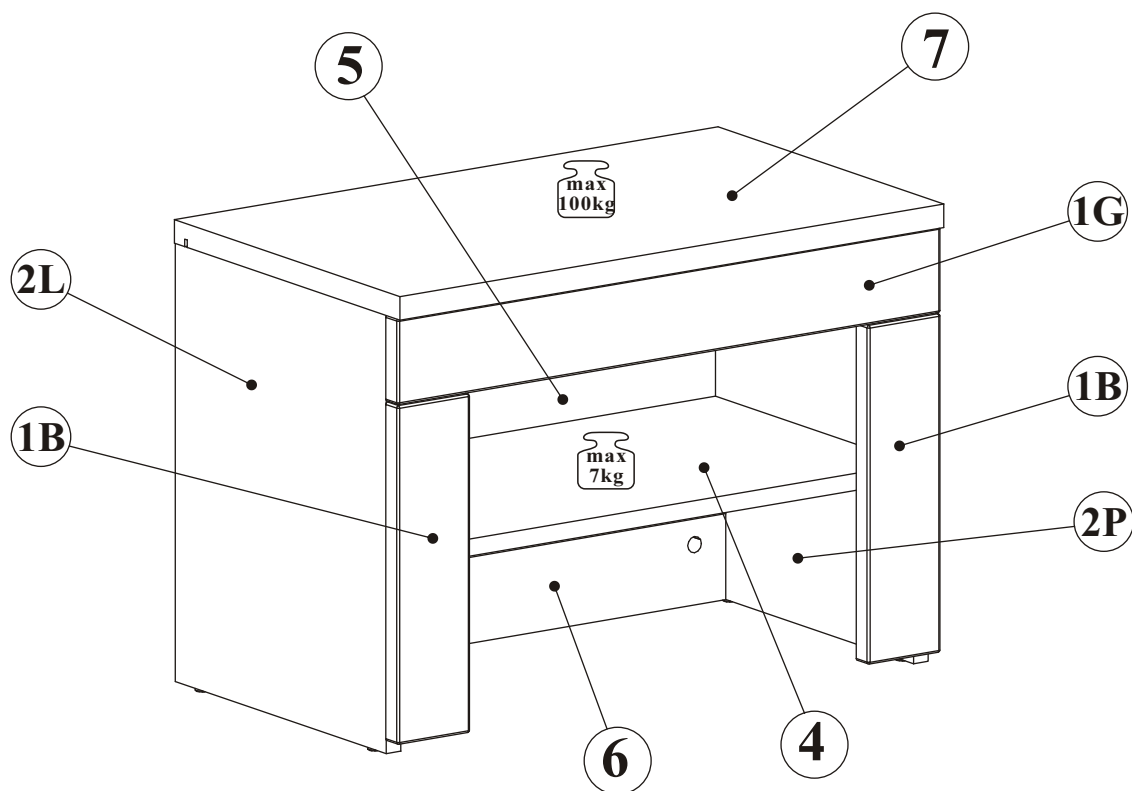
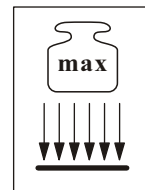
GUSTAVO TYP-D

5

KR3	
x3	Ø10



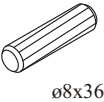
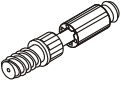





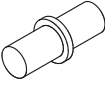
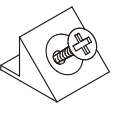
GUSTAVO TYP-F

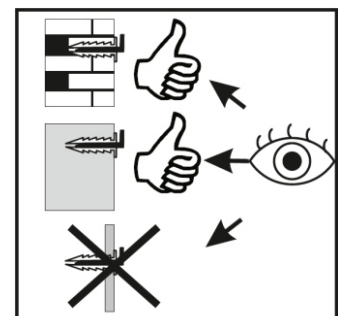
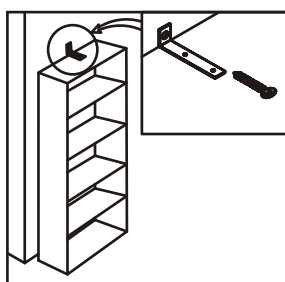
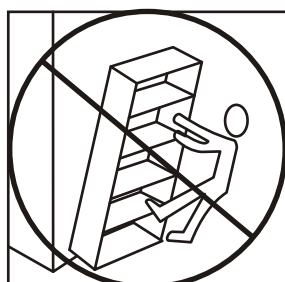
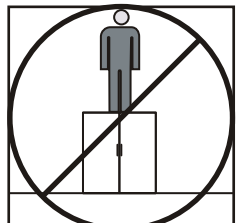
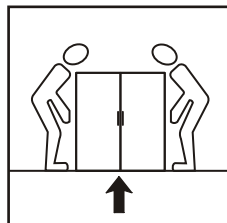
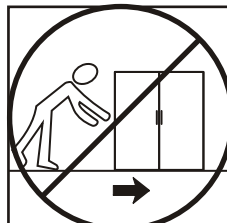
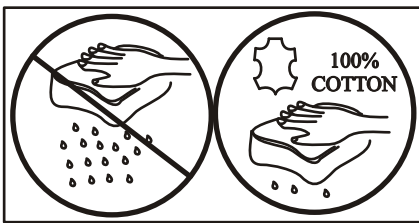
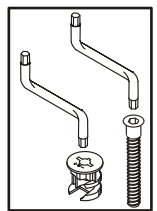
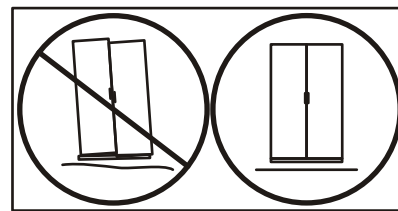
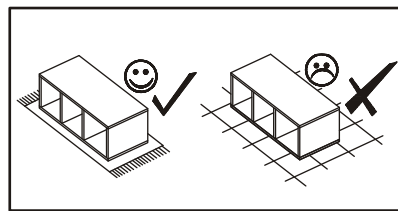
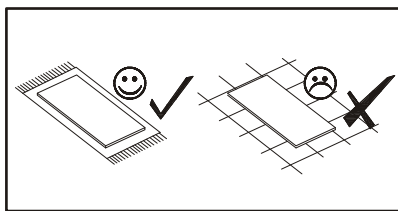
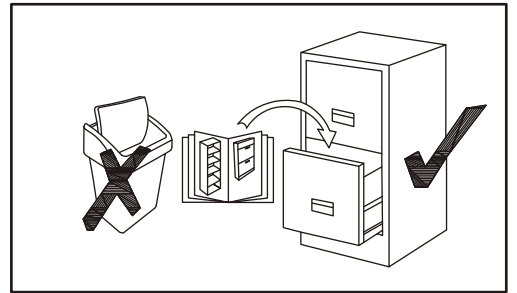
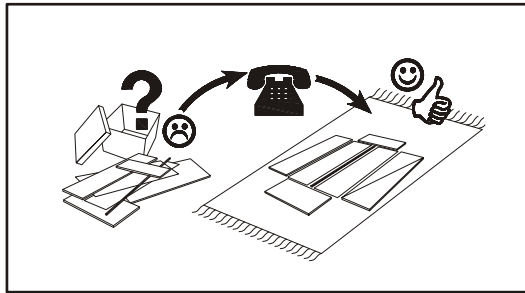
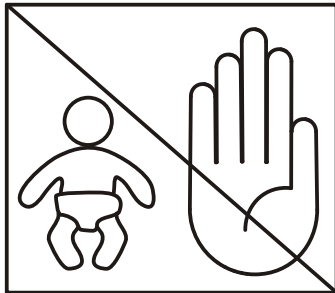
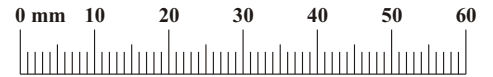


60 min

NO	Dim.			Col-No	Qty
1G	600	80	19	1	1
1B	315	80	19	1	2
2L	408	330	16	1	1
2P	408	330	16	1	1
4	567	308	16	1	1
5	408	579	3	1	1
6	567	80	16	1	1
7	601	353	22	1	1

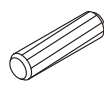
GUSTAVO TYP-F


A1 x14  ø8x36	B4 x13 	B5 x13  Ø15x12	G5 x13 	I2 x4 	G2 x1 
UP13 x5  UPØ3x16	G7 x4 	S1 x4 			

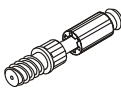


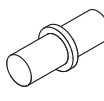
GUSTAVO TYP-F


1

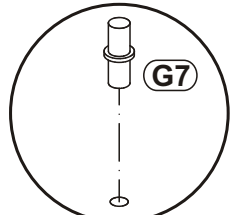
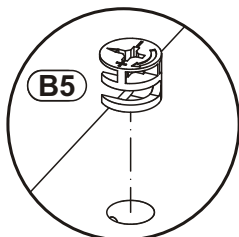
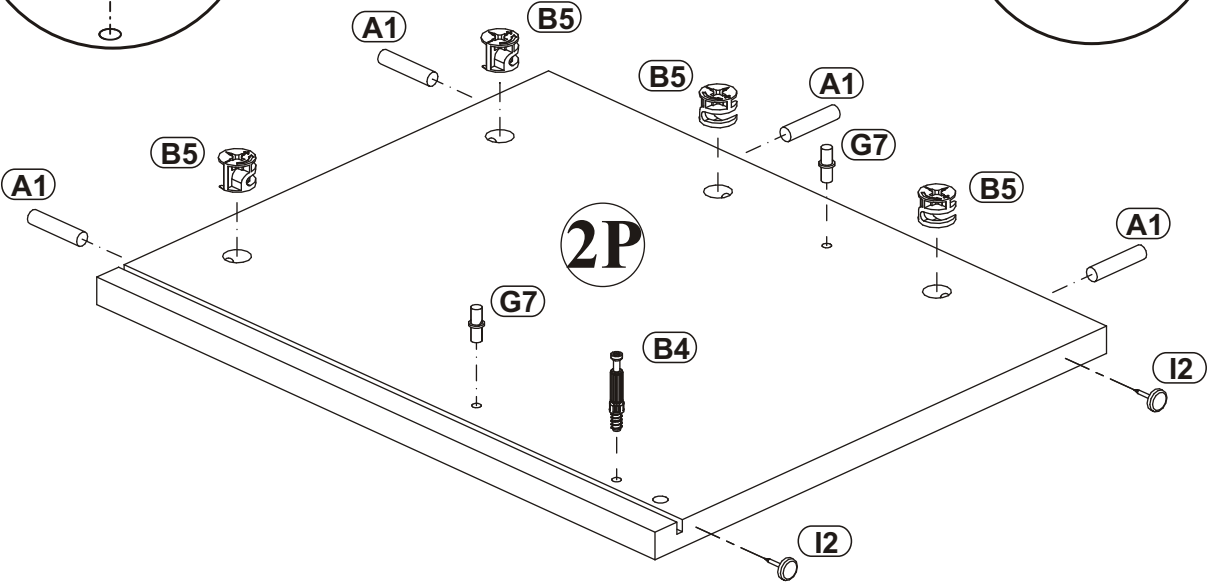
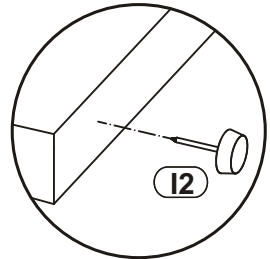
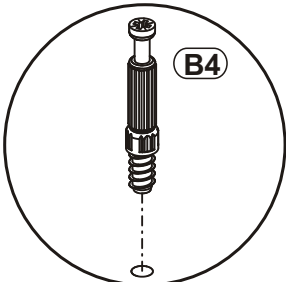
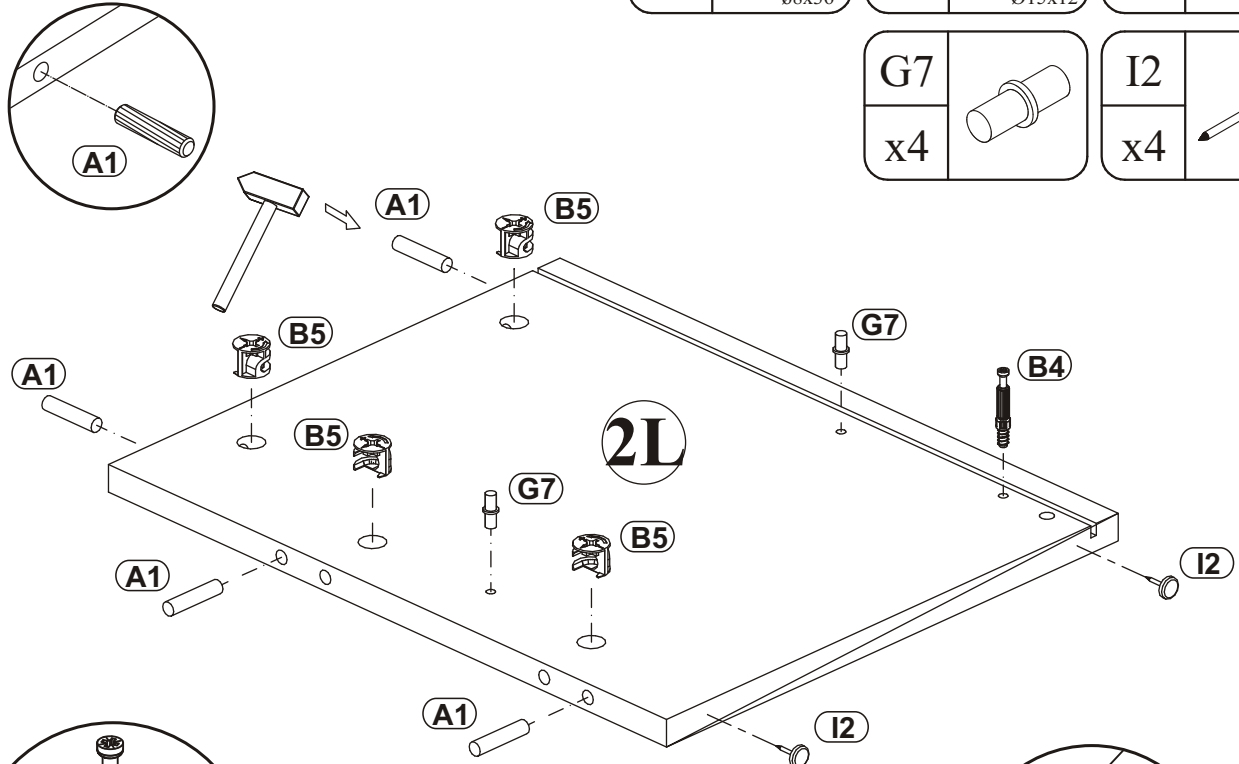
A1	
x8	ø8x36

B5	
x8	Ø15x12

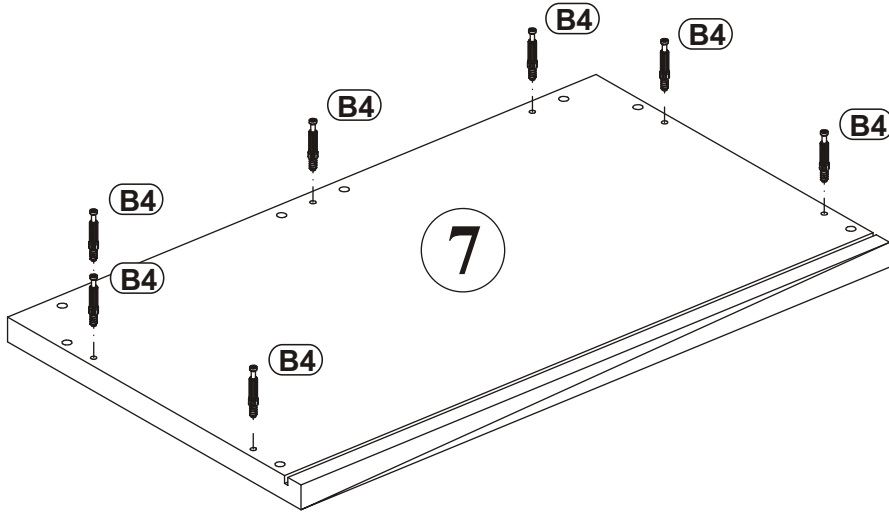
B4	
x2	

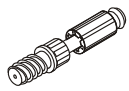
G7	
x4	

I2	
x4	

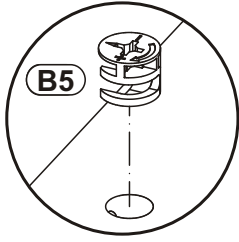
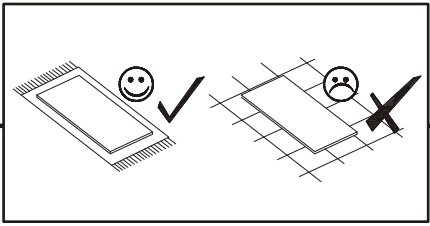
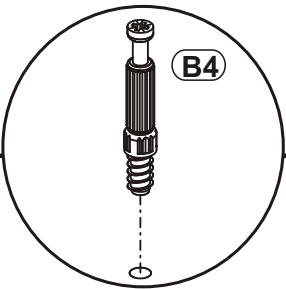



2

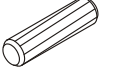


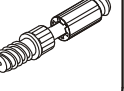
B4	
x7	

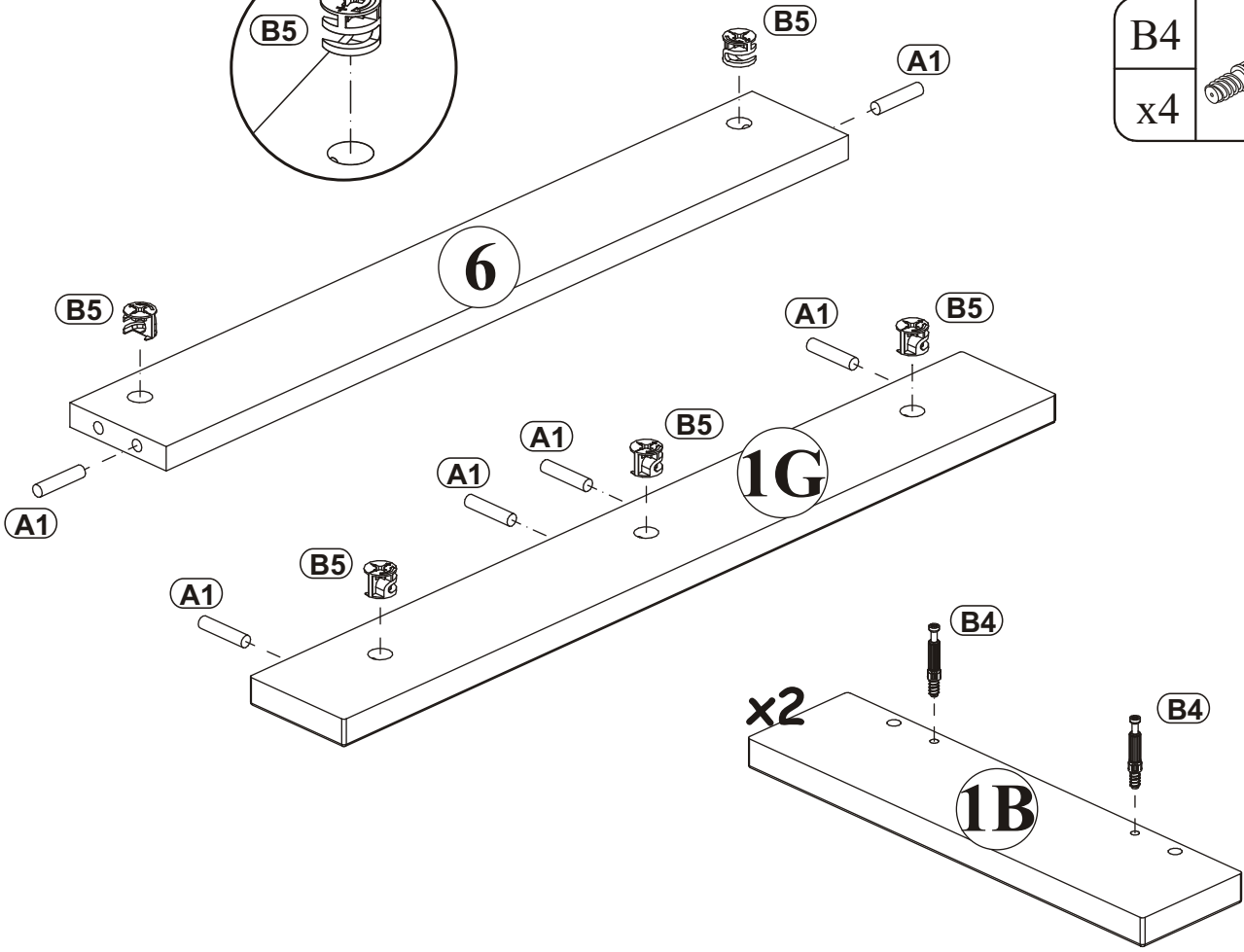
3

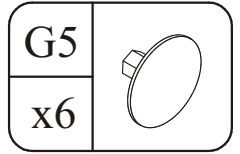


B5	
x5	Ø15x12

A1	
x6	ø8x36

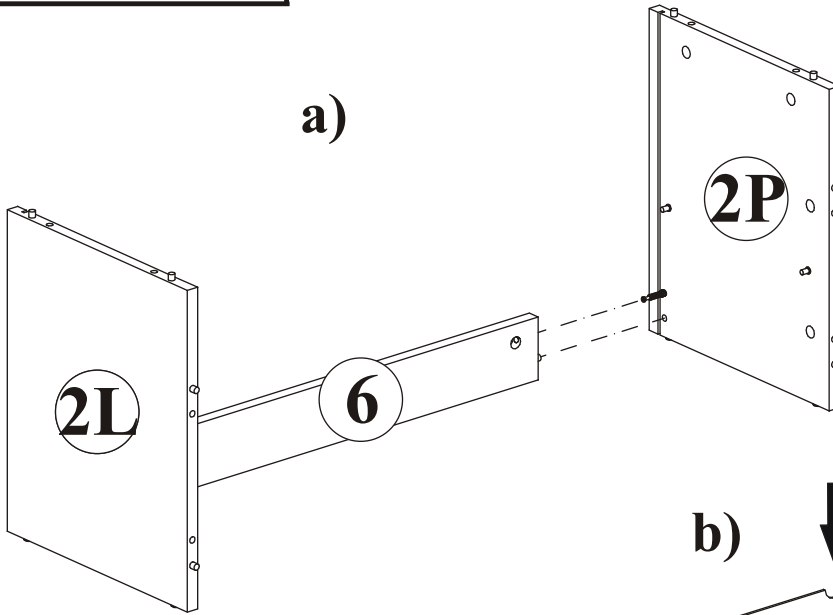
B4	
x4	



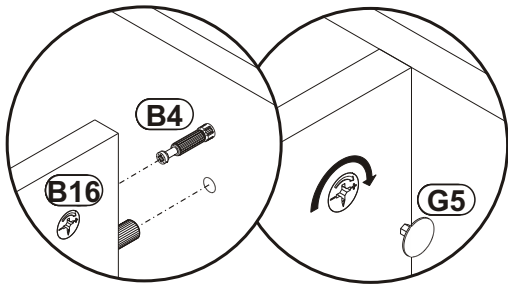
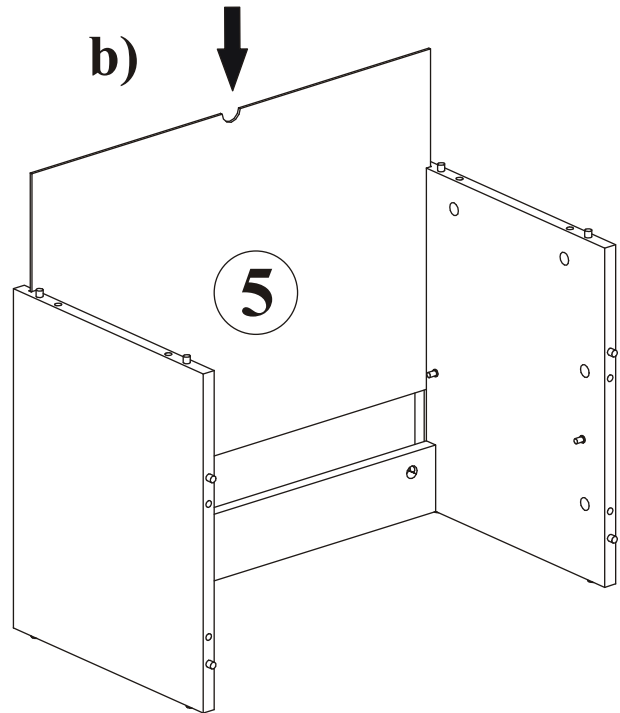


4

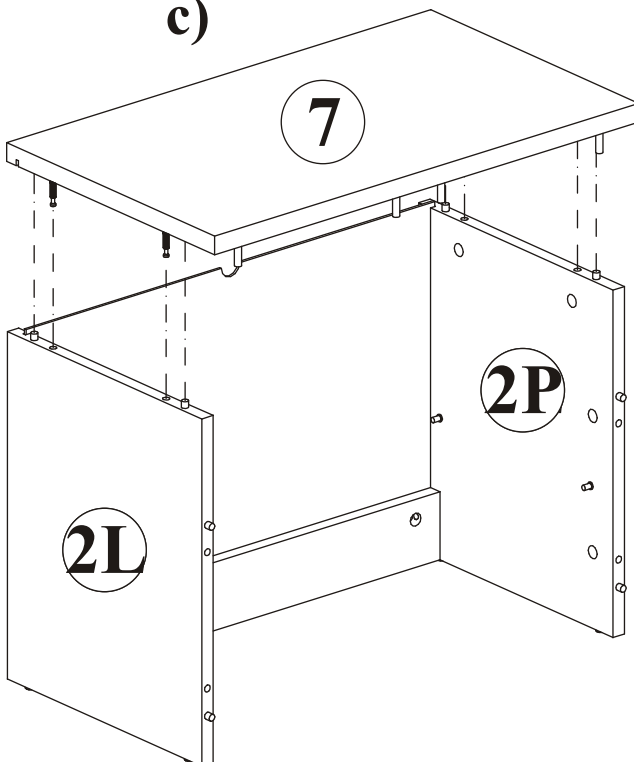
a)



b)

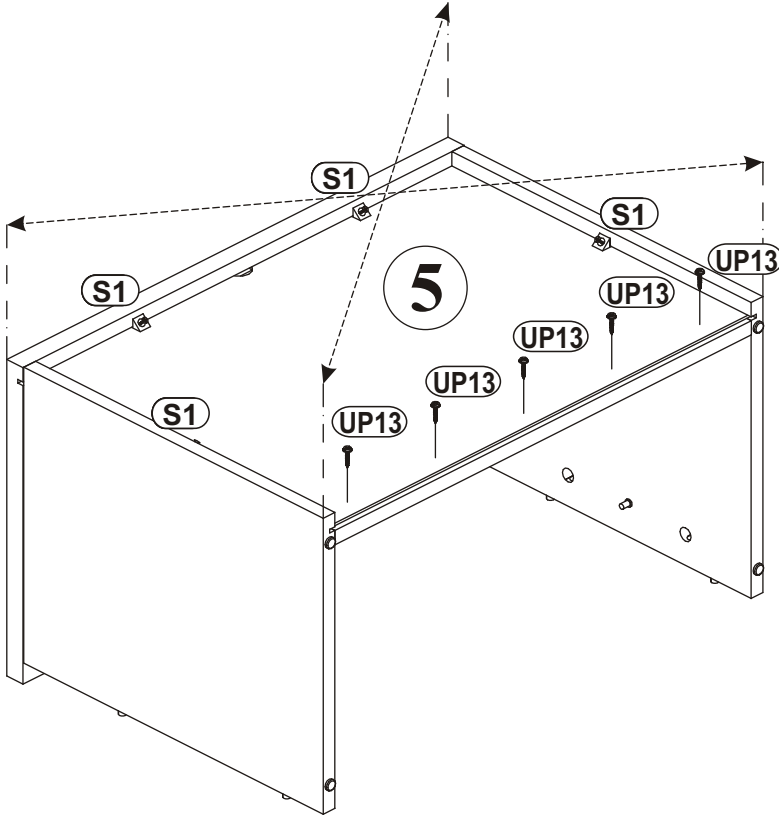


c)

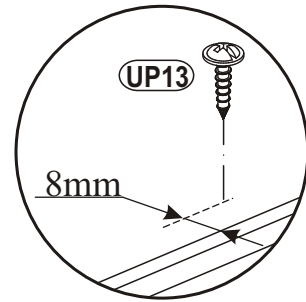
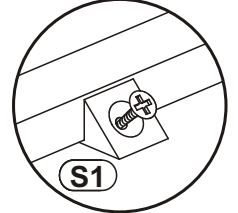
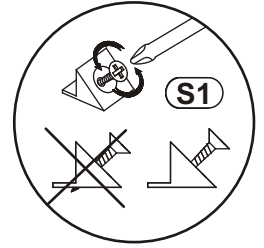


GUSTAVO TYP-F

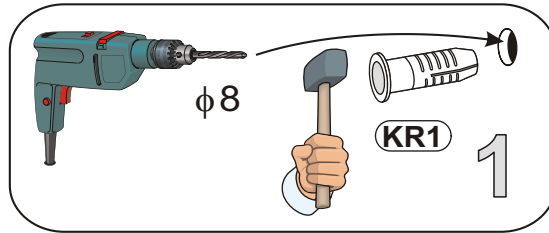
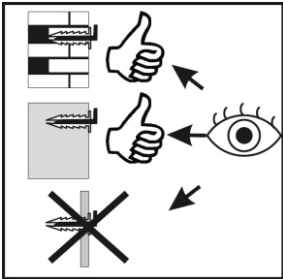
5



S1		UP13	
x4		x5	UPØ3x16

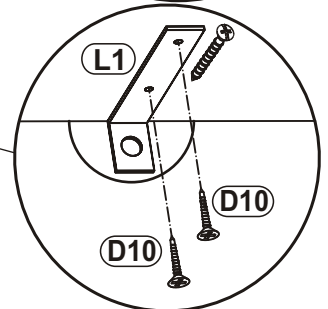
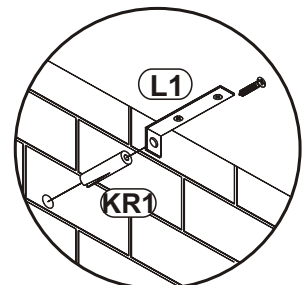
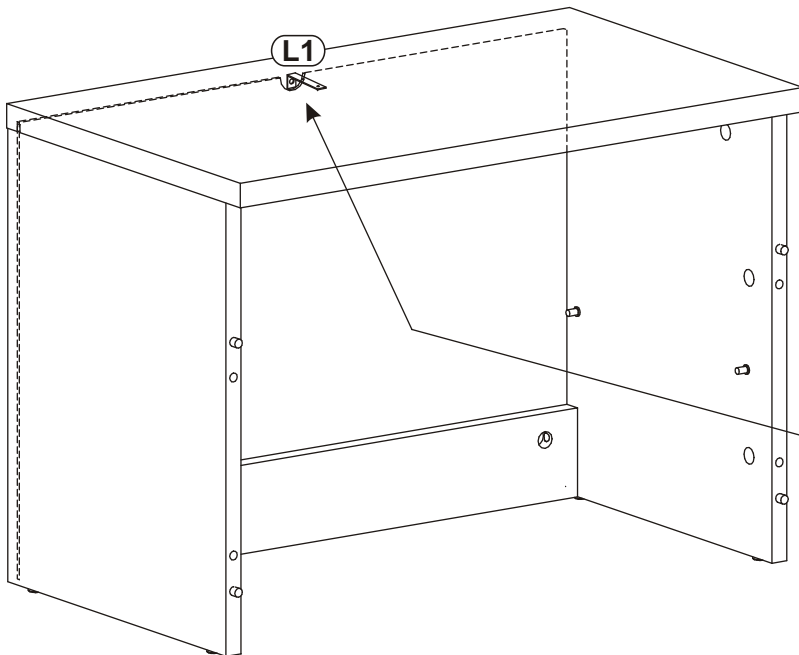


6

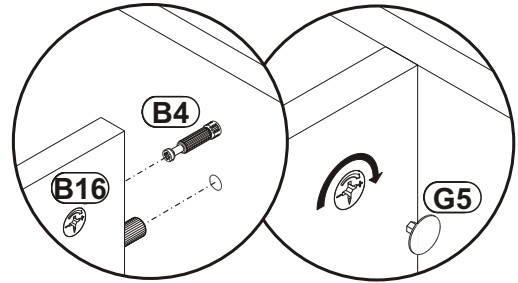
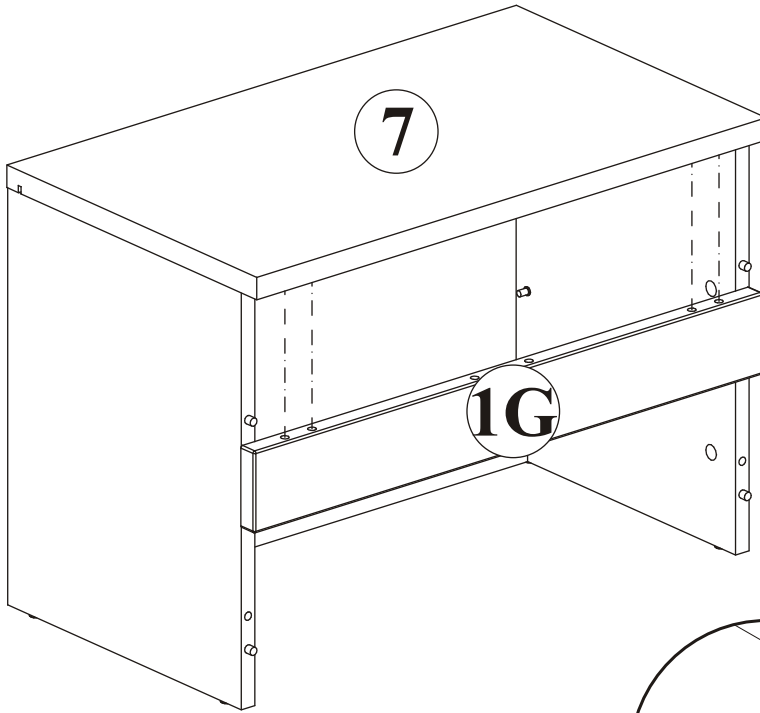
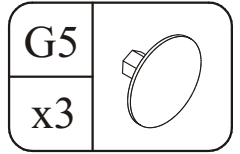


D10		KR1	
x2	USØ3,5x13	x1	

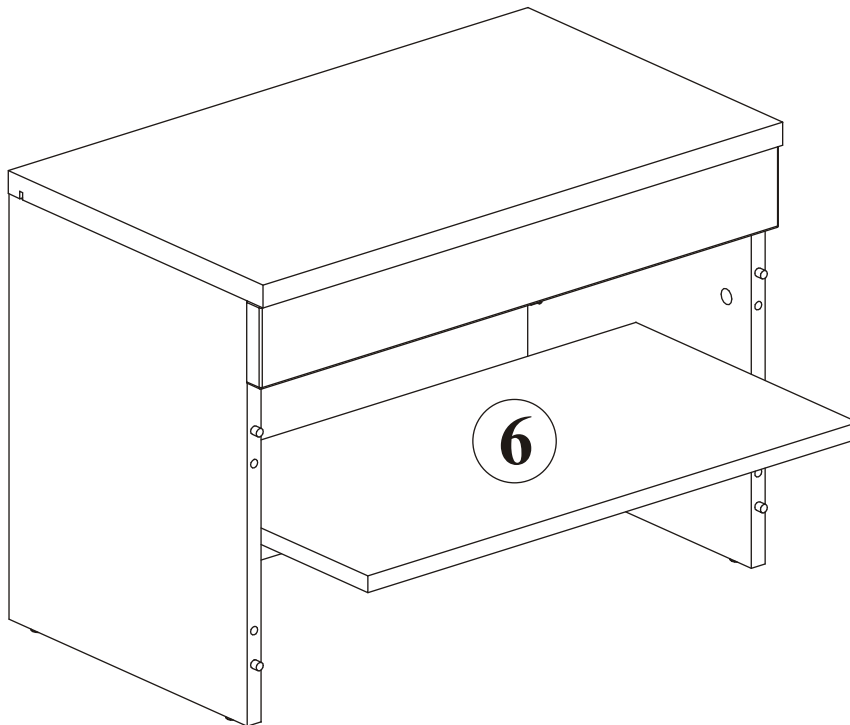
L1	
x1	

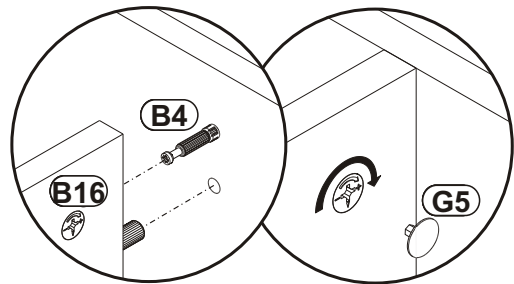
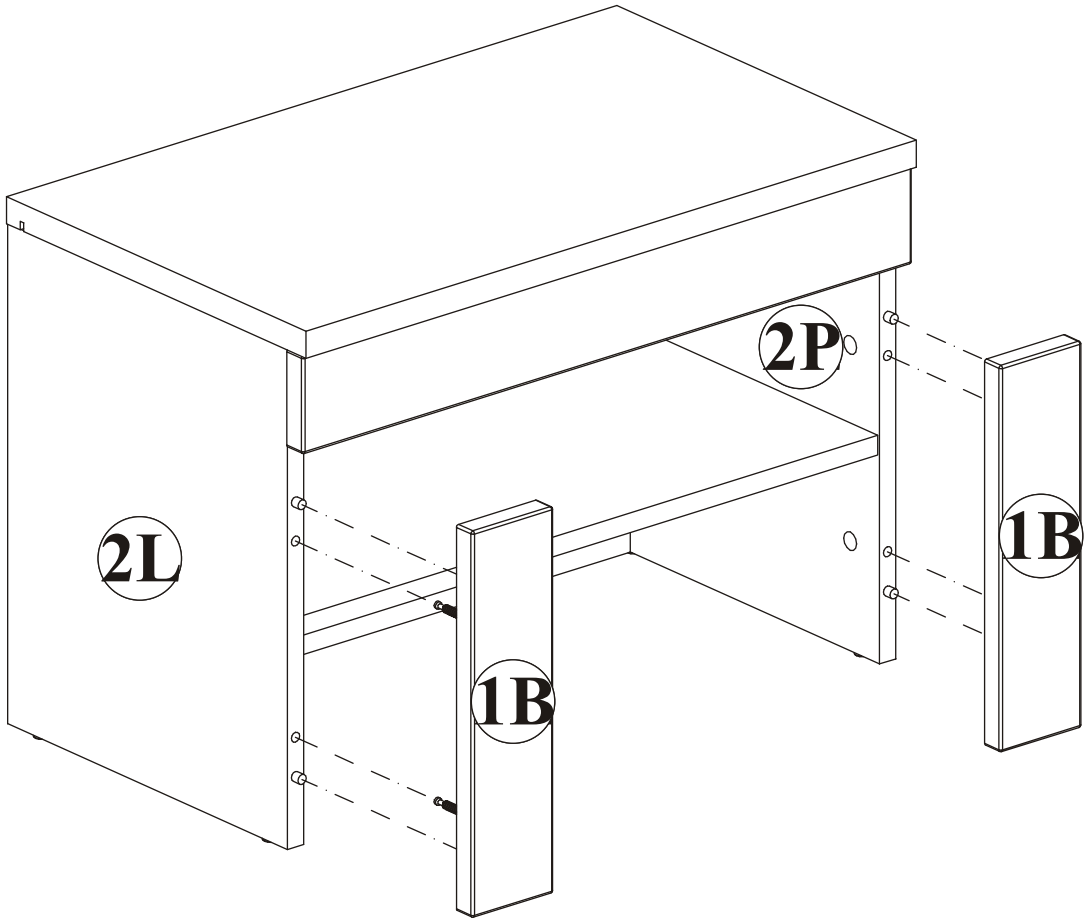
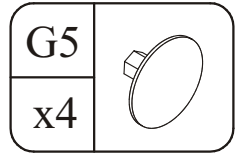


7

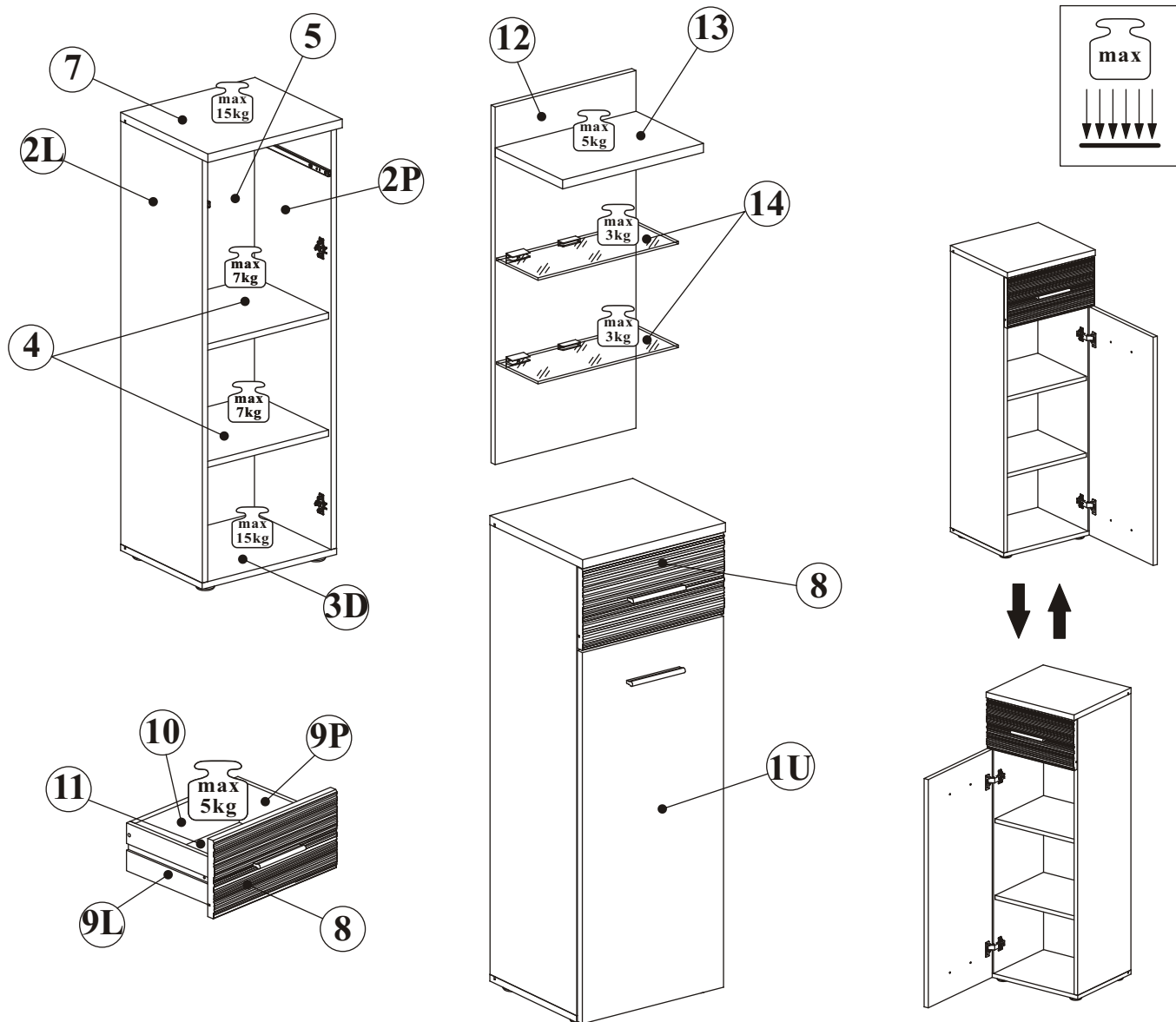


8

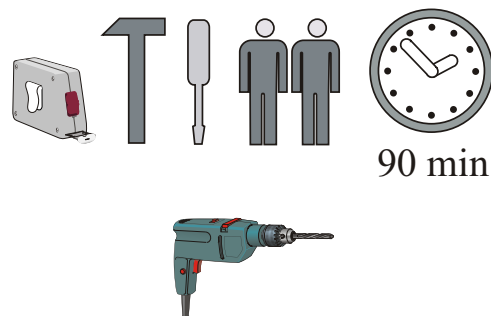




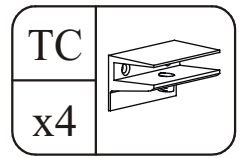
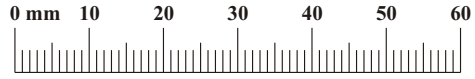
GUSTAVO TYP-B + C



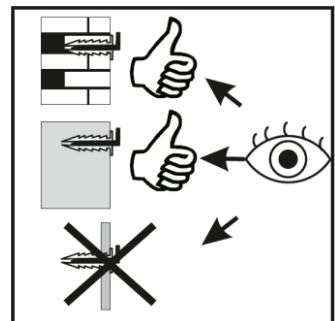
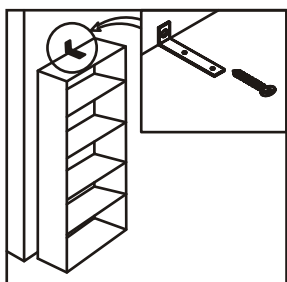
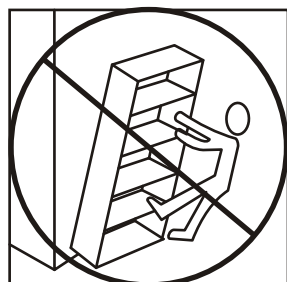
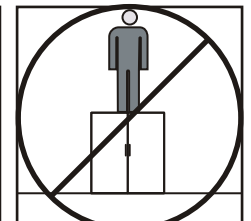
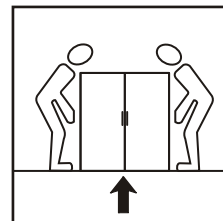
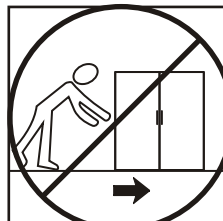
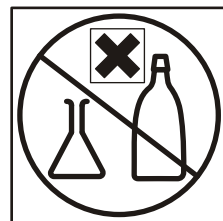
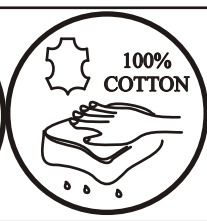
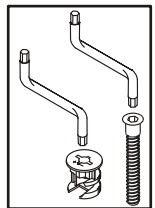
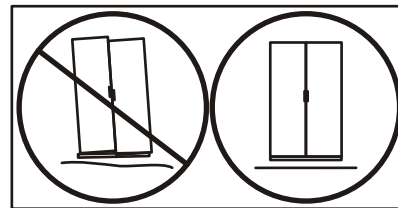
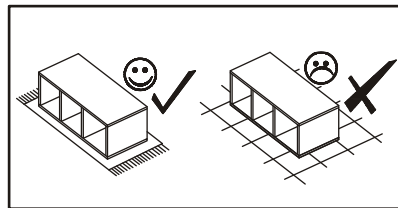
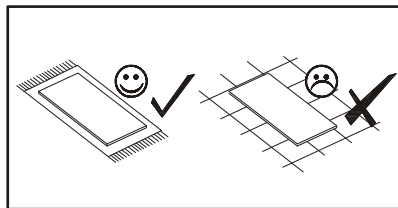
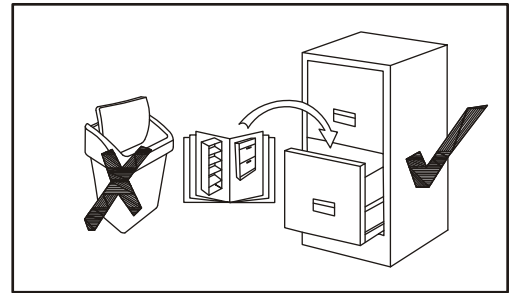
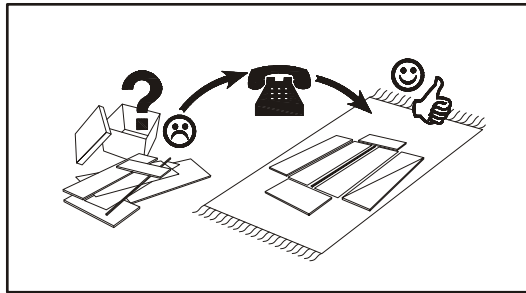
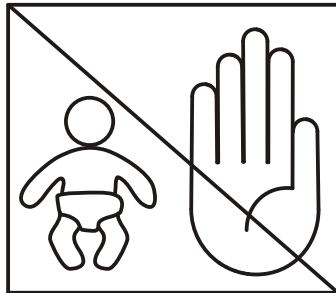
NO	Dim.			Col-No	Qty
1U	396	896	19	1	1
2L	1086	330	16	1	1
2P	1086	330	16	1	1
3D	401	330	16	1	1
4	367	300	16	1	2
5	1098	380	3	1	1
7	401	353	22	1	1
8	396	196	19	1	1
9L	280	120	12	1	1
9P	280	120	12	1	1
10	335	106	16	1	1
11	346	283	3	1	1
12	876	401	16	1	1
13	401	260	22	1	1
14	400	160	6	1	2



GUSTAVO TYP-B + C

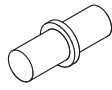


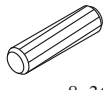
A1 x14 	B4 x6 	B5 x4 	G5 x4 	KR1 x1 	L1 x1
E21 x2 	E2 x2 	S1 x11 	UP16 x4 	KL x2 	G8 x2
UP13 x2 	I11 x4 	UP11 x4 	D10 x6 	G2 x1 	Z2 x6
B11 x9 	G4 x9 	G7 x8 	H6 x1 	D20 x4 	D18 x2
B7 x2 	KR3 x3 	D28 x6 	ZM1 x3 	D30 x8 	LED x1

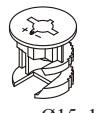



GUSTAVO TYP-B + C


1

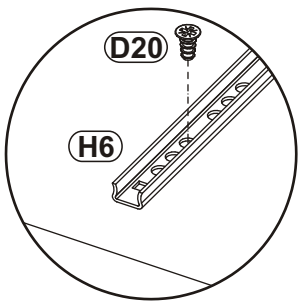
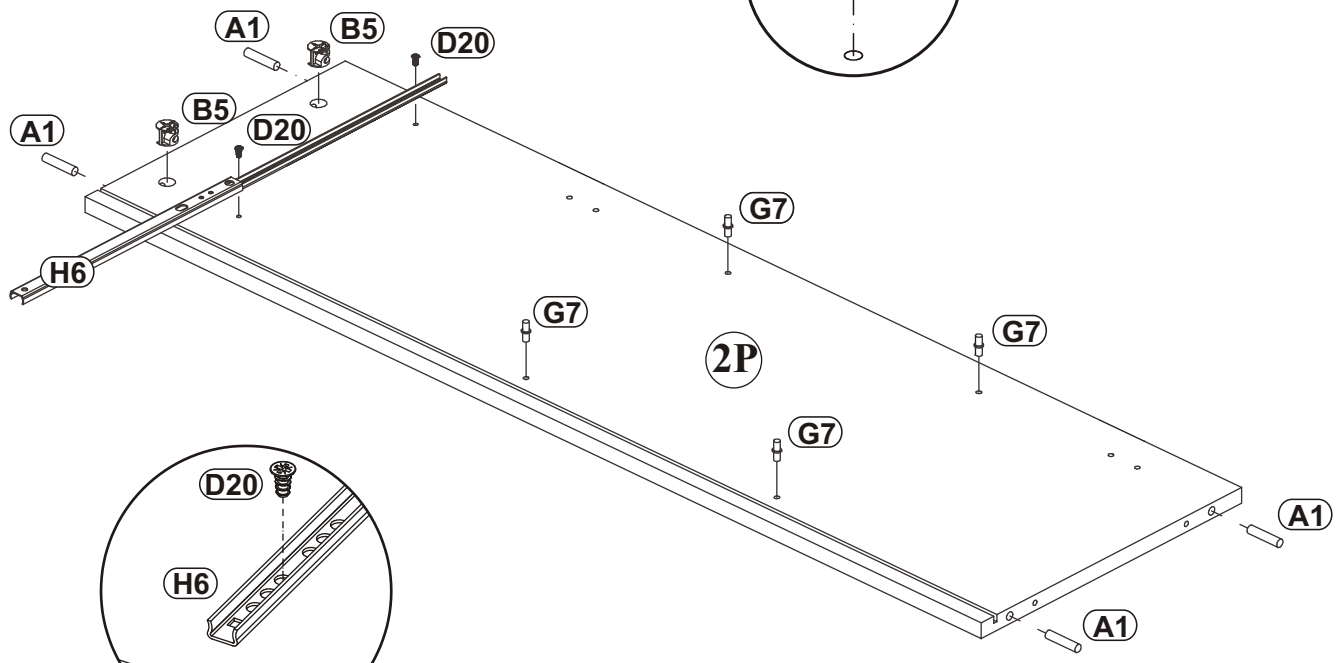
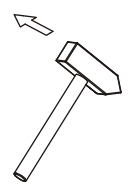
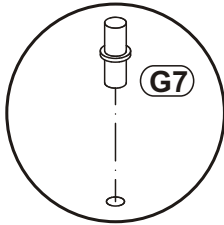
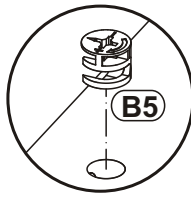
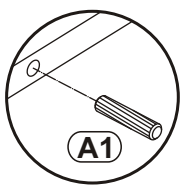
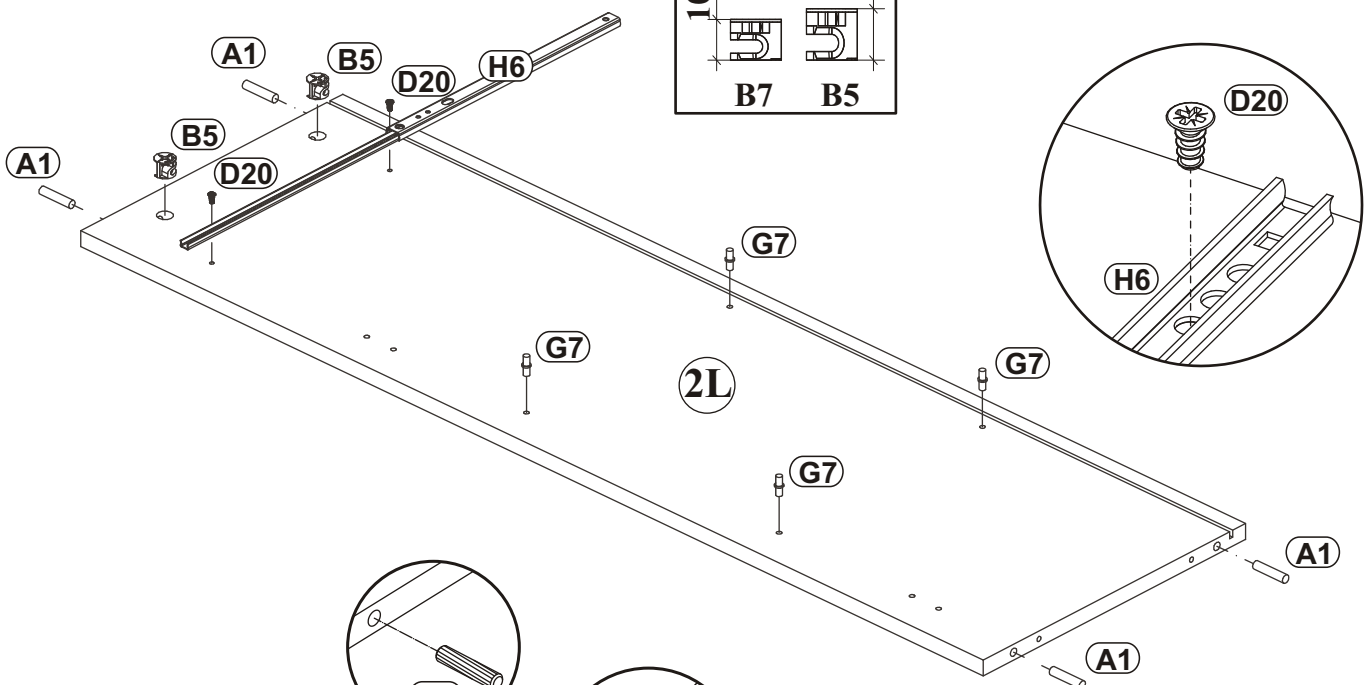
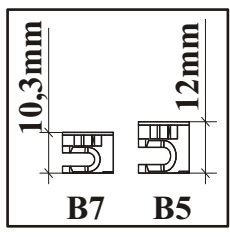
G7	
x8	

A1	
x8	ø8x36

B5	
x4	Ø15x12


H6	
x1	L-280mm.


D20	
x4	ESØ6,3x9,5

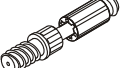


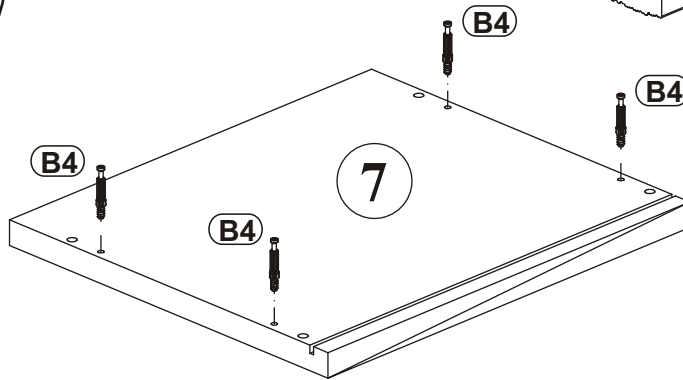
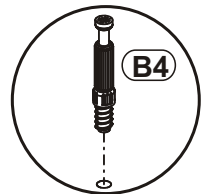
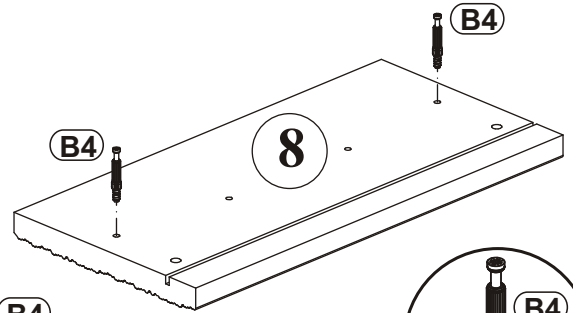
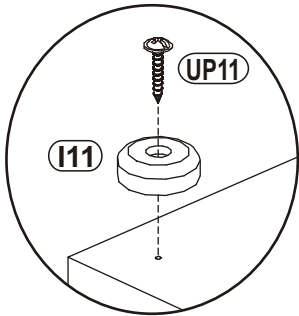
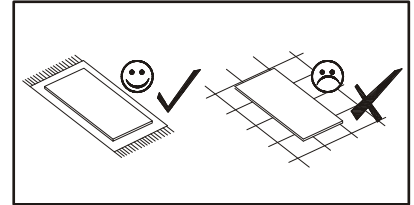
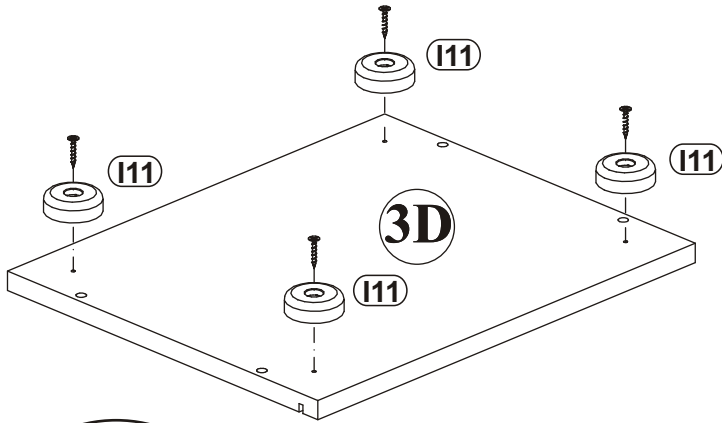
GUSTAVO TYP-B + C

2

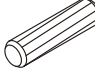
UP11	
x4	UPØ4x20

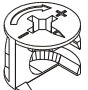
I11	
x4	Ø45, h=15

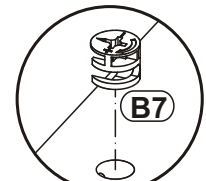
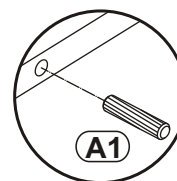
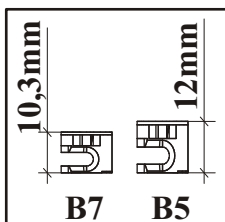
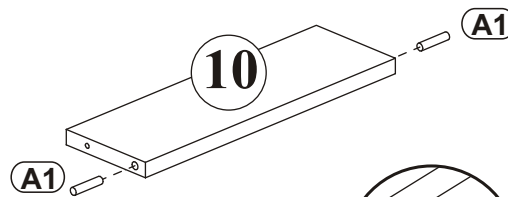
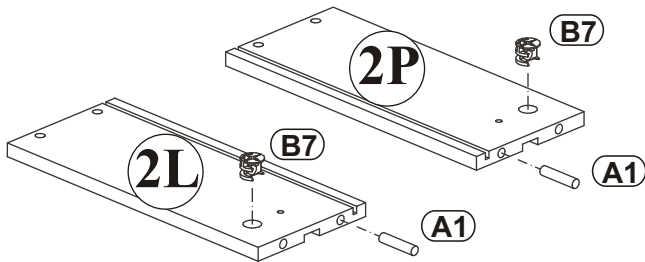
B4	
x6	



3

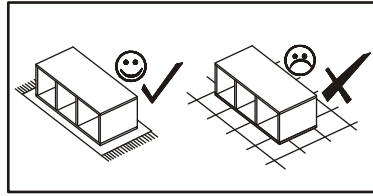
A1	
x4	ø8x36

B7	
x2	Ø15x10,3




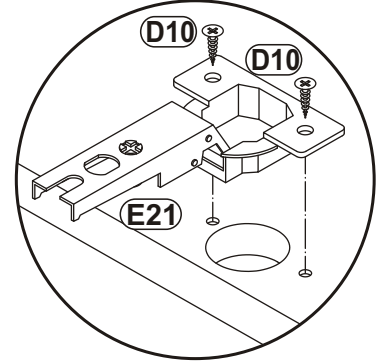
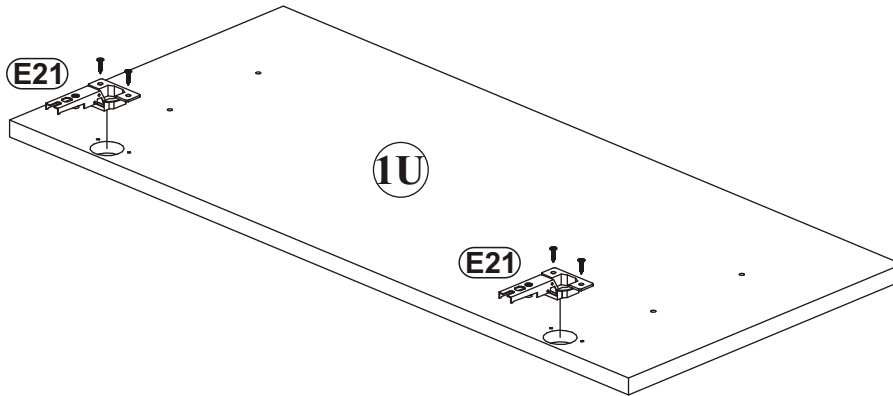
GUSTAVO TYP-B + C

4

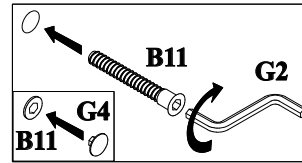



E21	Ø35
x2	H=0


D10	
x4	USØ3,5x13




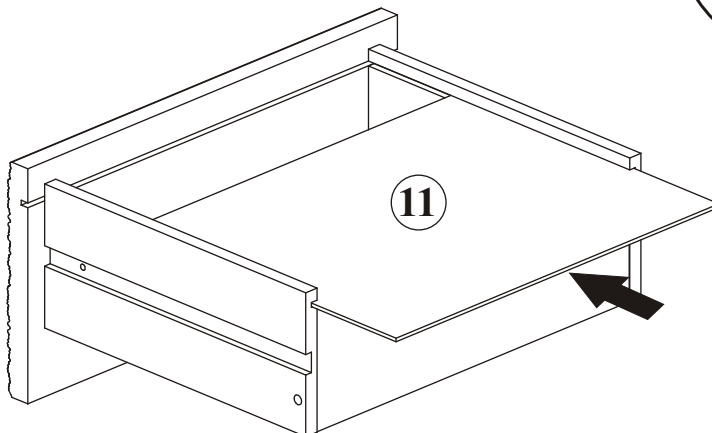
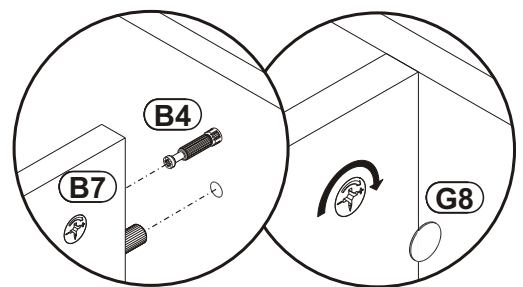
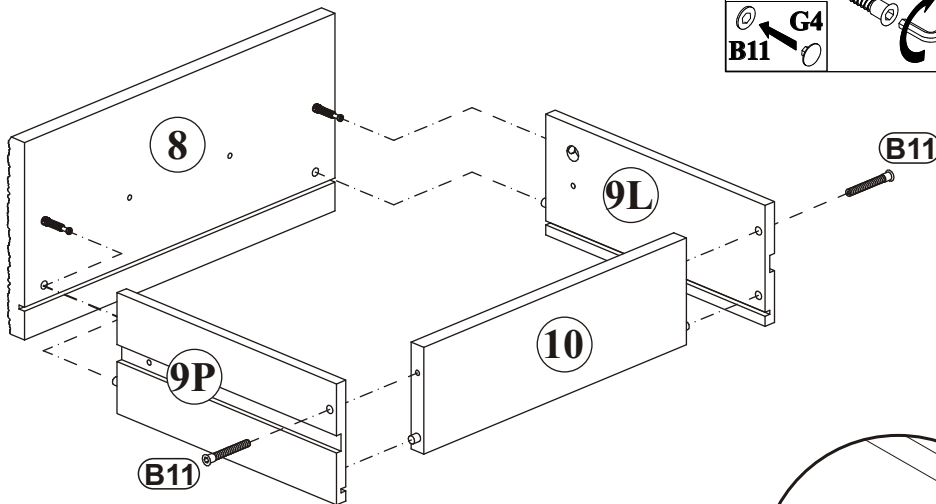
5



B11	
x2	Ø7x50

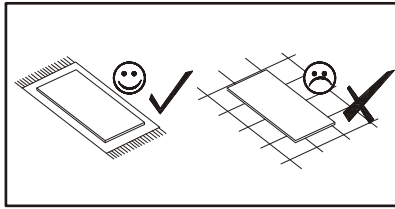
G4	
x2	

G8	
x2	Ø20



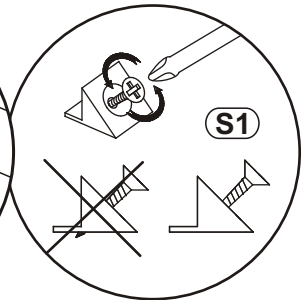
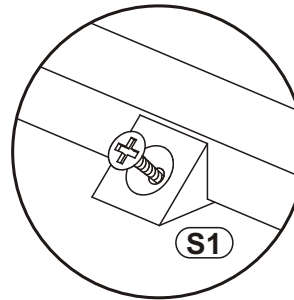
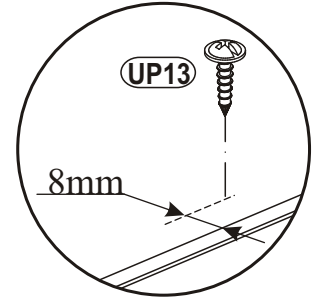
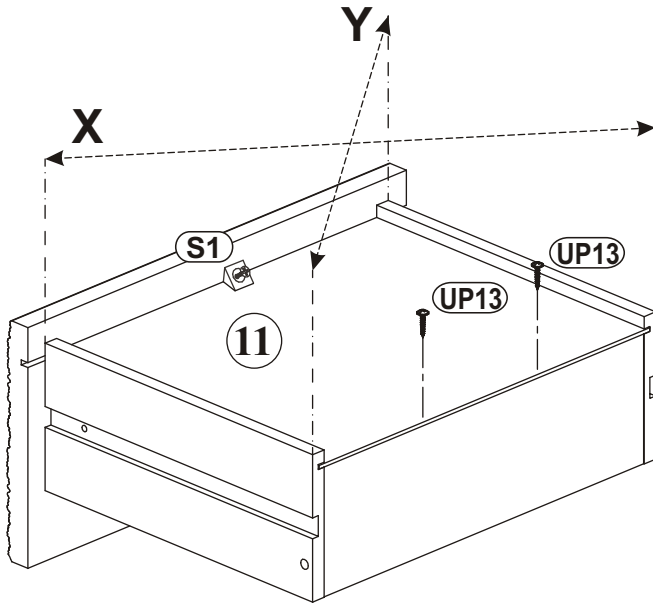
GUSTAVO TYP-B + C

6

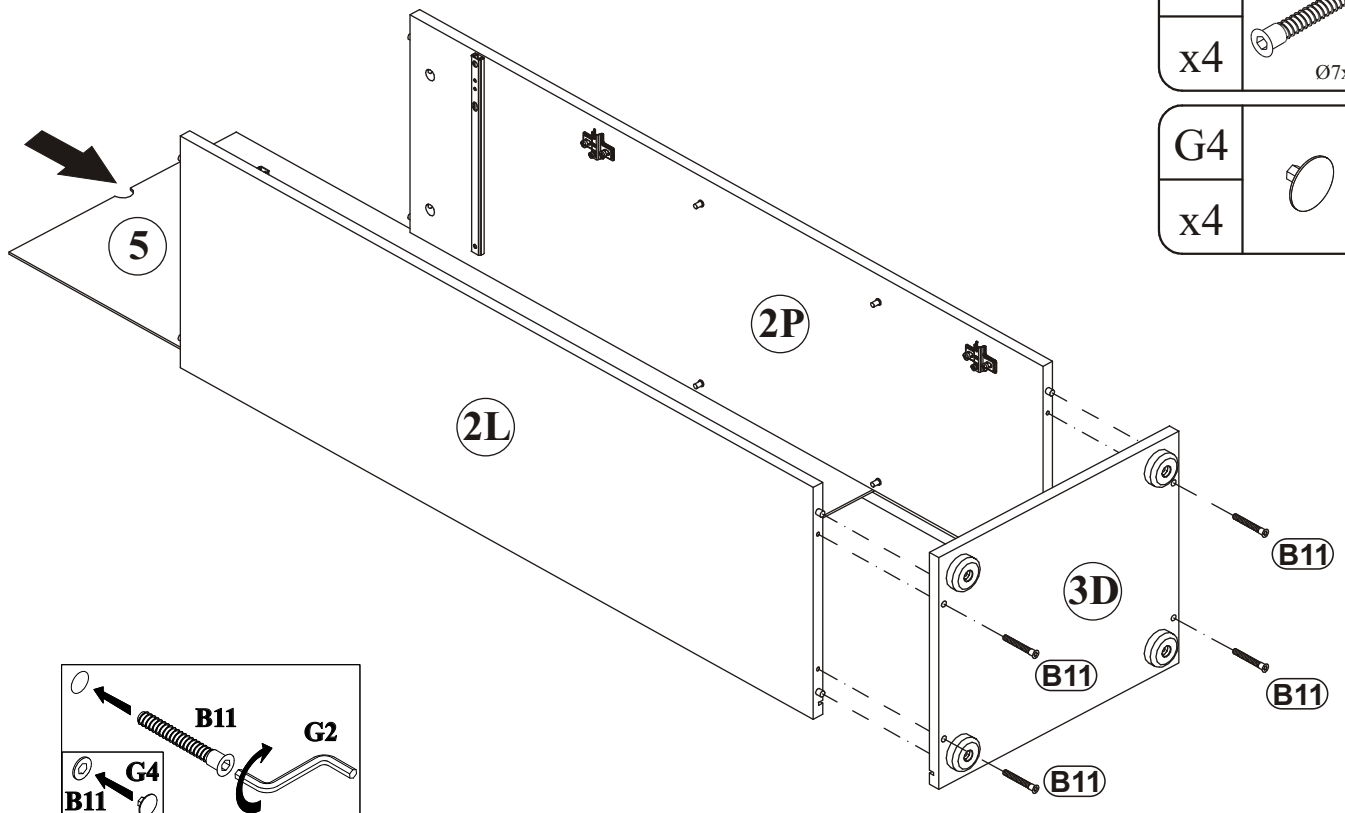


S1	
x1	

UP13	
x2	

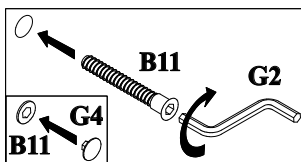


7




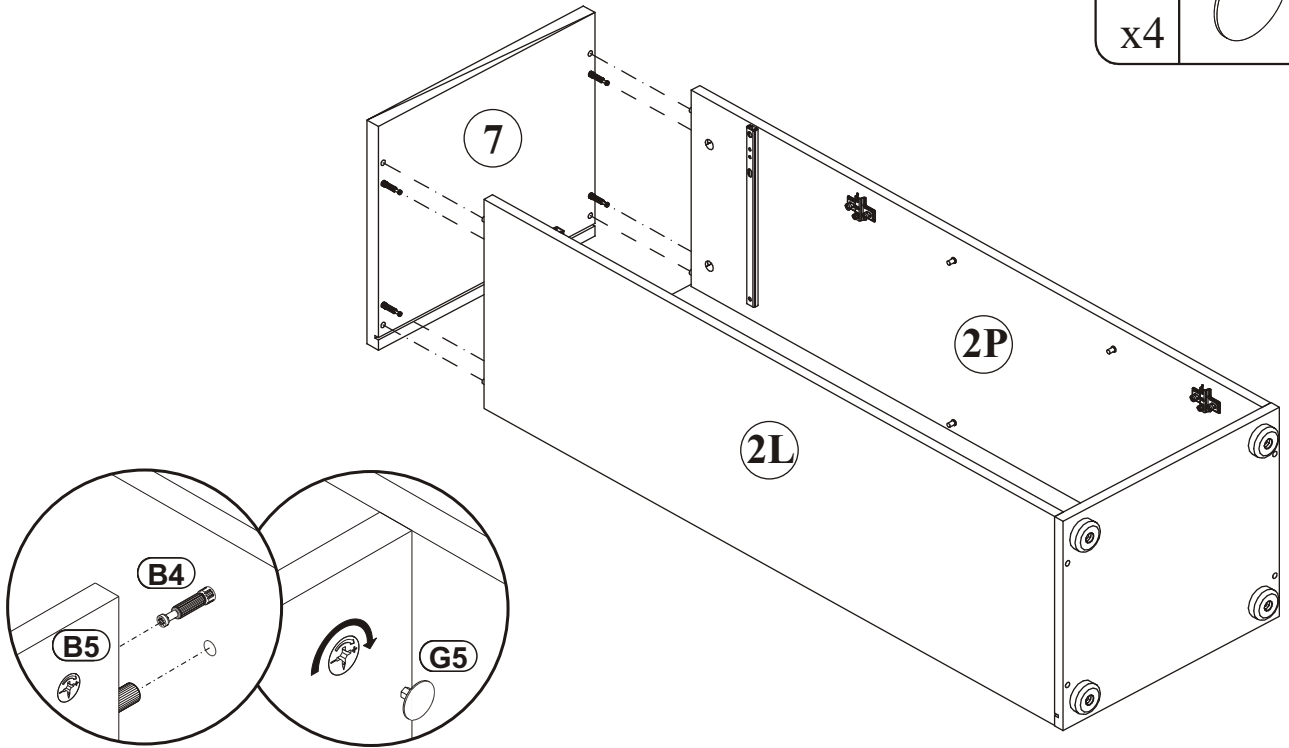
B11	
x4	$\varnothing 7 \times 50$

G4	
x4	

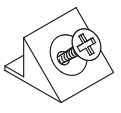


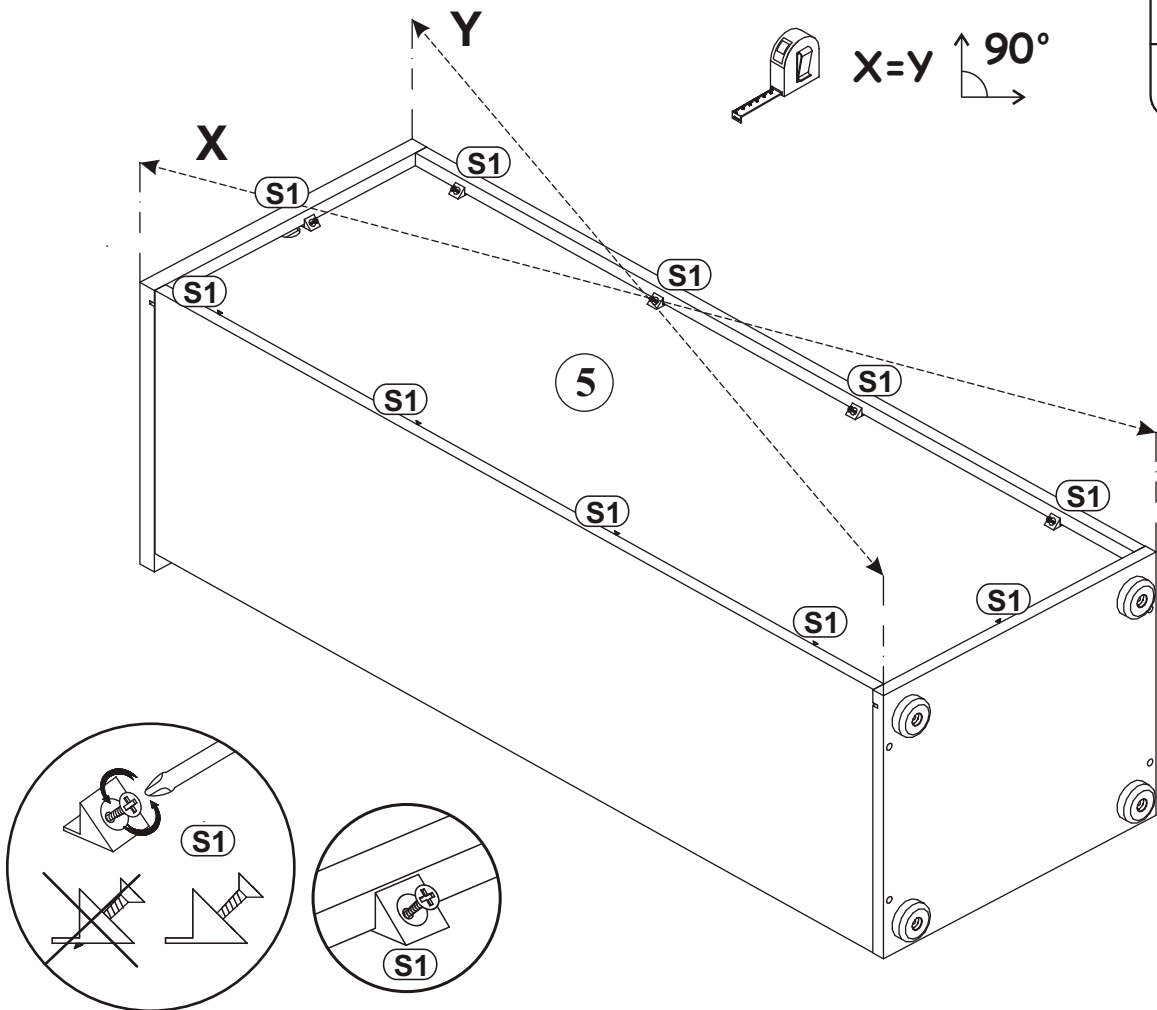
8

G5	
x4	

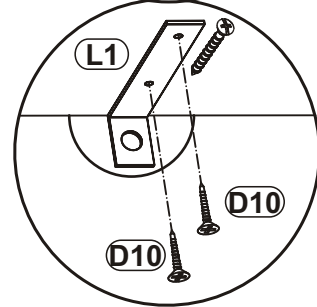
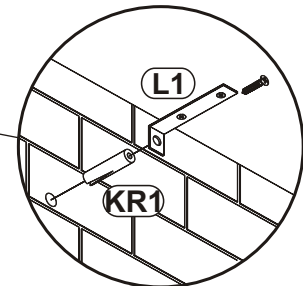
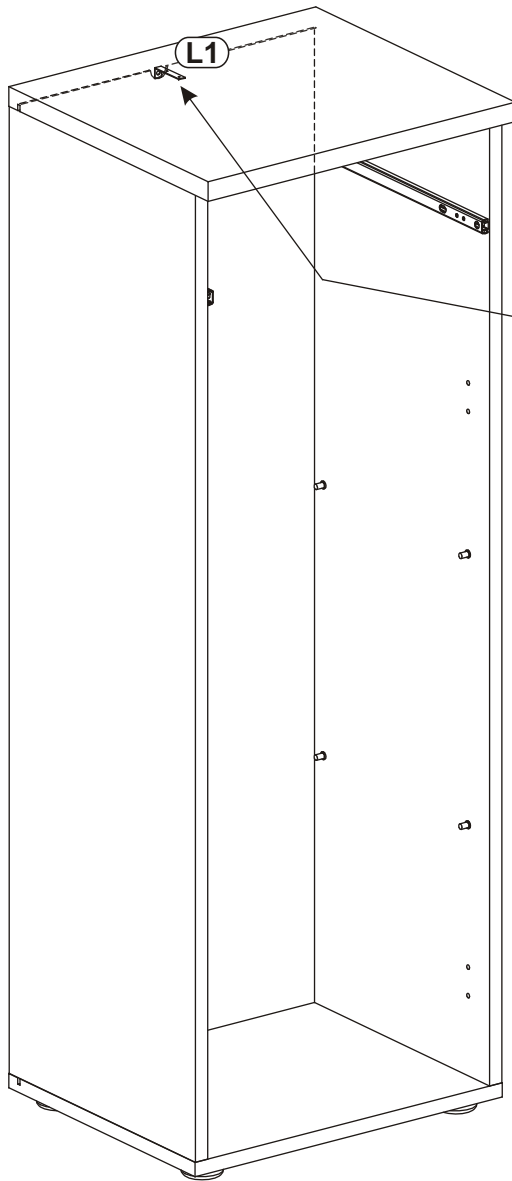
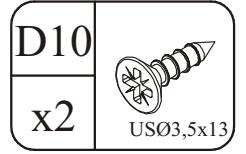
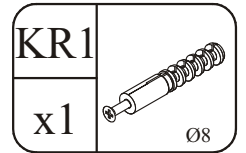
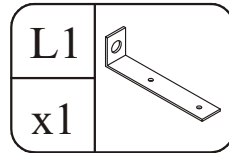
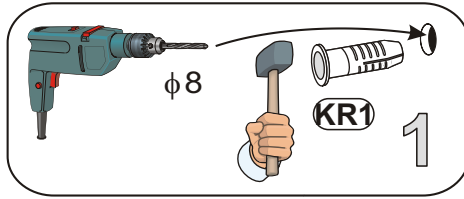
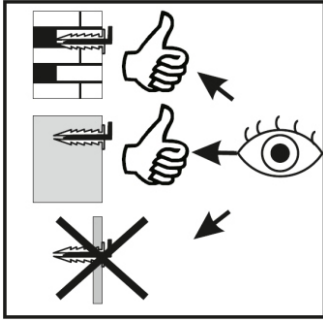


9

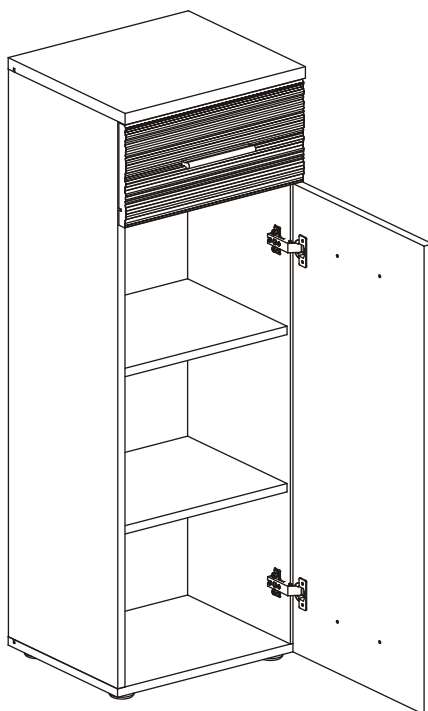
S1	
x10	



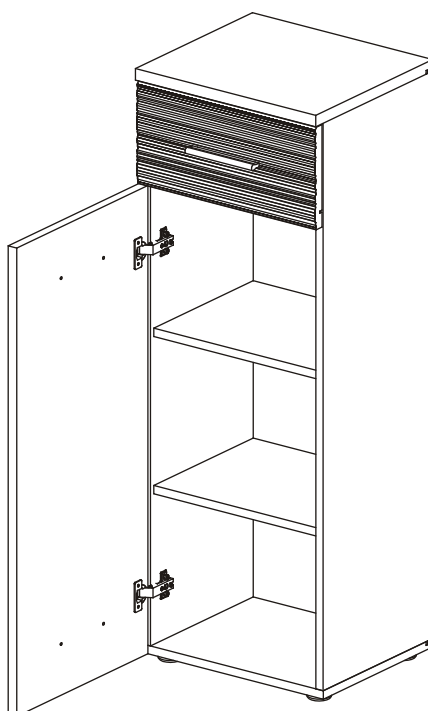
10



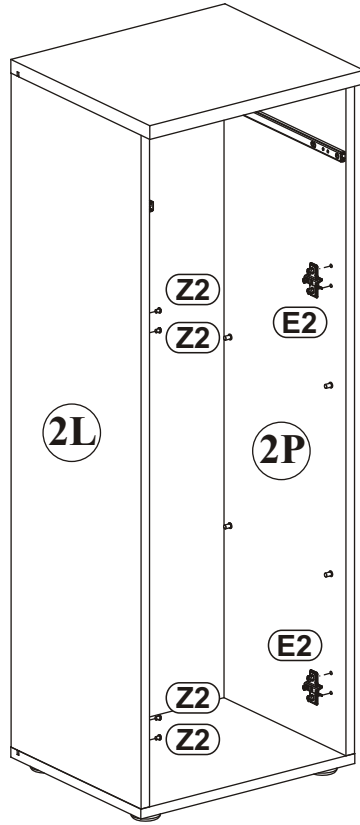
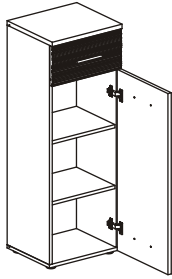
11 - 14


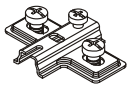


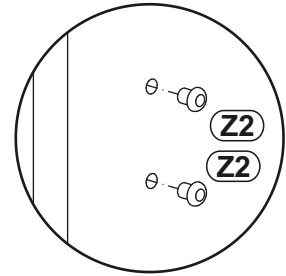
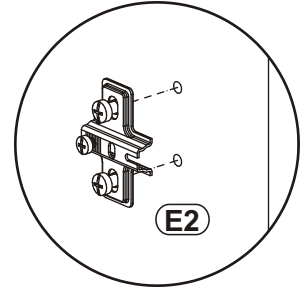
15 - 18



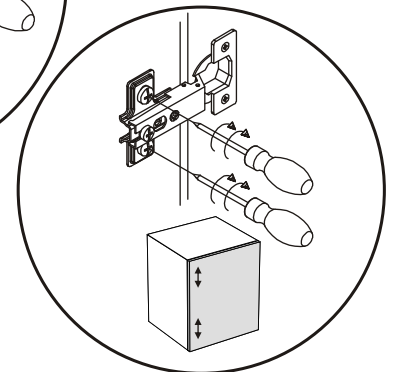
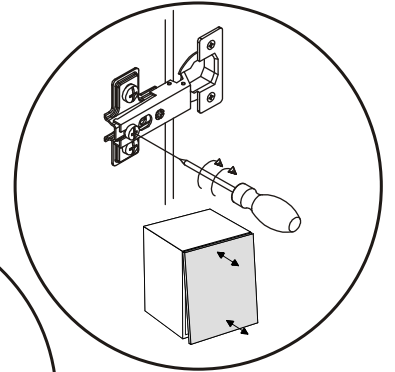
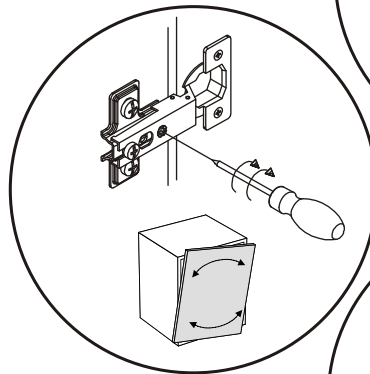
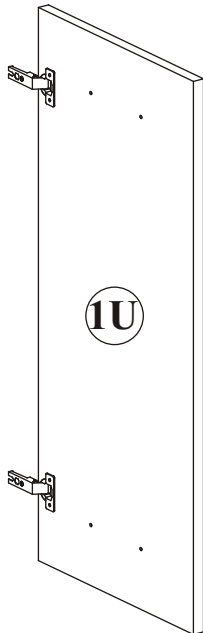
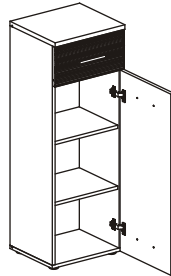
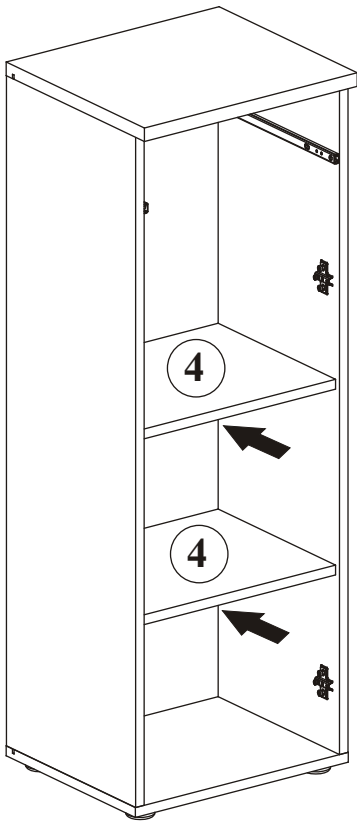
11



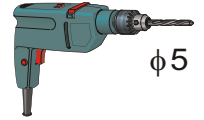
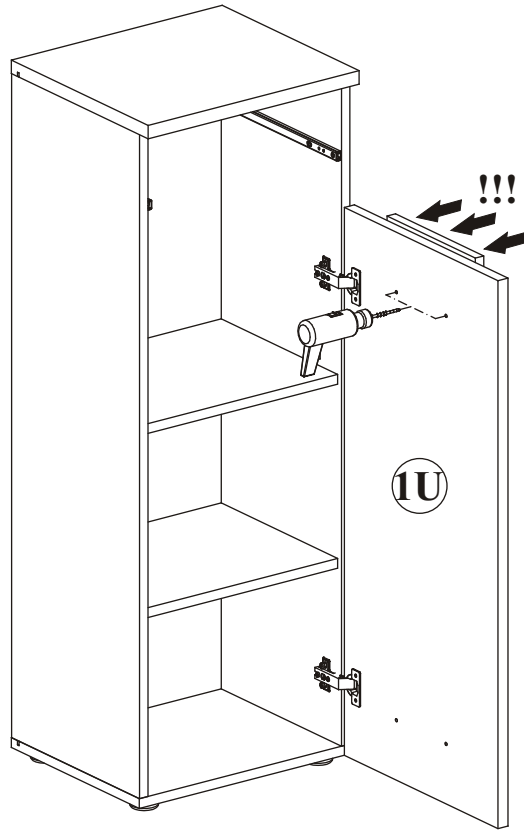
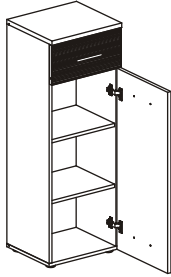
Z2		E2	
x4	Ø5	x2	H=0



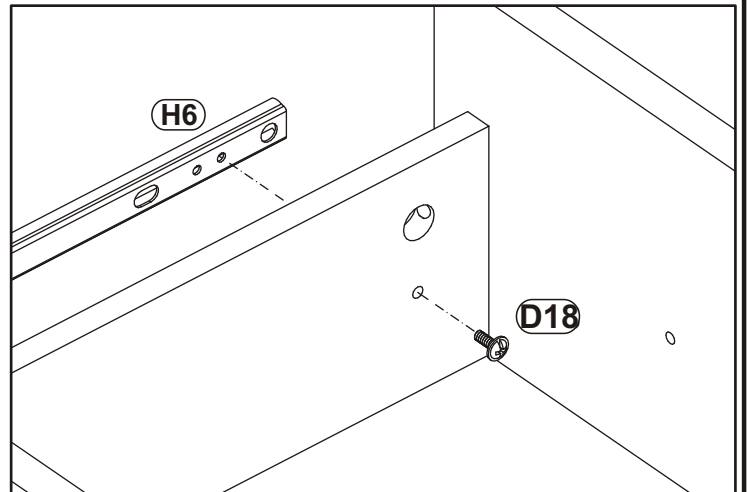
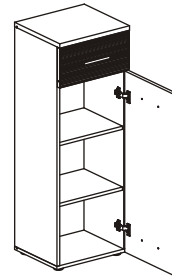
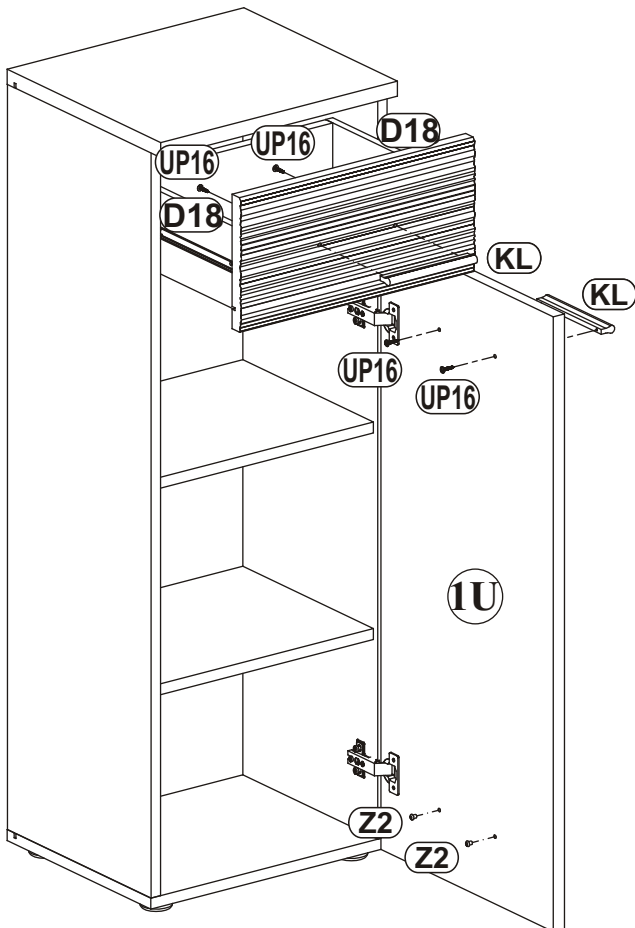
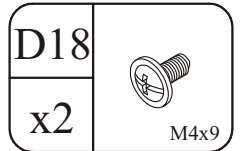
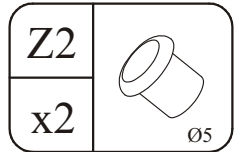
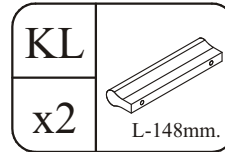
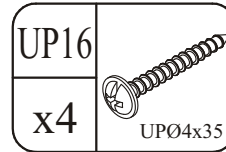
12



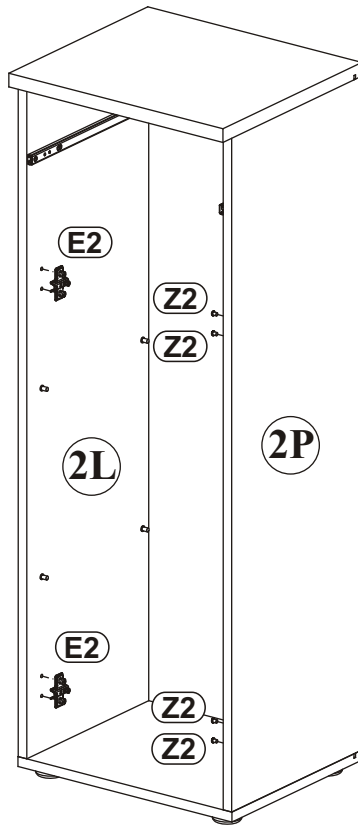
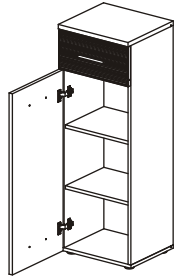
13


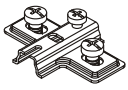


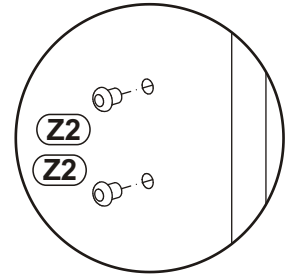
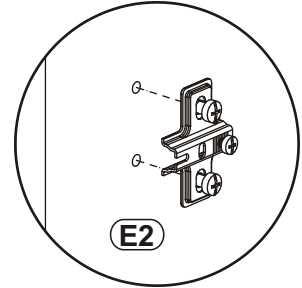
14



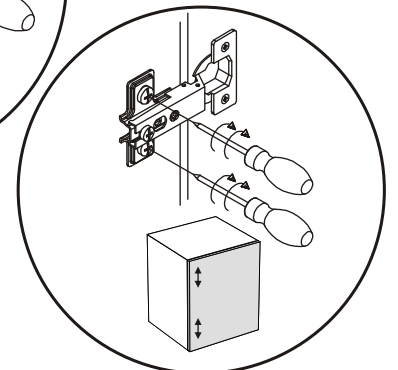
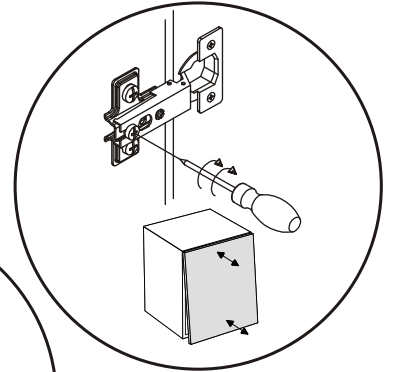
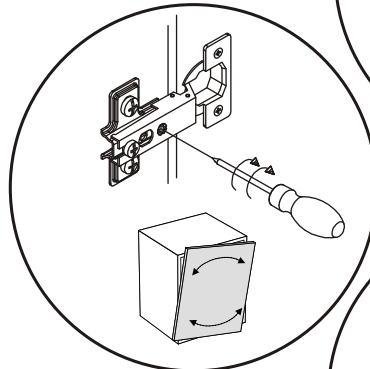
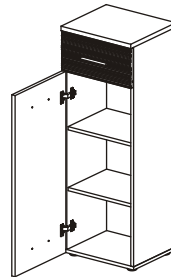
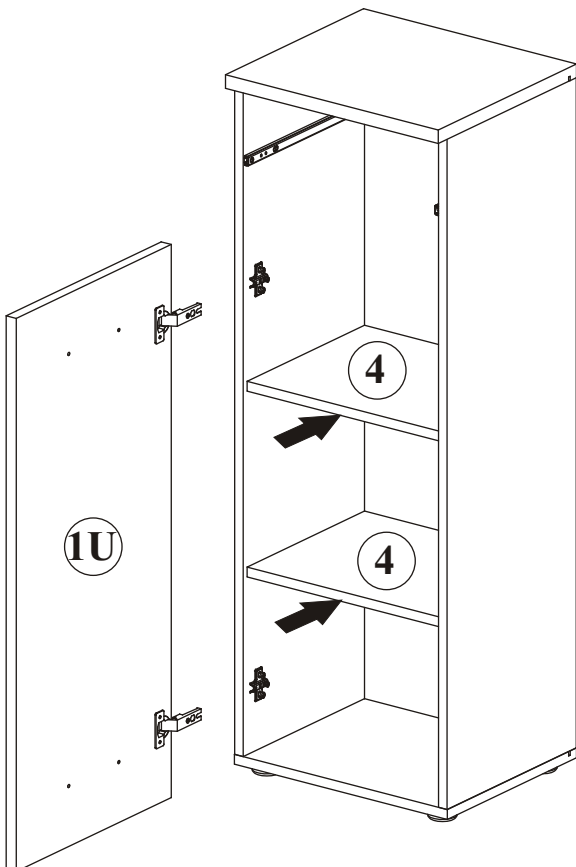
15



Z2		E2	
x4	Ø5	x2	H=0

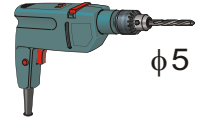
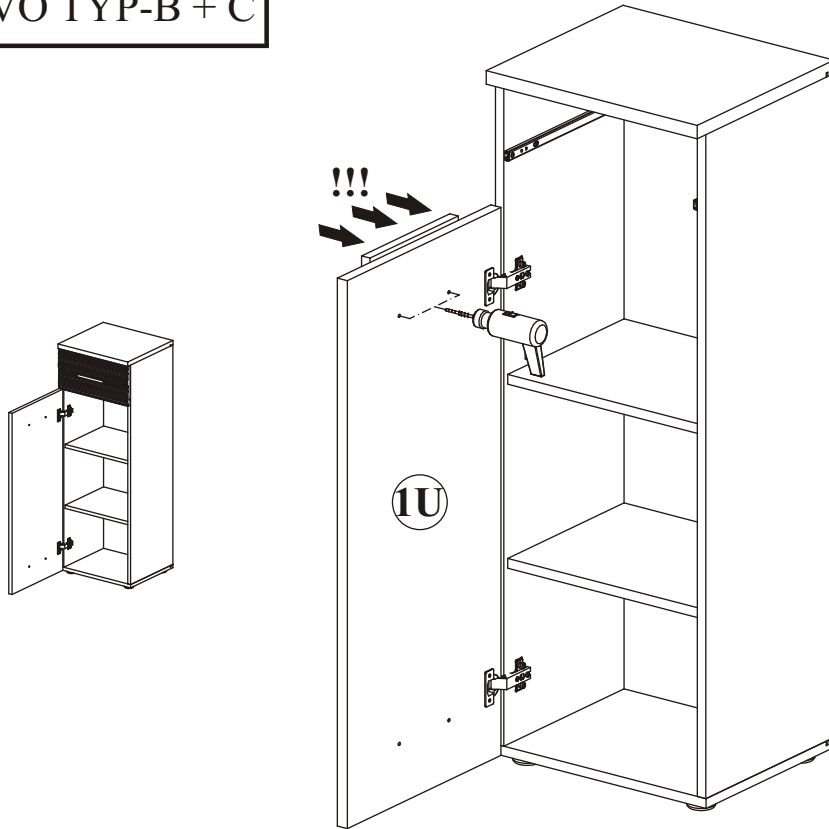


16

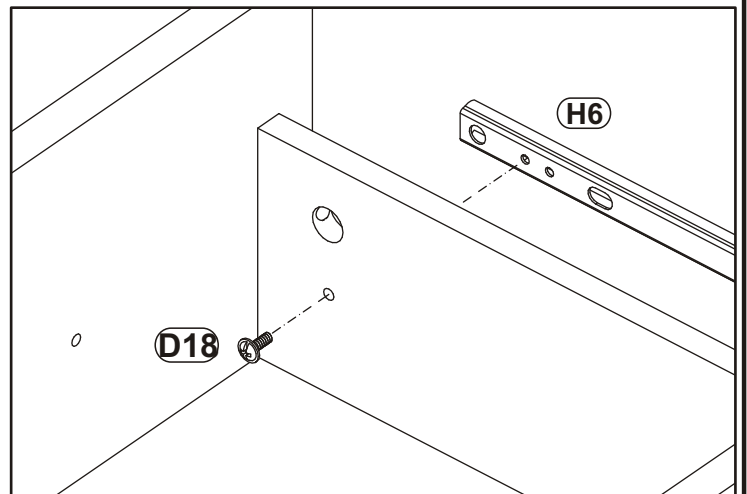
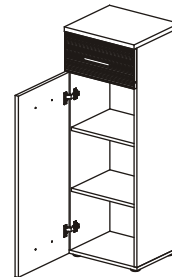
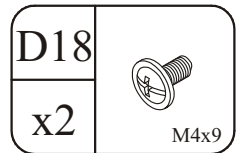
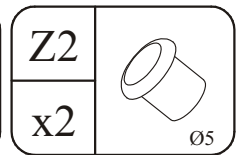
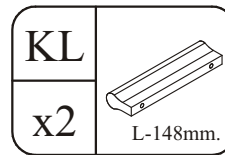
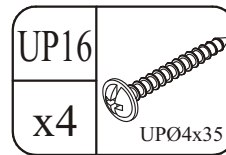
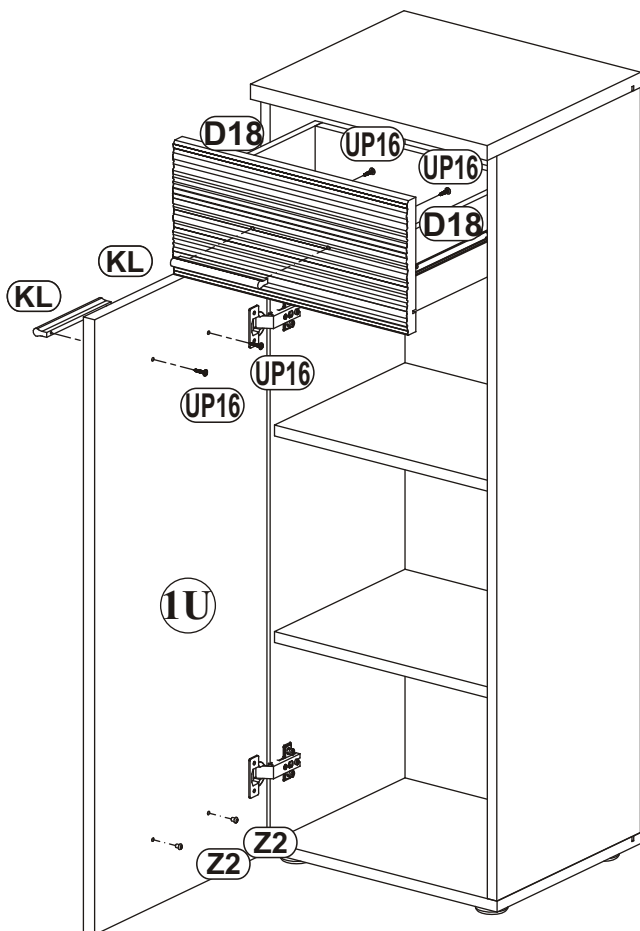


GUSTAVO TYP-B + C

17

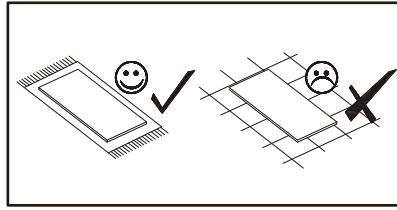
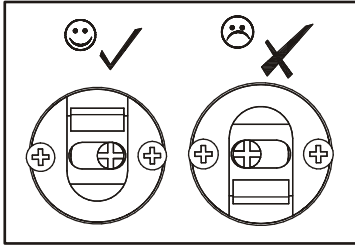


18



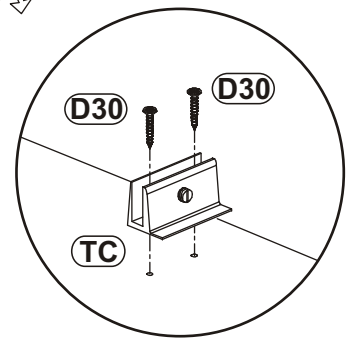
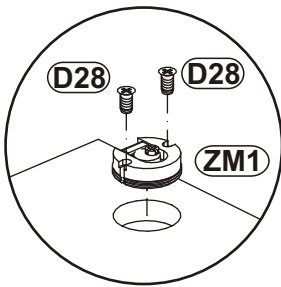
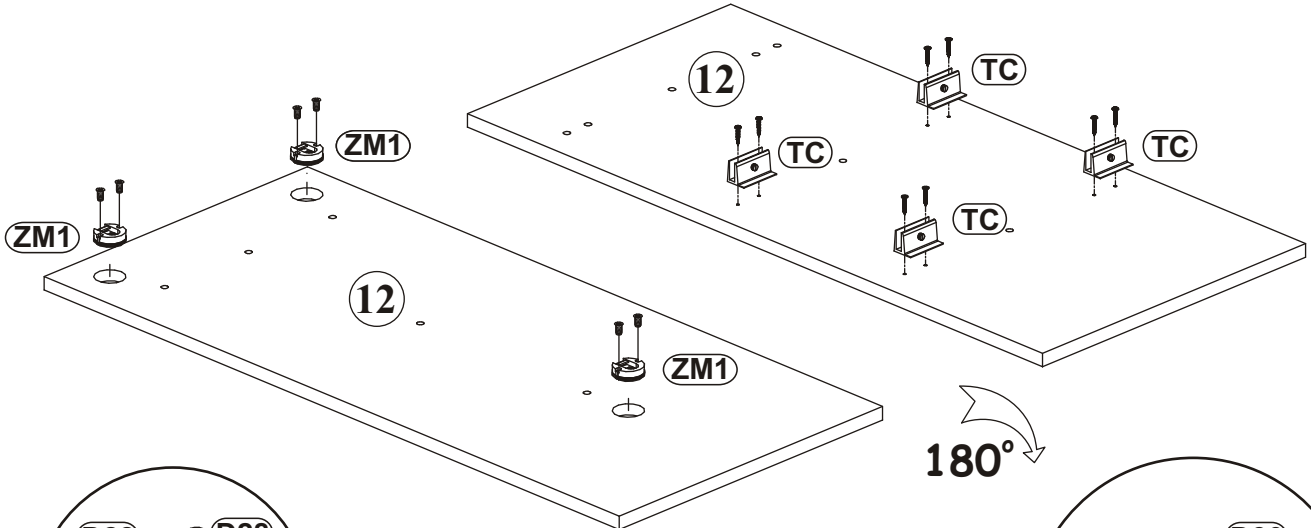
GUSTAVO TYP-B + C

19



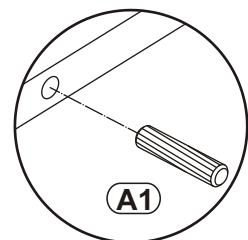
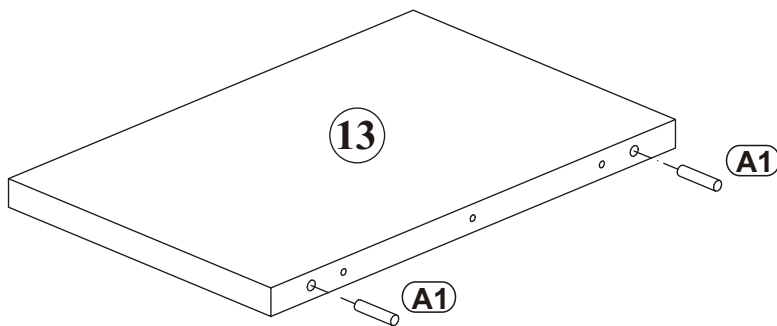
D28		ZM1	
x6	ESØ6x9,5	x3	

D30		TC	
x8	USØ3,5x16	x4	



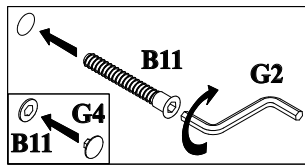
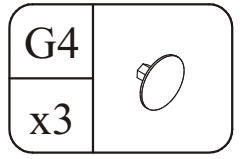
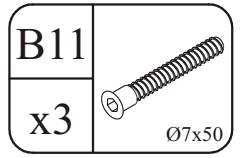
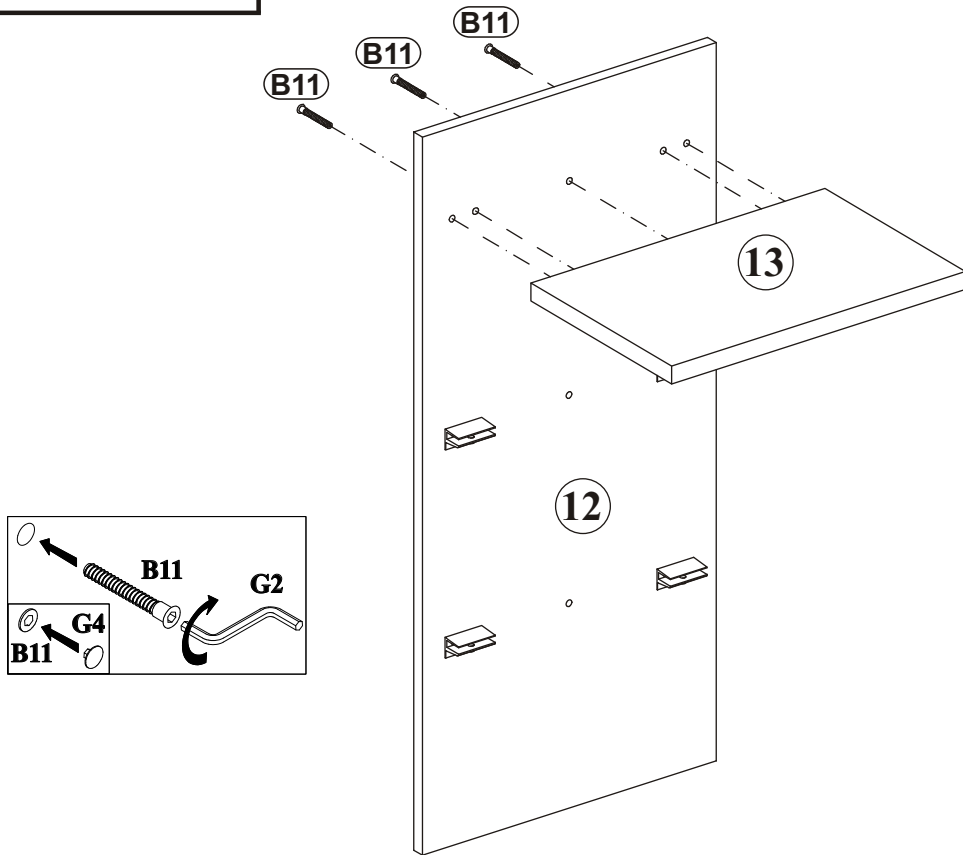
20

A1	
x2	ø8x36



GUSTAVO TYP-B + C

21



22

