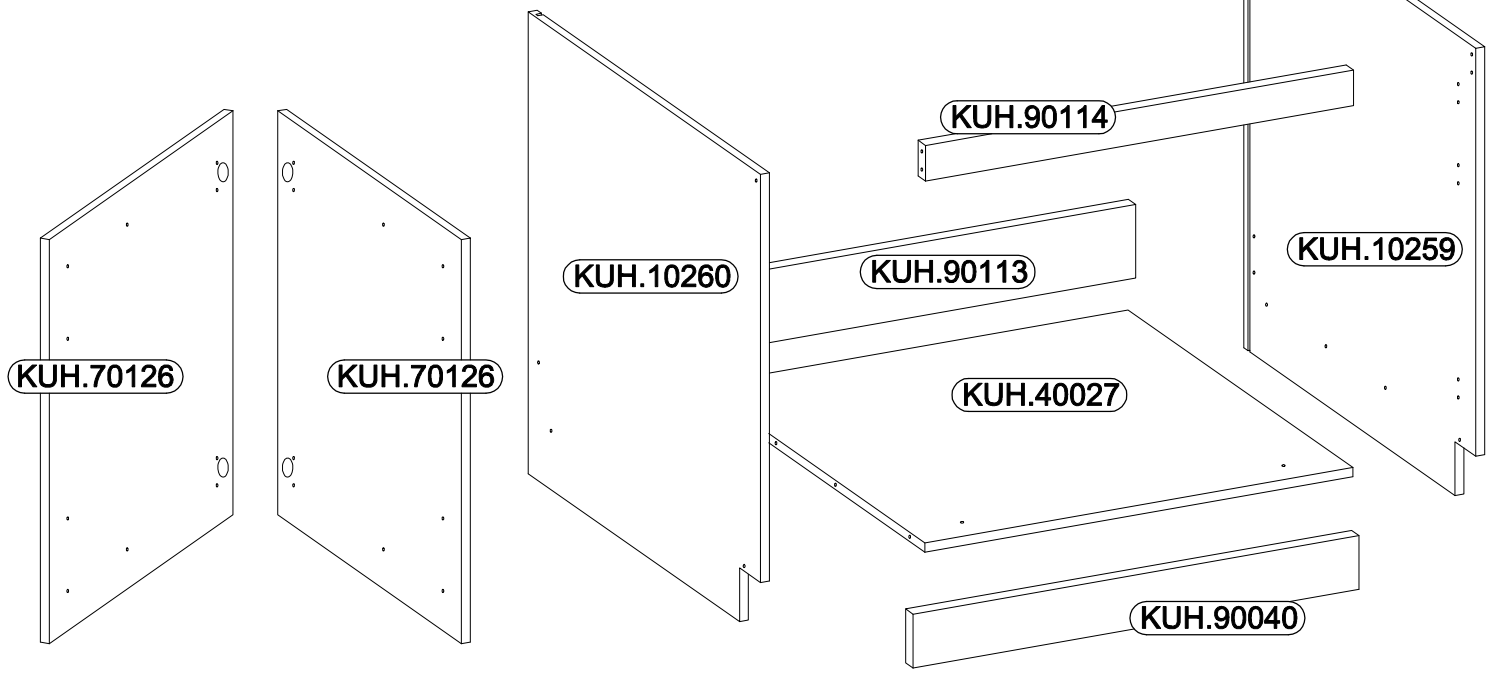
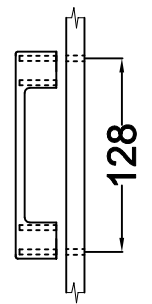
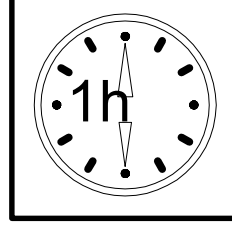
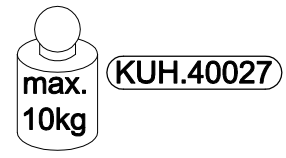
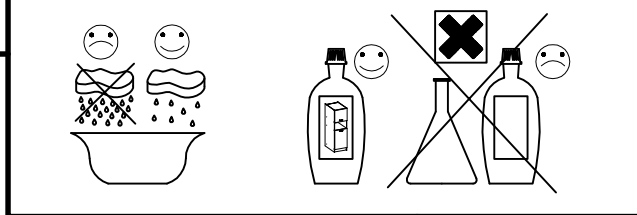
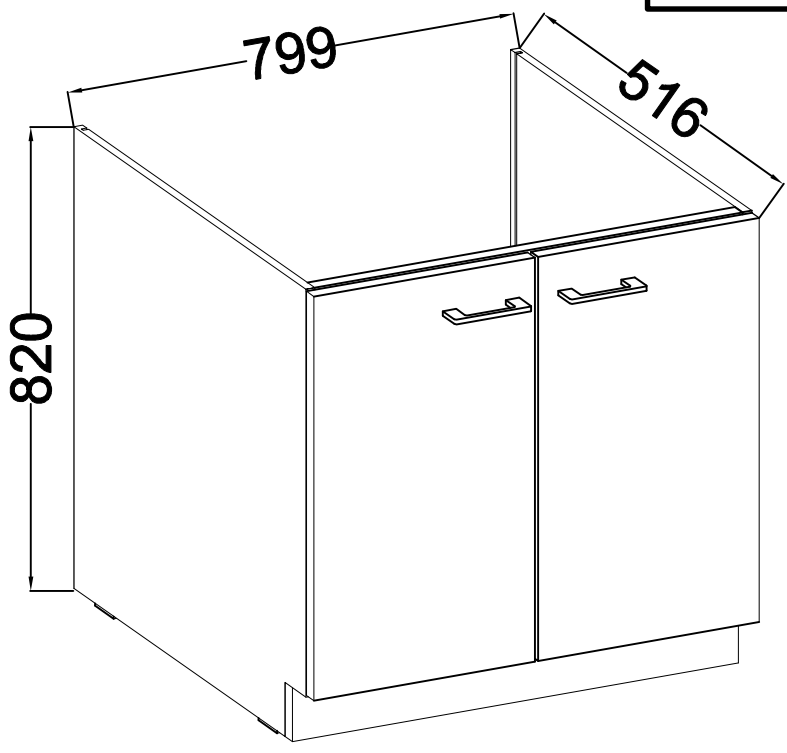
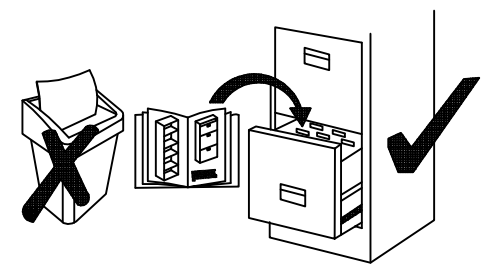


80 ZL 2F BB

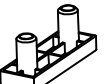
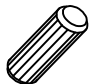


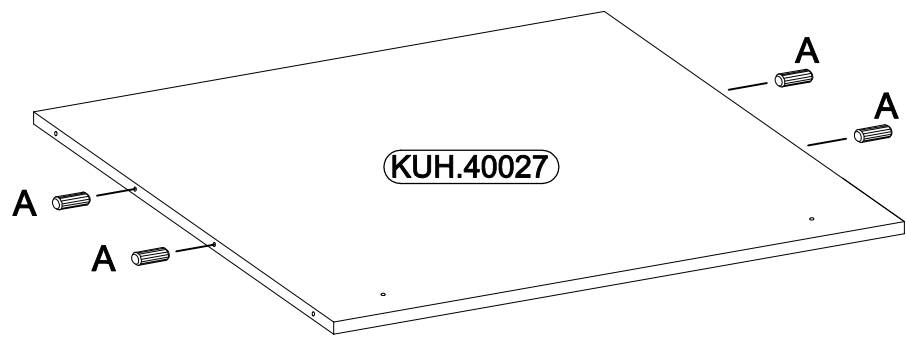
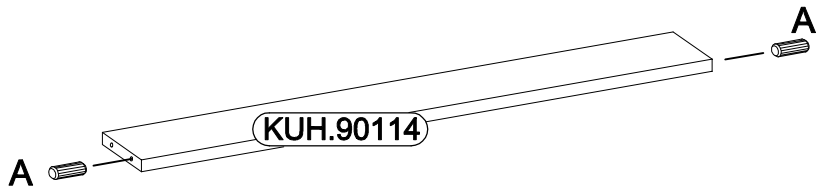
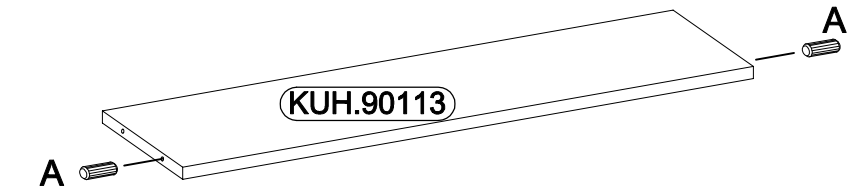
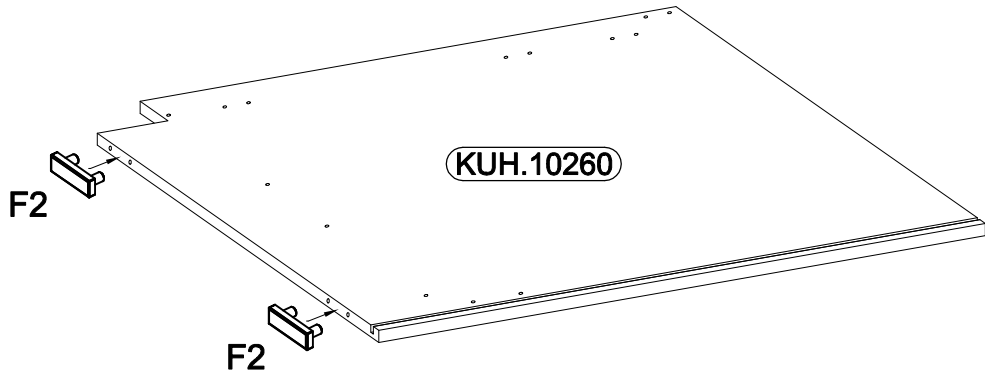
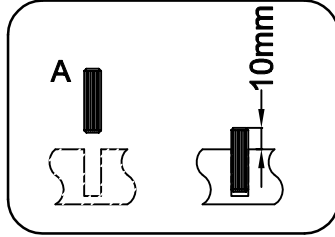
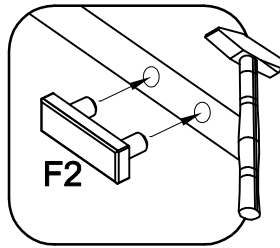
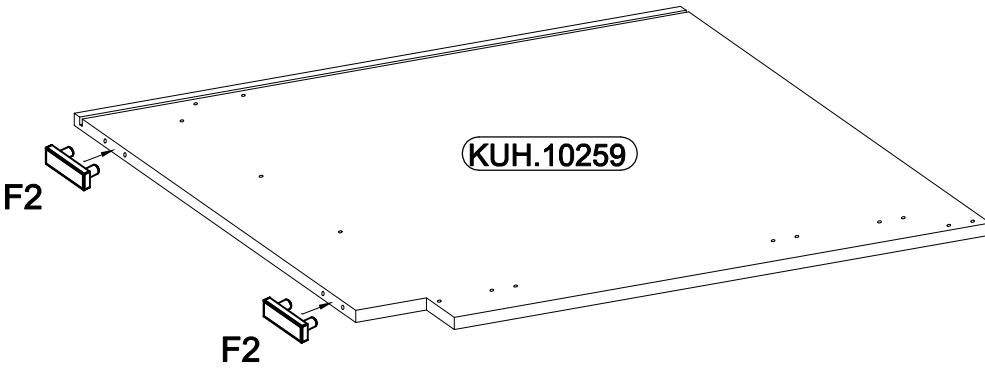
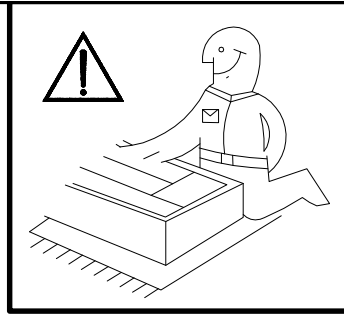
Ø8x30mm A 8	6,4 x 50mm B 8	 E1 8	 E9 2	6.5x48x16 F2 4
 O 1	Ø4.0x45mm P4 2	Ø3.5x13mm P5 8	Ø4.0x30mm R2 4	 S 2
				Ø35/0mm [CD] HG 4






ISM-KUH-01549

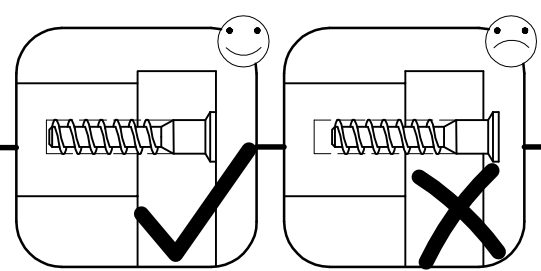
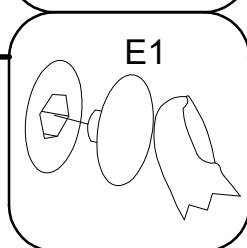
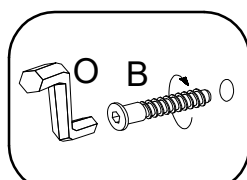
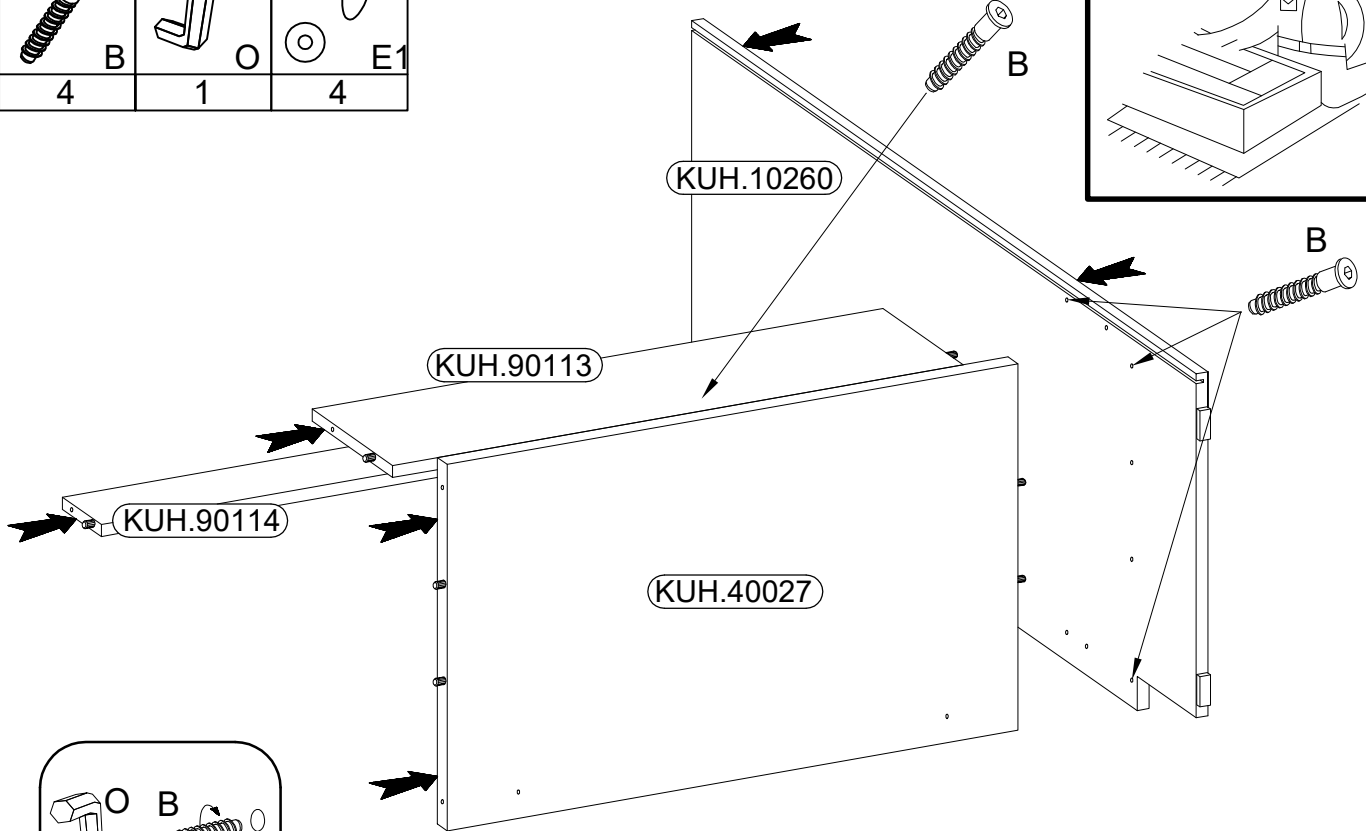
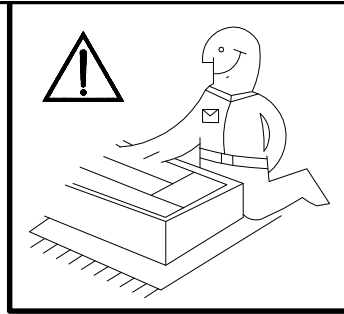
1

6.5x48x16	Ø8x30mm
 F2	 A
4	8

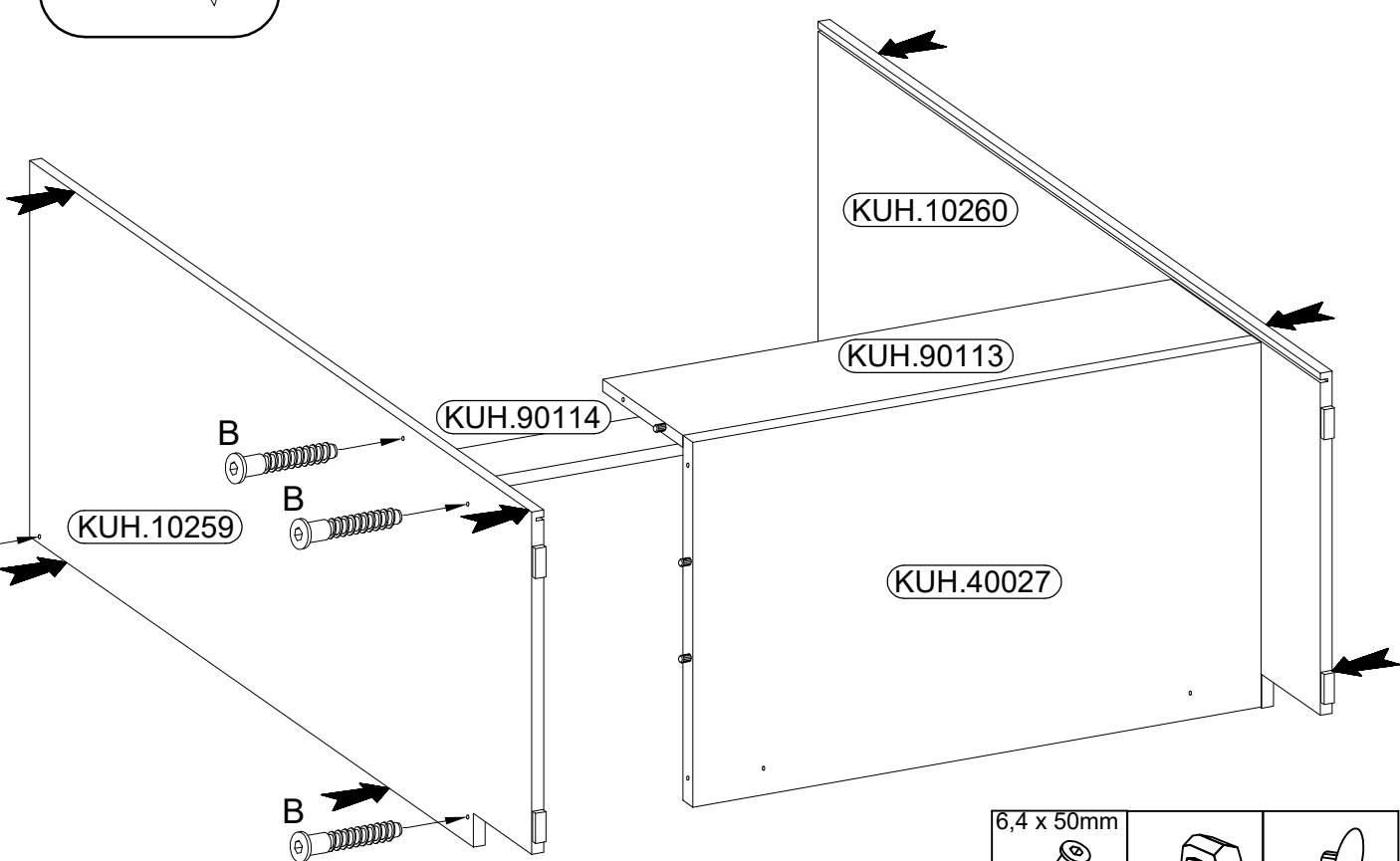




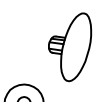
2

6,4 x 50mm		
		
B	O	E1
4	1	4





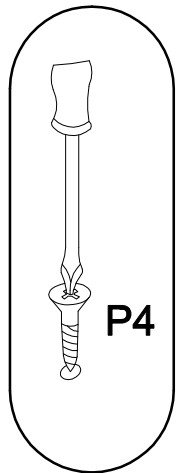
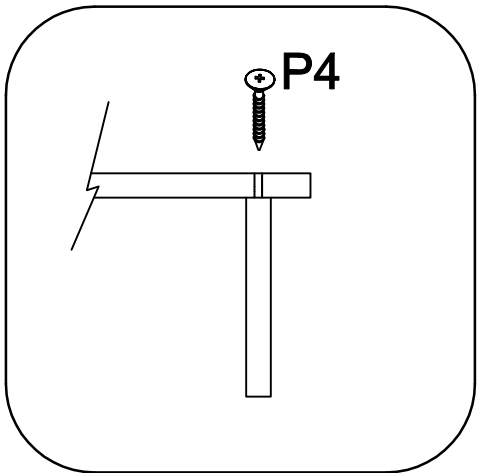
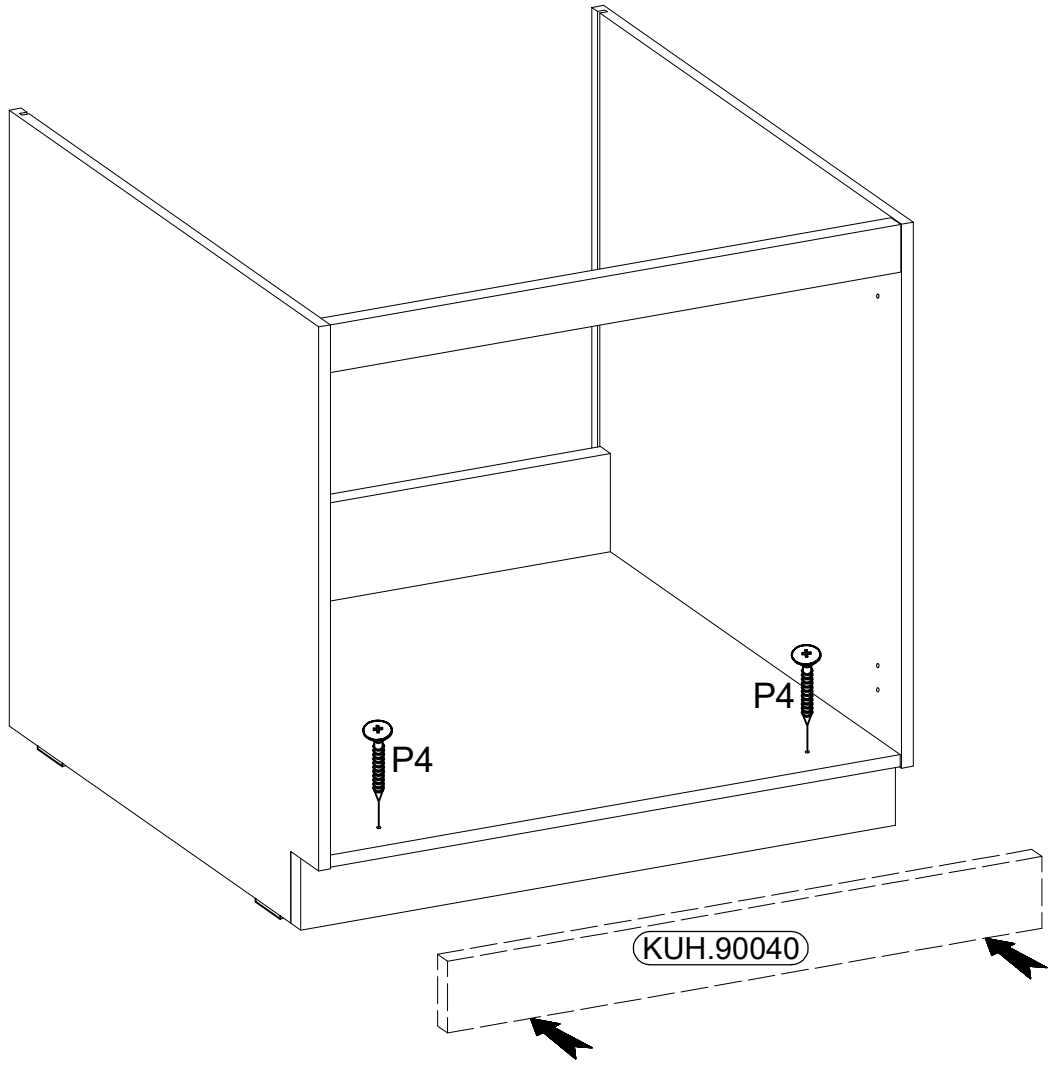
3



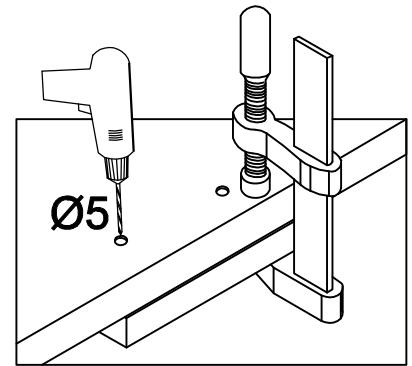
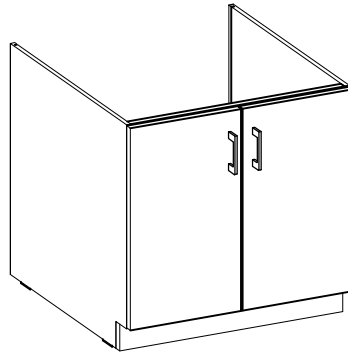
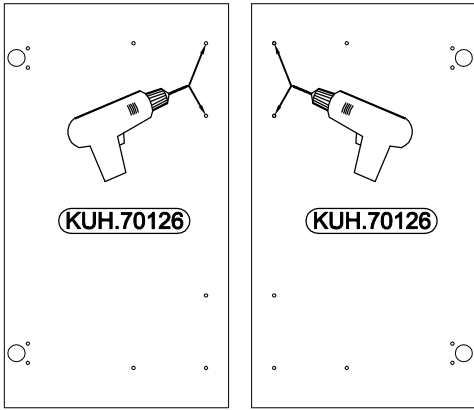
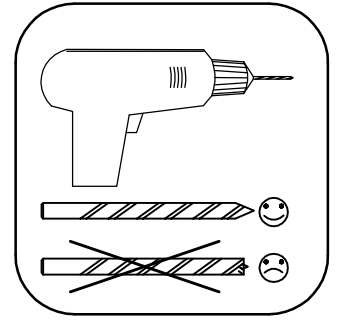
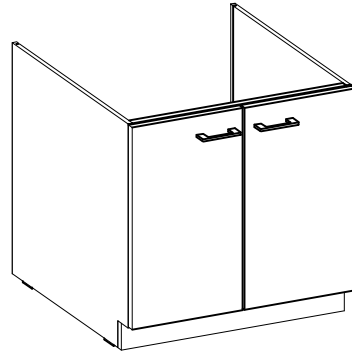
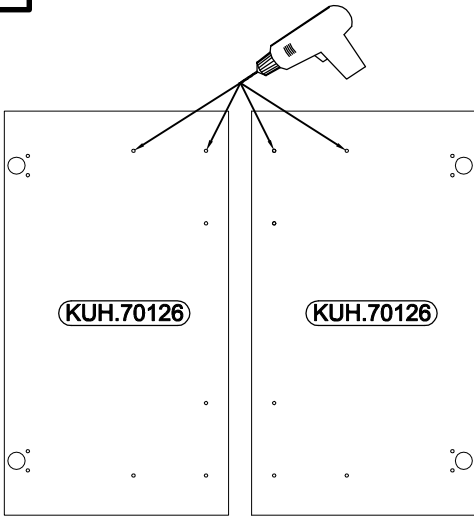
6,4 x 50mm		
		
B	O	E1
4	1	4

4

Ø4.0x45mm  P4	 E9
2	2

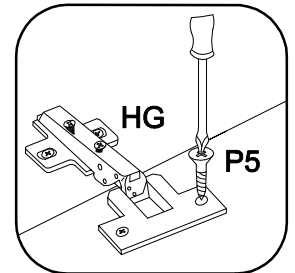
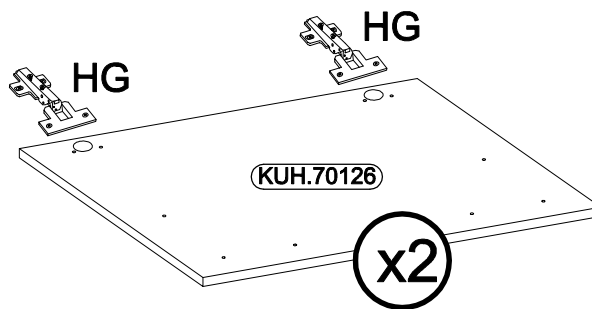


5





6

Ø35/0mm [CD] HG 2	Ø3.5x13mm P5 4
-------------------------	----------------------



7

Ø4.0x30mm	
 R2	 S
4	2

