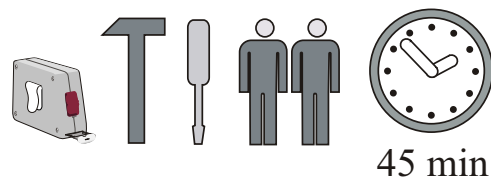
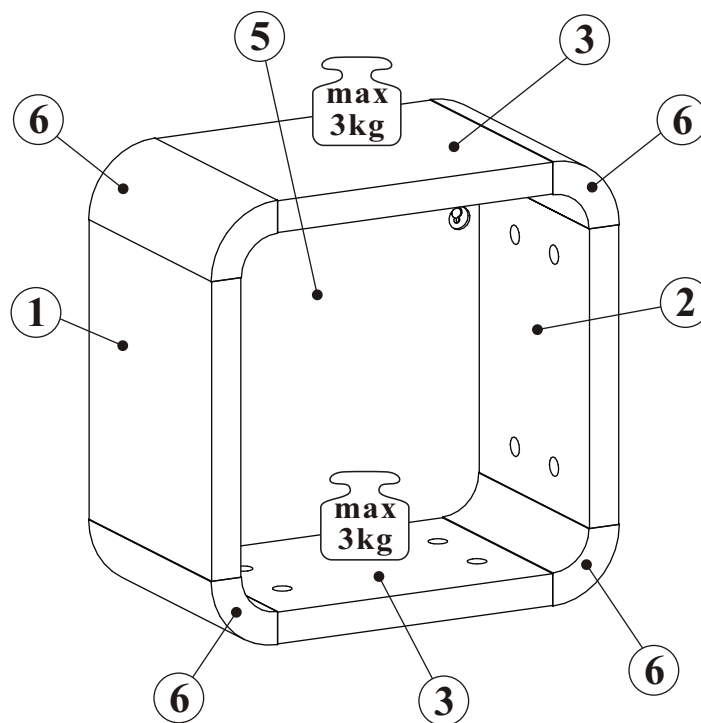
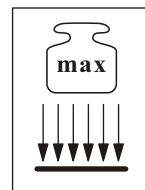


WALLY TYP 01

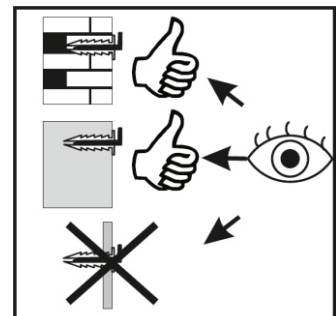
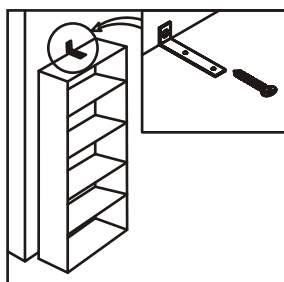
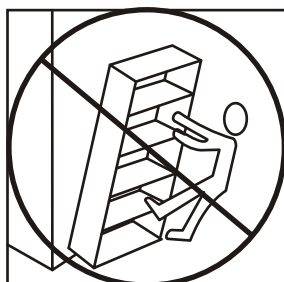
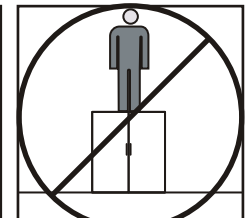
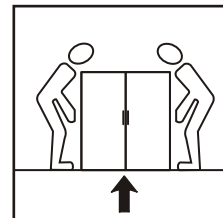
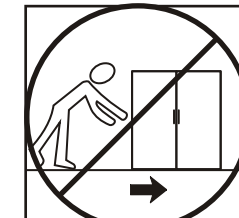
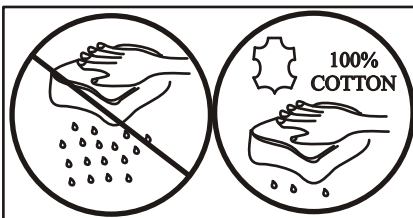
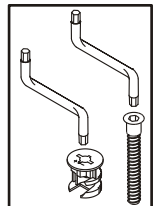
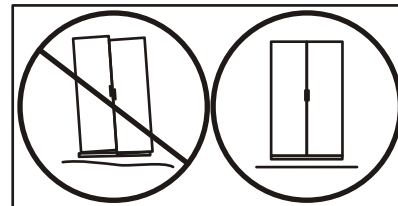
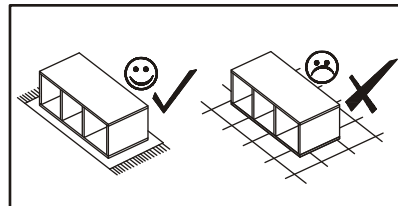
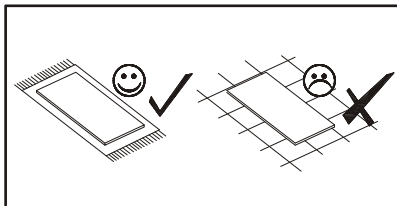
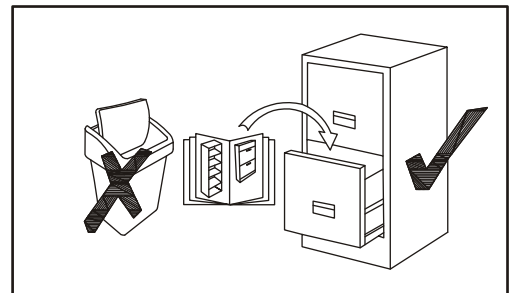
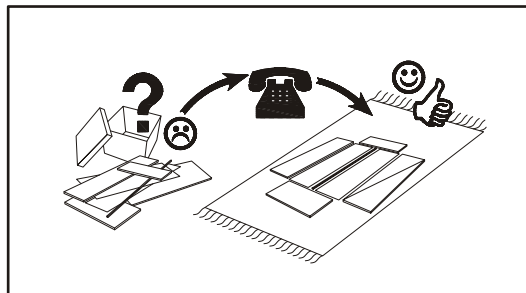
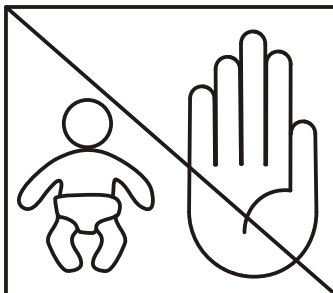
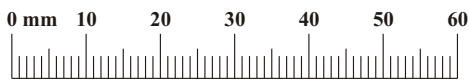


45 min

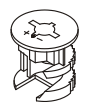
NO	Dim.			Col.-No	Qty
1	236	200	25	1	1
2	236	200	25	1	1
3	236	200	25	1	2
5	311	311	3	1	1
6	200	80,4	35	1	4

WALLY TYP 01

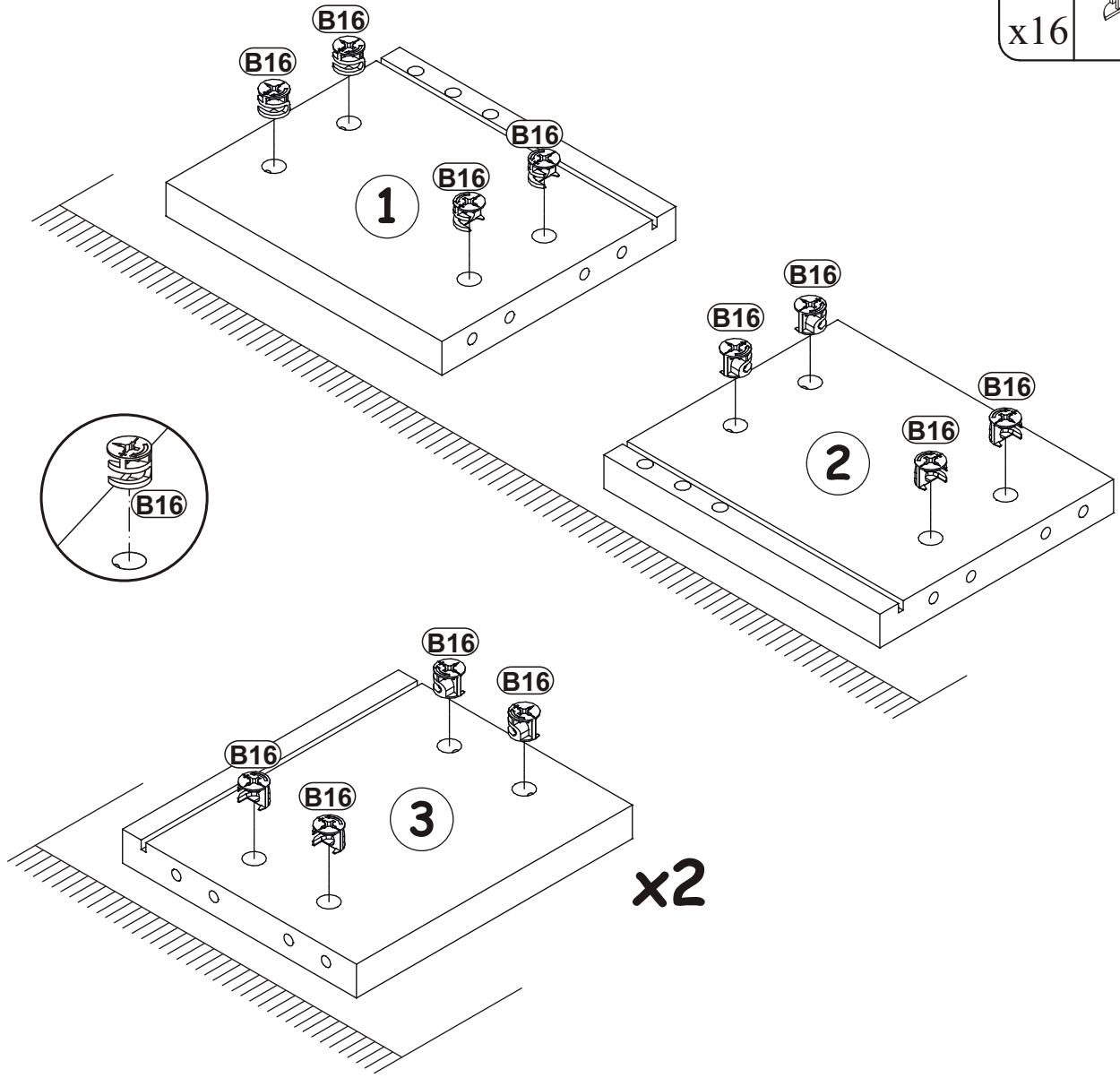
A1 x16 ø8x36	B4 x16	B16 x16 Ø15x16	G5 x16	ZHP x1	ZHL x1
D6 x4 USØ3,5x30	S1 x4	G8 x2 Ø20	SZ7 x2	KR1 x4 Ø8	G2 x1



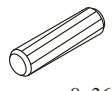
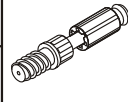
WALLY TYP 01

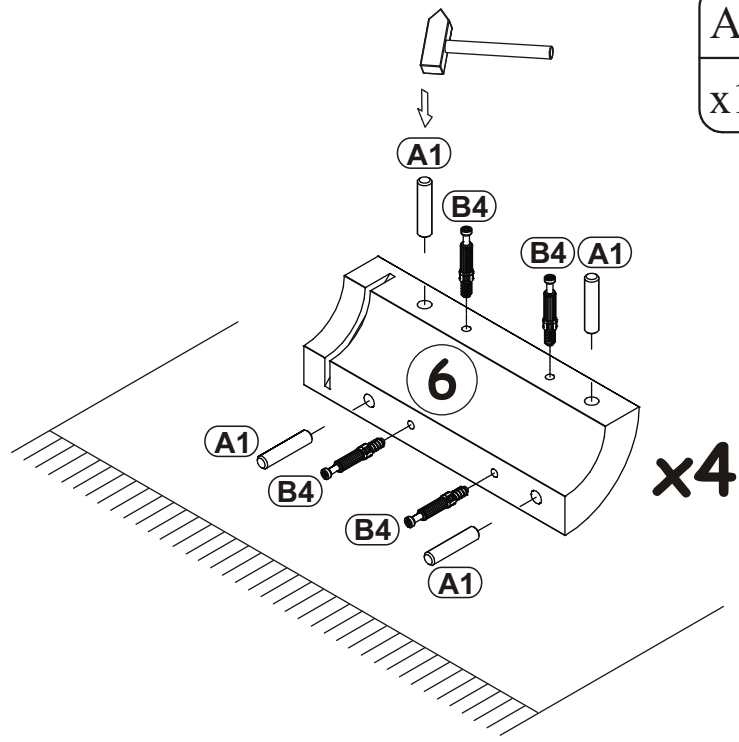
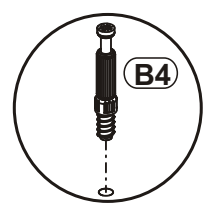
B16	
x16	Ø15x16

1

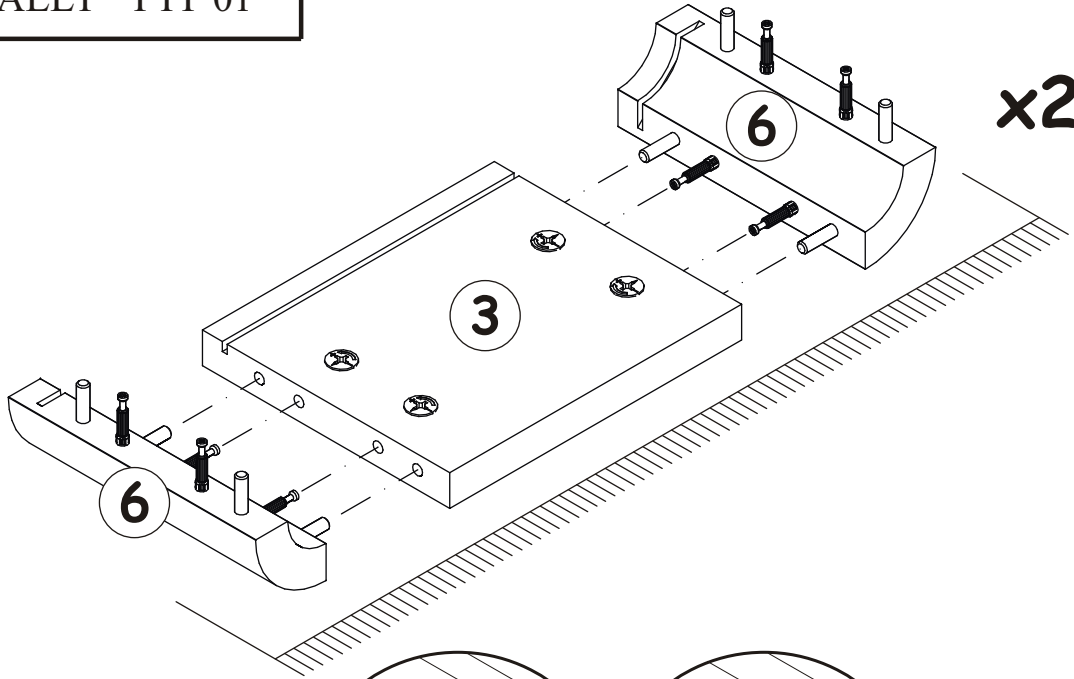


2

A1		B4	
x16	ø8x36	x16	

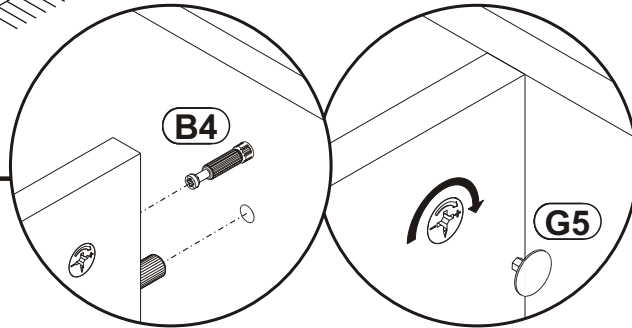


3



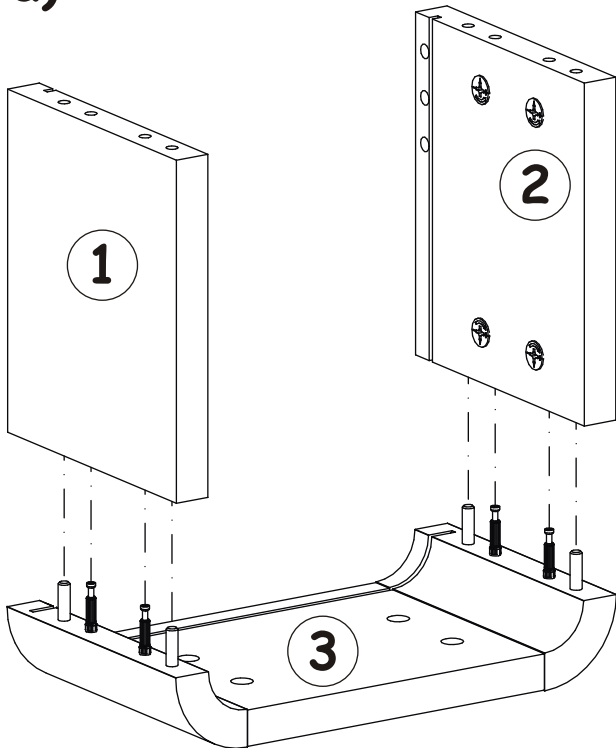
G5	
x8	

4

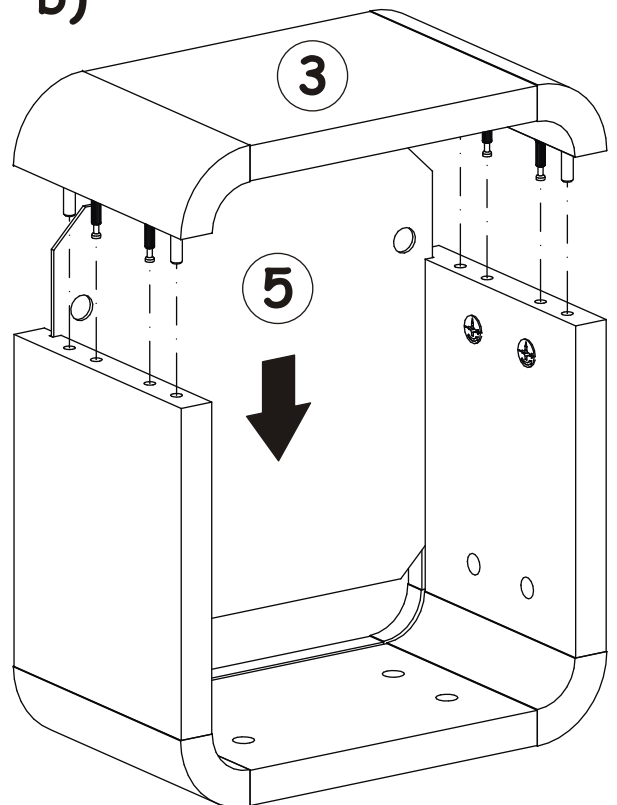


G5	
x8	

a)

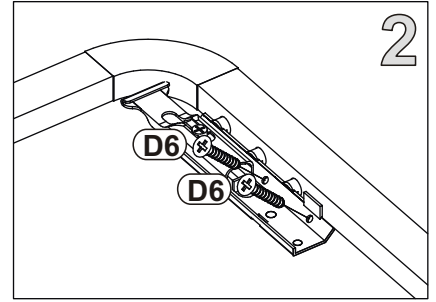
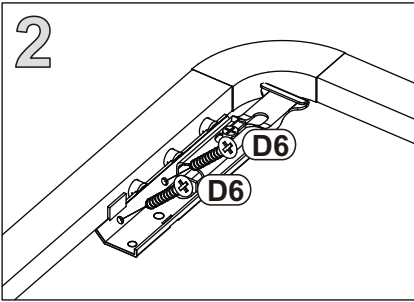
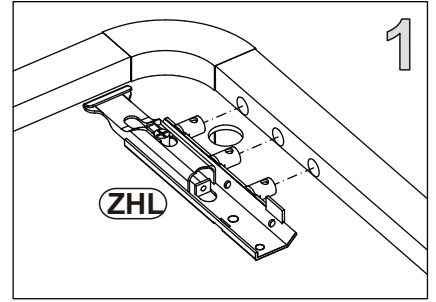
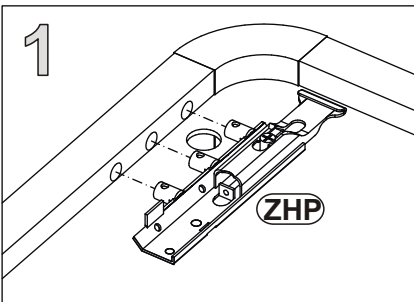
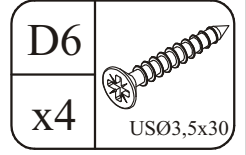
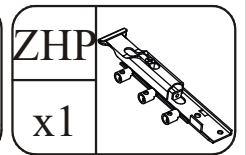
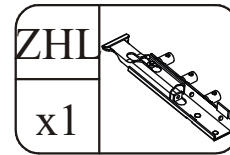
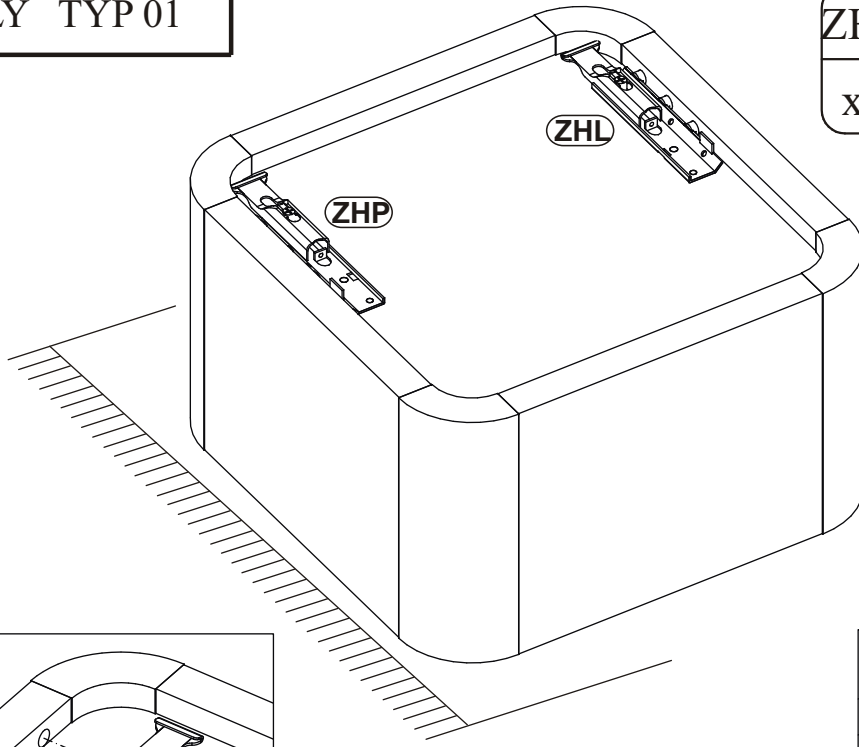


b)



WALLY TYP 01

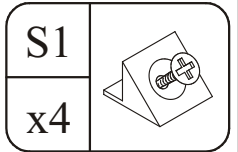
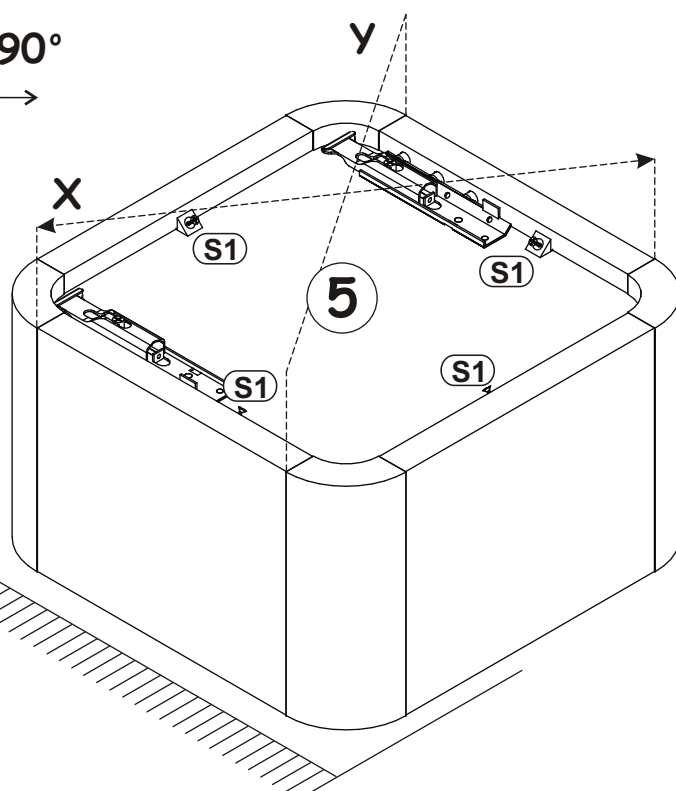
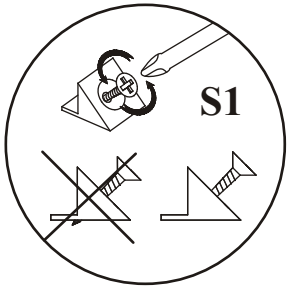
5



6

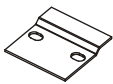


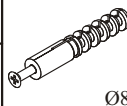
$X=Y$ 90°




WALLY TYP 01

7

SZ7	
x2	

KR1	
x4	Ø8

G8	
x2	Ø20

