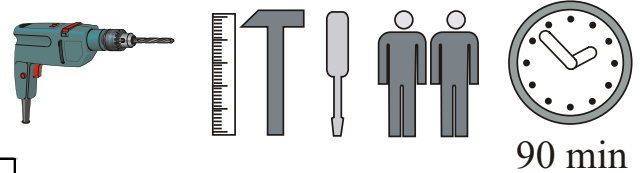
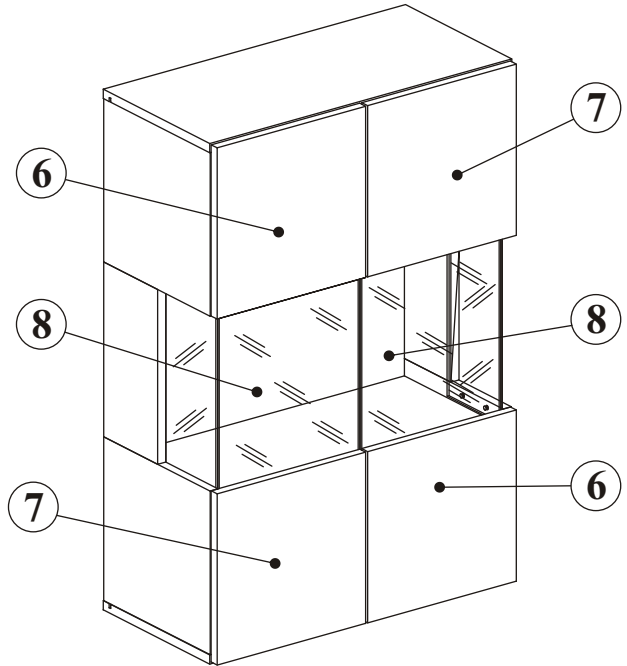
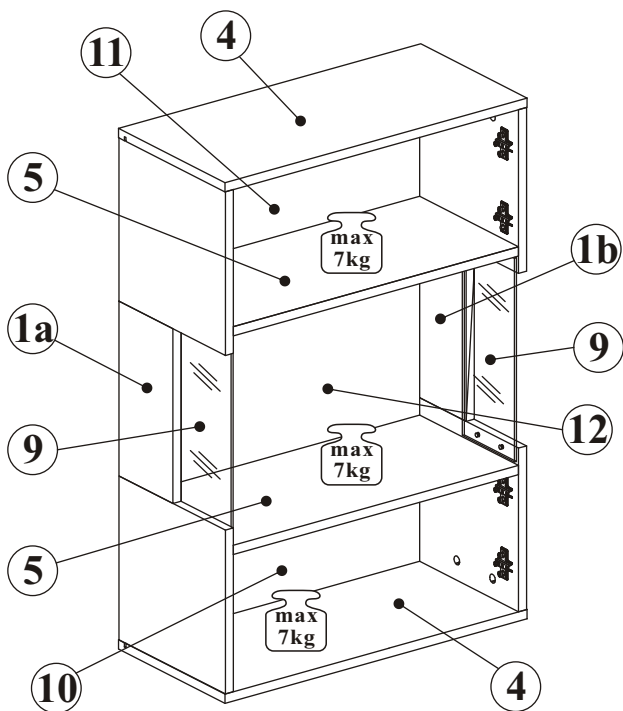
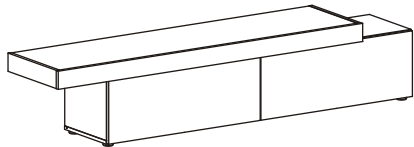
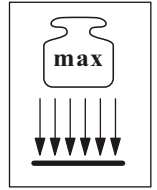
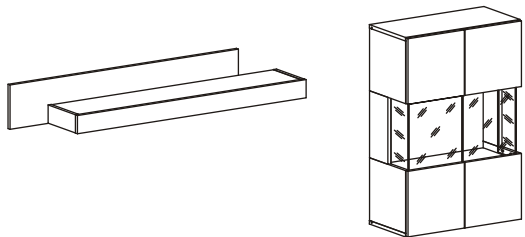


# CONCRET 20\_CR TYP 20

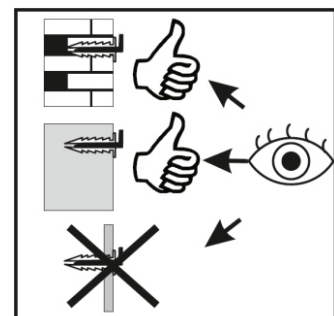
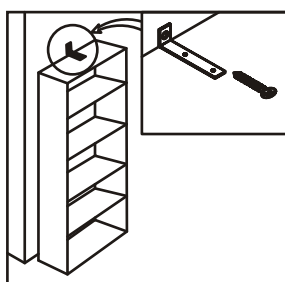
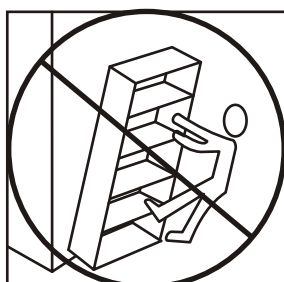
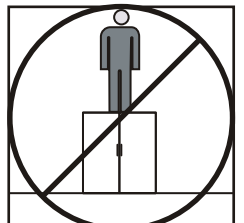
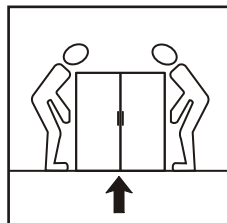
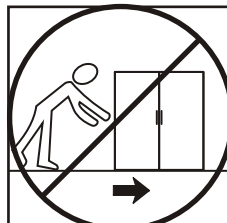
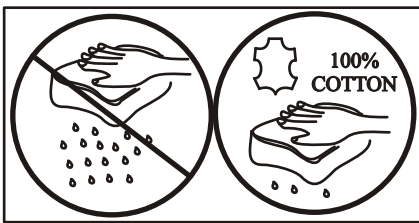
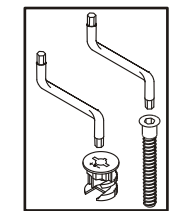
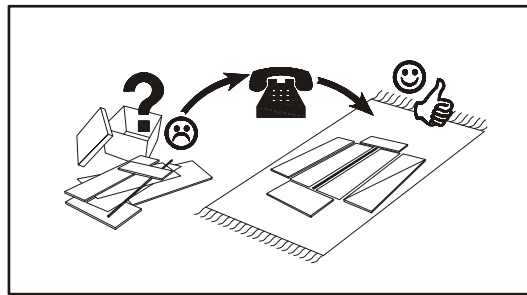
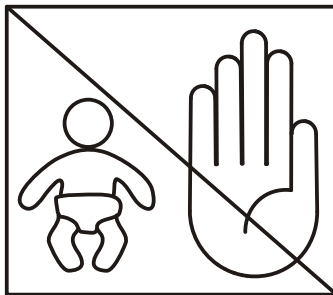
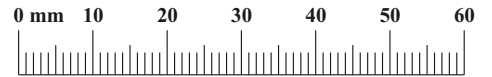


90 min

NO	Dim.			Col.-No	Qty
1a	868	286	16	1	1
1b	868	286	16	1	1
4	602	286	16	1	2
5	568	266	16	1	2
6	296	296	16	1	2
7	296	296	16	1	2
8	352	280	4	1	2
9	352	140	4	1	2
10	251	580	3	1	1
11	251	580	3	1	1
12	377	580	3	1	1

# CONCRET 20\_CR TYP 20

A1 x16 ø8x36	B4 x16	B5 x16 ø15x12	G5 x16	KR3 x2 ø10	D10 x20 USØ3,5x13
E1 x8 Ø26 H=0	E2 x8 H=0	P2 x20	UP13 x30 UPØ3x16	T1 x2	G2 x1
ZXL x1	ZXP x1	S1 x14	G16 x10		



# CONCRET 20\_CR TYP 20

1

B4	
x8	

A1	
x8	ø8x36

B5	
x8	ø15x12

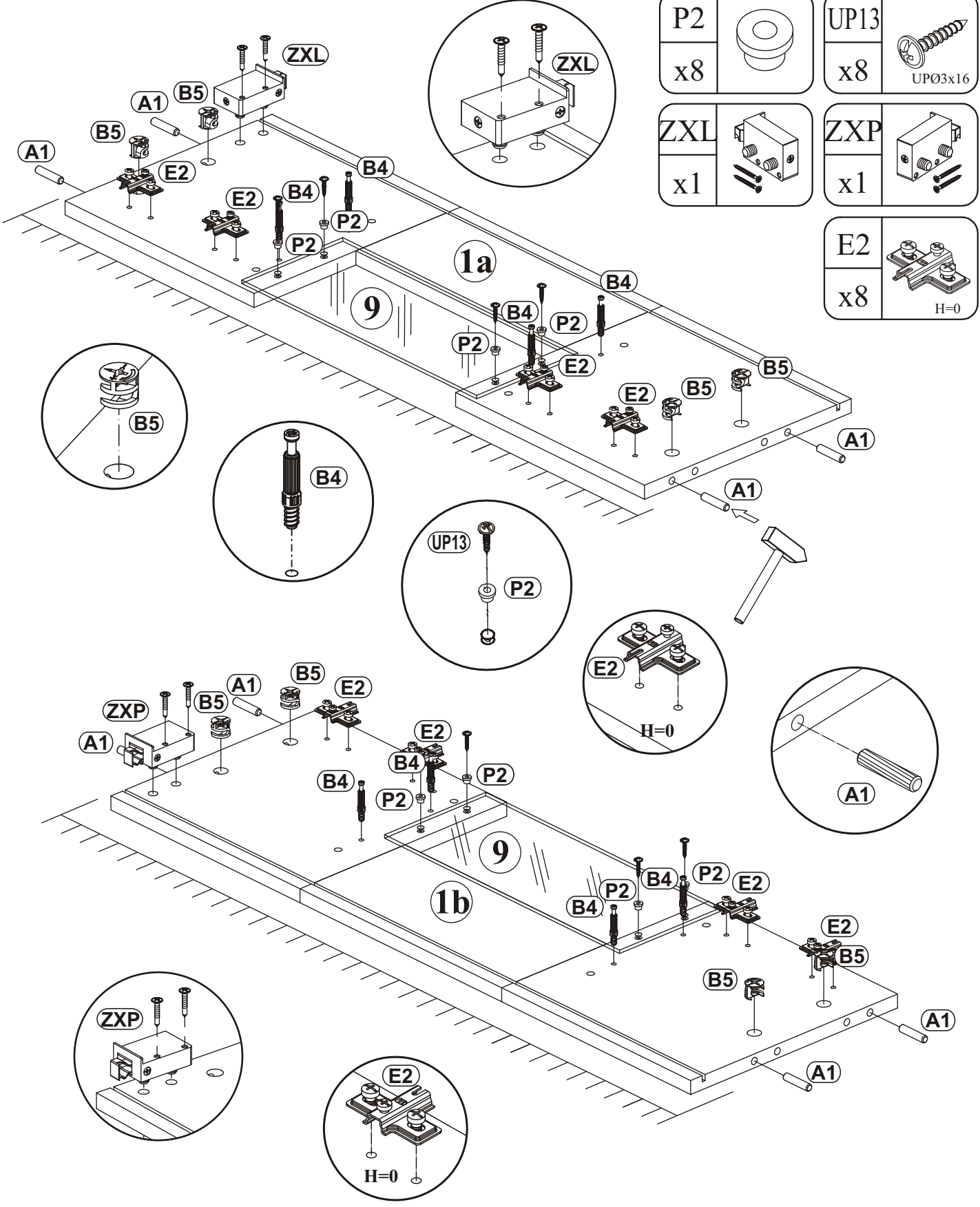
P2	
x8	

UP13	
x8	UPØ3x16

ZXL	
x1	

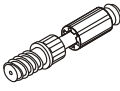
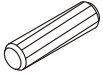

ZXP	
x1	

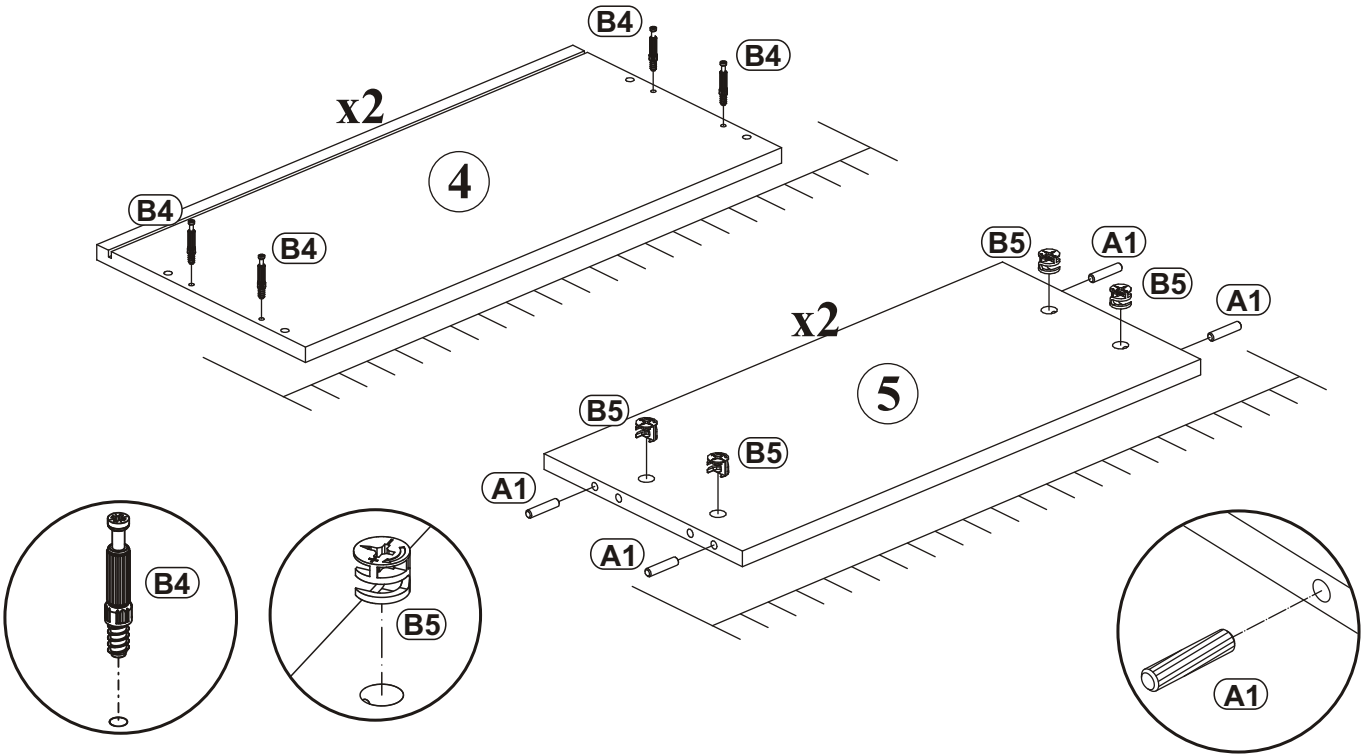
E2	
x8	H=0



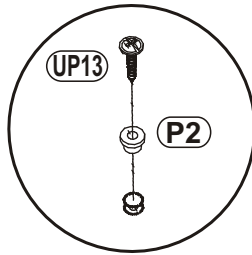
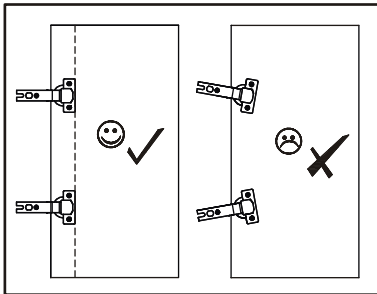
# CONCRET 20\_CR TYP 20



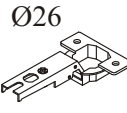

2

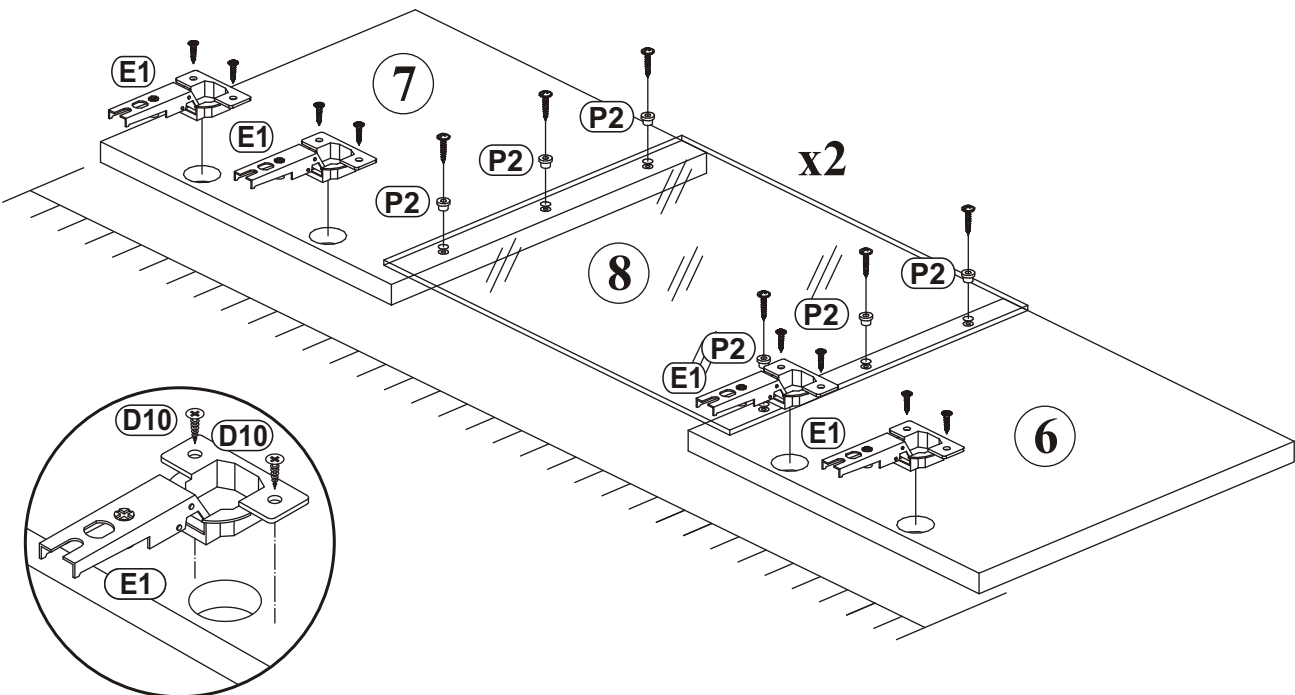
B4		A1		B5	
x8		x8	ø8x36	x8	ø15x12



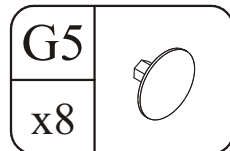
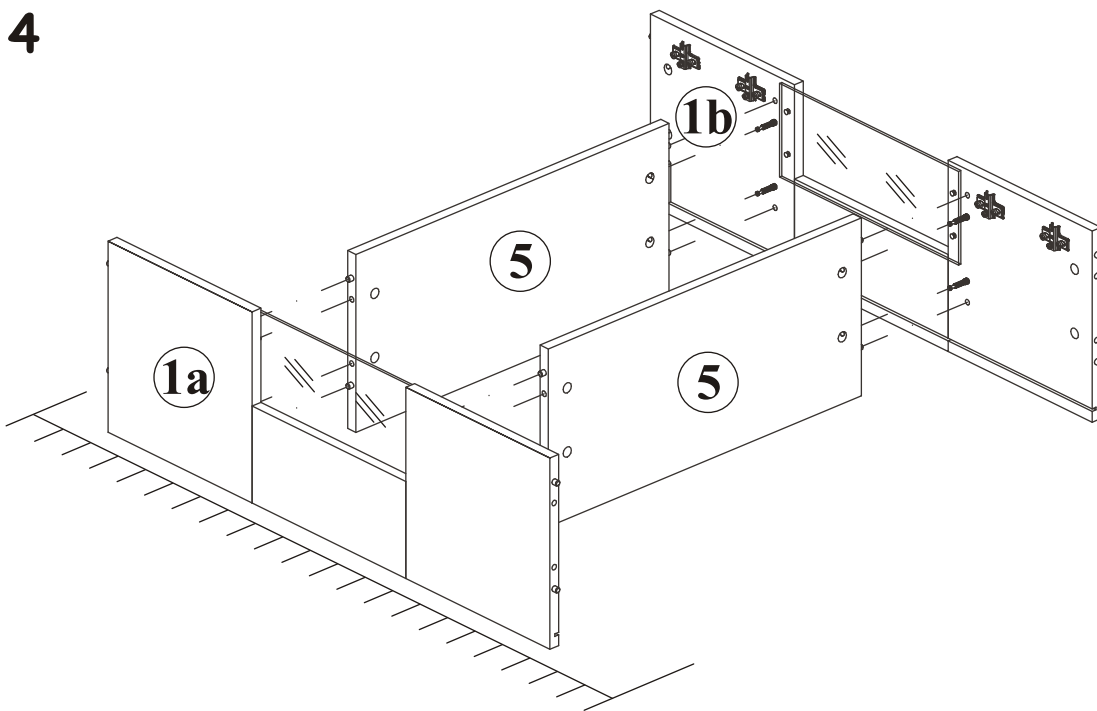
3



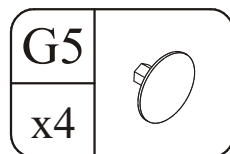
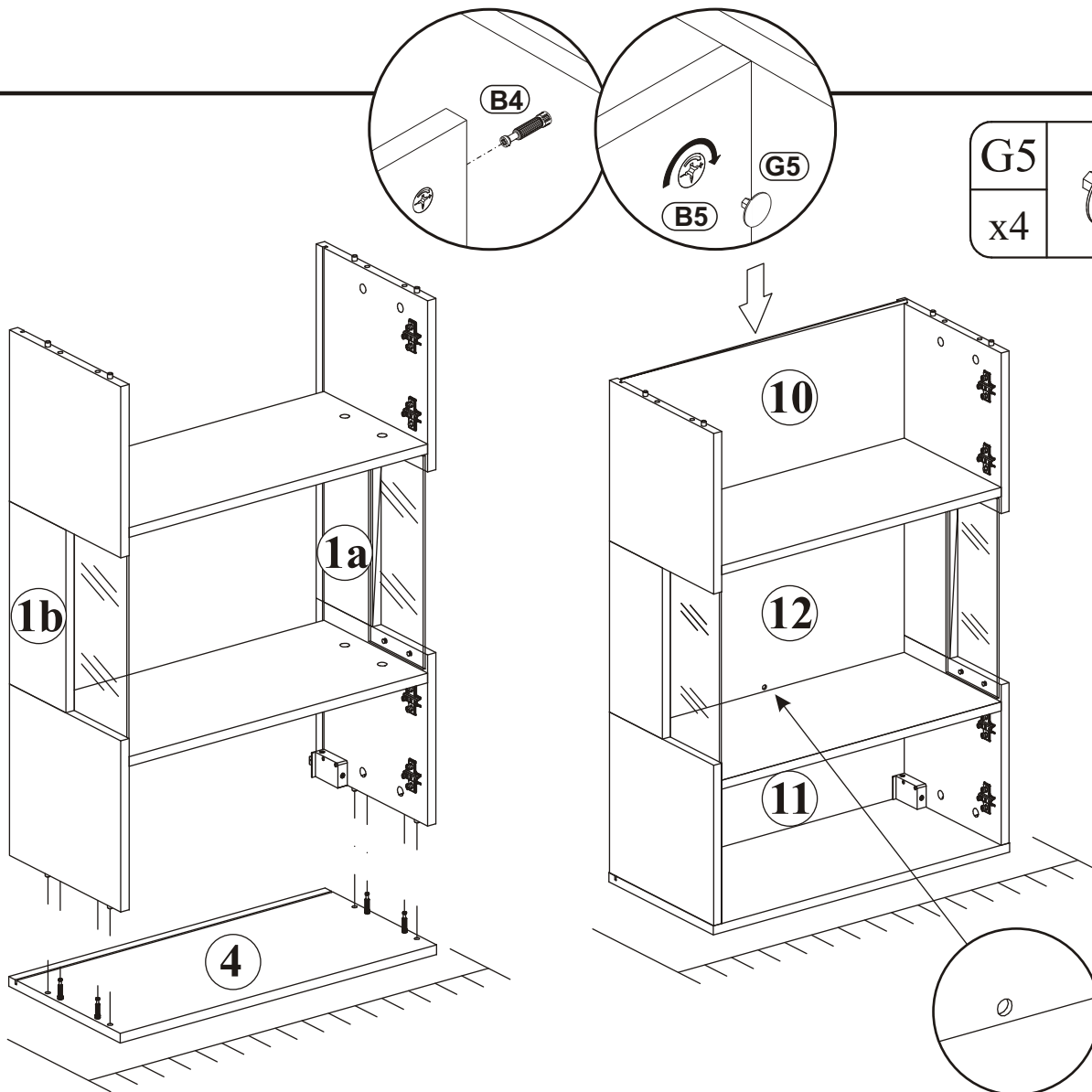
P2		UP13	
x12		x12	UPØ3x16
E1		D10	
x8	Ø26 H=0	x16	USØ3,5x13



4

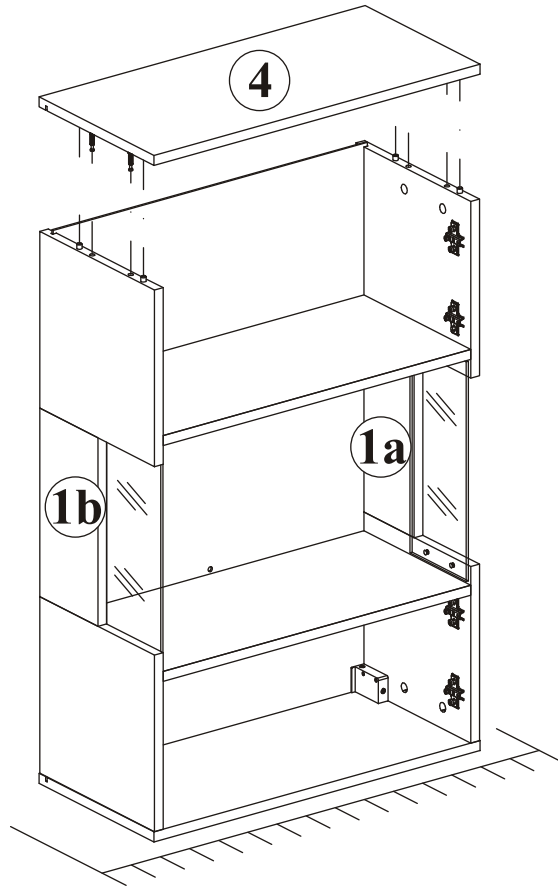


5

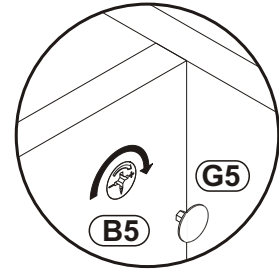
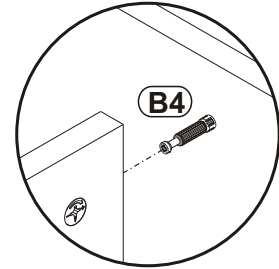


CONCRET 20\_CR TYP 20

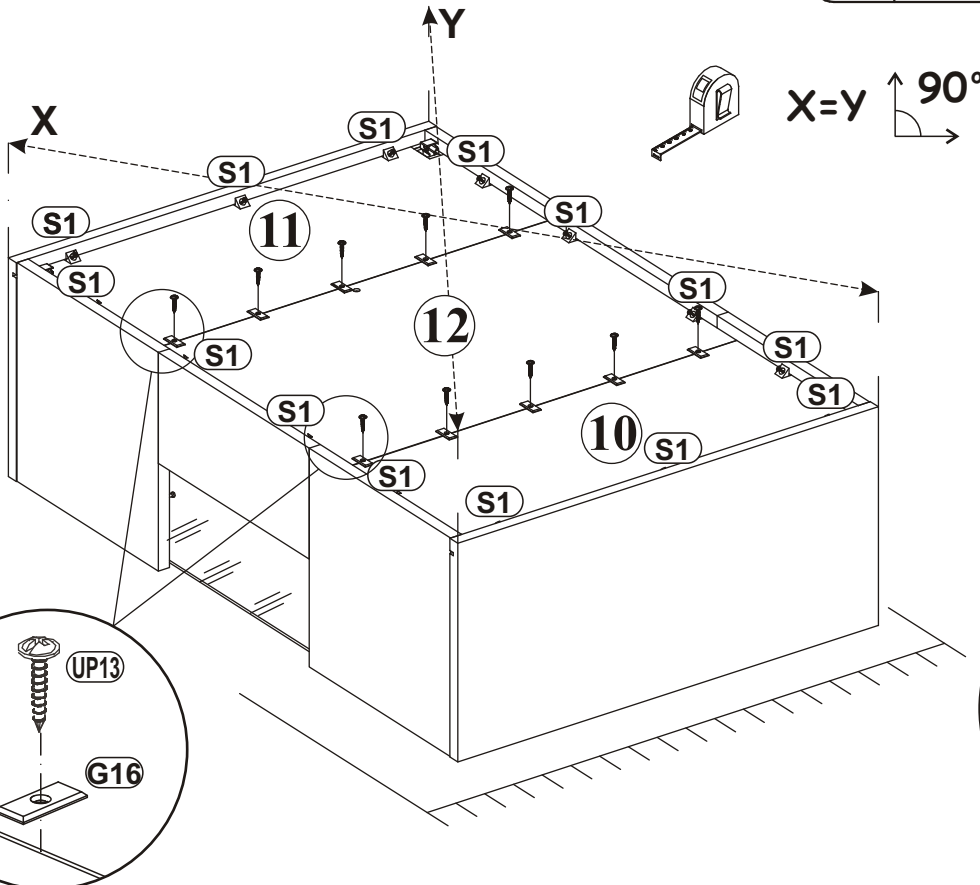
6



G5	
x4	



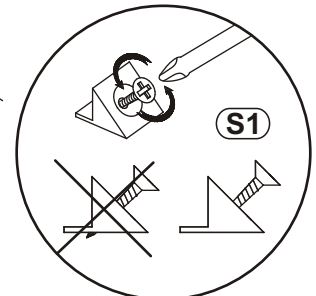
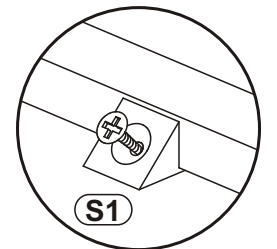
7



S1	
x14	

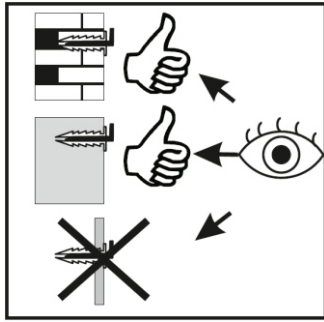
UP13	
x10	UPØ3x16

G16	
x10	

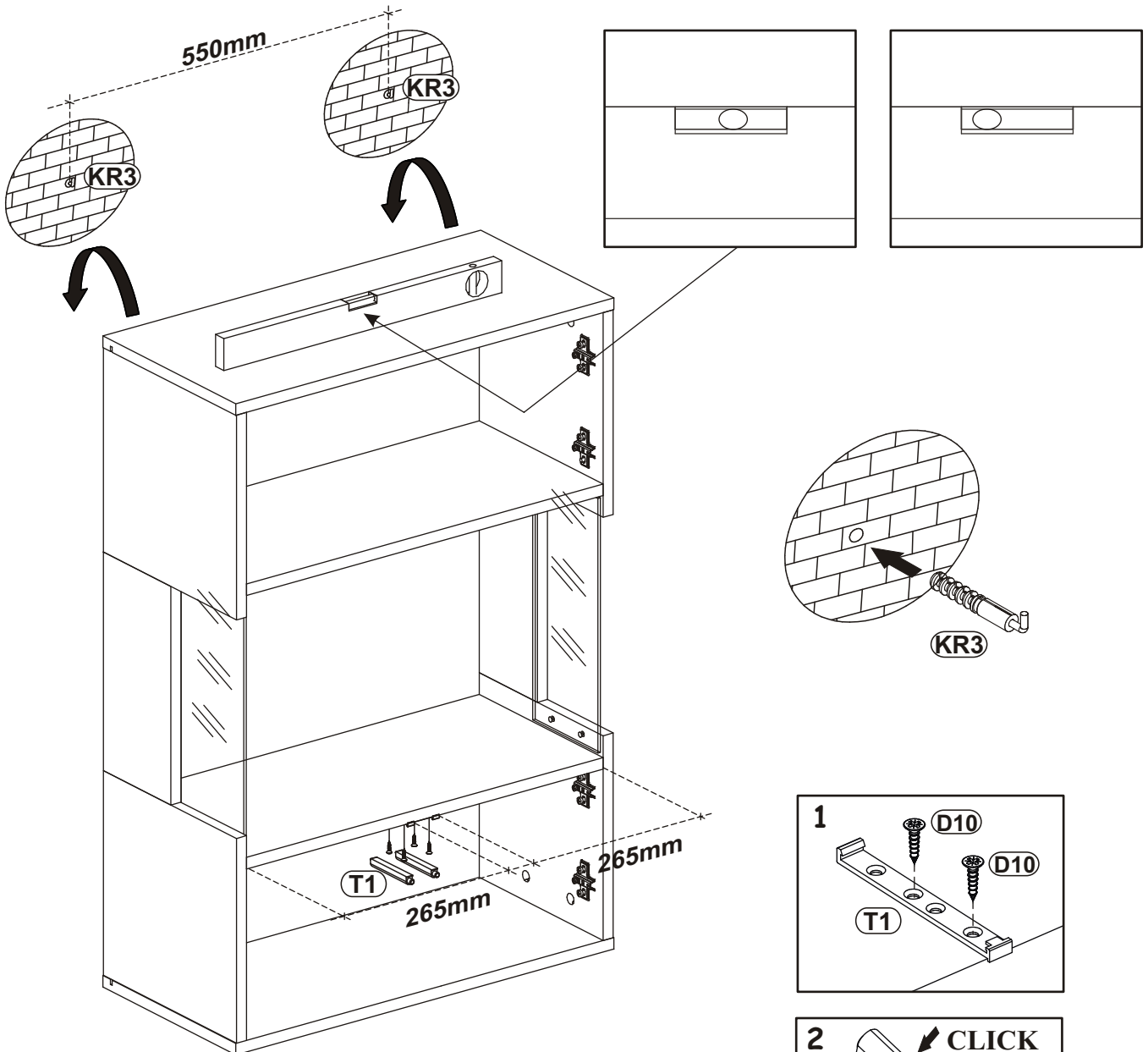
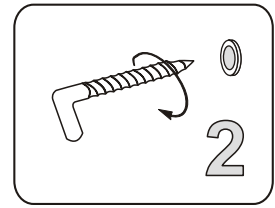
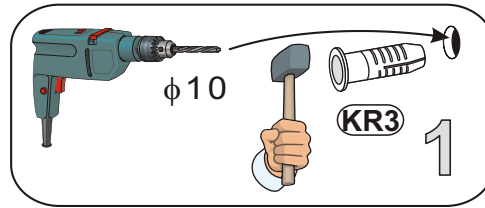


# CONCRET 20\_CR TYP 20

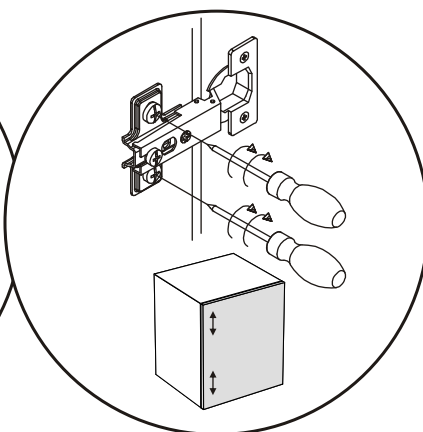
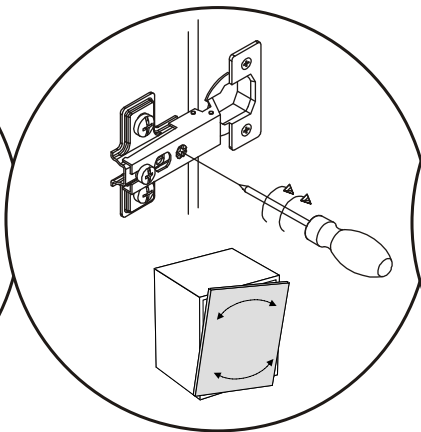
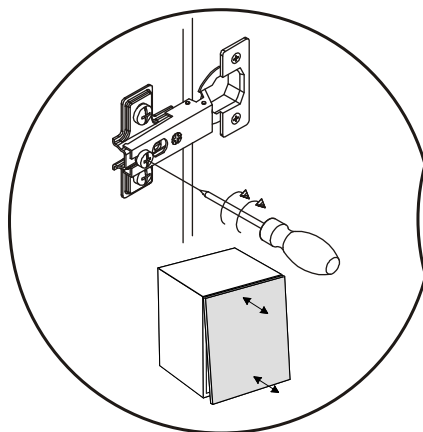
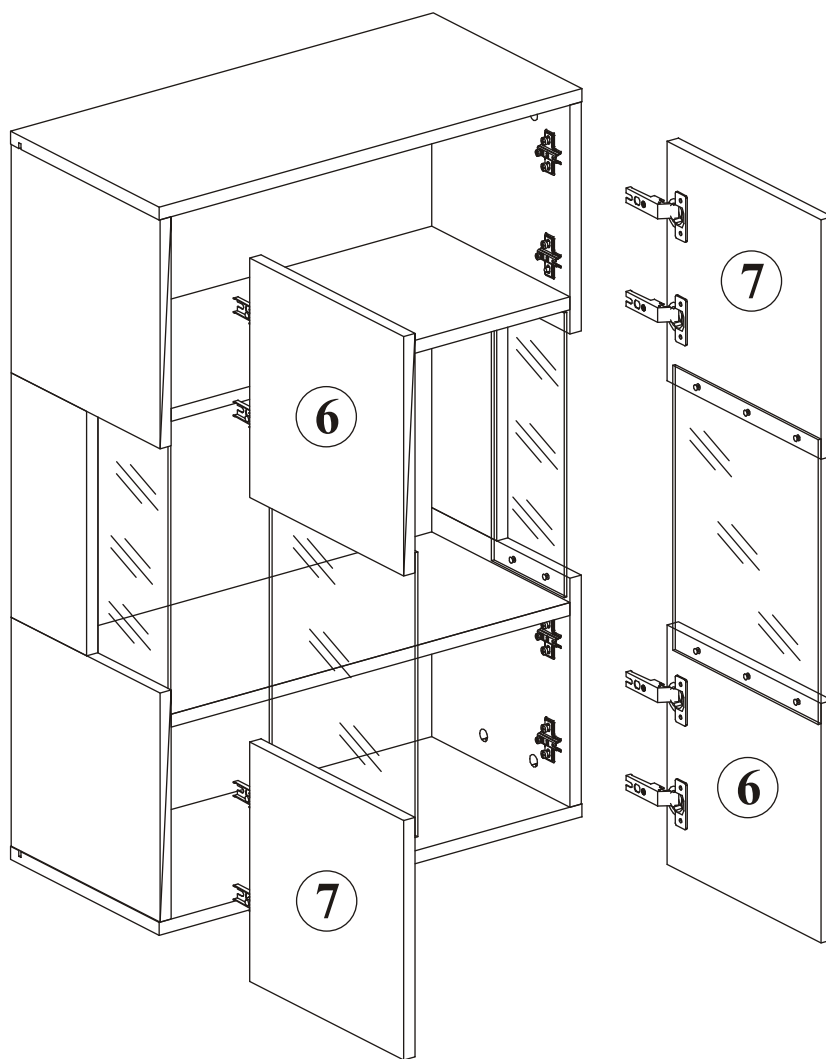
7



T1		D10		KR3	
x2		x4	USØ3,5x13	x2	Ø10

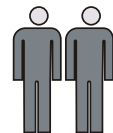
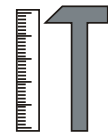
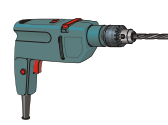
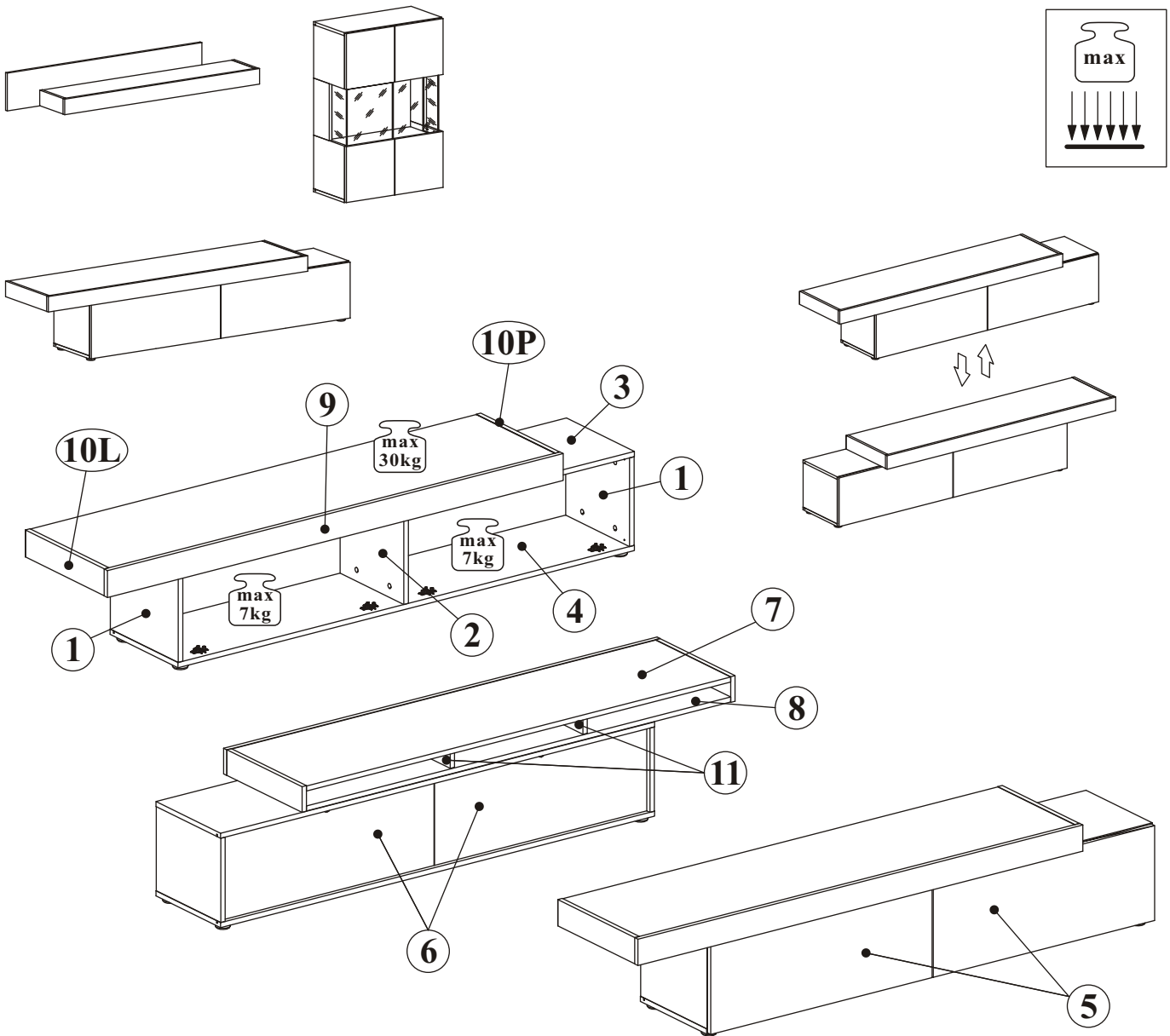


8





# CONCRET 20\_CR TYP 30

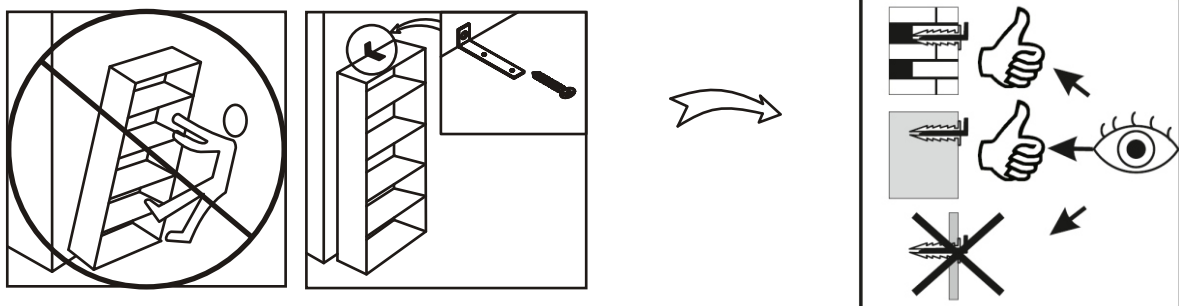
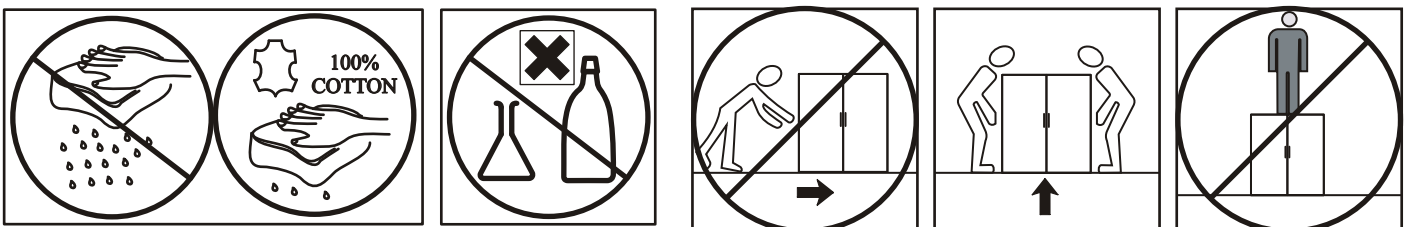
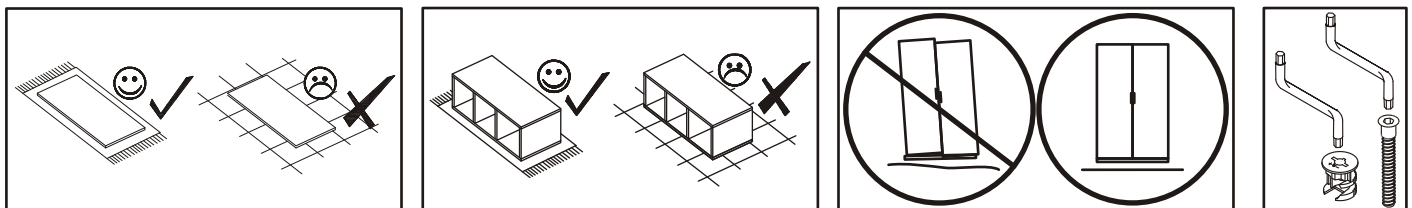
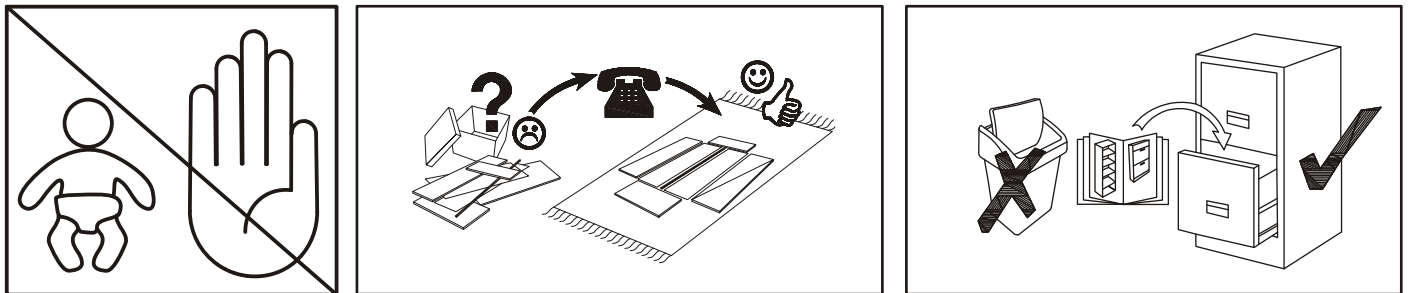
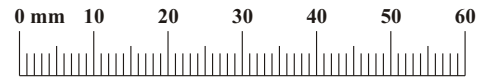


90 min

NO	Dim.			Col.-No	Qty
1	270	330	16	2	2
2	270	310	16	2	1
5	796	296	16	2	2
6	789	282	3	2	2
3	1602	330	16	1	1
4	1602	330	16	1	1
7	1566	384	16	1	1
8	1566	384	16	1	1
9	1600	82	16	1	1
10L	384	82	16	1	1
10P	384	82	16	1	1
11	374	48	16	1	2

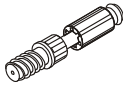
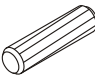
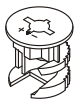
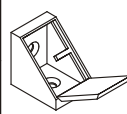

# CONCRET 20\_CR TYP 30

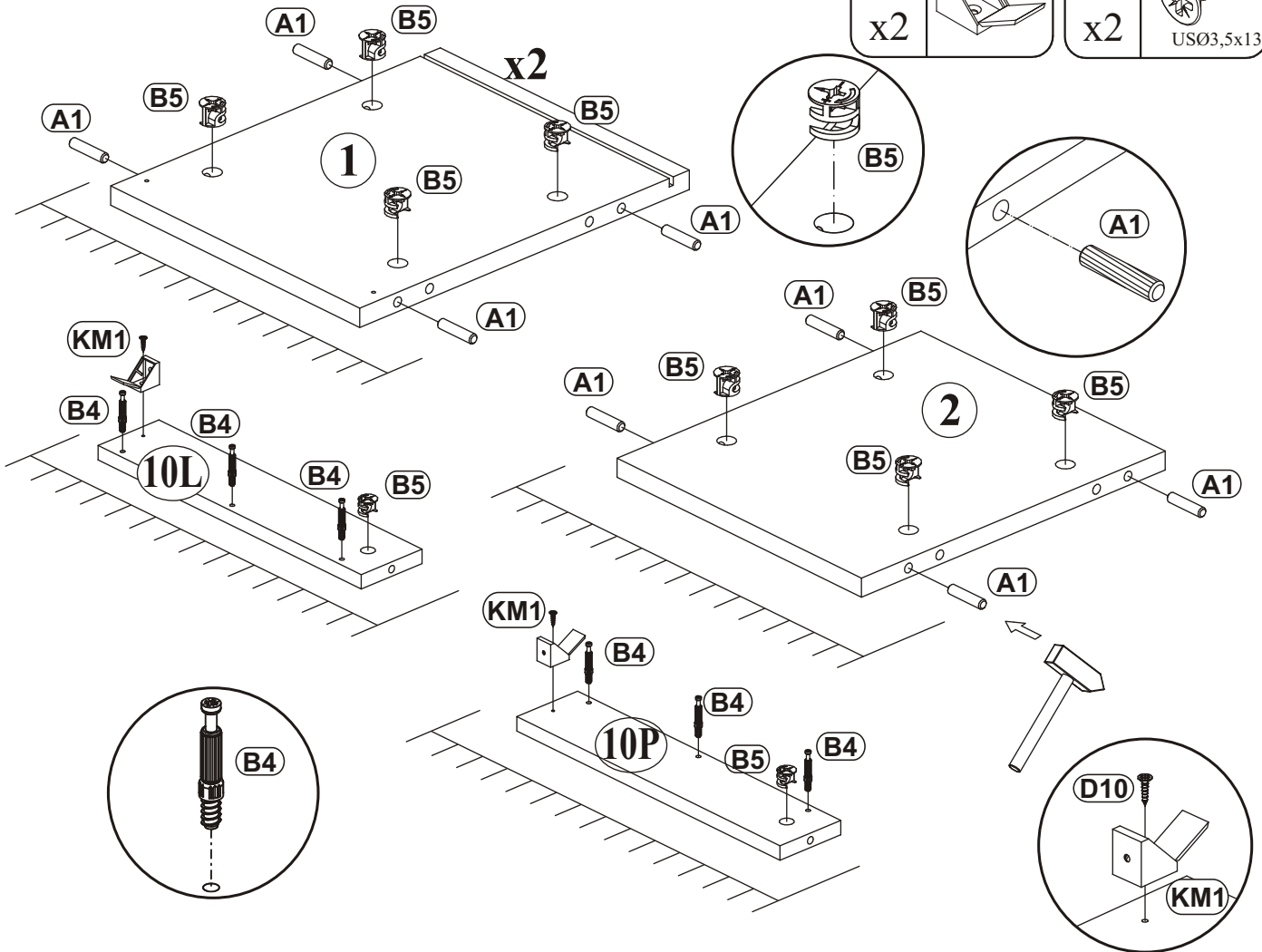
A1 x12 ø8x36	B4 x30	B5 x30 ø15x12	G5 x30	KR1 x2	D10 x18 USØ3,5x13
E1 x4 Ø26 H=0	E2 x4 H=0	G16 x2	UP13 x2 UPØ3x16	T1 x2	G2 x1
I11 x5 Ø45, h=15	L1 x2	S1 x12	UP6 x8 UPØ4x30	B11 x4 Ø7x50	KM1 x2
UP11 x5 UPØ4x20	BO1 x2				



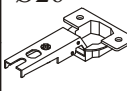

# CONCRET 20\_CR TYP 30

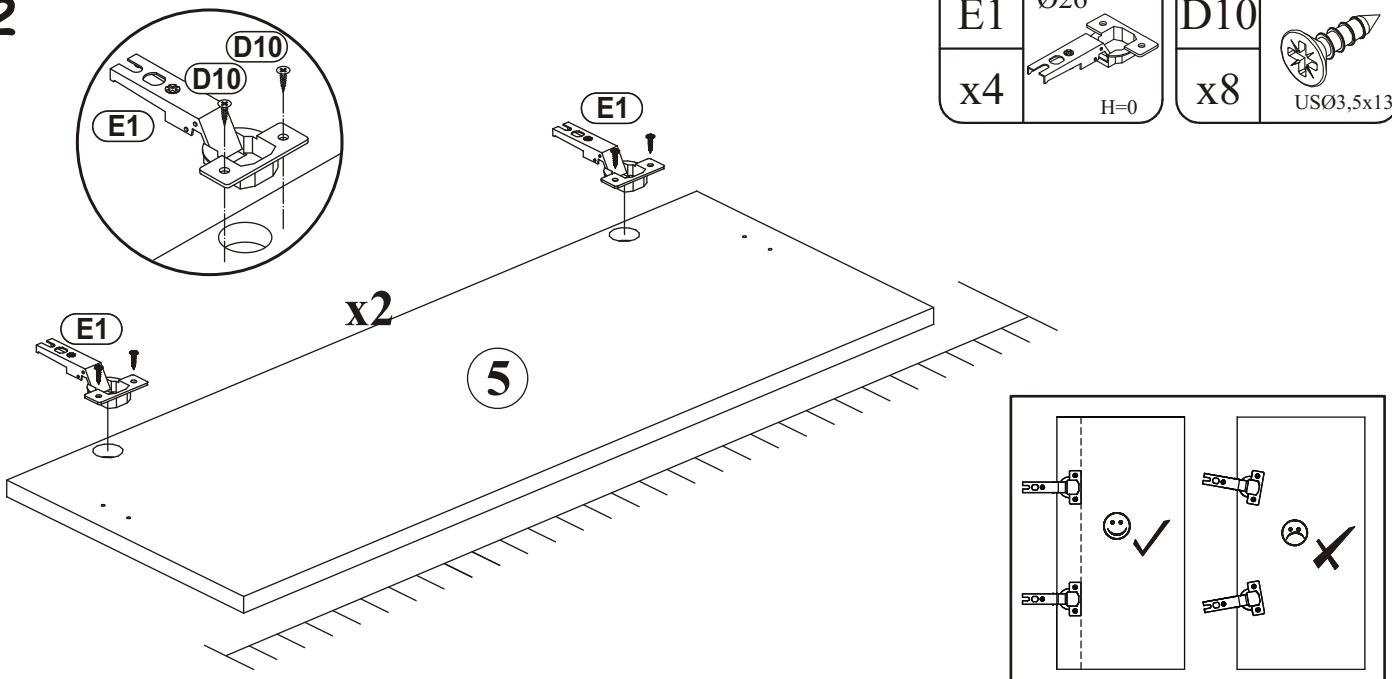
1

B4 x6		A1 x12	 ø8x36	B5 x14	 ø15x12
		KM1 x2		D10 x2	 US03,5x13



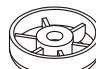
2

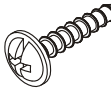
E1 x4	 Ø26 H=0	D10 x8	 US03,5x13
----------	---	-----------	--

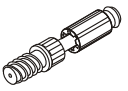


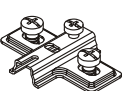
# CONCRET 20\_CR TYP 30

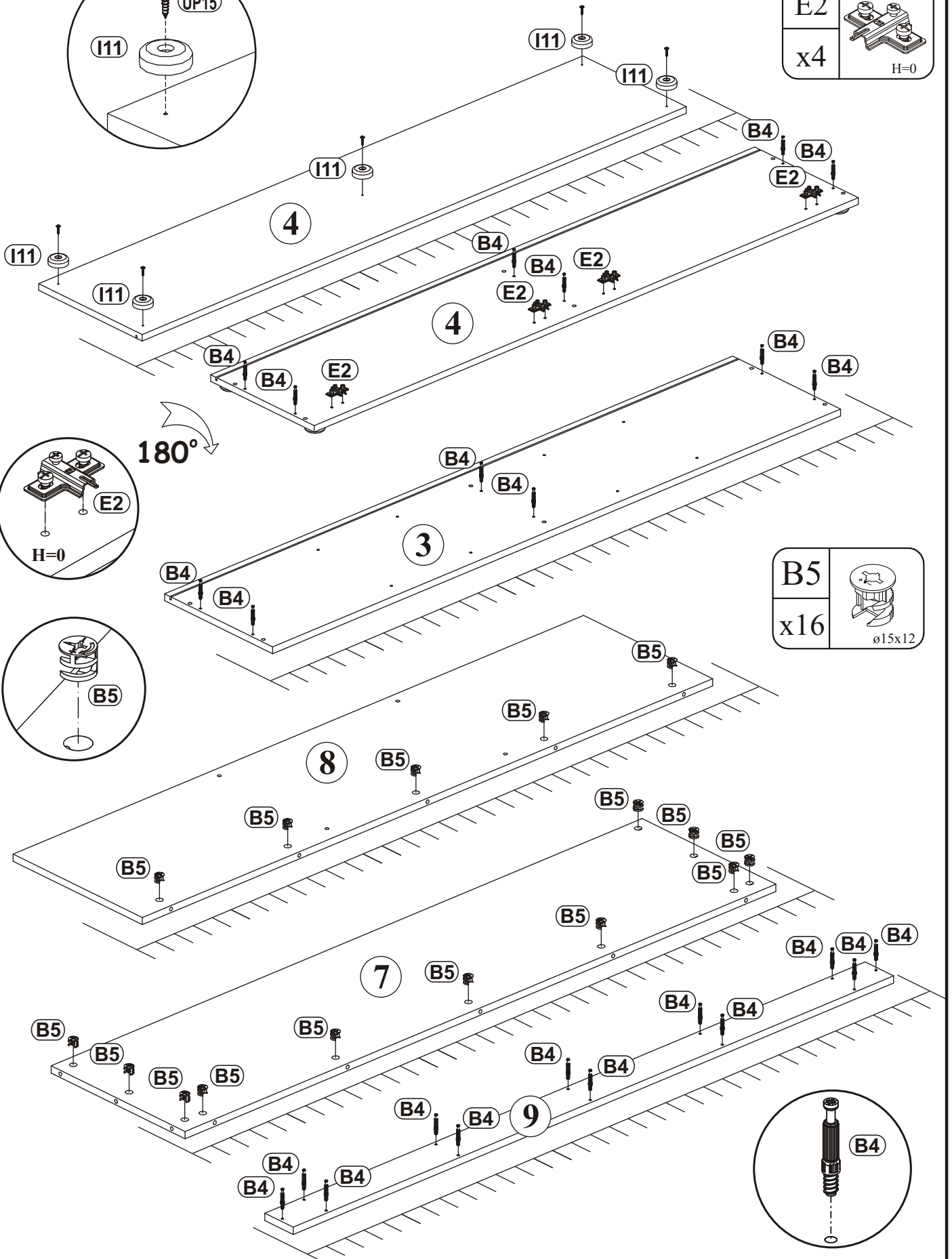
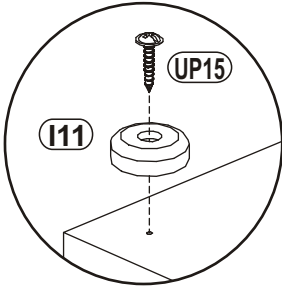
3


I11	
x5	Ø45, h=15

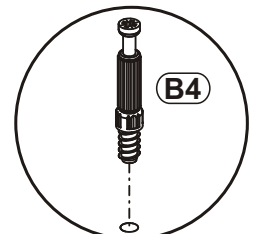
UP11	
x5	UPØ4x20

B4	
x24	

E2	
x4	H=0




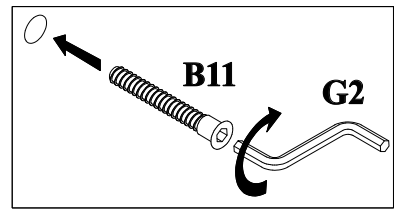
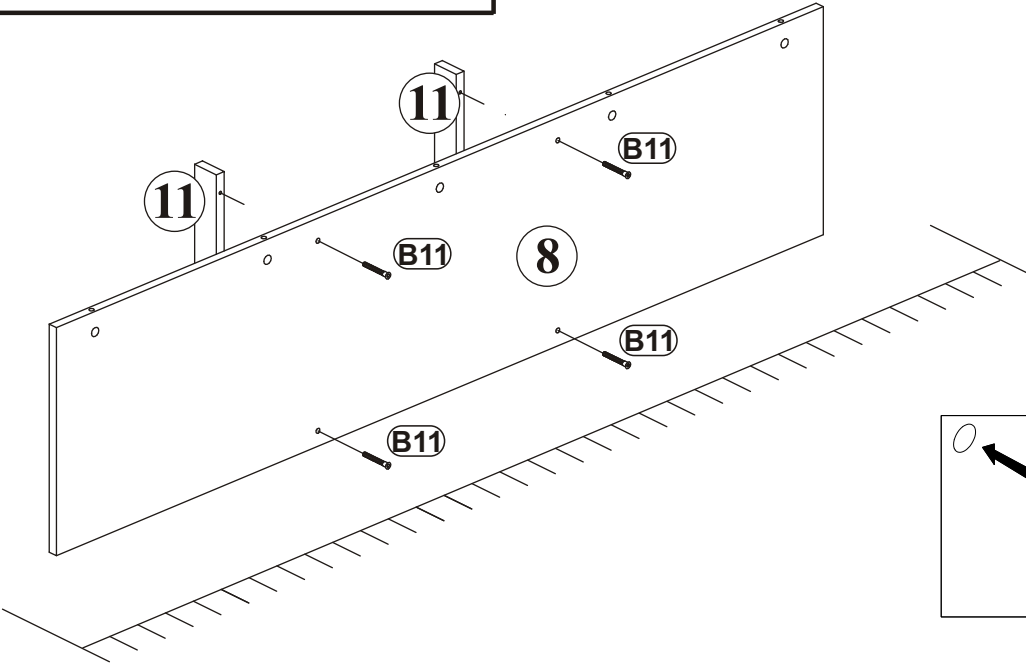
B5	
x16	Ø15x12




# CONCRET 20\_CR TYP 30

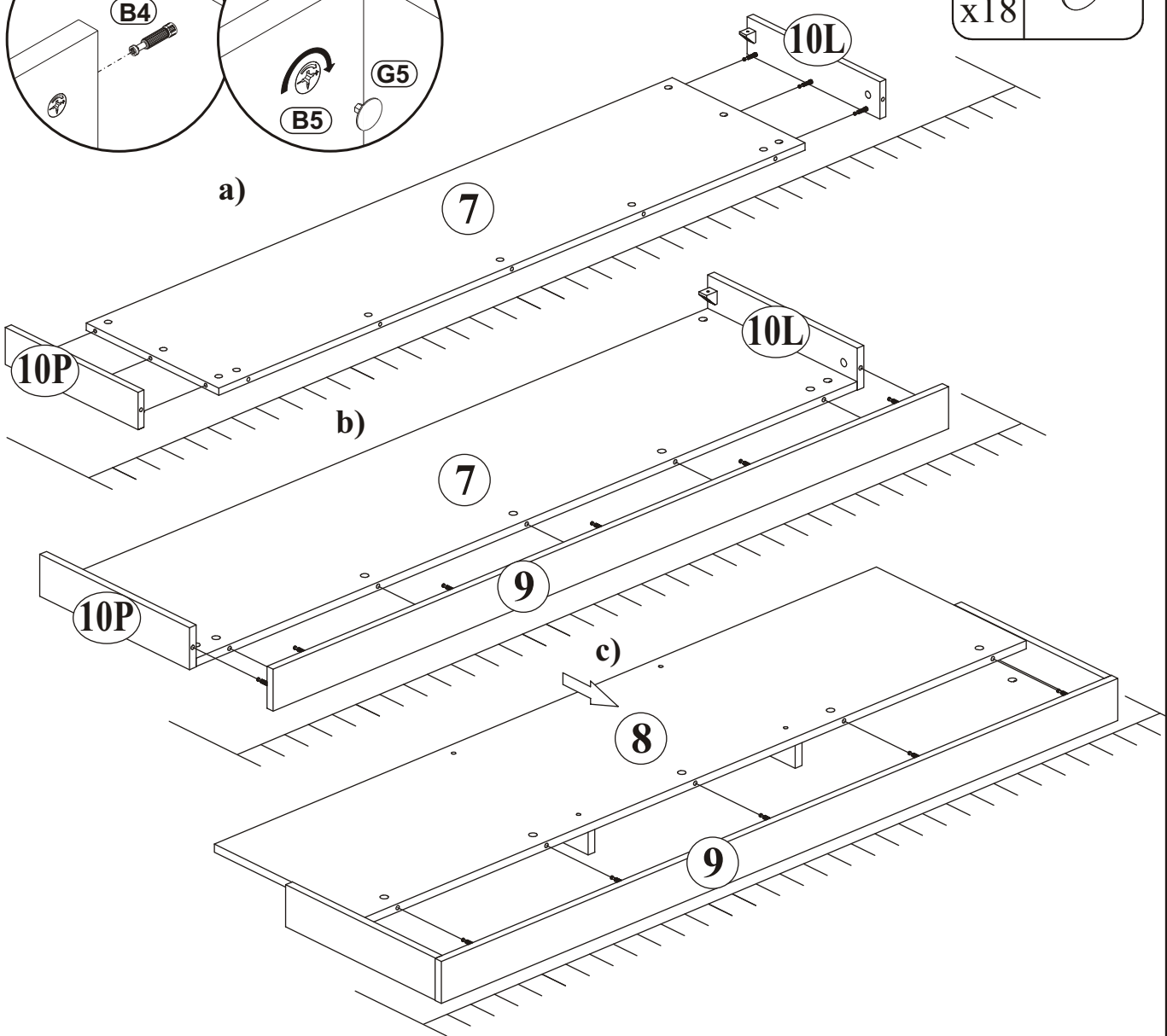
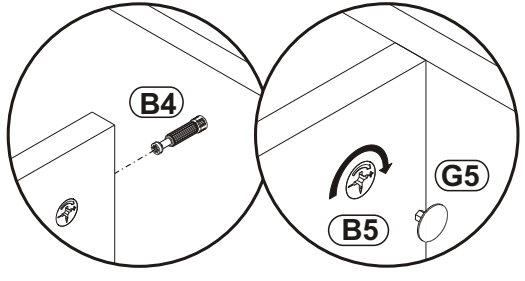
4

B11	
x4	Ø7x50

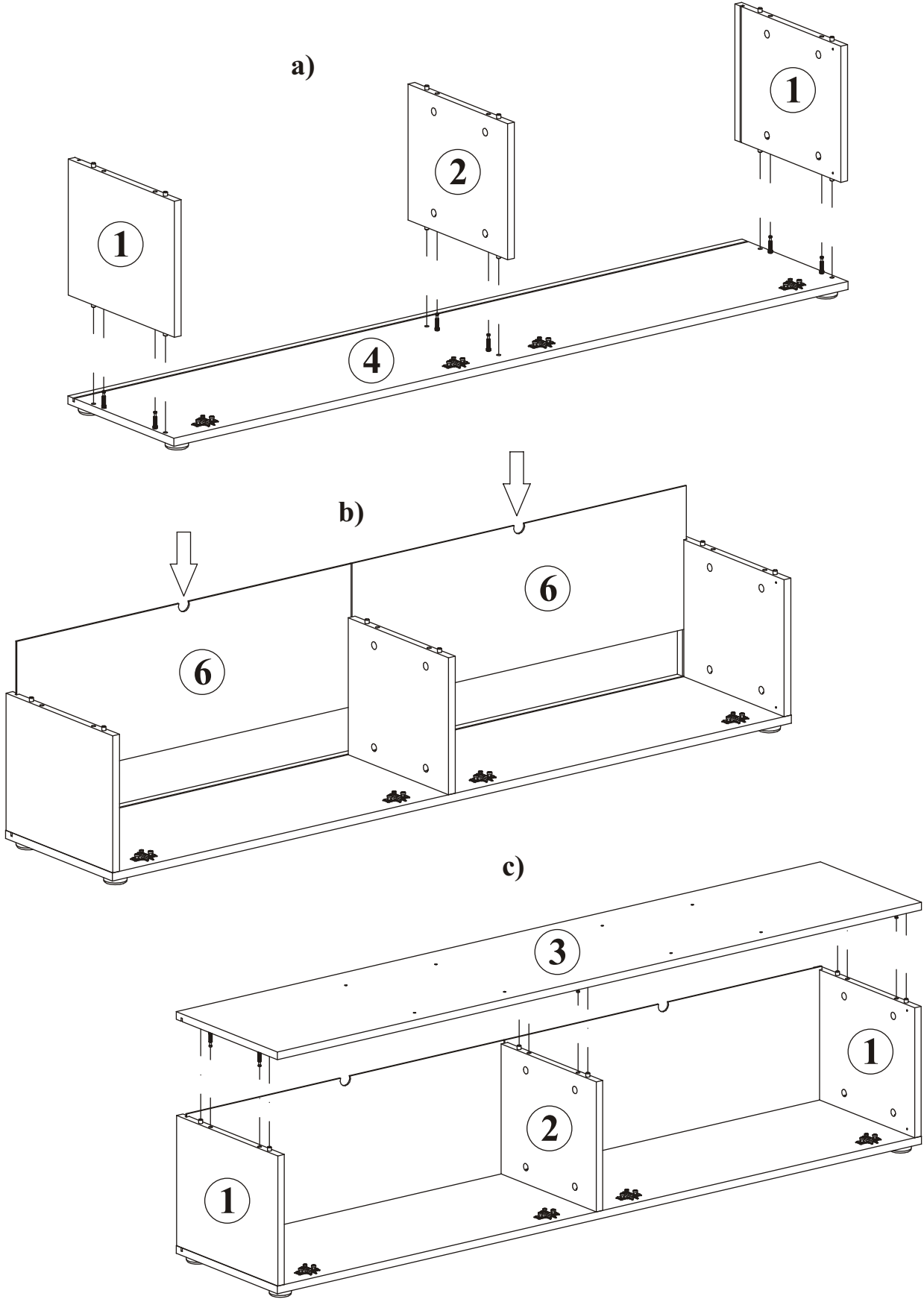
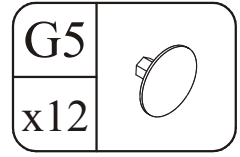
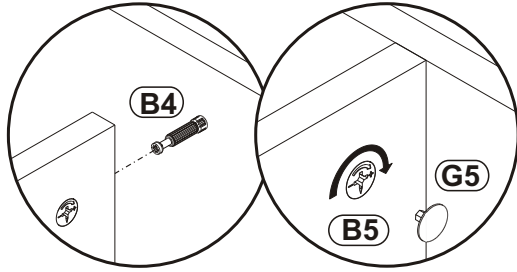


5

G5	
x18	

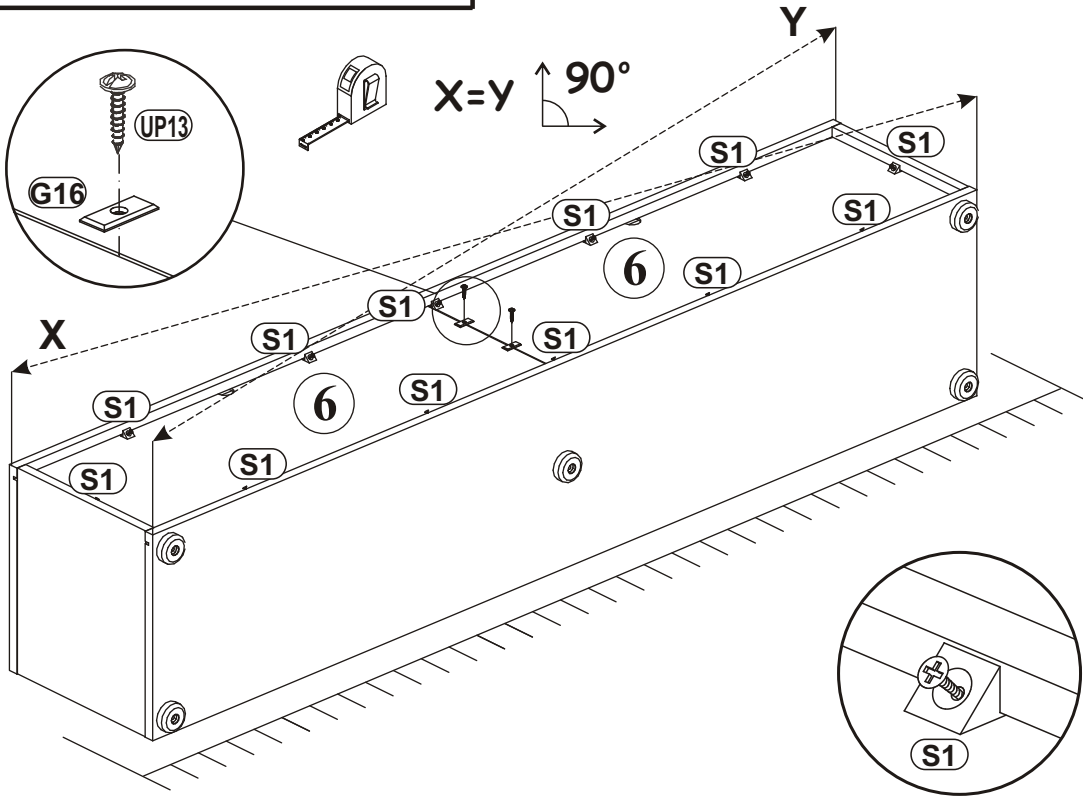


6



# CONCRET 20\_CR TYP 30

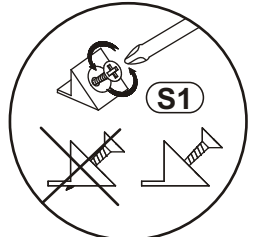
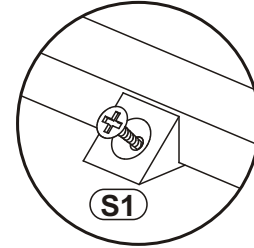
7



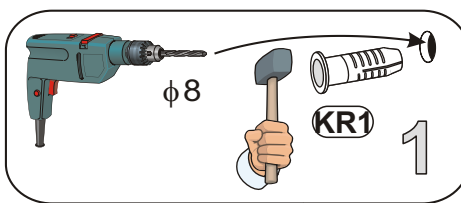
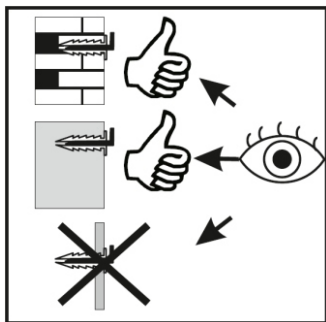
UP13	
x2	UPØ3x16

G16	
x2	

S1	
x12	



8

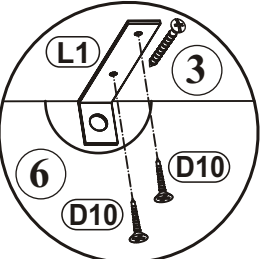
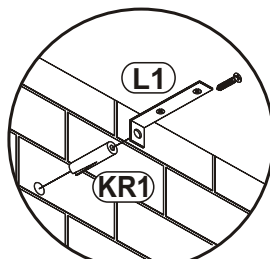
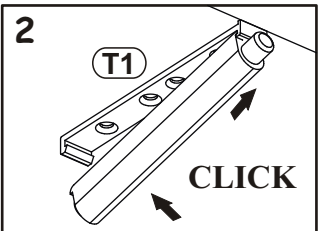
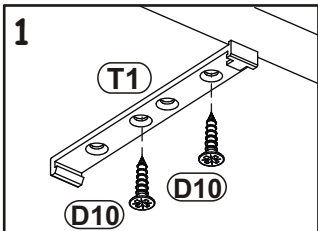
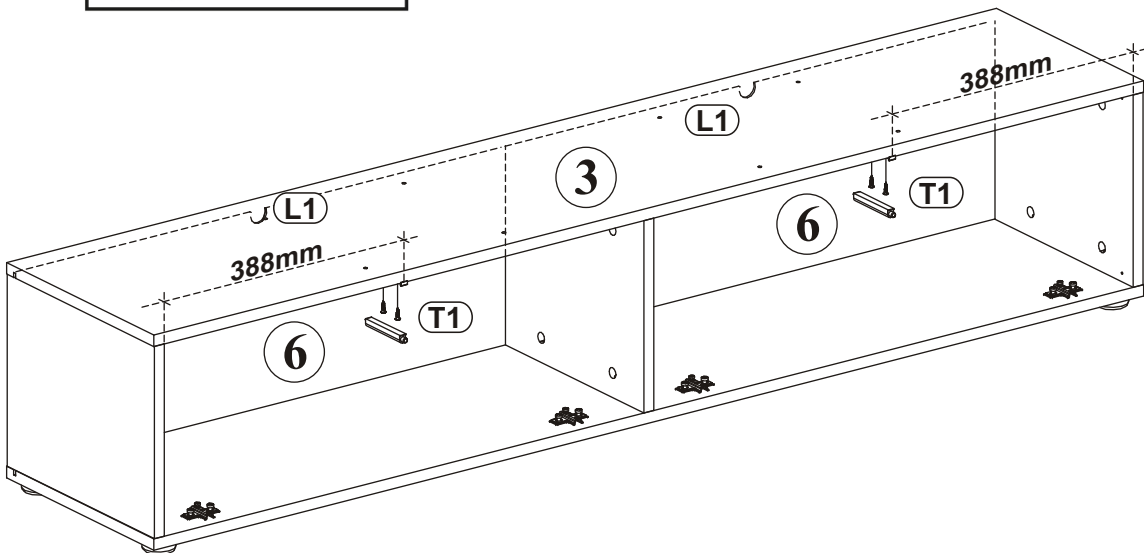


KR1	
x2	

D10	
x8	USØ3,5x13

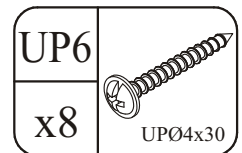
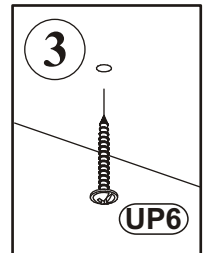
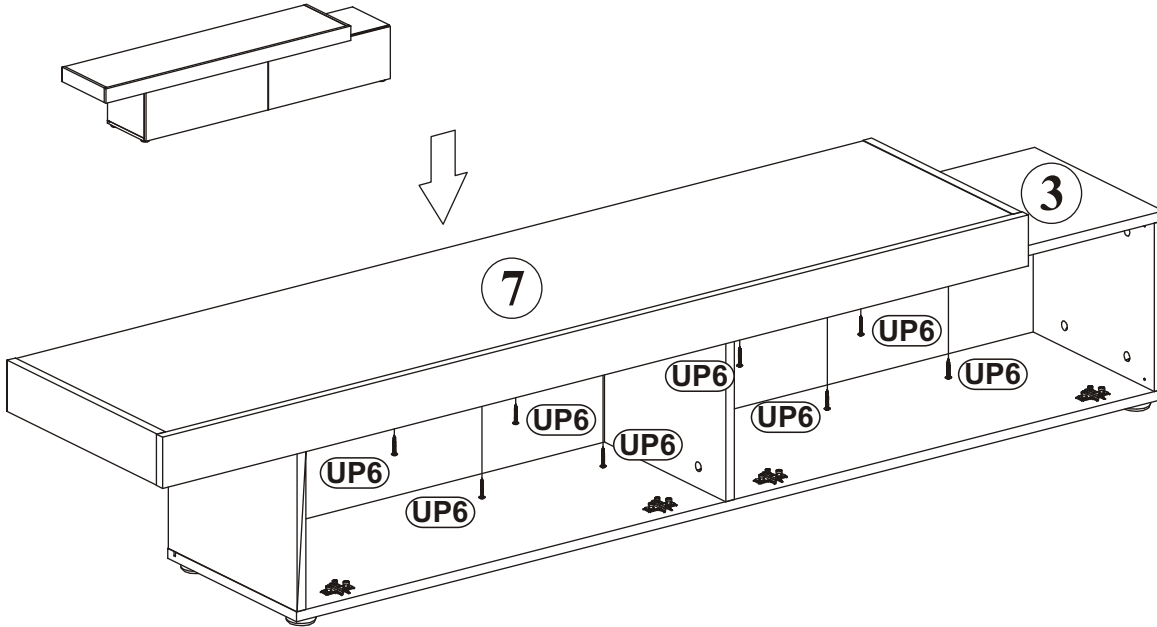
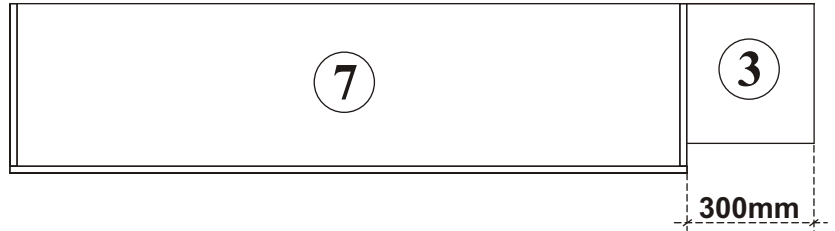
L1	
x2	

T1	
x2	

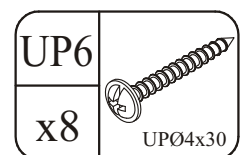
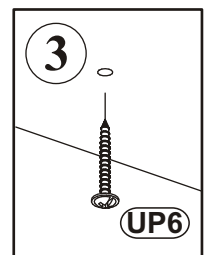
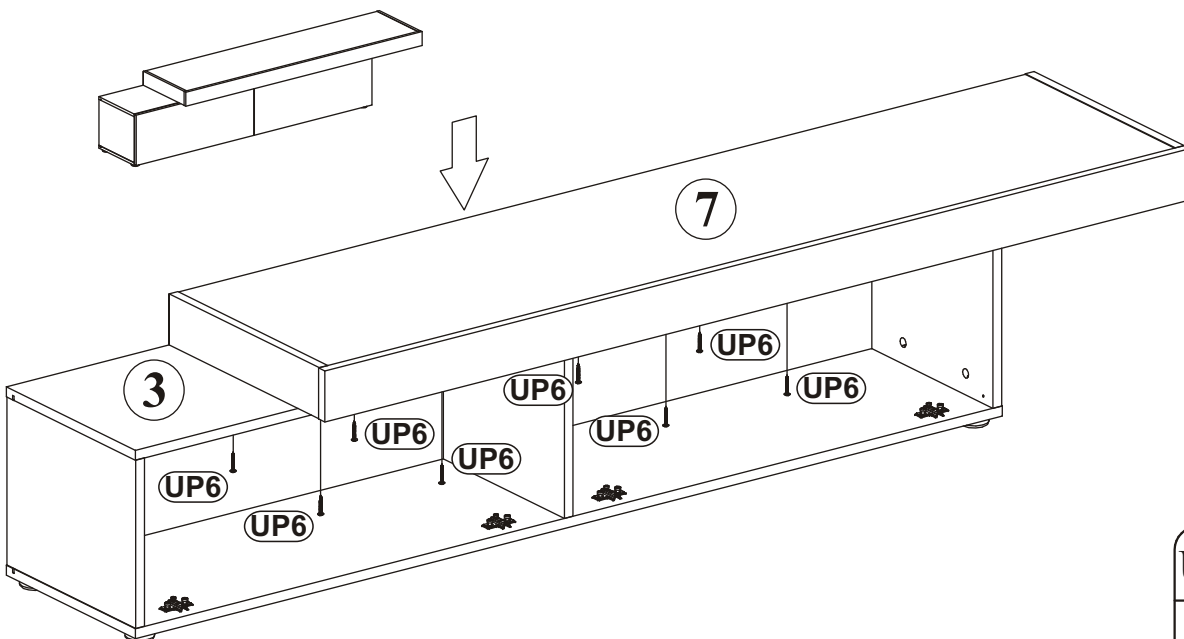
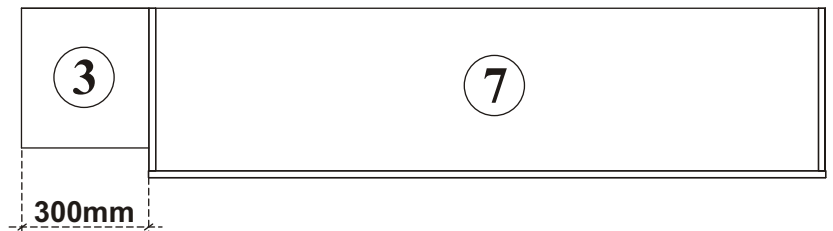


CONCRET 20\_CR TYP 30

9

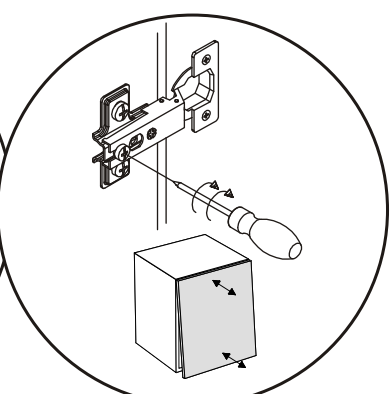
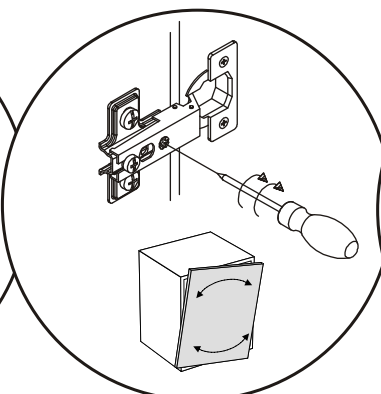
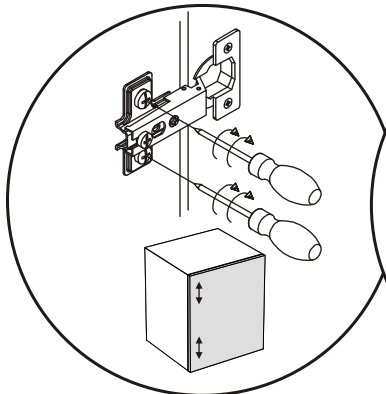
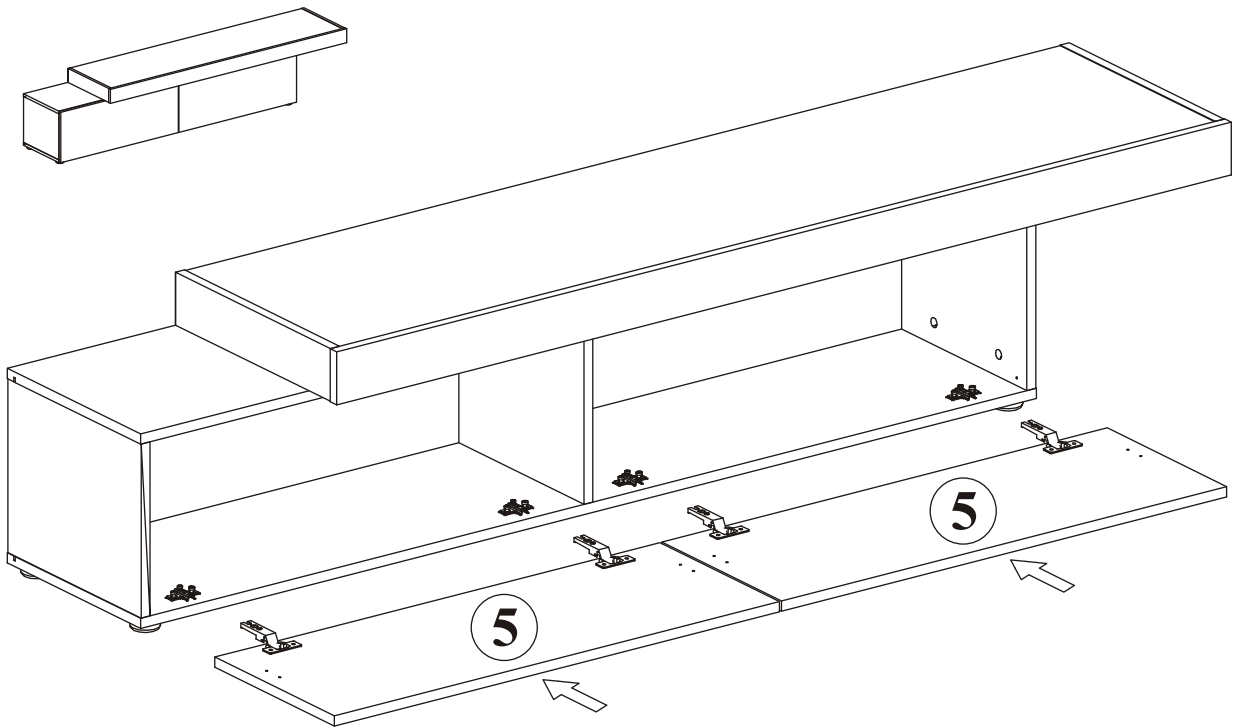
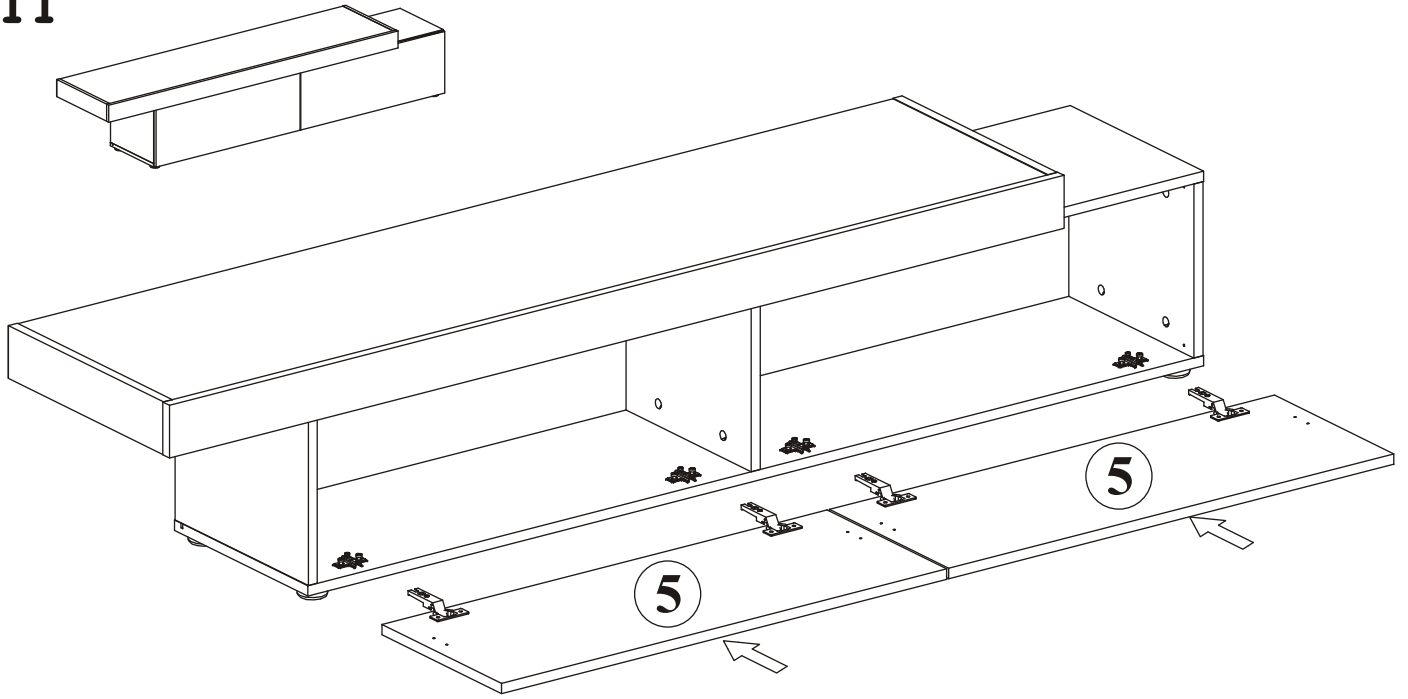


10

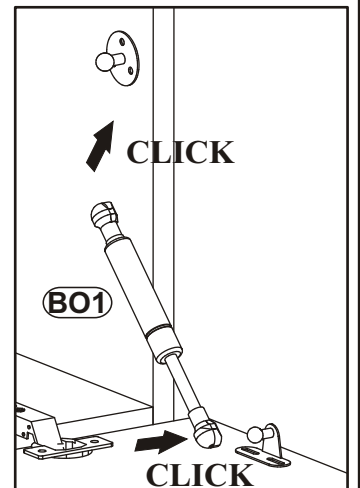
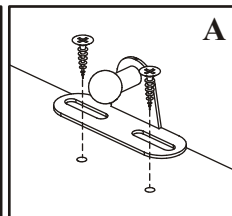
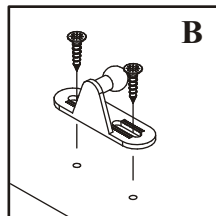
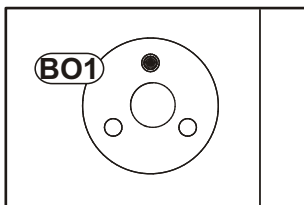
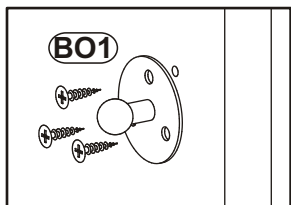
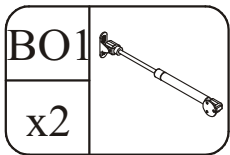
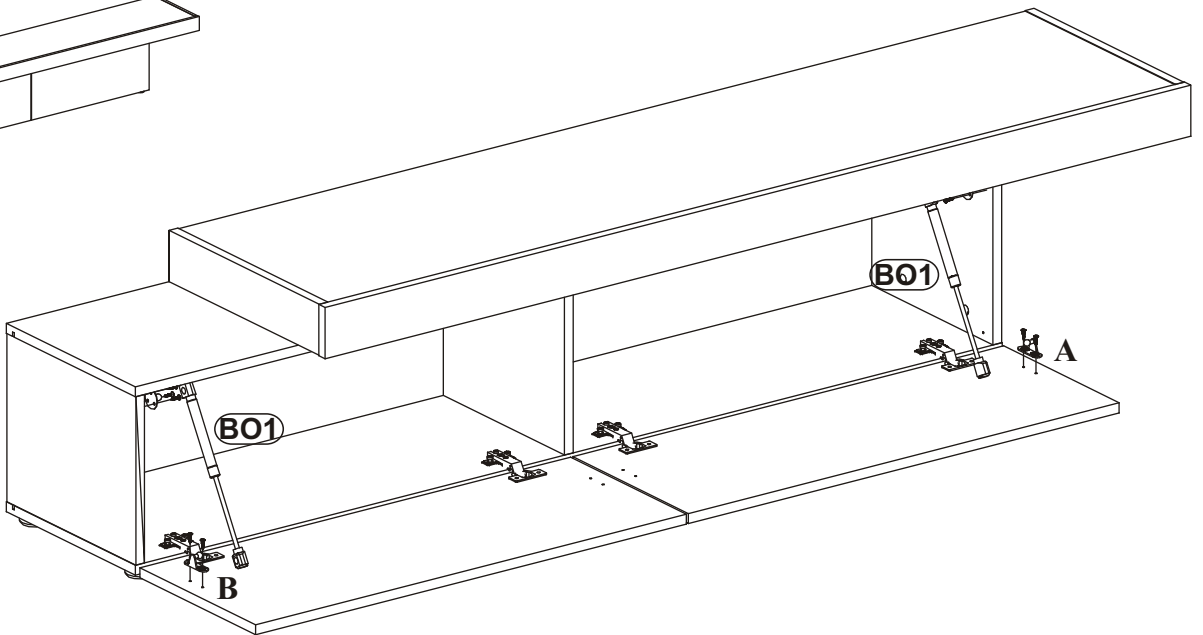
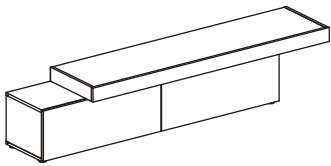
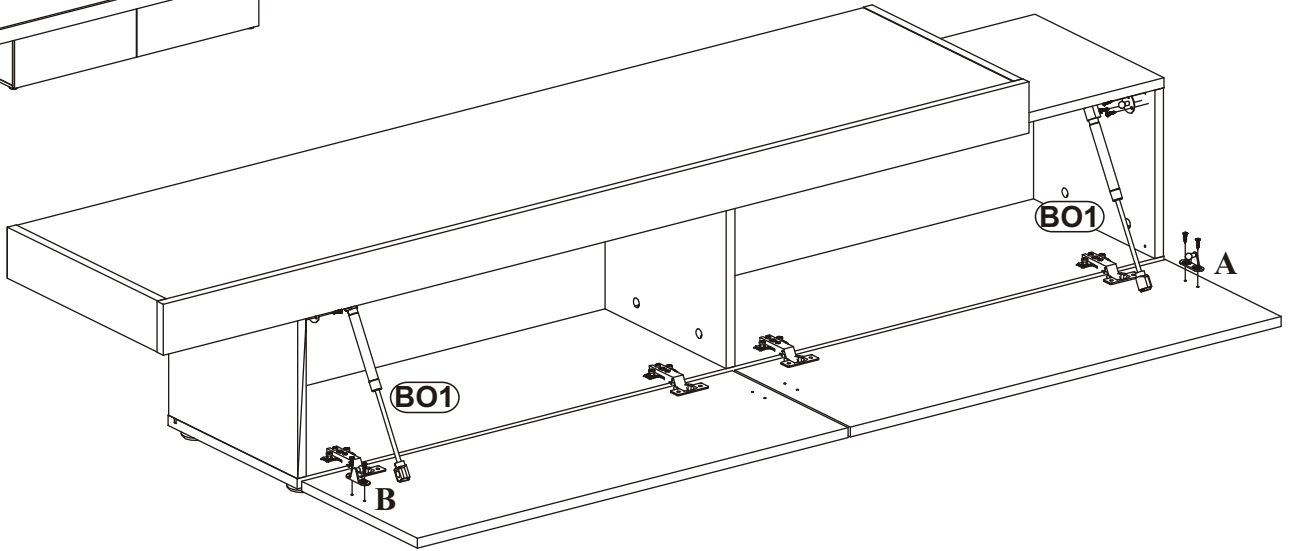
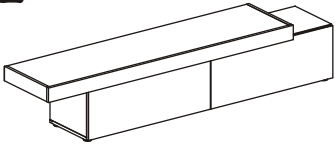




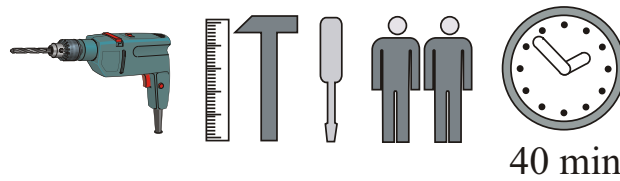
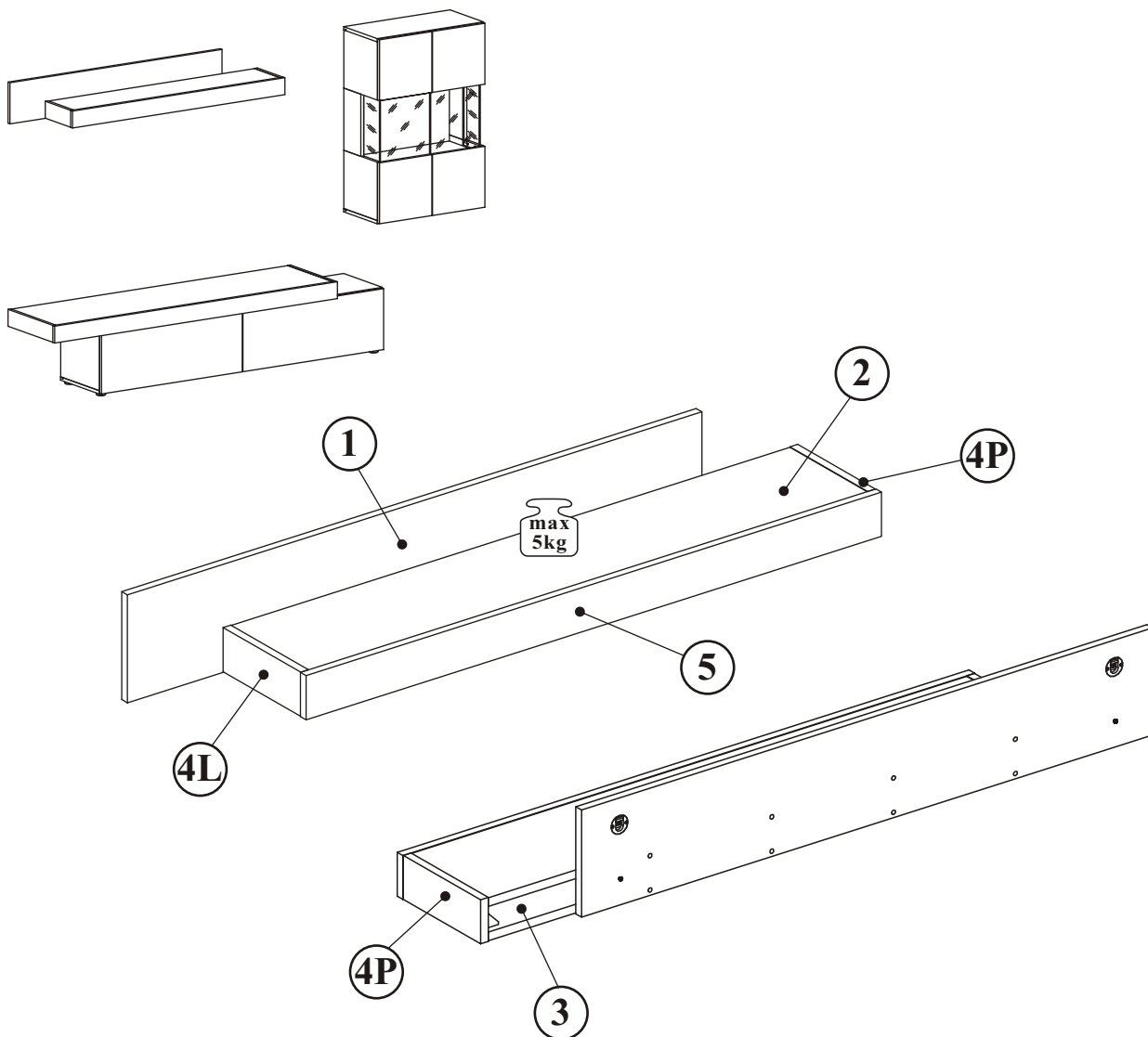
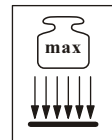
11



12



# CONCRET 20\_CR TYP 70

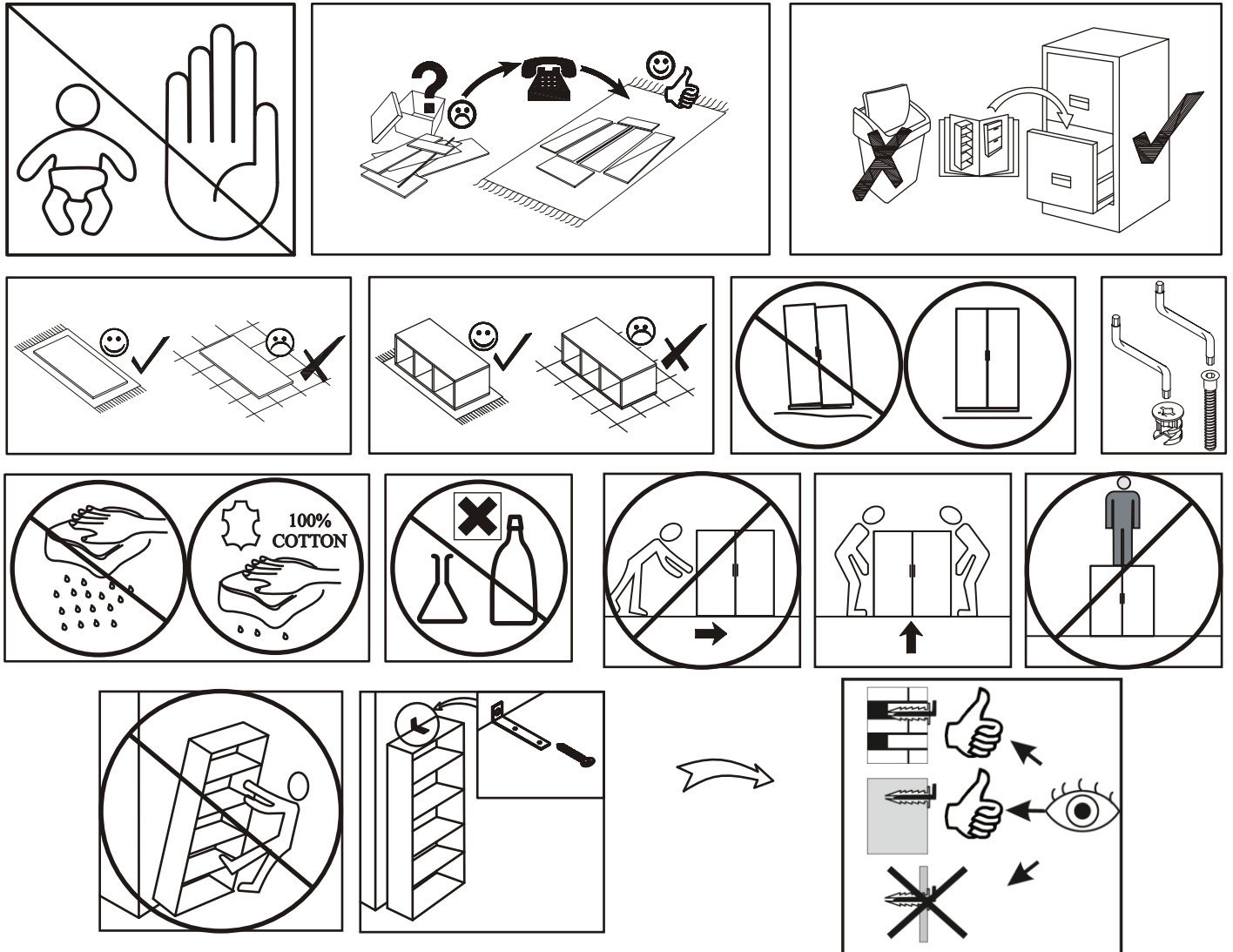
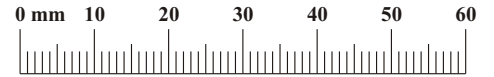


40 min

NO	Dim.			Col-No	Qty
1	1200	200	16	1	1
2	1168	218	16	1	1
3	1168	218	16	1	1
4L	218	82	16	1	1
4P	218	82	16	1	1
5	1202	82	19	1	1

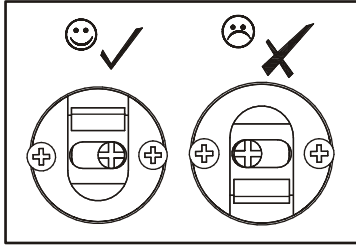
# CONCRET 20\_CR TYP 70

KR3 x2 Ø10	B15 x8 Ø7x60	G4 x8	ZM1 x2	D28 x4 ESØ6x9,5	G2 x1
D10 x3 USØ3,5x13	P3 x2	B4 x11	B5 x11 Ø15x12	G5 x11	A1 x5 Ø8x36
KM1 x1					



# CONCRET 20\_CR TYP 70

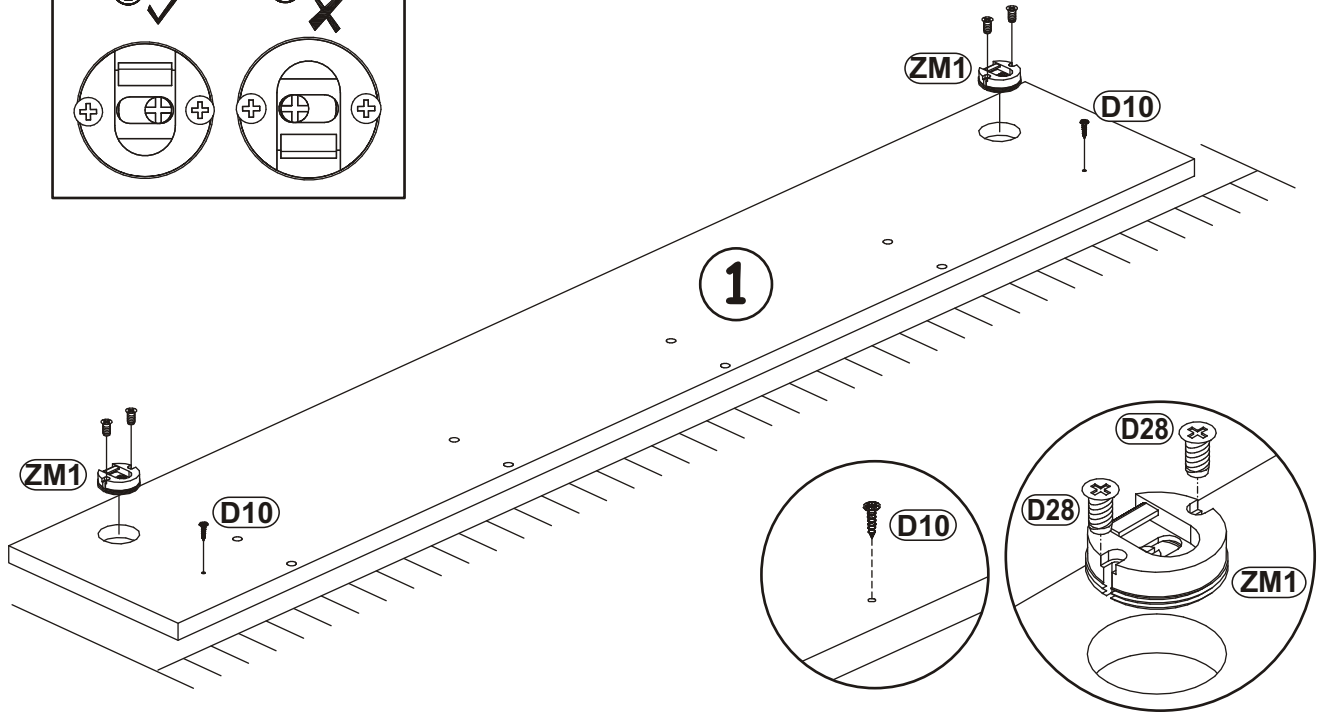
1



D10	
x2	USØ3,5x13

ZM1	
x2	

D28	
x4	ESØ6x9,5



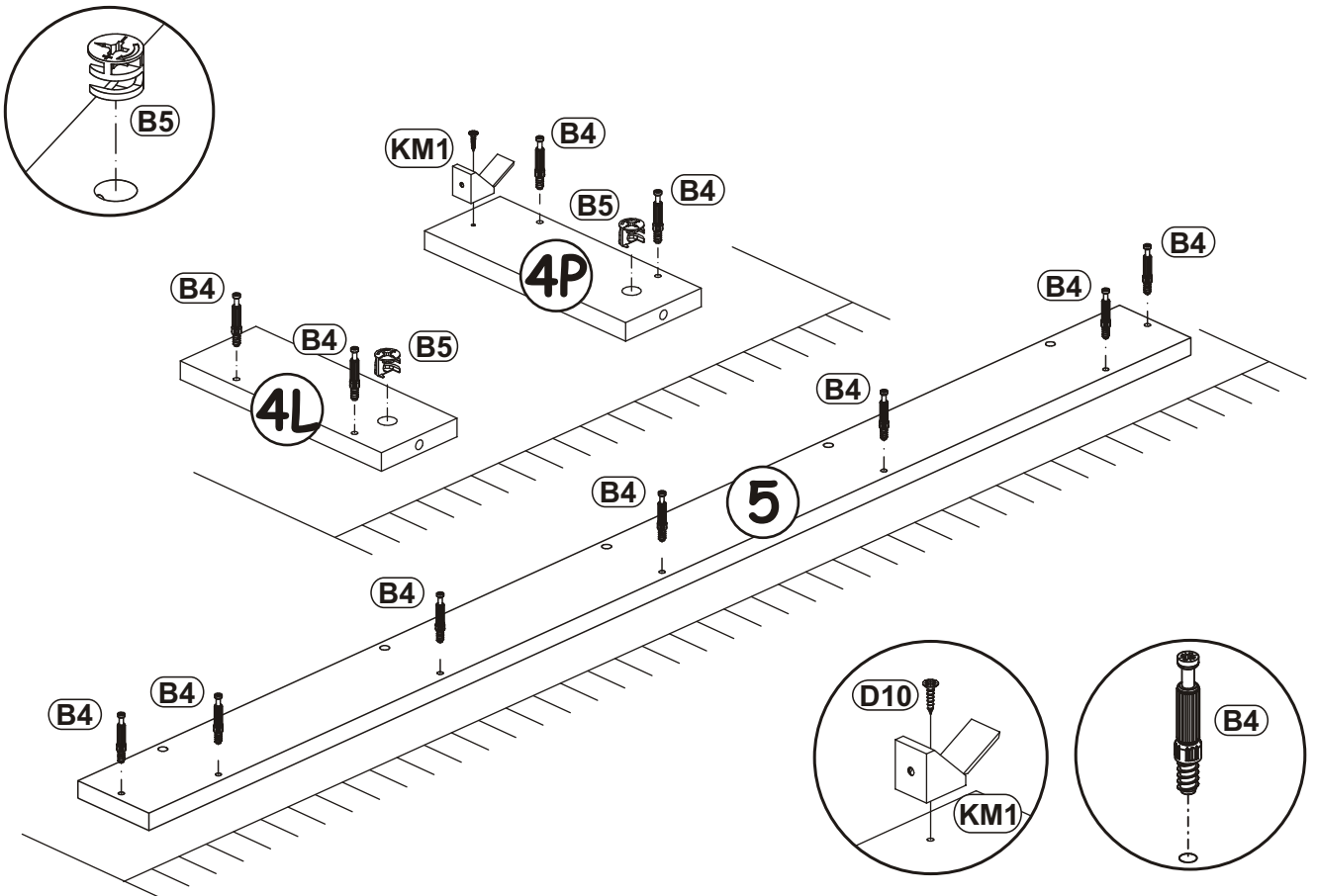
2

B4	
x11	

B5	
x2	ø15x12

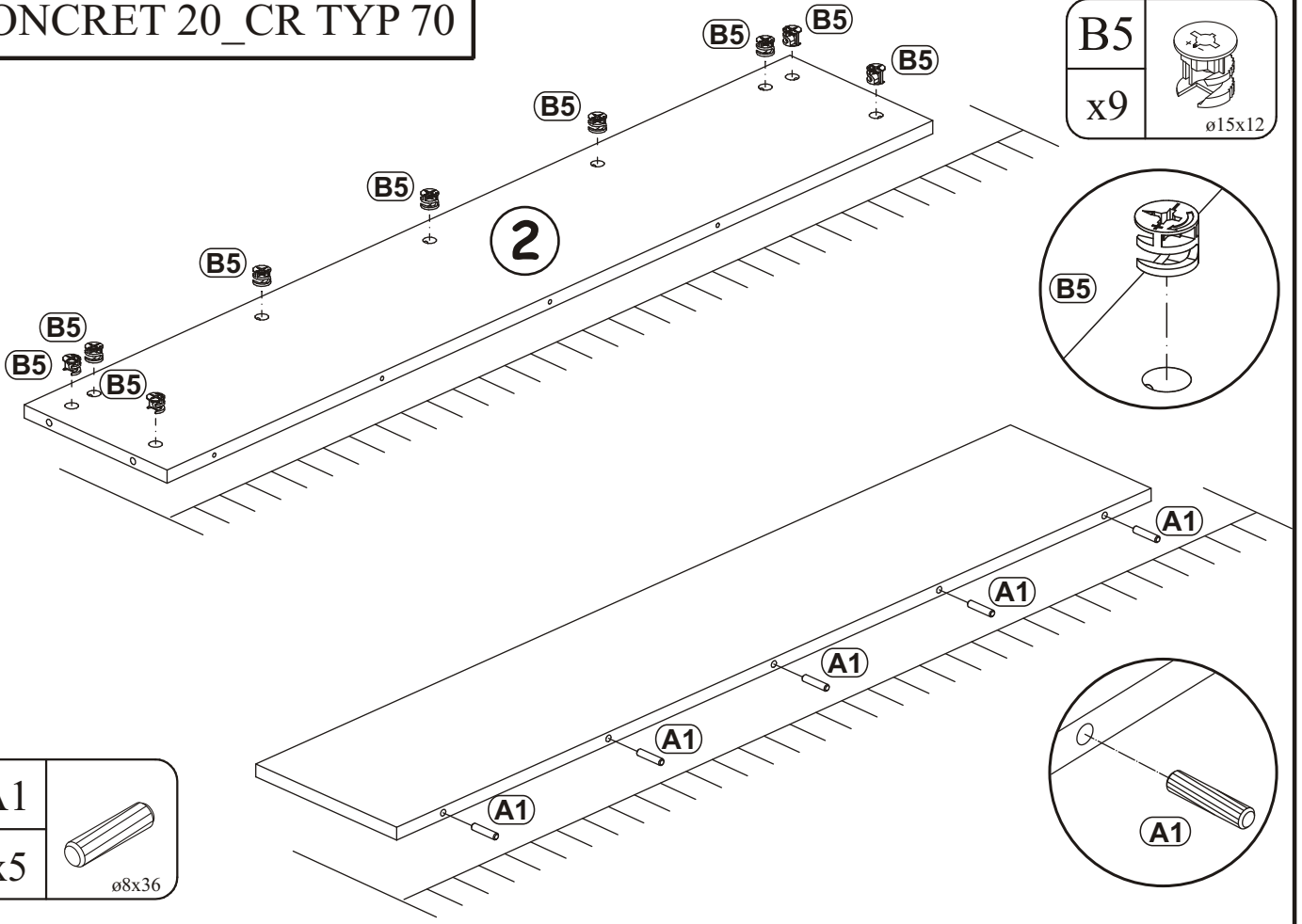
KM1	
x1	

D10	
x1	USØ3,5x13

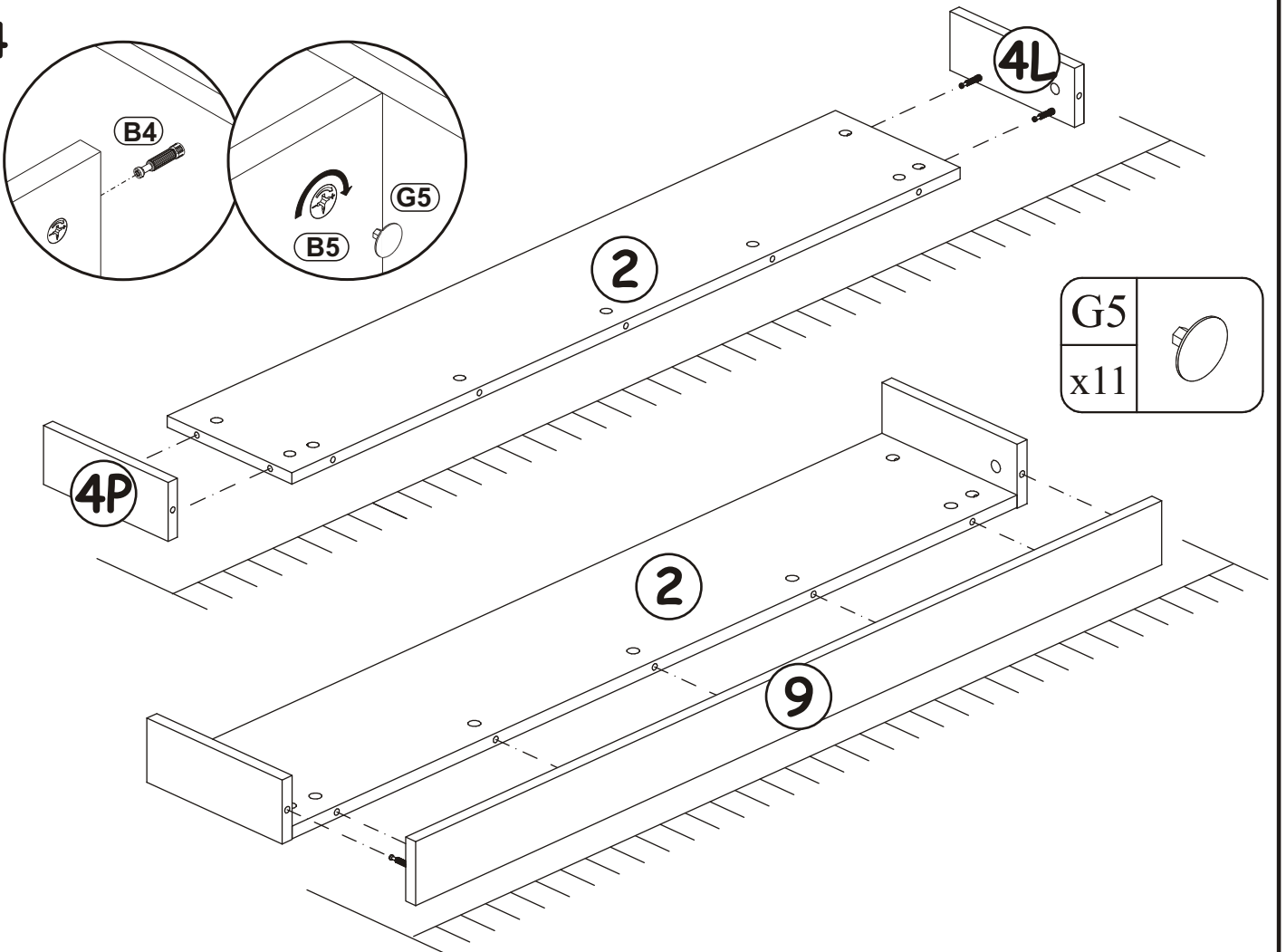


# CONCRET 20\_CR TYP 70

3

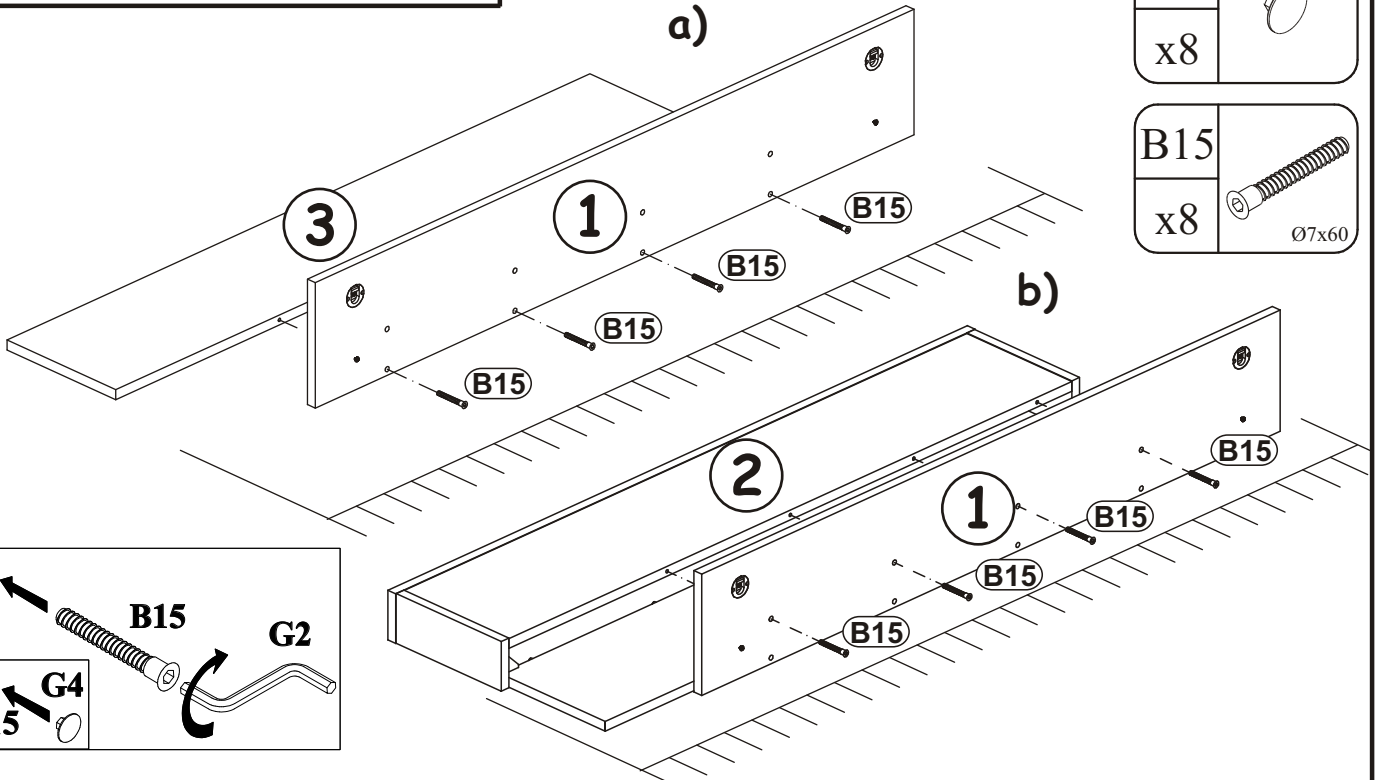


4



# CONCRET 20\_CR TYP 70

## 5



## 6

