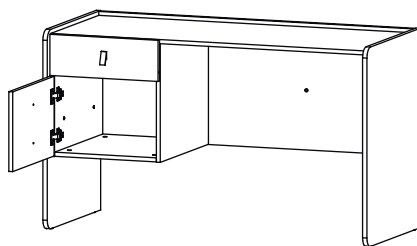
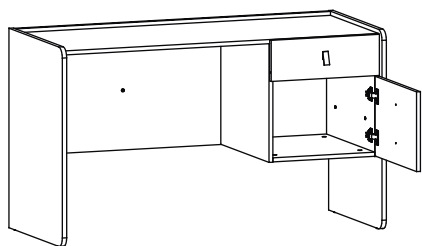
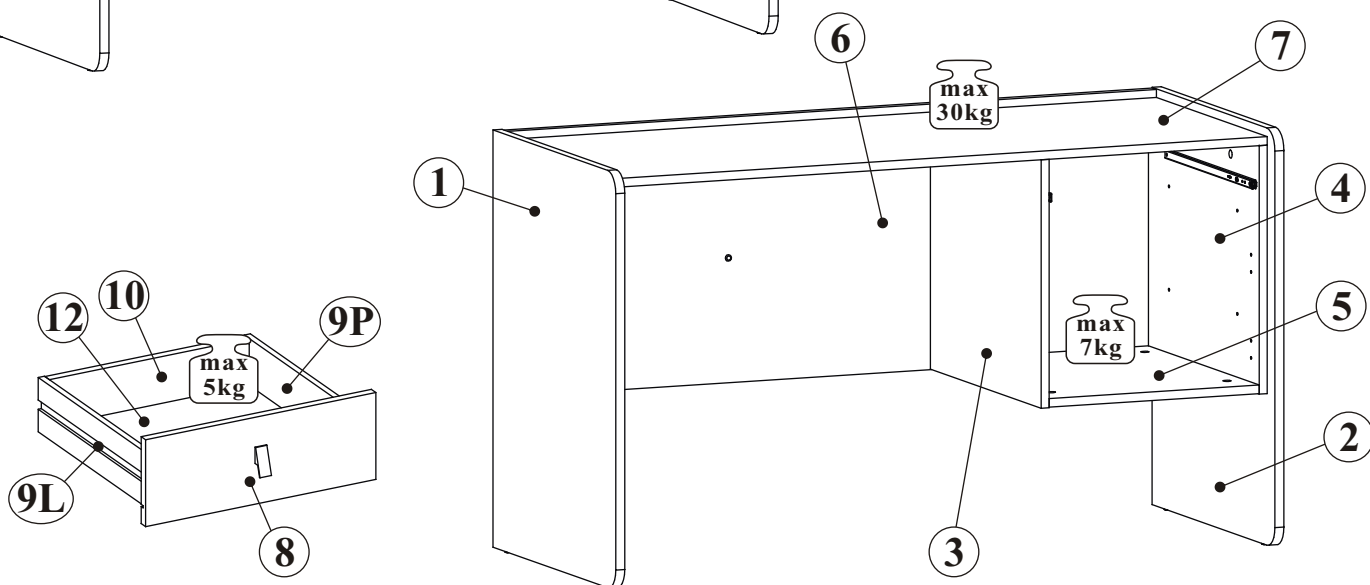
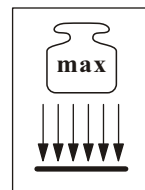
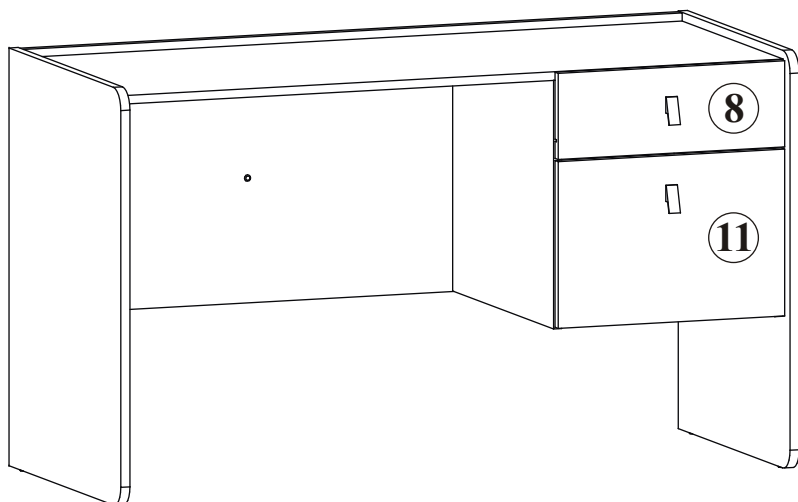
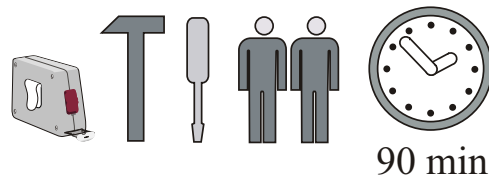


VIVERO 20_VV-TYP 05-BK

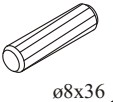
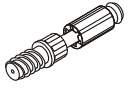




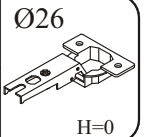
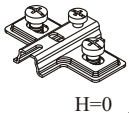



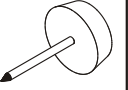







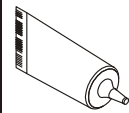

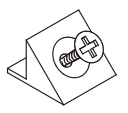


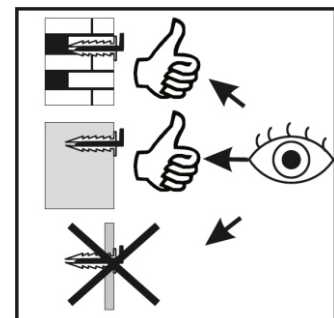
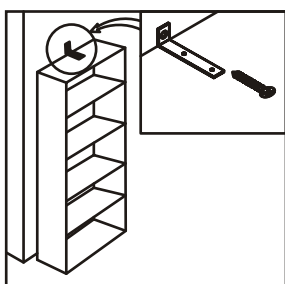
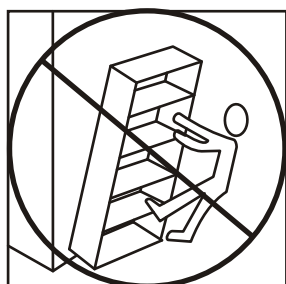
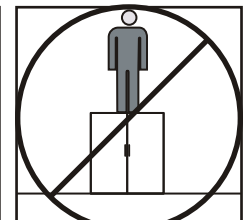
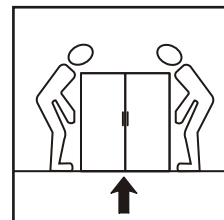
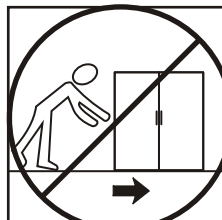
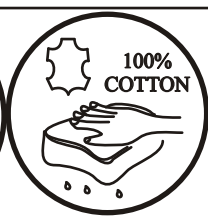
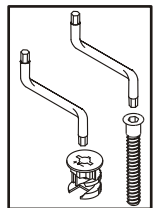
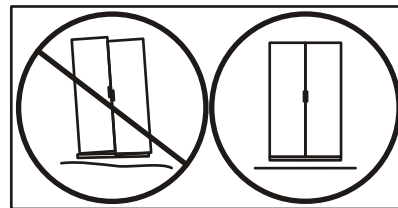
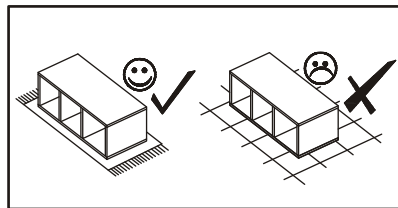
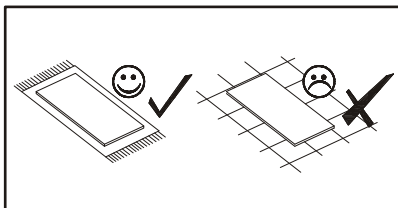
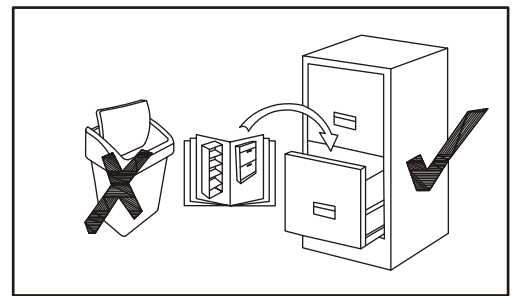
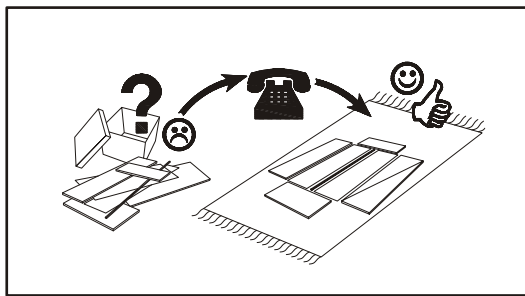
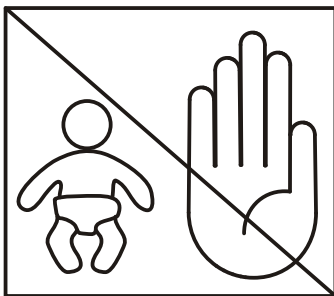
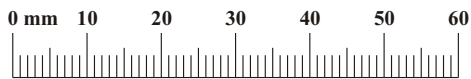
NO	Dim.			Col.-No	Qty
1	776	574	18	1	1
2	776	574	18	1	1
3	462	518	16	1	1
4	462	518	16	1	1
5	420	518	16	1	1
6	1300	494	18	1	1
7	1300	518	16	1	1
8	446	160	16	1	1
9L	400	100	12	1	1
9P	400	100	12	1	1
10	387	86	16	1	1
11	446	310	16	1	1
12	397	405	3	1	1

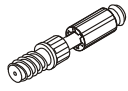
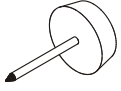


90 min

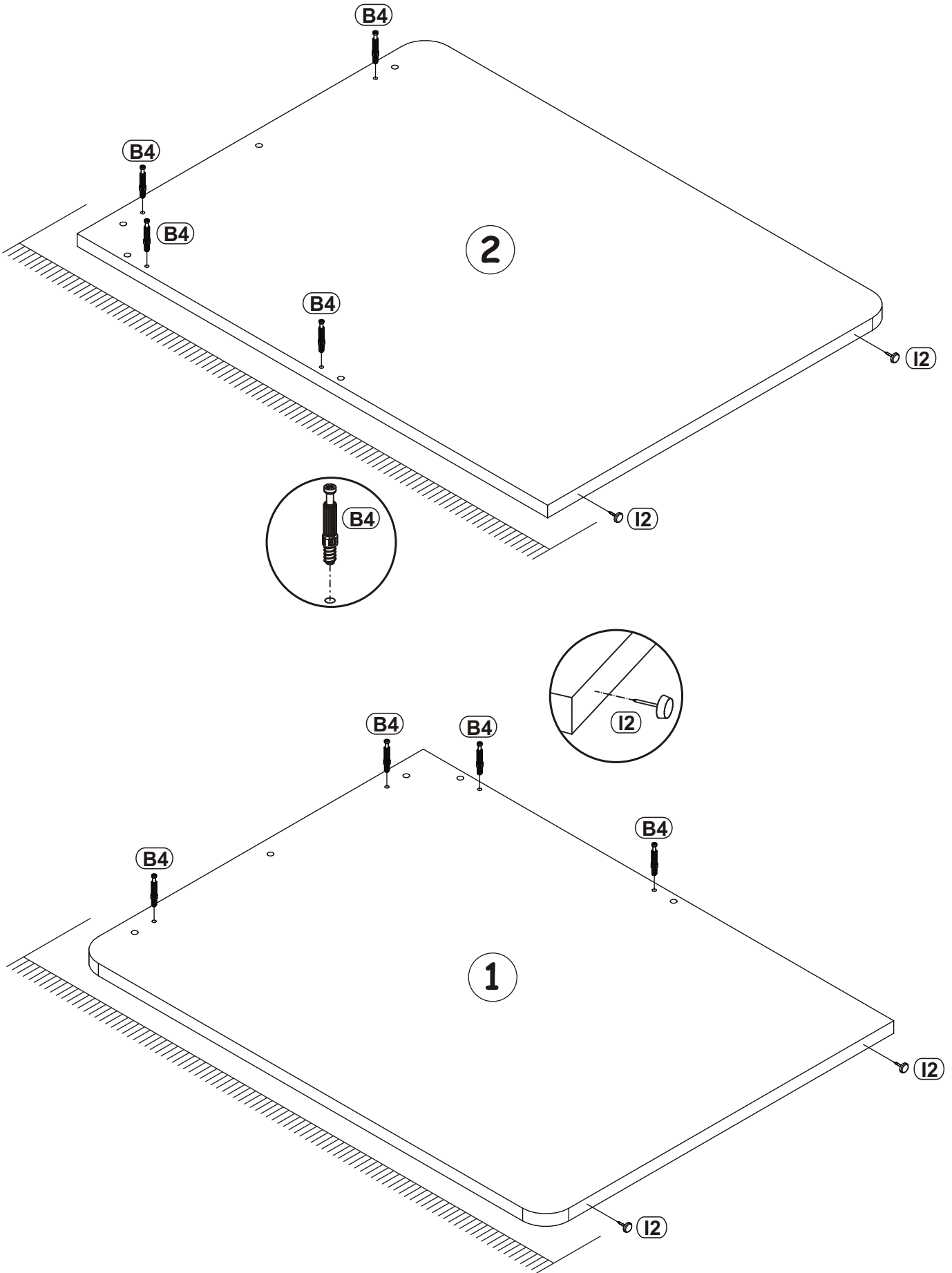
VIVERO 20_VV-TYP 05-BK

A1 x28 	B4 x16 	B5 x16 	G5 x16 	B11 x3 	G4 x3 
E1 x2 	E2 x2 	D10 x4 	A955 x2 	DS3 x2 	I2 x4 
H6 x1 	D8 x4 	D18 x2 	UP13 x5 	Z2 x9 	Z4 x1 
UP6 x4 	G1 x1 	G2 x1 	S1 x1 		

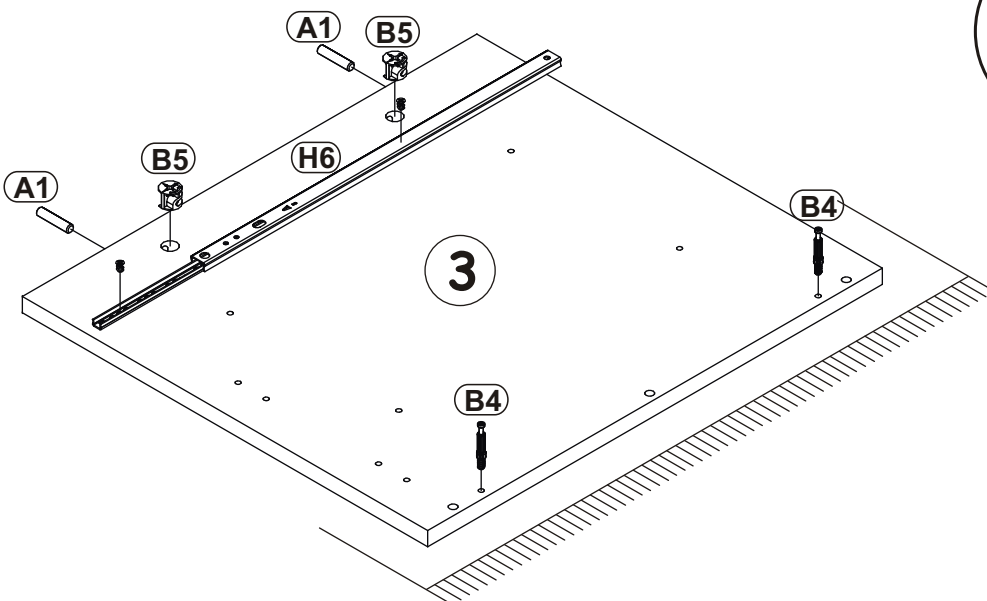
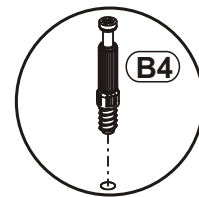
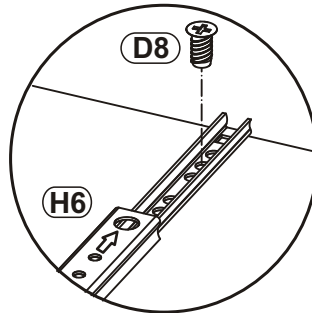
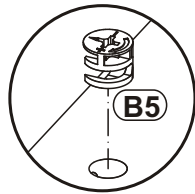
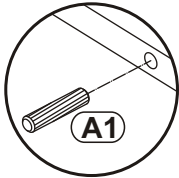
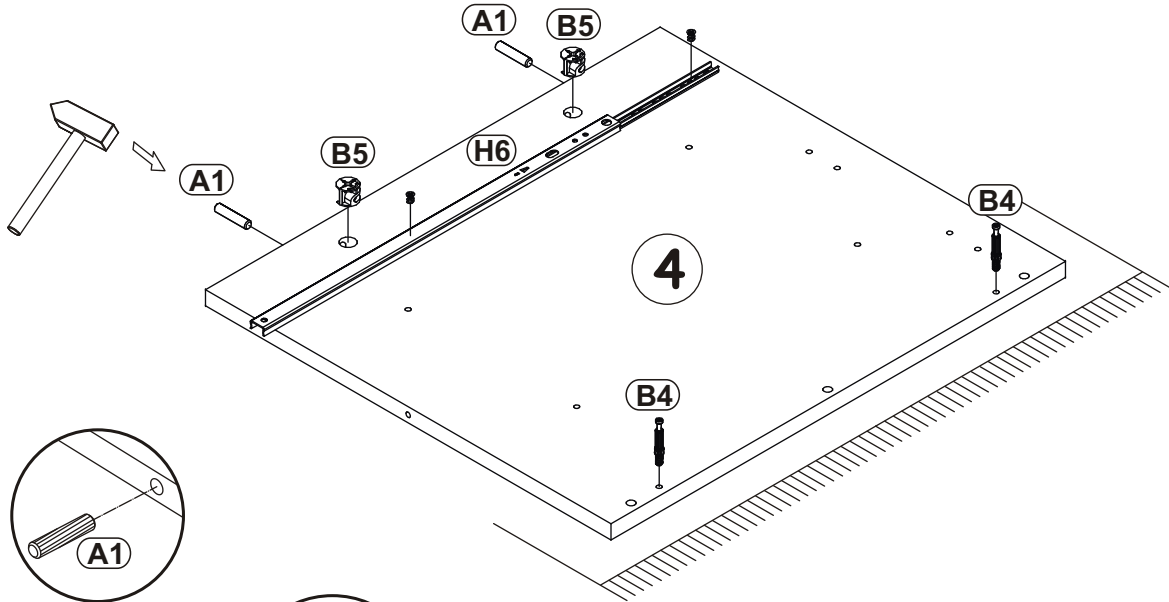
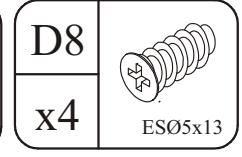
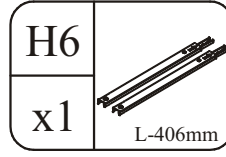
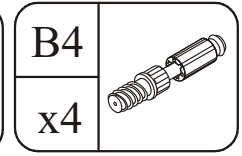
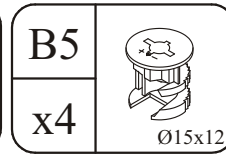
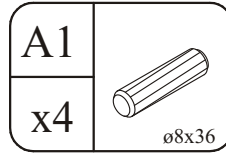


B4		I2	
x8		x4	

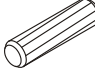

1

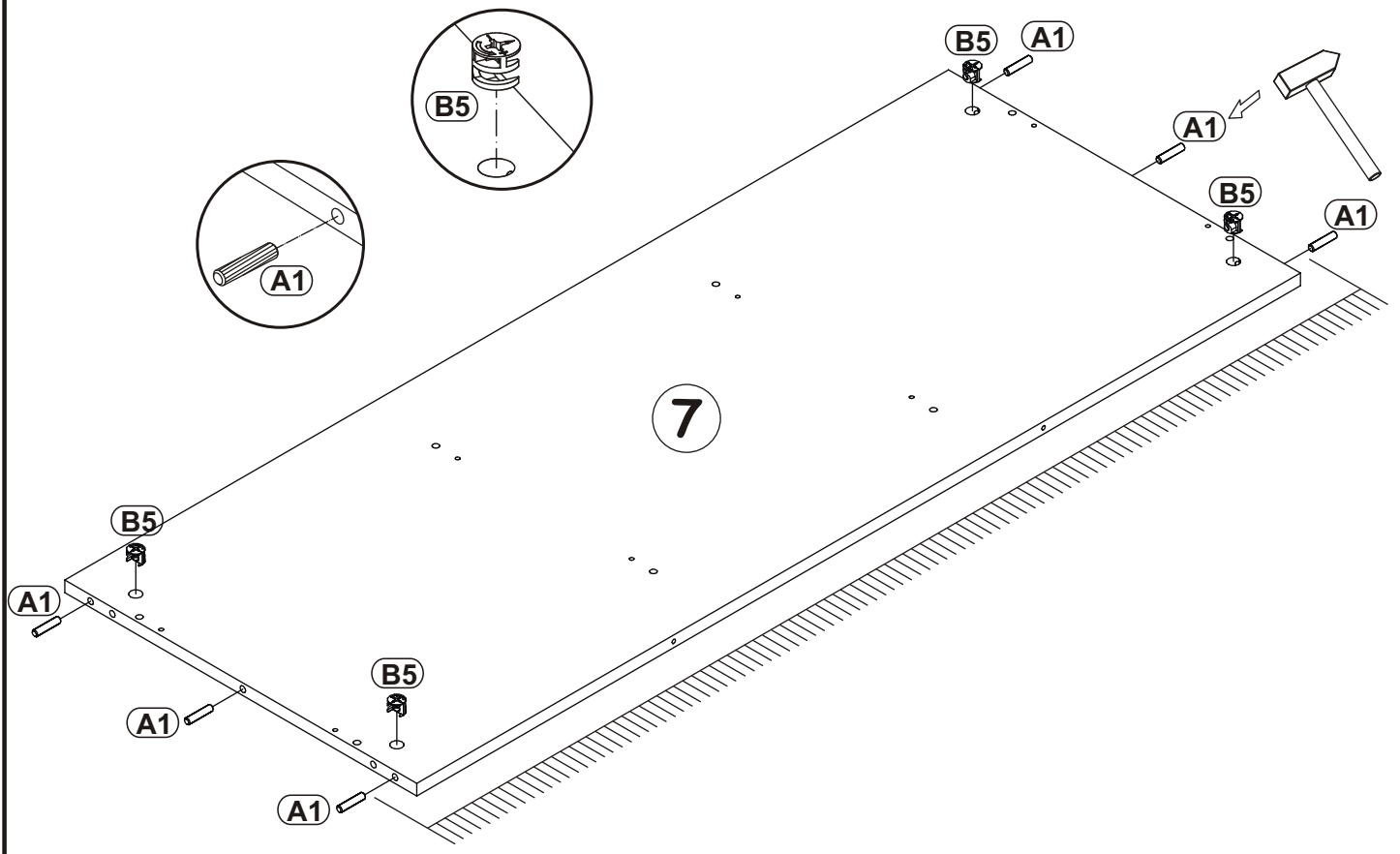


2

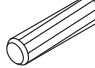



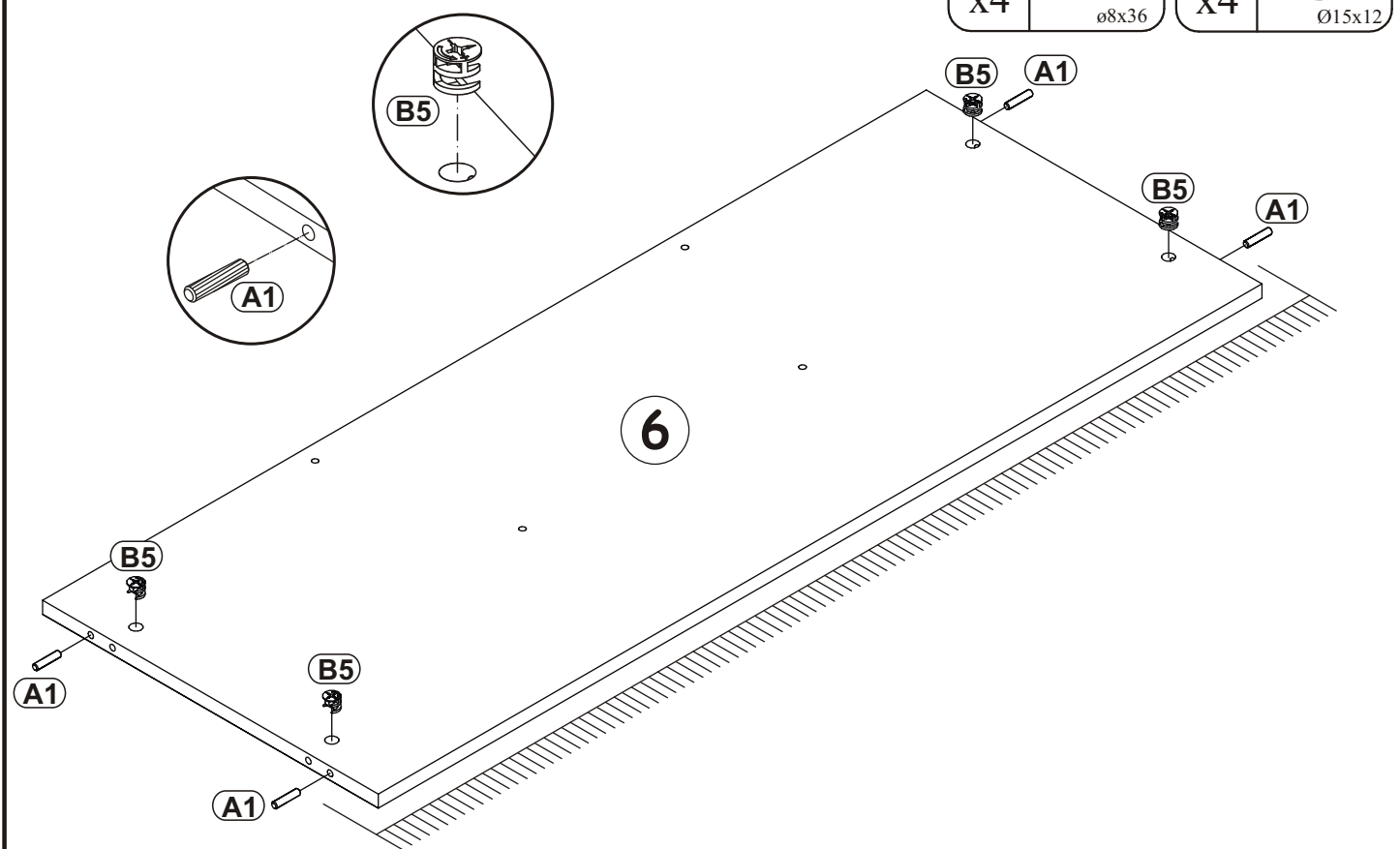
3

A1		B5	
x6		ø8x36	

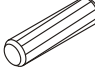



4

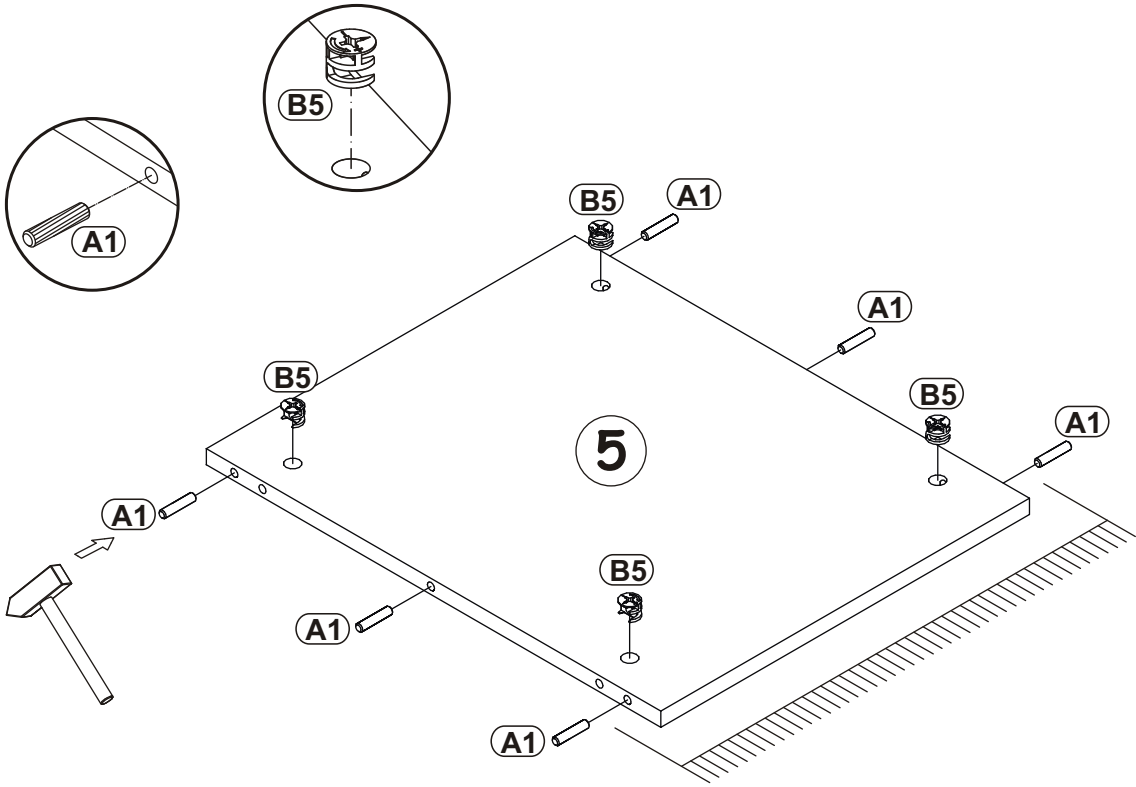
A1		B5	
x4		ø8x36	



5


A1	
x6	ø8x36

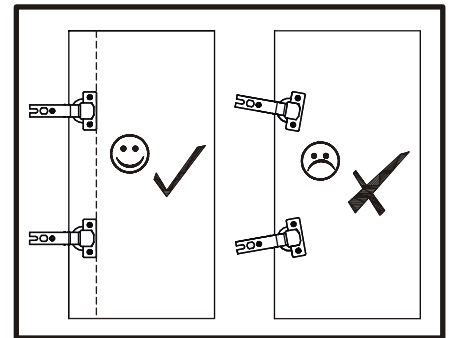
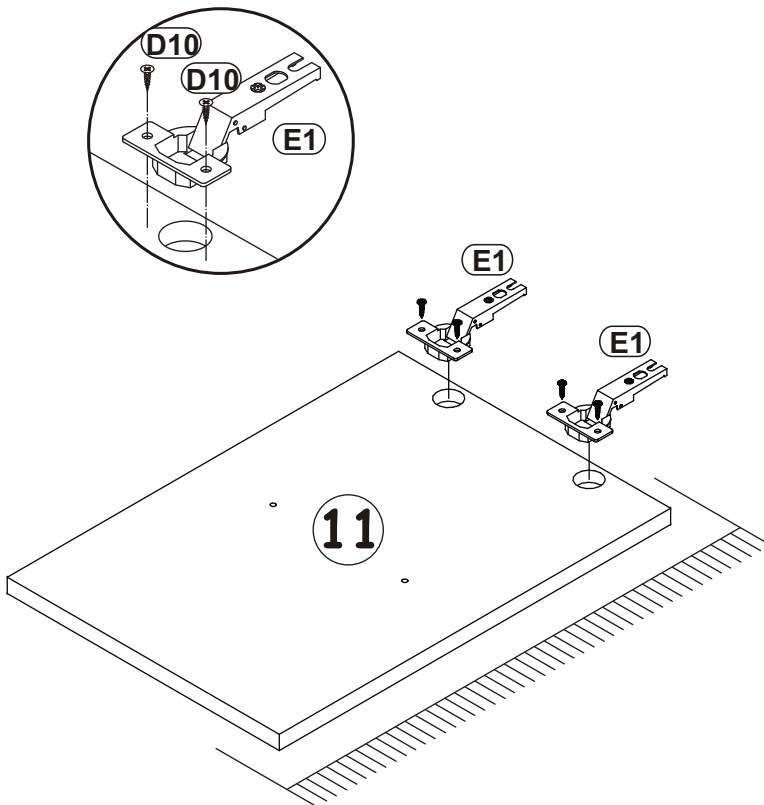
B5	
x4	Ø15x12



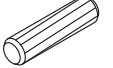
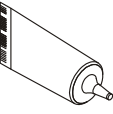
6

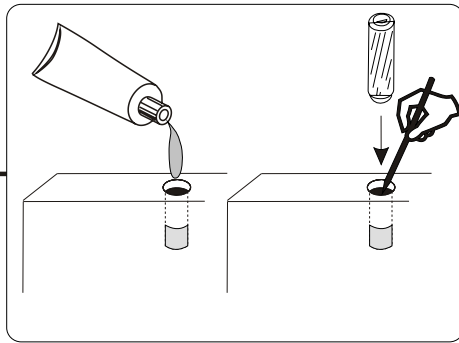
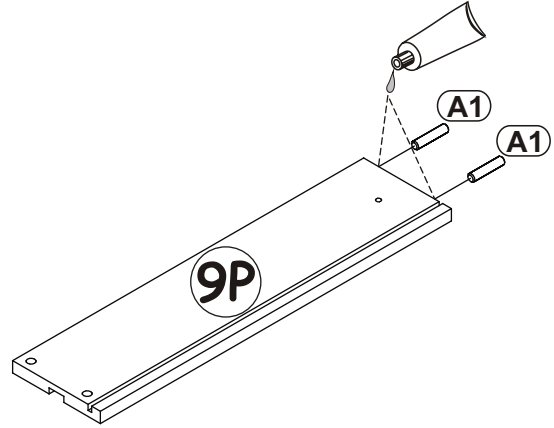
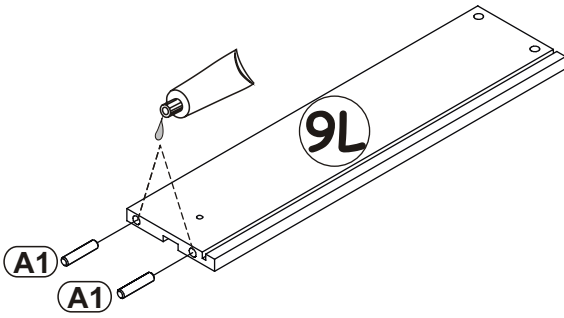
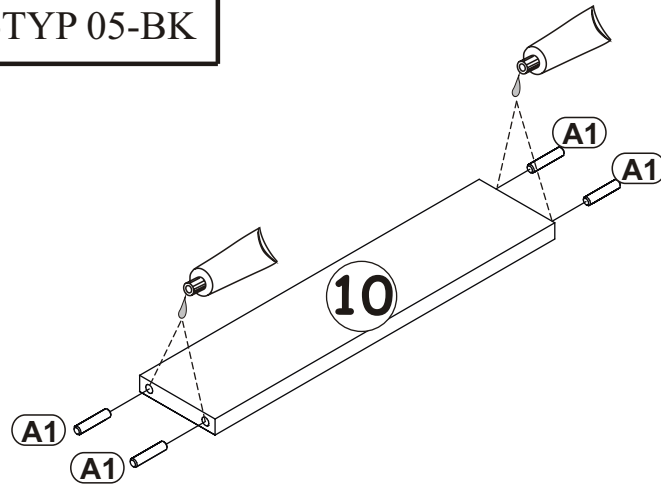
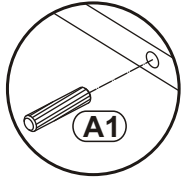
E1	Ø26
x2	H=0

D10	
x4	USØ3,5x13

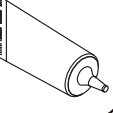


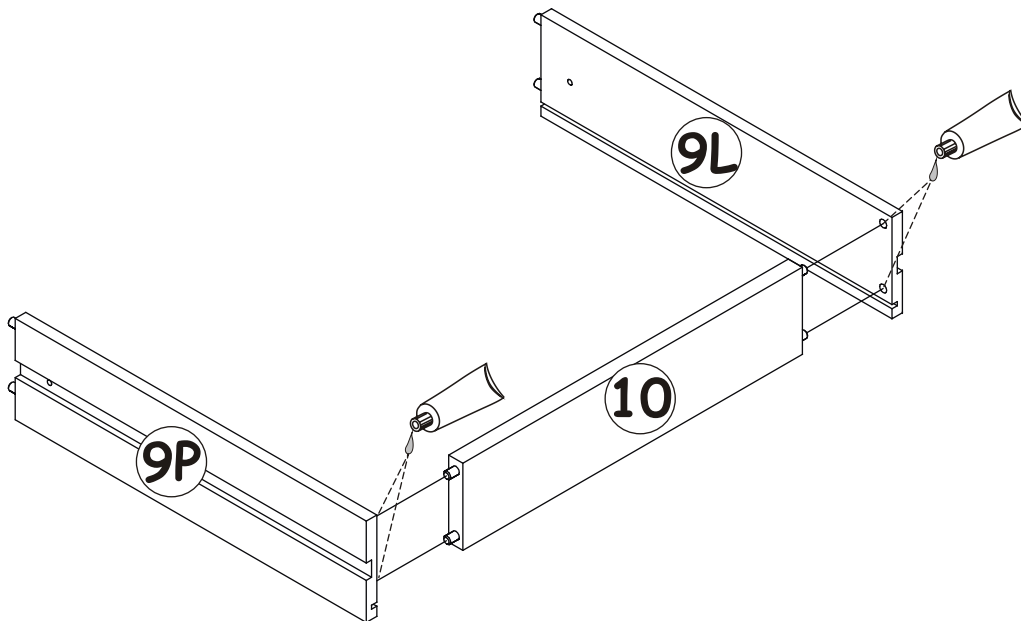
7

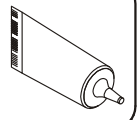
A1	
x8	ø8x36
G1	
x1	



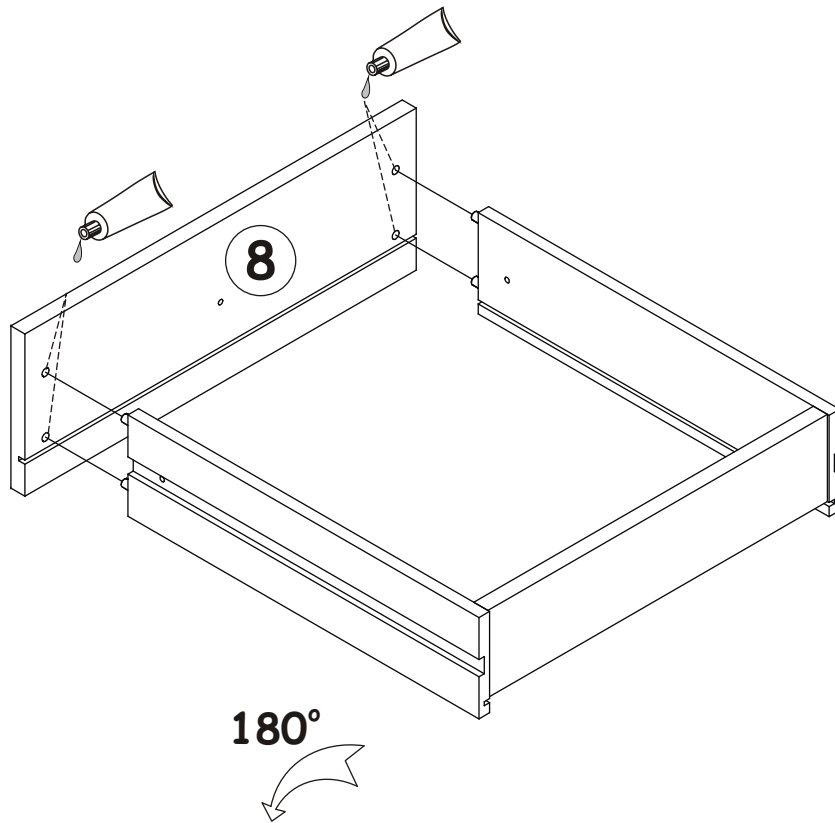
8

G1	
x1	

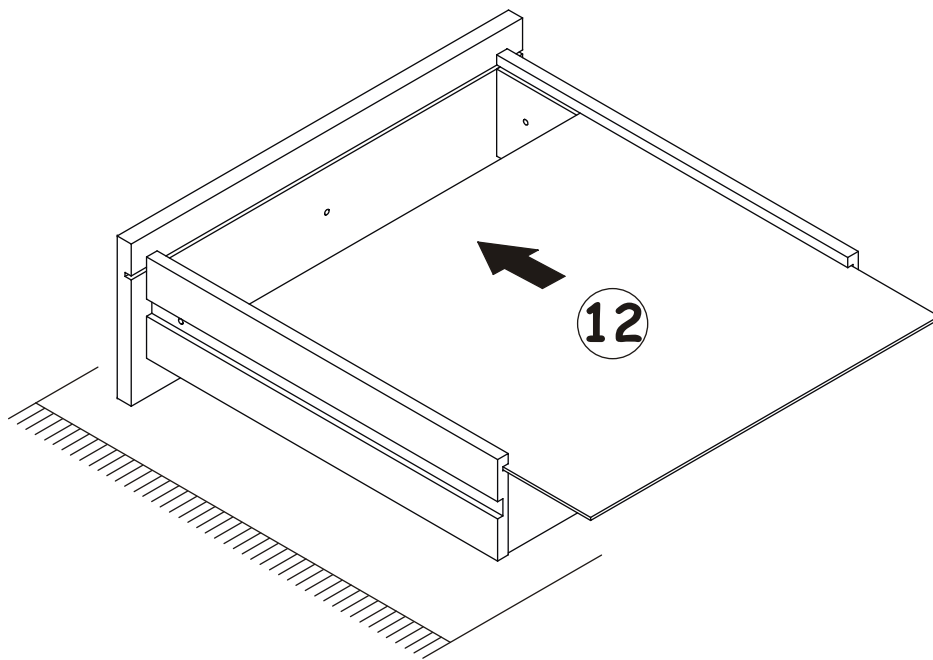




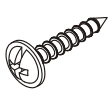
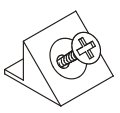
9



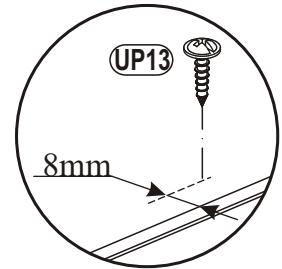
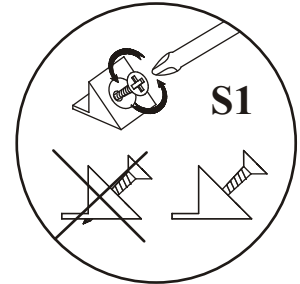
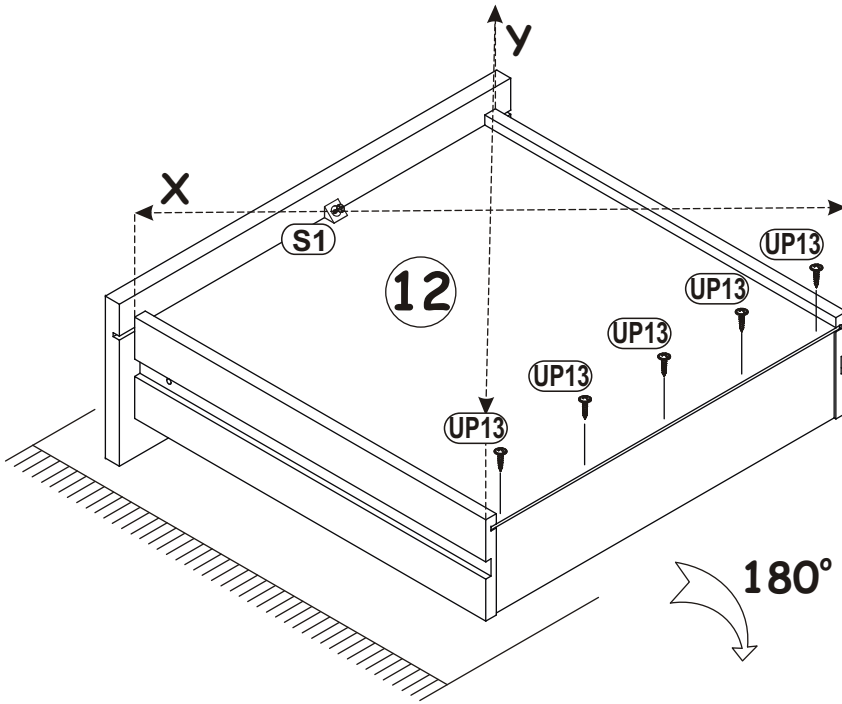
10







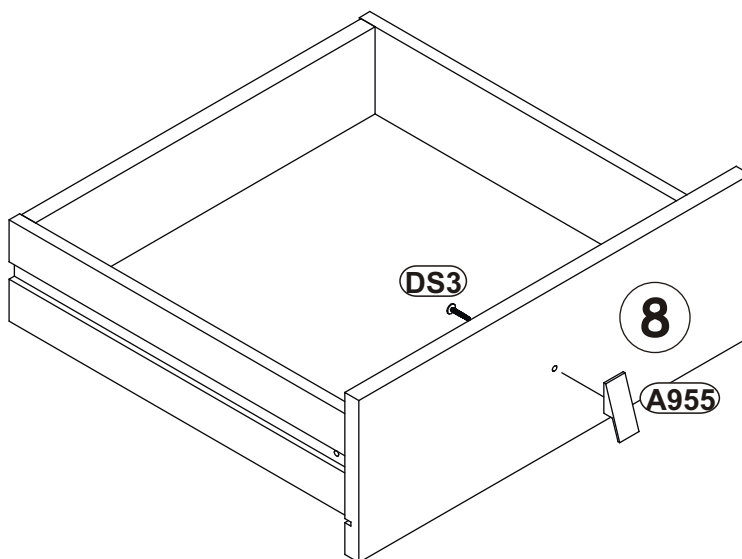
UP13	
x5	UPØ3x16
S1	
x1	

11



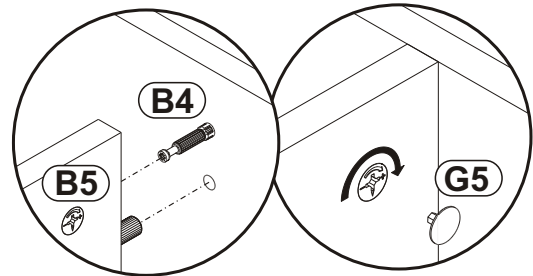
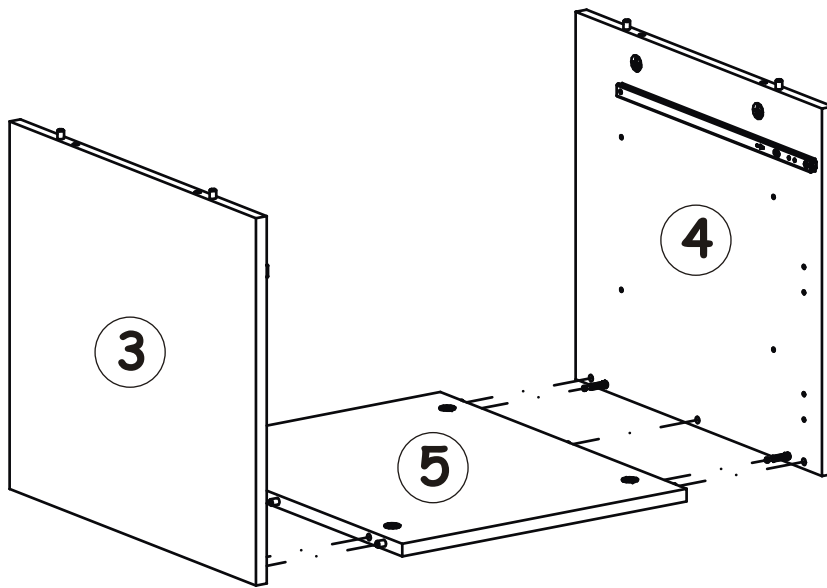
12

A955		DS3	
x1		x1	WSM4x20

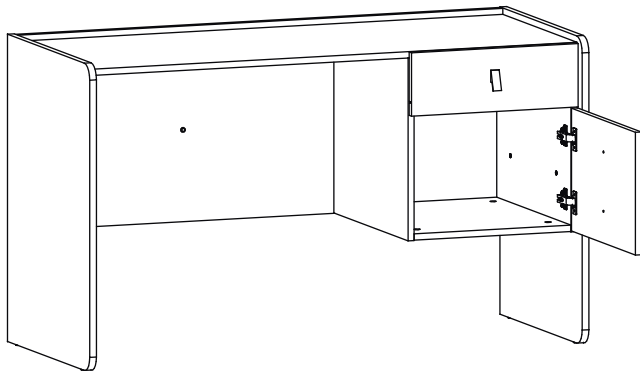




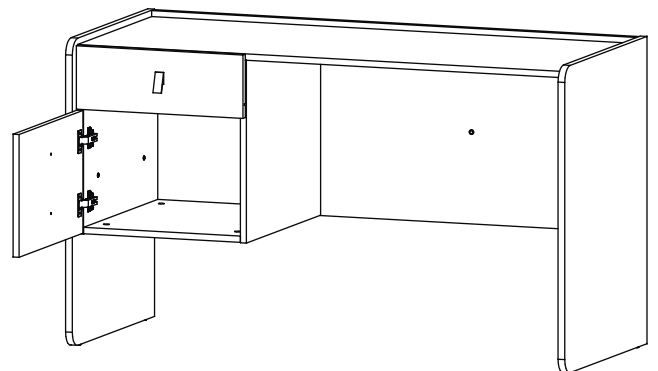
13



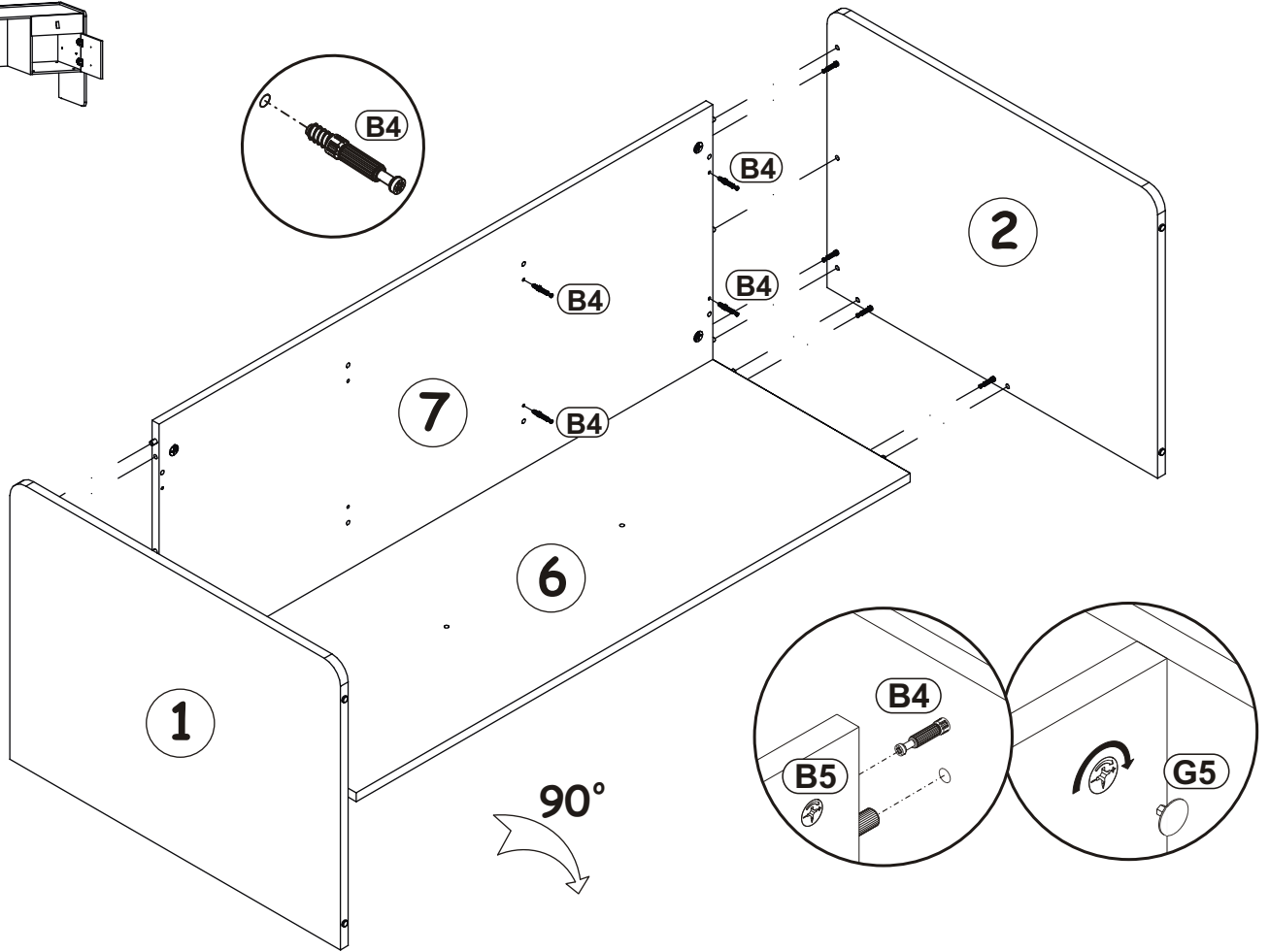
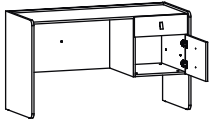
14-21



22-29

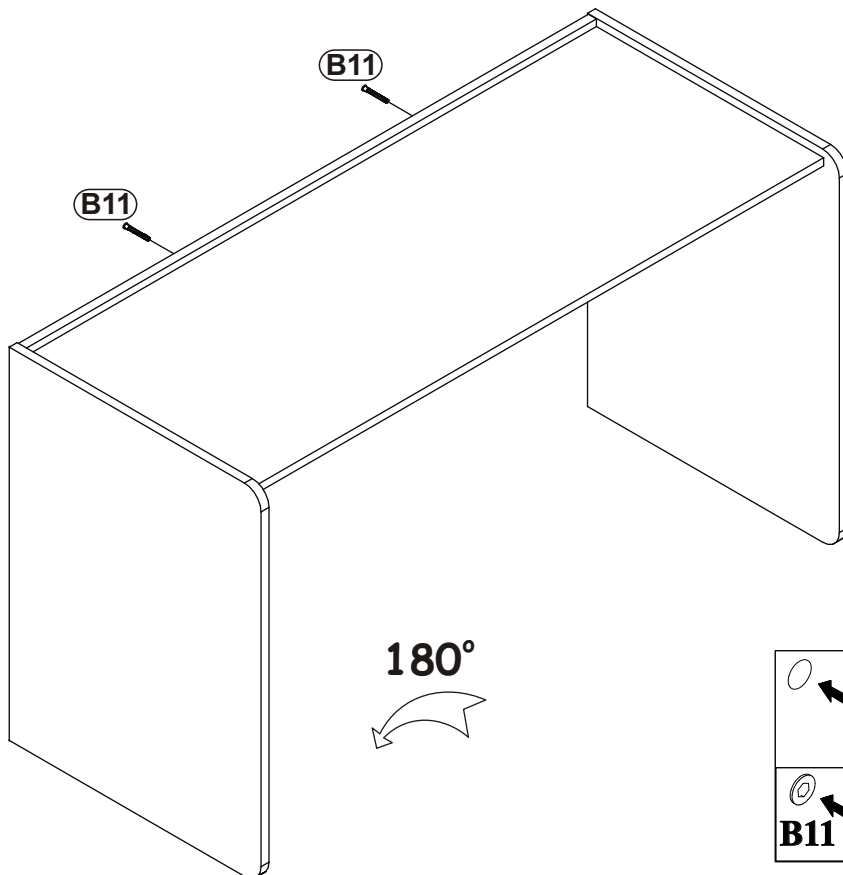


14

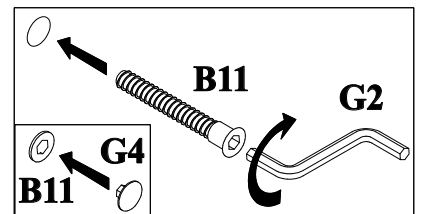


G5		B4	
x8		x4	

15



B11	
x2	Ø7x50
G4	
x2	

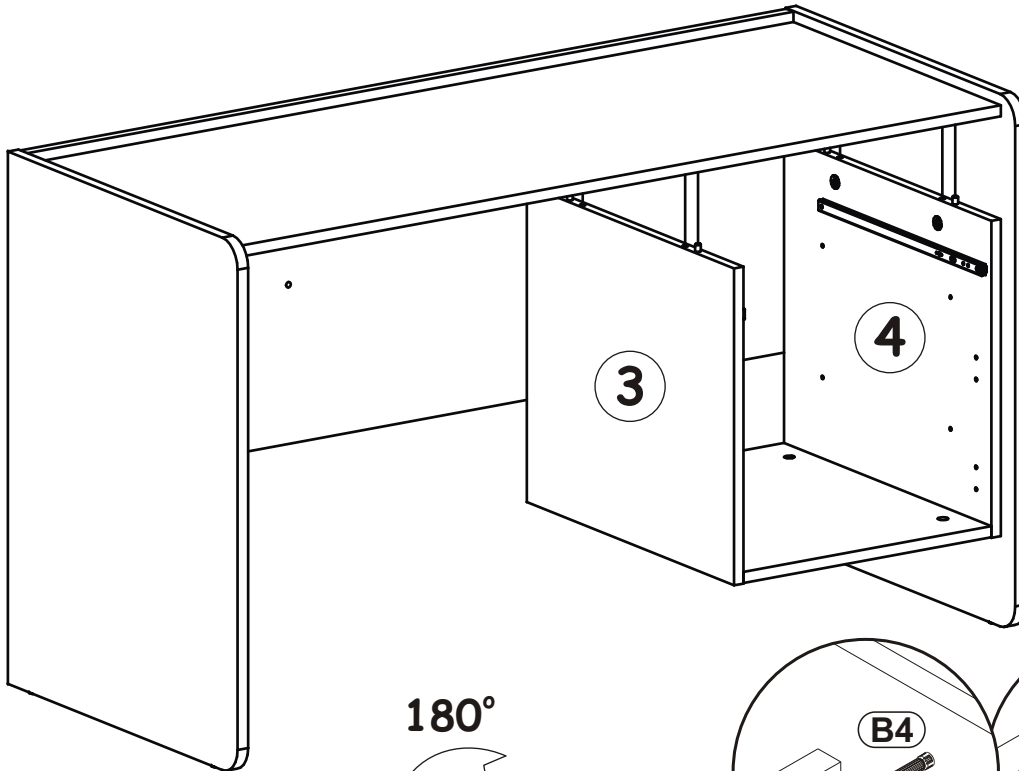


G5

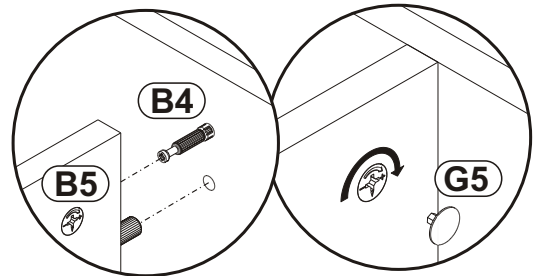
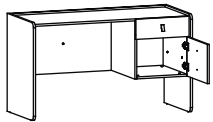
x4



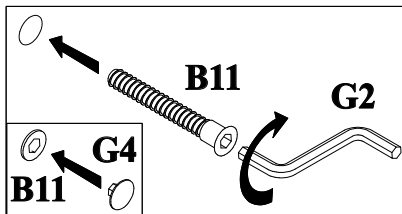
16



180°

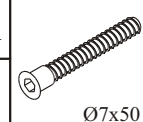


17



B11

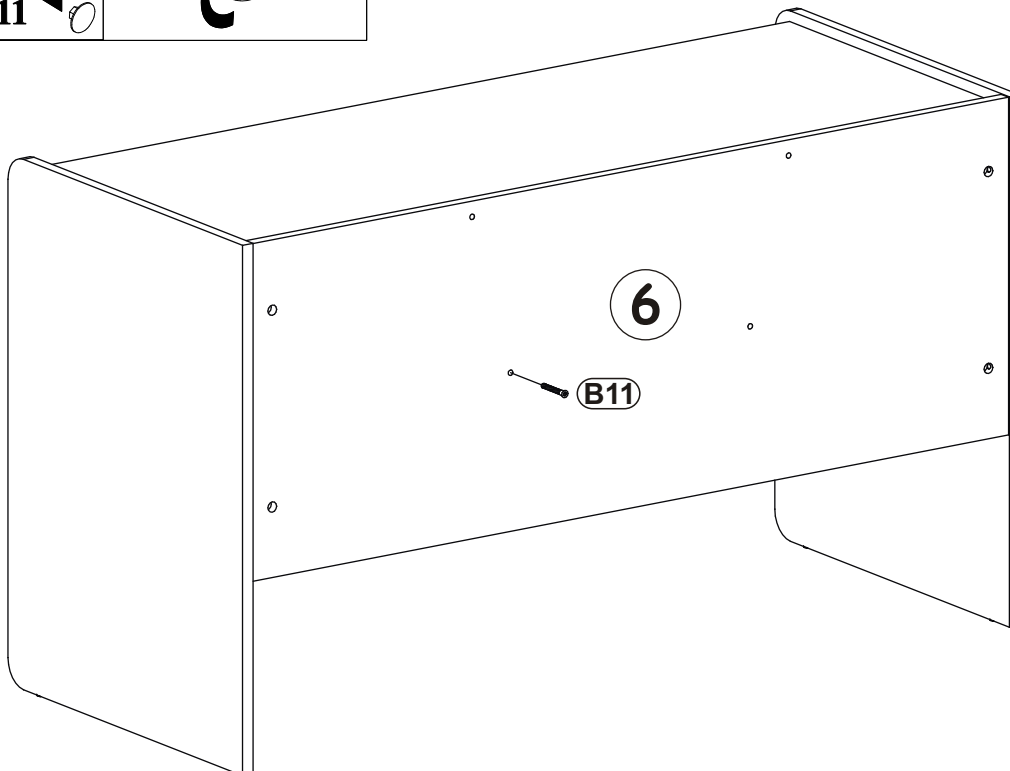
x1



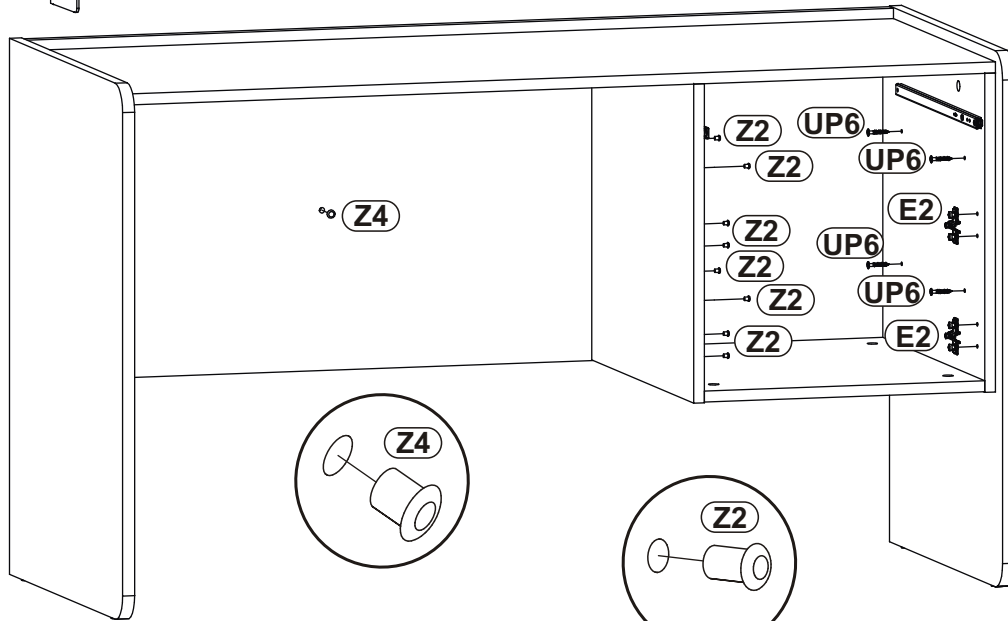
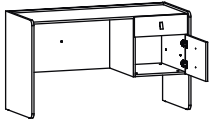
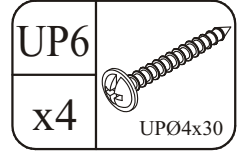
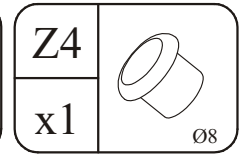
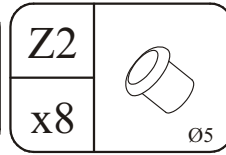
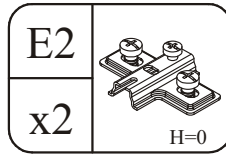
Ø7x50

G4

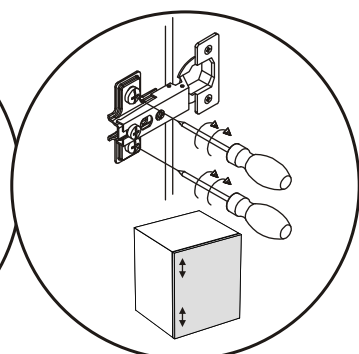
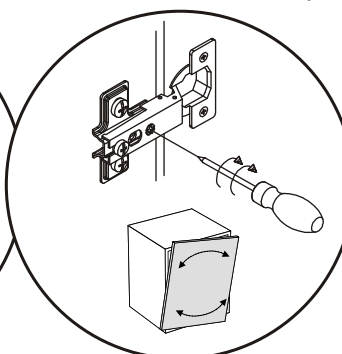
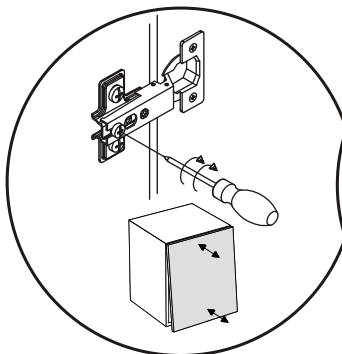
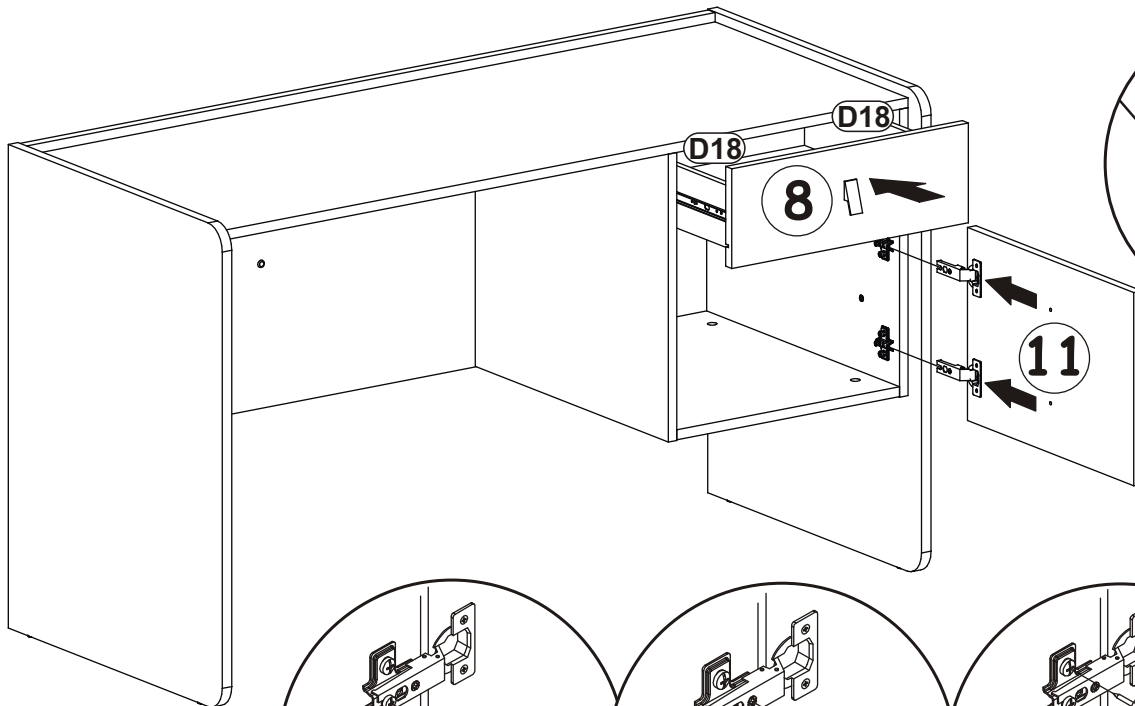
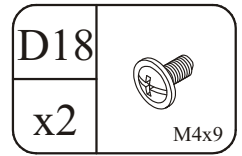
x1



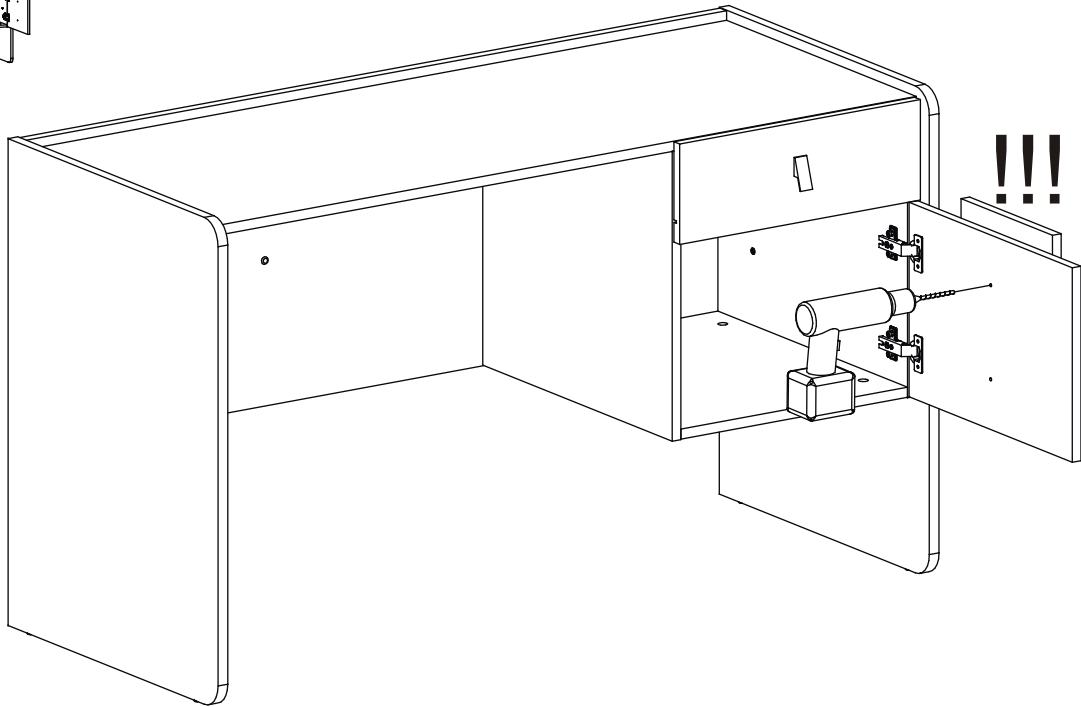
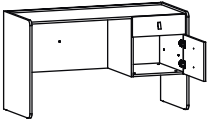
18



19

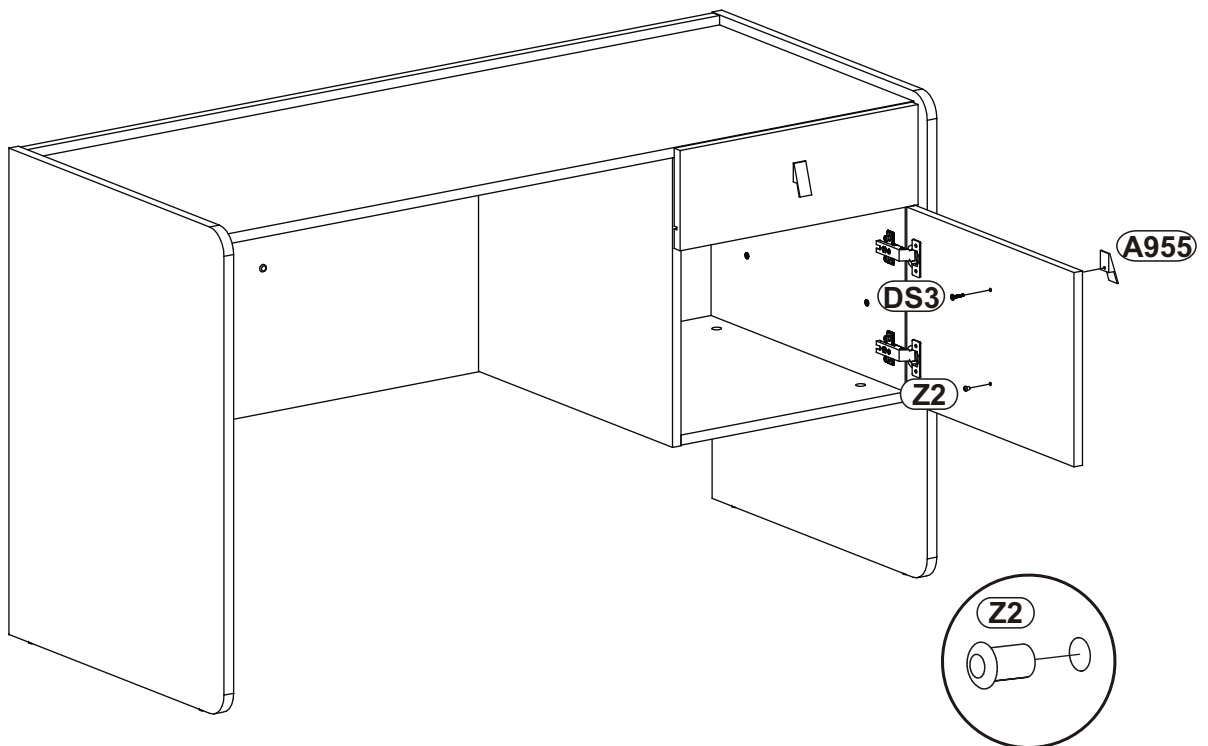


20


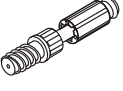


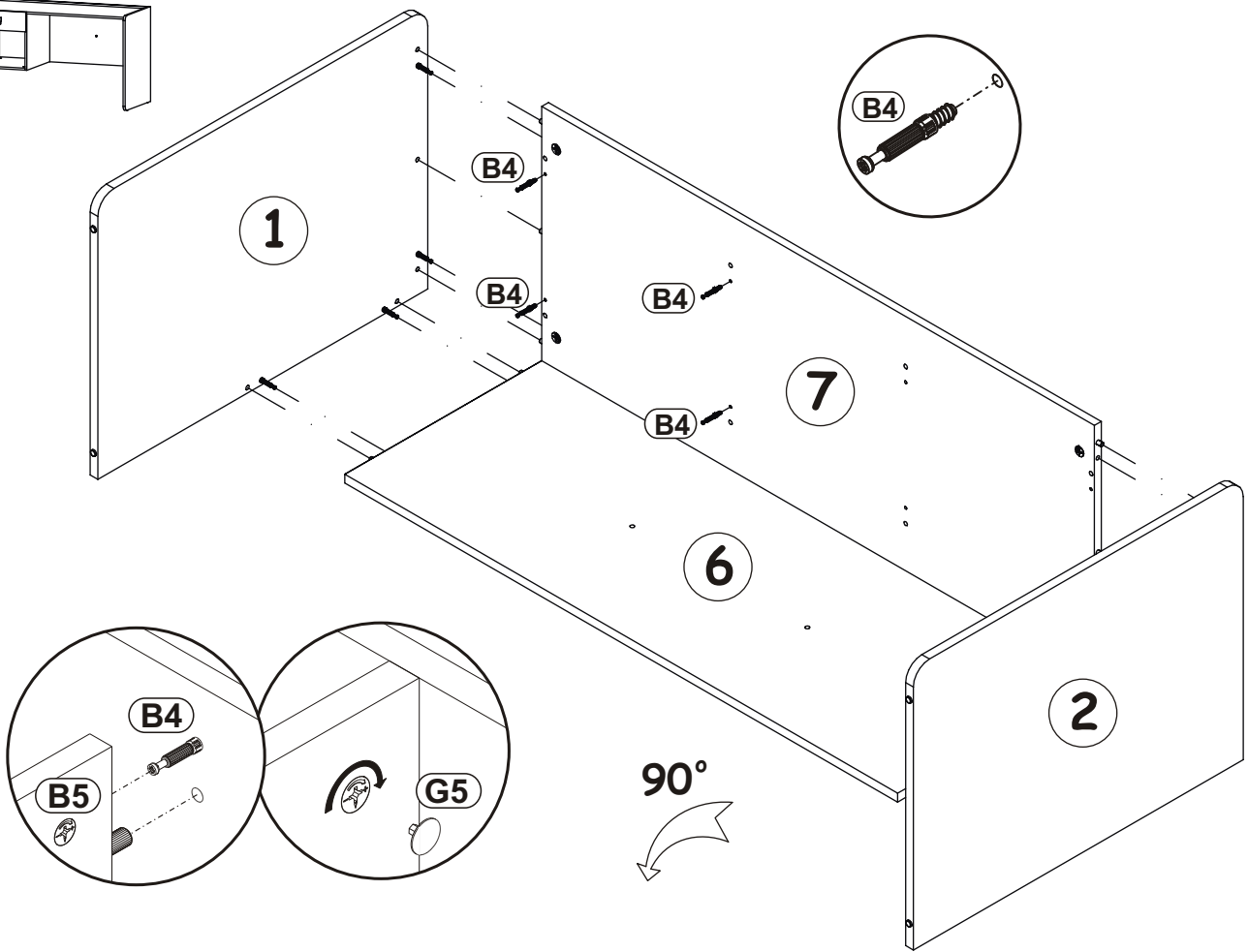
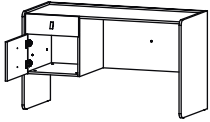
21

A955		DS3		Z2	
x1		x1	WSM4x20	x1	Ø5





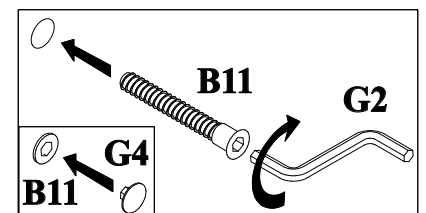
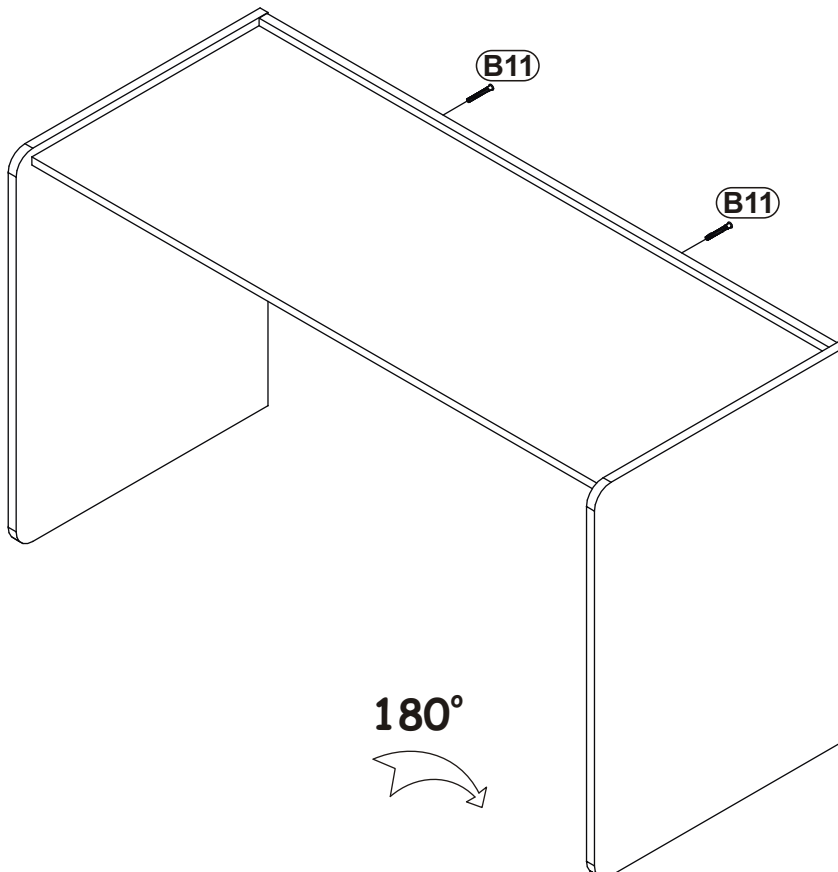
22

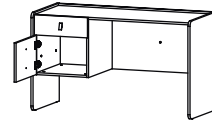
G5		B4	
x8		x4	




23

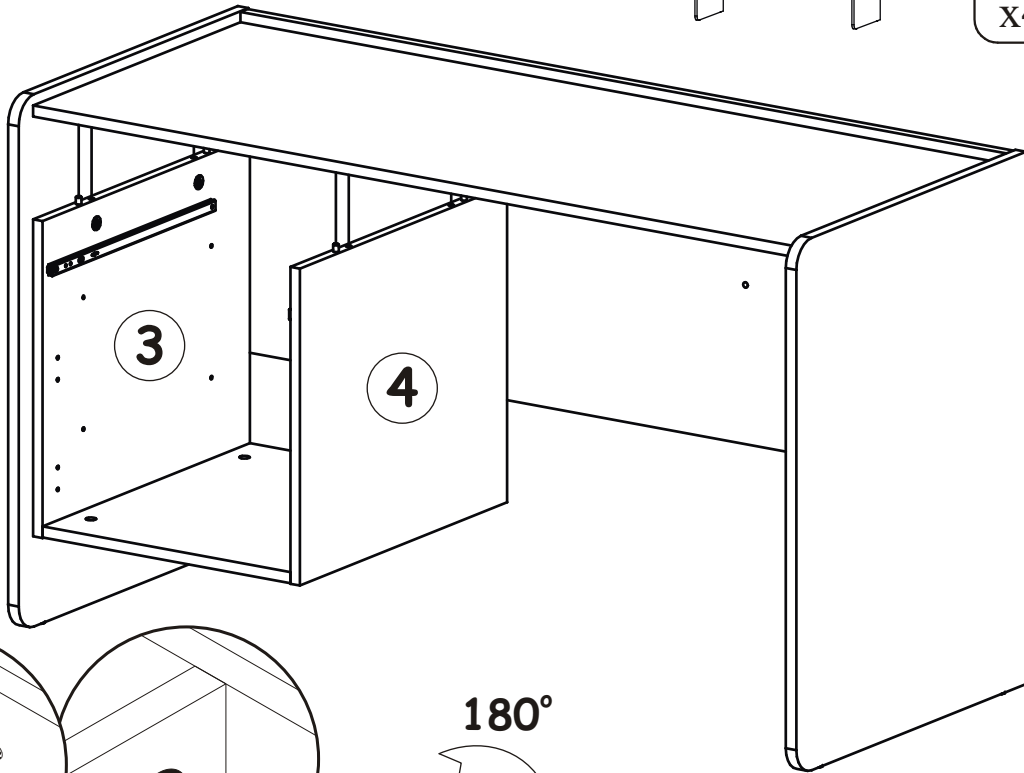
B11		G4	
x2	Ø7x50	x2	



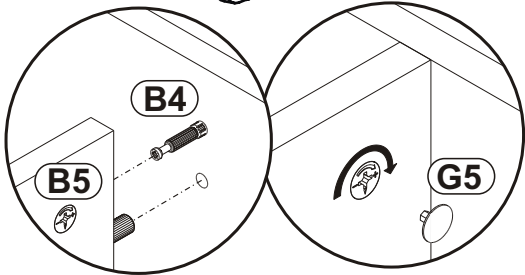


G5	
x4	

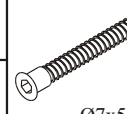
24




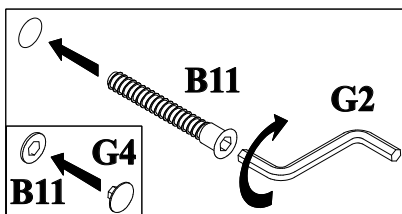
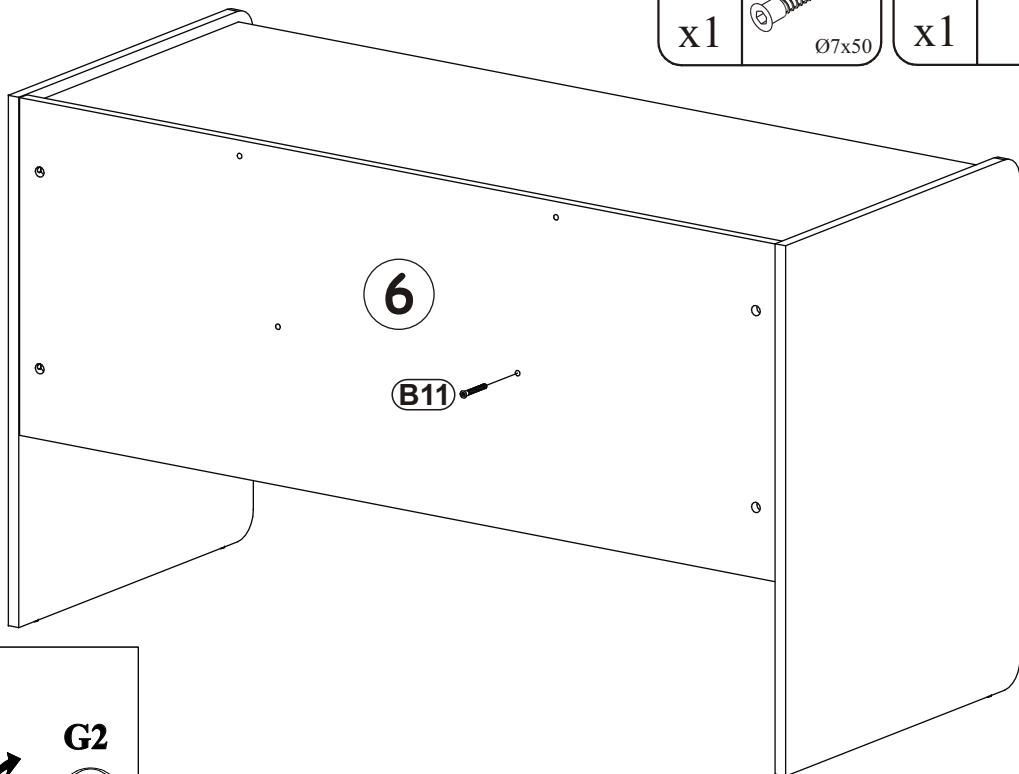
180°



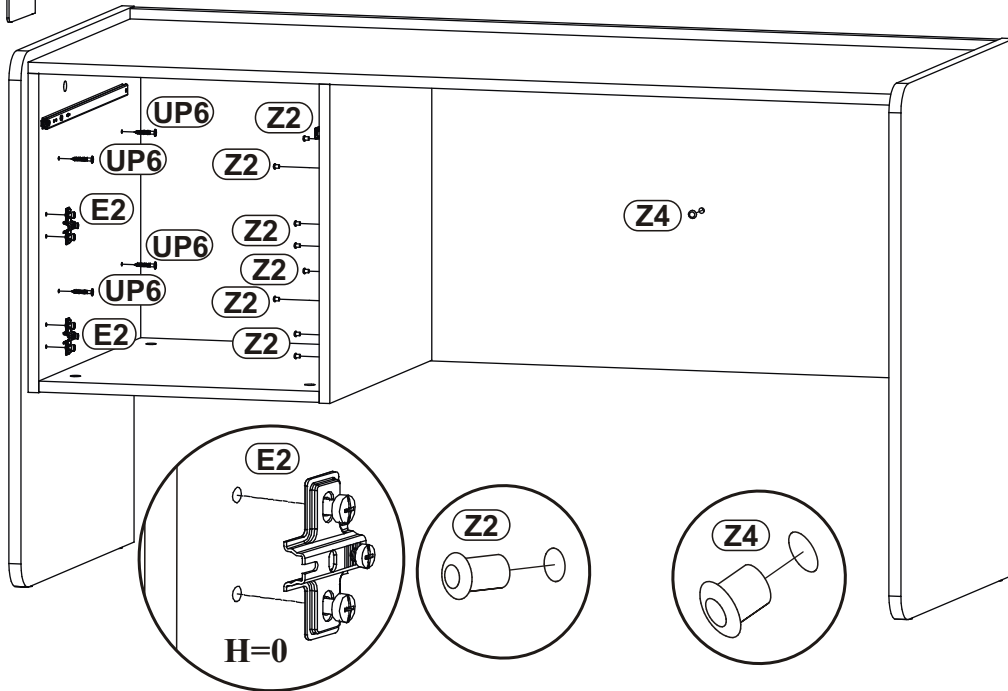
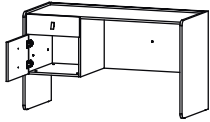
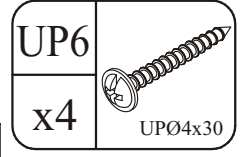
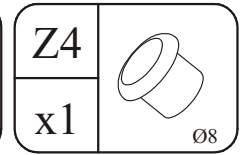
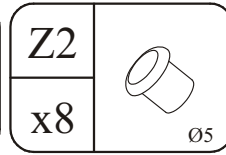
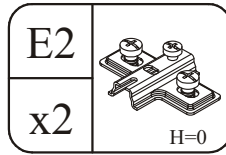
25

B11	
x1	Ø7x50

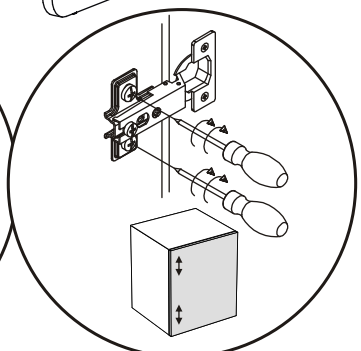
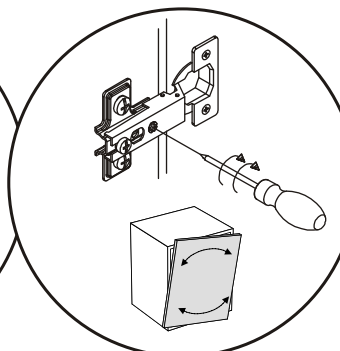
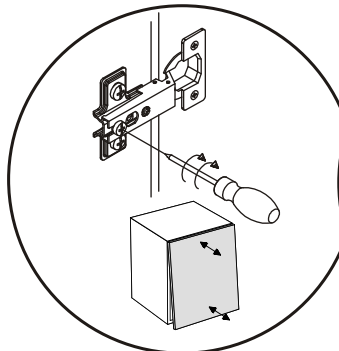
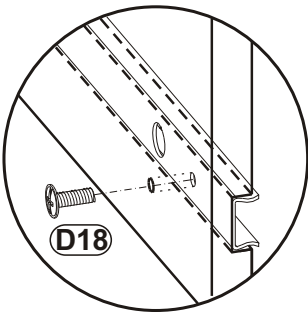
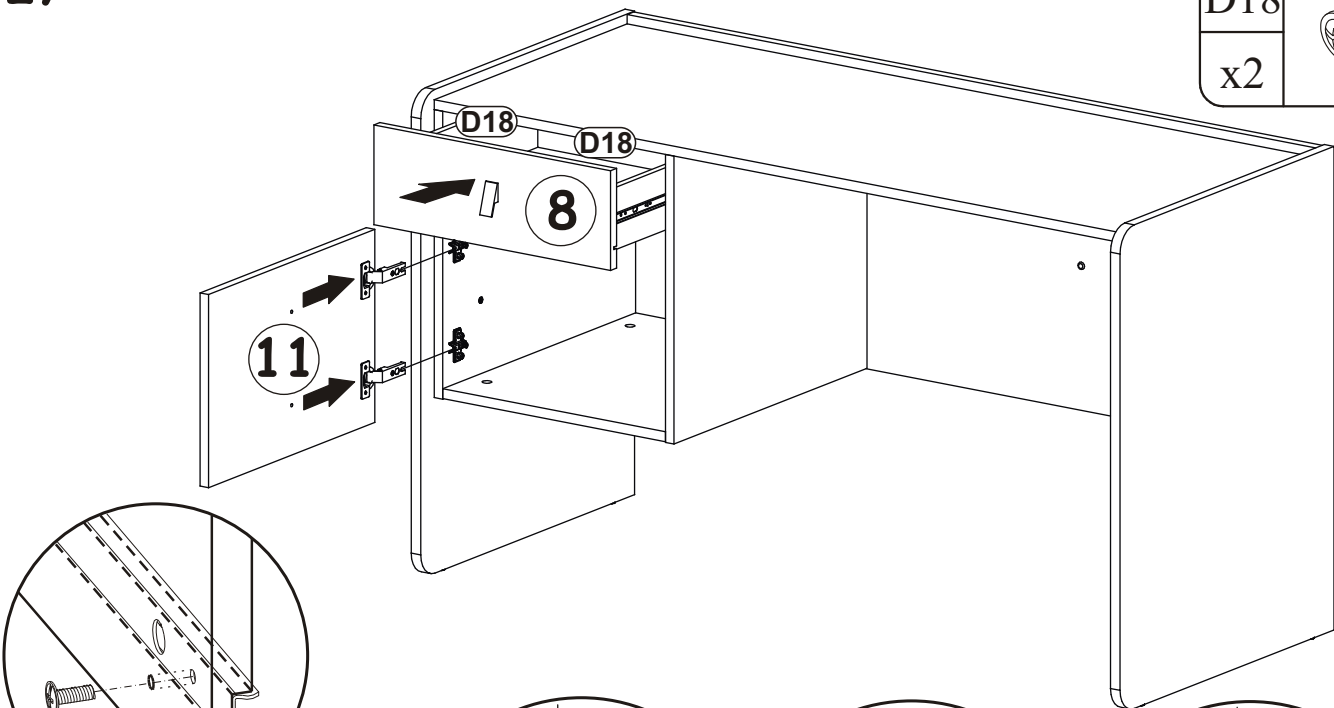
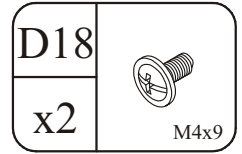
G4	
x1	



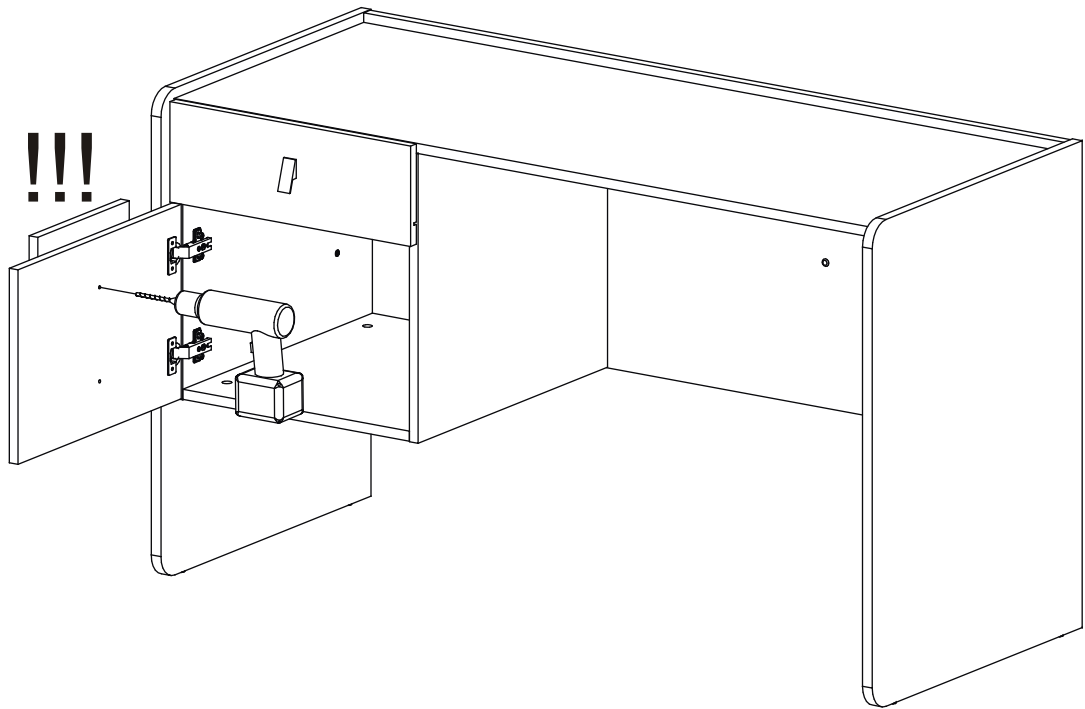
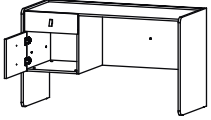
26



27



28



29

A955		DS3		Z2	
x1		x1	WSM4x20	x1	Ø5

