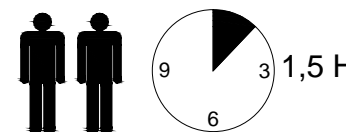
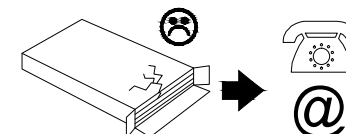
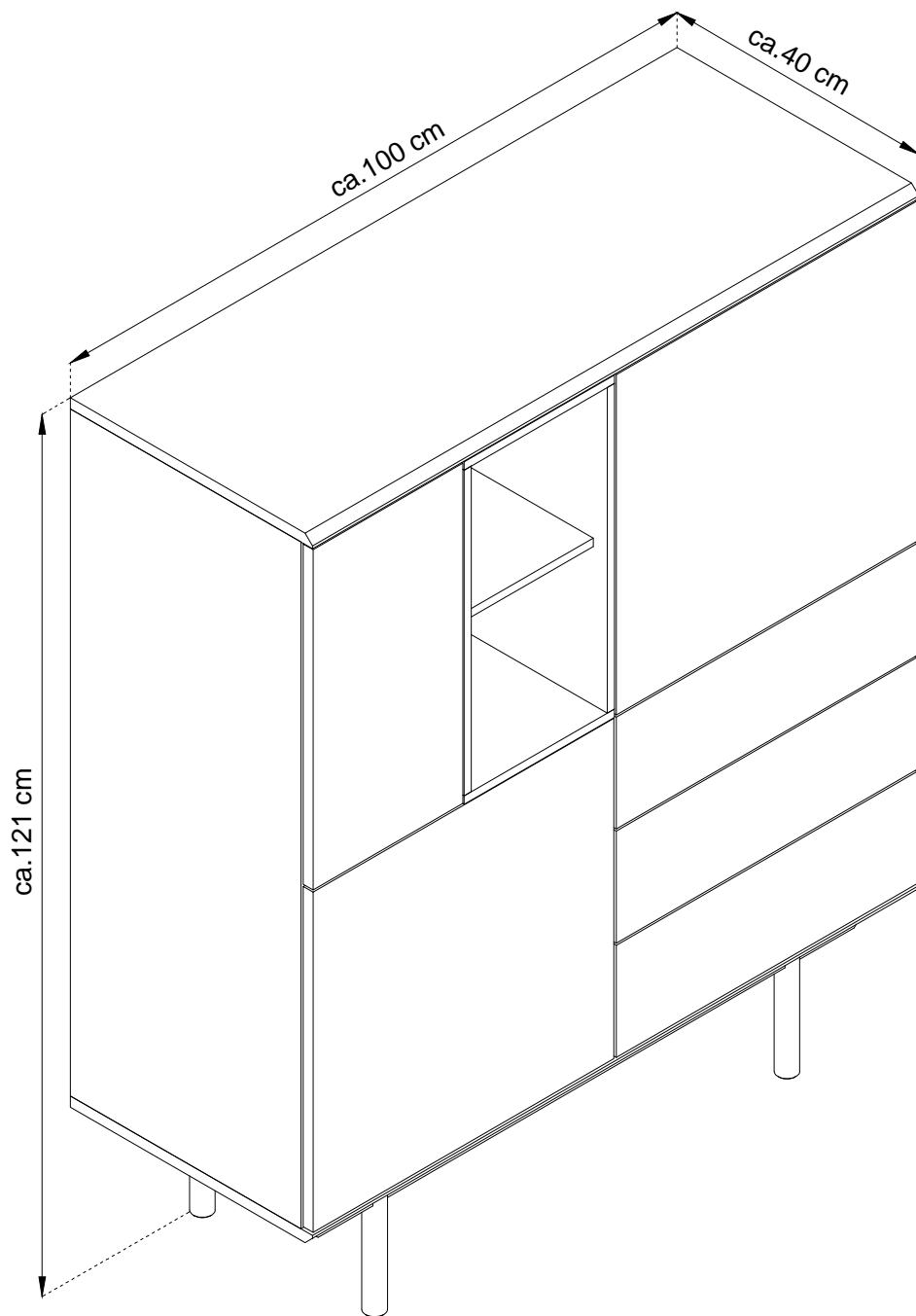
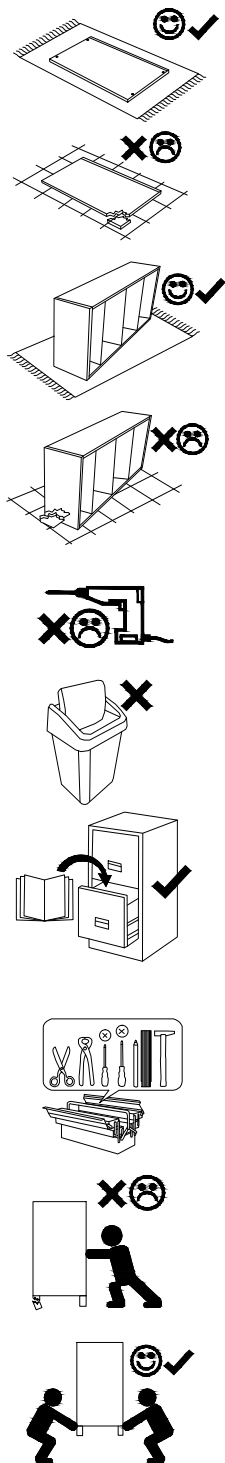


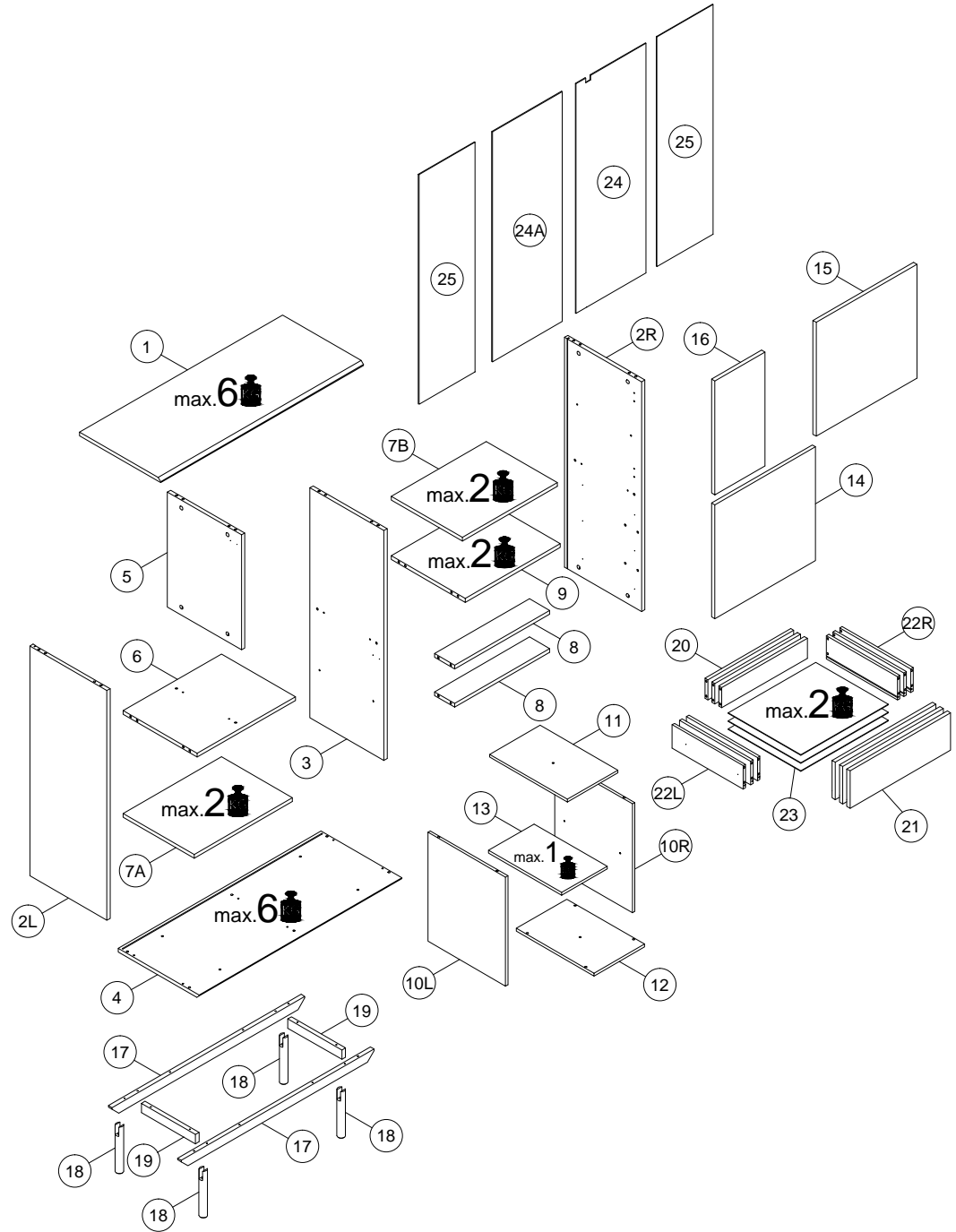
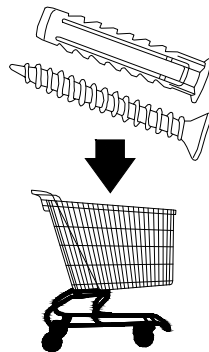
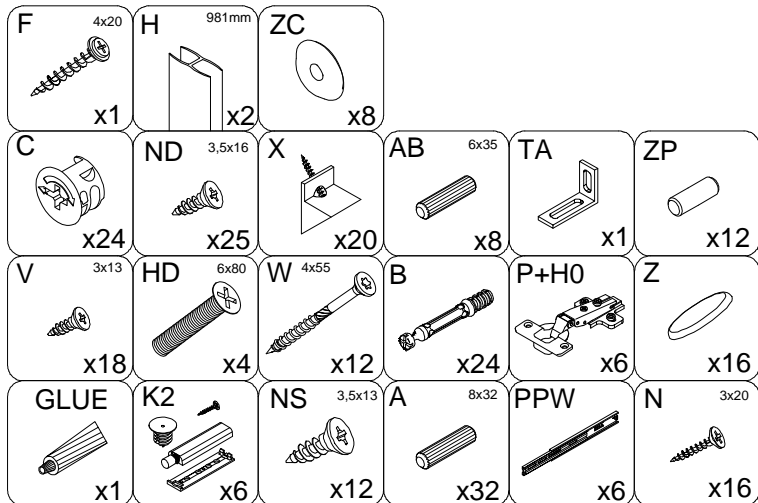
IK100



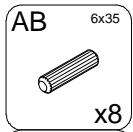
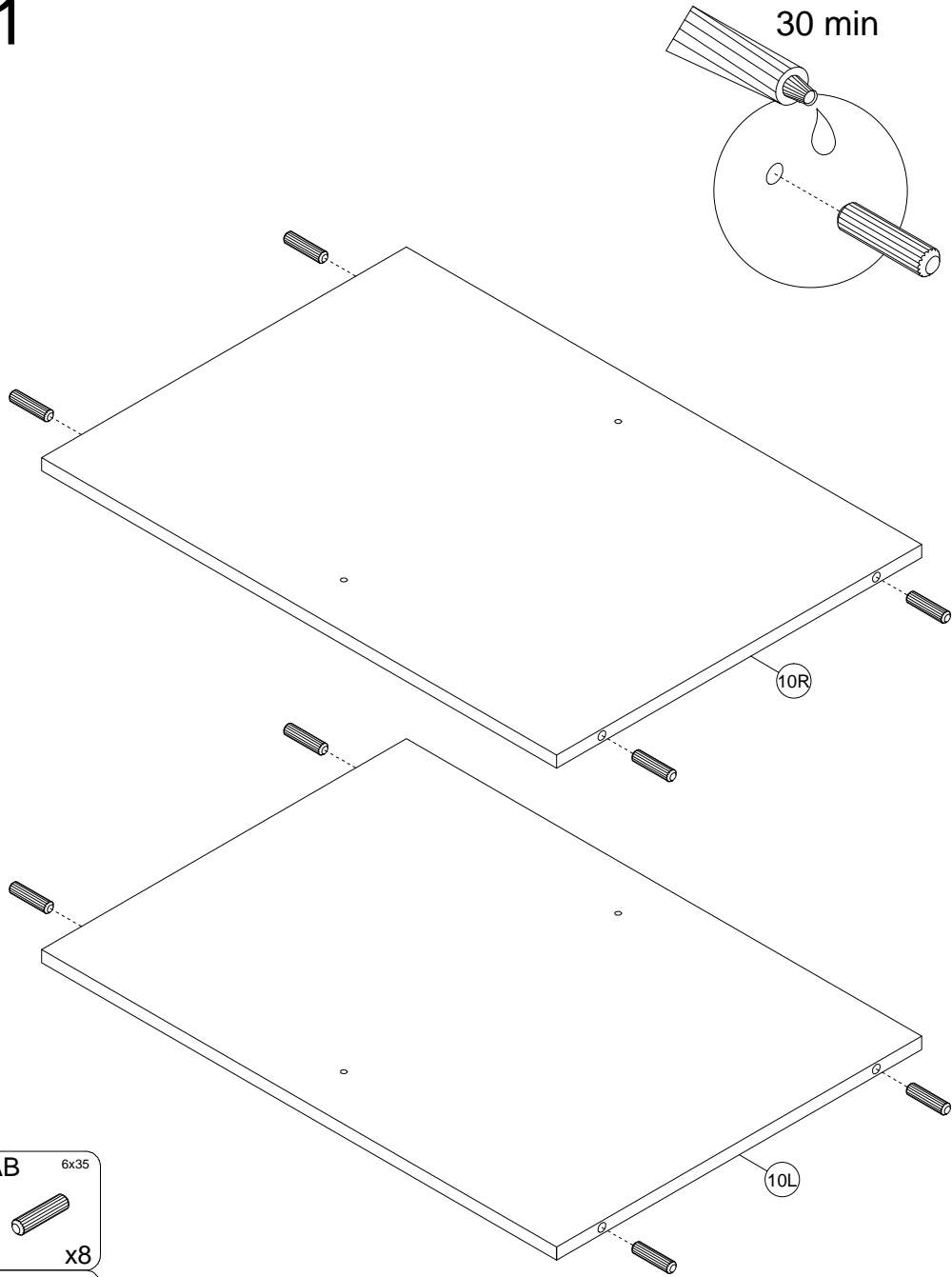
- (D) Montageanleitung
- (FR) Notice de montage
- (NL) Handleiding voor de montage
- (CZ) Montážní návod
- (HU) Szerelési útmutató
- (TR) Montaj talimati
- (GB) Assembly Instructions
- (IT) Istruzioni di montaggio
- (PL) Instrukcja montażu
- (SK) Návod na montáž
- (RO) Instrucțiuni de montaj
- (RU) Инструкции по монтажу

1	1000	399	18	x1	1 / 2
2L	981	380	16	x1	1 / 2
2R	981	380	16	x1	1 / 2
3	981	365	16	x1	1 / 2
4	1000	399	18	x1	1 / 2
5	491	365	16	x1	2 / 2
6	484	365	16	x1	2 / 2
7A	484	350	16	x1	2 / 2
7B	468	350	16	x1	2 / 2
8	468	100	16	x2	2 / 2
9	468	365	16	x1	2 / 2
10L	465	383	12	x1	1 / 2
10R	465	383	12	x1	1 / 2
11	248	383	12	x1	1 / 2
12	248	383	12	x1	1 / 2

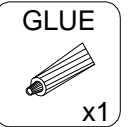
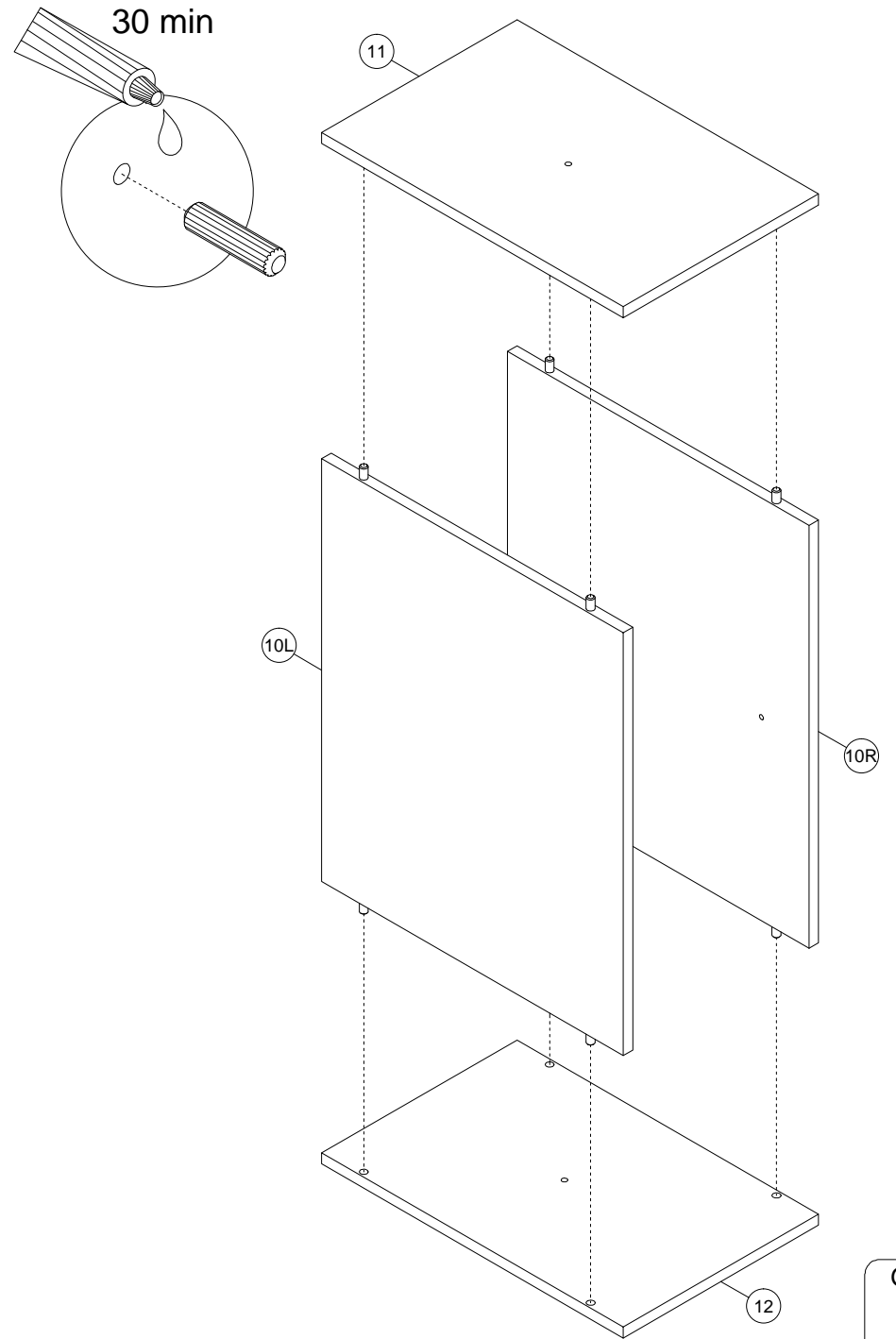
13	224	360	12	x1	1 / 2
14	496	486	16	x1	2 / 2
15	496	486	16	x1	2 / 2
16	246	486	16	x1	2 / 2
17	950	40	15	x2	1 / 2
18	200	30	x4	2 / 2	
19	266	40	15	x2	2 / 2
20	419	85	12	x3	2 / 2
21	496	160	16	x3	2 / 2
22L	350	100	16	x3	2 / 2
22R	350	100	16	x3	2 / 2
23	427	357	2.5	x3	1 / 2
24	993	280	2.5	x1	1 / 2
24A	993	296	2.5	x1	1 / 2
25	993	200	2.5	x2	1 / 2



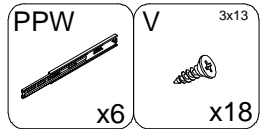
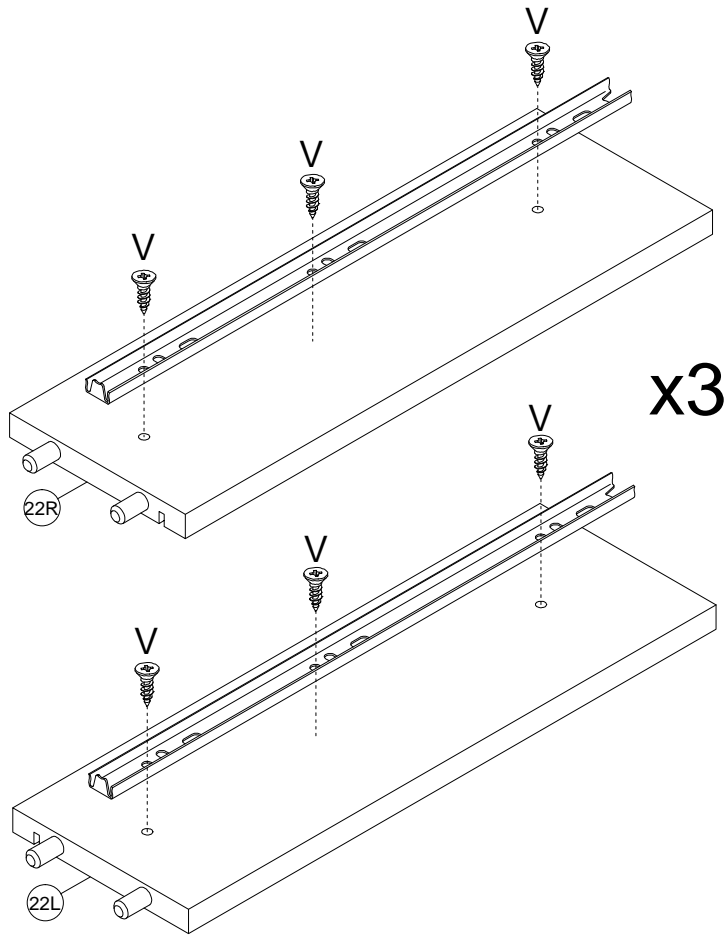
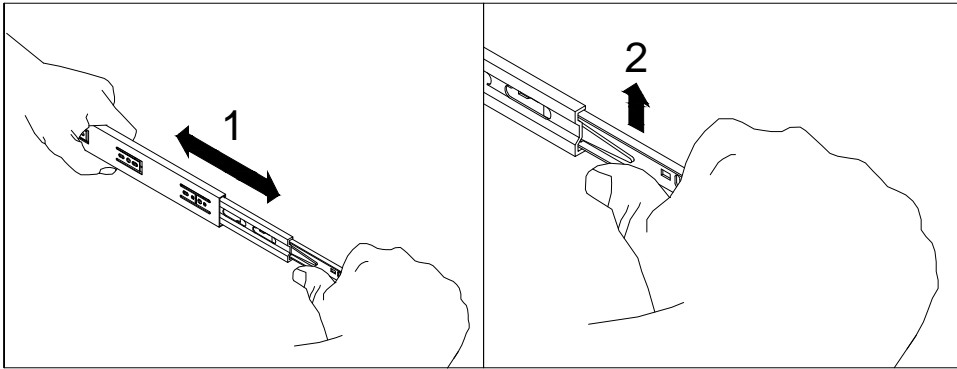
1



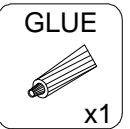
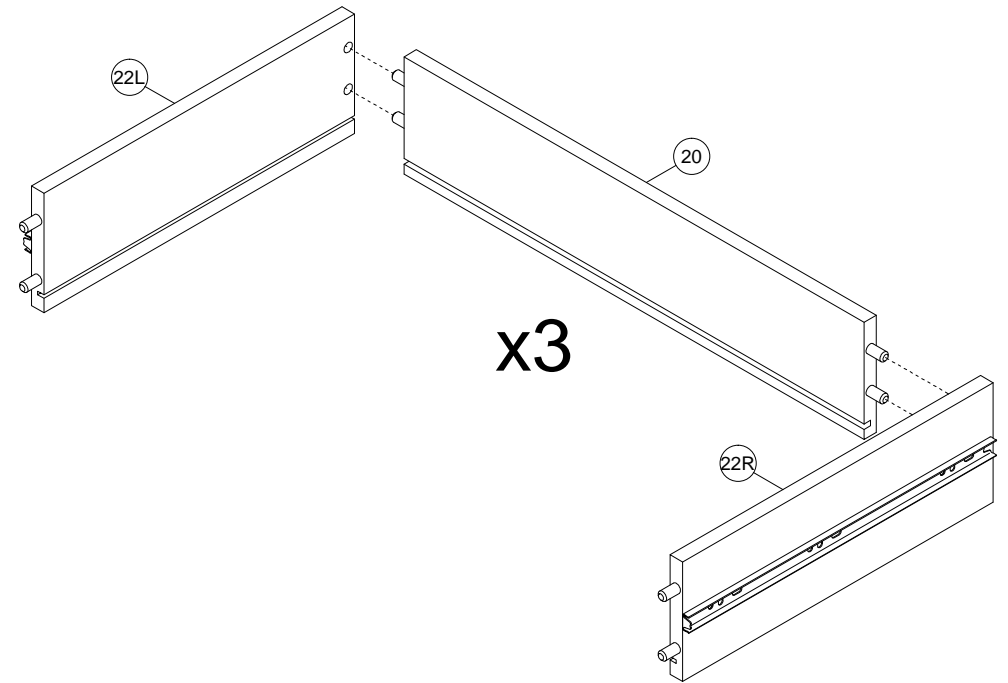
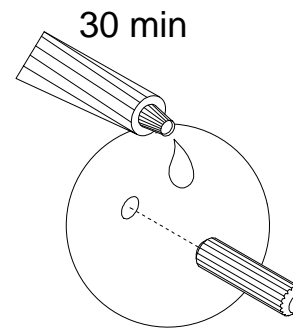
2



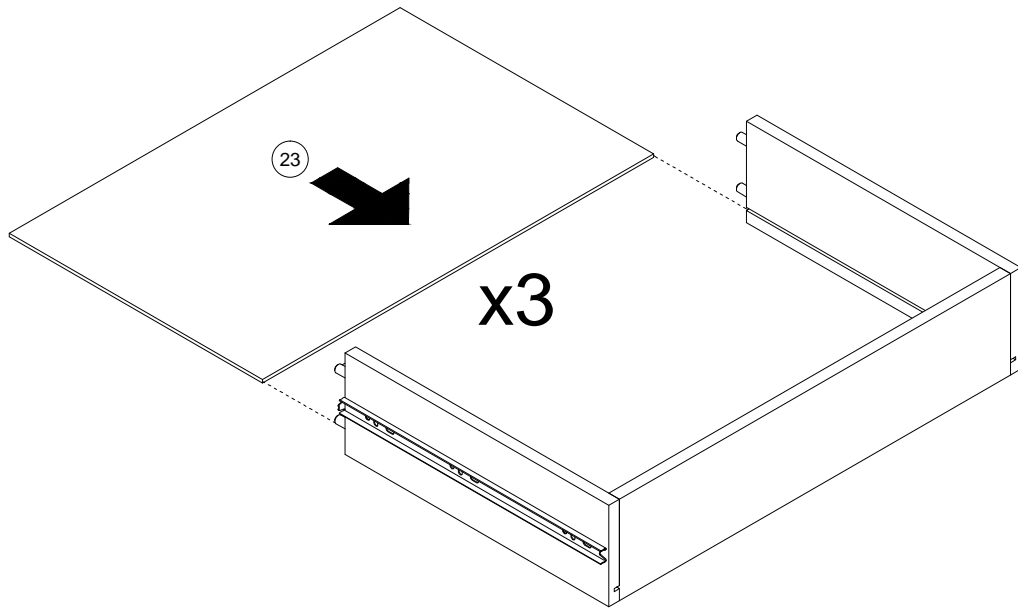
3



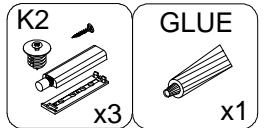
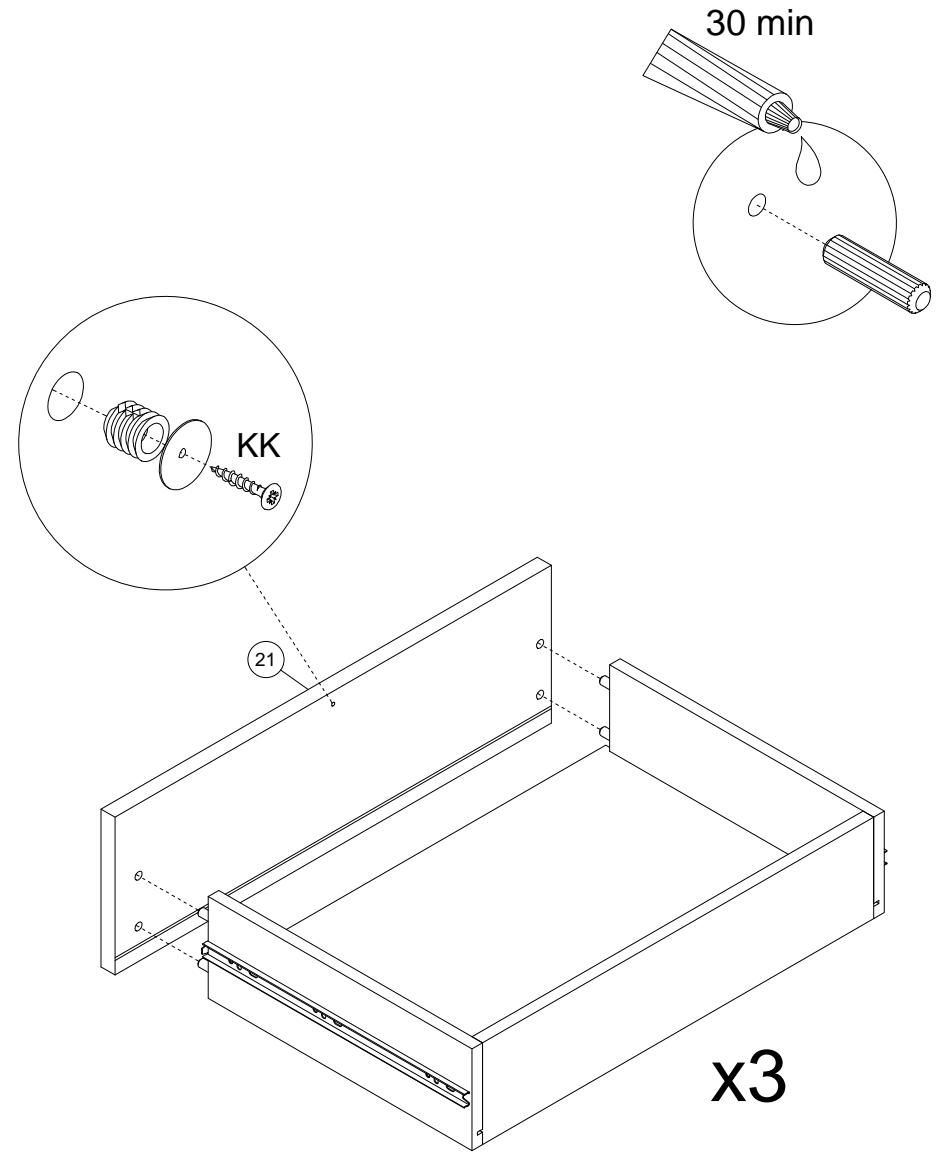
4

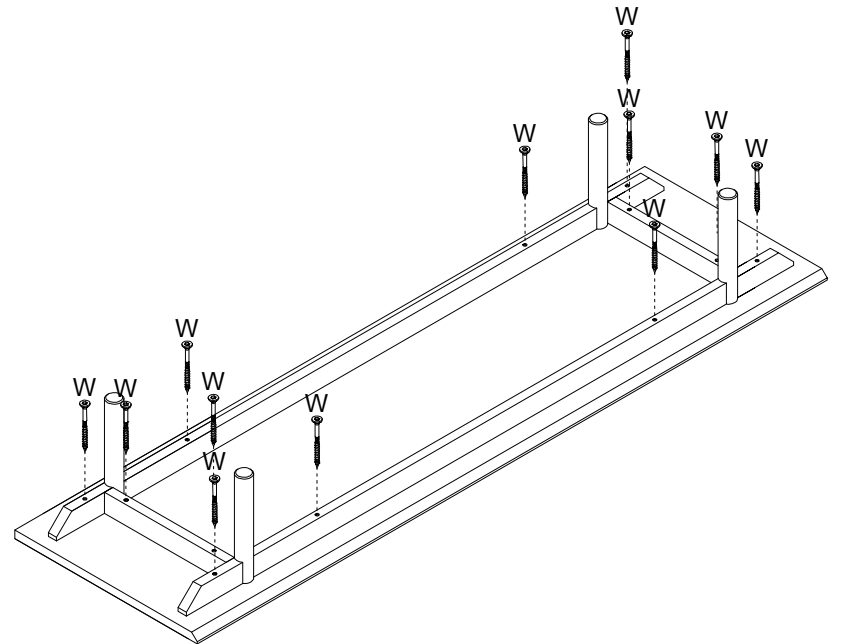
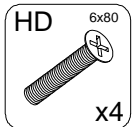
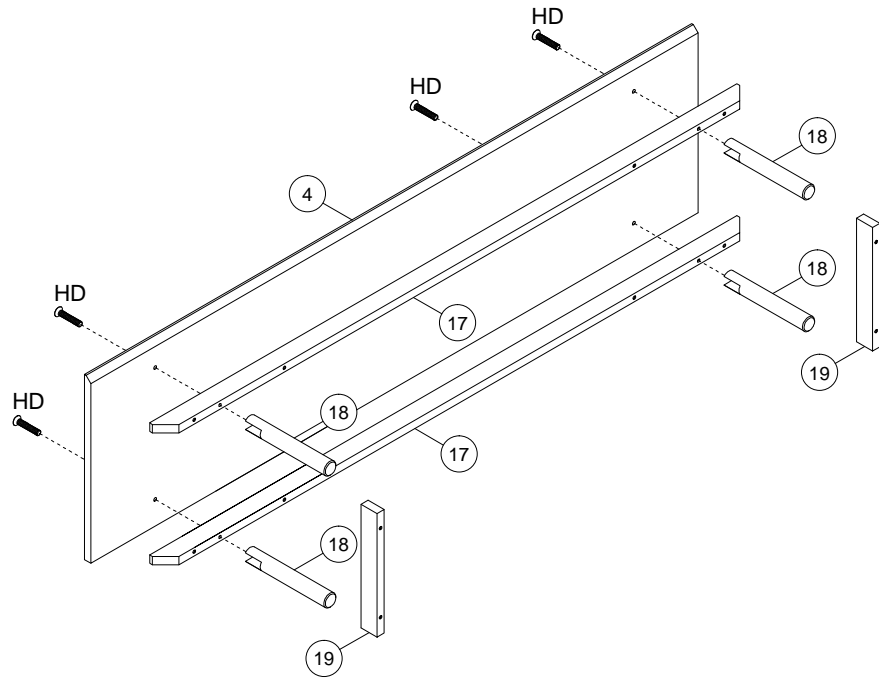


5

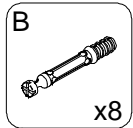
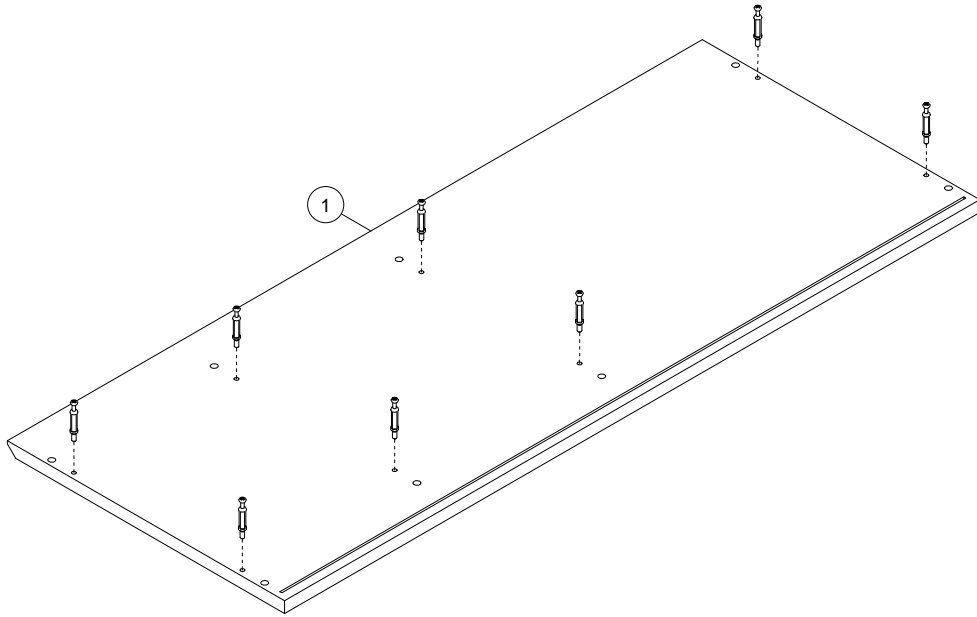
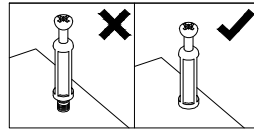


6

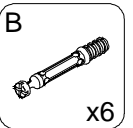
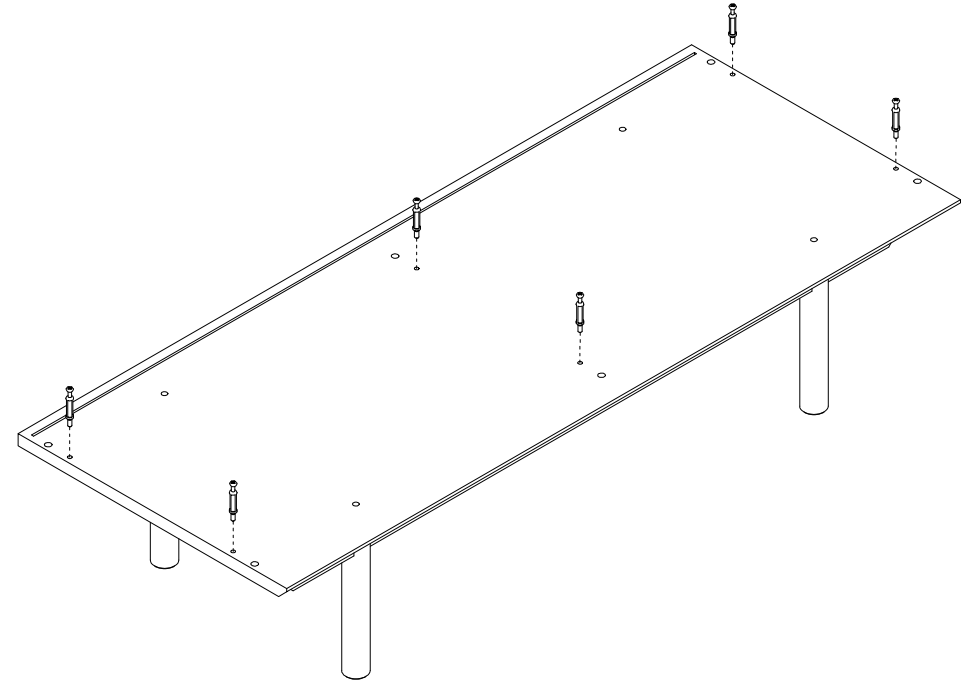
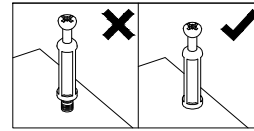




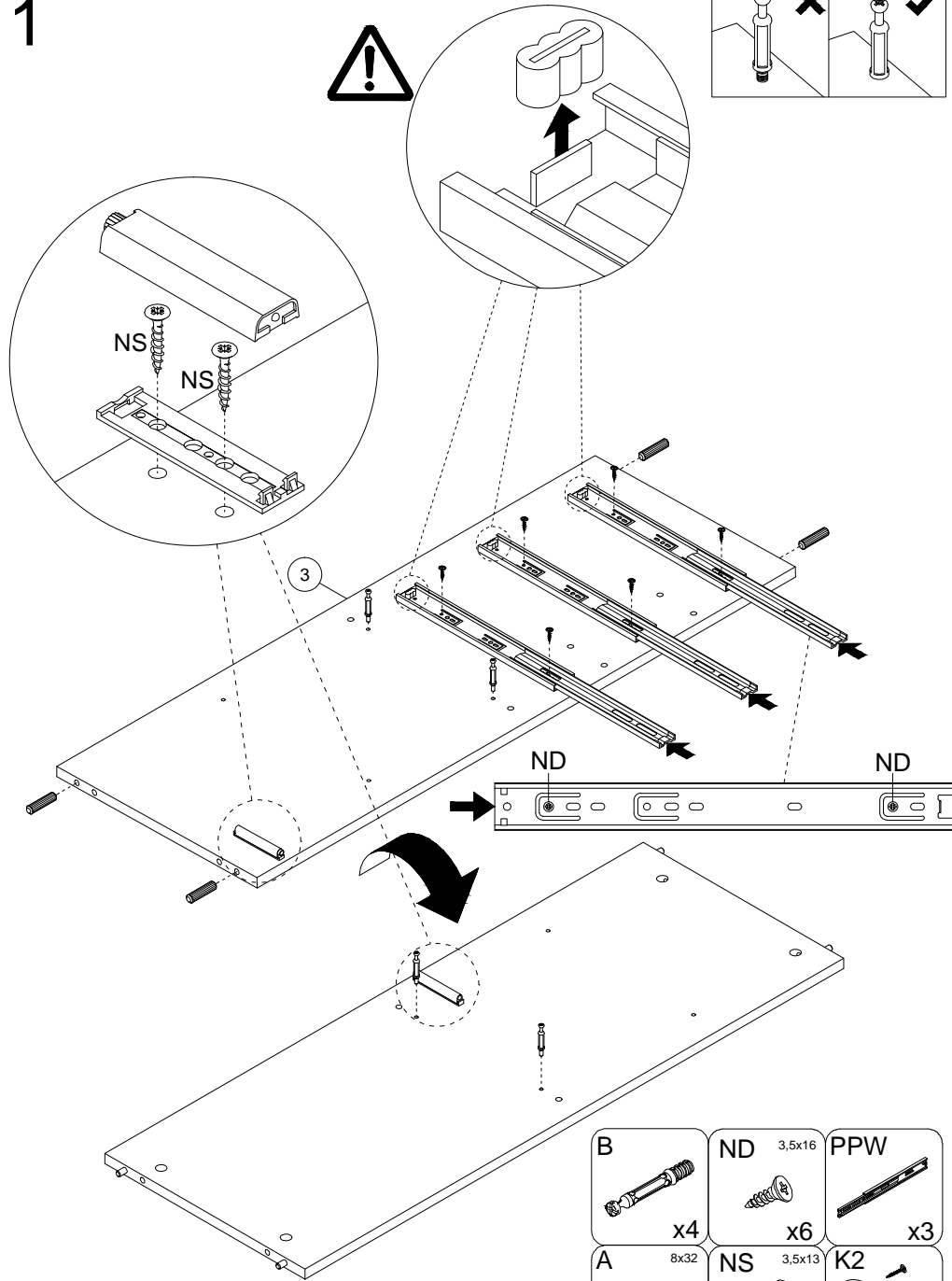
9



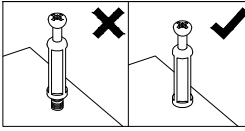
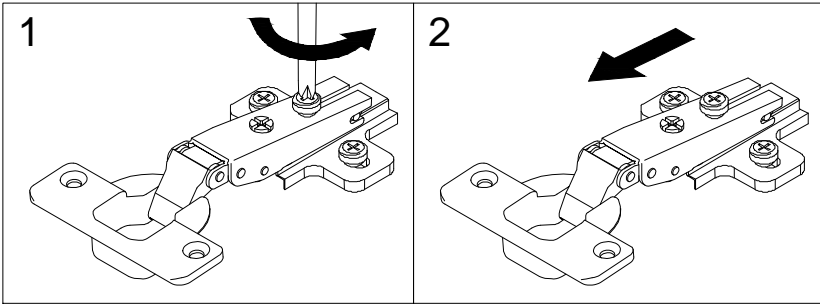
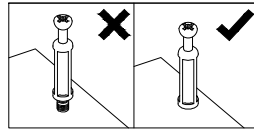
10



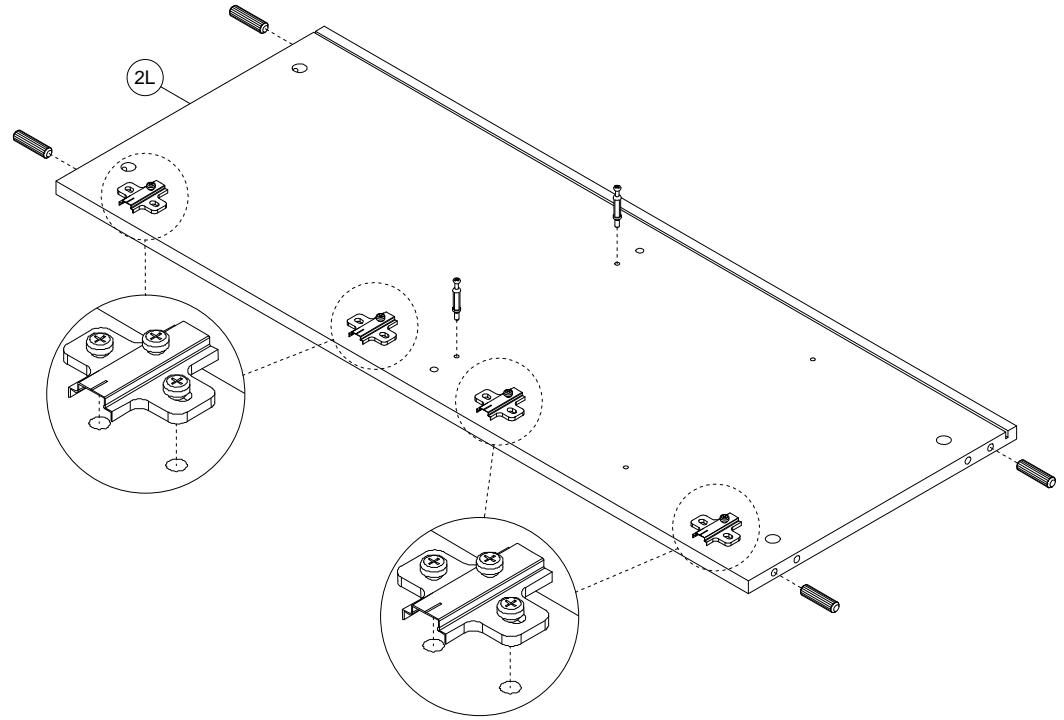
11



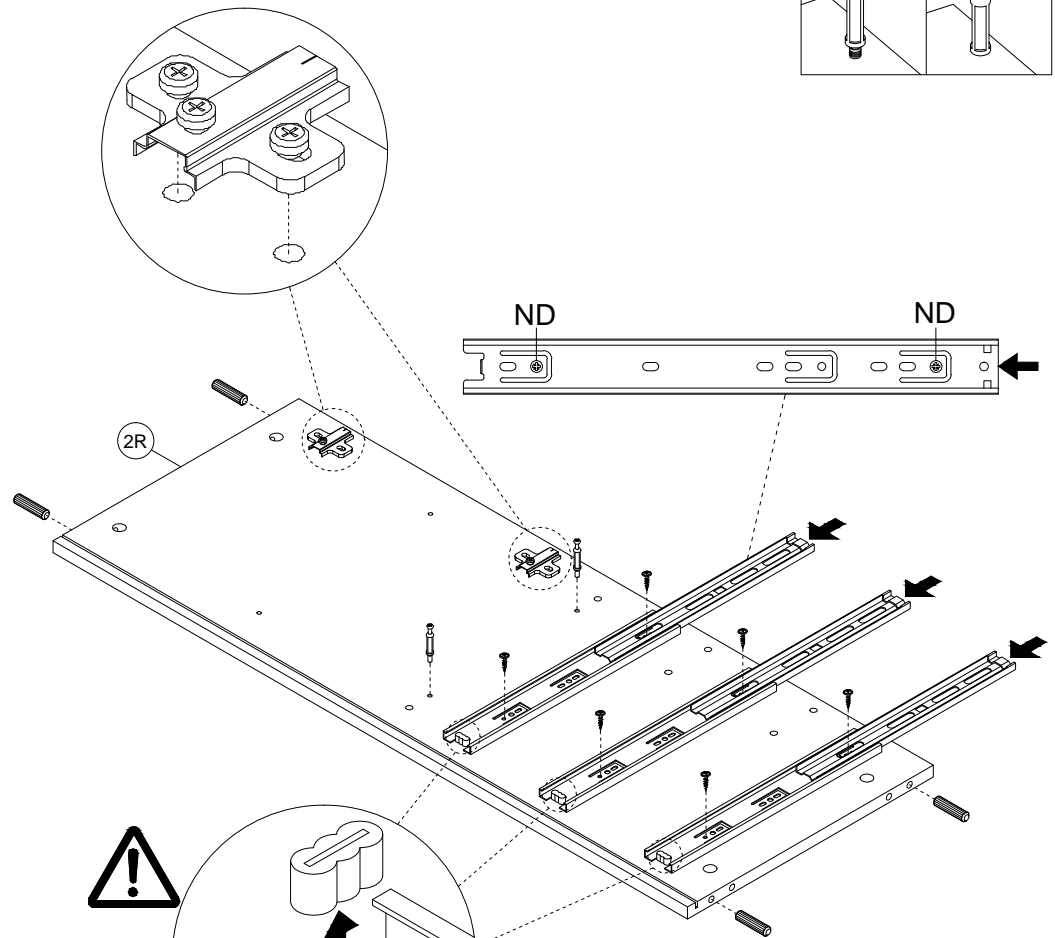
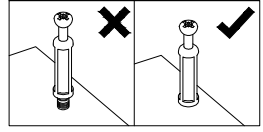
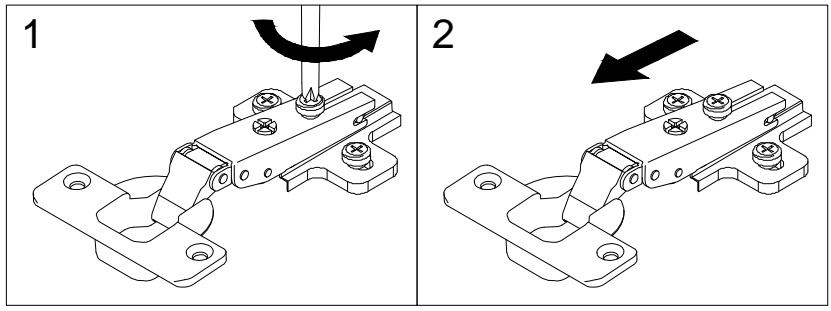
- | | | |
|----------------|------------------------|------------------|
| B
x4 | ND 3,5x16
x6 | PPW
x3 |
| A
x4 | NS 3,5x13
x4 | K2
x2 |



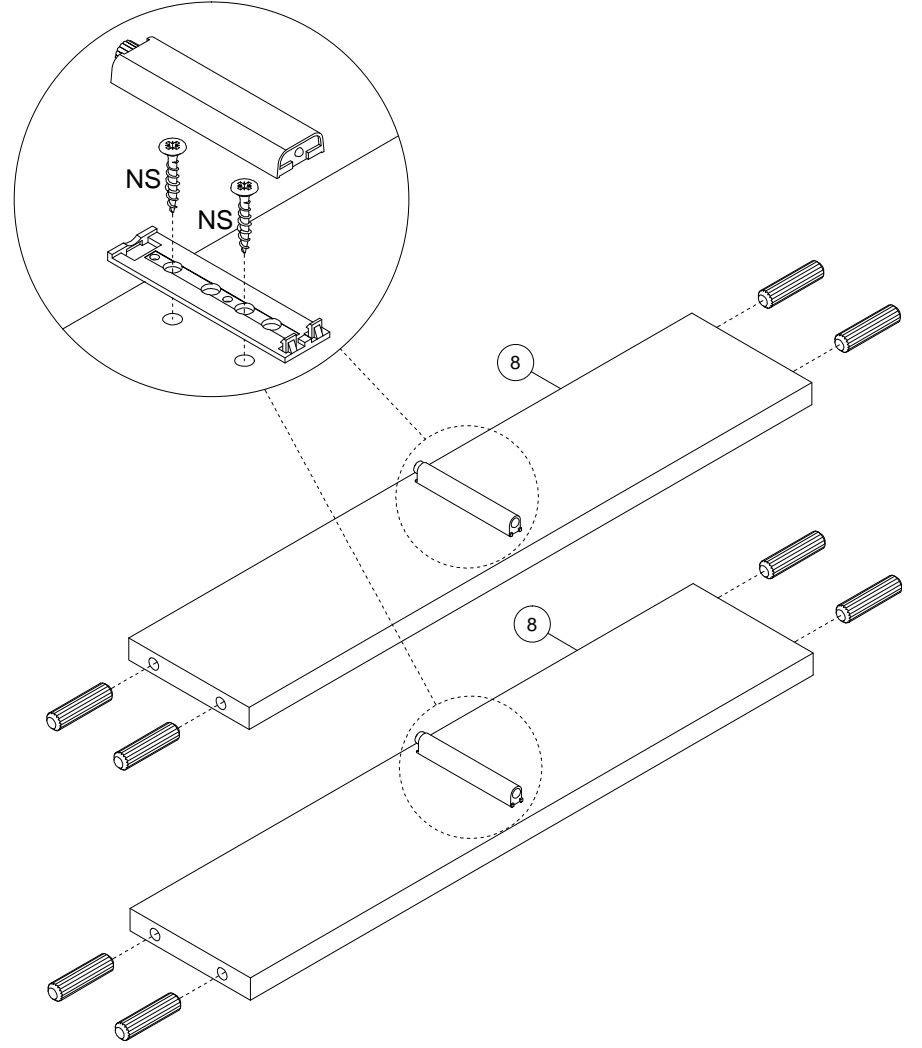
12



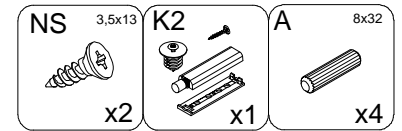
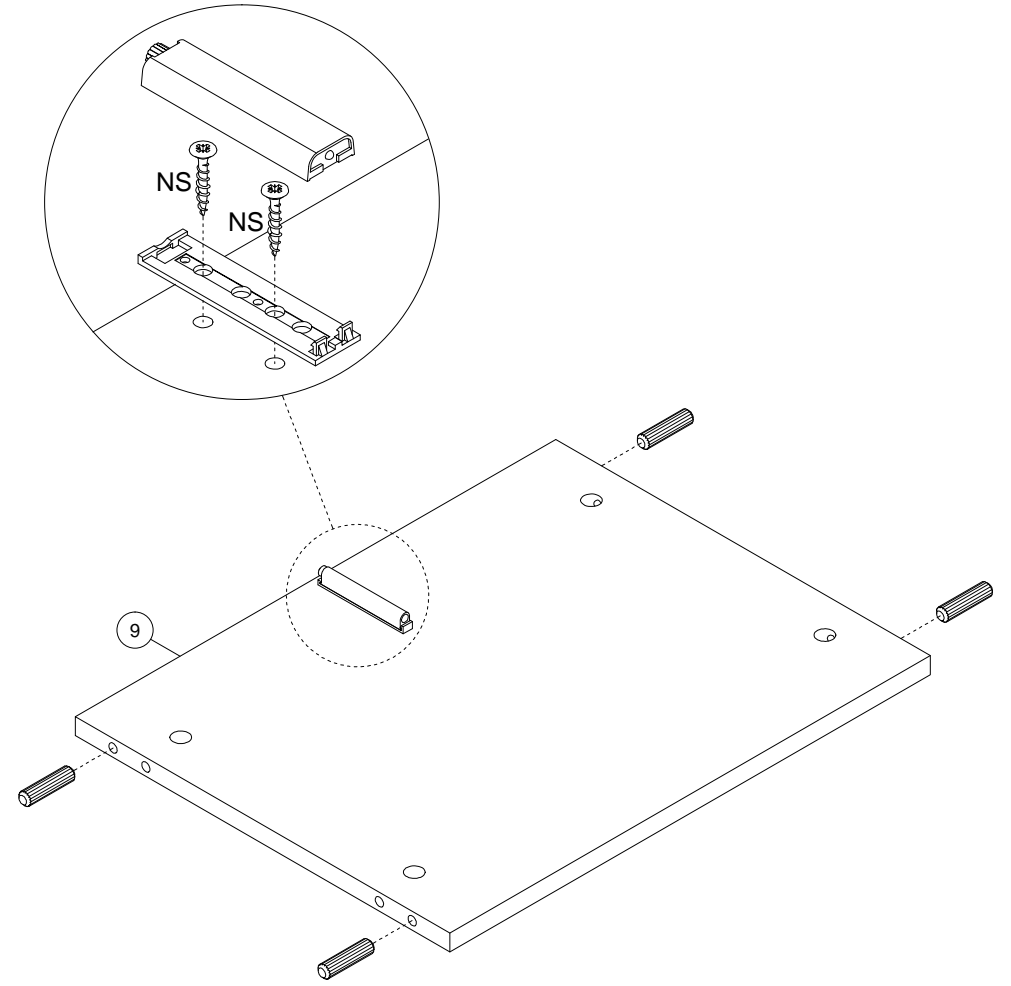
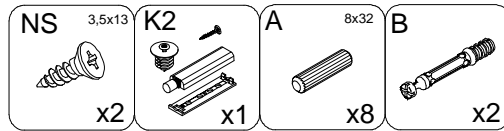
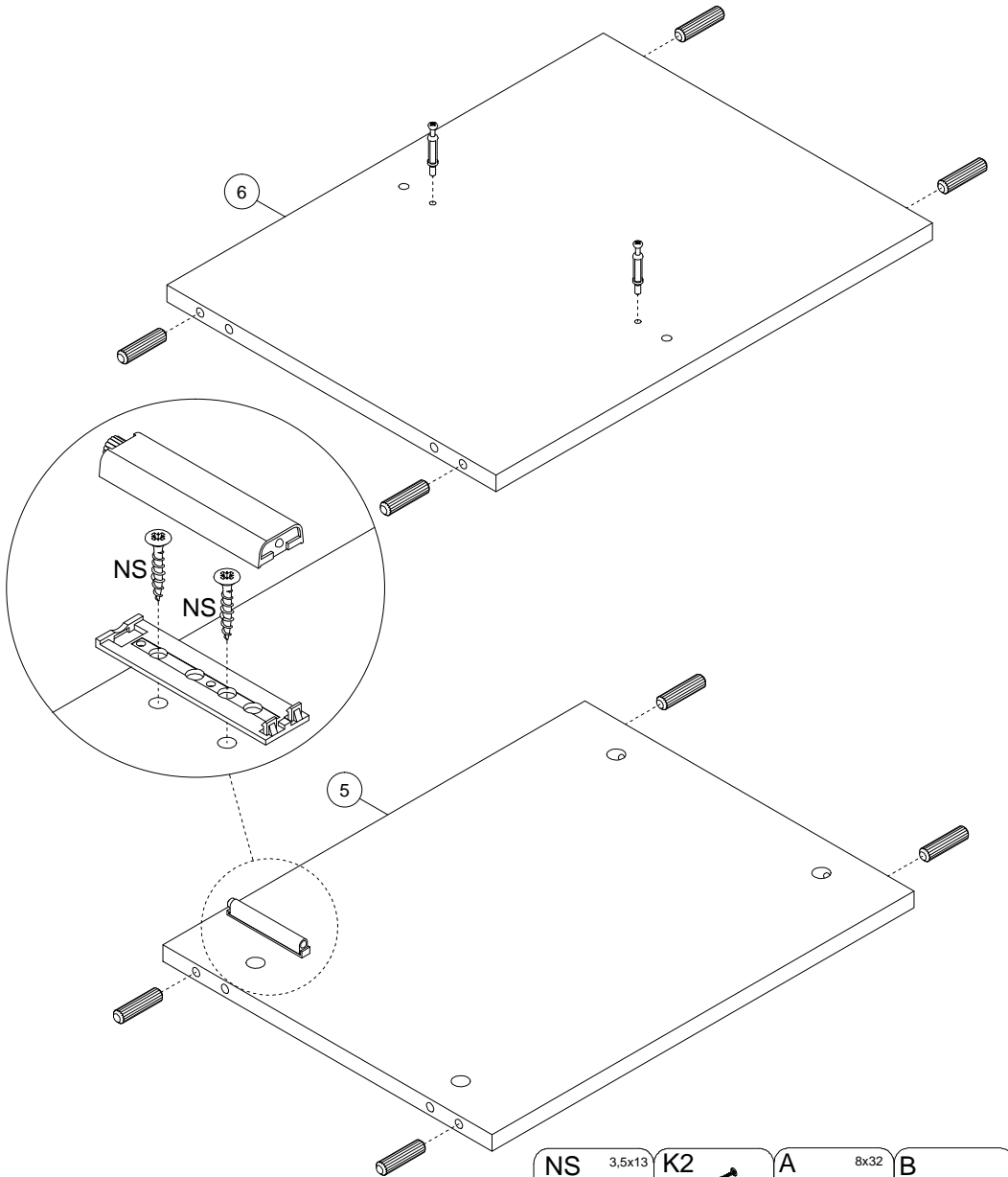
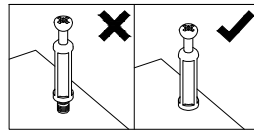
- | | | |
|----------------|----------------|-------------------|
| A
x4 | B
x2 | P+H0
x4 |
|----------------|----------------|-------------------|



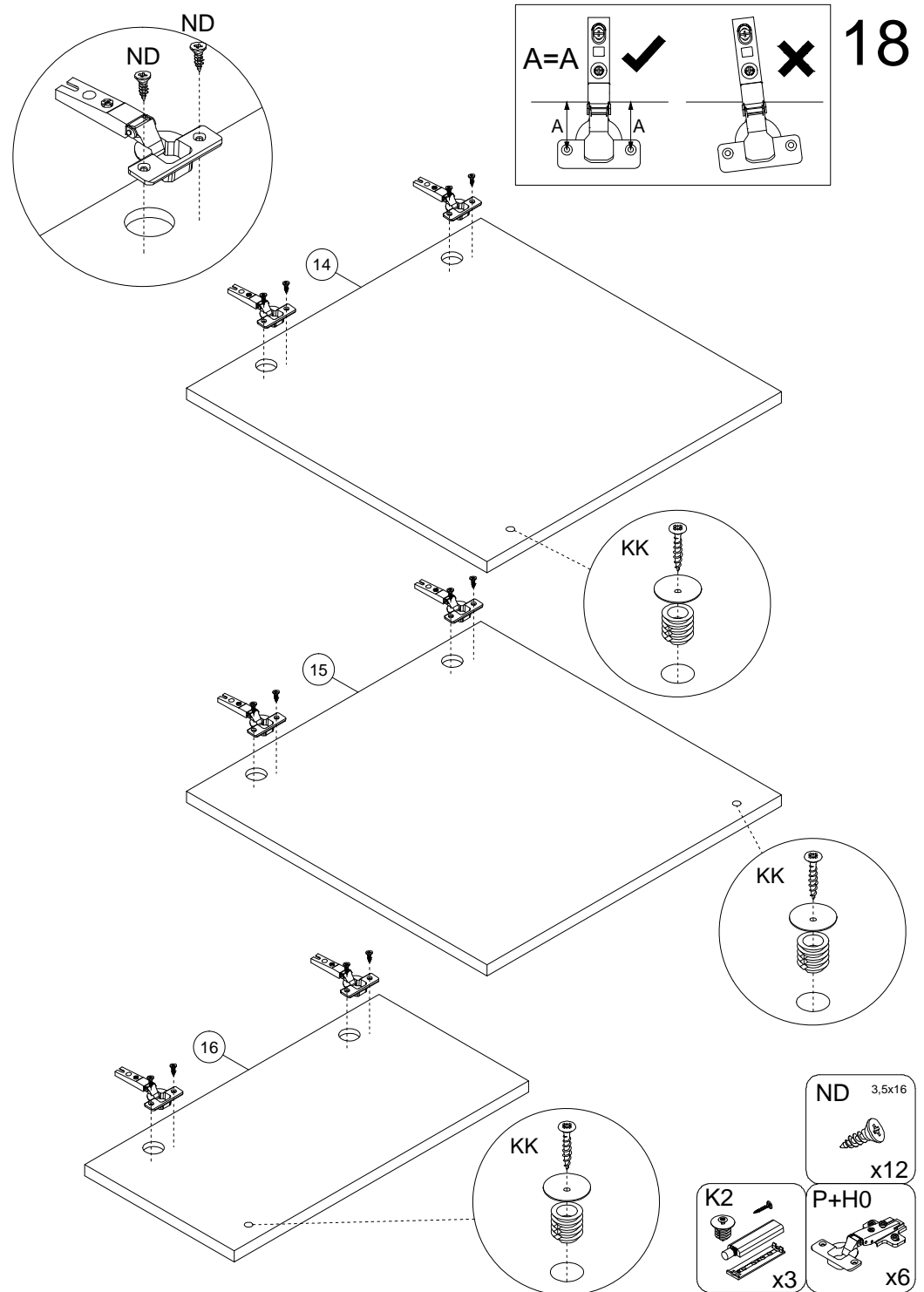
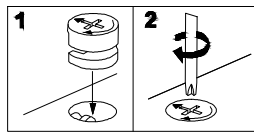
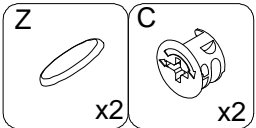
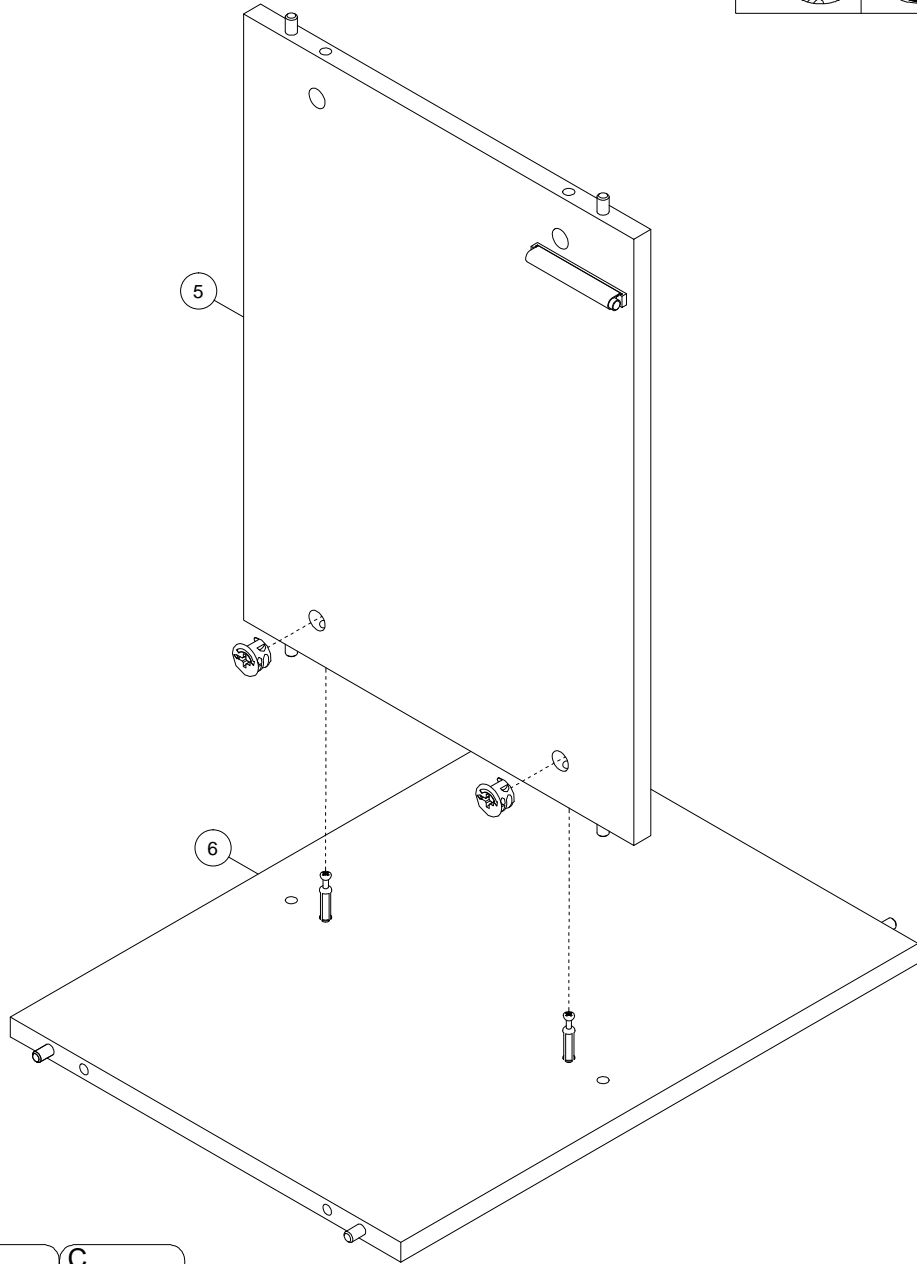
- | | |
|----|--------|
| ND | 3.5x16 |
| x6 | |
- | | |
|----|------|
| A | 8x32 |
| x4 | |
- | | |
|----|--|
| B | |
| x2 | |
- | | |
|------|--|
| P+H0 | |
| x2 | |



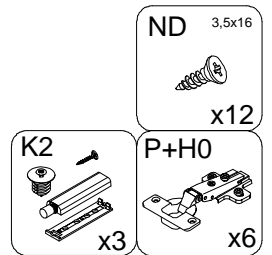
- | | |
|----|--------|
| NS | 3.5x13 |
| x4 | |
- | | |
|----|--|
| K2 | |
| x2 | |
- | | |
|----|------|
| A | 8x32 |
| x8 | |



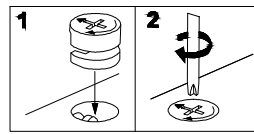
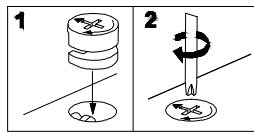
17



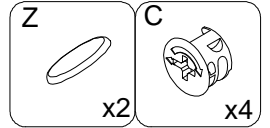
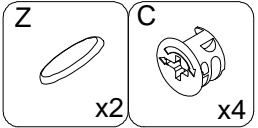
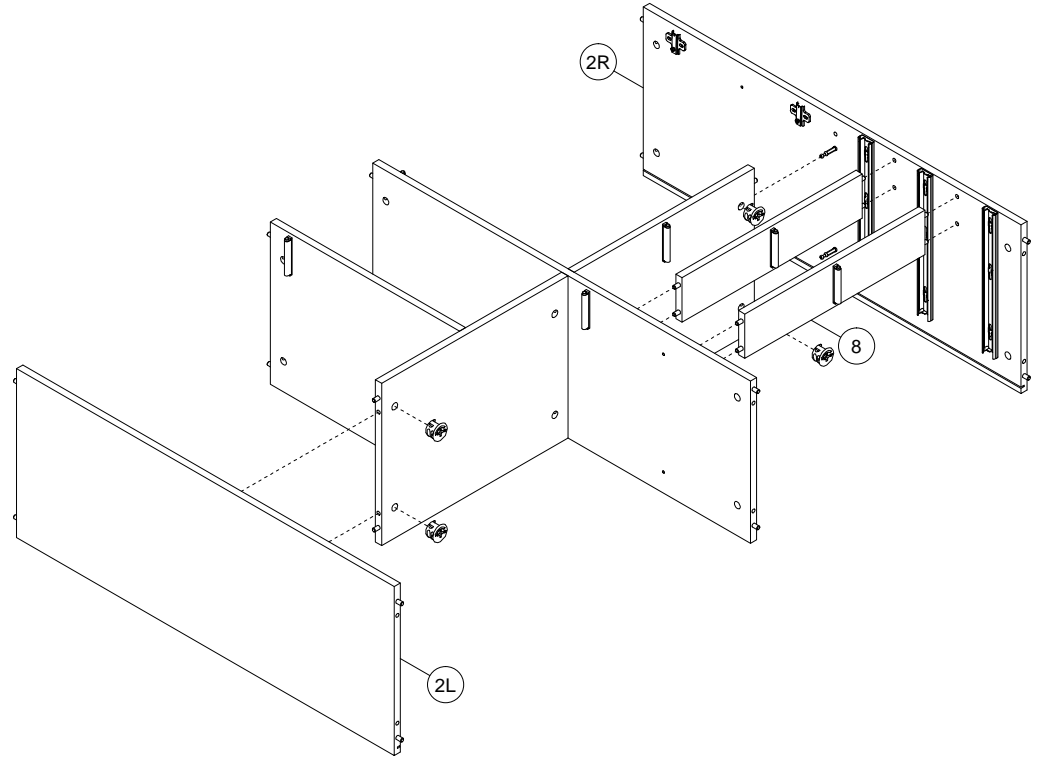
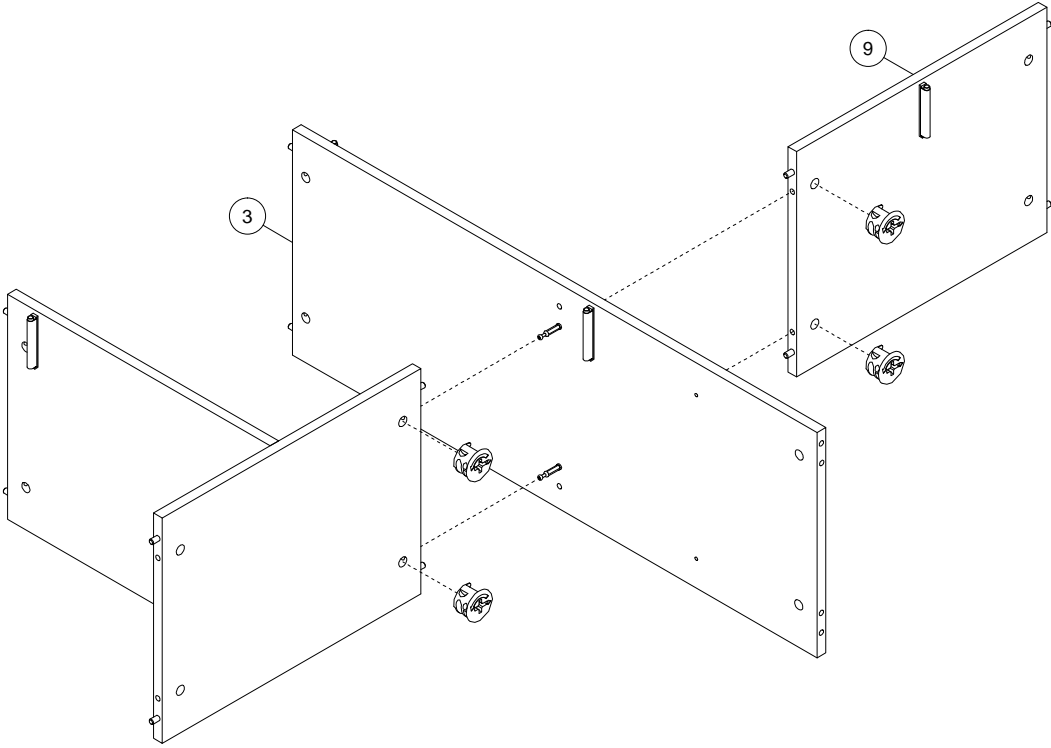
18



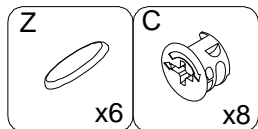
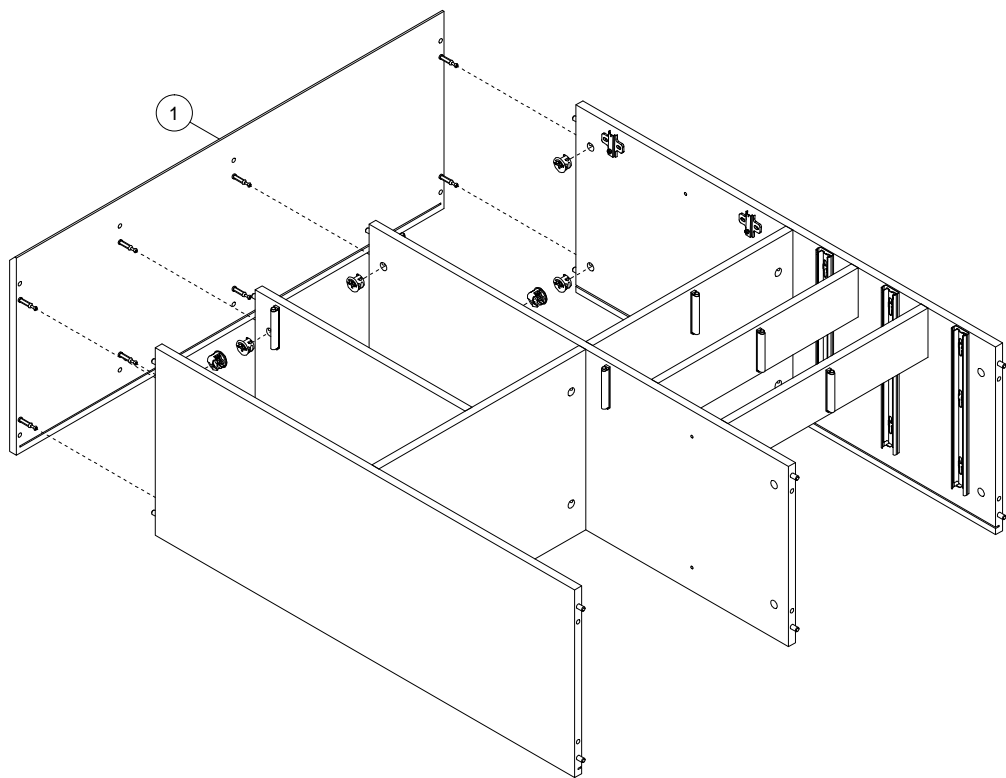
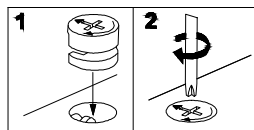
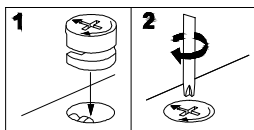
19



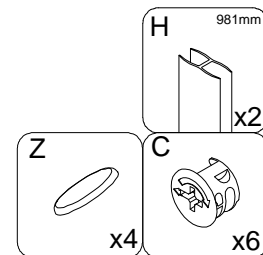
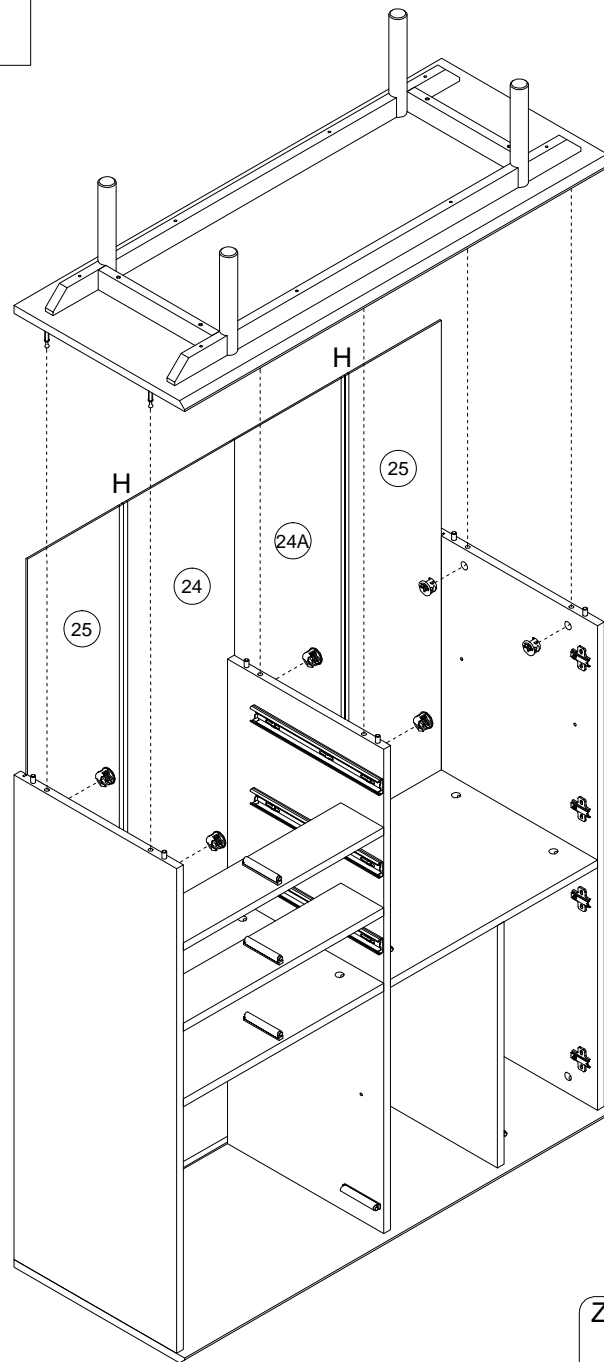
20



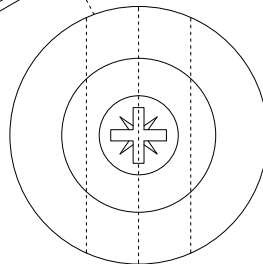
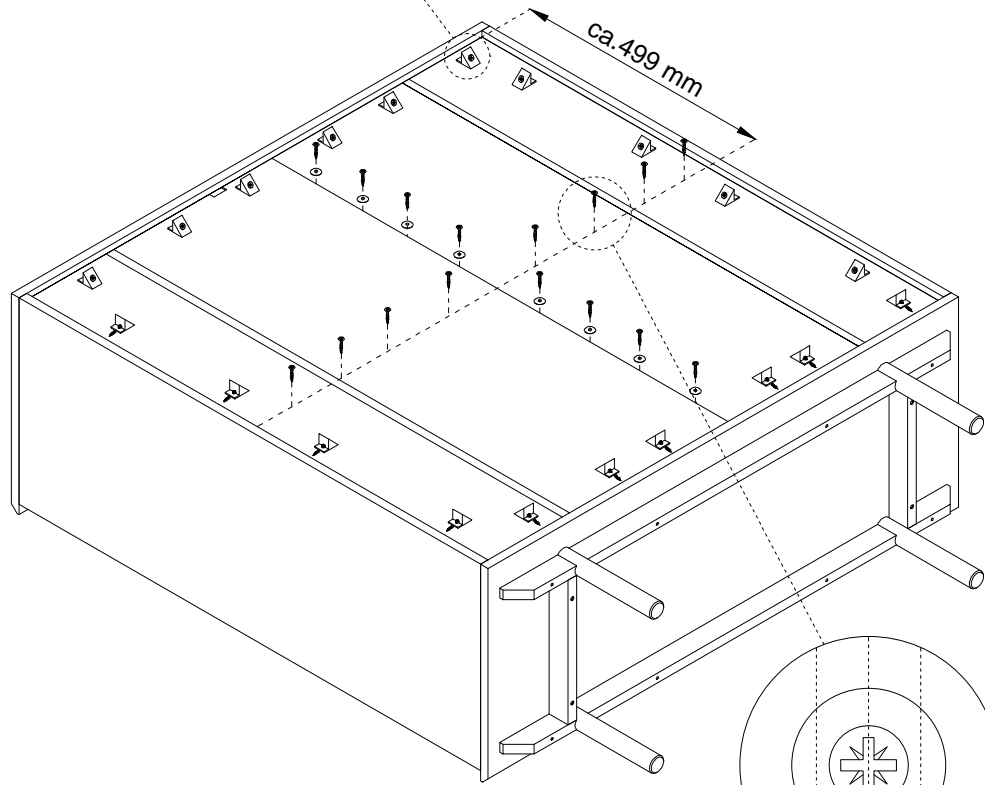
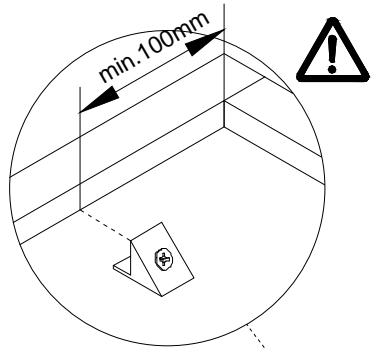
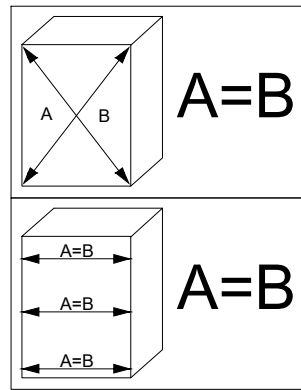
21



22

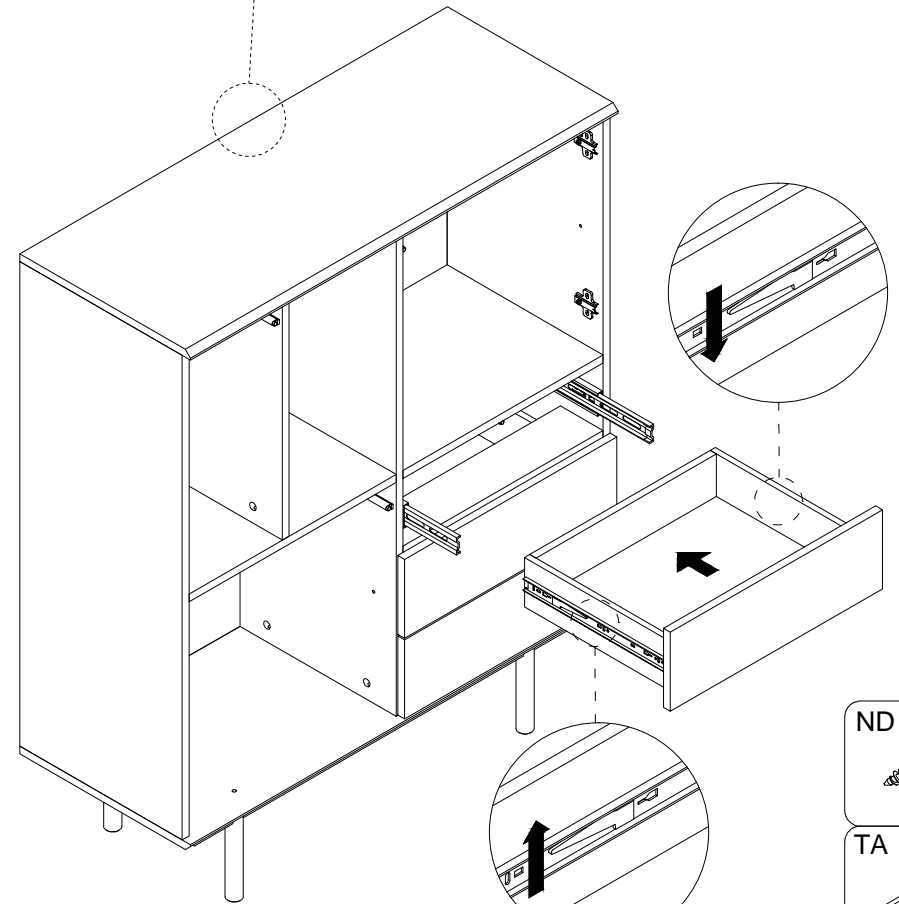
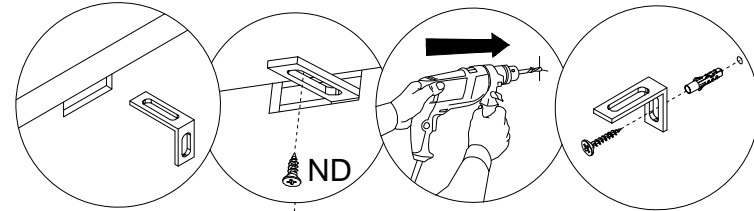
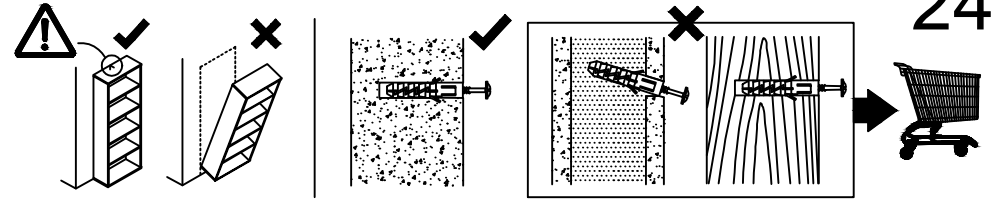


23



- N** 3x20 x16
- X** x20
- ZC** x8

24



- ND** 3,5x16 x1

- TA** x1

