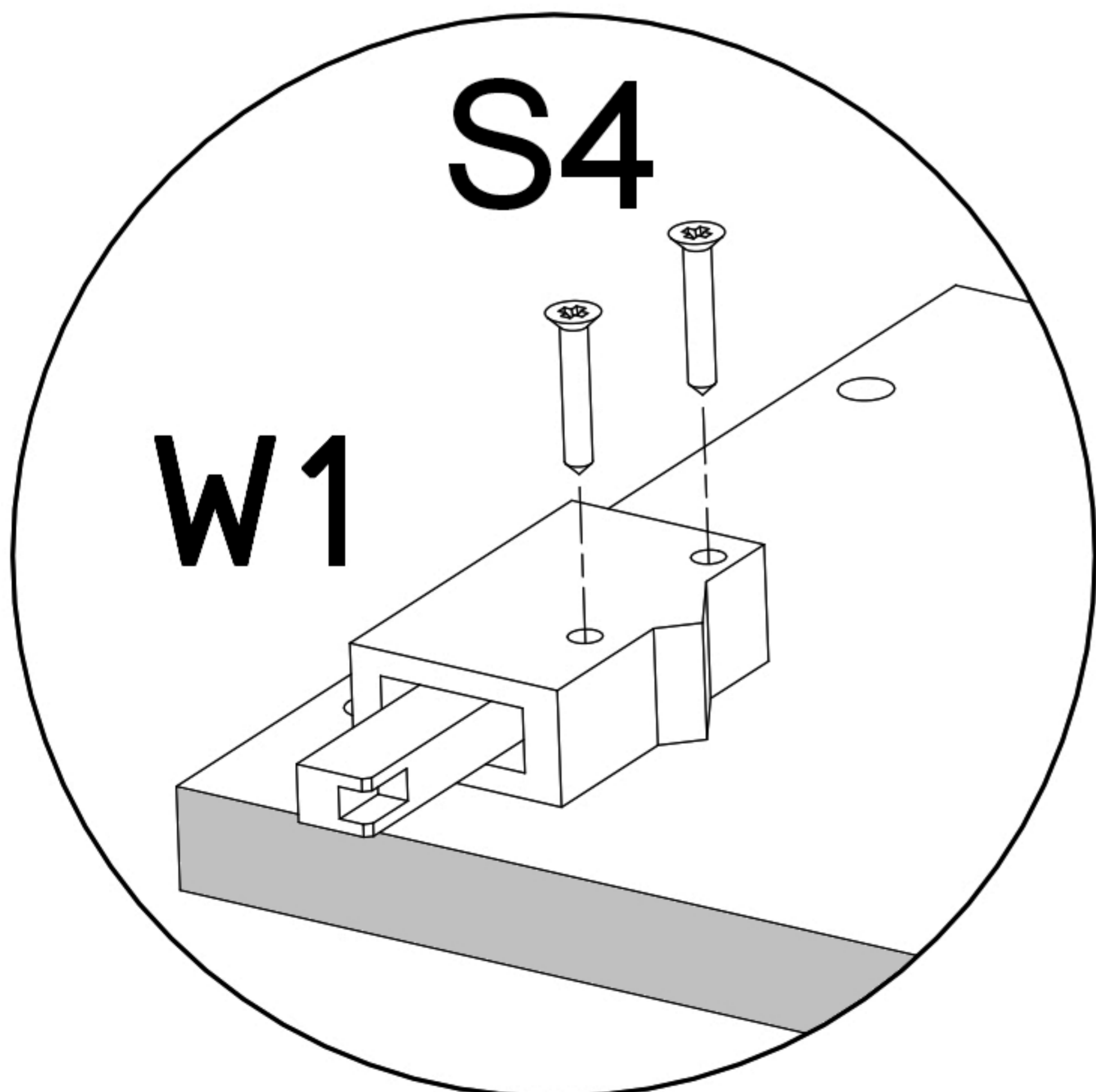
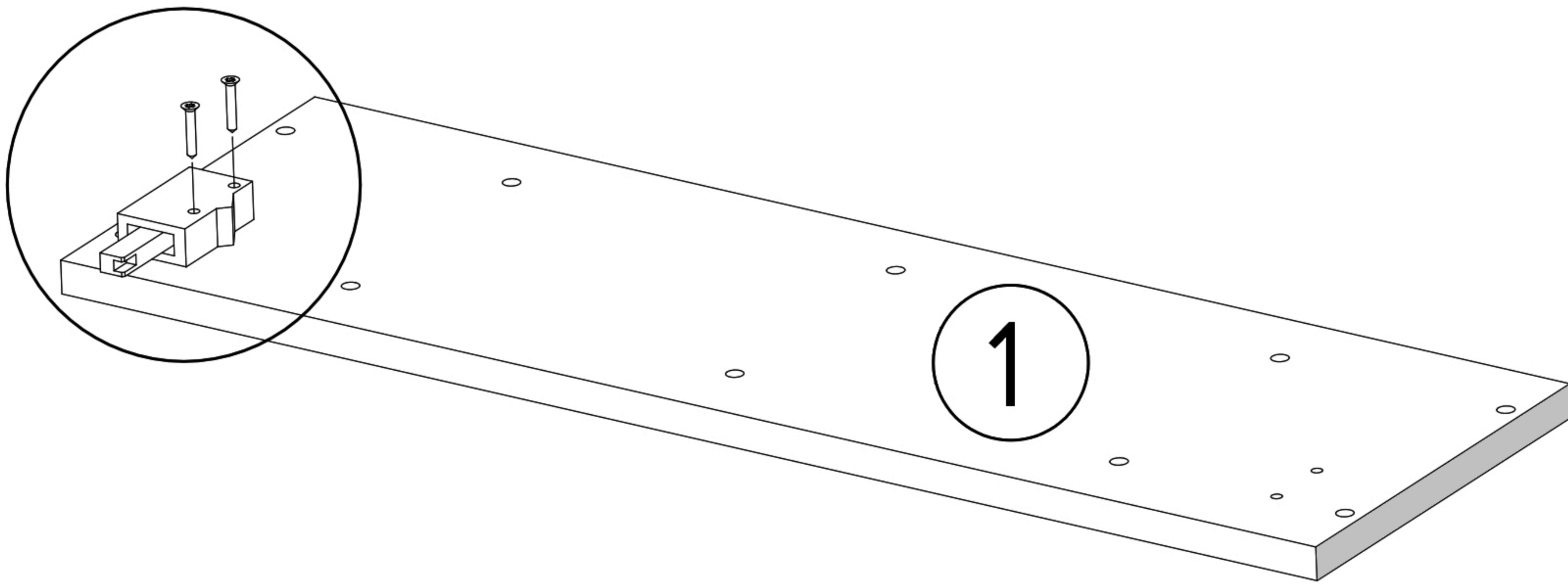
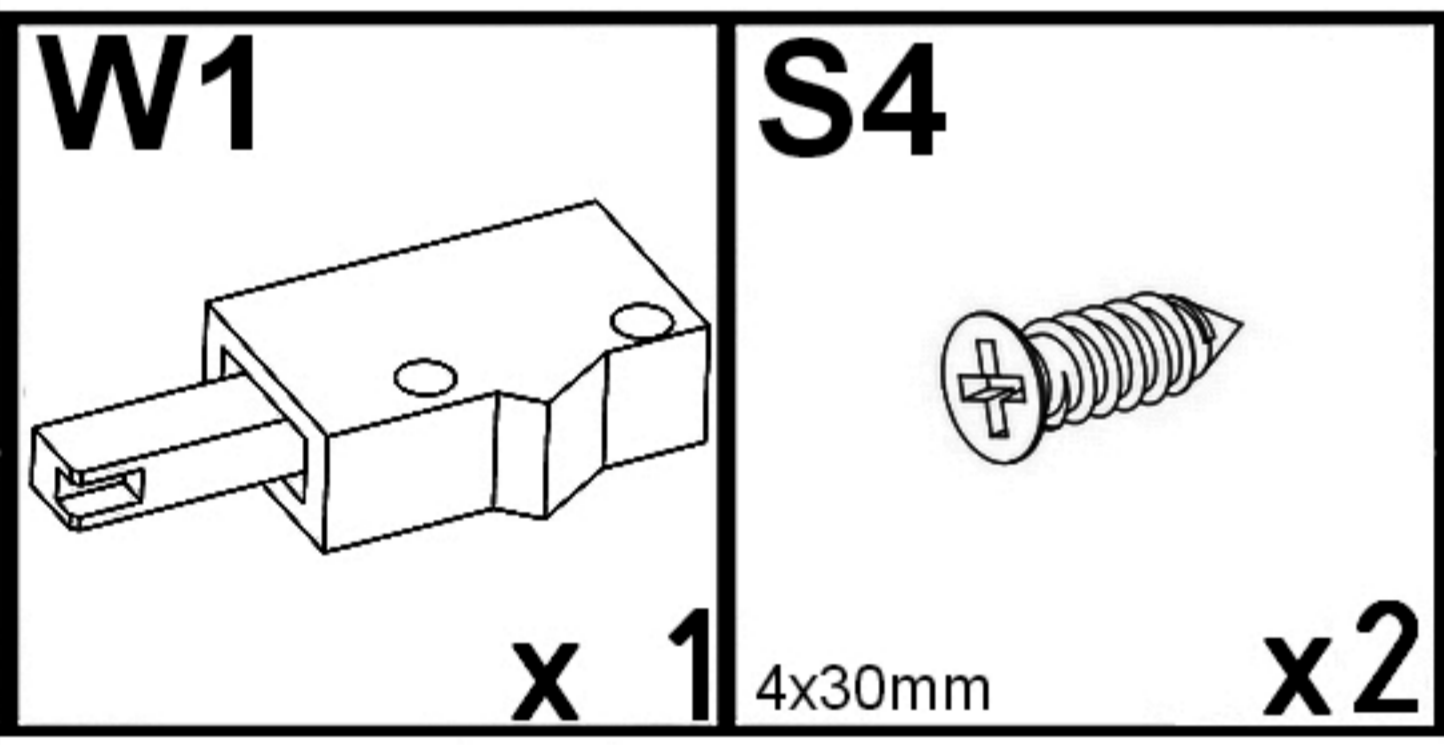
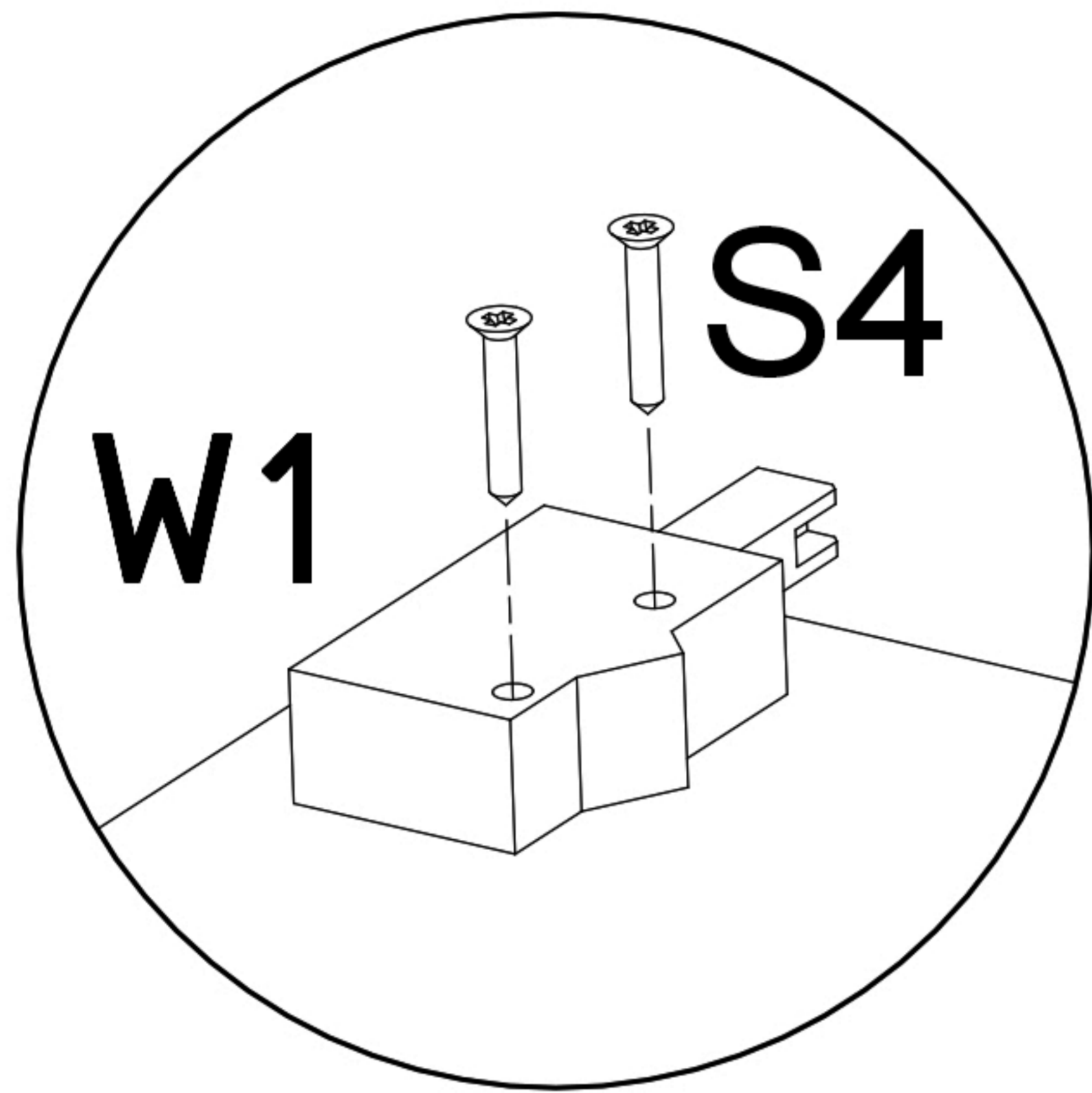
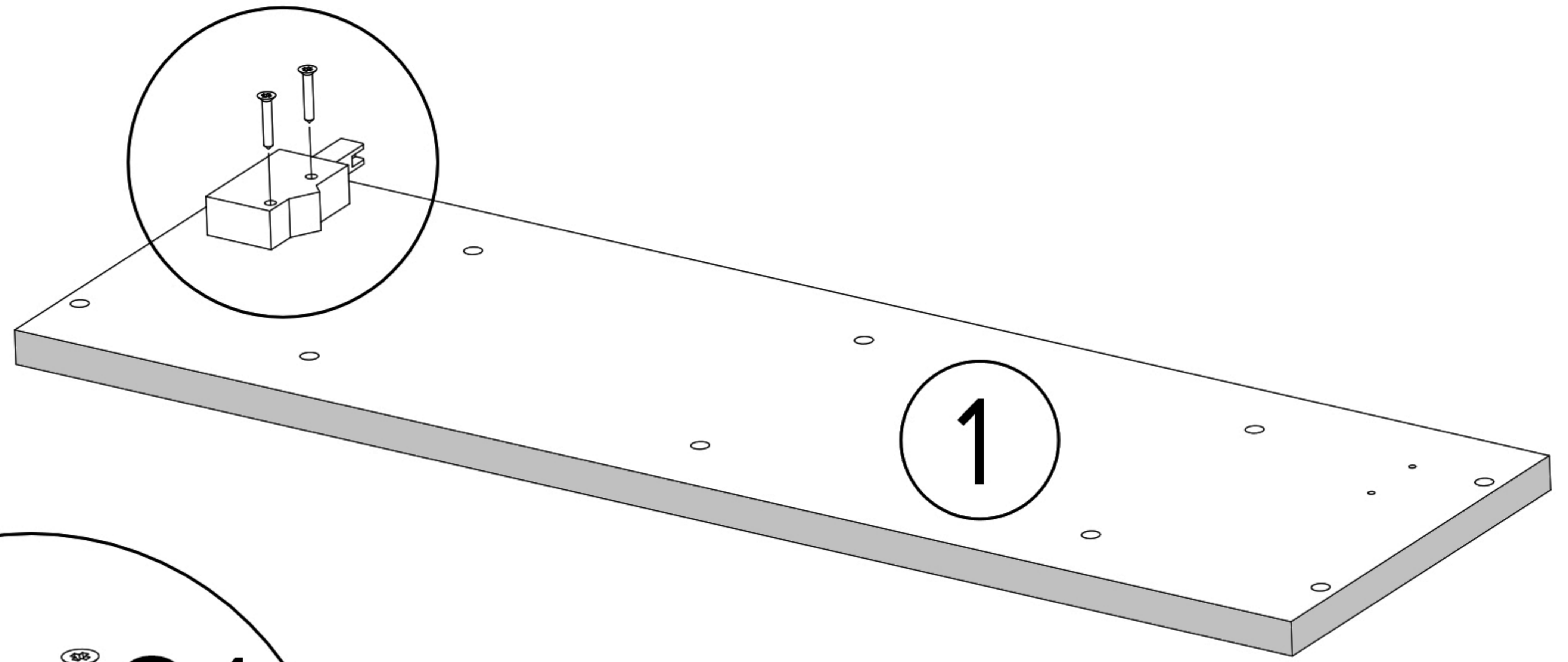
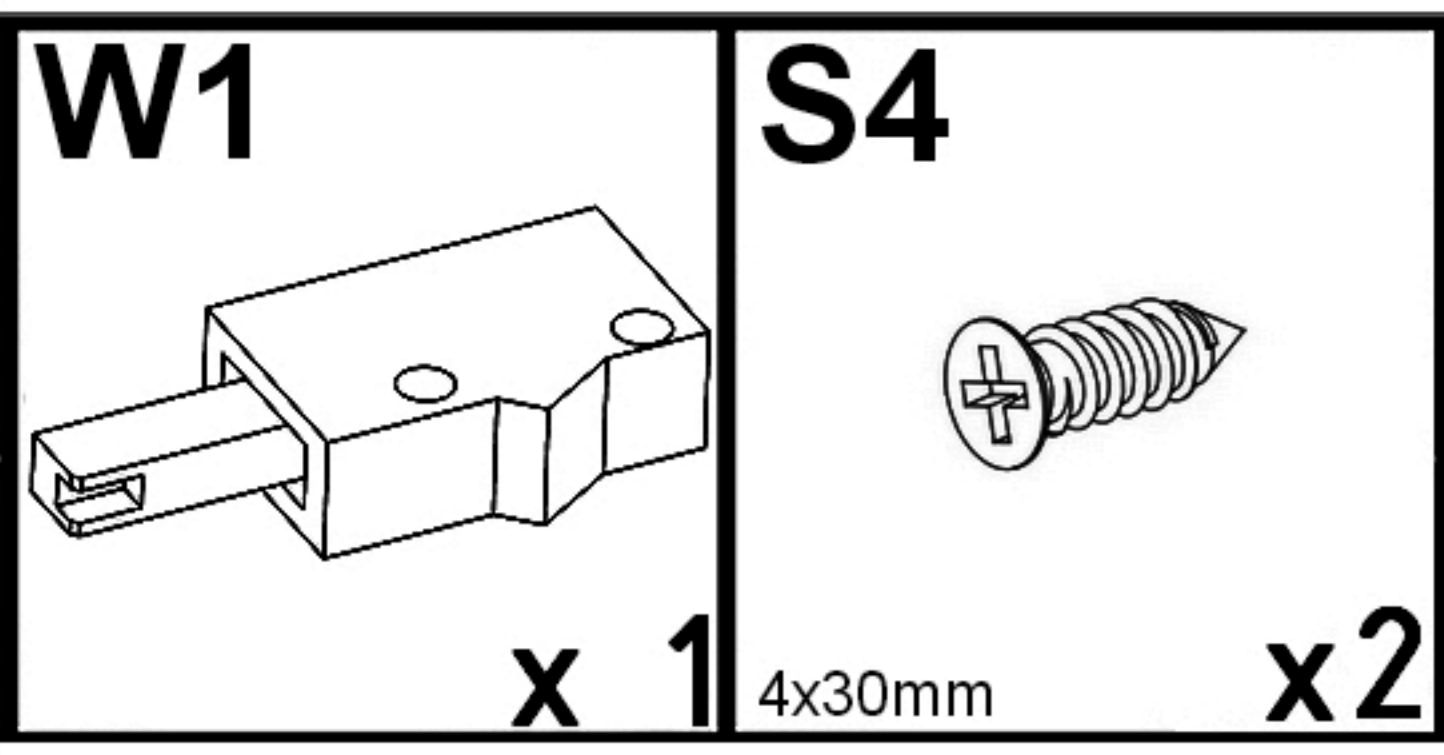
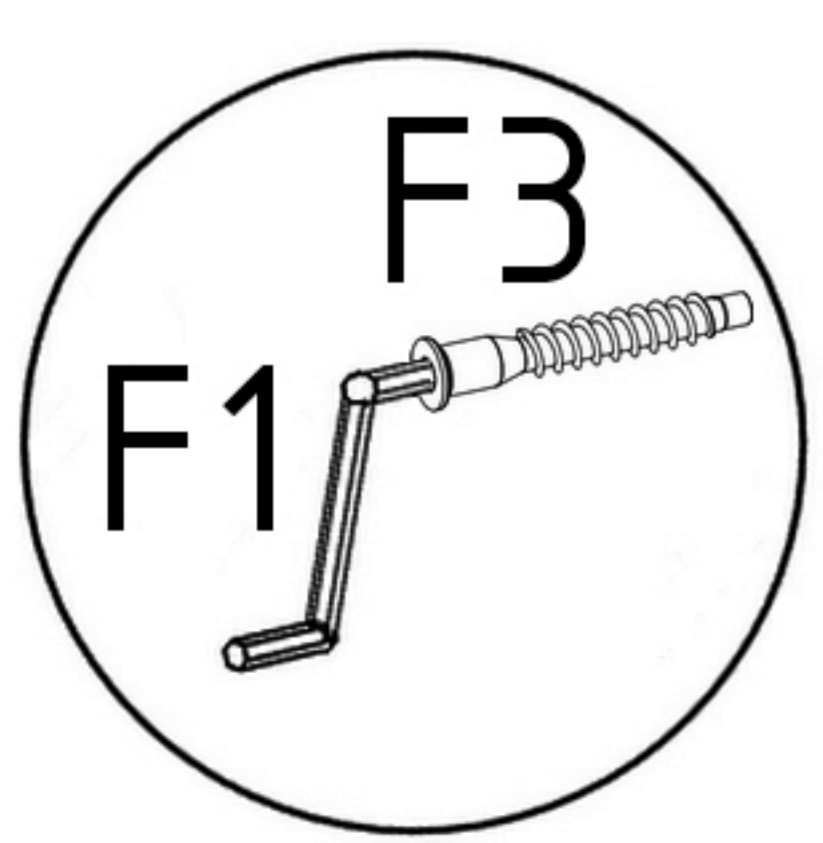
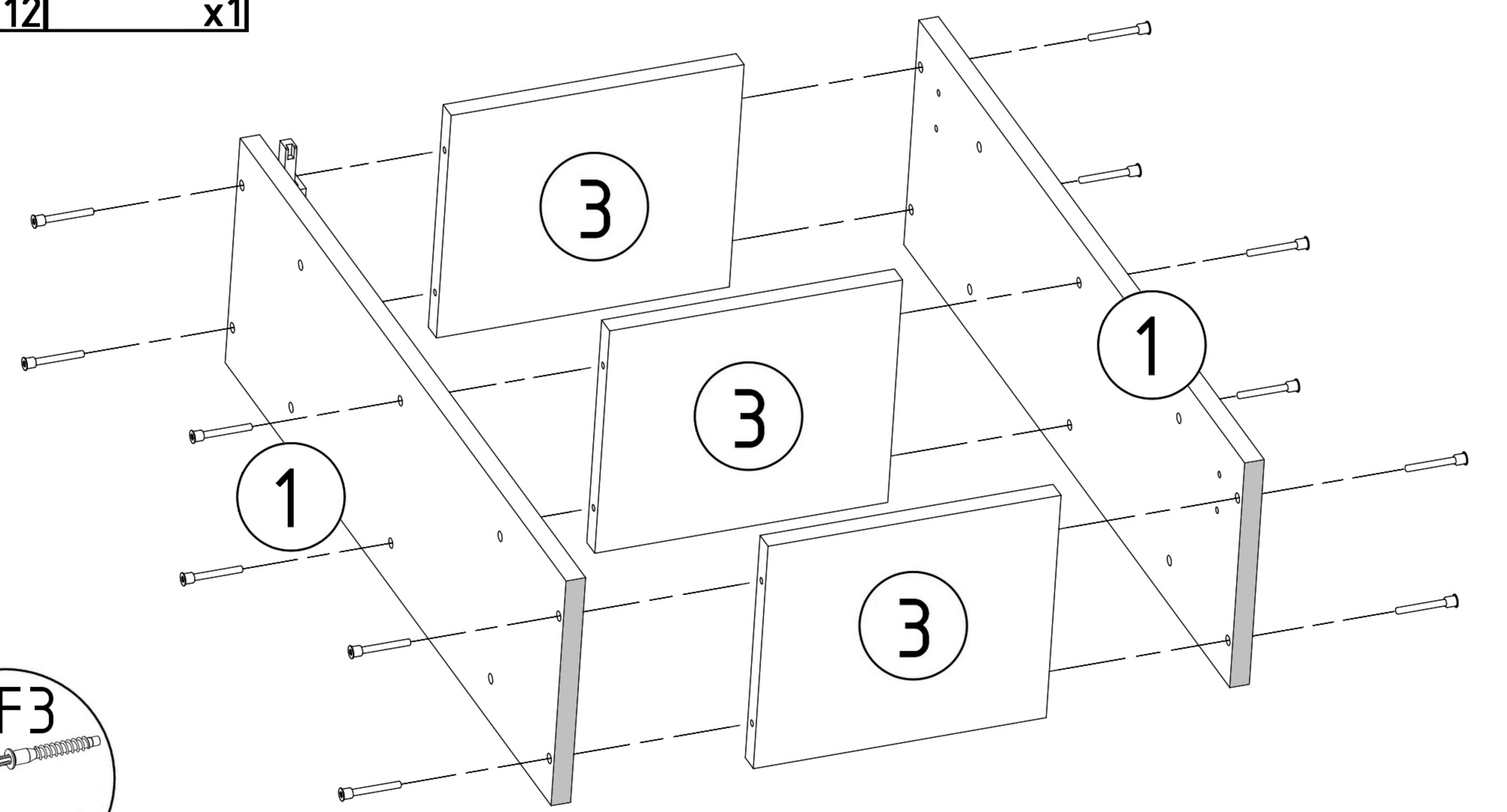
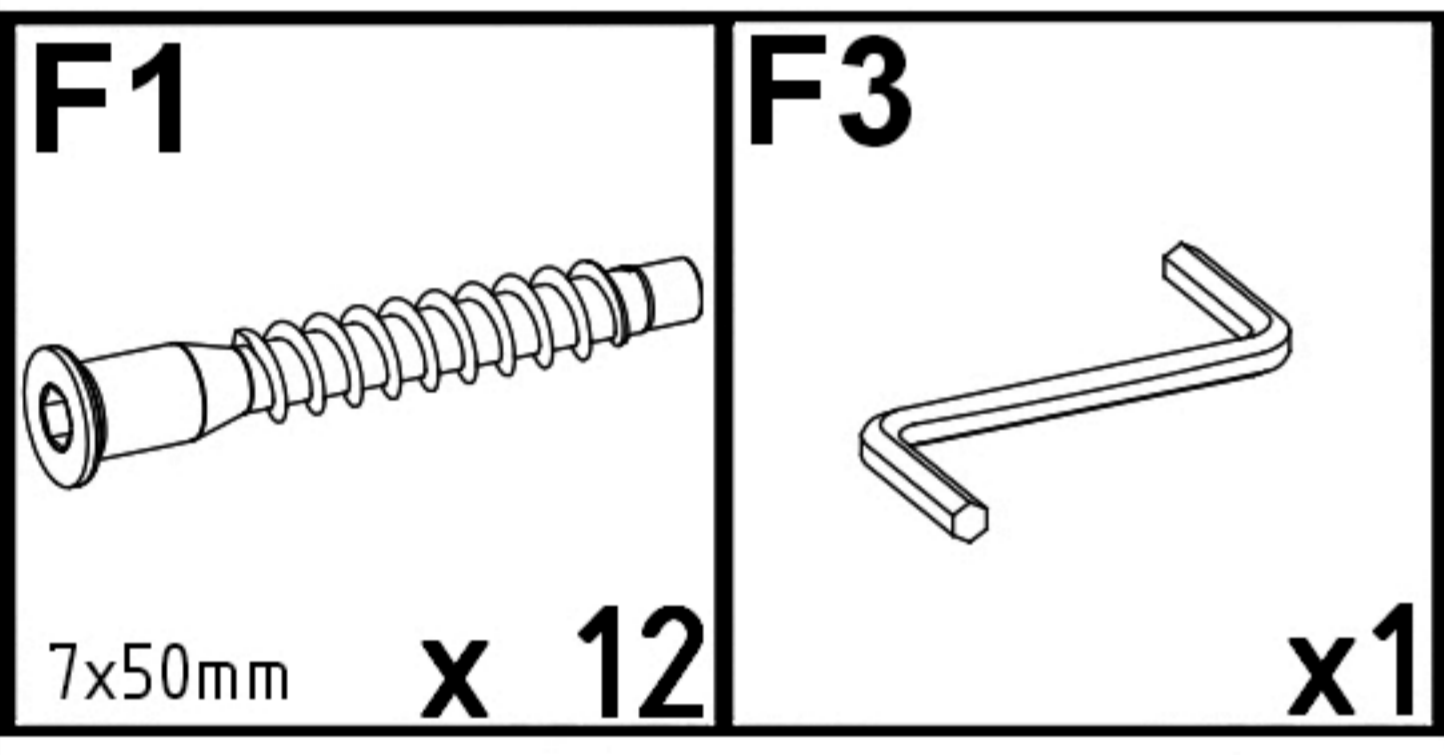
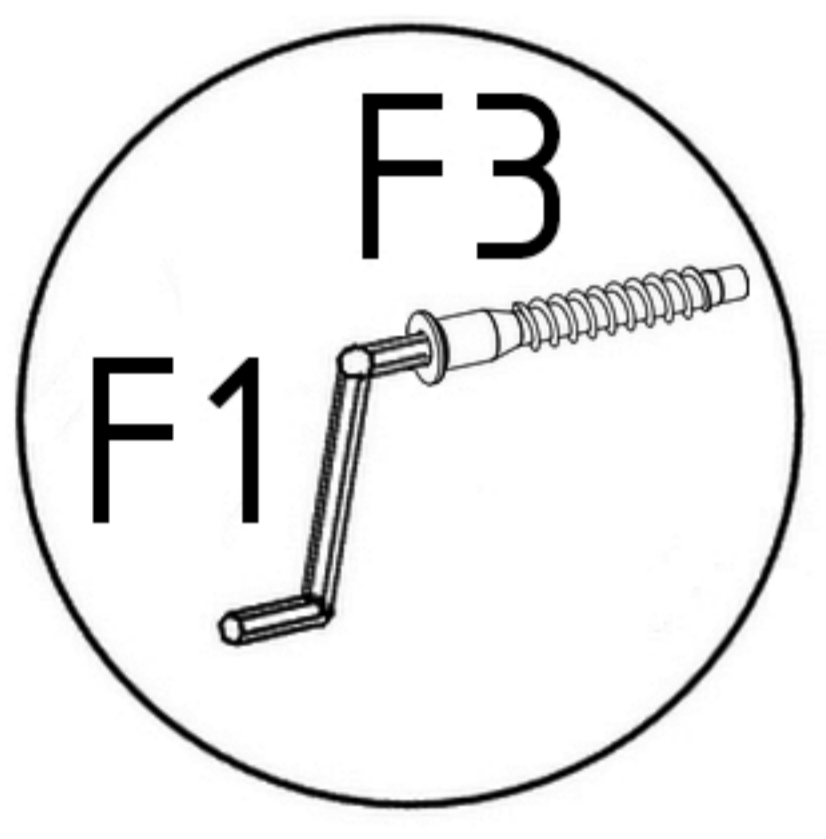
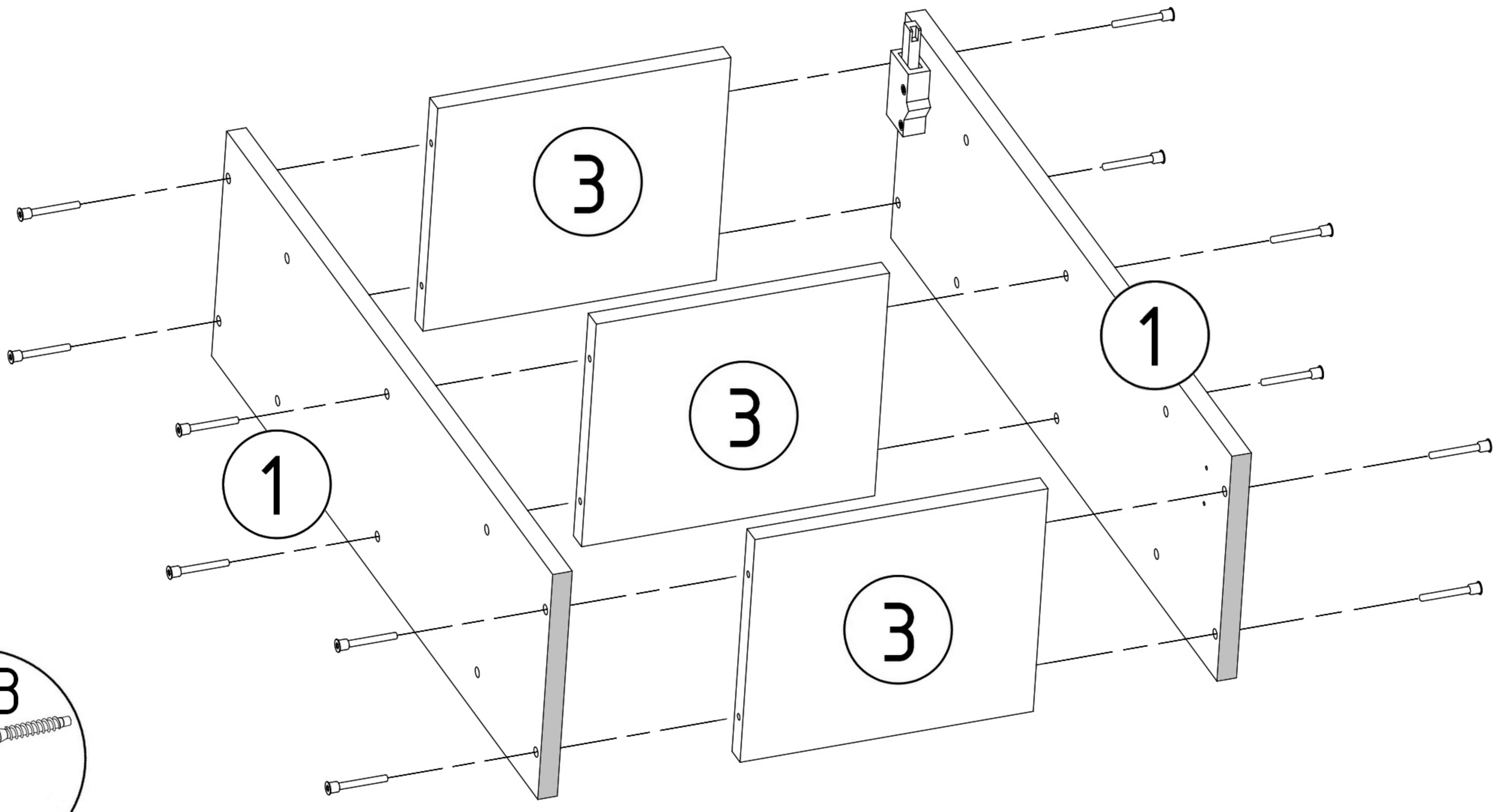
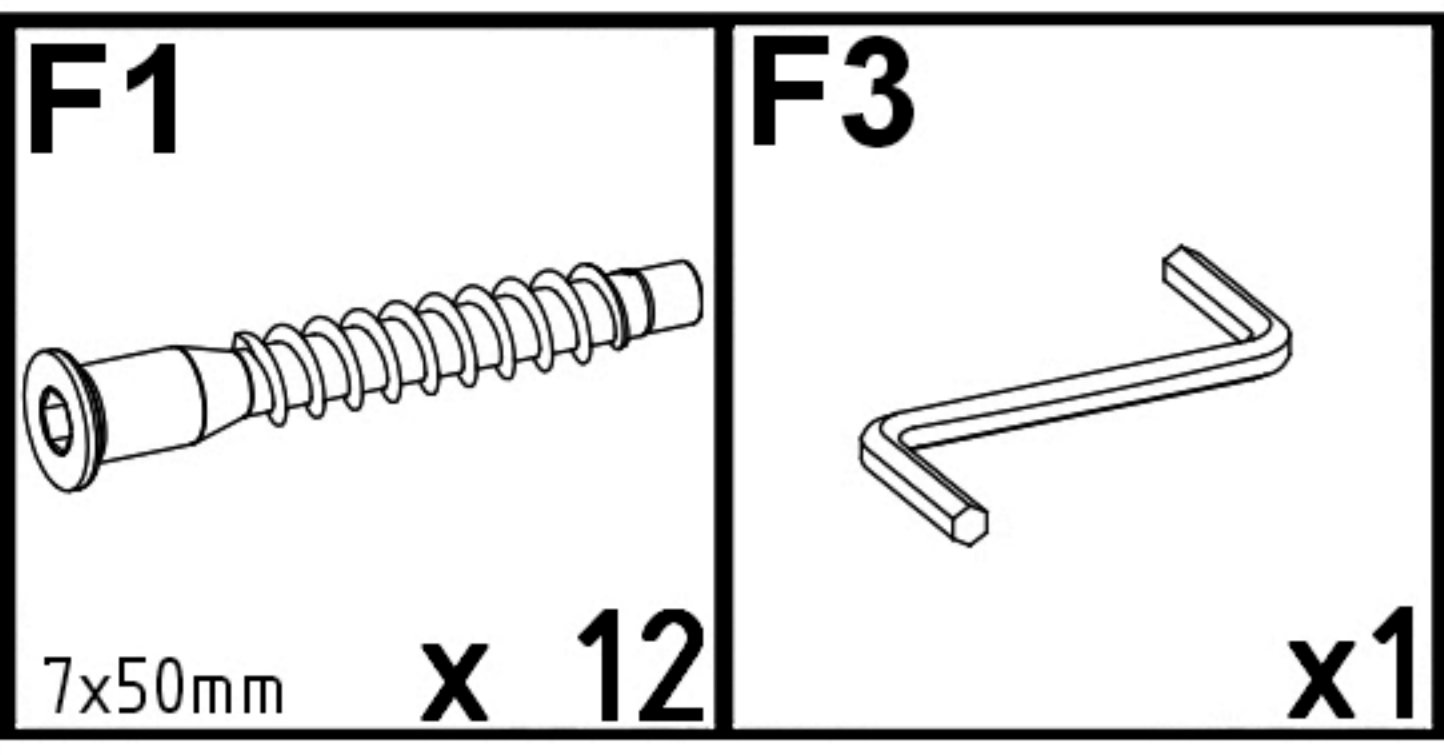
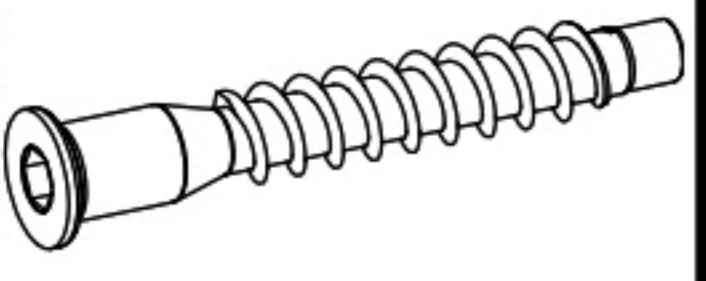
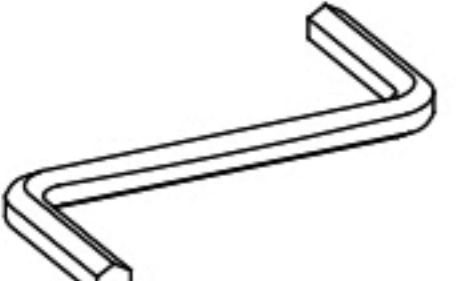


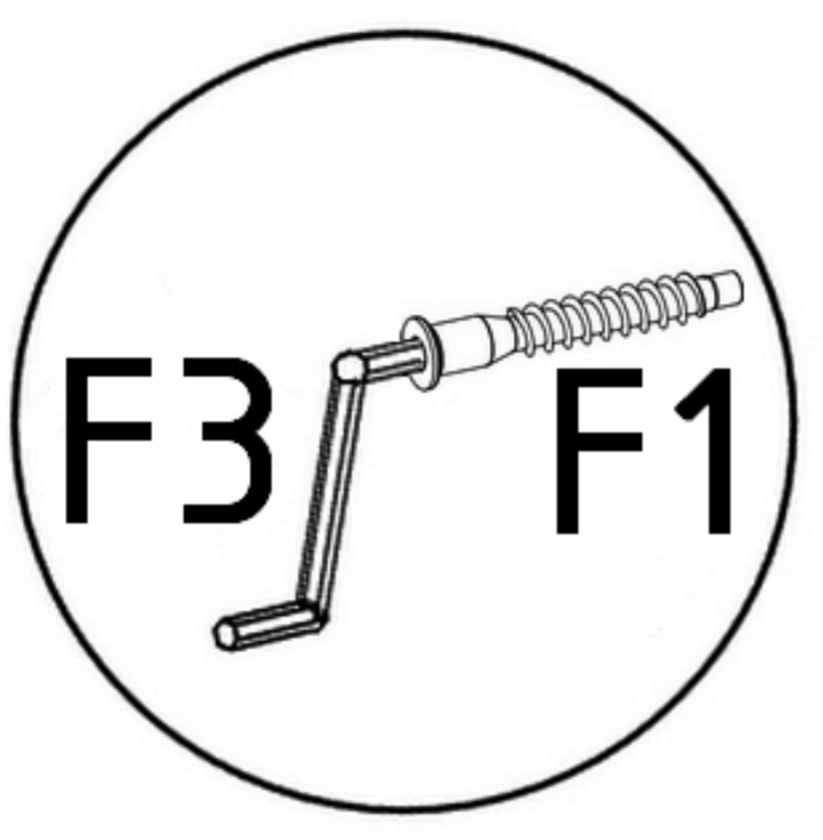
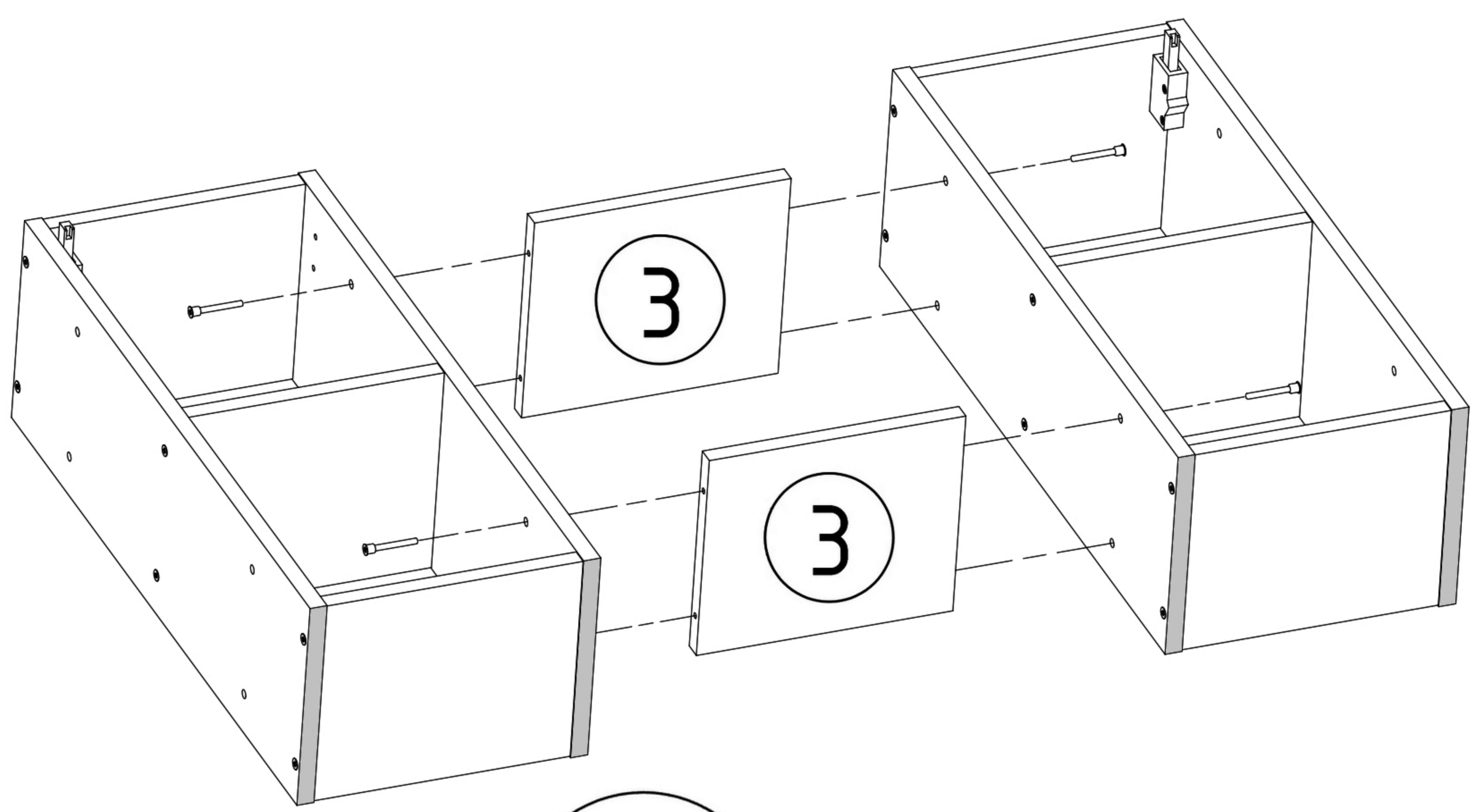
<b>1</b>	<b>x</b>	<b>4</b>
<b>2</b>	<b>x</b>	<b>2</b>
<b>3</b>	<b>x</b>	<b>12</b>

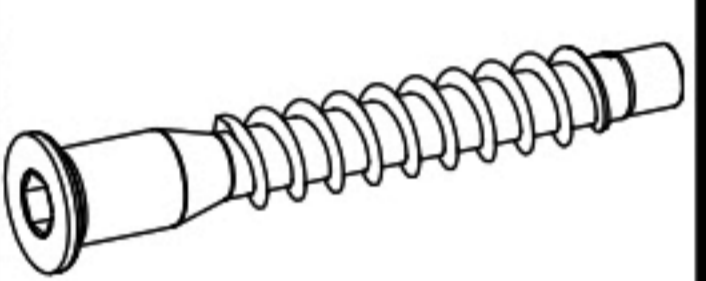


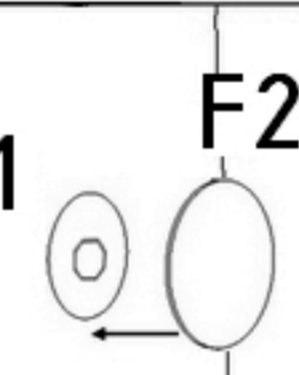






<b>F1</b>  7x50mm x 8	<b>F3</b>  x1
---	--



<b>F1</b>  7x50mm x 16	<b>F3</b>  x1	<b>F2</b>  ø12mm x 48	 F1 F2
--	--	--	--

