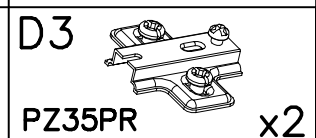
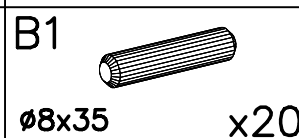
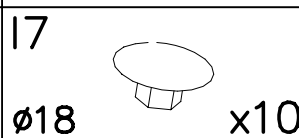
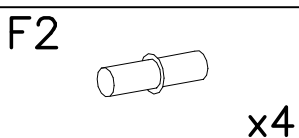
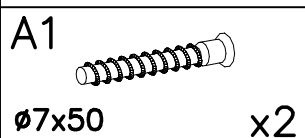
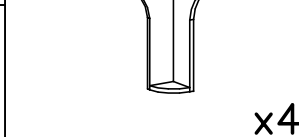
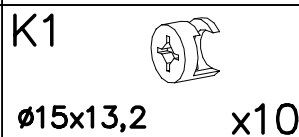
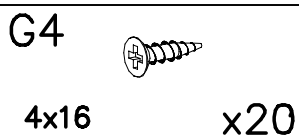
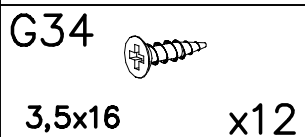
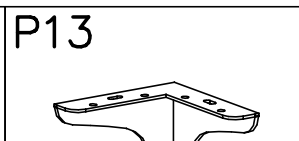
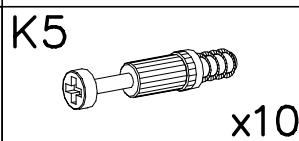
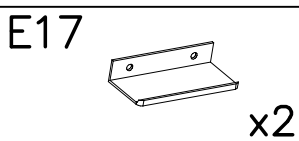
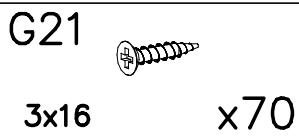
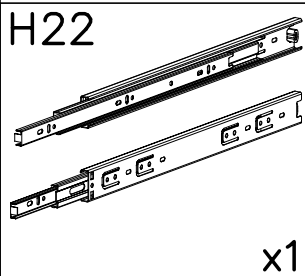
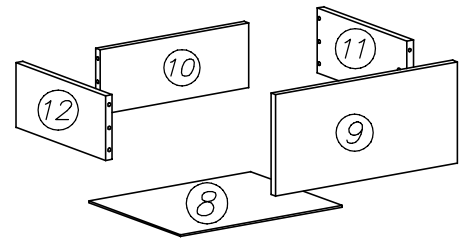
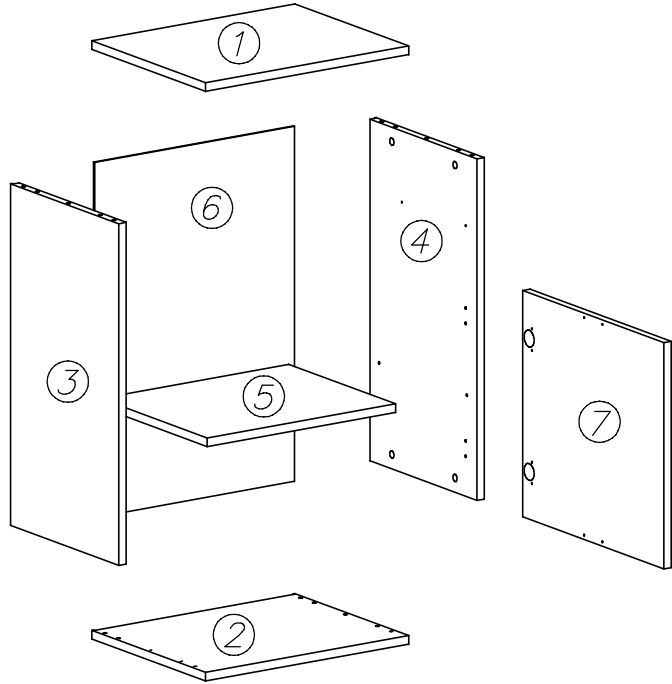
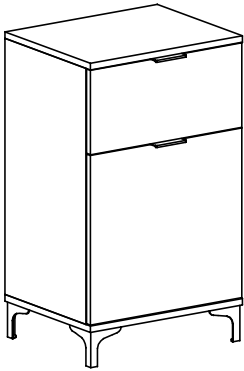
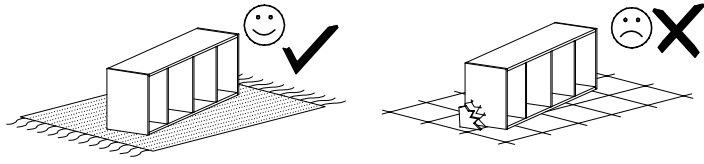
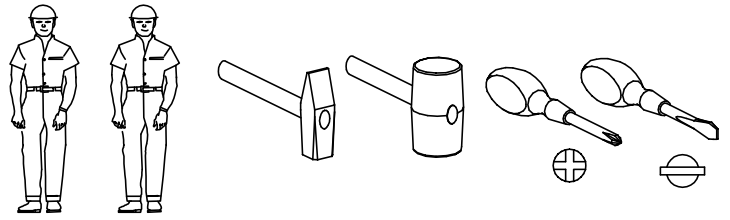
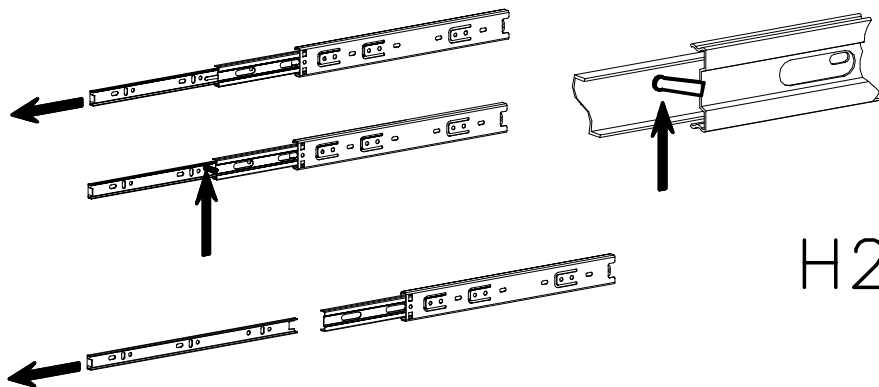
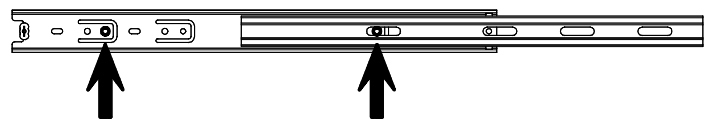
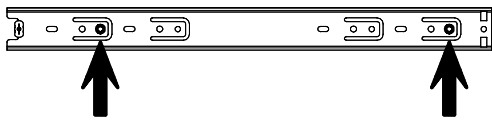
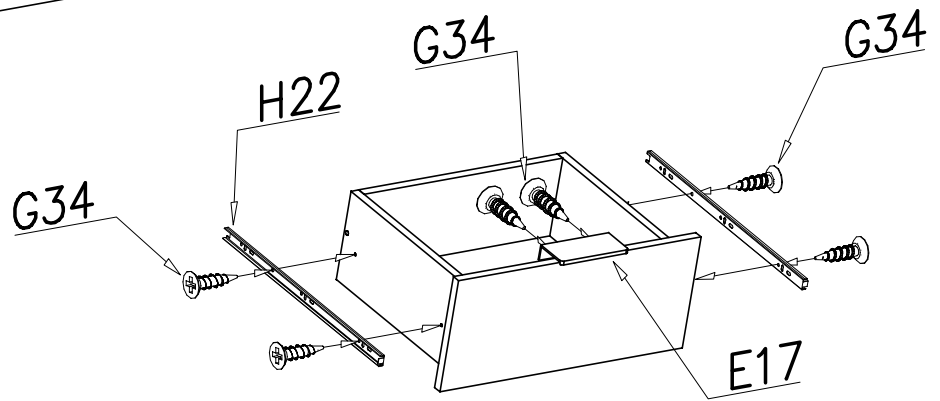
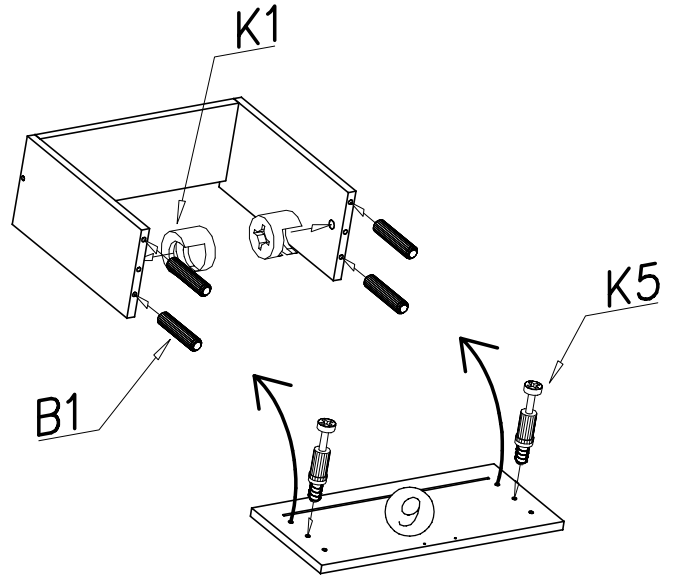
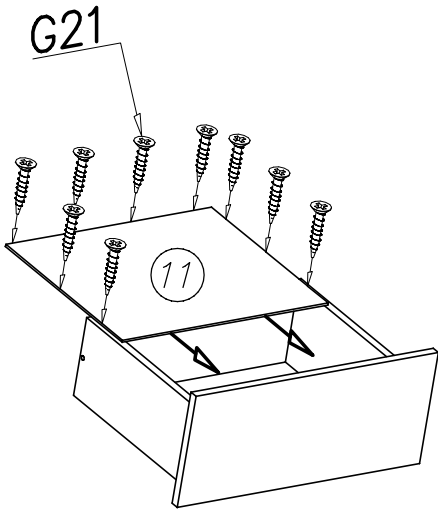
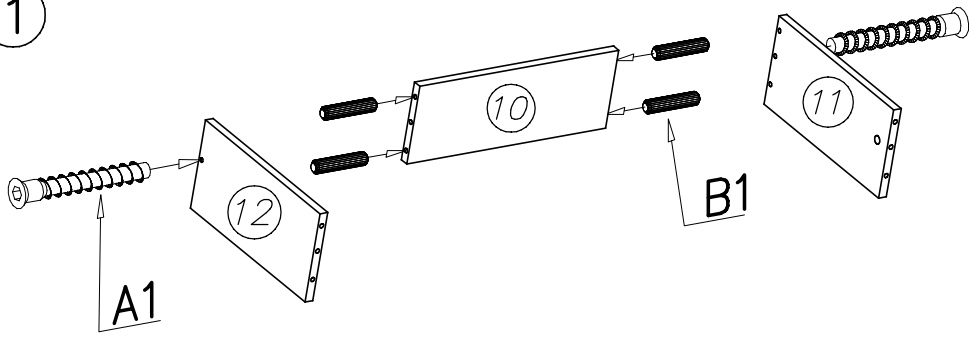


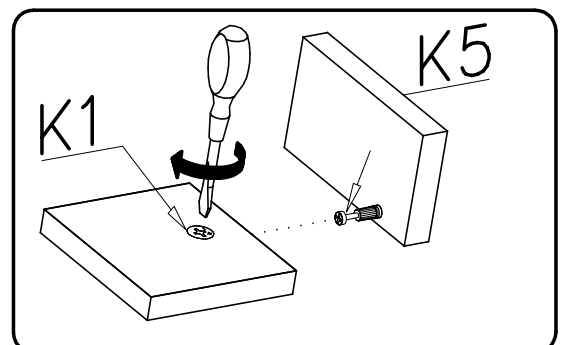
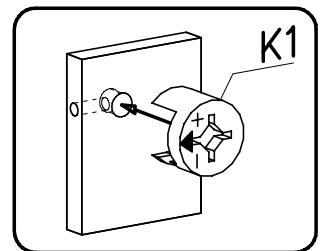
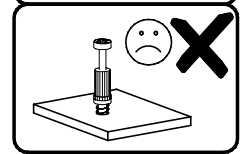
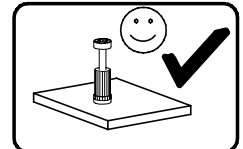
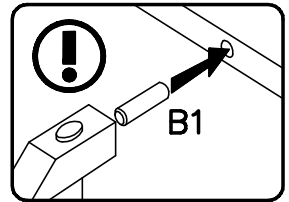
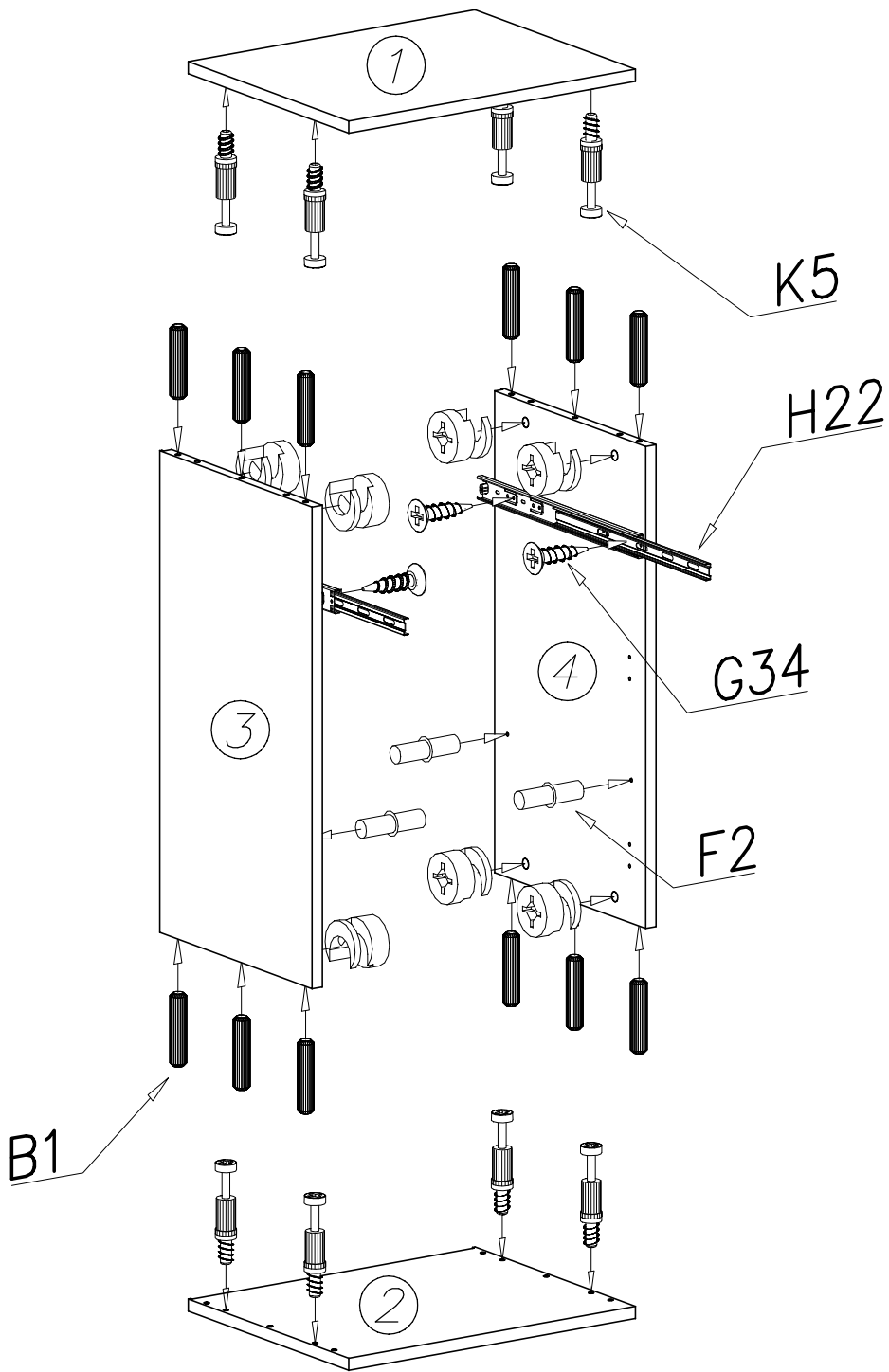
# LEN 01



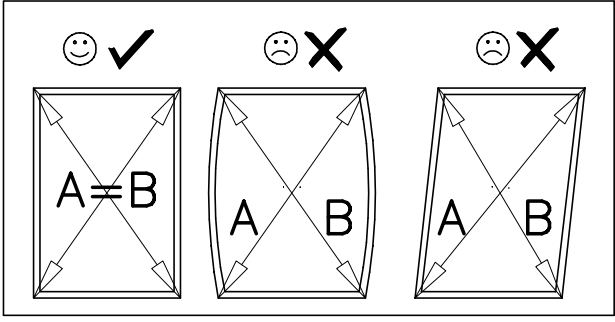
1



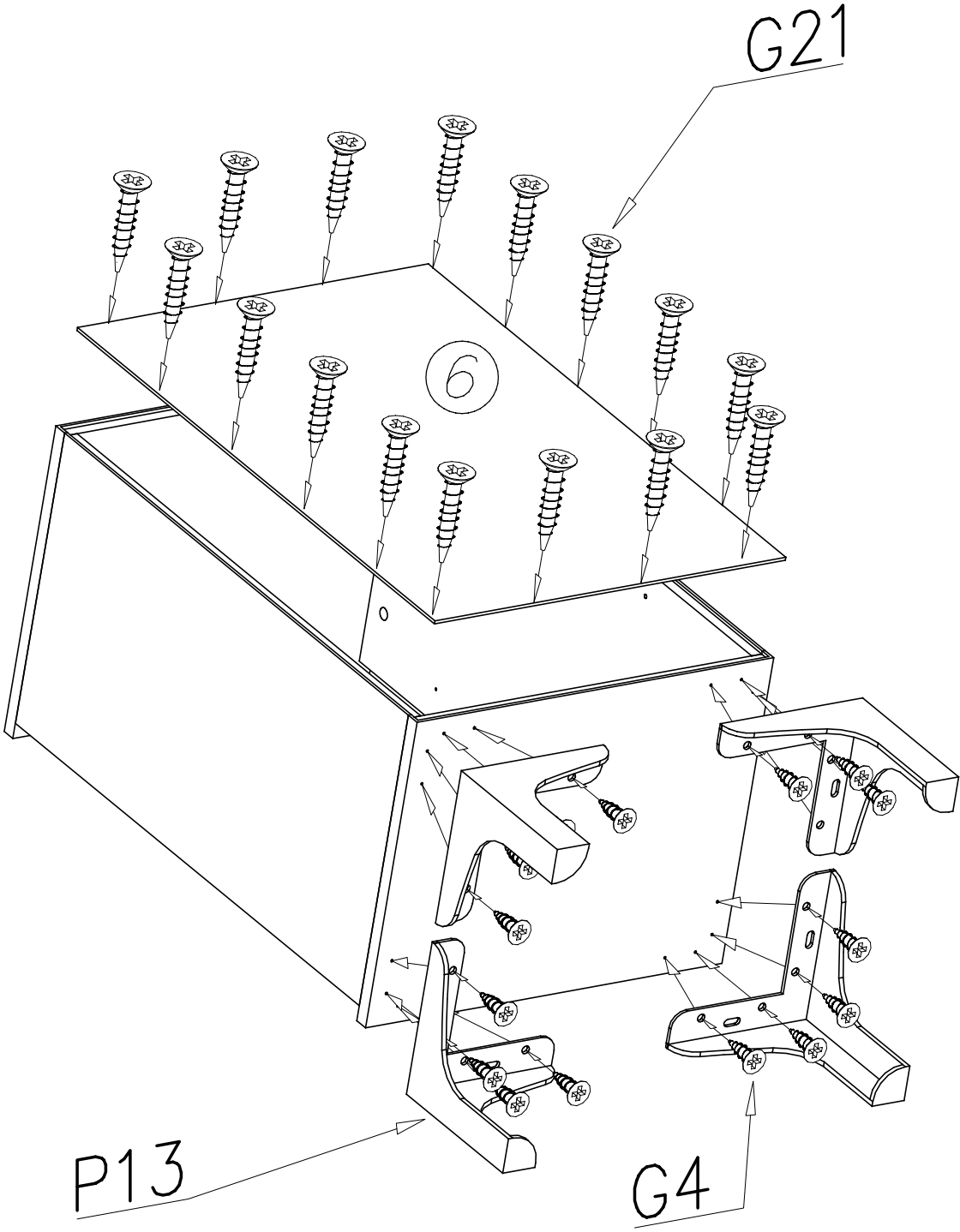
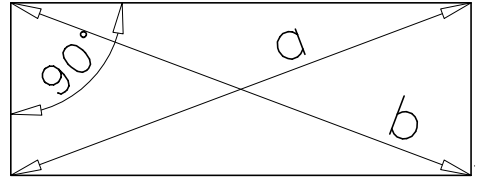
2



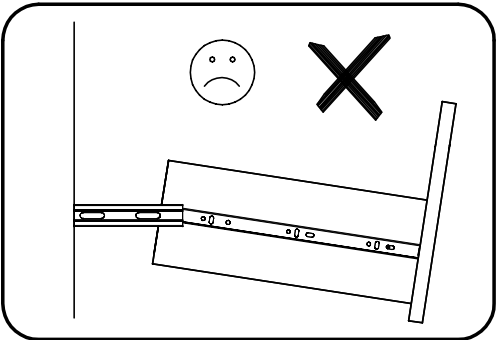
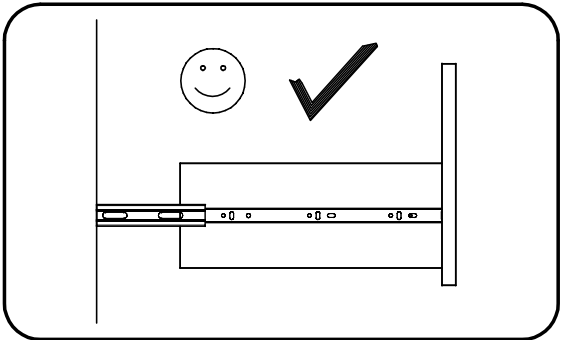
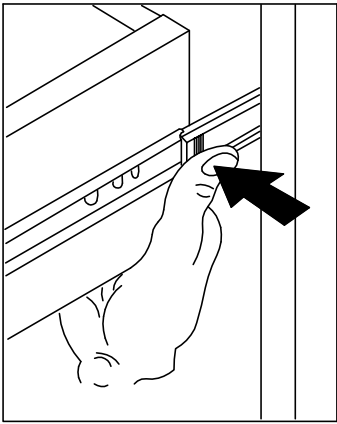
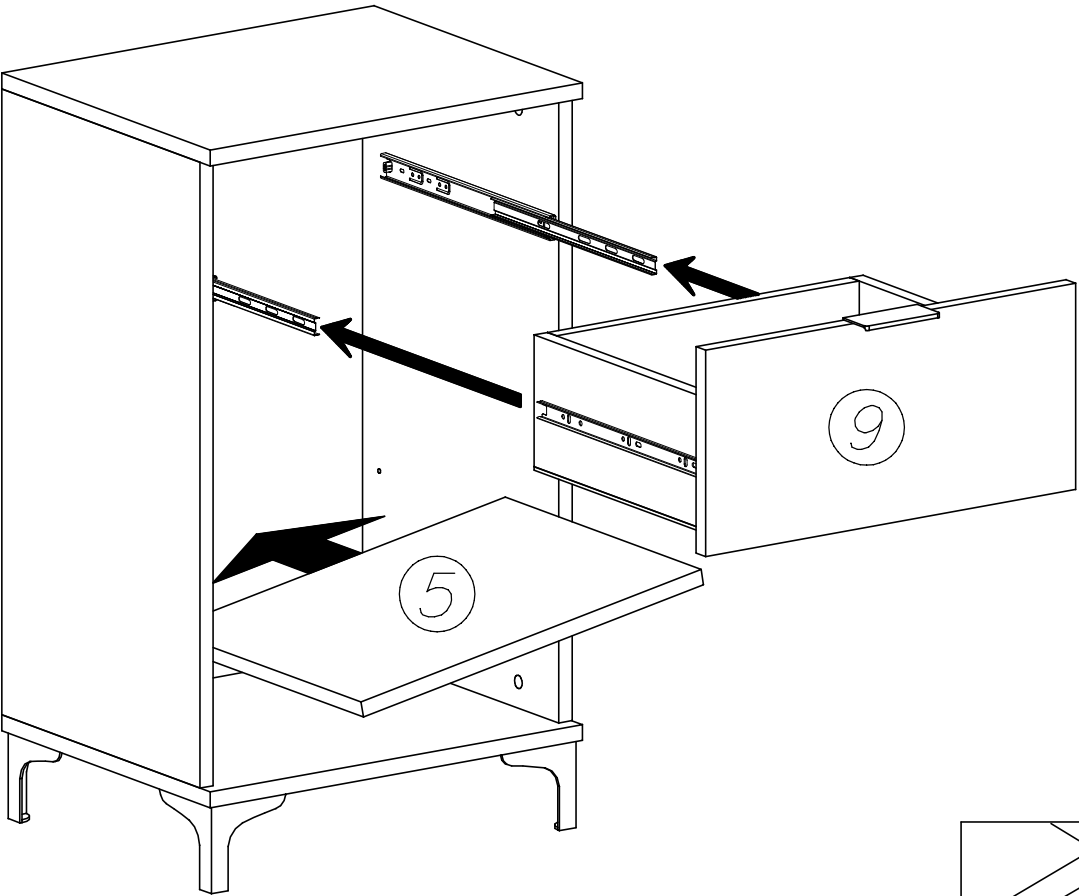
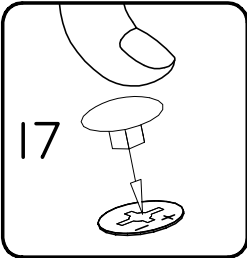
3



$$a = b$$



4



5

