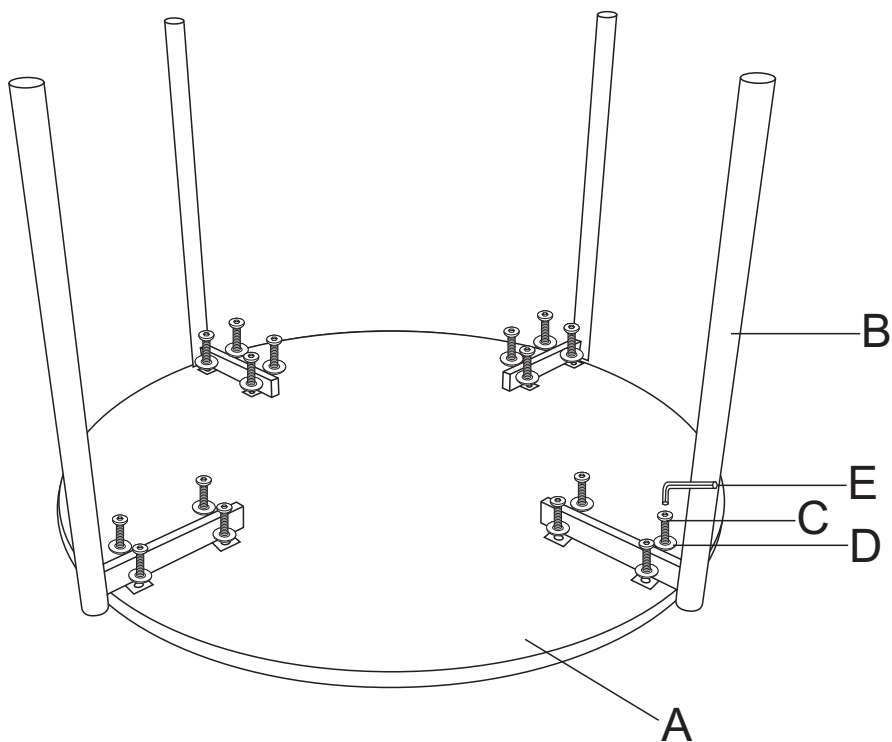


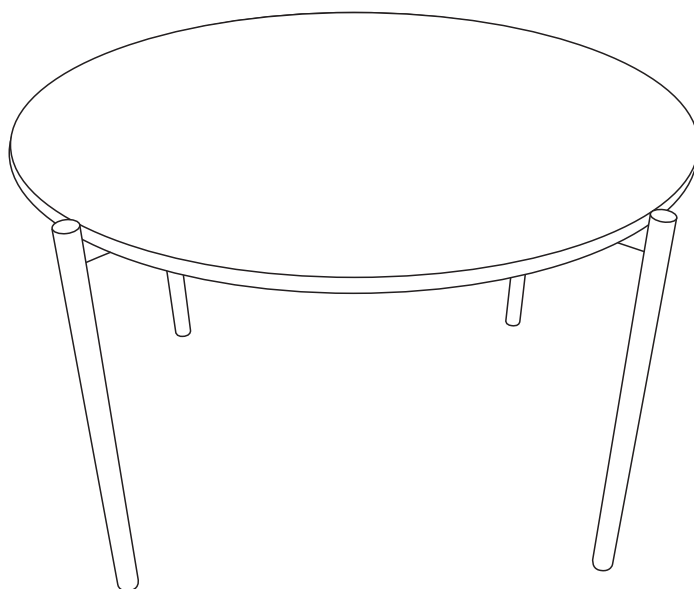
ASSEMBLY INSTRUCTION

RT-01

1



2



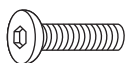
Ax1



Bx4



Cx16



M8x16mm

Dx16



M8x16mm

Ex1



M5