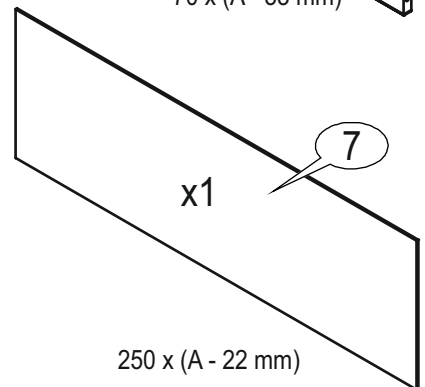
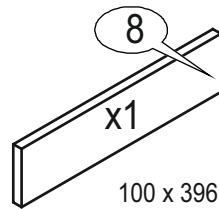
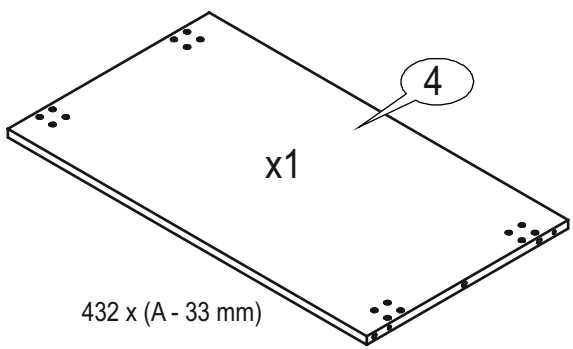
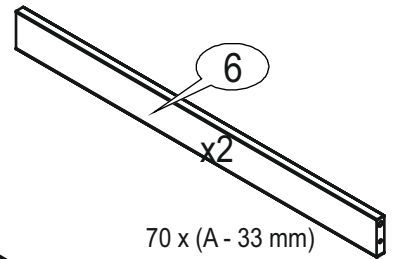
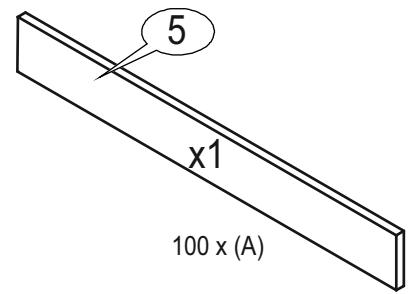
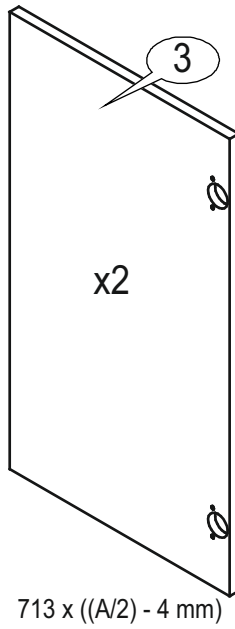
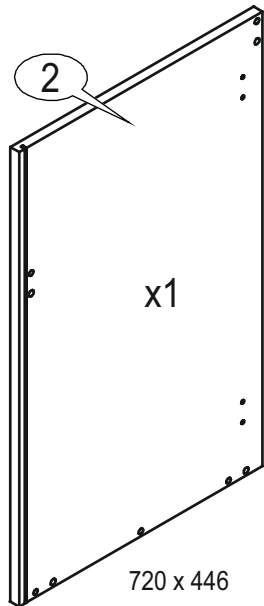
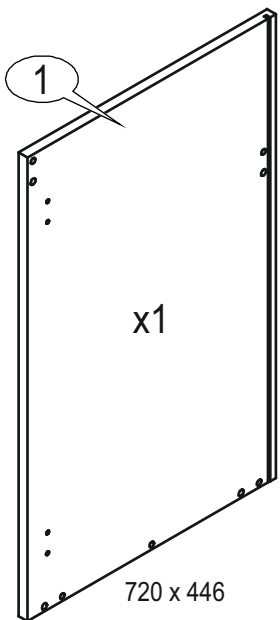
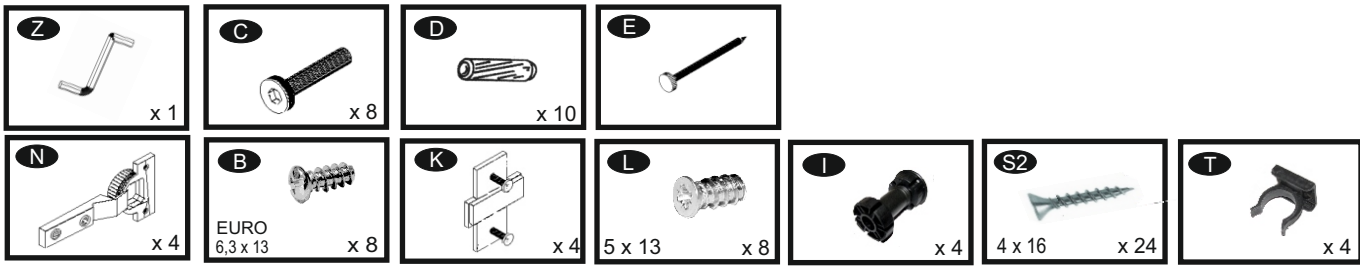
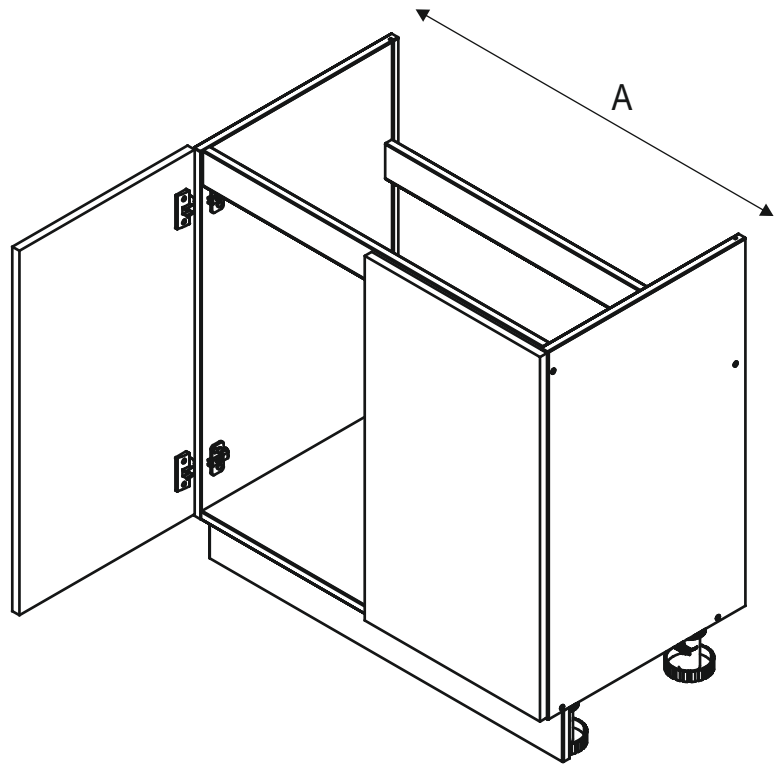
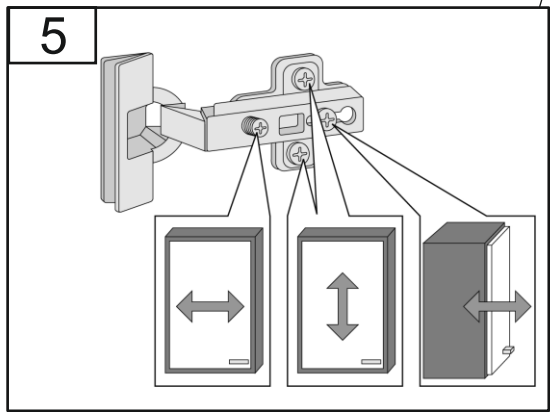
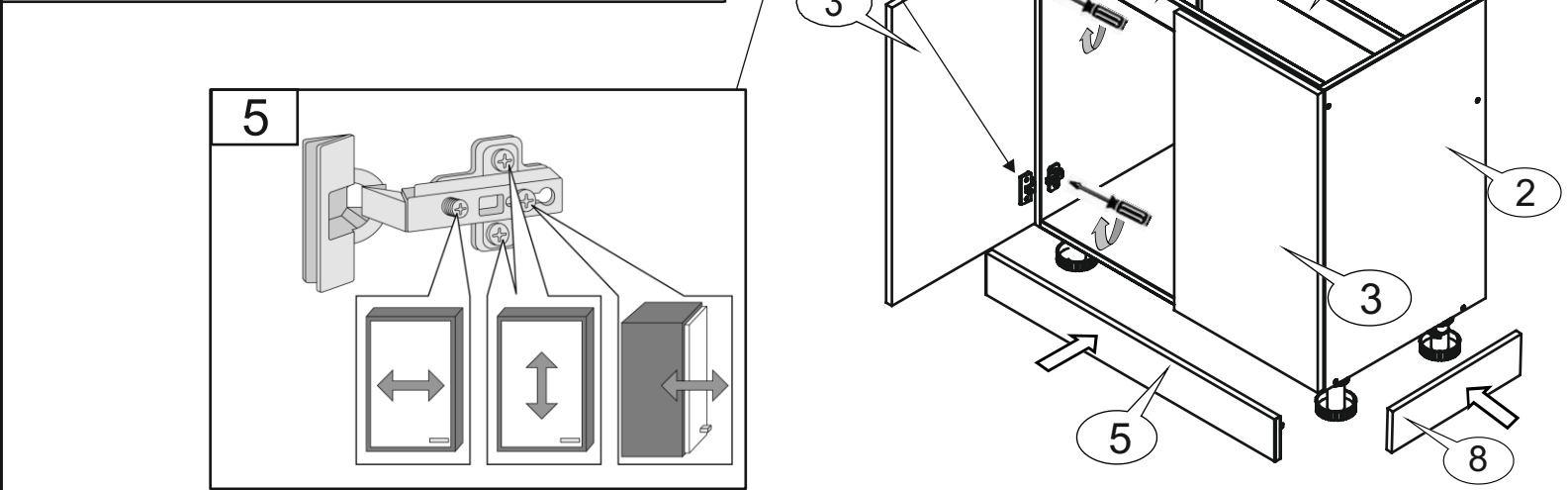
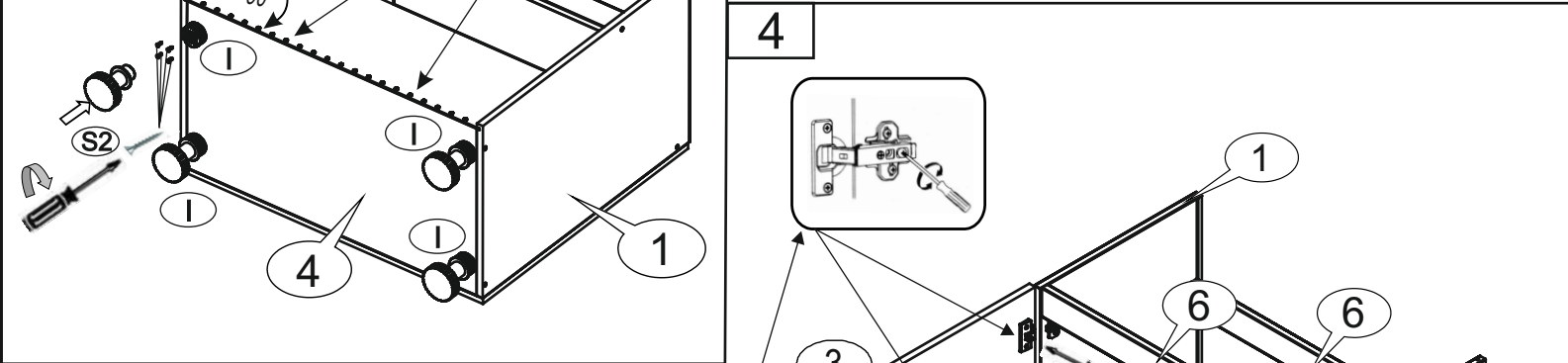
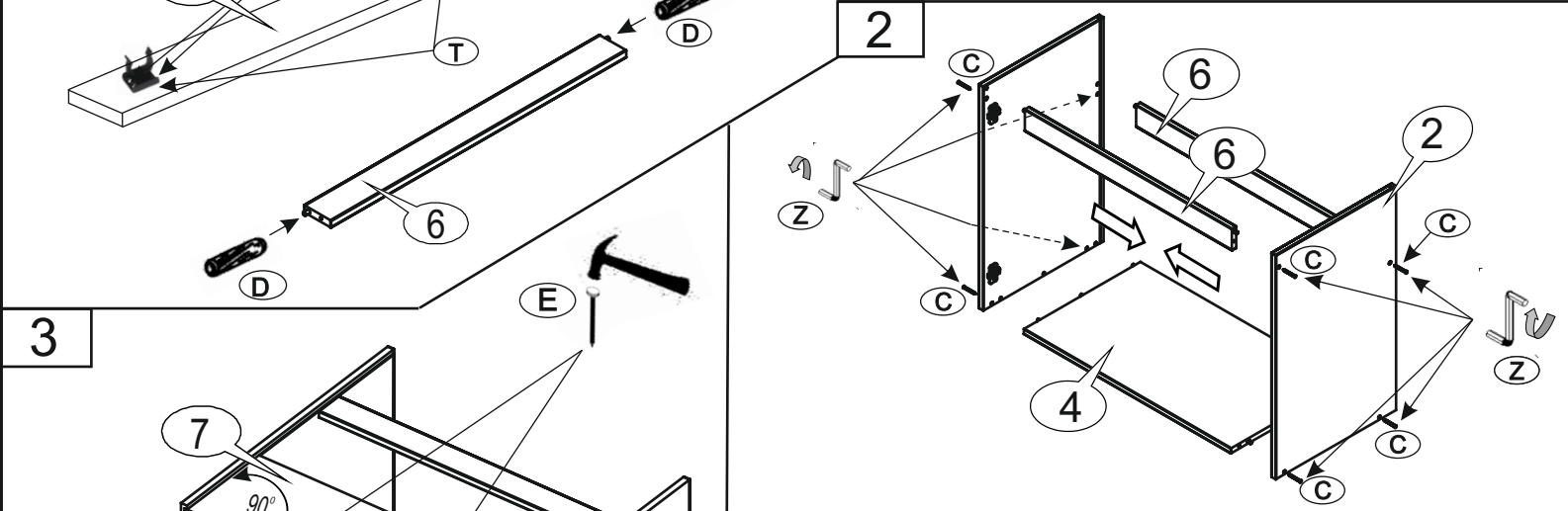
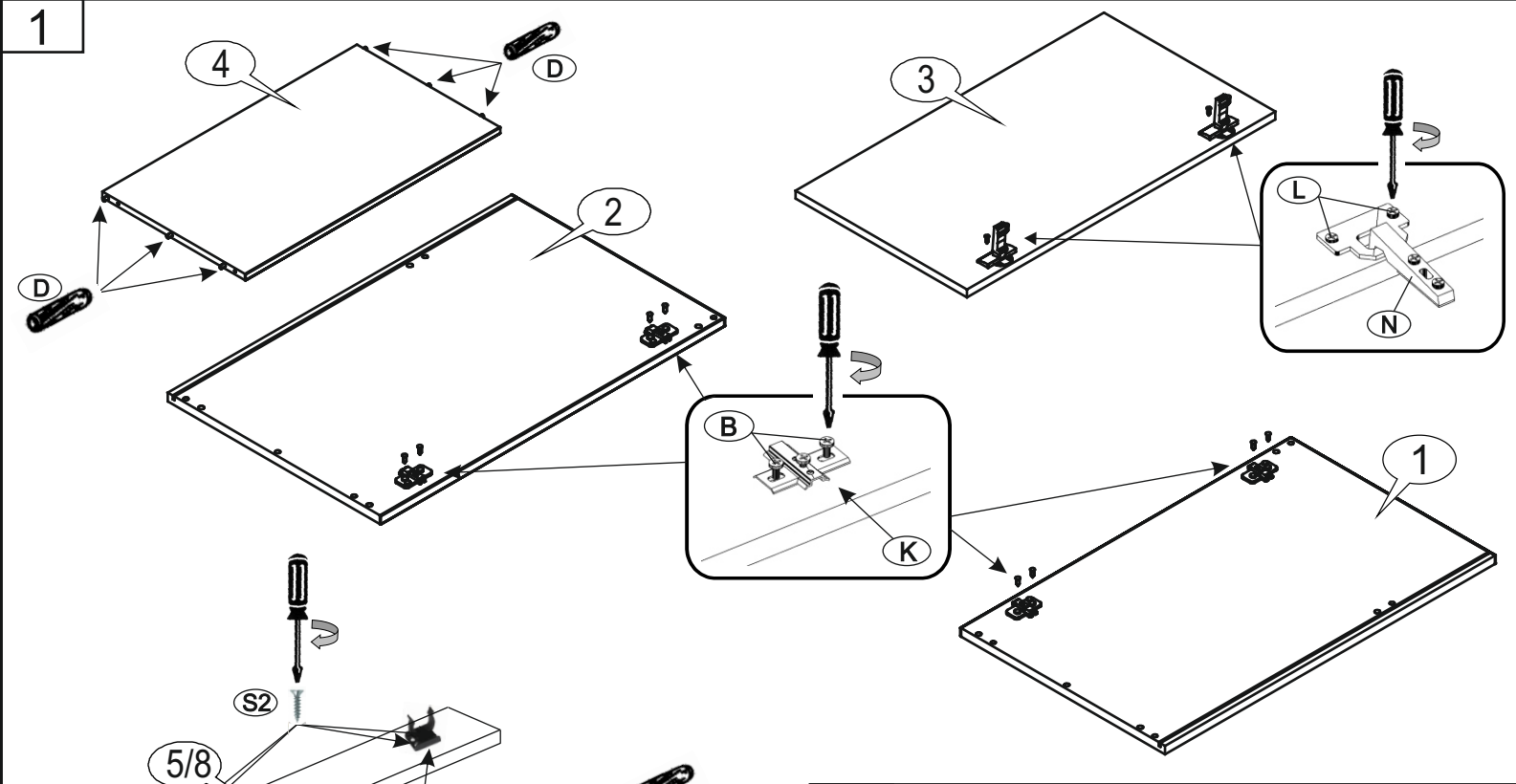
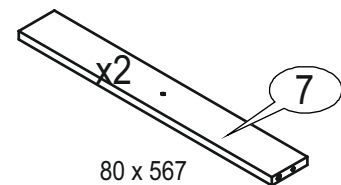
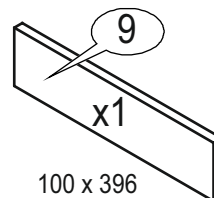
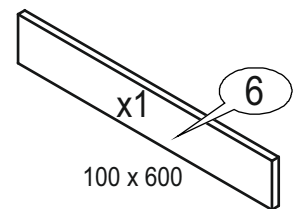
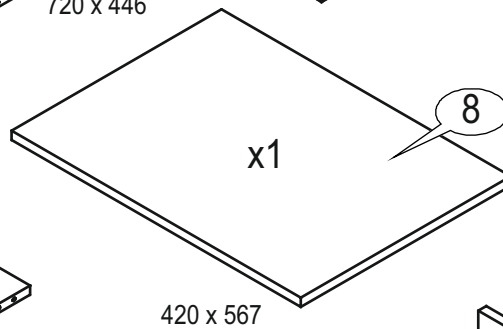
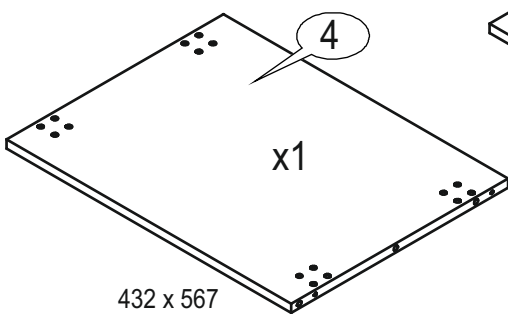
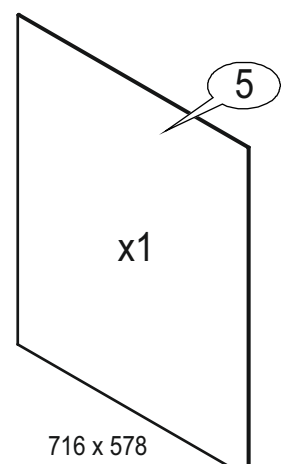
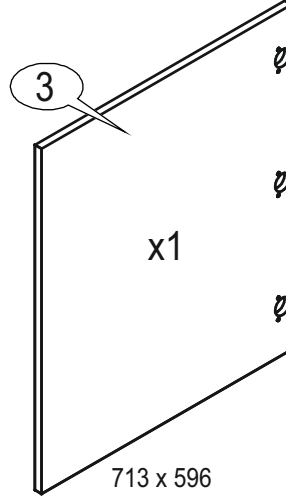
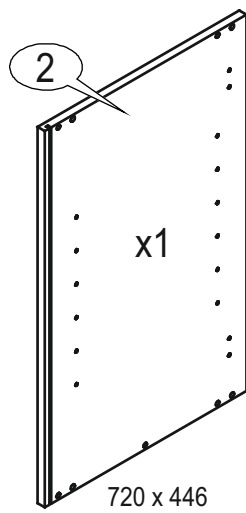
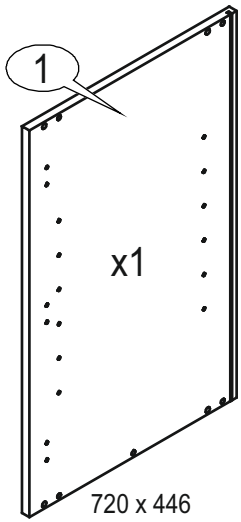
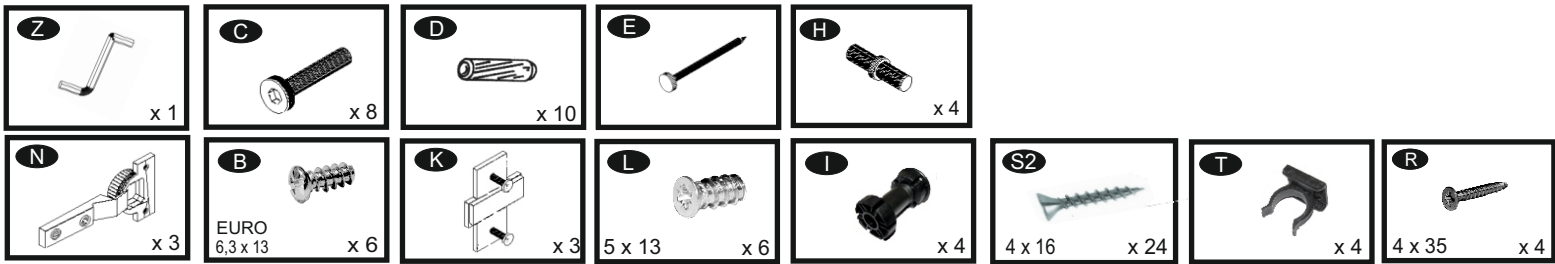
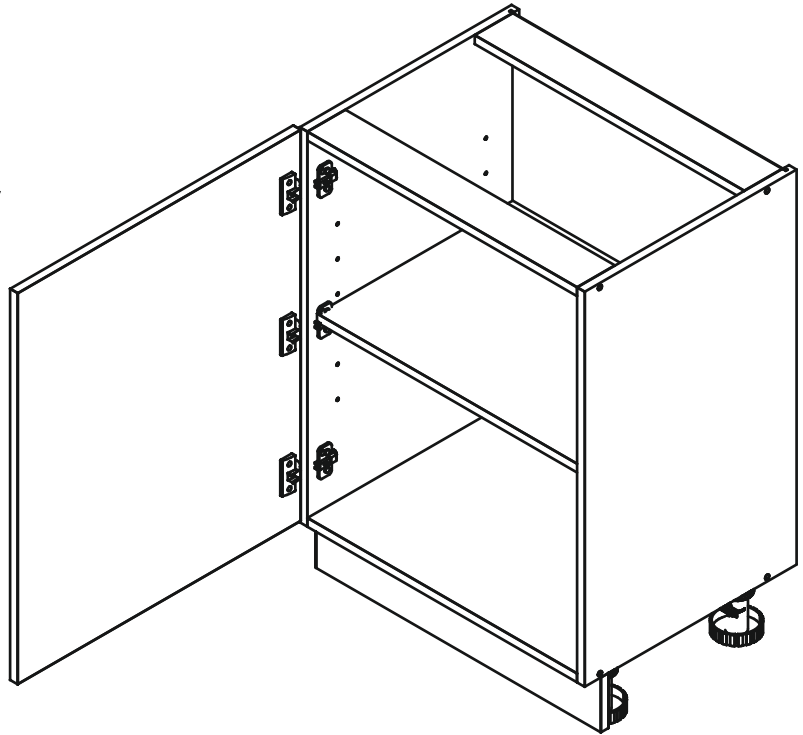
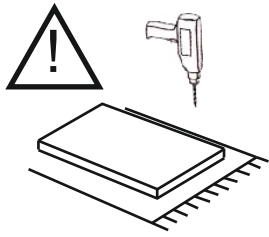
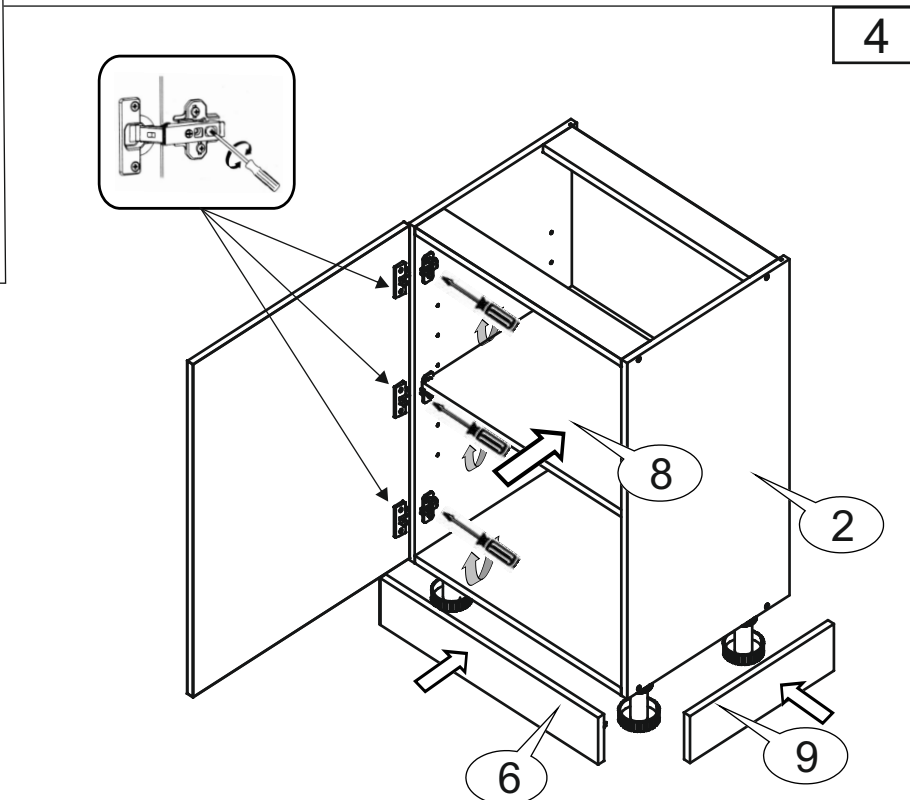
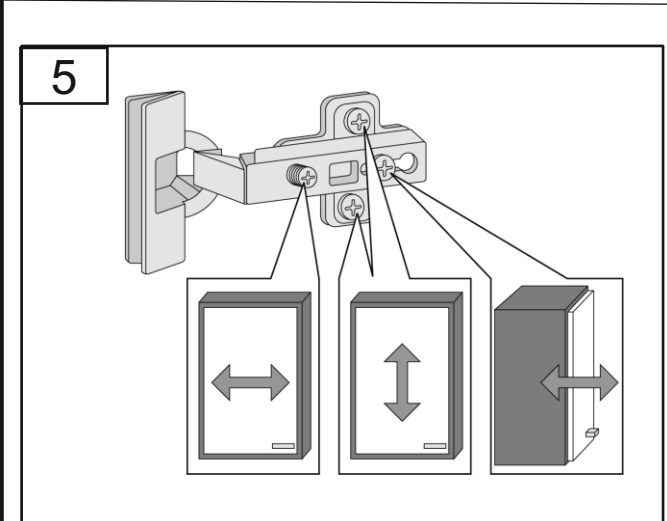
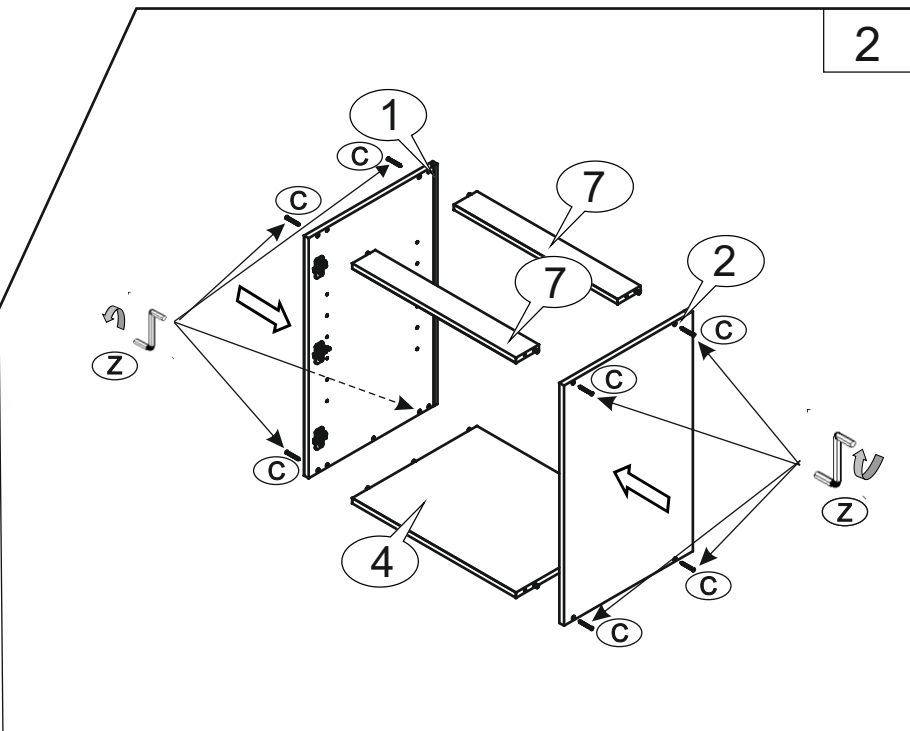
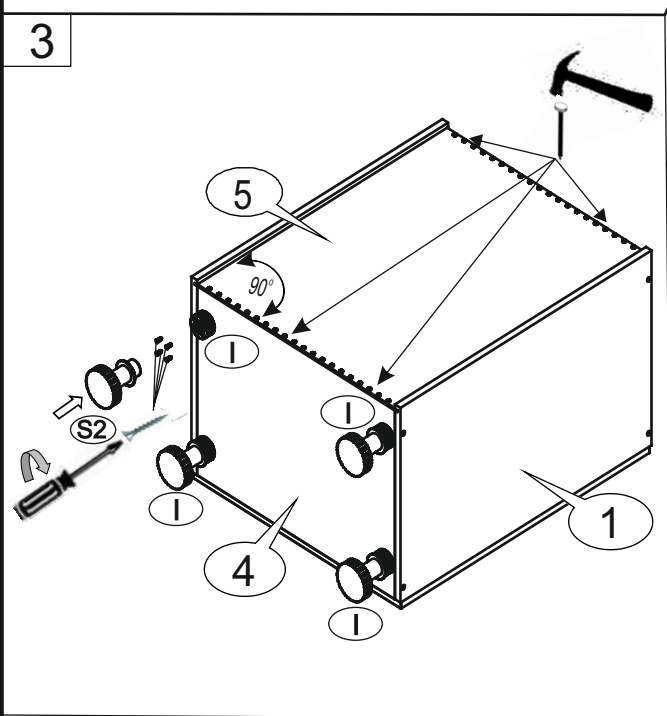
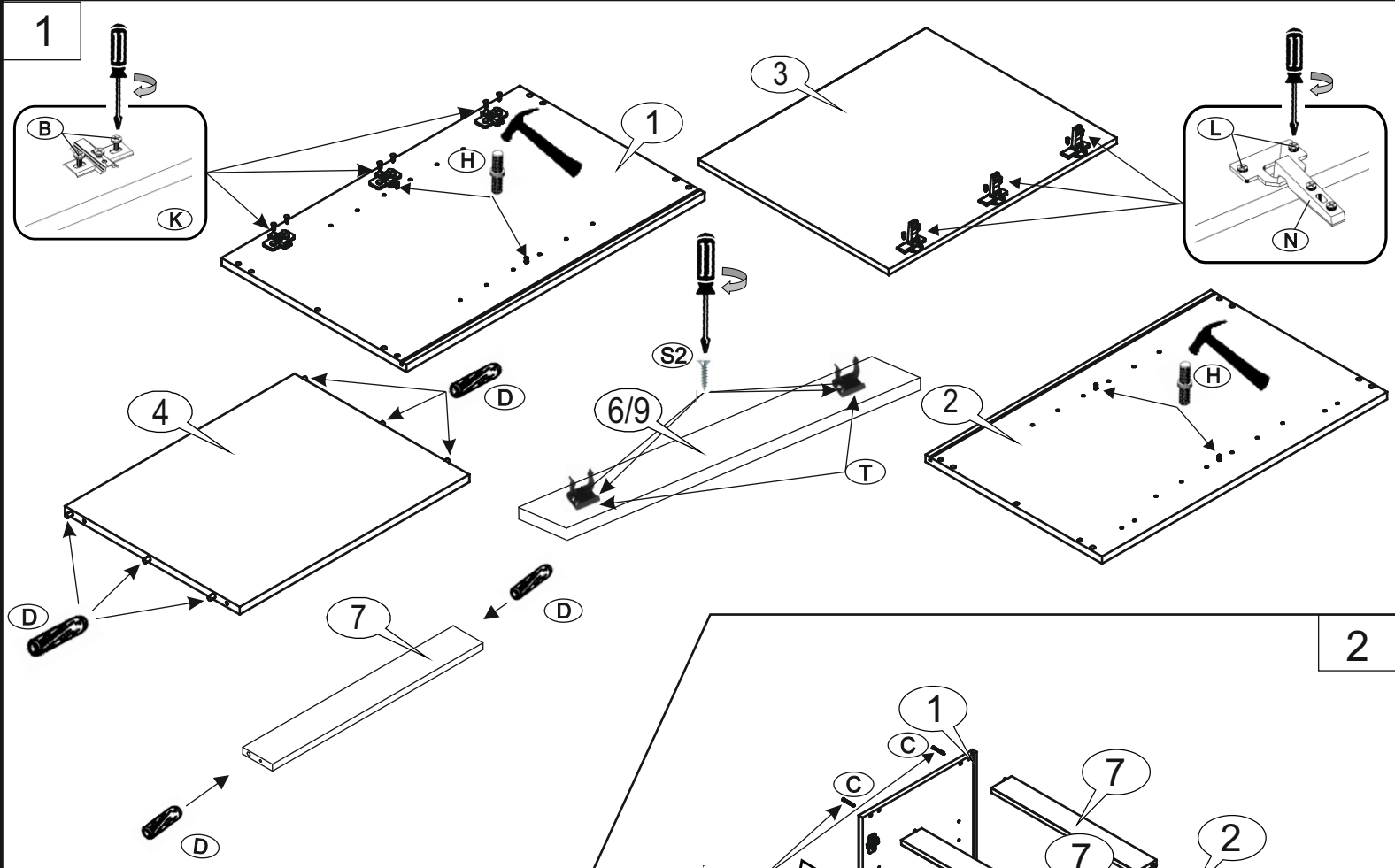


D60ZL; D80ZL

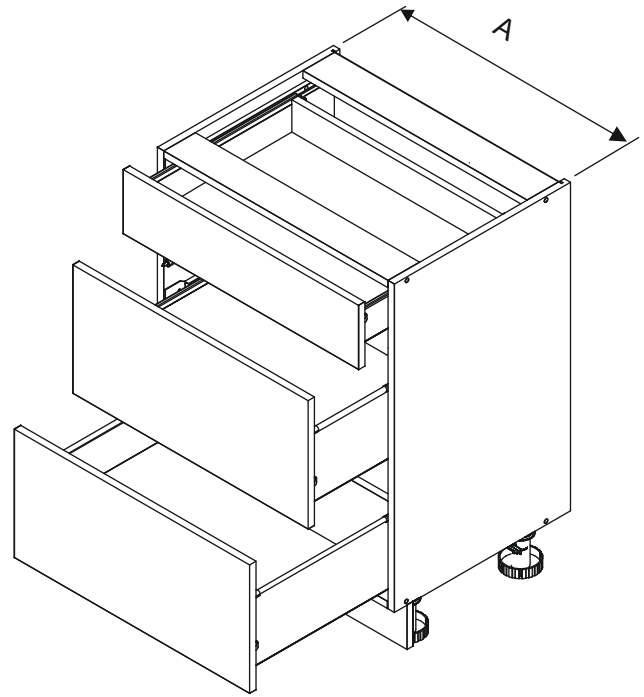
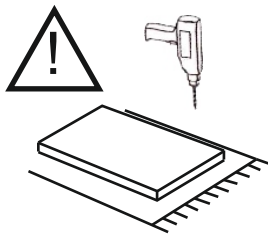






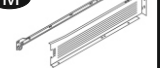









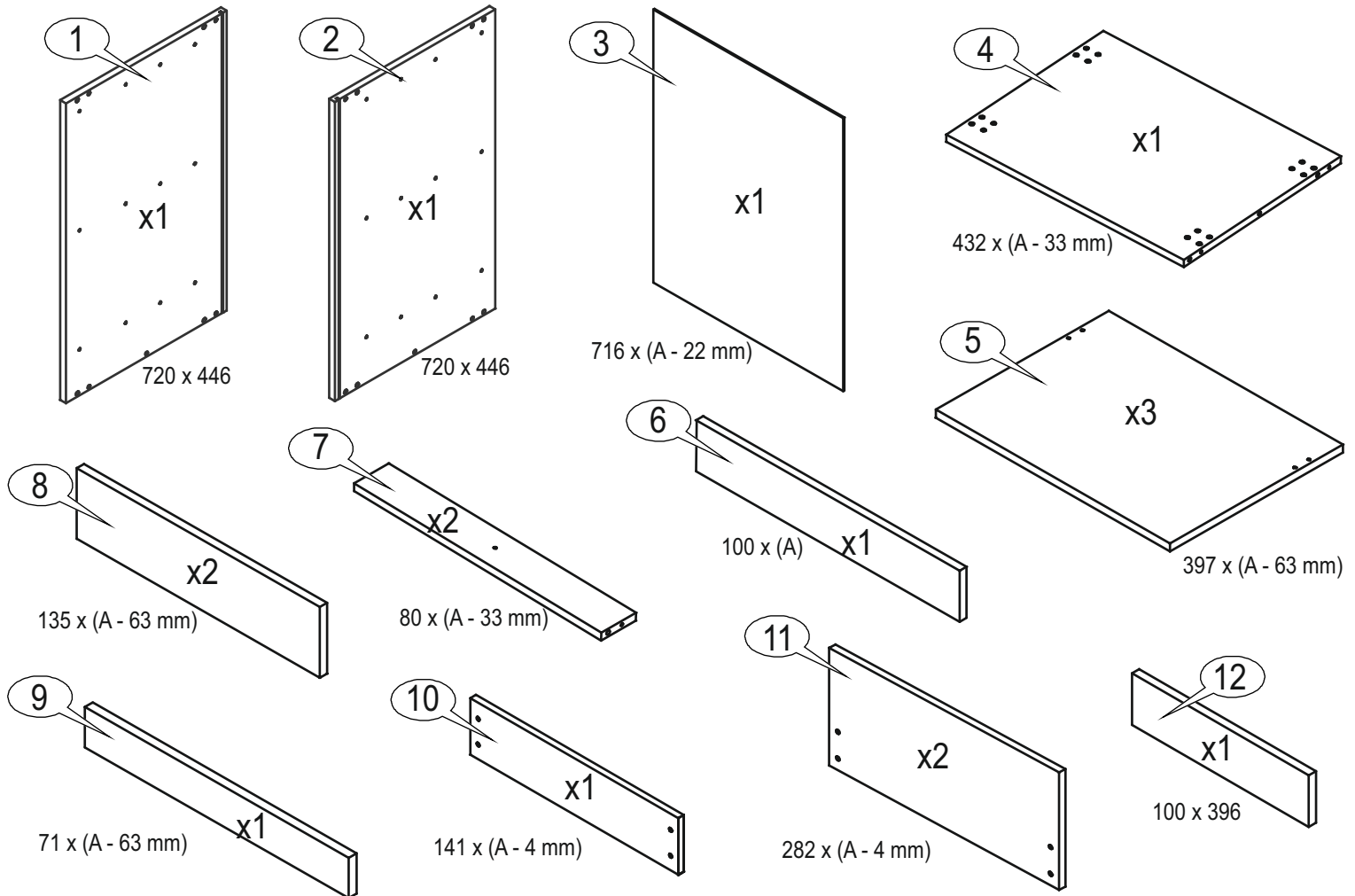


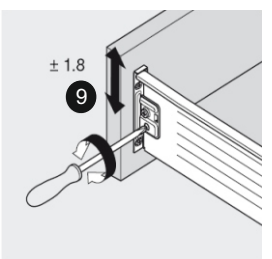
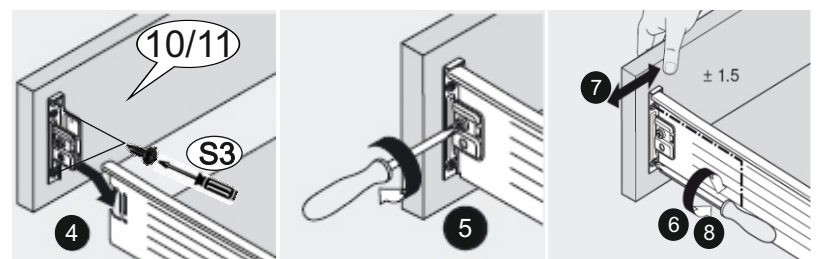
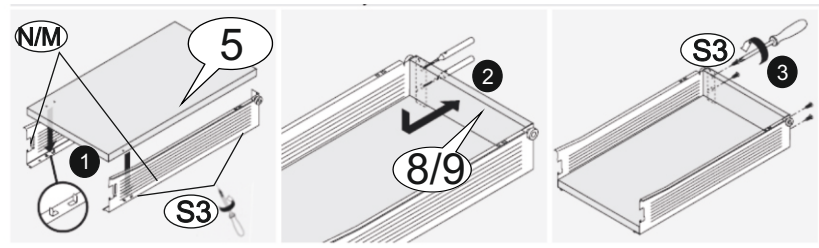
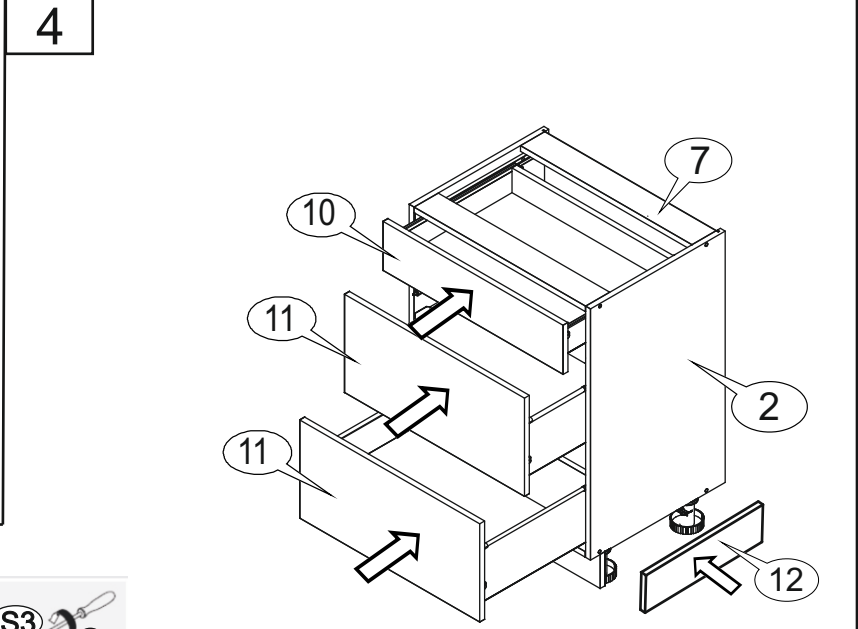
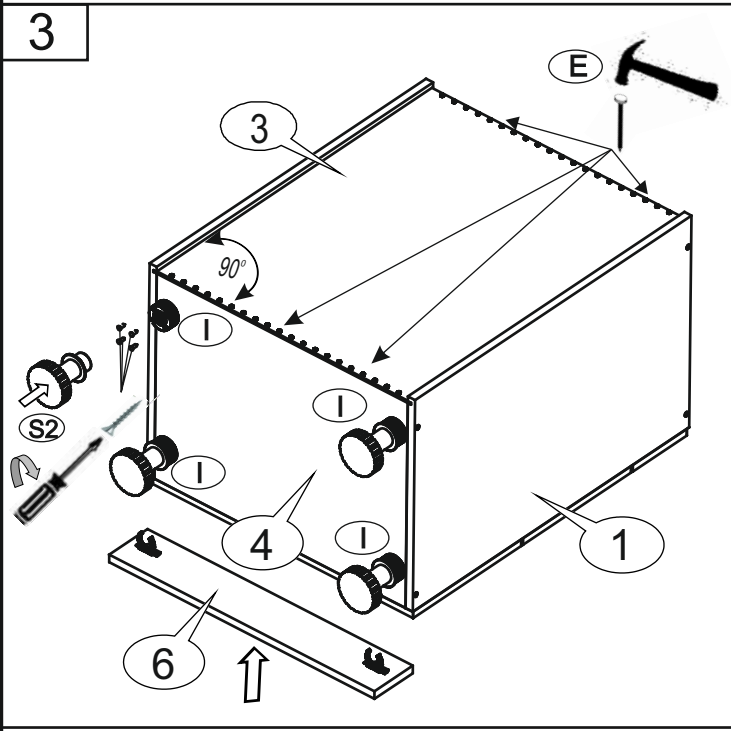
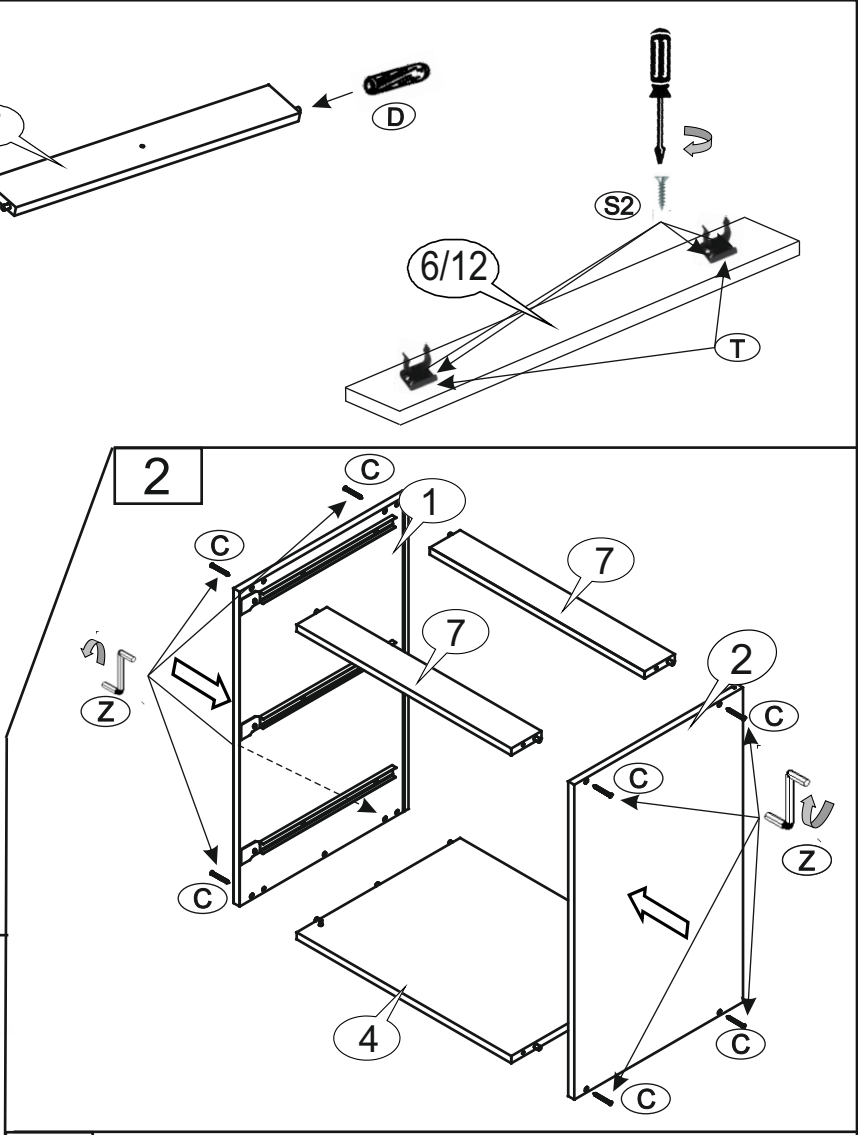
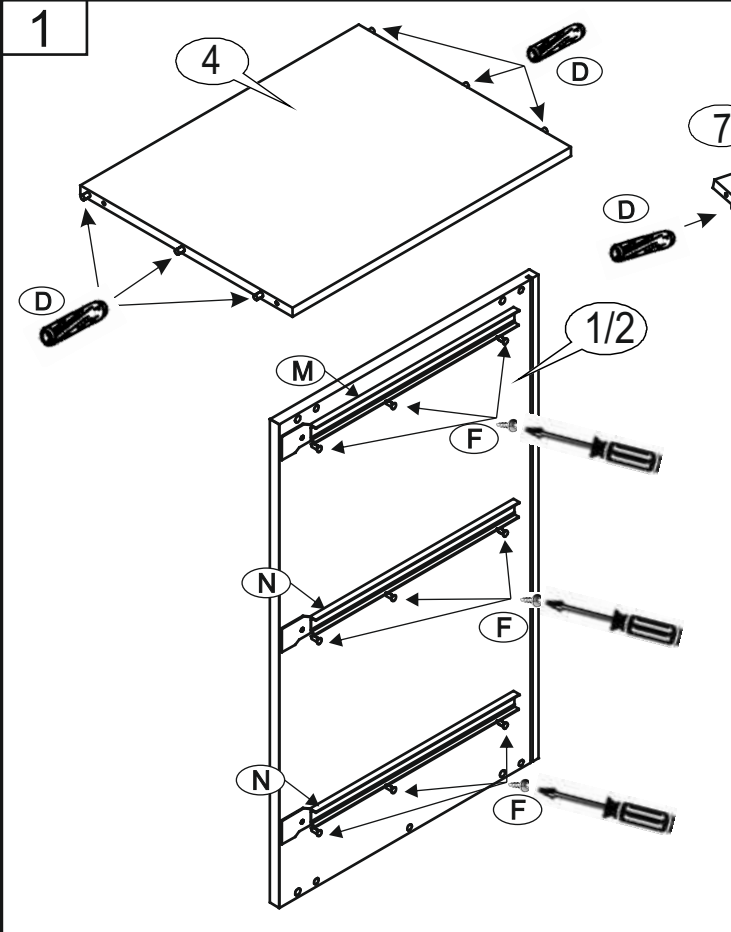


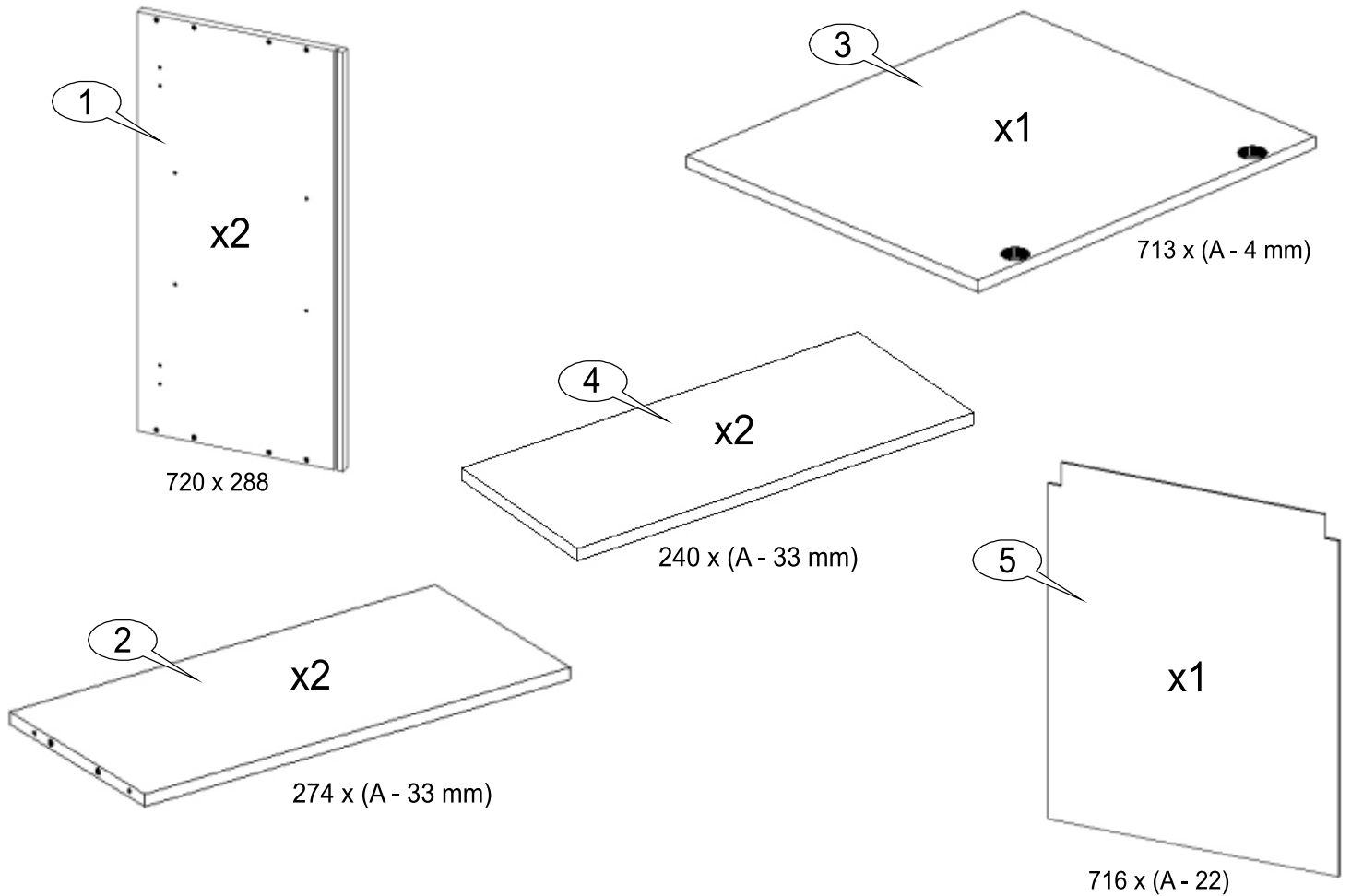
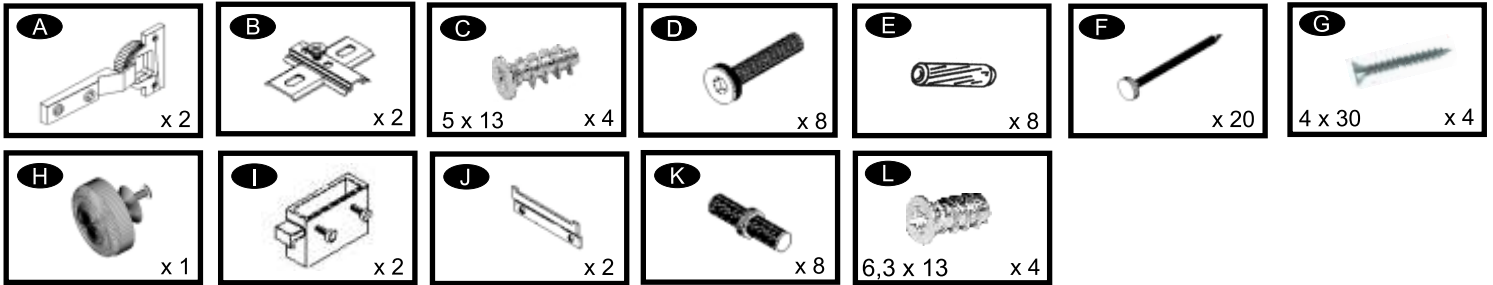
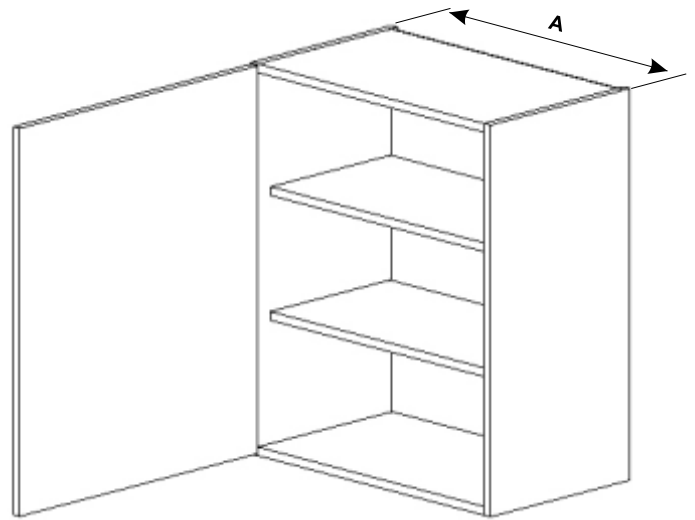
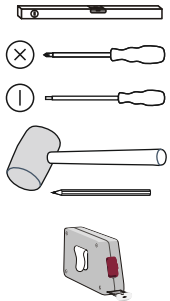
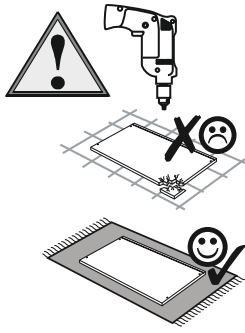
D40 S/3; D45 S/3; D50 S/3; D60 S/3

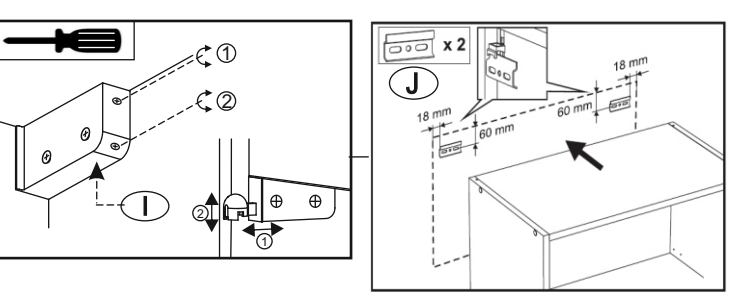
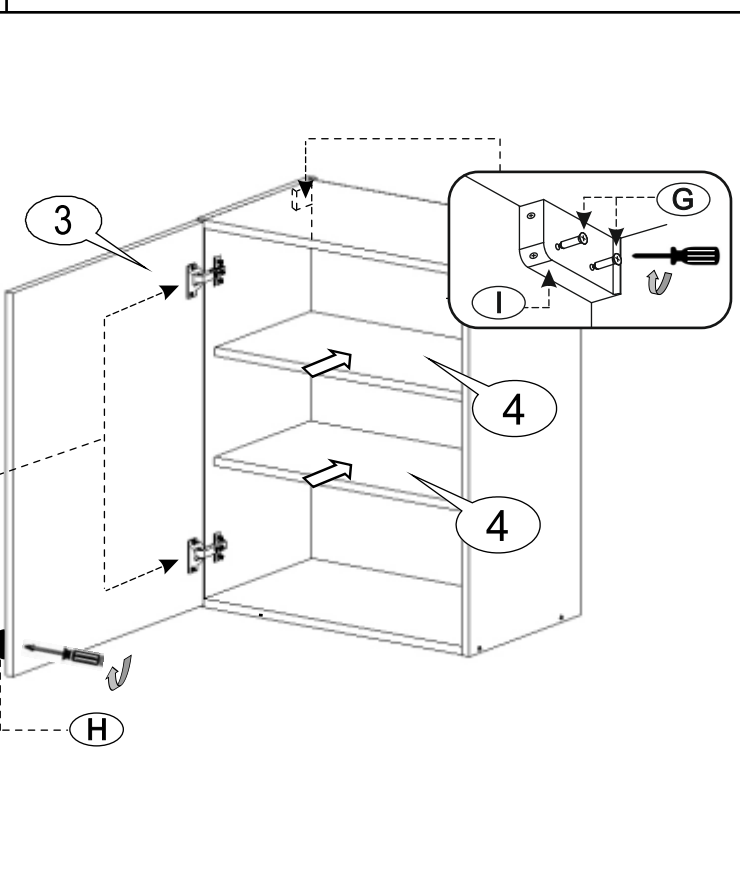
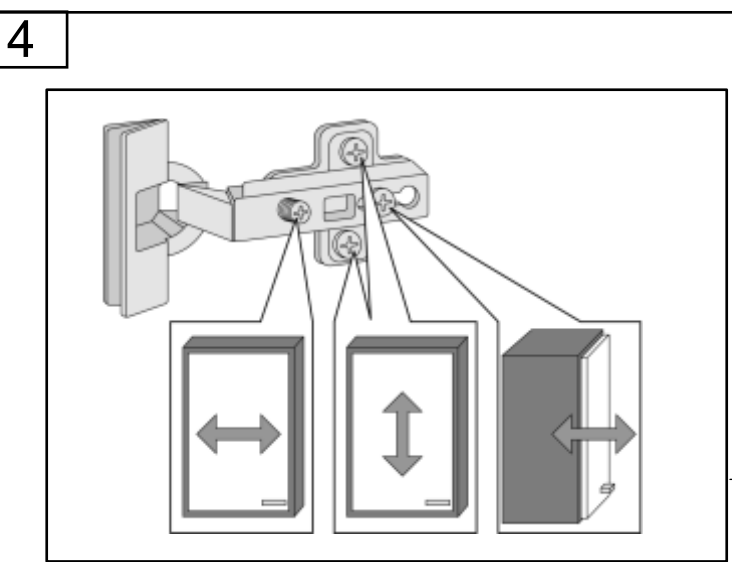
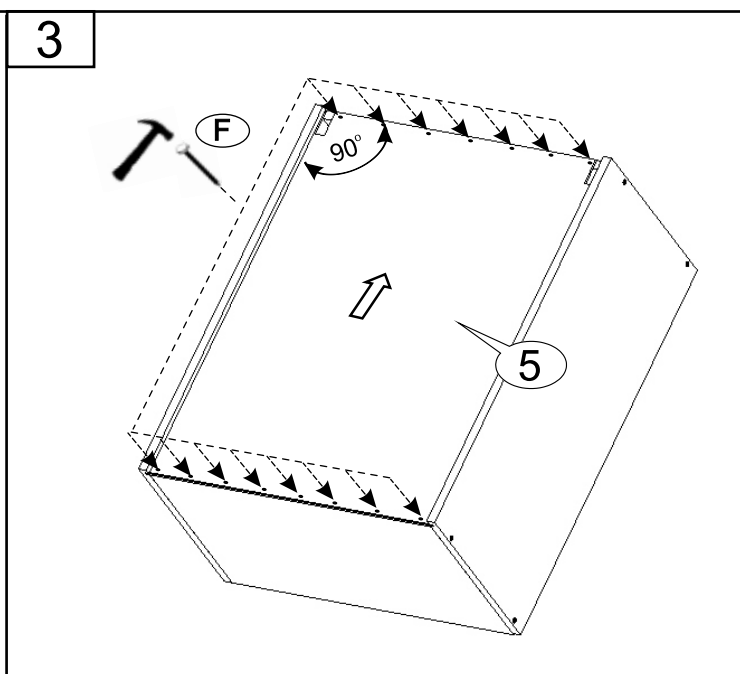
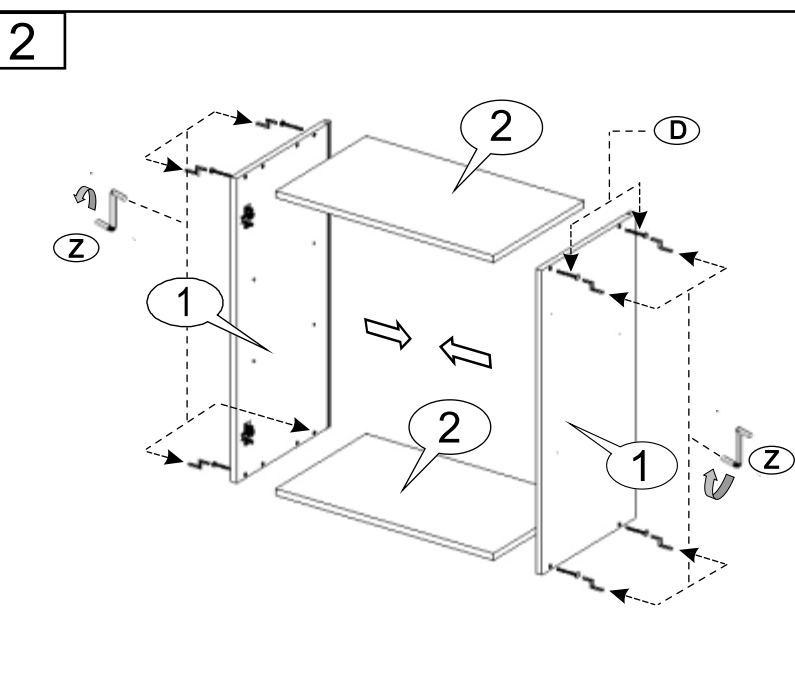
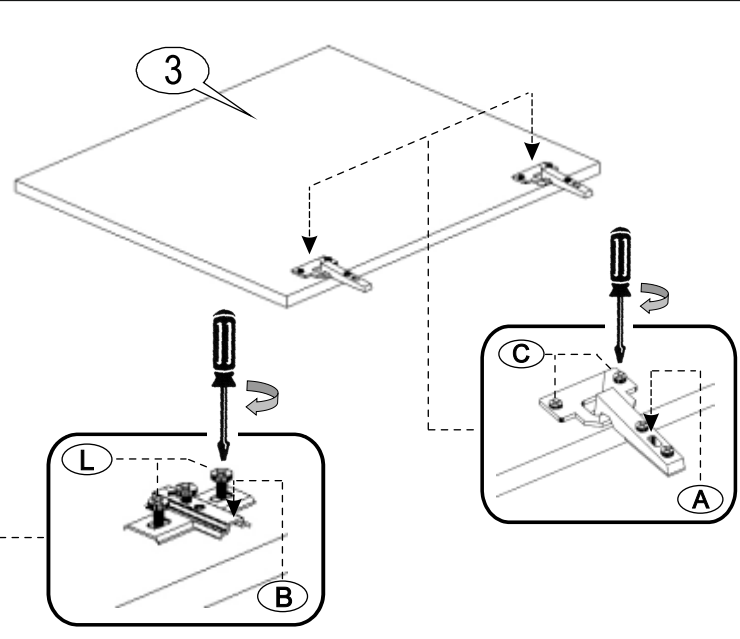
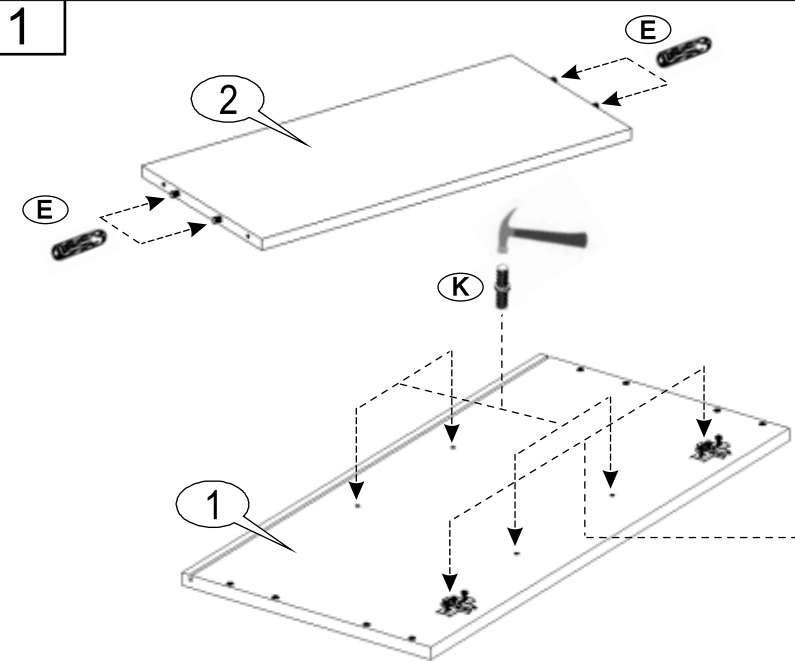


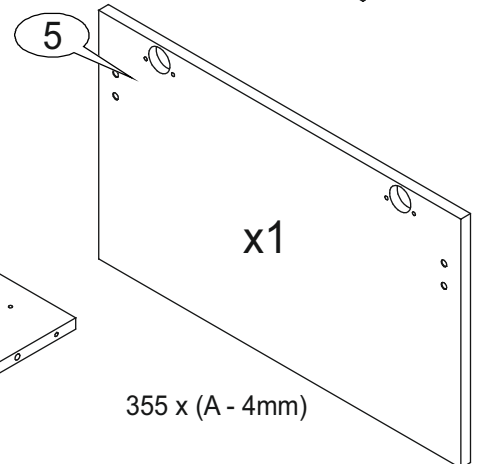
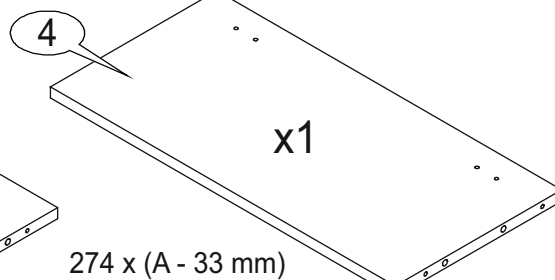
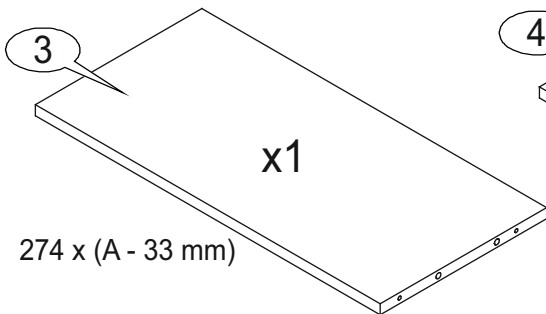
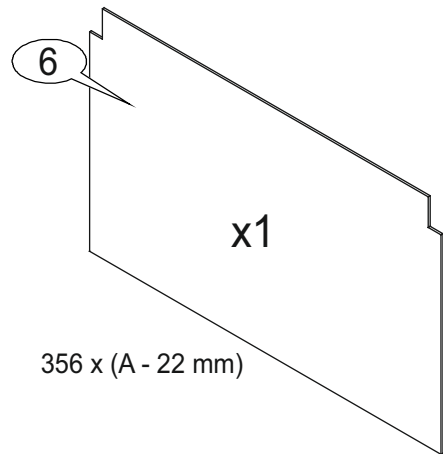
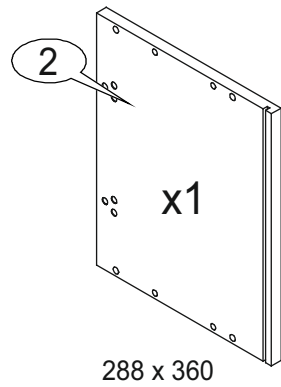
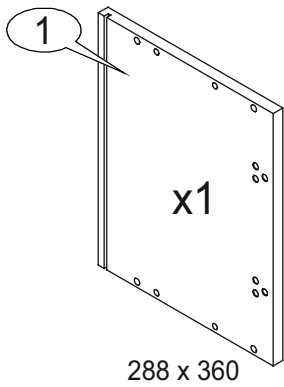
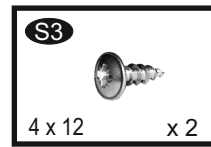
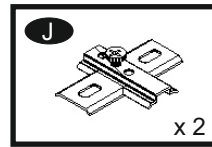
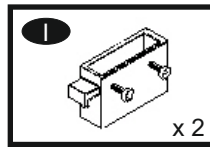
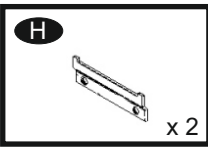
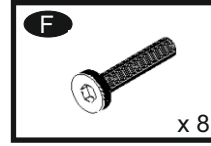
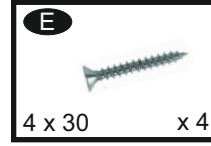
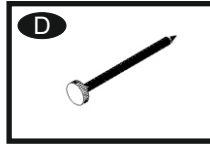
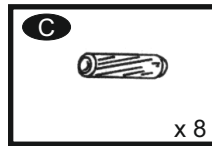
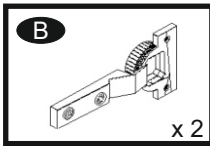
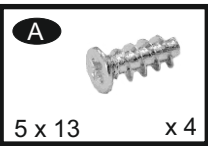
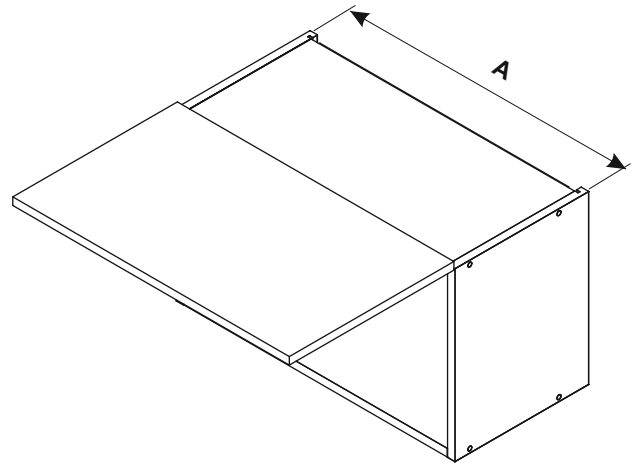
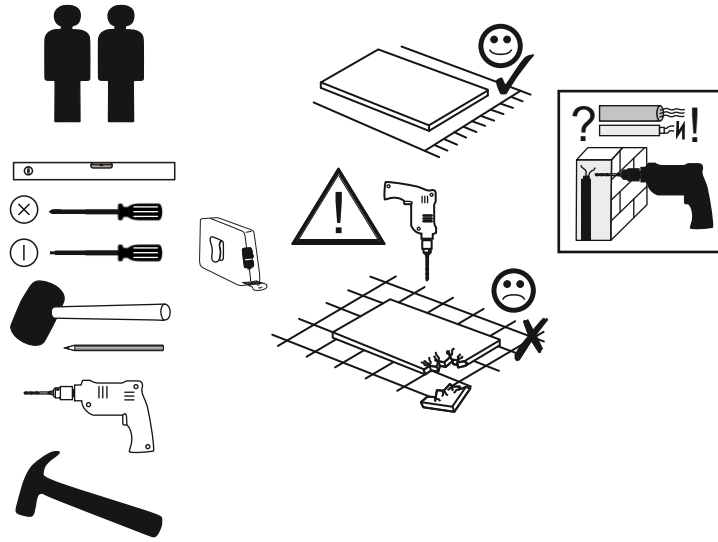
Z  x 1	C  x 8	D  x 10	E  x 20	M  H - 86 x 1 kpl.	N  H-150 x 2 kpl.	S3  4 x 12 x 36	F  6,3 x 13 x 18	
I  x 4	S2  4 x 16 x 24	T  x 4	R  4 x 35 x 2					

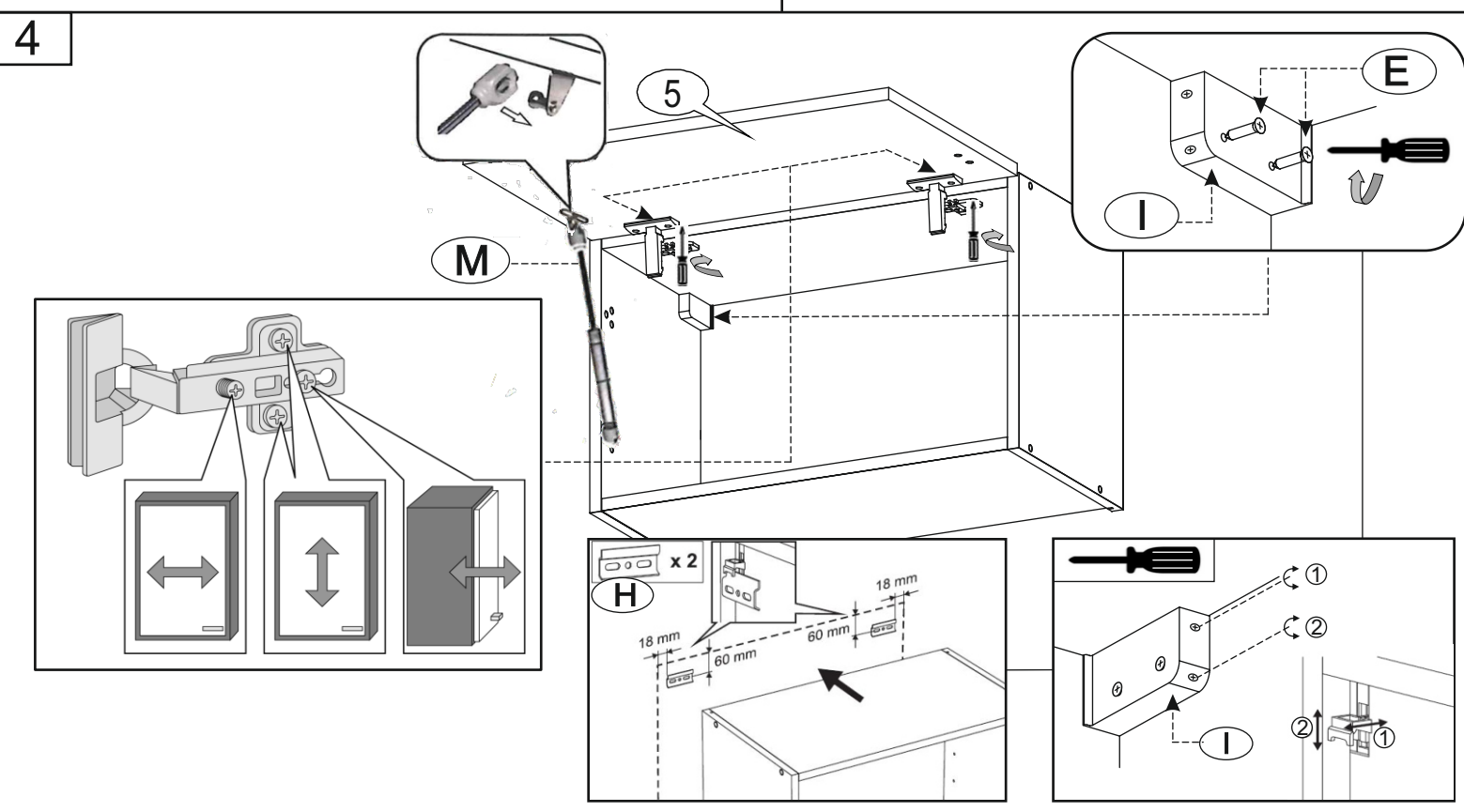
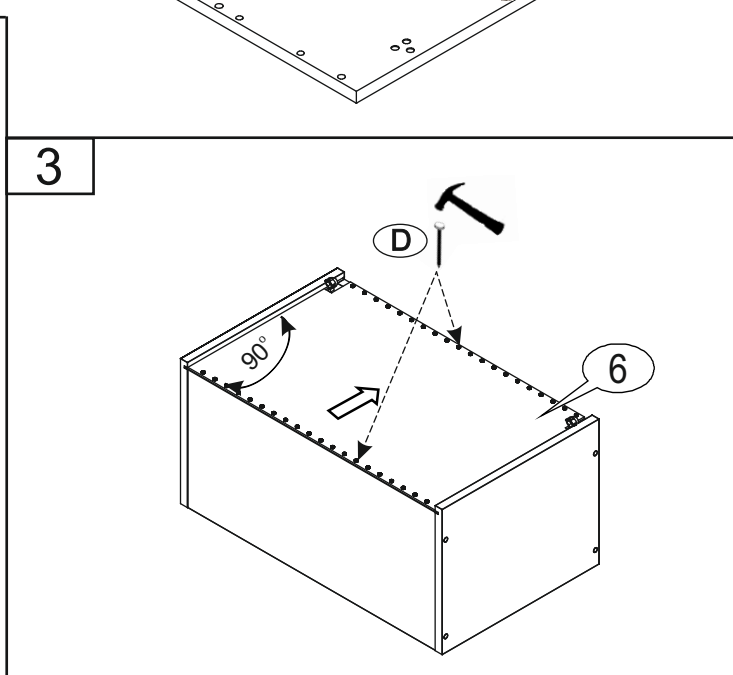
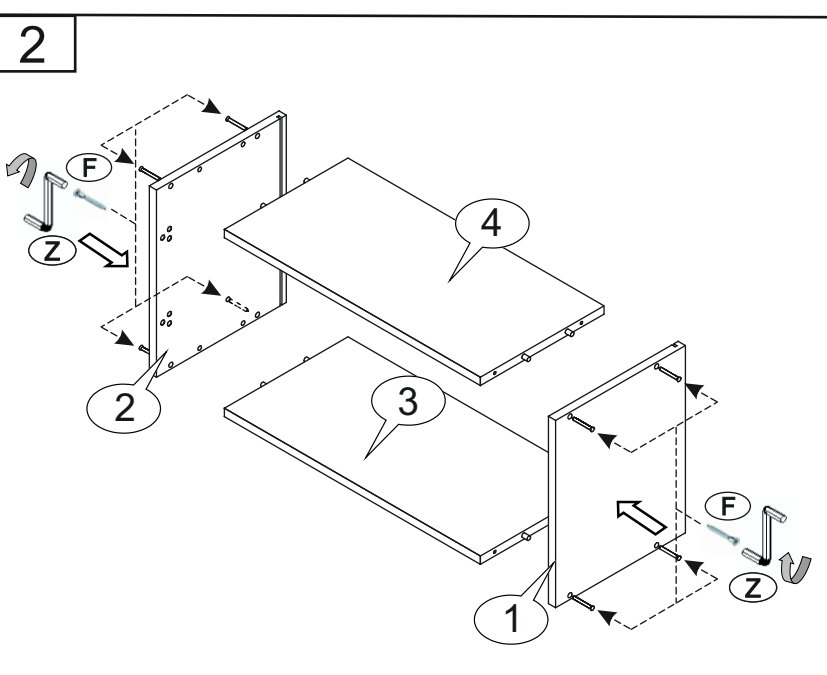
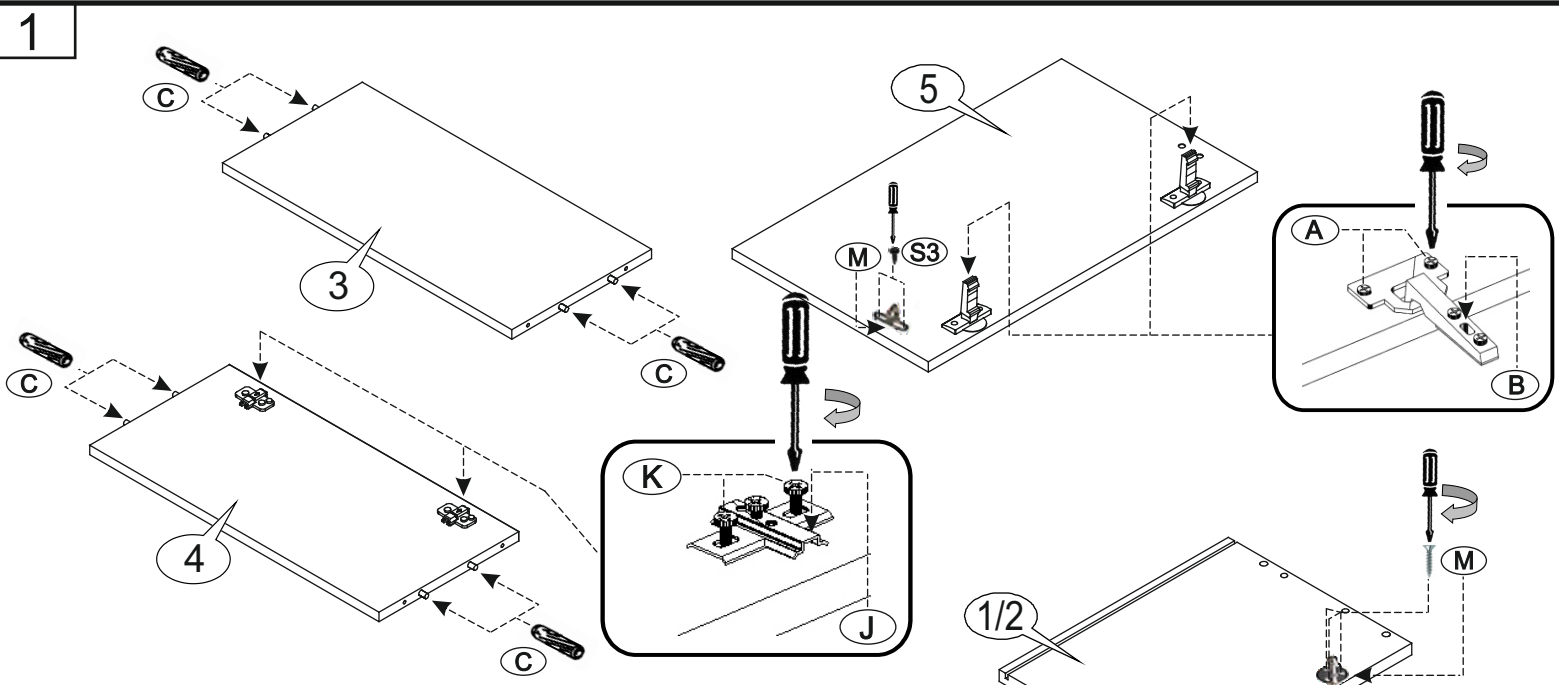


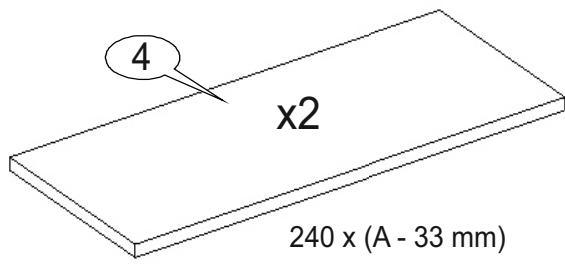
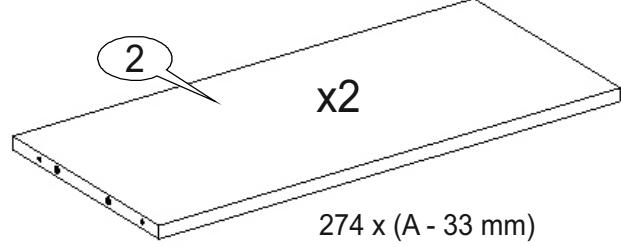
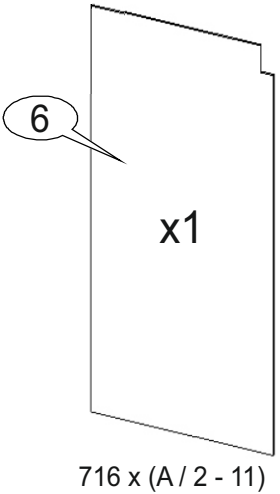
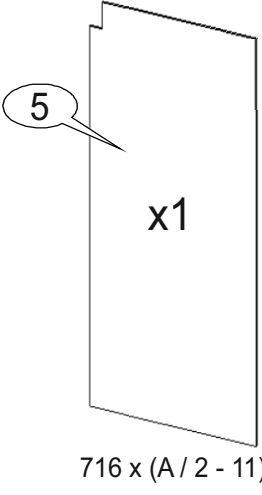
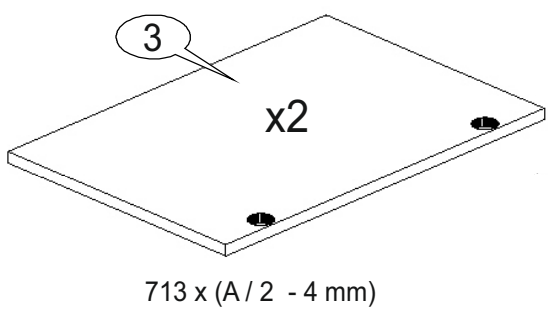
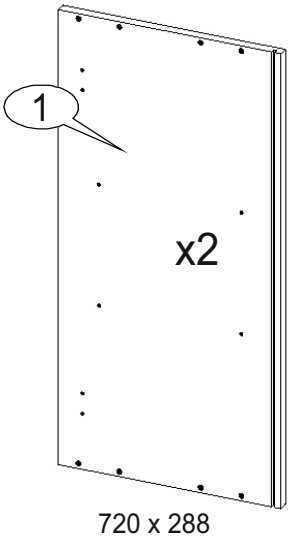
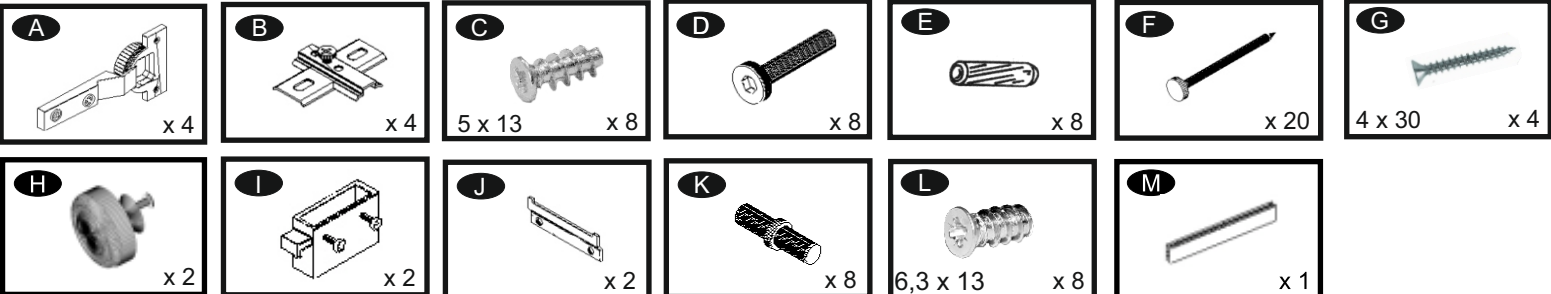
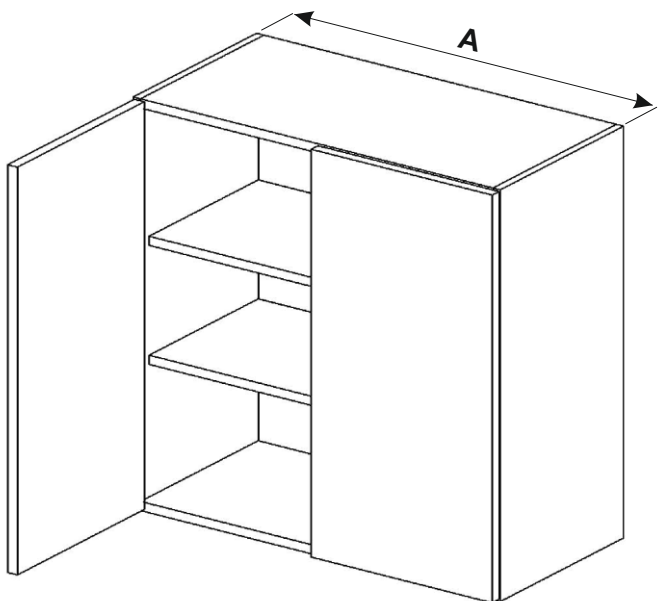
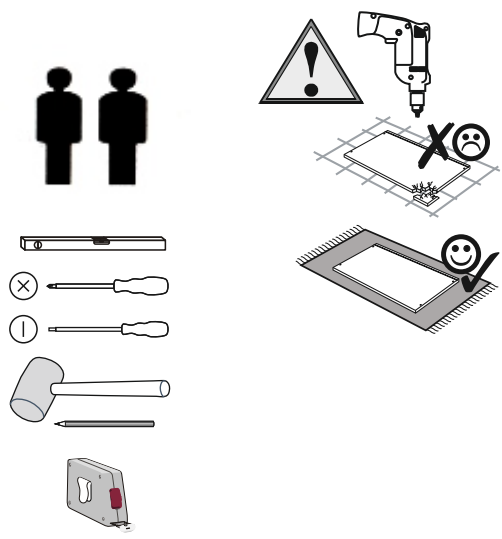


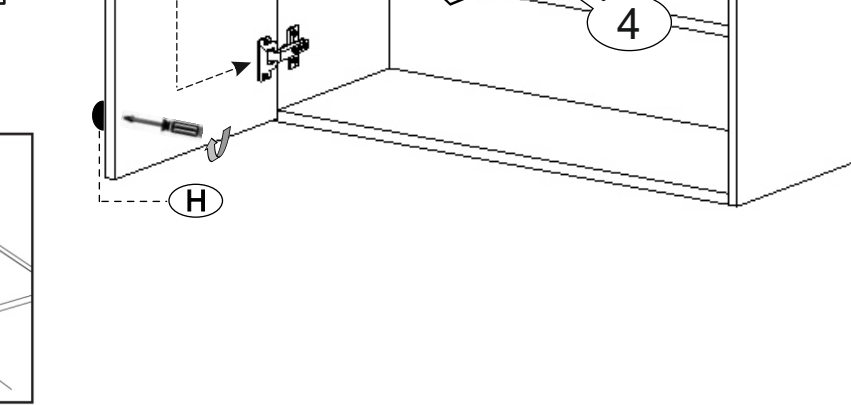
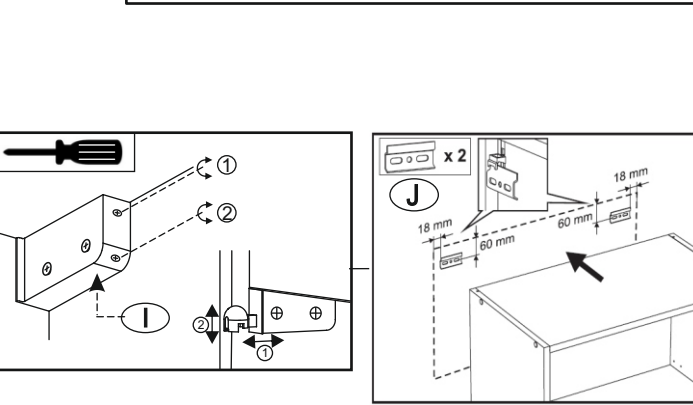
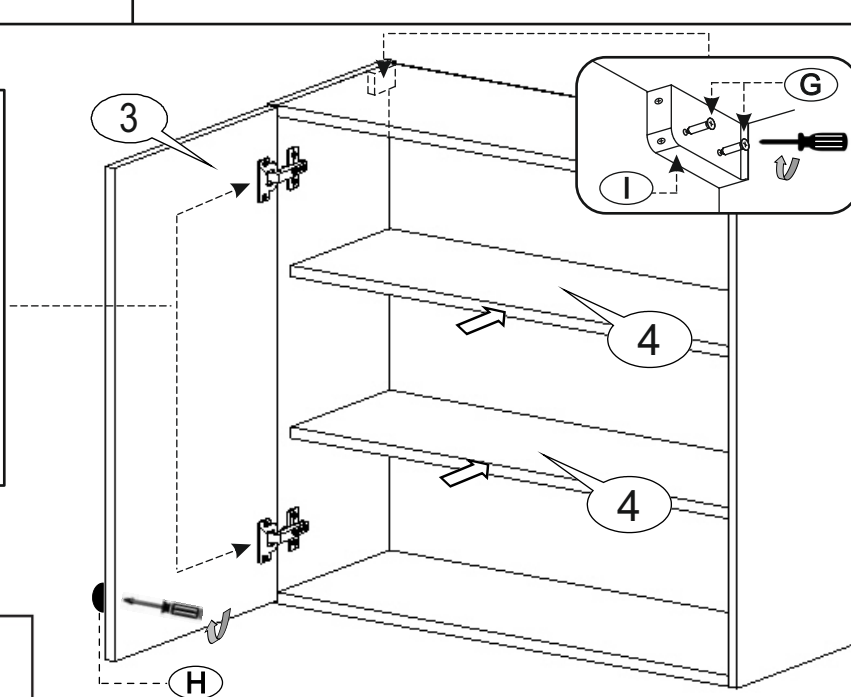
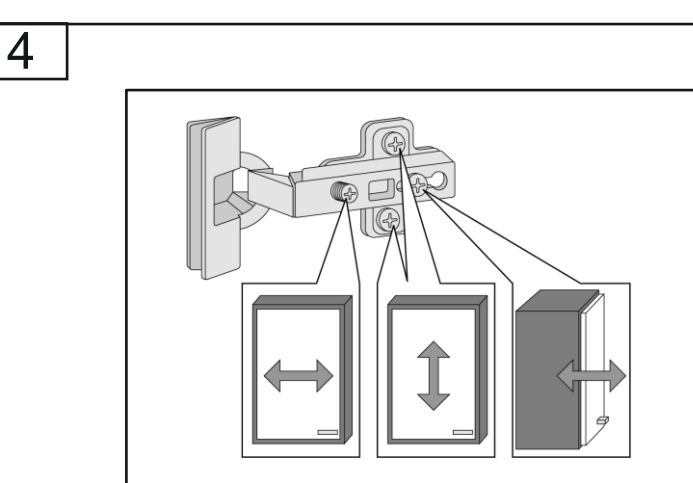
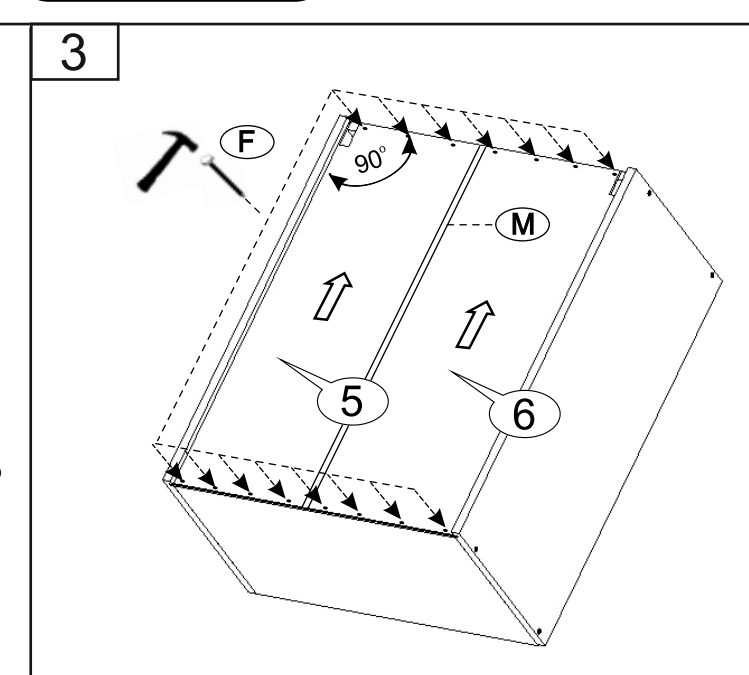
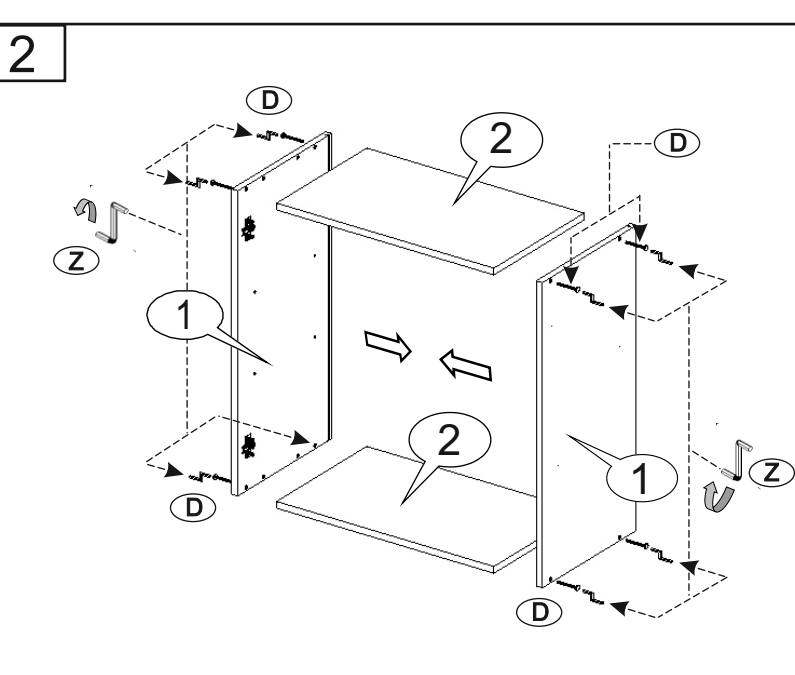
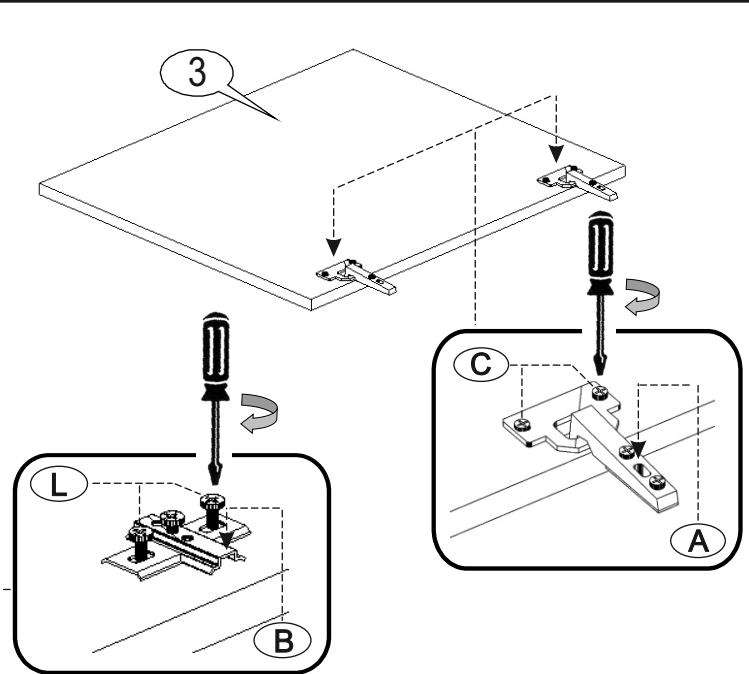
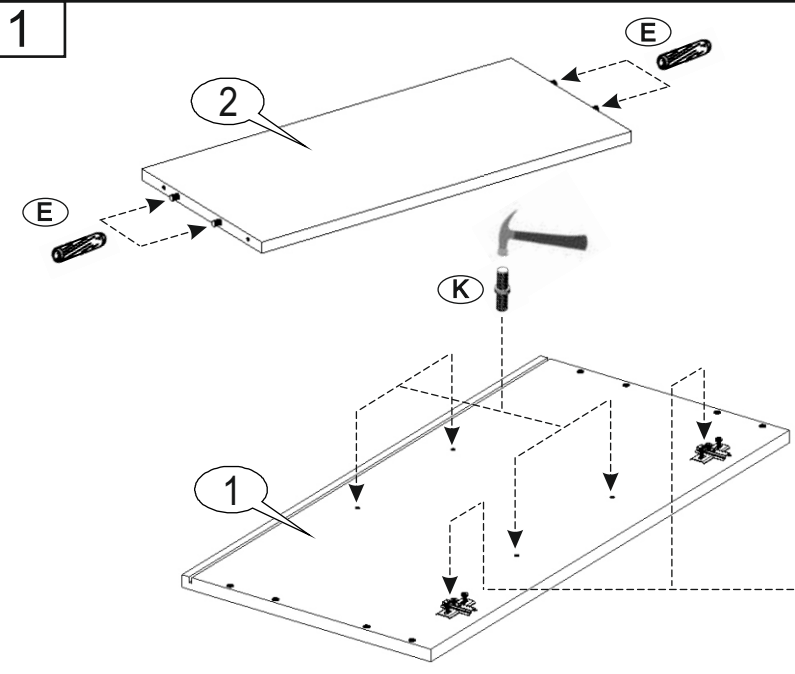












W60 PÓŁKA P/L

