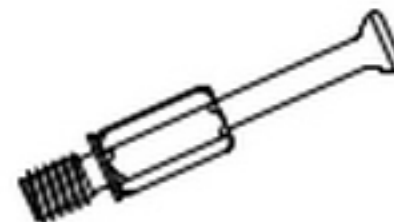



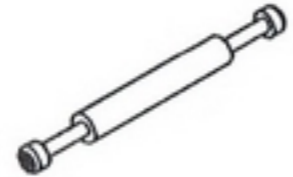







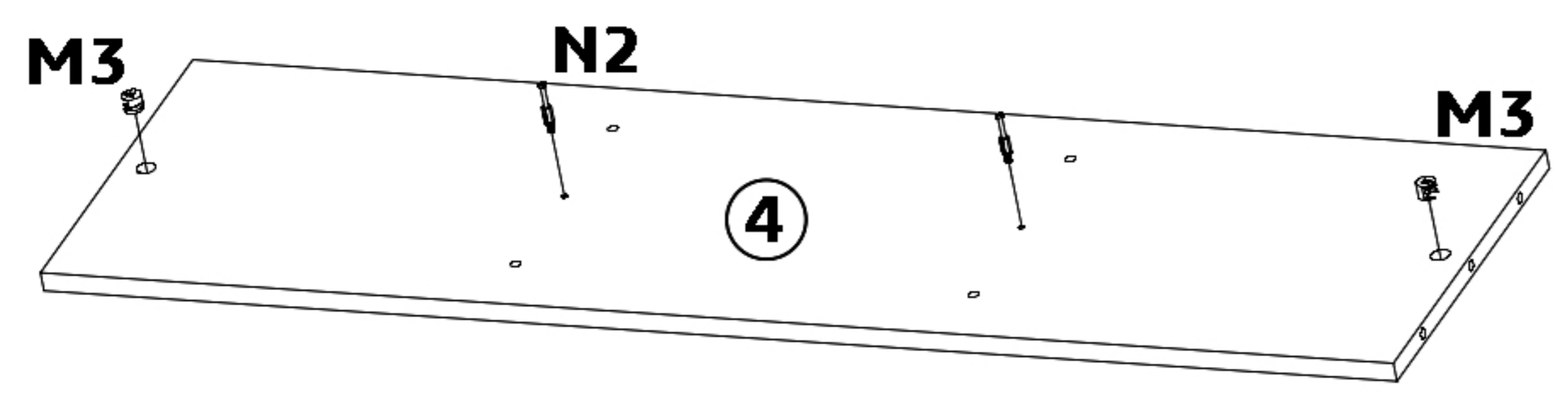
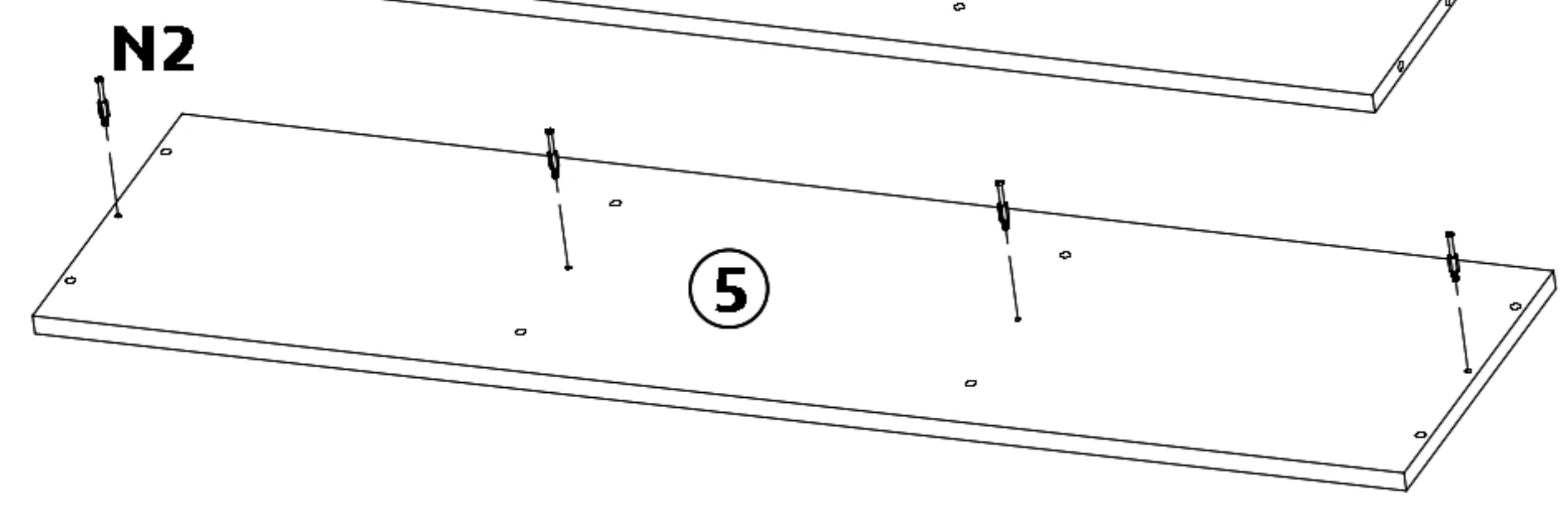
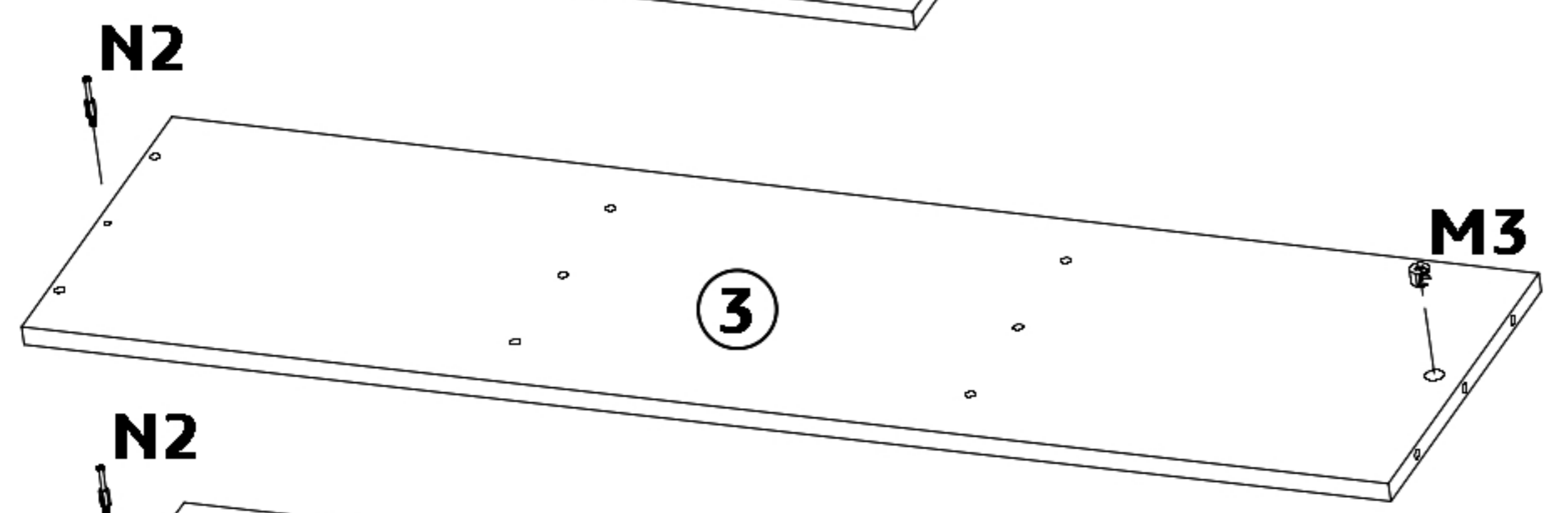
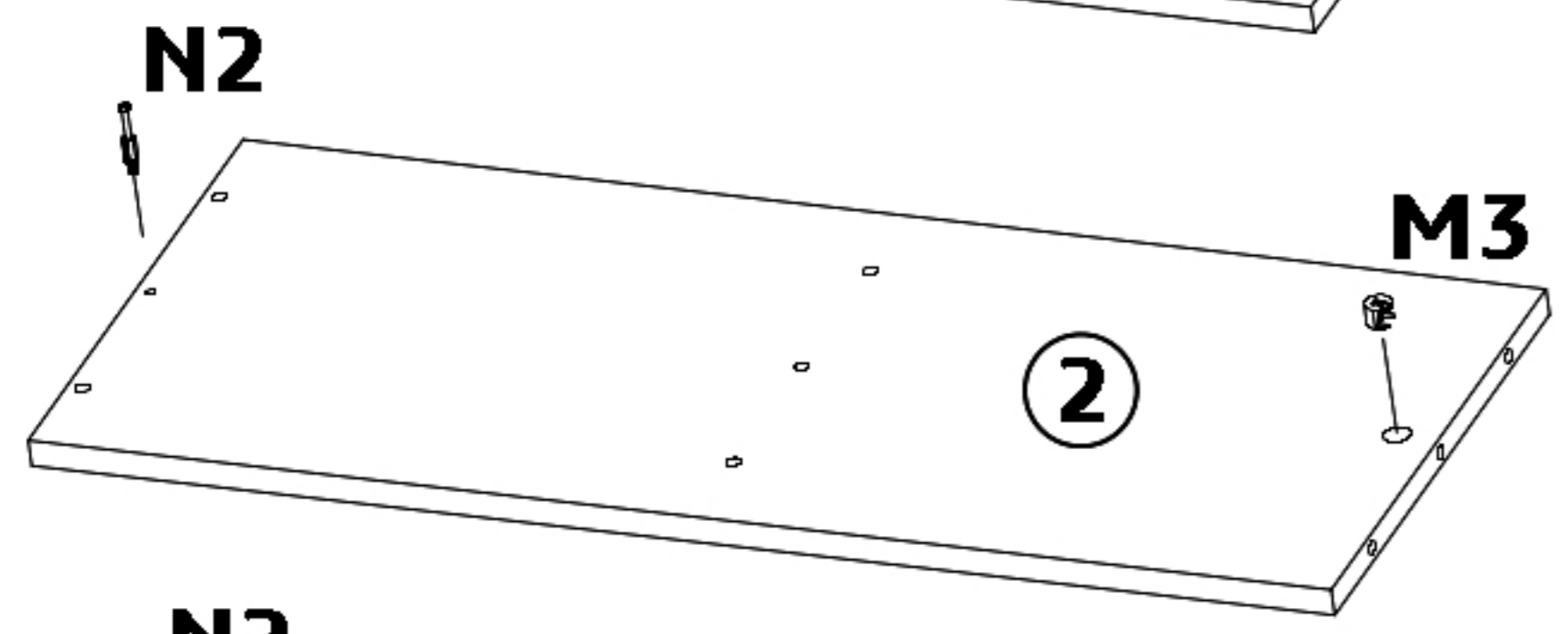
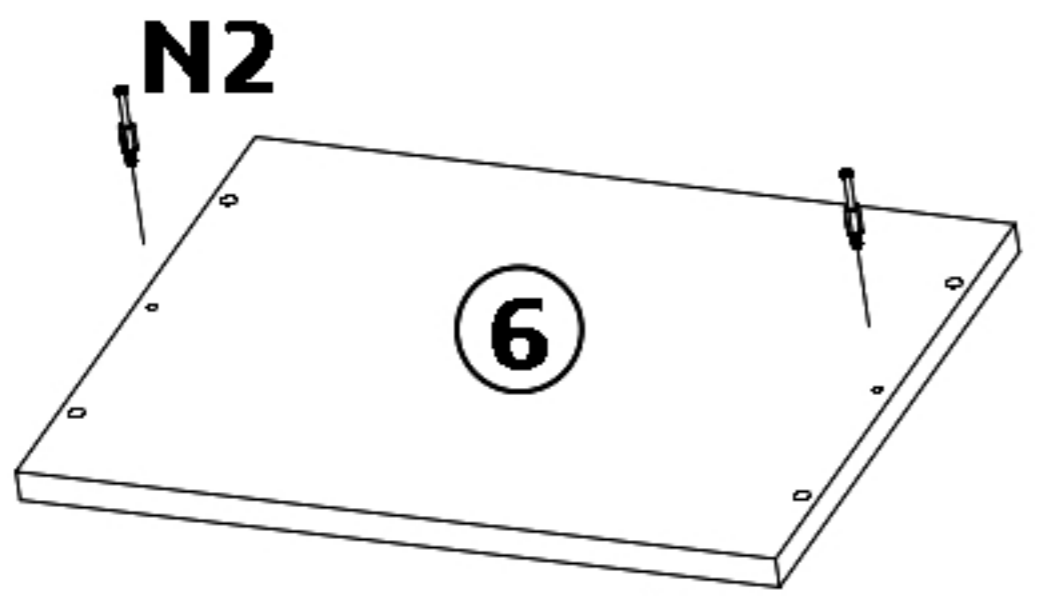
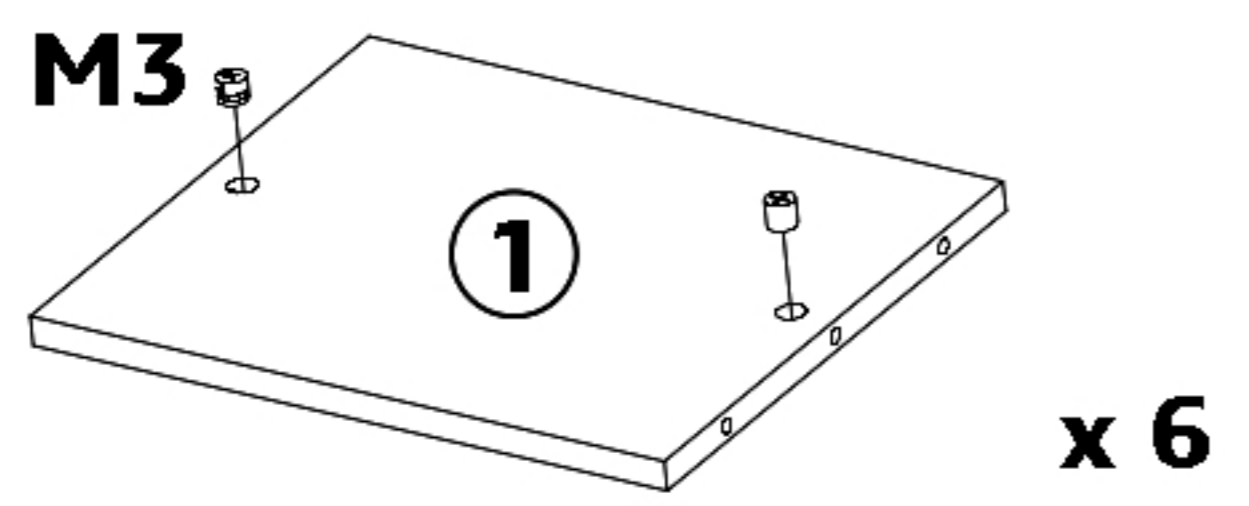
N2  L=35mm x 10	M3  12x15mm x 16	E1  8x30mm x 20	E3  8x50mm x 6	N3  L=63mm x 3	T1  x 6	M2  ø16mm x 16	 x 1
--	---	--	--	---	--	---	---

1	x 6
2	x 1
3	x 1
4	x 1
5	x 1
6	x 1


1

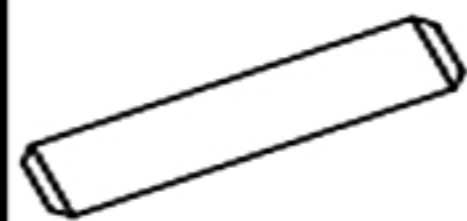
N2

20,3 x 10

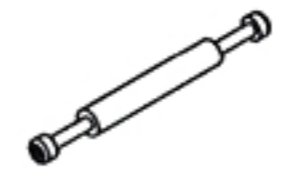
M3

x 16

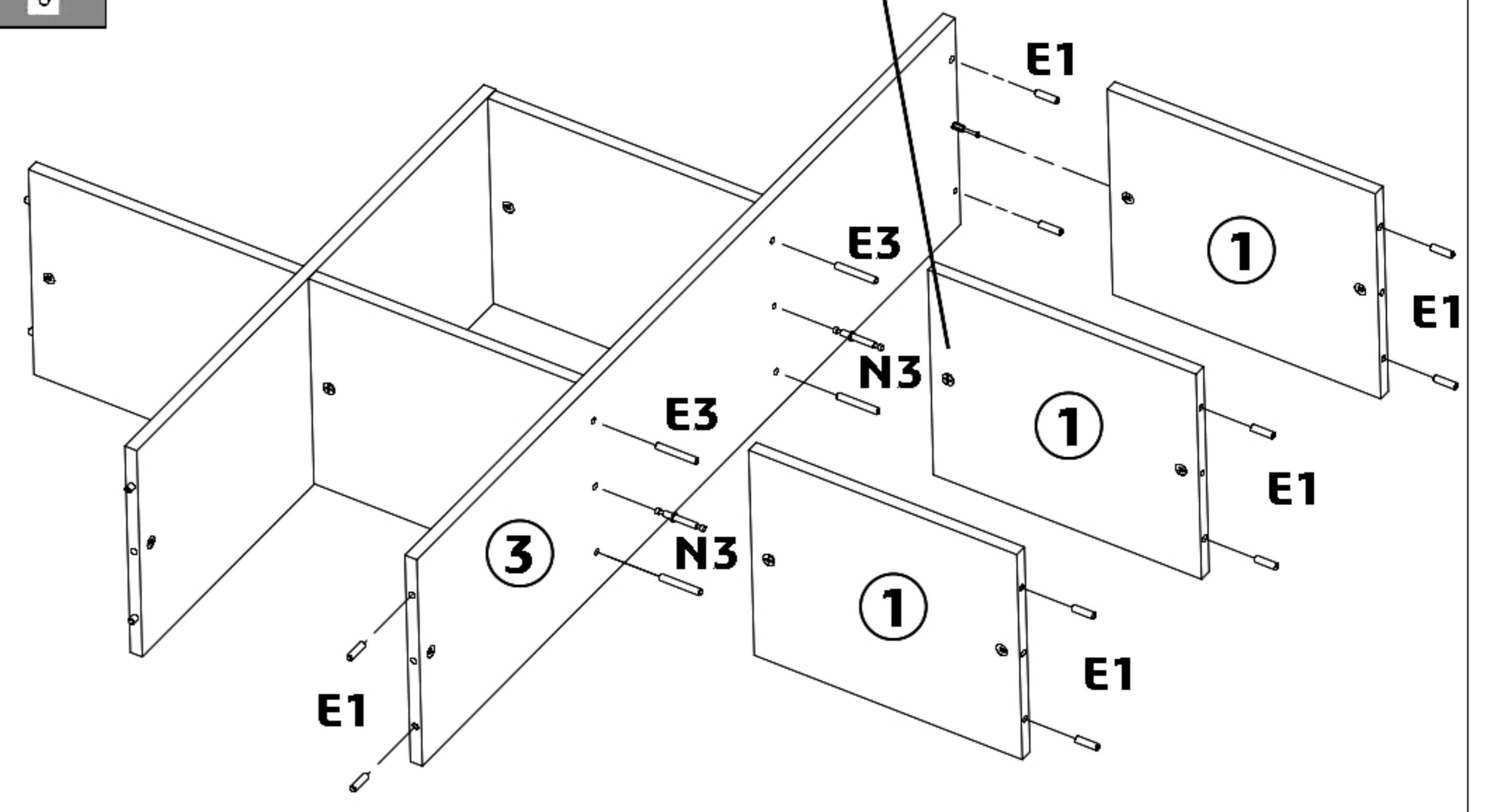
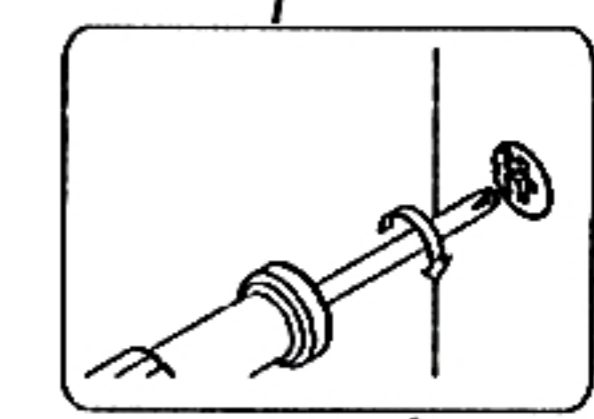
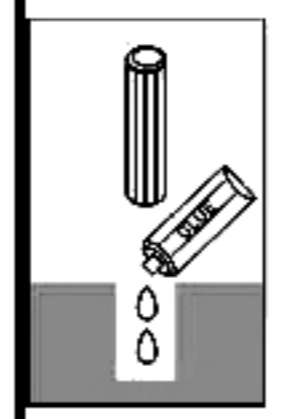
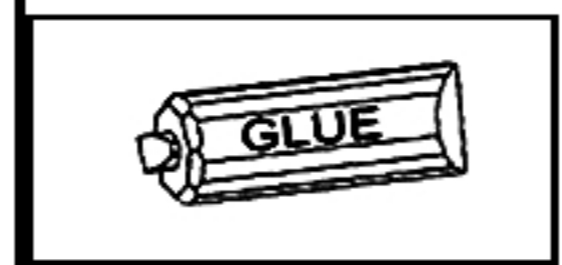
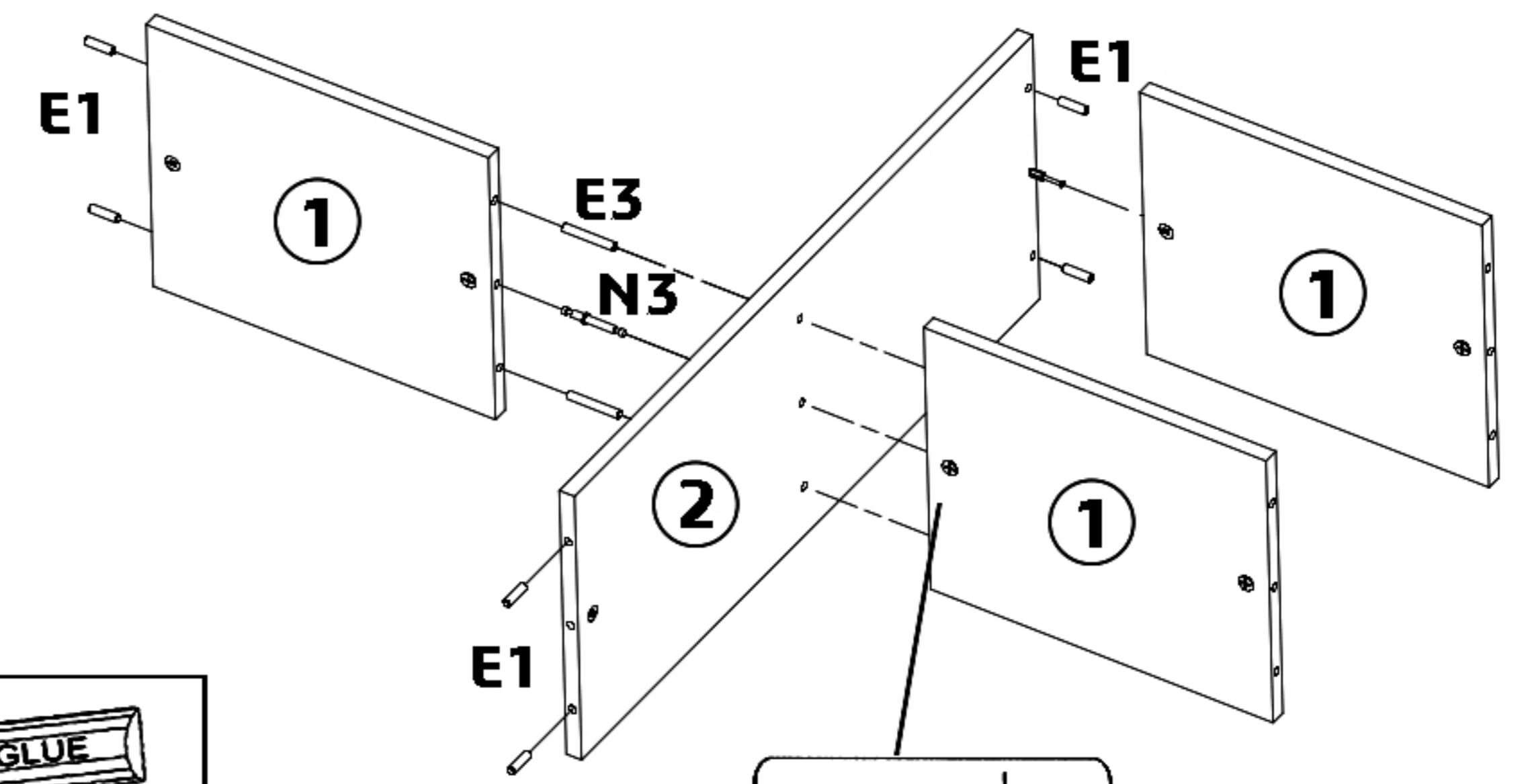


2

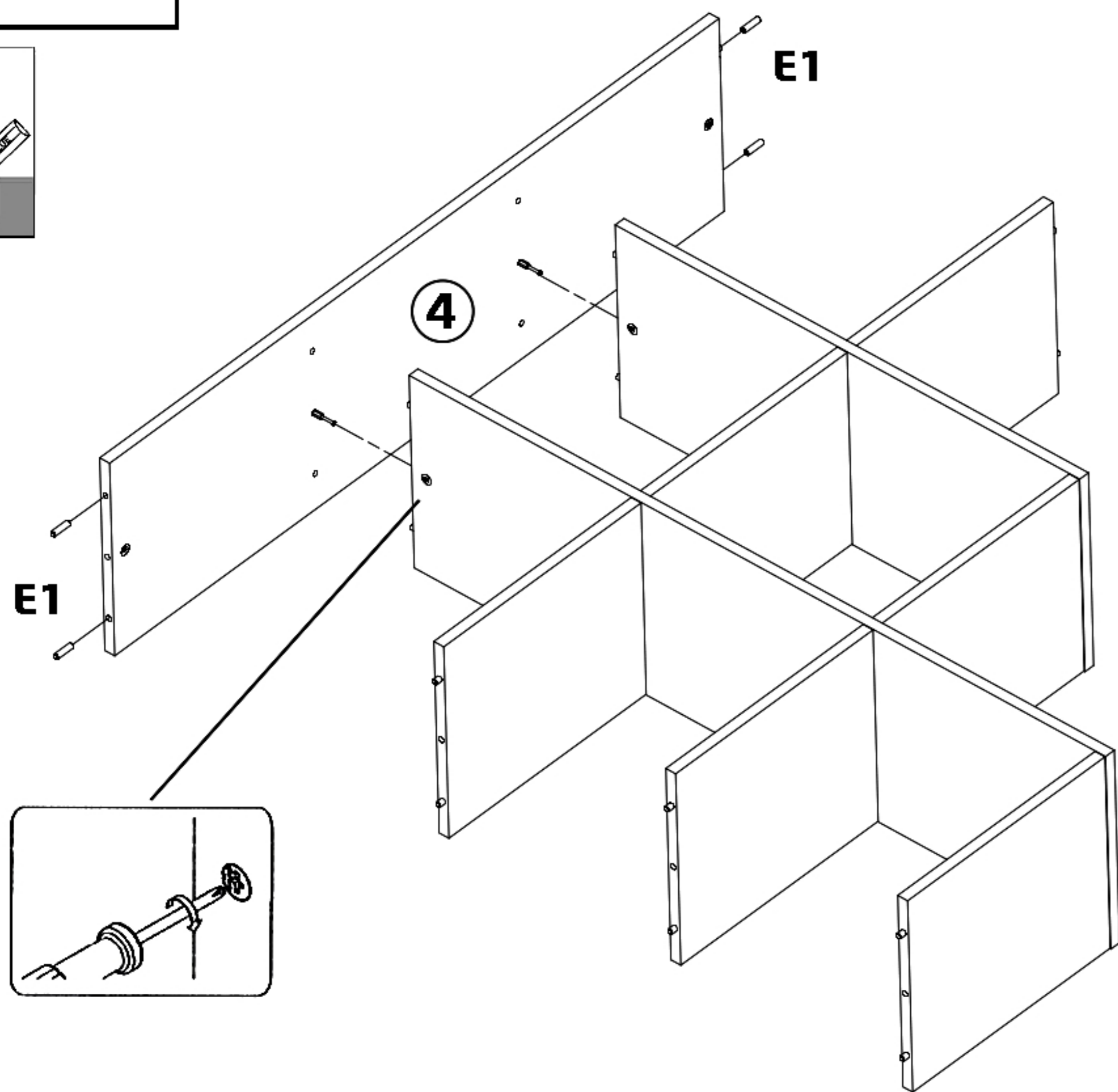
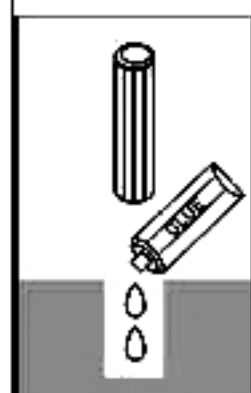
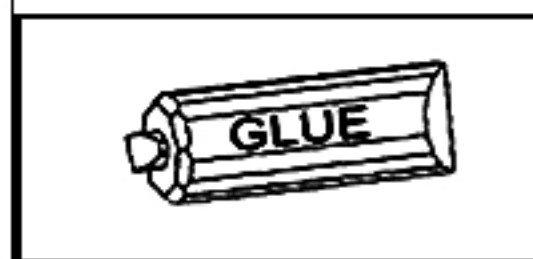
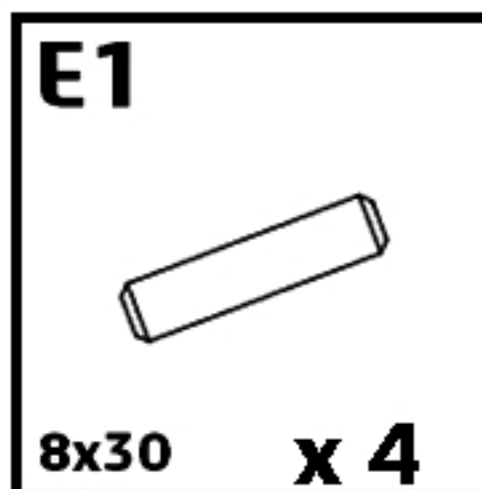
E1

8x30 x 16

E3

8x50 x 6

N3

L=56 x 3



3



4

