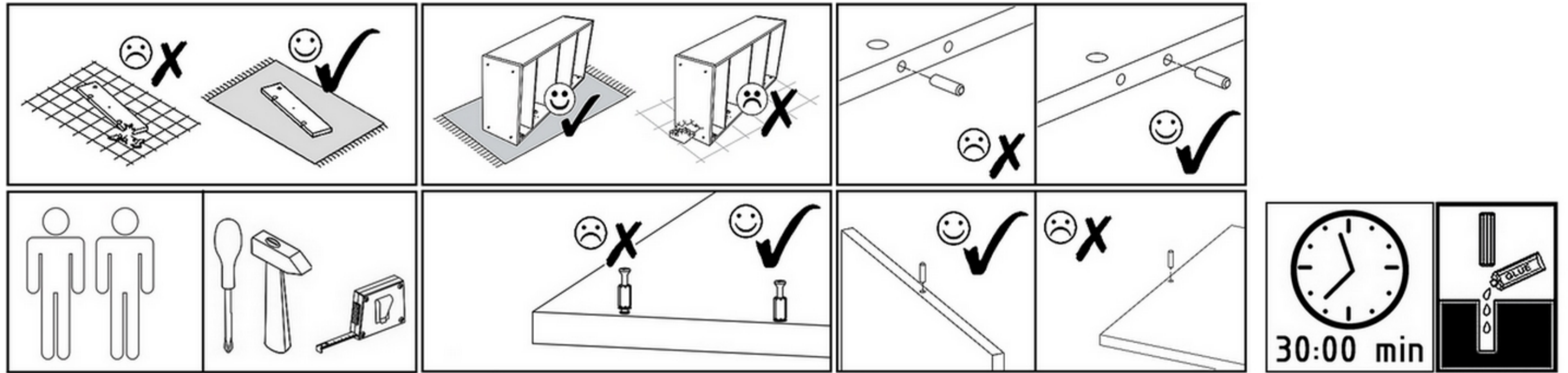
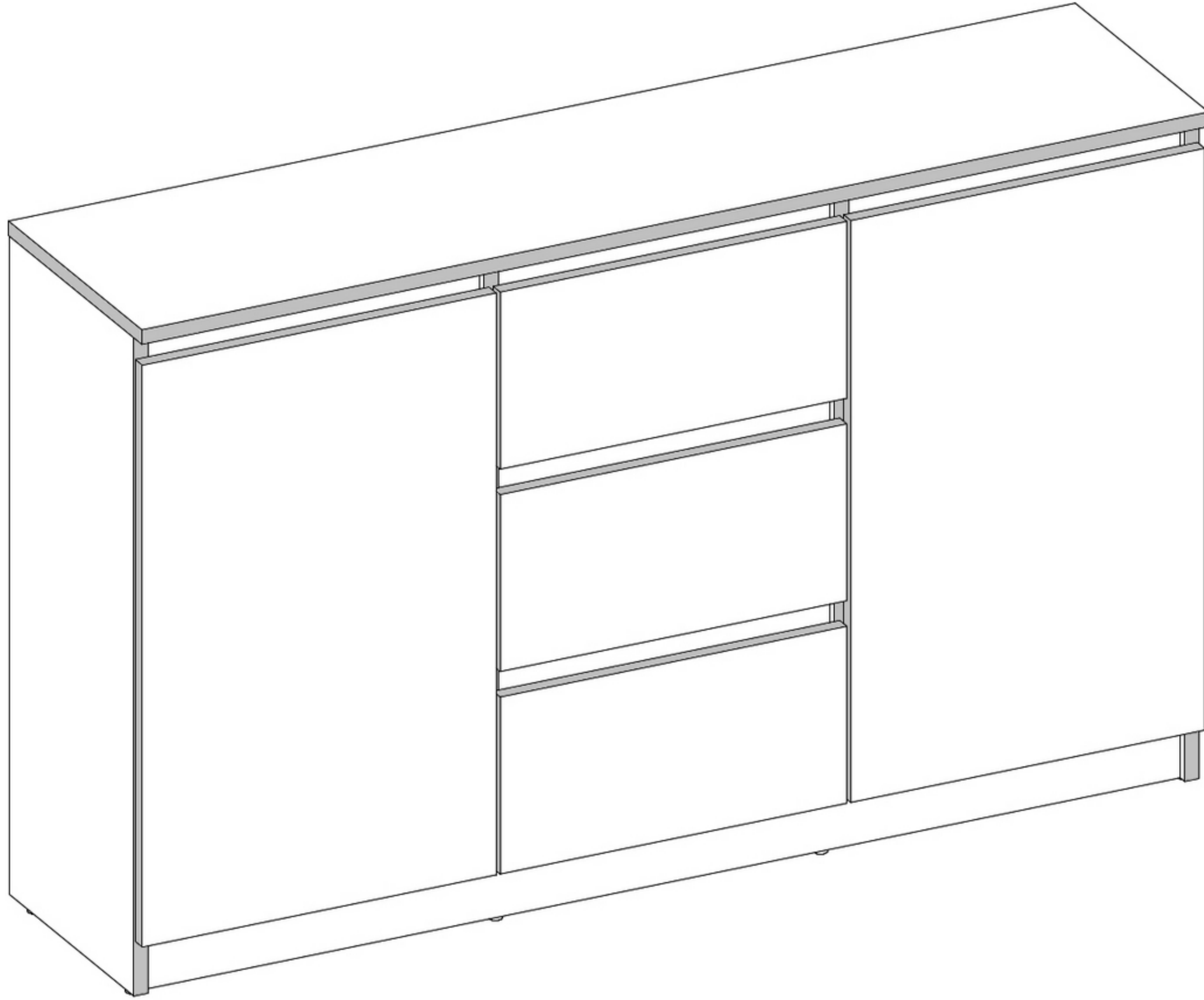
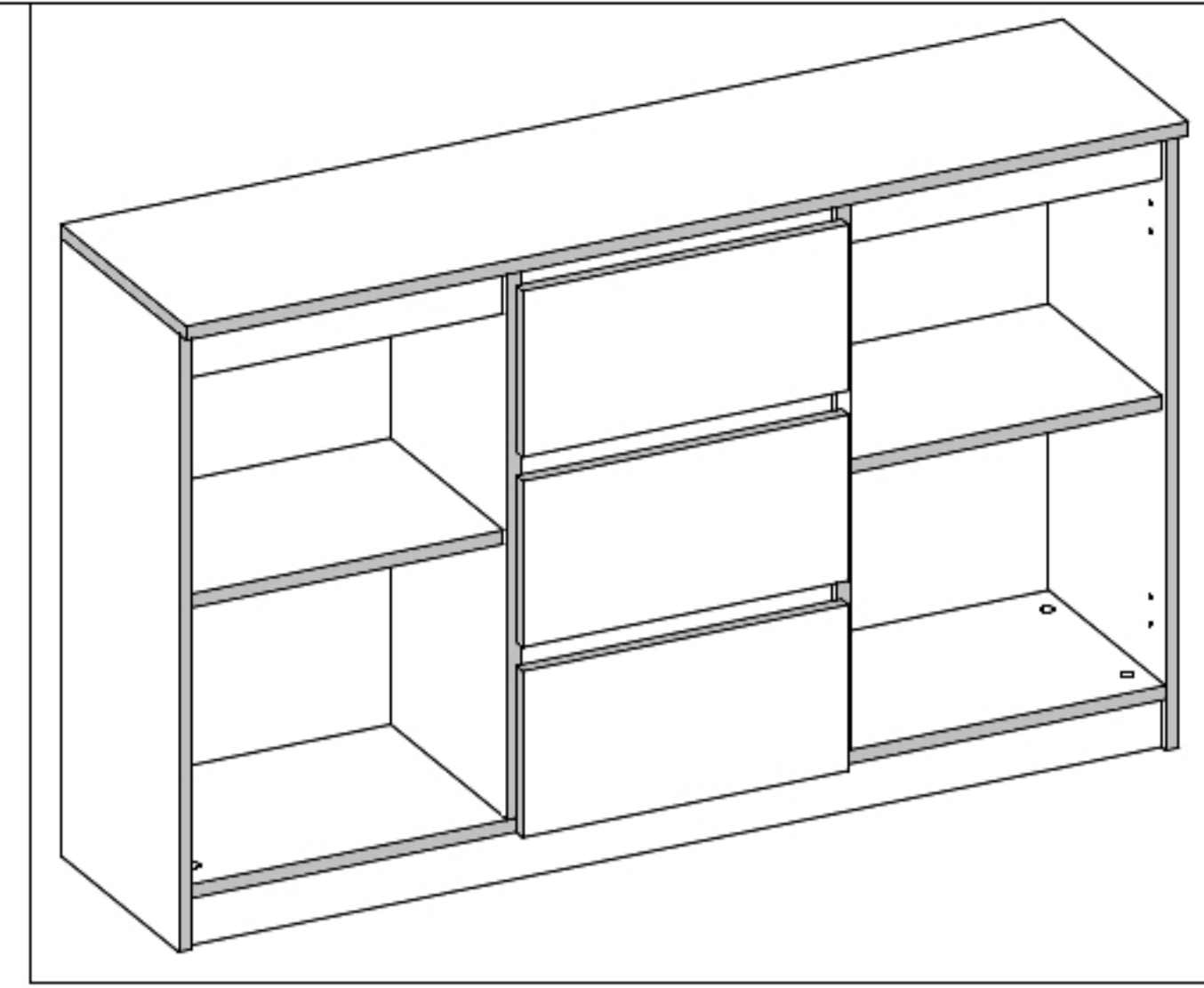






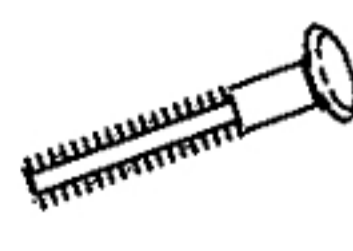

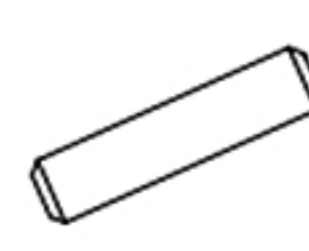

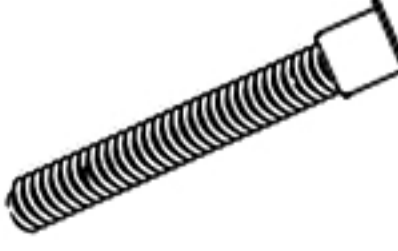
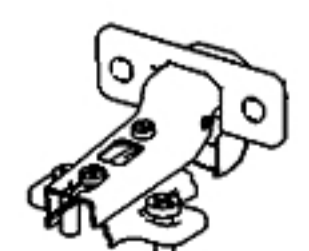


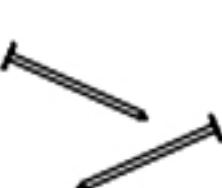
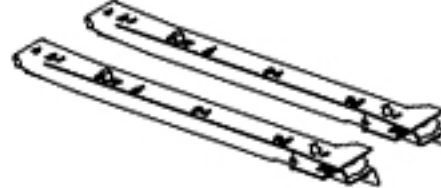


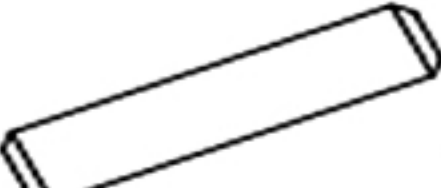



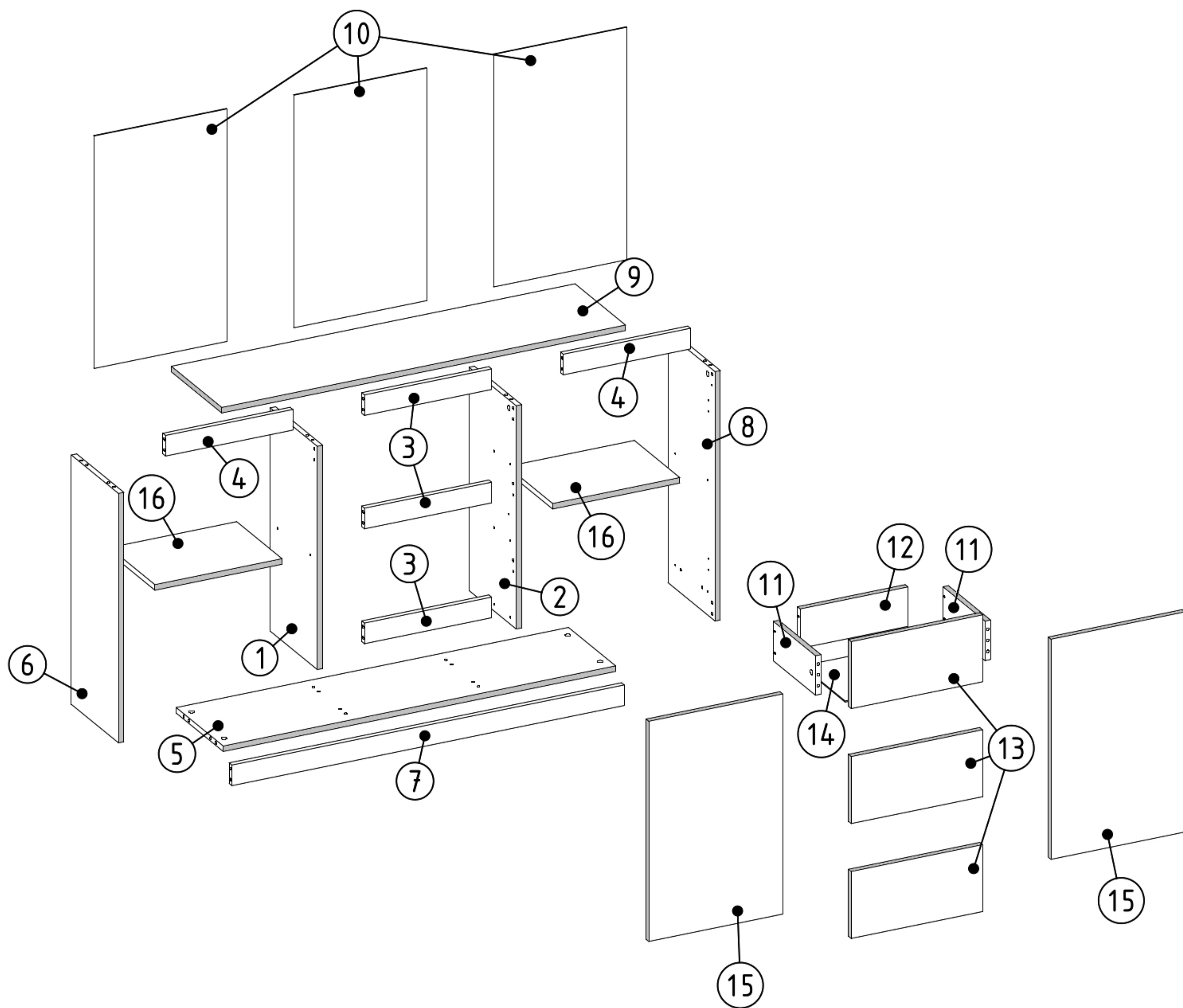


19.01.2022

2D3S

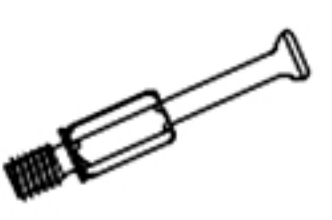

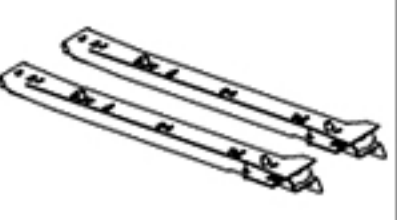




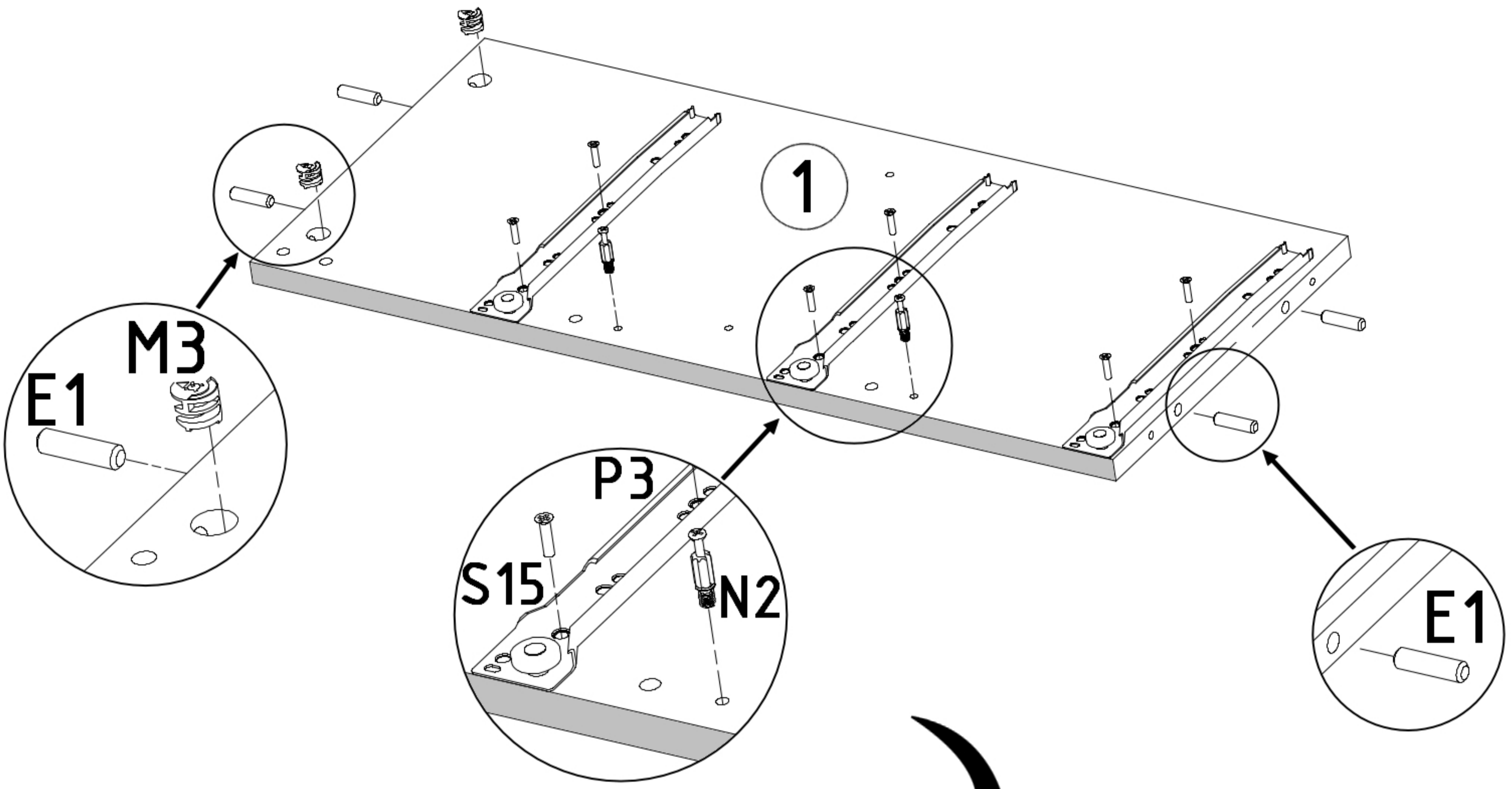
 x 1	S5  2,5x20 mm x 8	K2  x 1	K1  GLUE					
N2  L=35 mm x 24	M3  12x15 mm x 28	E4  L=43 mm x 12	S1  3,5x16 mm x 22	E1  8x30 mm x 38	D2  5x16 mm x 8	F1  7x50 mm x 4	A0  ZP x 4	Z4  x 8
T1  x 8	Z2  x 70	P3  L=250 mm x 3	S15  6x8 mm x 12	M2 x22  ø17 mm x 10	E3  8x50 mm x 2	F3  x 1	N3  L=56 mm x 2	F2 x32  ø12mm x 8




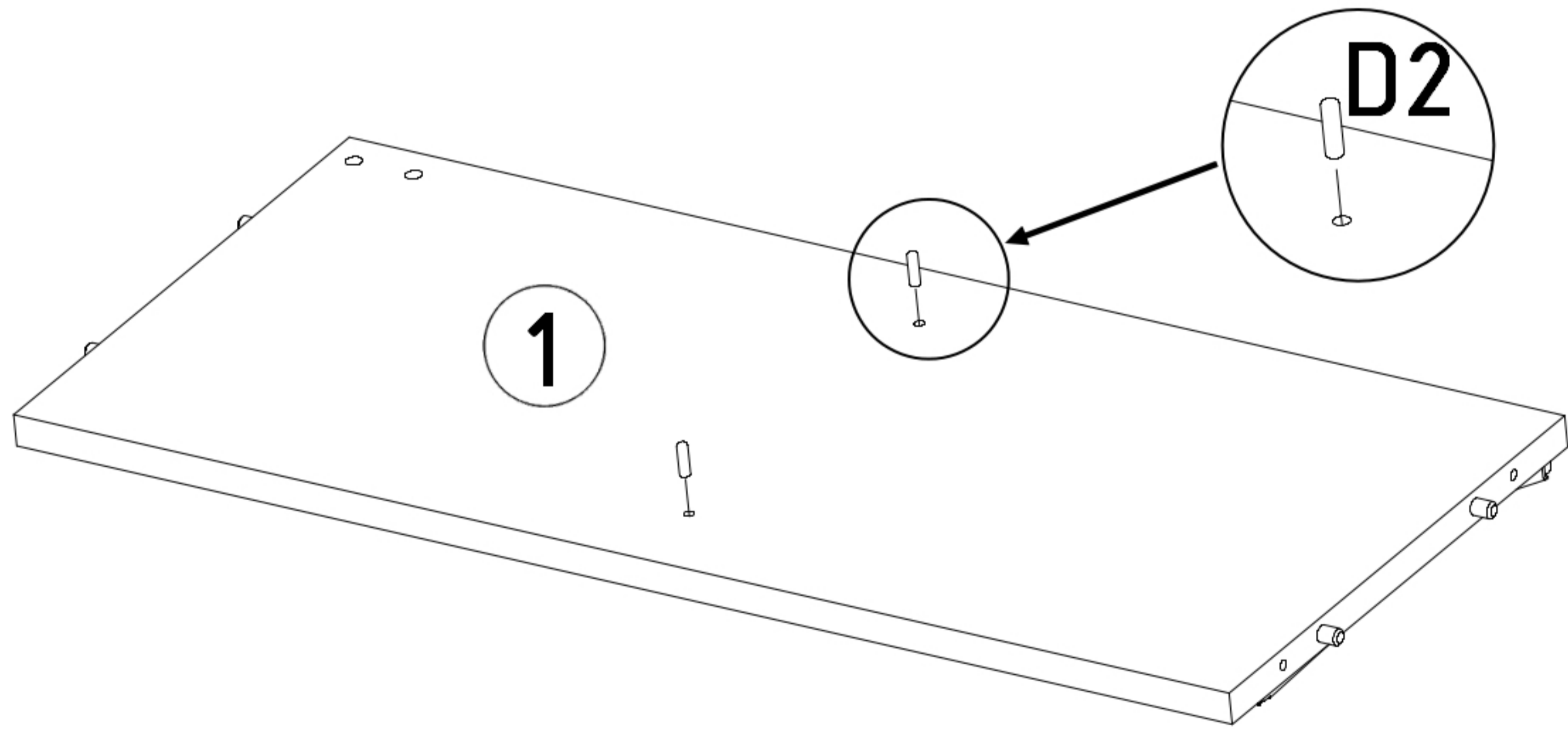
1	x	1
2	x	1
3	x	3
4	x	2
5	x	1
6	x	1
7	x	1
8	x	1

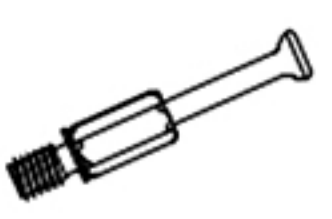

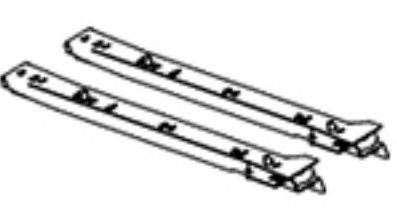


9	x	1
10	x	3
11	x	6
12	x	3
13	x	3
14	x	3
15	x	2
16	x	2

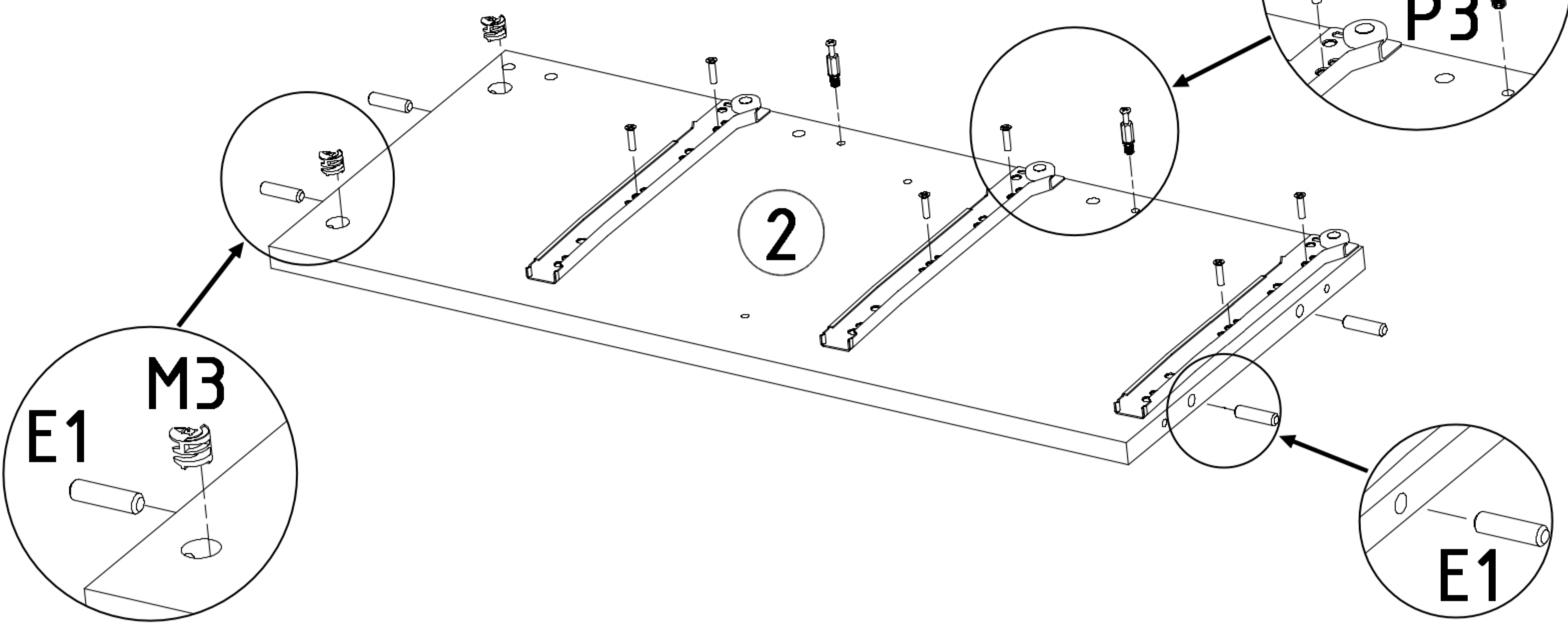
N2  x 2	M3  x 2	P3  x 3	S15  x 6	E1  x 4
------------------------------------------------------------------------------------------------------	-------------------------------------------------------------------------------------------------------	-------------------------------------------------------------------------------------------------------	--------------------------------------------------------------------------------------------------------	-------------------------------------------------------------------------------------------------------




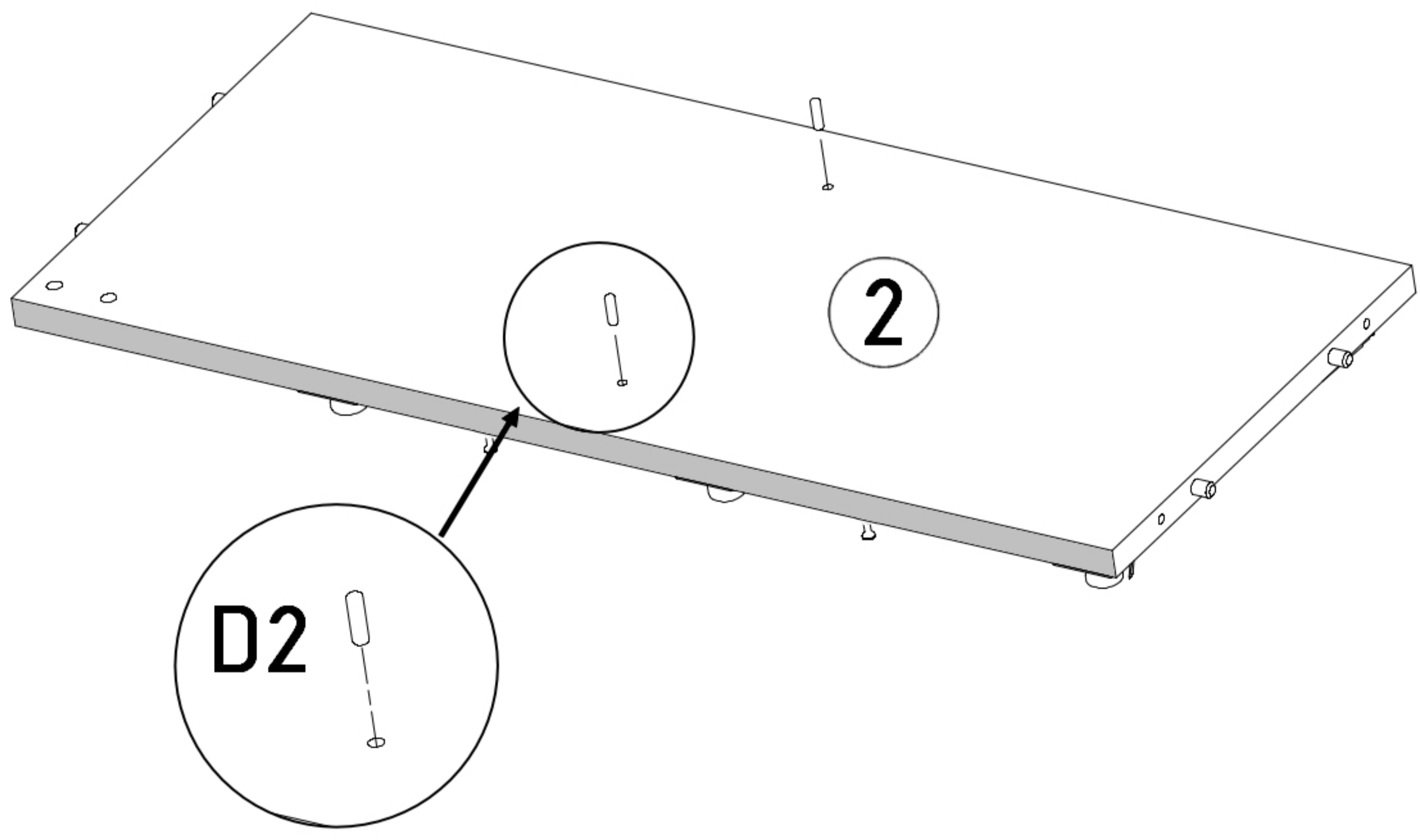
D2  x 2

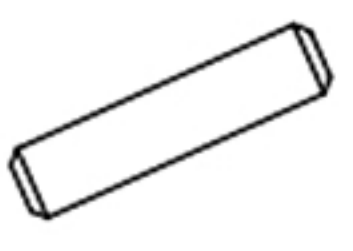



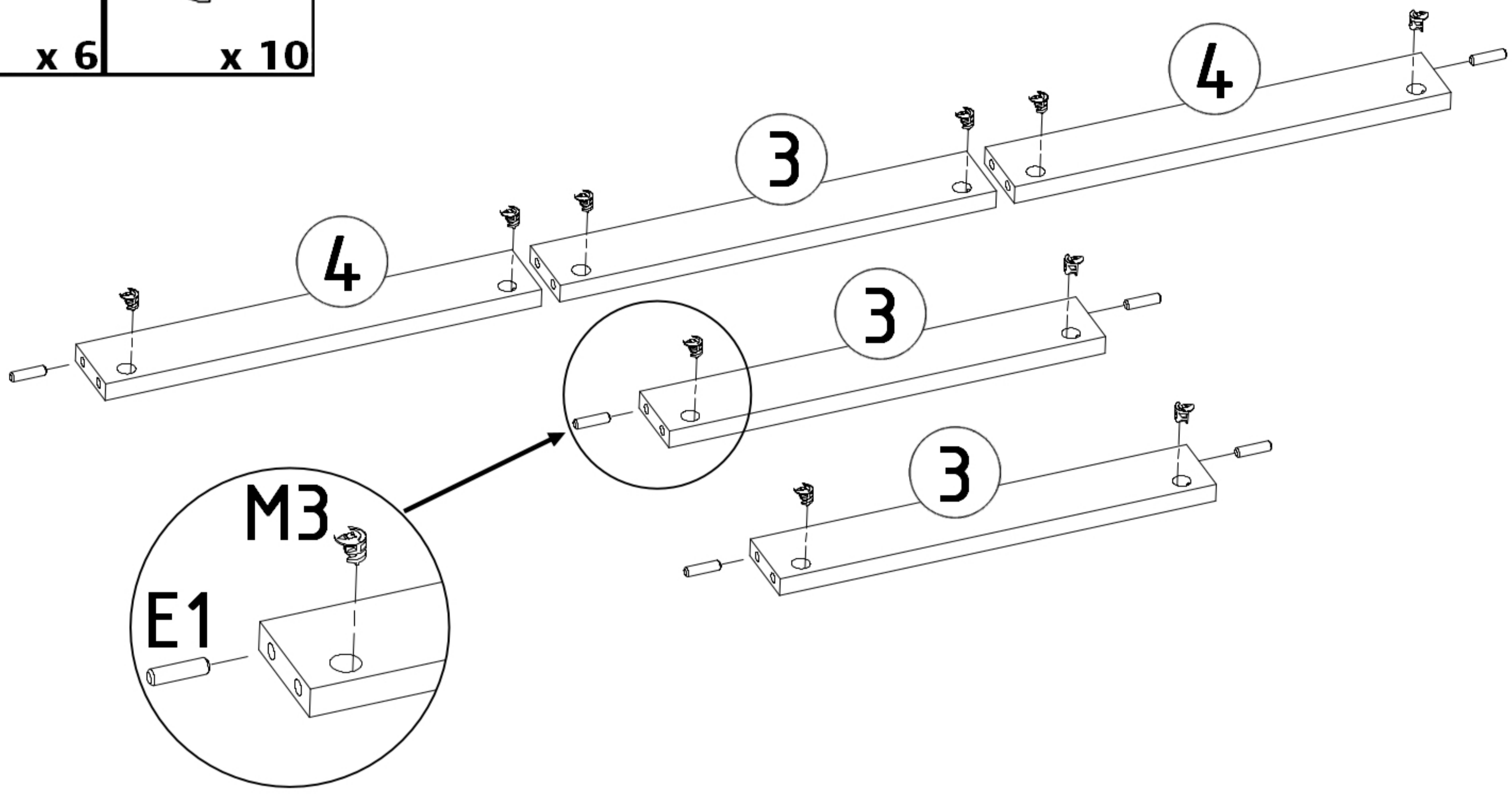
N2  x 2	M3  x 2	P3  x 3	S15  x 6	E1  x 4
------------------------------------------------------------------------------------------------------	-------------------------------------------------------------------------------------------------------	-------------------------------------------------------------------------------------------------------	--------------------------------------------------------------------------------------------------------	--------------------------------------------------------------------------------------------------------





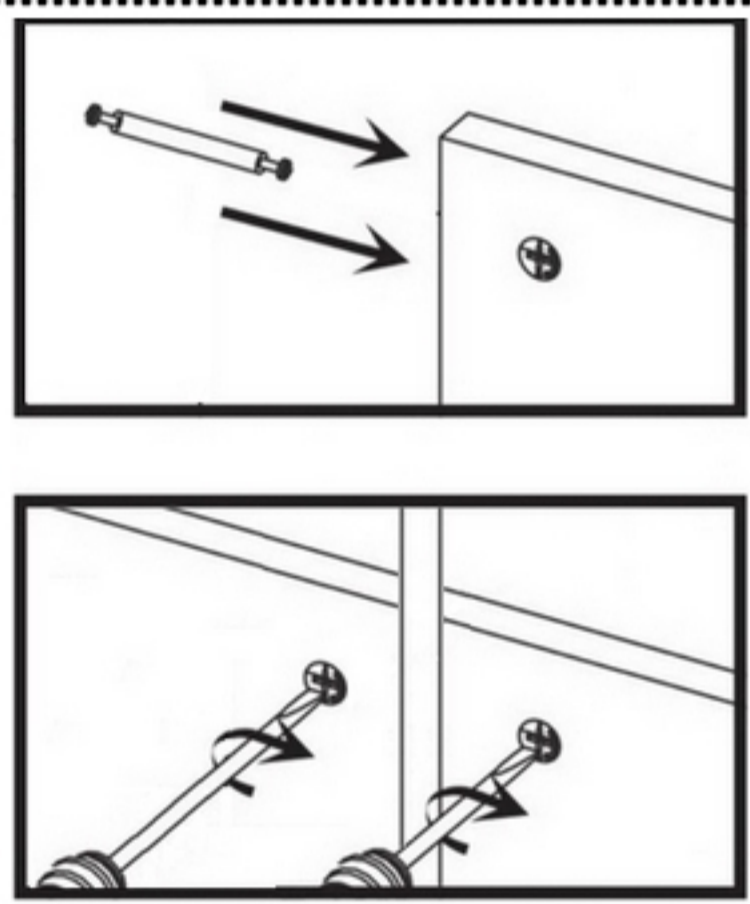
D2  x 2


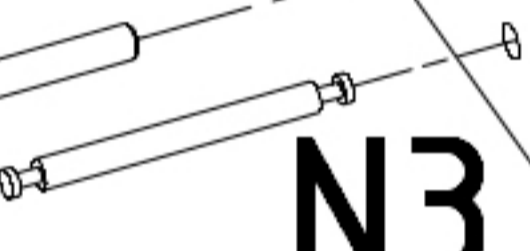


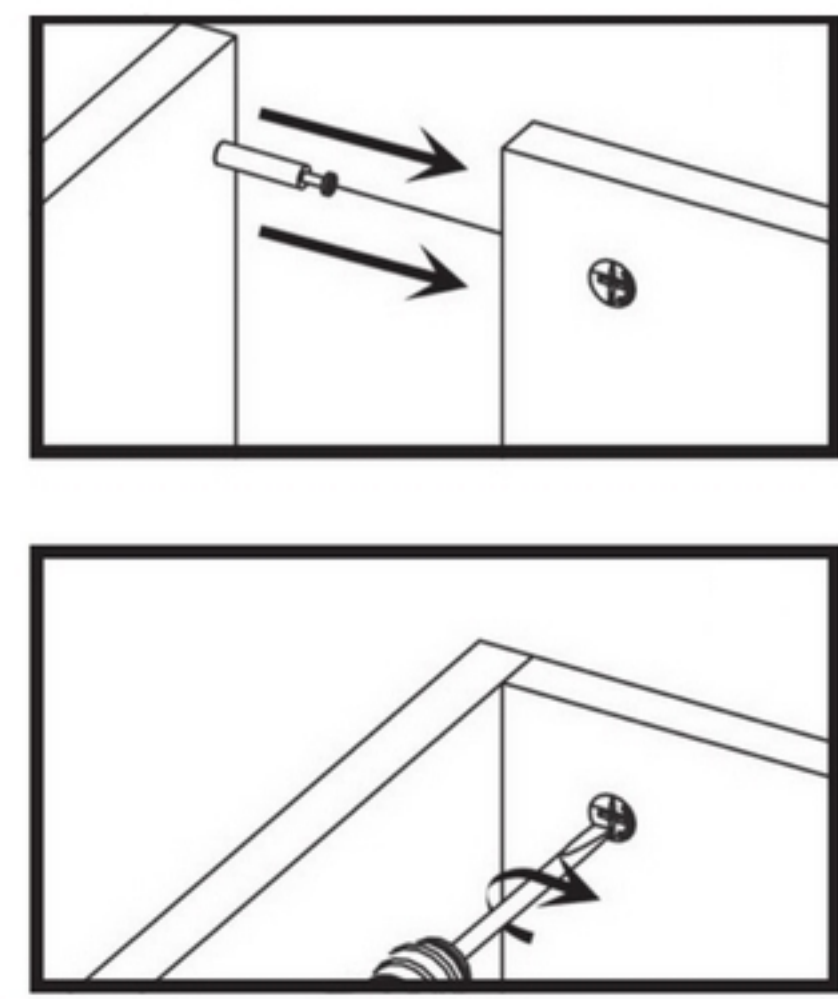
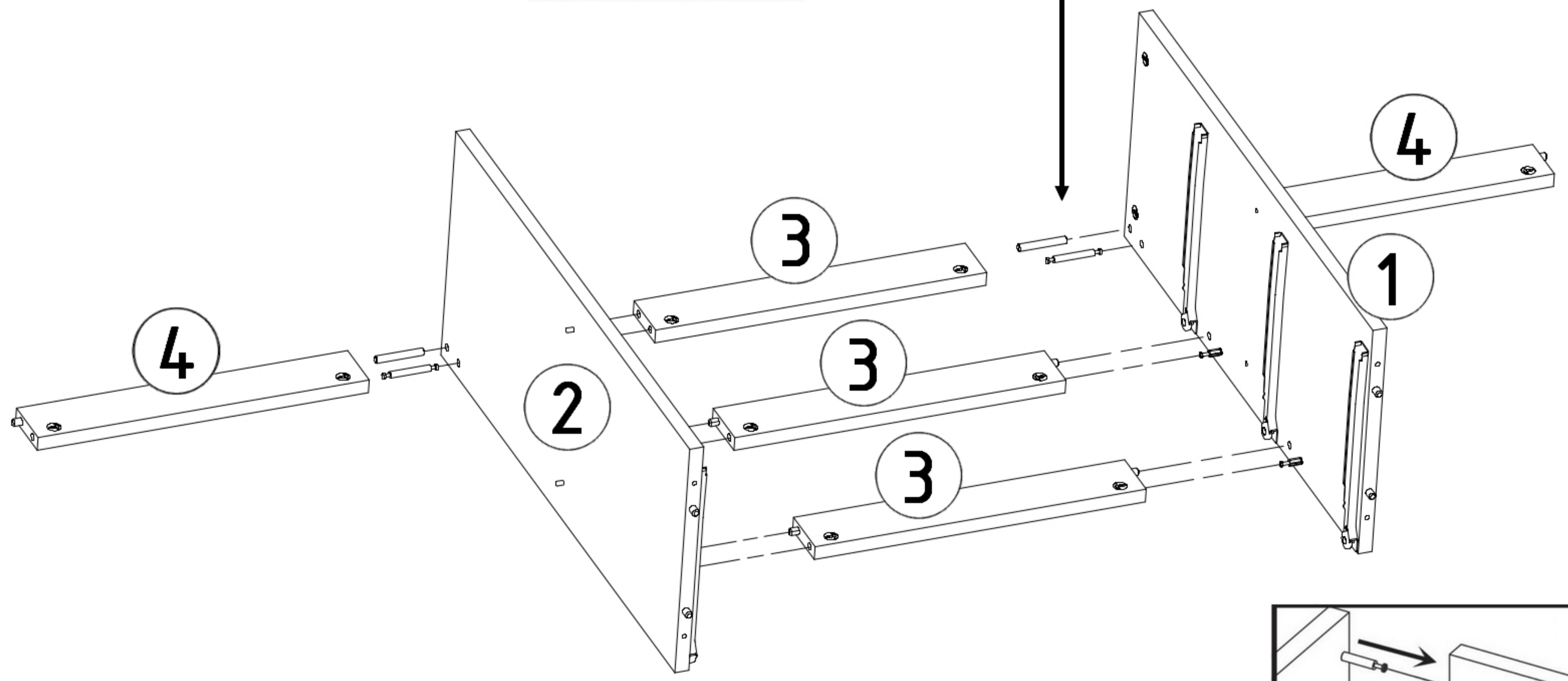
E1  x 6	M3  x 10
------------------------------------------------------------------------------------------------------	--------------------------------------------------------------------------------------------------------

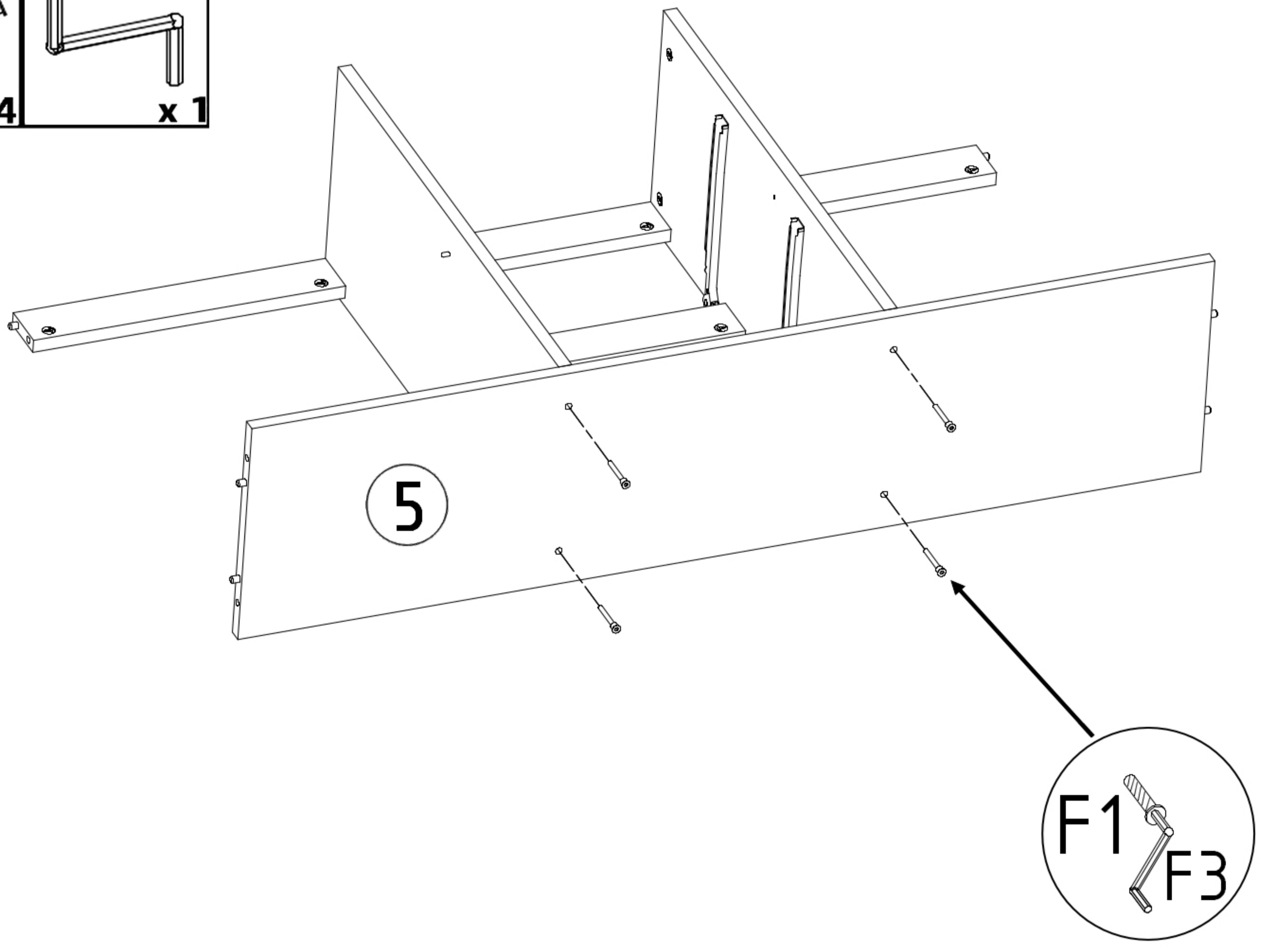
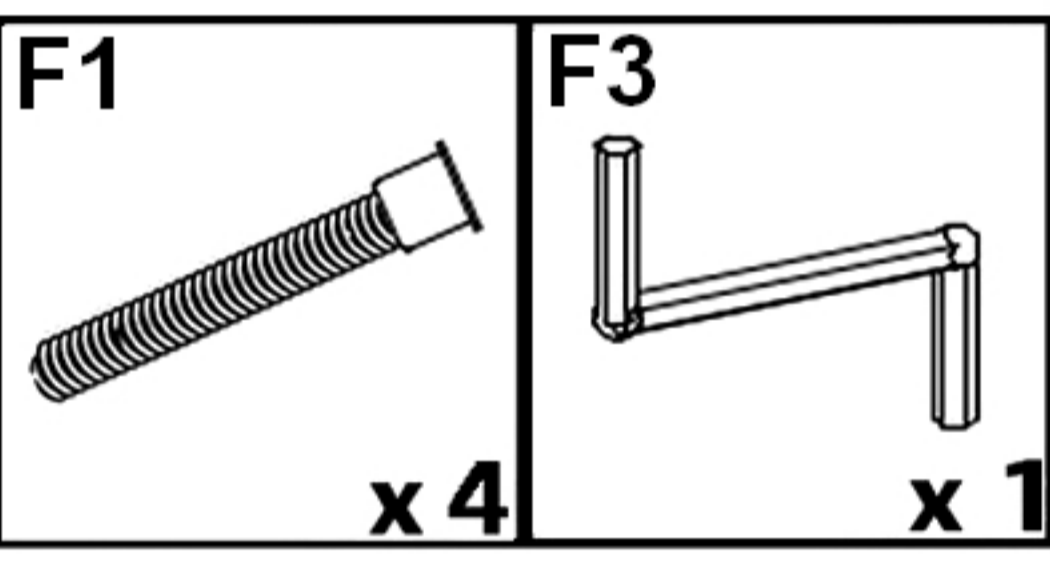
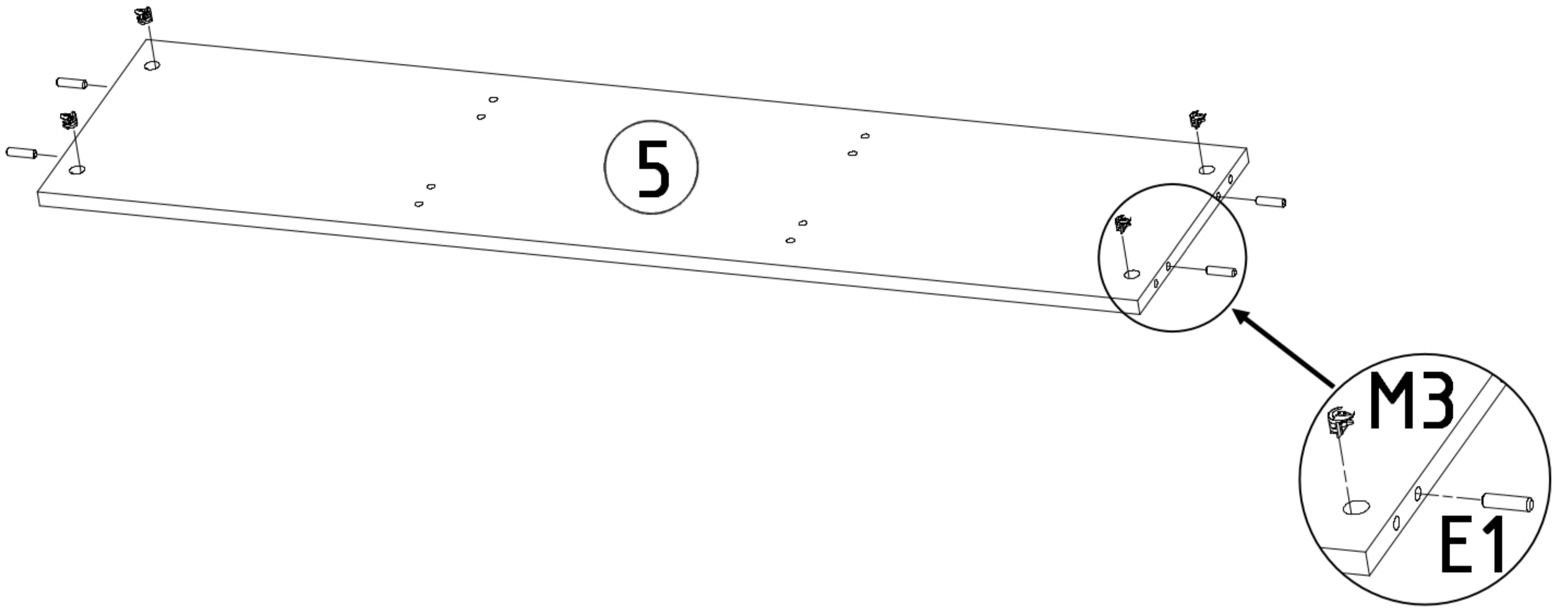
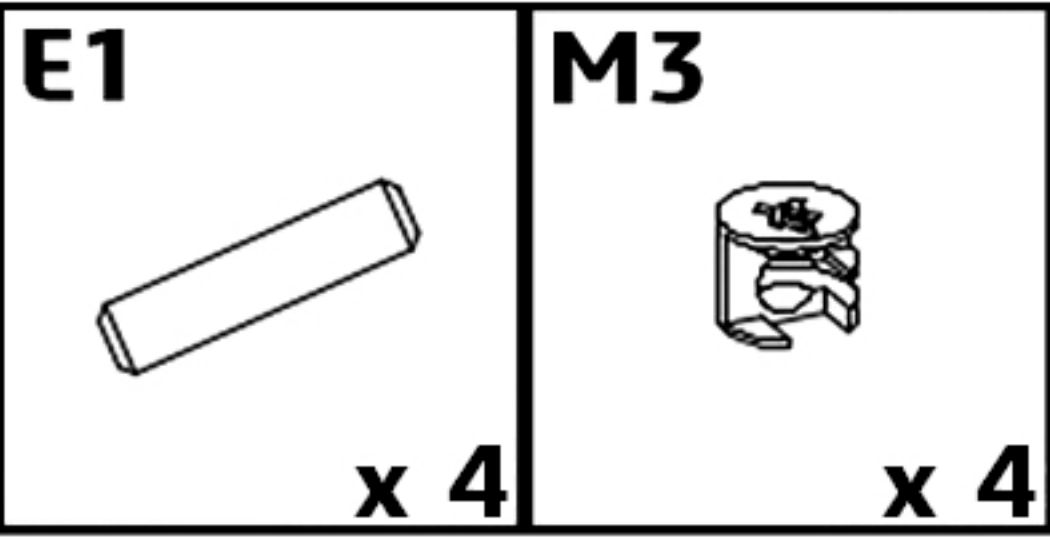


N3  x 2	E3  x 2
--------------------------------------------------------------------------------------------------------	---------------------------------------------------------------------------------------------------------








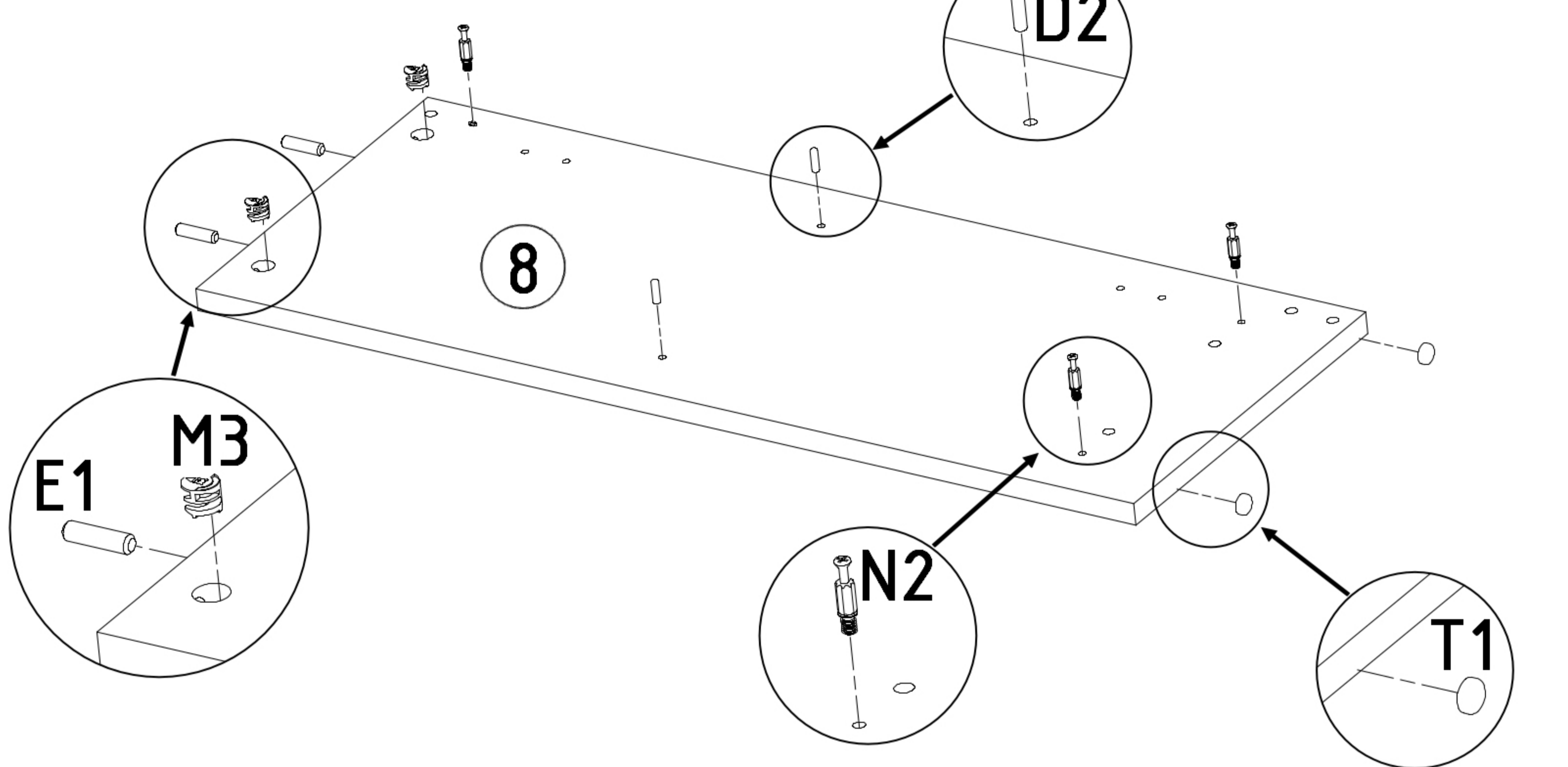
E3 	N3 
----------------------------------------------------------------------------------------------------	----------------------------------------------------------------------------------------------------





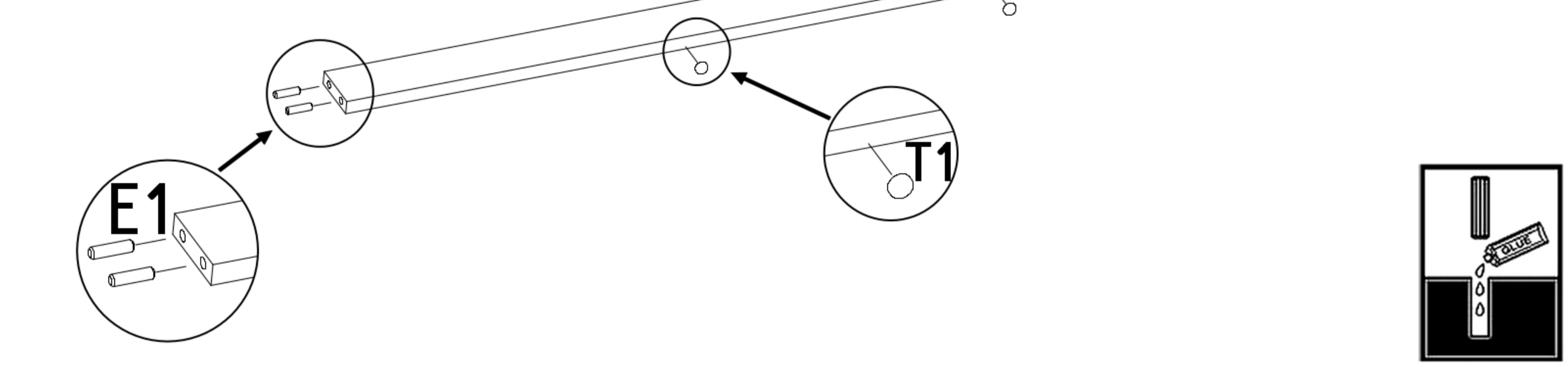







6

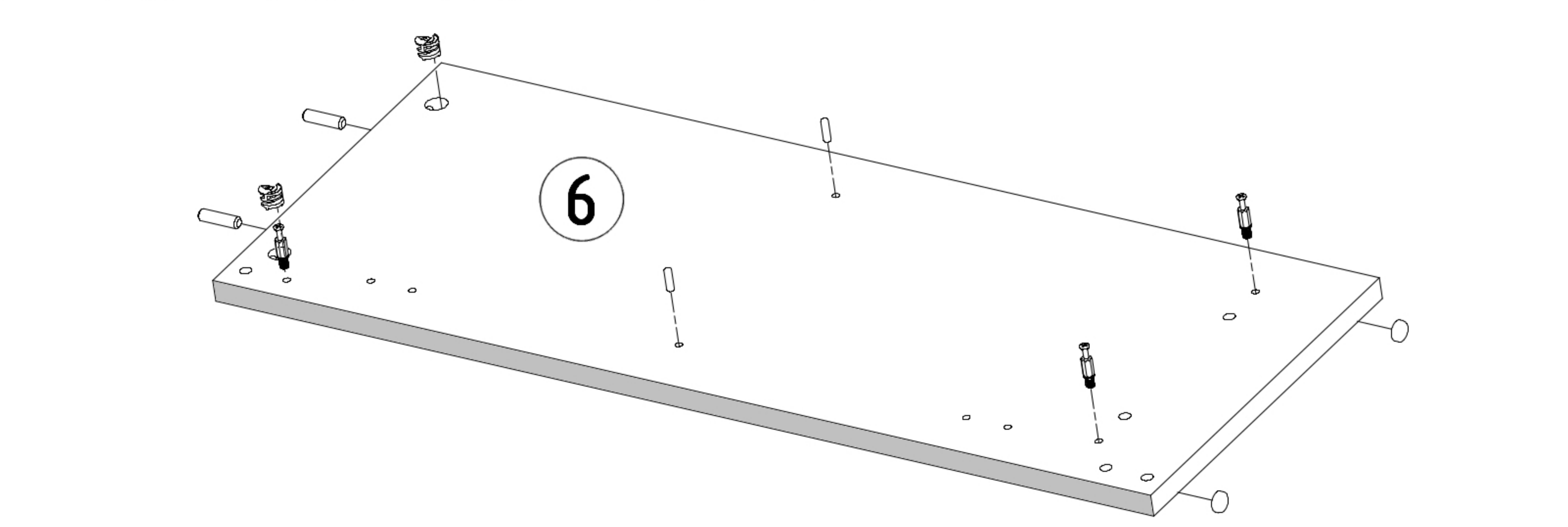
N2  x 3	M3  x 2	E1  x 2	D2  x 2	T1  x 2
------------------------------------------------------------------------------------------------------	-------------------------------------------------------------------------------------------------------	-------------------------------------------------------------------------------------------------------	-------------------------------------------------------------------------------------------------------	--------------------------------------------------------------------------------------------------------

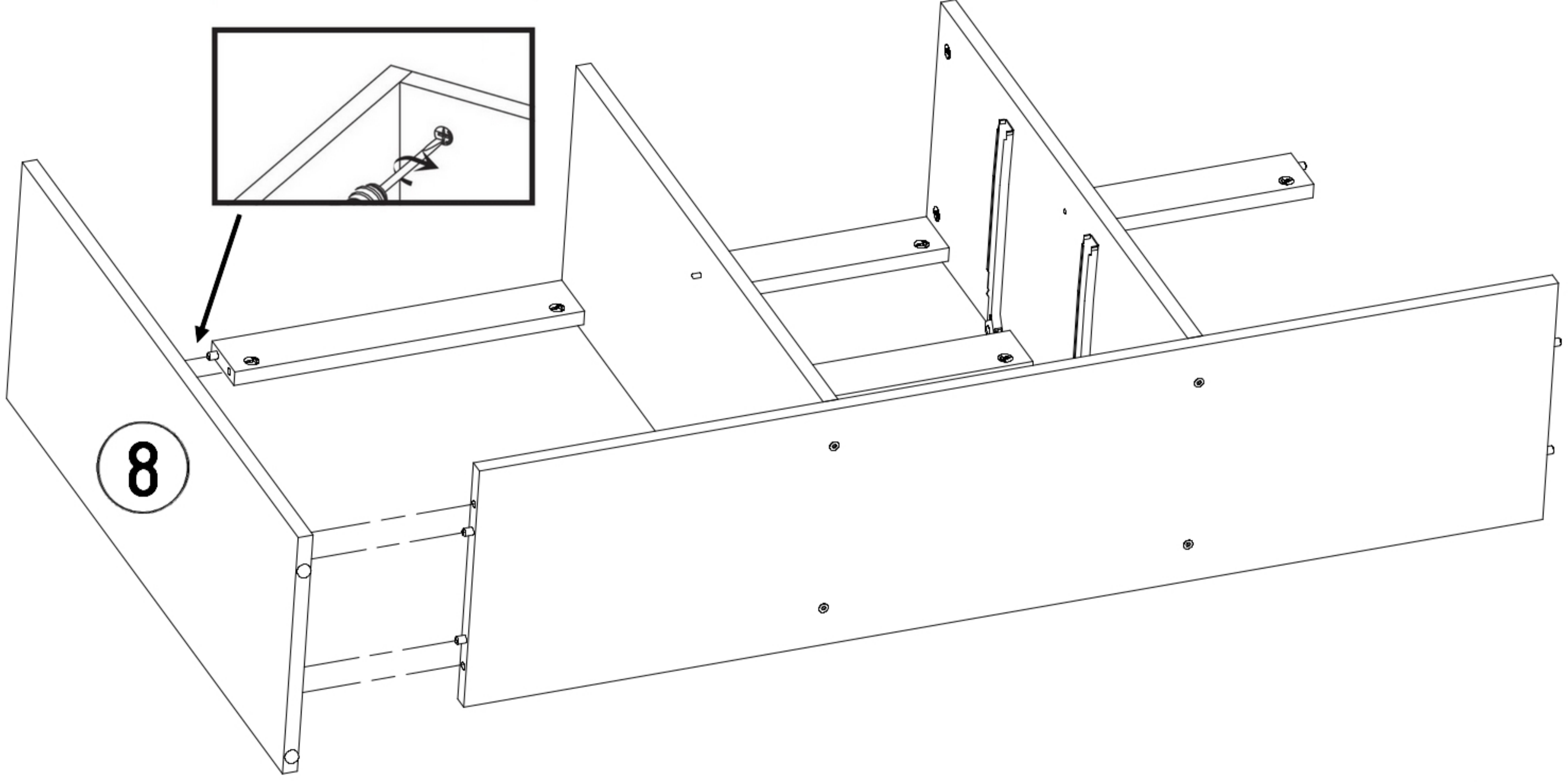
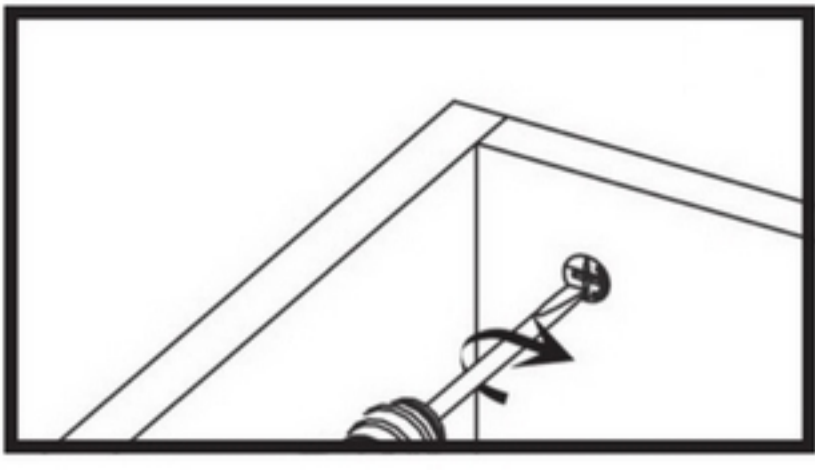
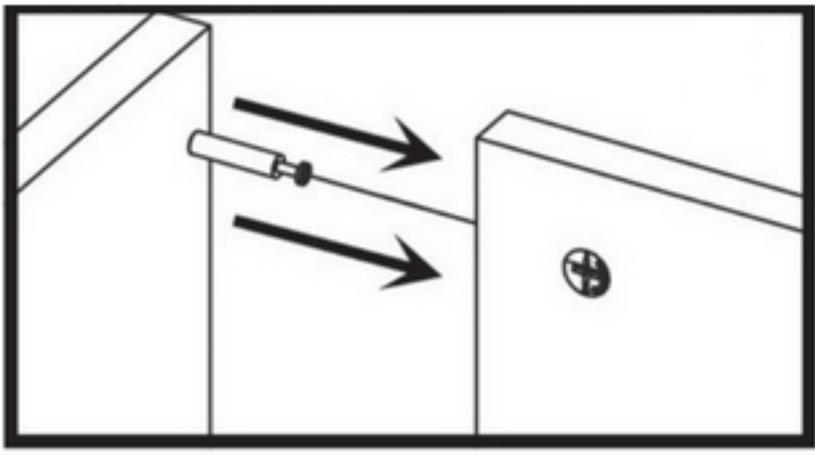


T1  x 2	E1  x 4
--------------------------------------------------------------------------------------------------------	---------------------------------------------------------------------------------------------------------

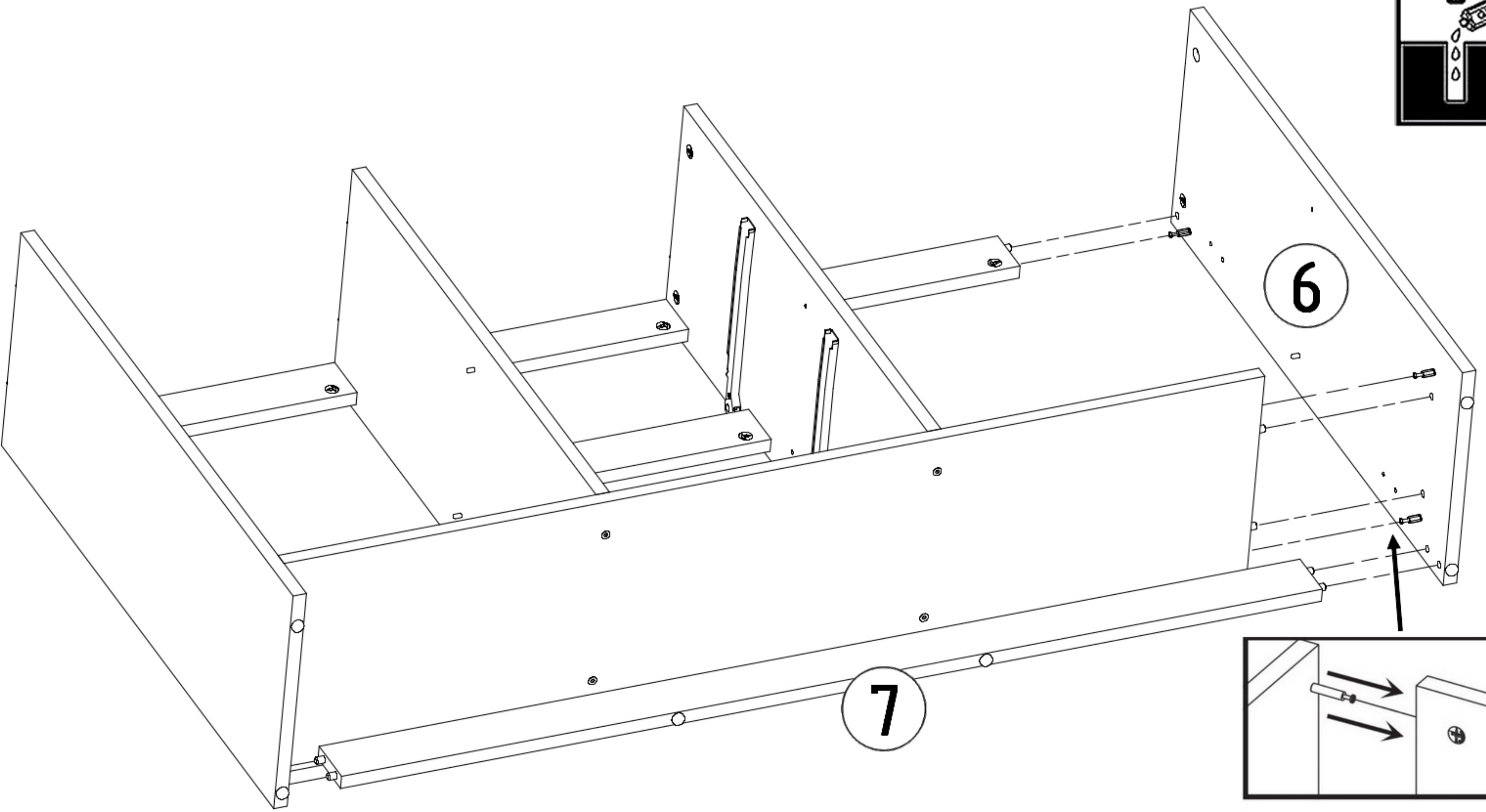


N2  x 3	M3  x 2	E1  x 2	D2  x 2	T1  x 2
--------------------------------------------------------------------------------------------------------	---------------------------------------------------------------------------------------------------------	---------------------------------------------------------------------------------------------------------	---------------------------------------------------------------------------------------------------------	----------------------------------------------------------------------------------------------------------



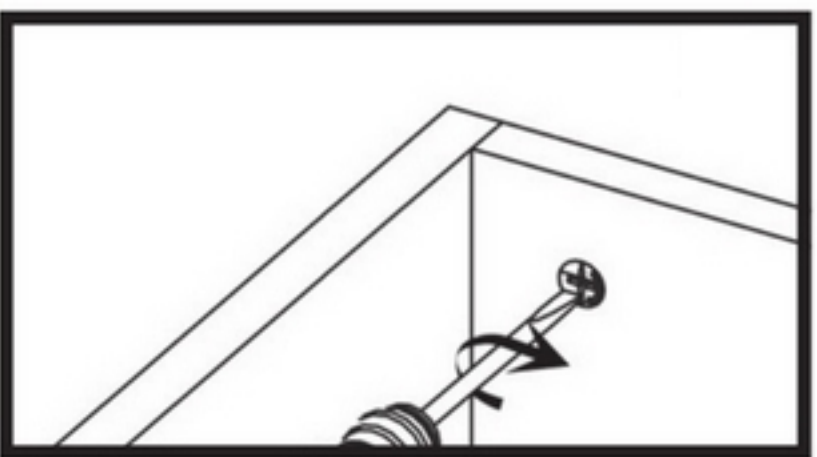
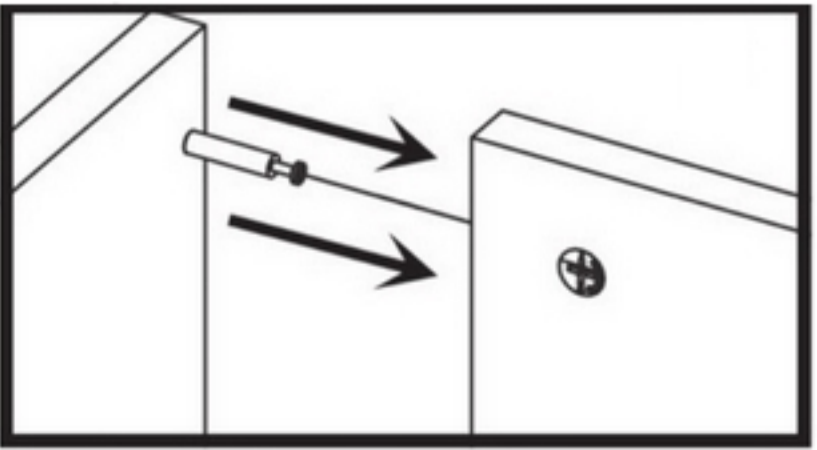


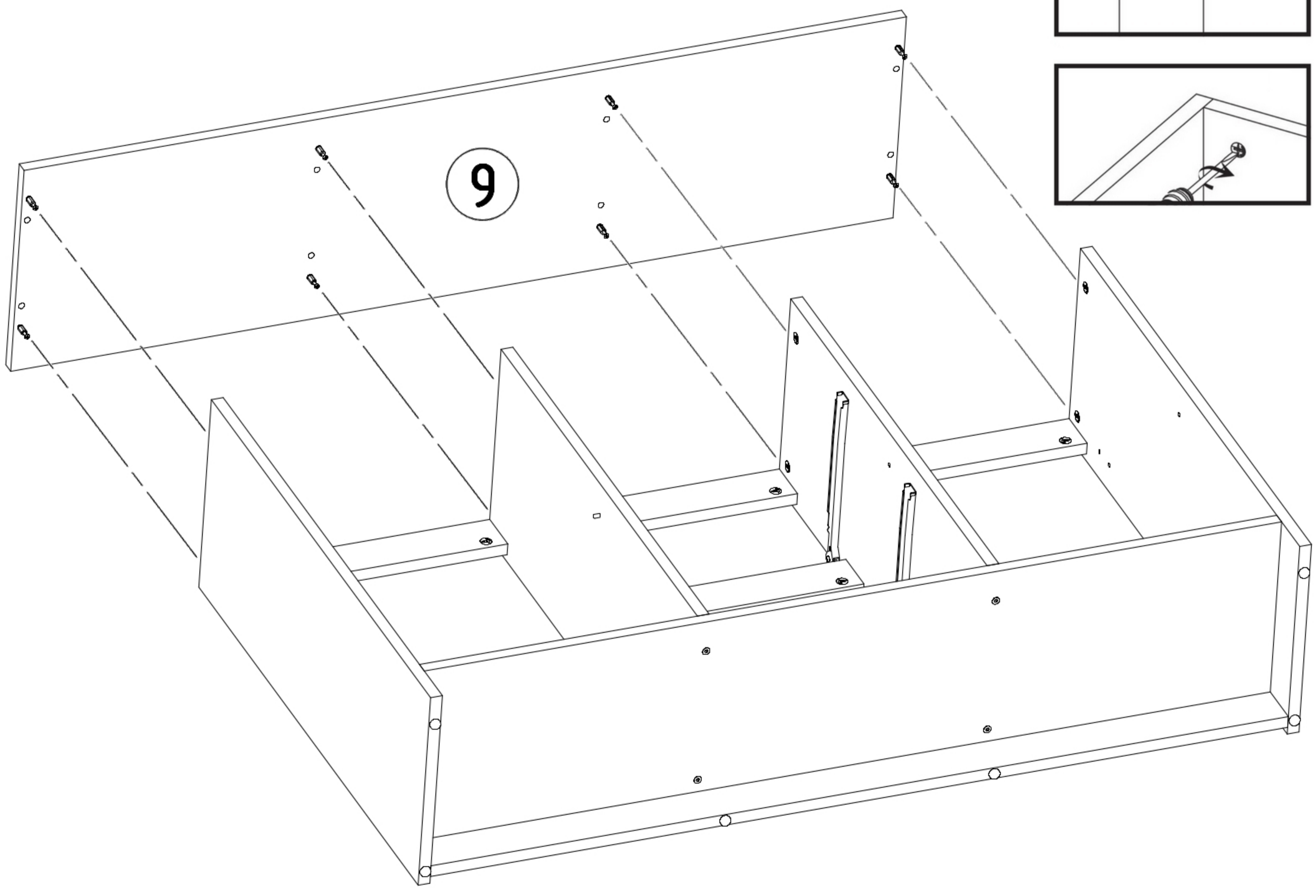
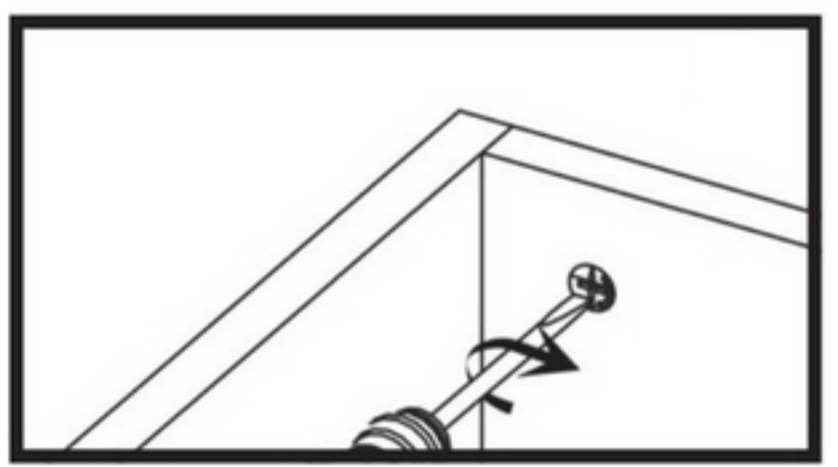
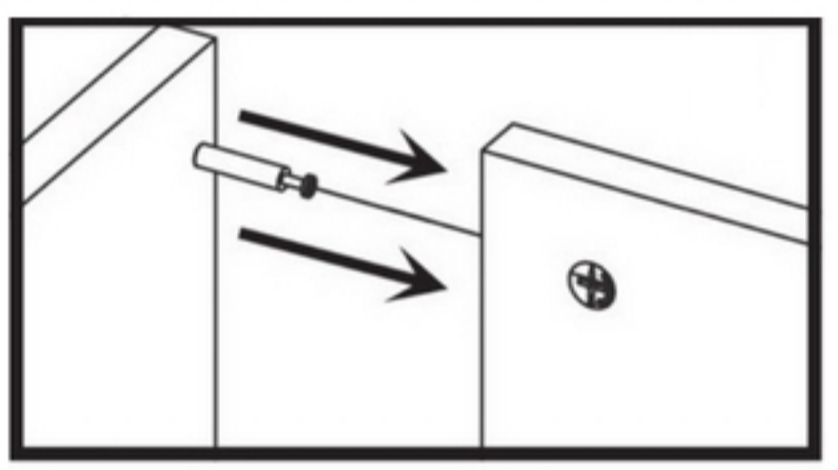
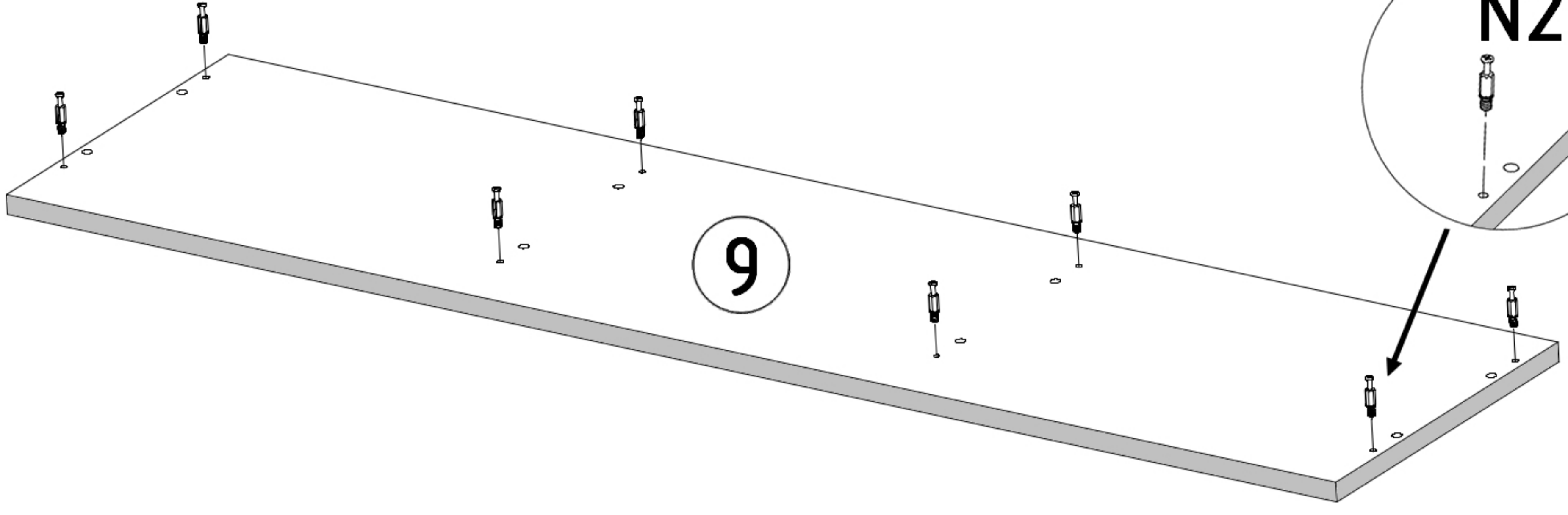
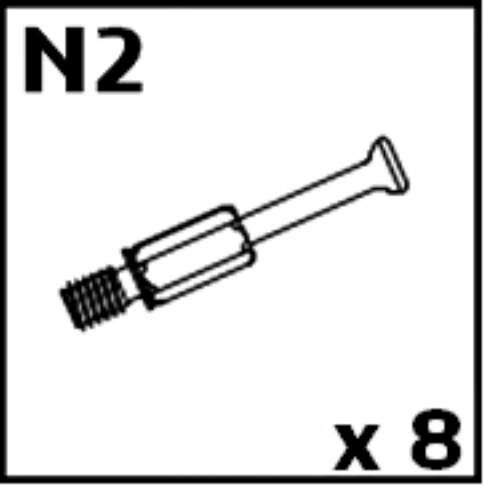
8








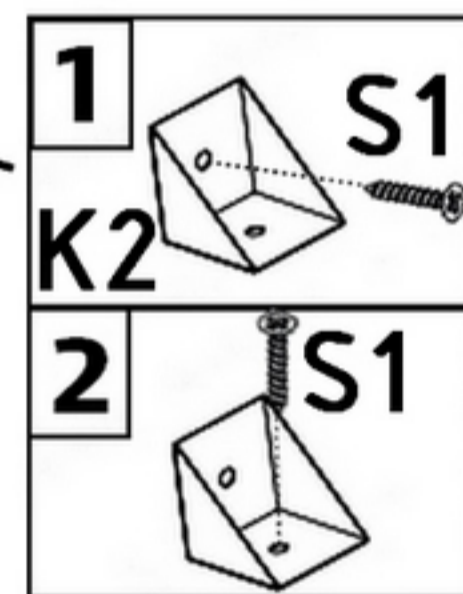
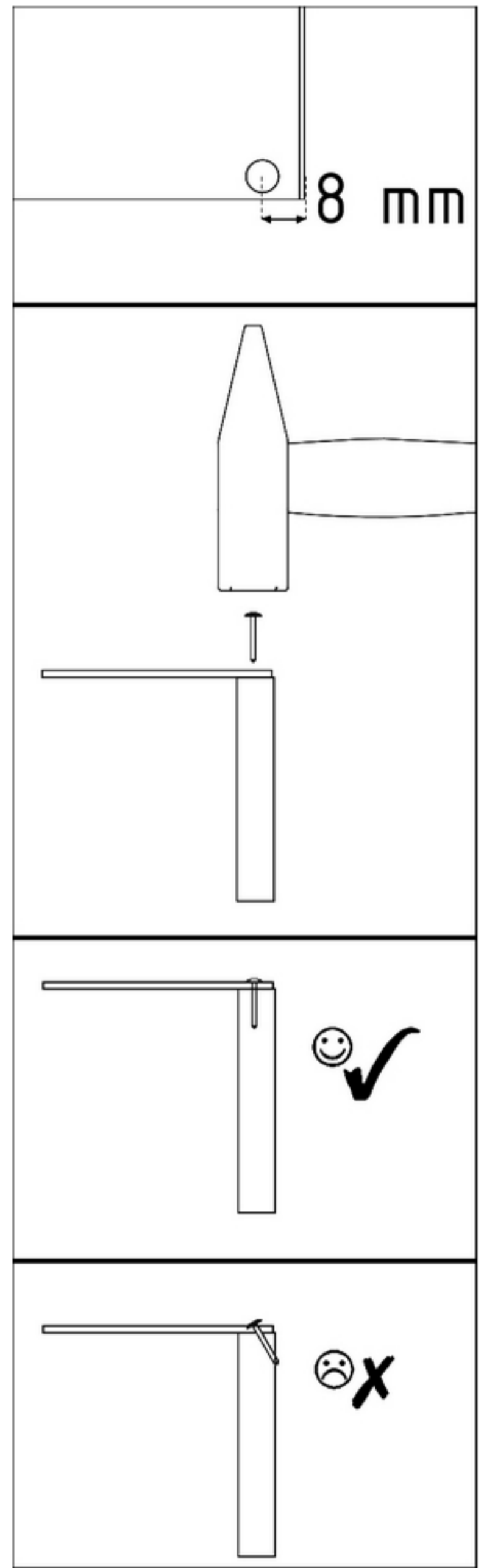
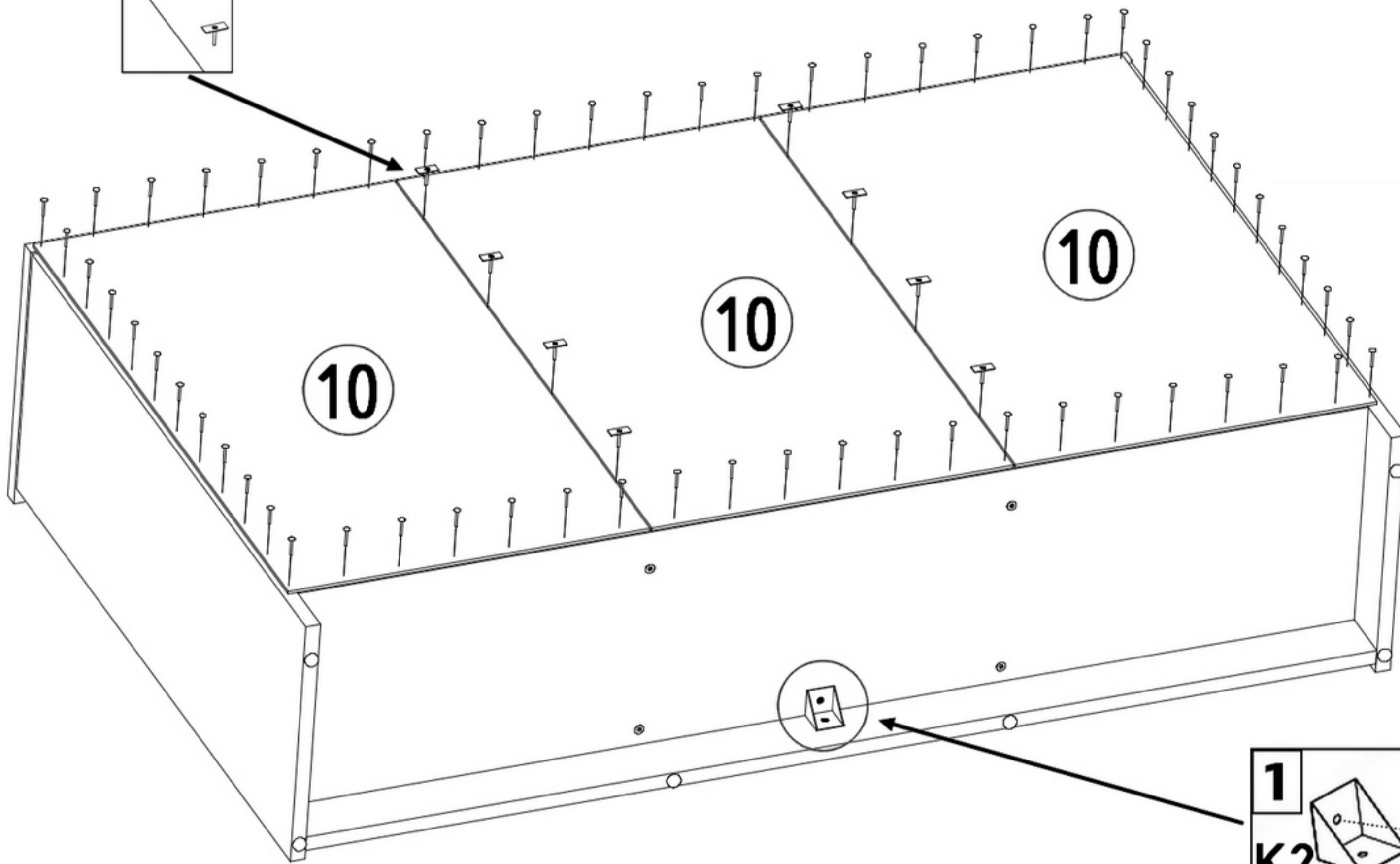
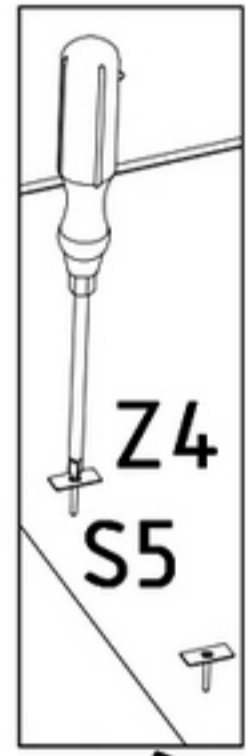
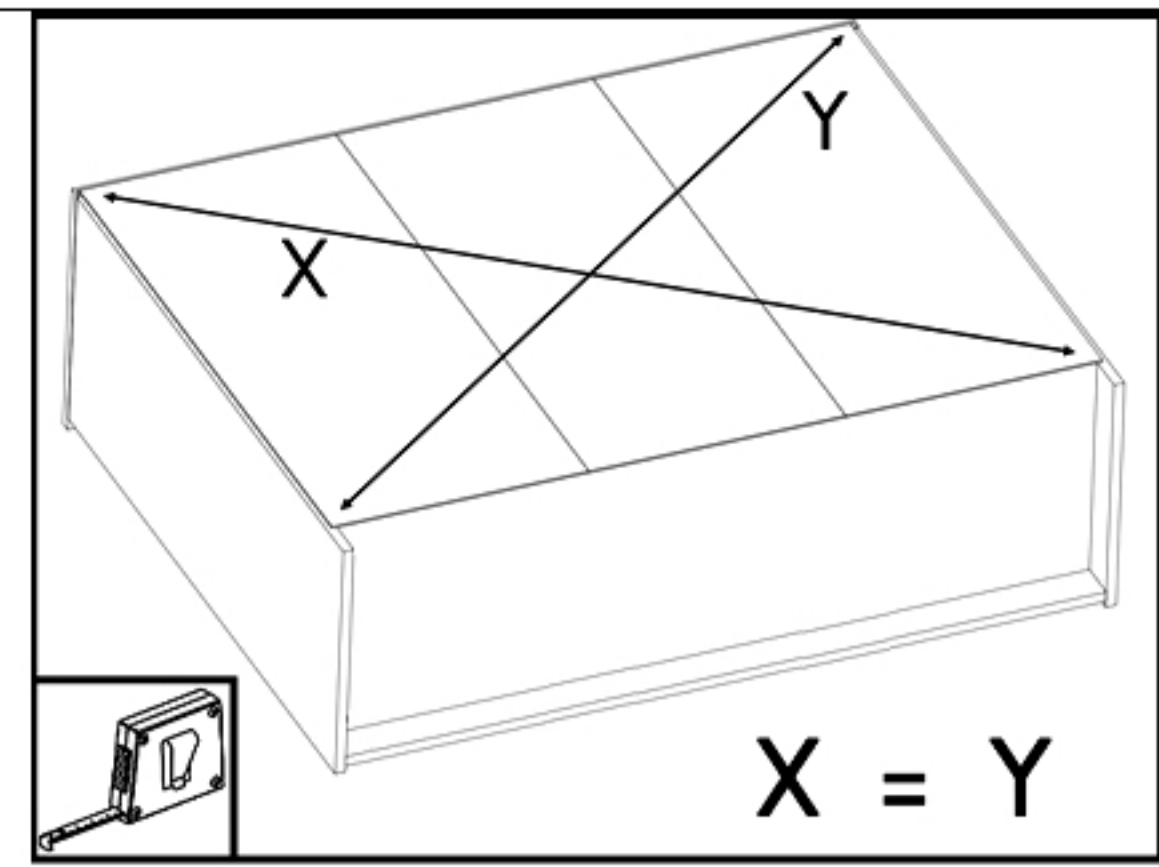
7

6

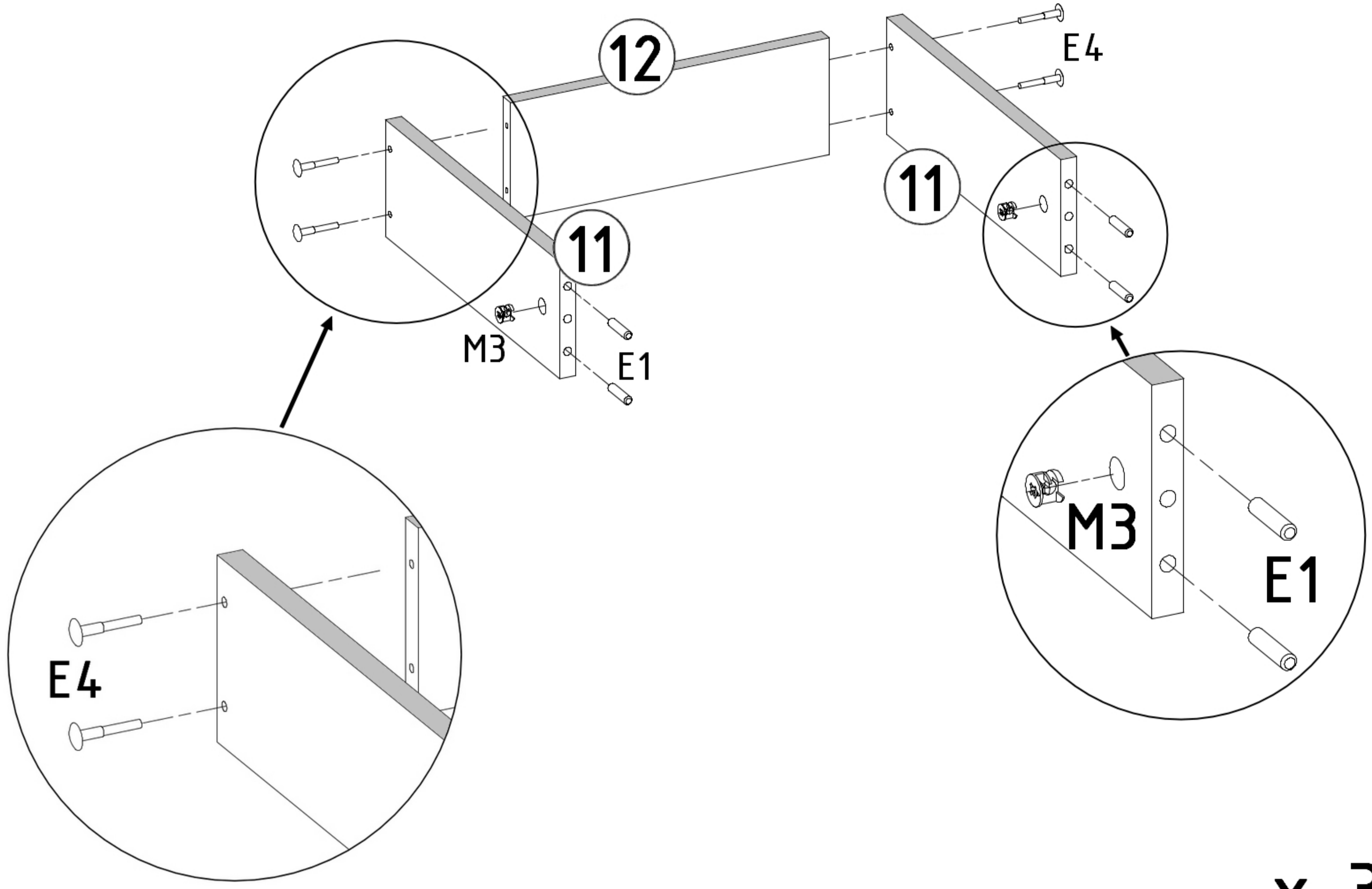




S5  x 8	Z4  x 8	Z2  x 55	S1  x 2	K2  x 1
-------------------------------------------------------------------------------------------------------	-------------------------------------------------------------------------------------------------------	--------------------------------------------------------------------------------------------------------	-------------------------------------------------------------------------------------------------------	--------------------------------------------------------------------------------------------------------

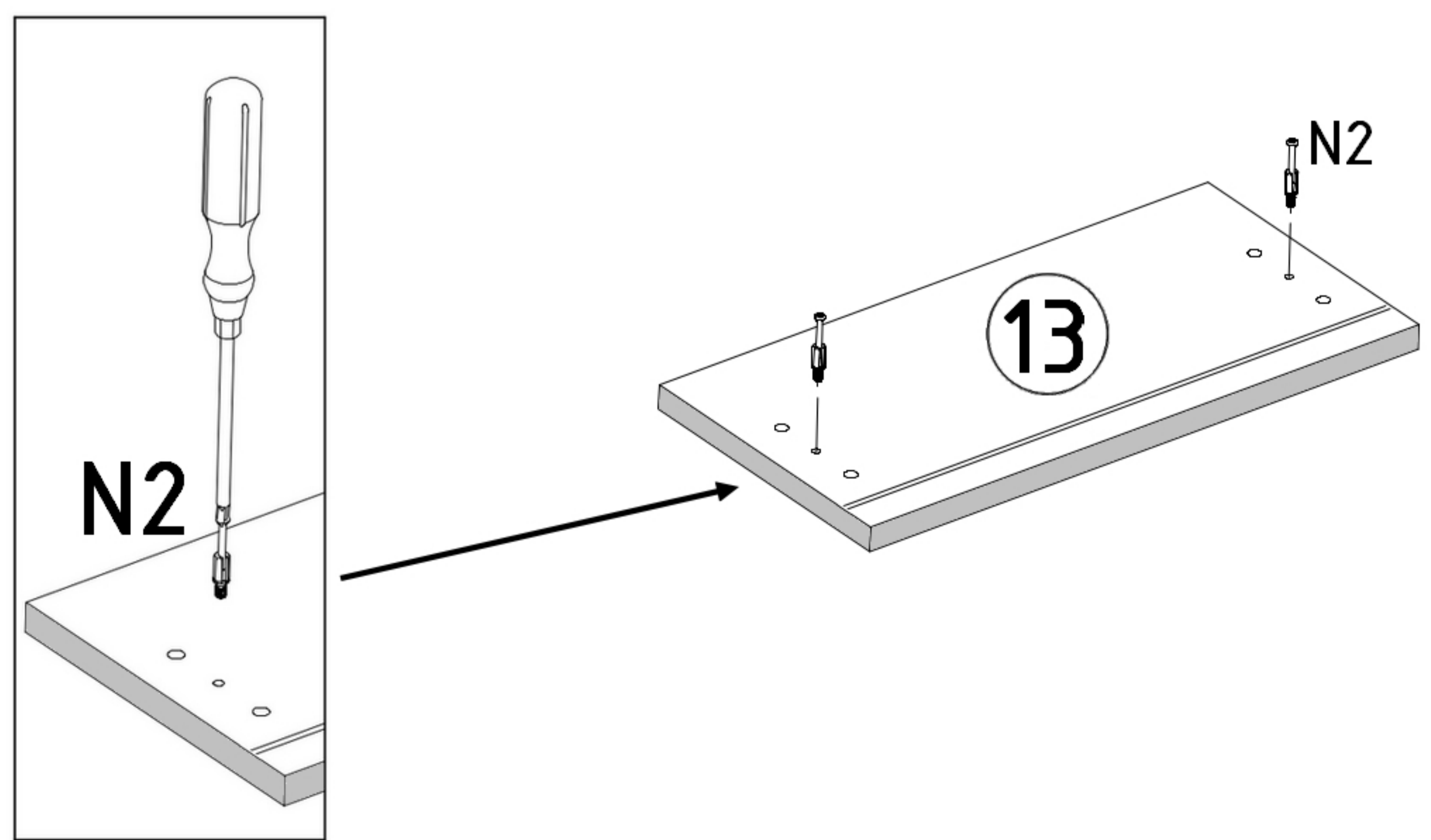


E1  x 12	M3  x 6	E4  x 12
-------------------------------------------------------------------------------------------------------	-------------------------------------------------------------------------------------------------------	--------------------------------------------------------------------------------------------------------

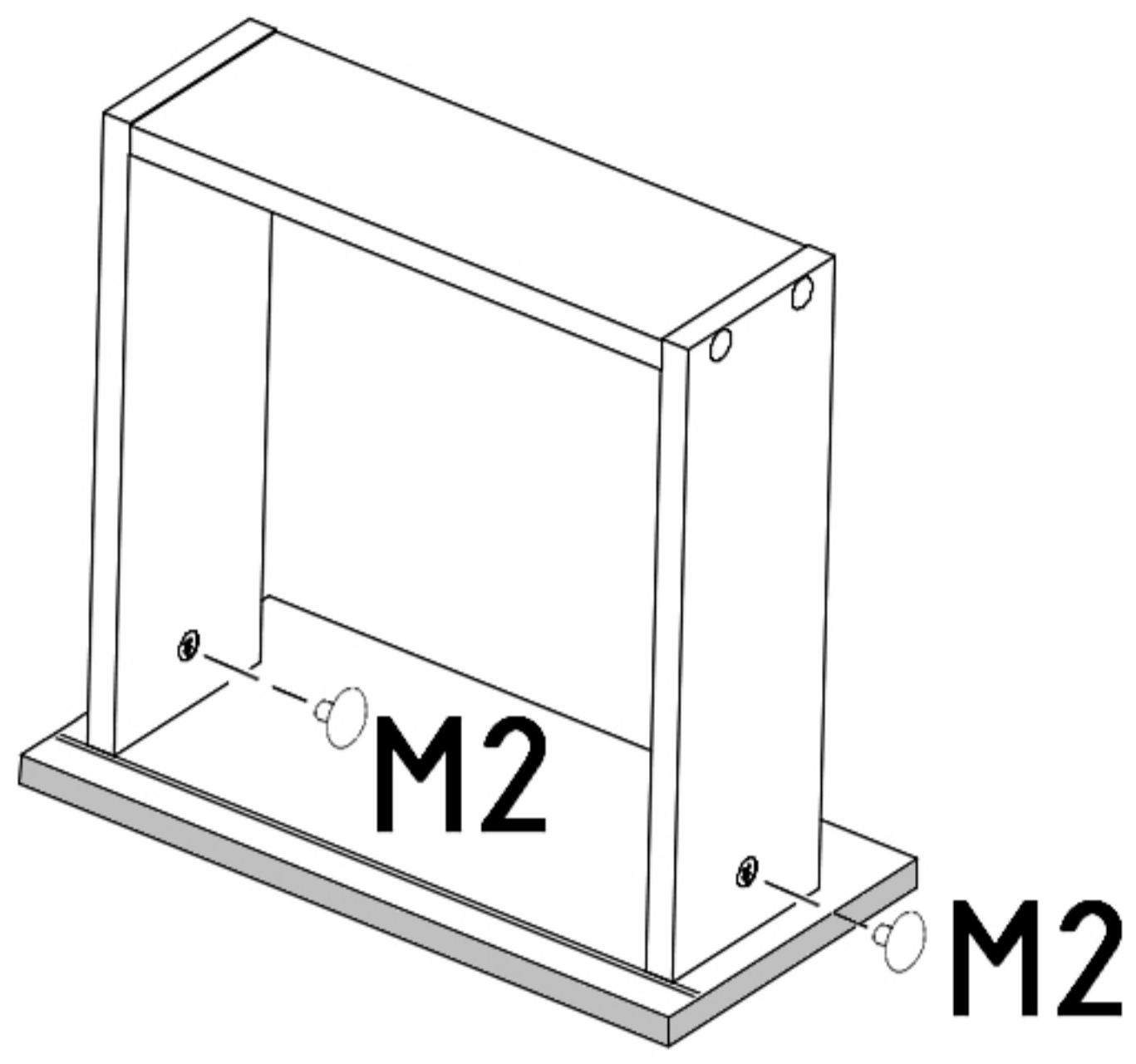
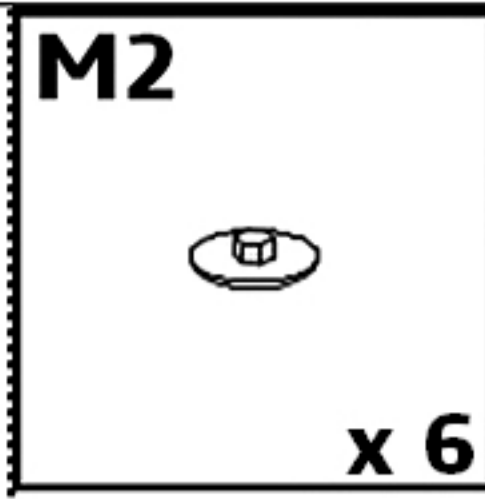
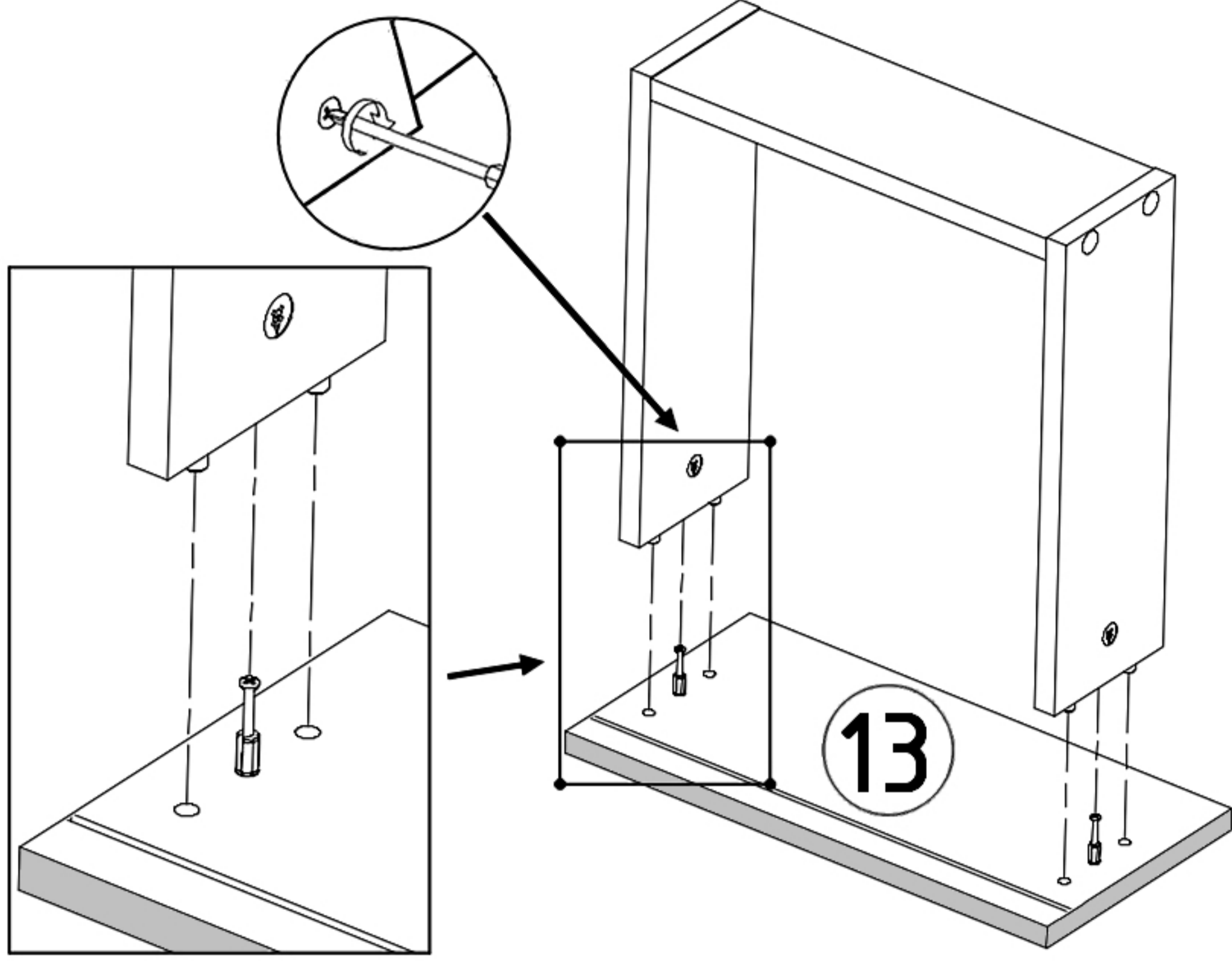


x 3

N2  x 6

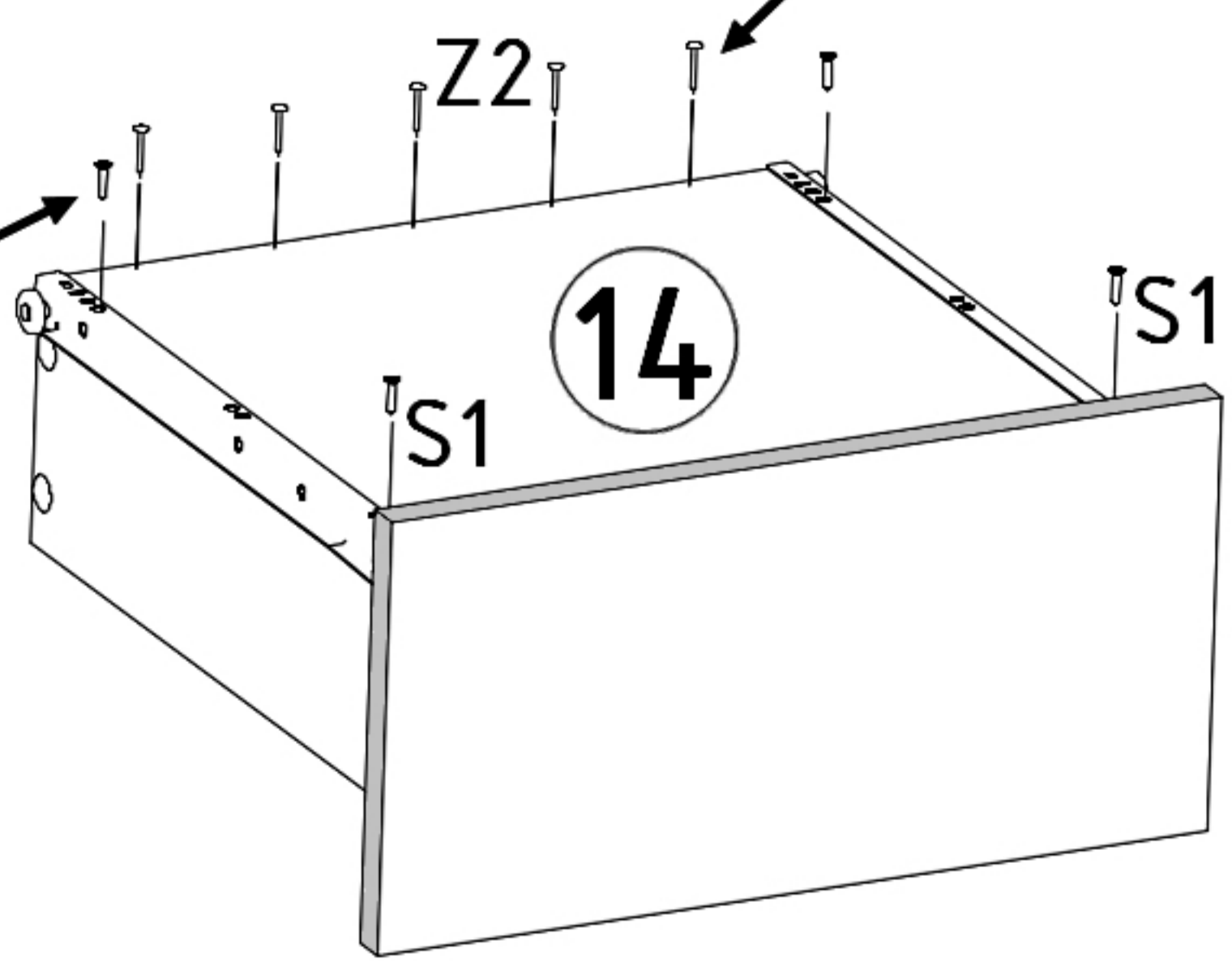
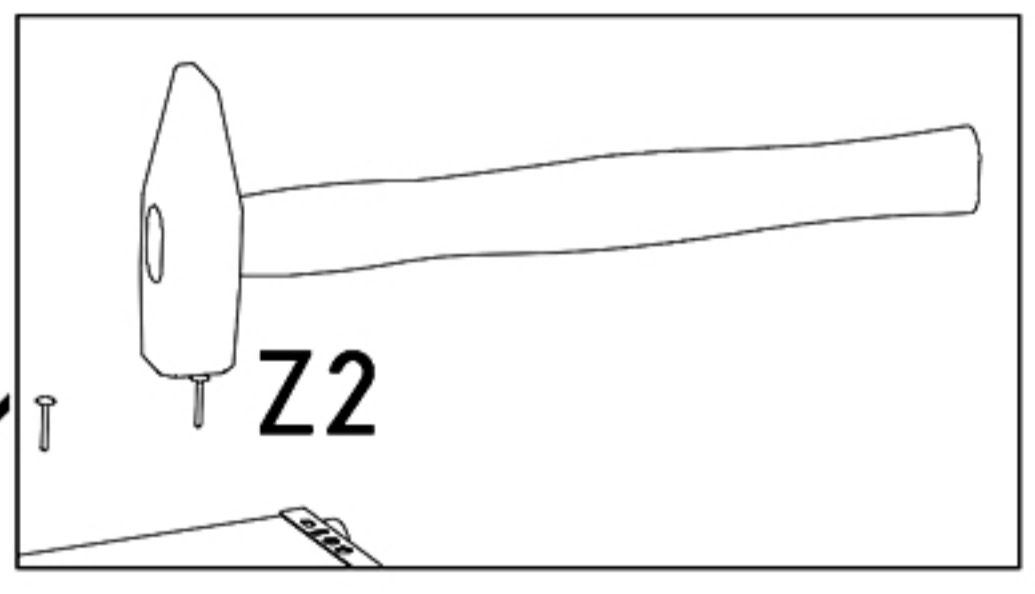
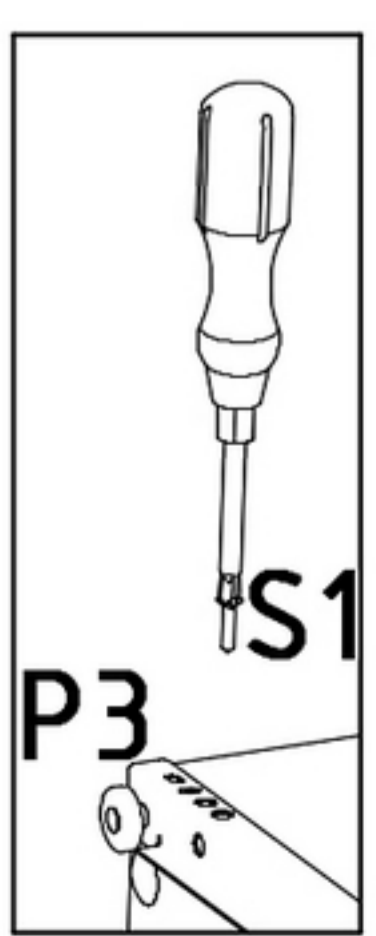
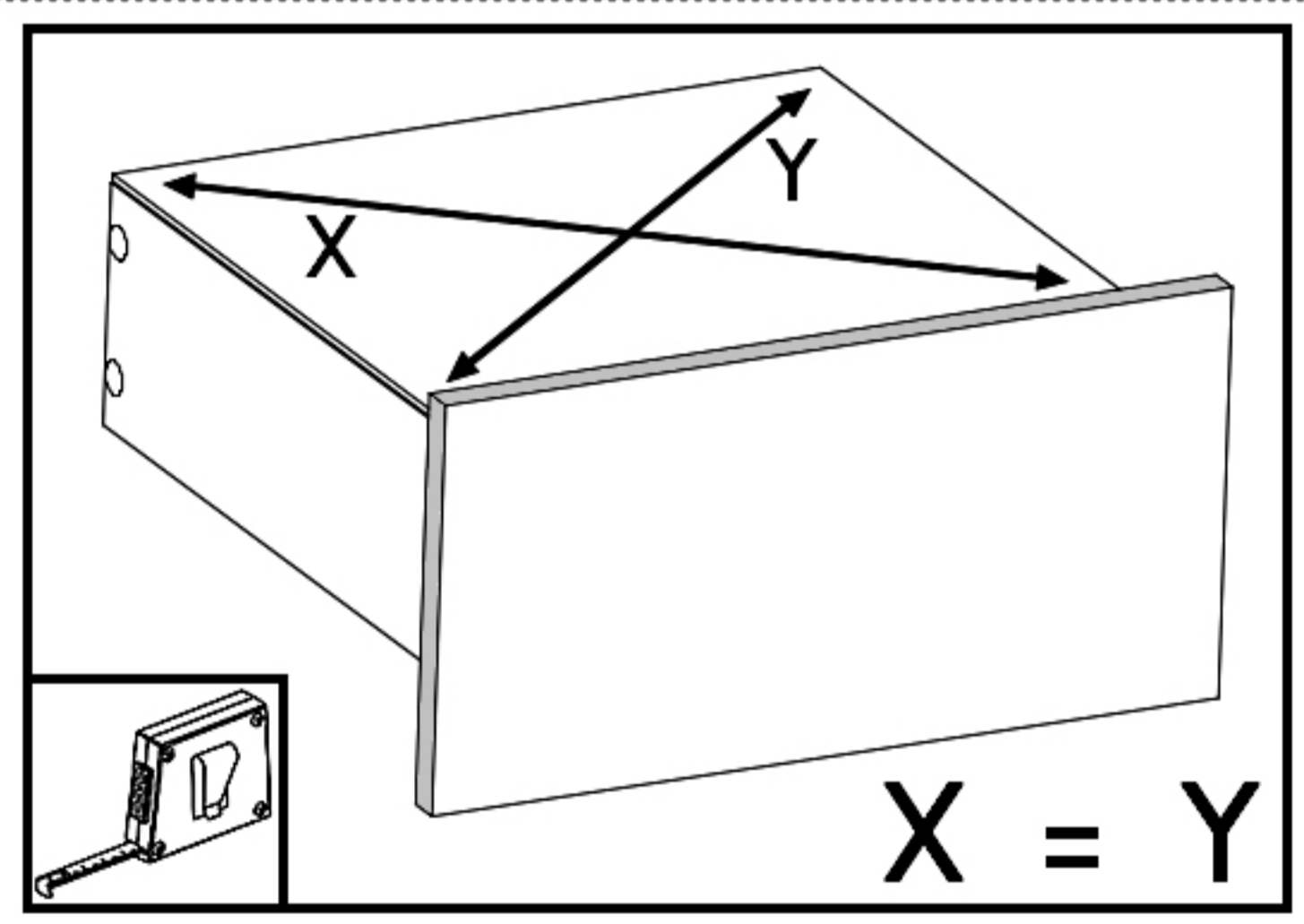
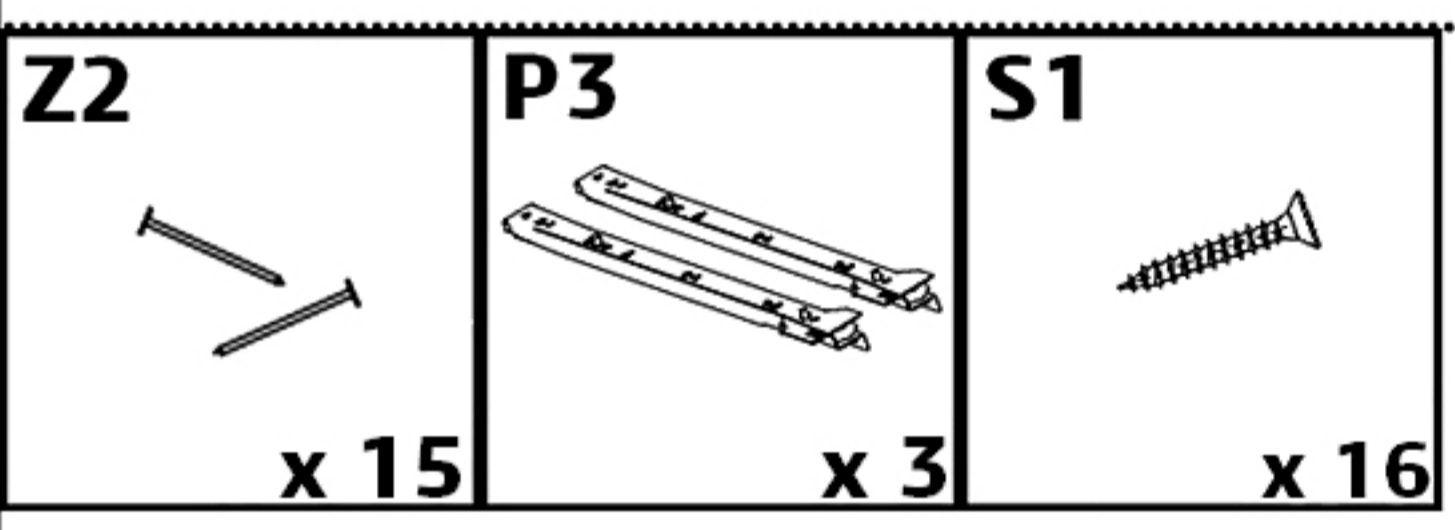


x 3


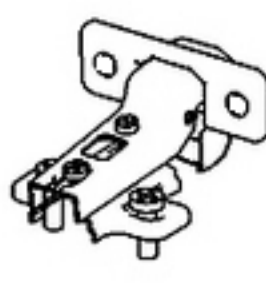


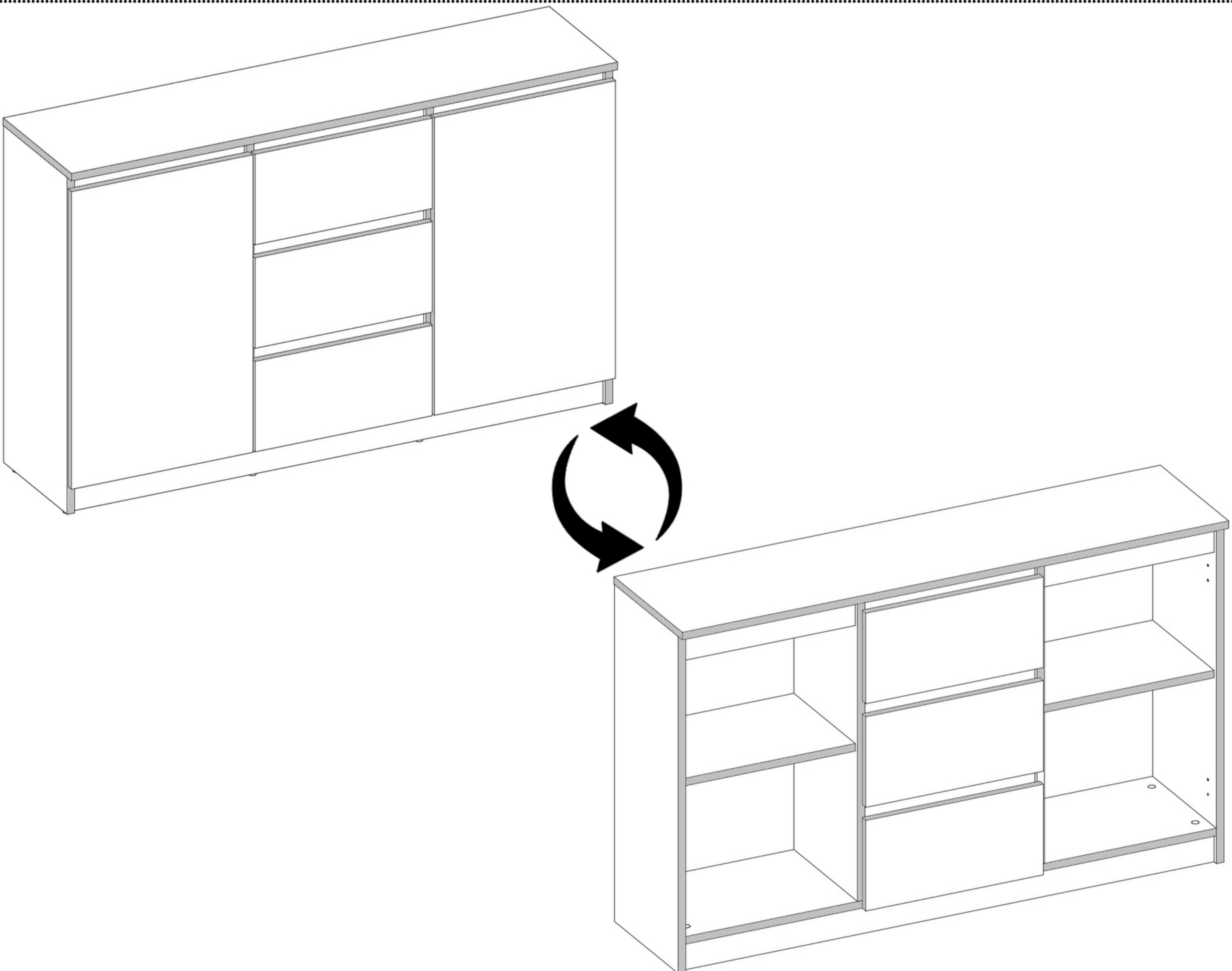
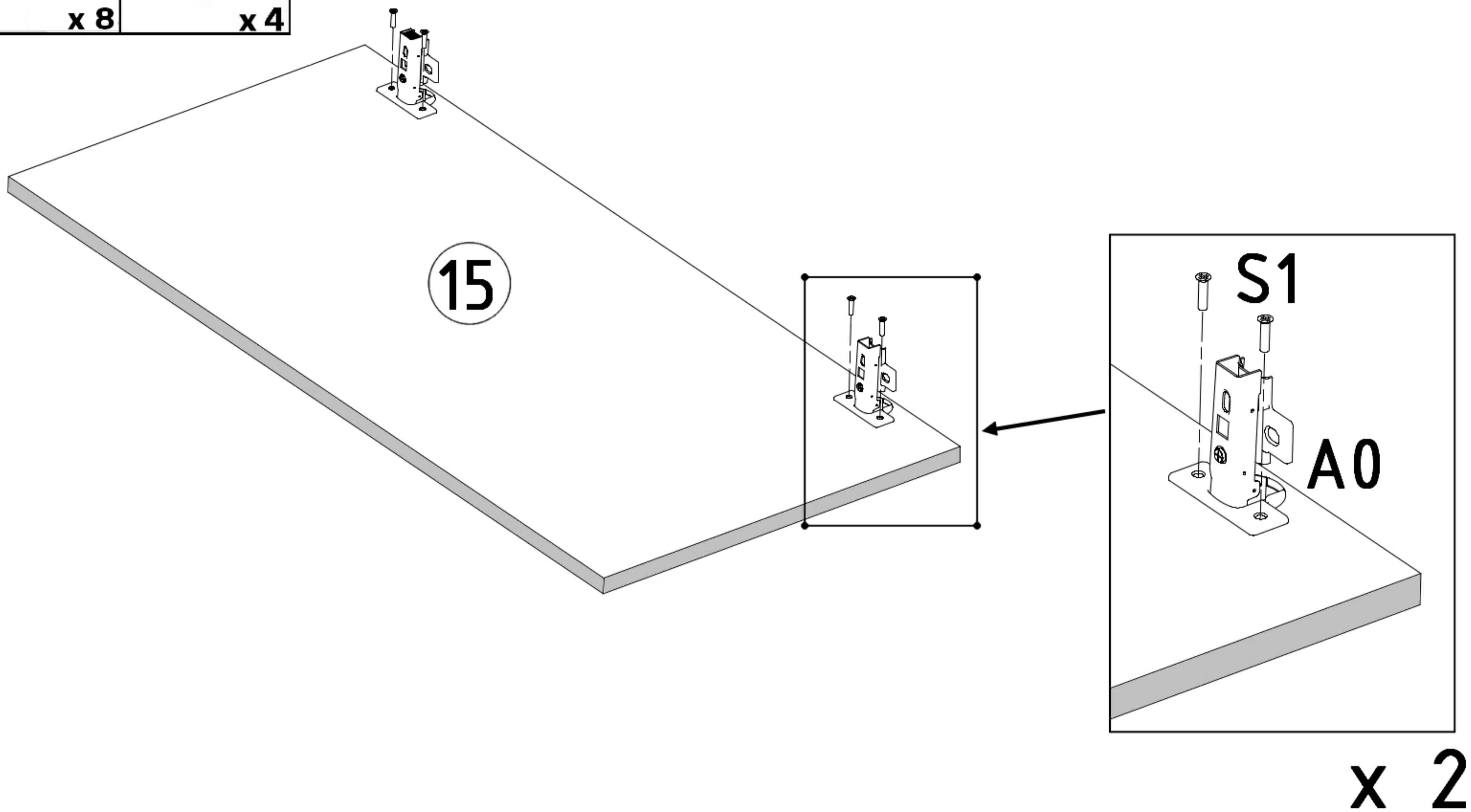
x 3

x 3

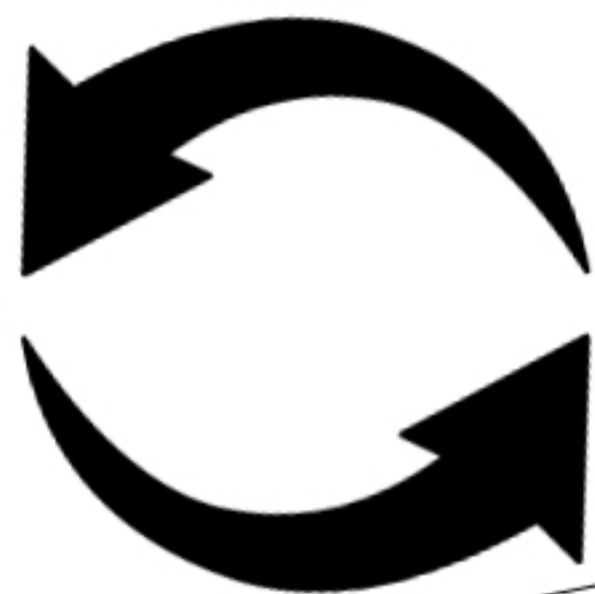
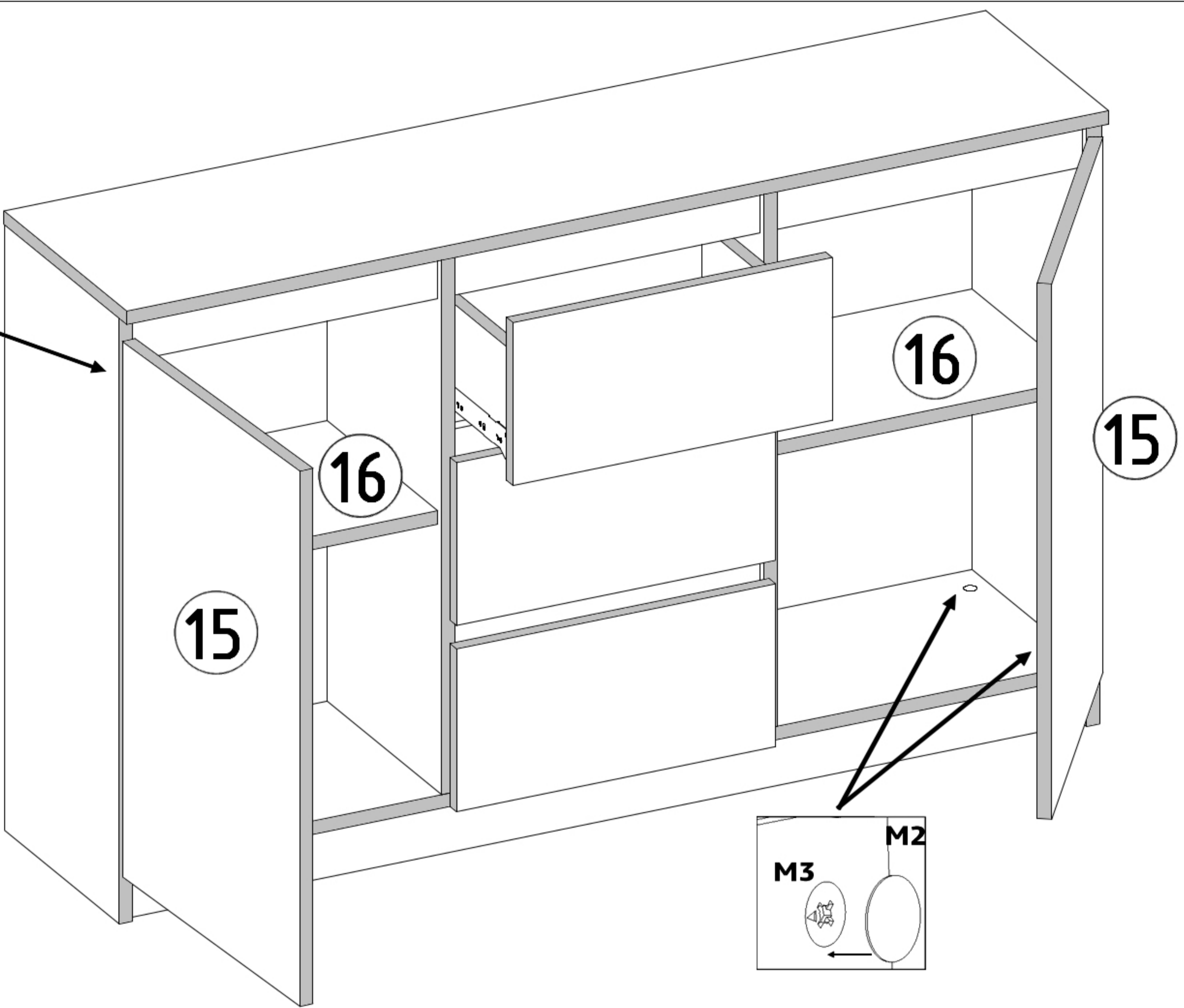
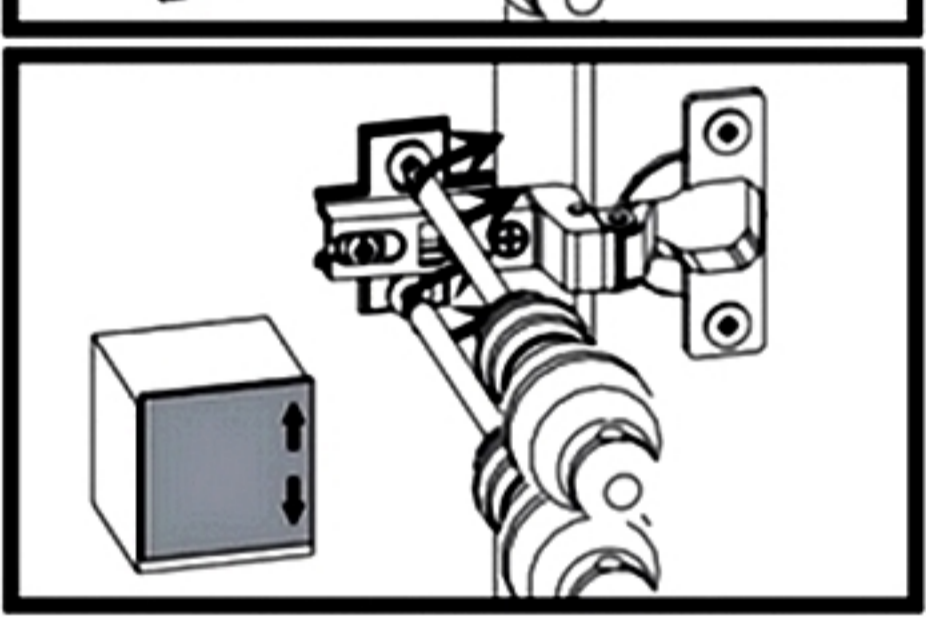
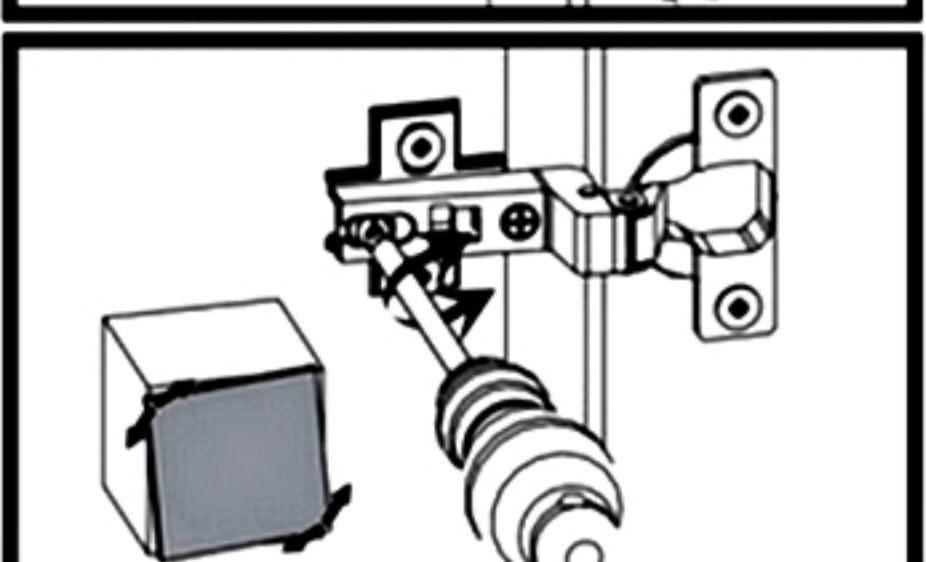
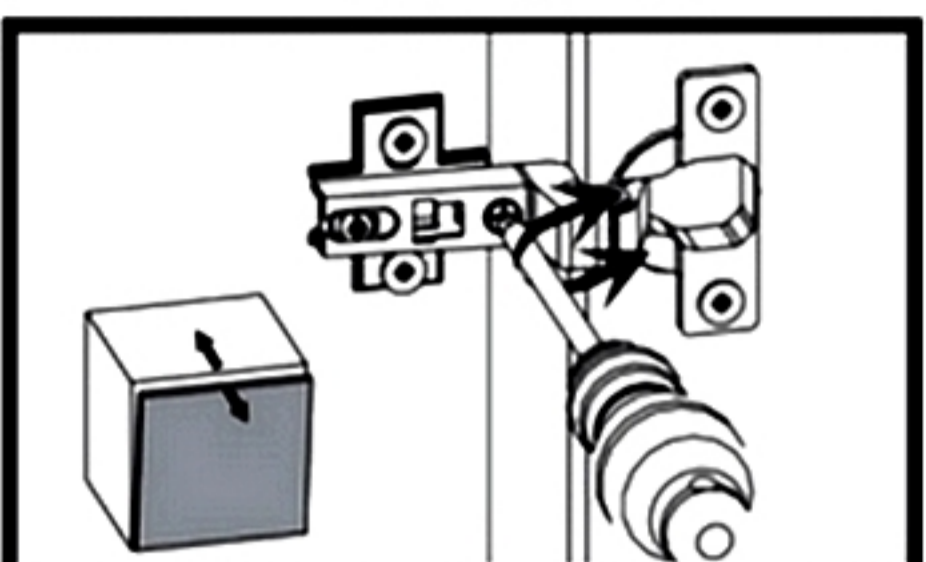
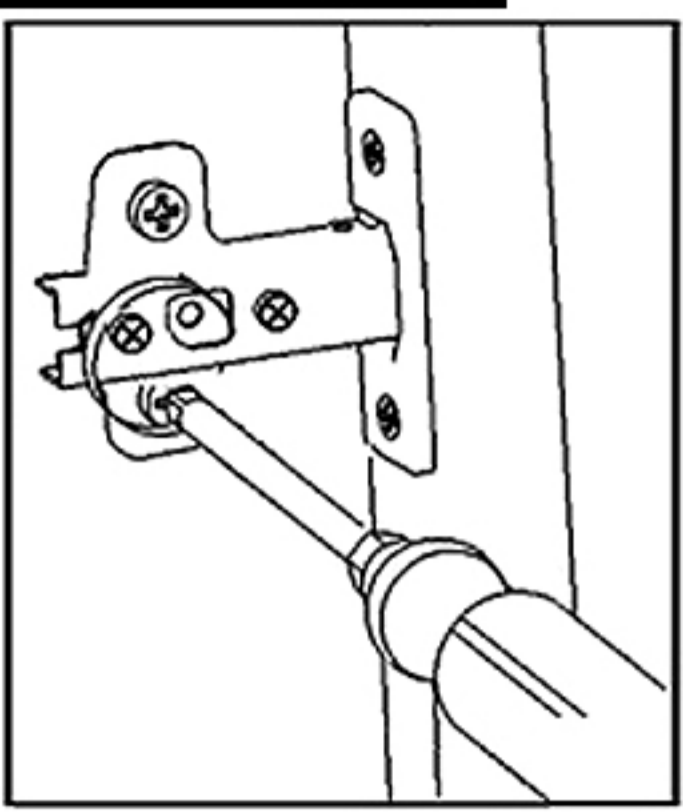


x 3

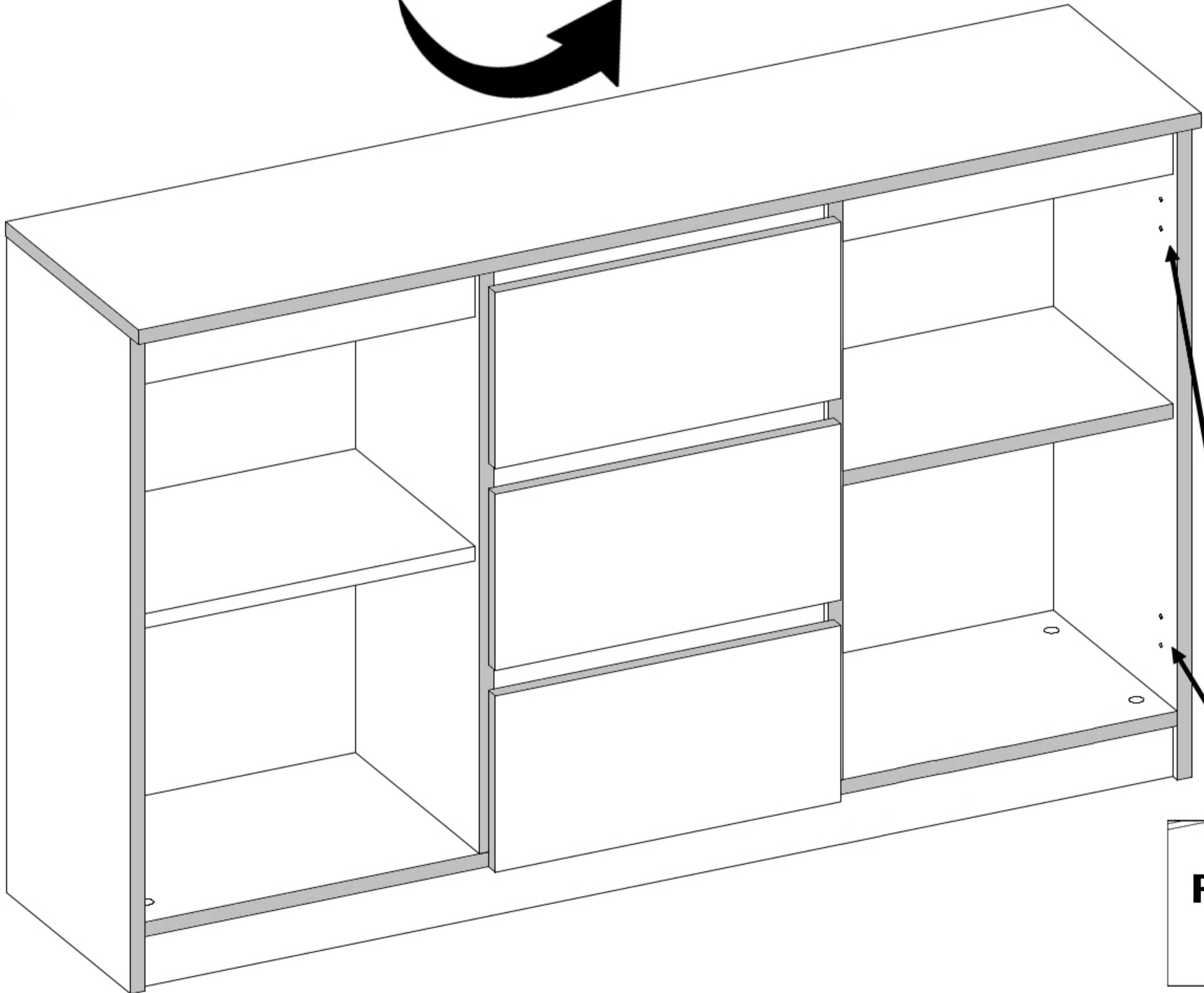
S1  x 8	A0  x 4
--------------------------------------------------------------------------------------------------------------	--------------------------------------------------------------------------------------------------------------



M2
x 4



F2
ø12mm x 8



F2 **F1**

