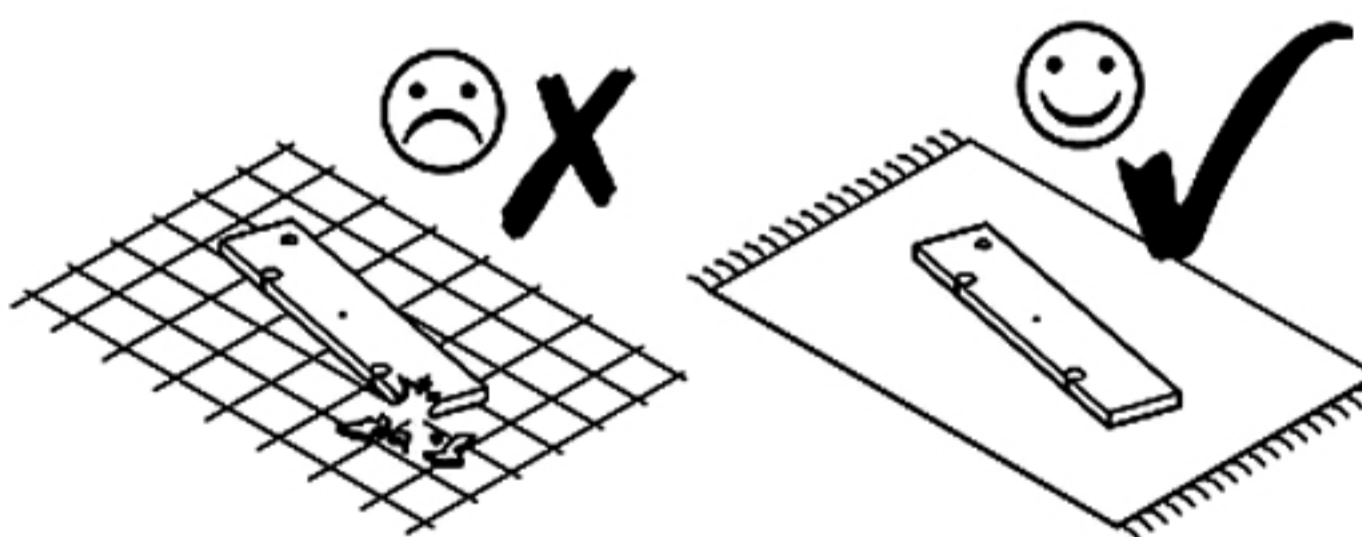
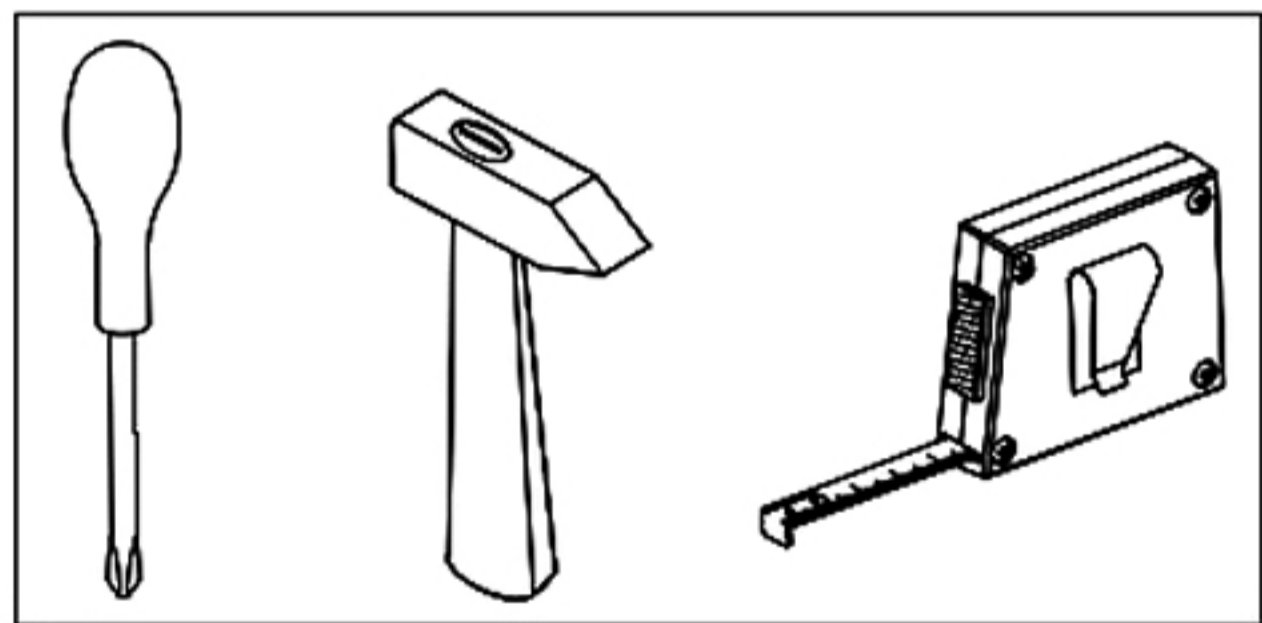
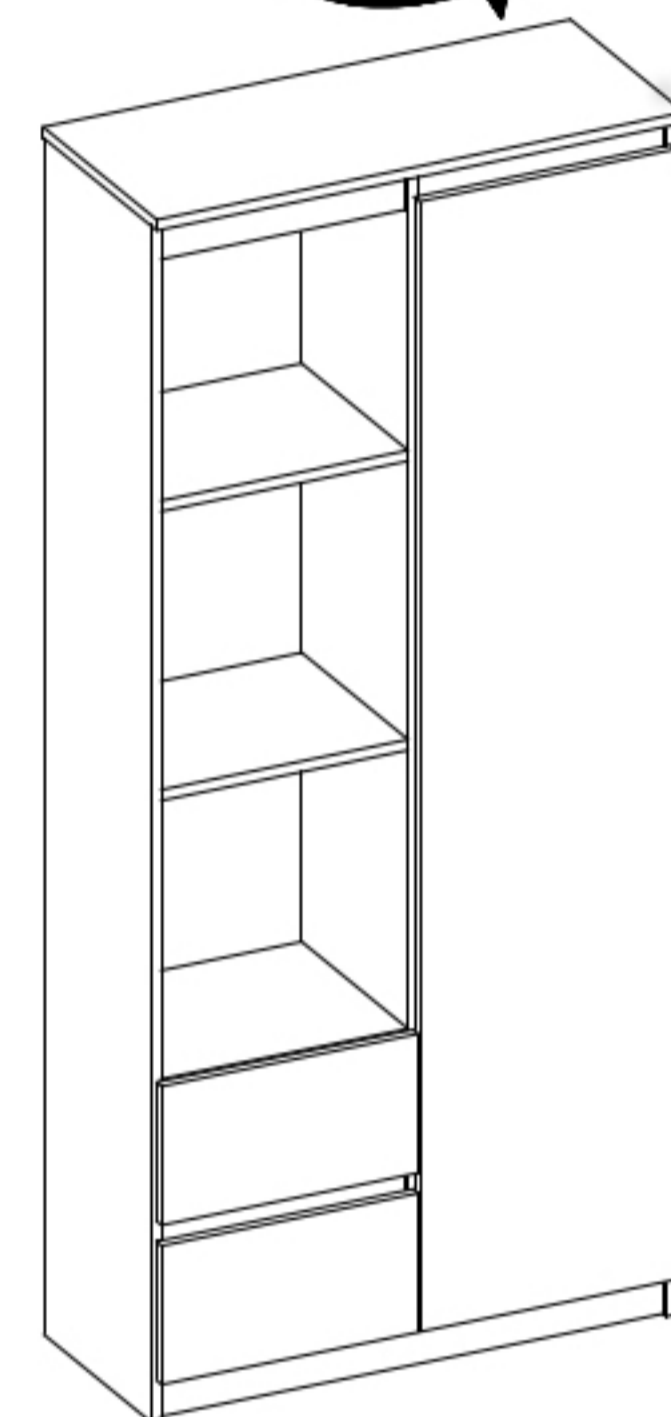
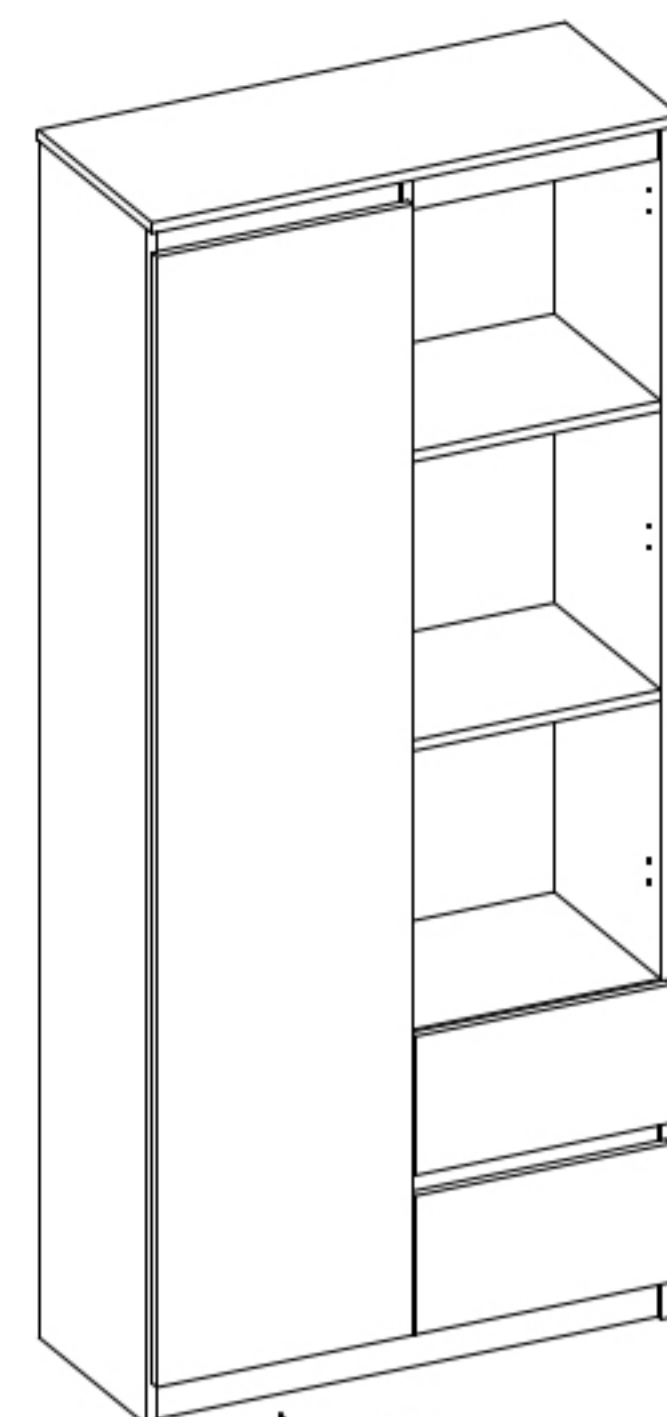
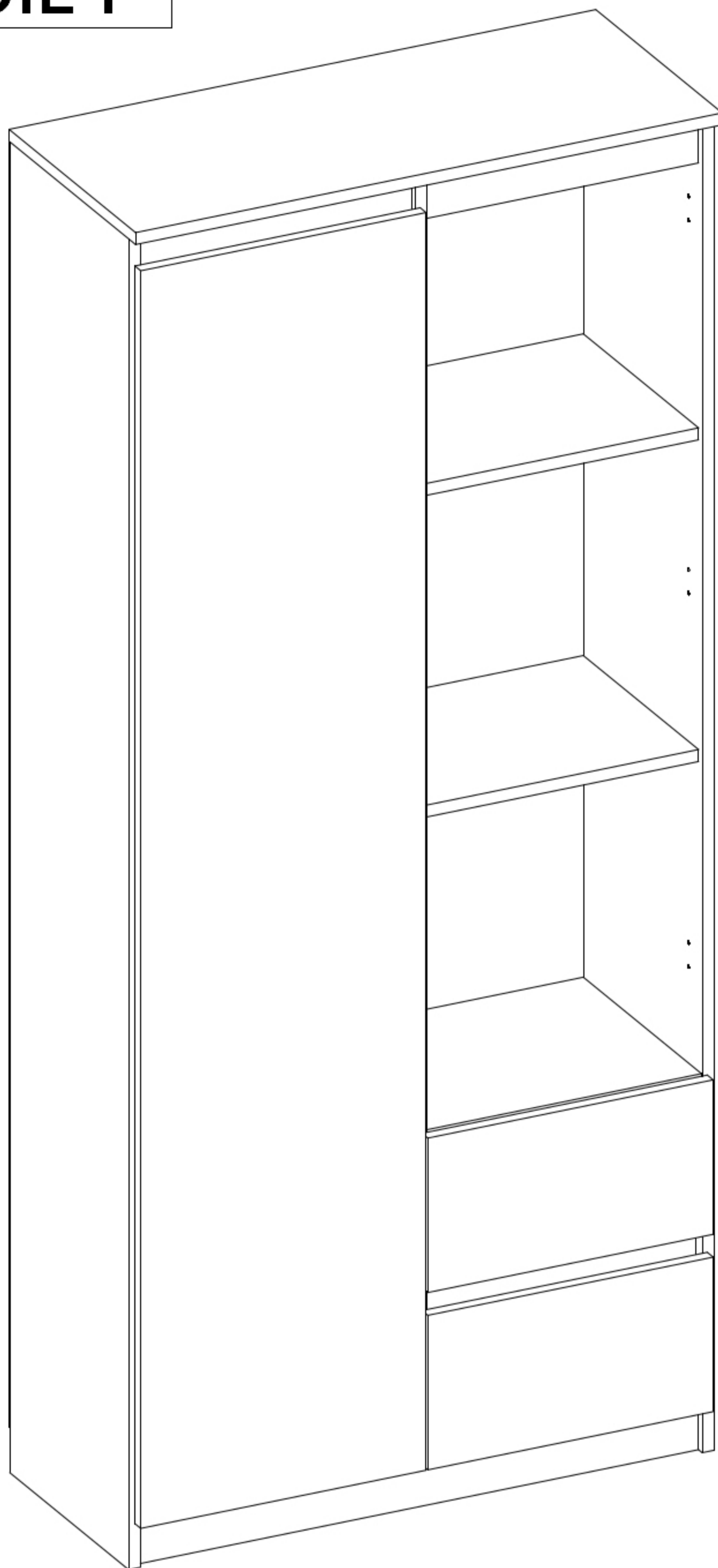
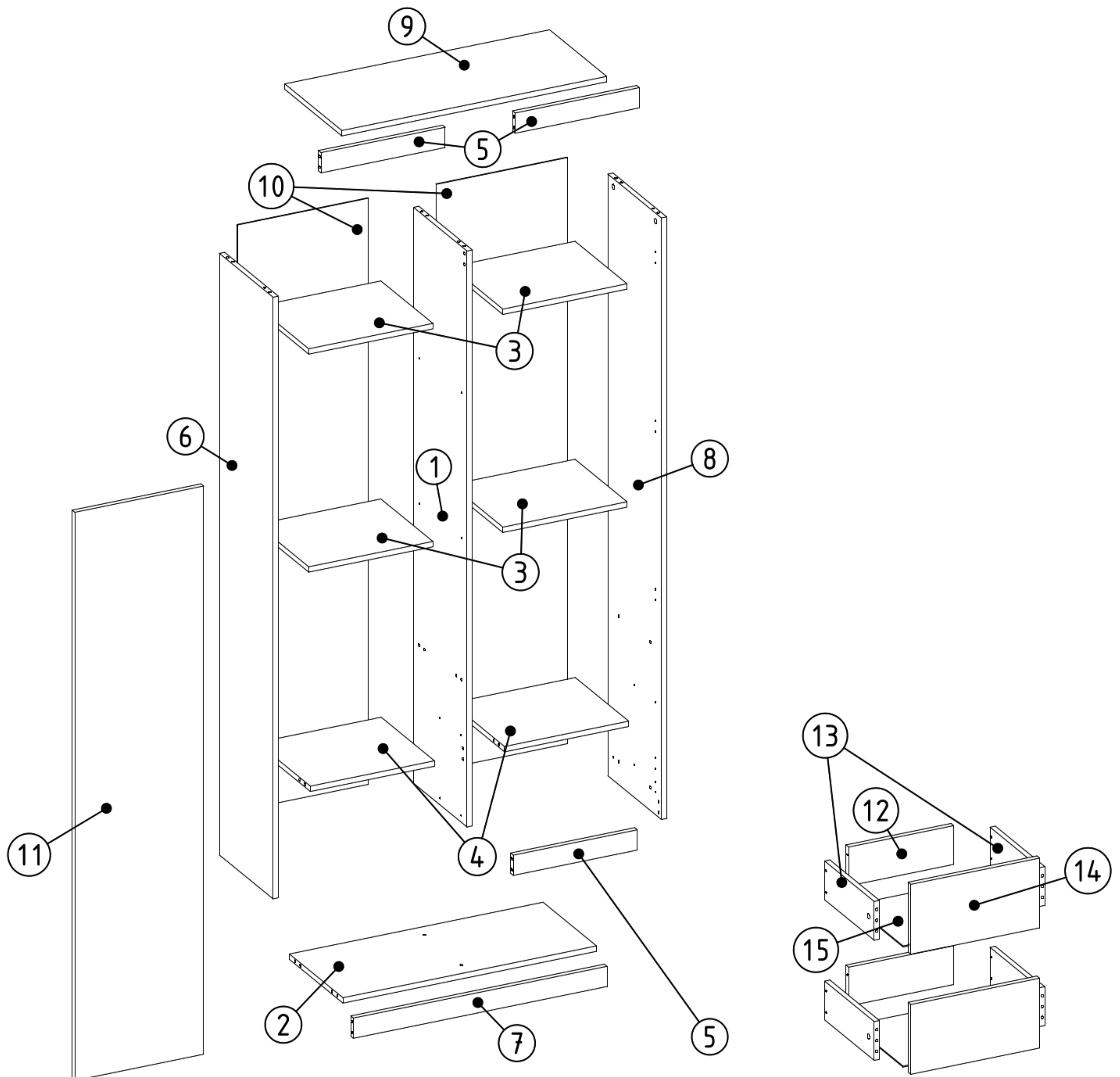


19.06.2020

RS-80 BILY

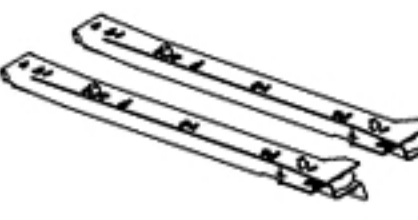






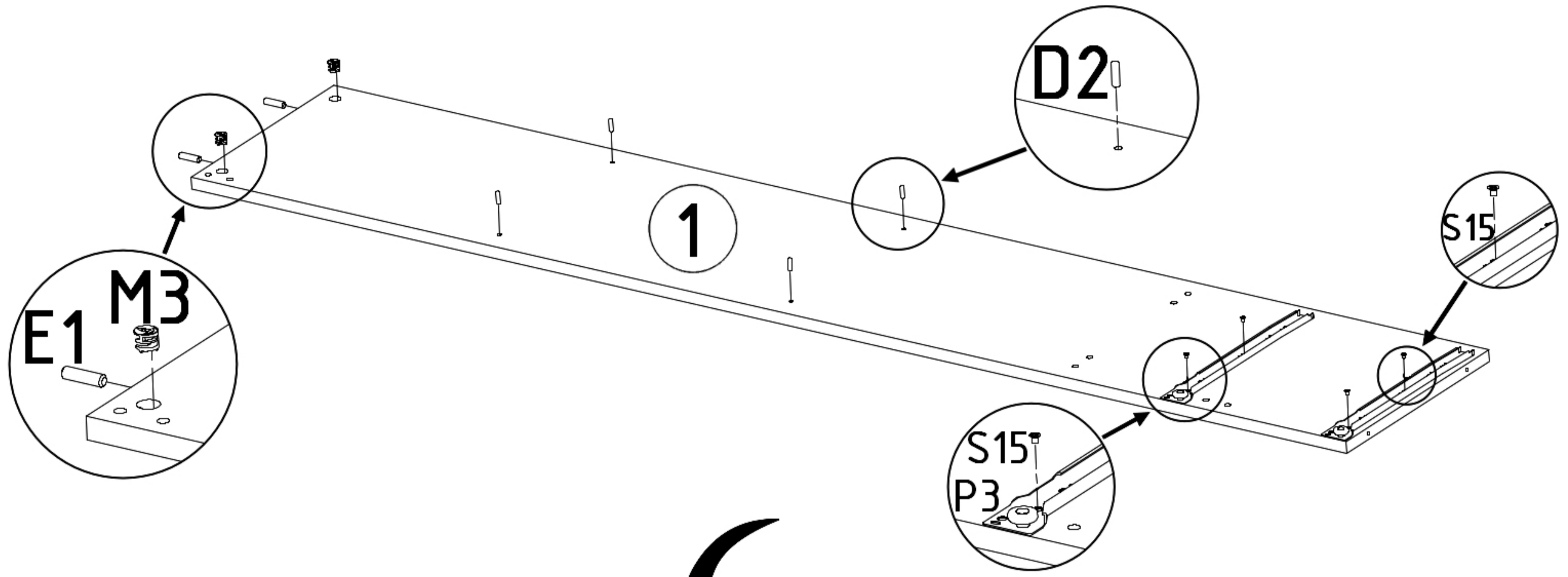
P3 L=300 mm x 2	E4 L=43 mm x 8	M4 ø8 mm x 4	M5 ø5 mm x 14	A0 ZB x 4	N3 L=56 mm x 2	S15 6x9 mm x 8	
N2 L=35 mm x 18	M3 12x15 mm x 22	D2 5x16 mm x 16	F2 7x50 mm x 2	S1 3,5x16 mm x 16	E1 8x30 mm x 34	S7 2,5x20 mm x 8	
T1 x 5	Z2 x 90	K1 x 1	Z4 x 8	M2 ø17 mm x 10	E3 8x50 mm x 4	 x 1	 x 1






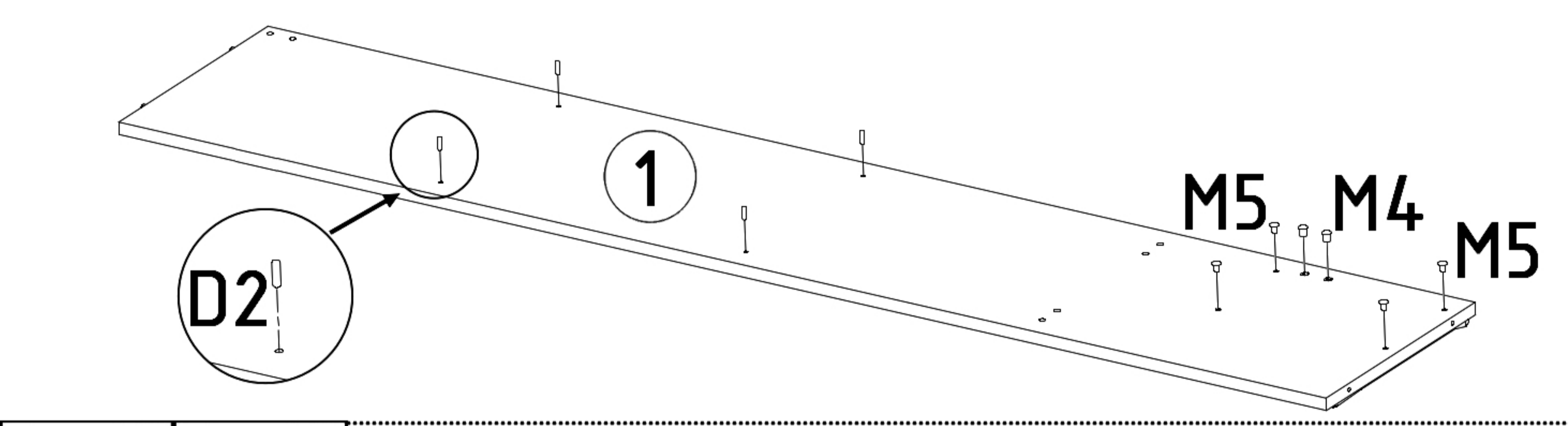
1	x	1
2	x	1
3	x	4
4	x	2
5	x	3
6	x	1
7	x	1



8	x	1
9	x	1
10	x	2
11	x	1
12	x	2
13	x	4
14	x	2
15	x	2

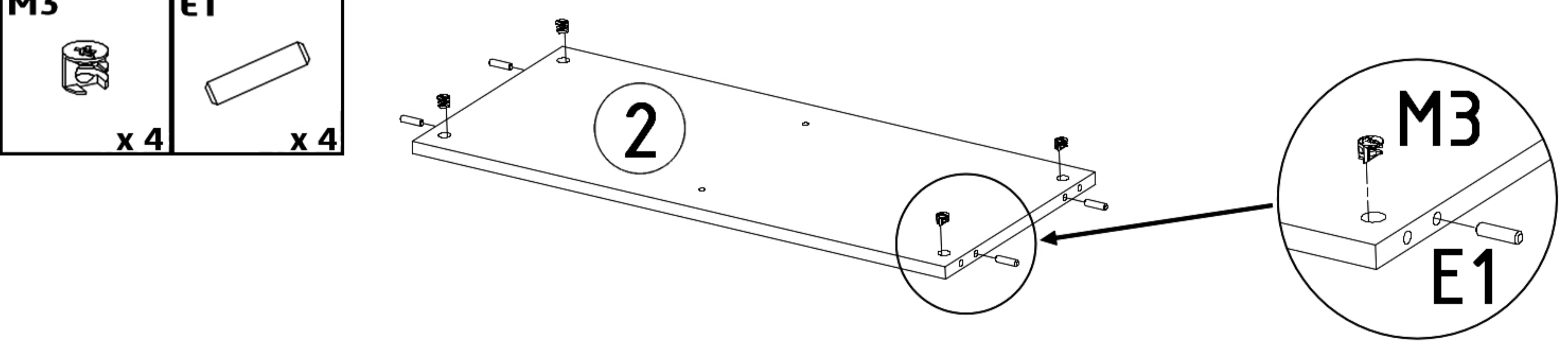
P3  x 2	S15  x 4	E1  x 2	D2  x 4	M3  x 2
--	--	---	---	---




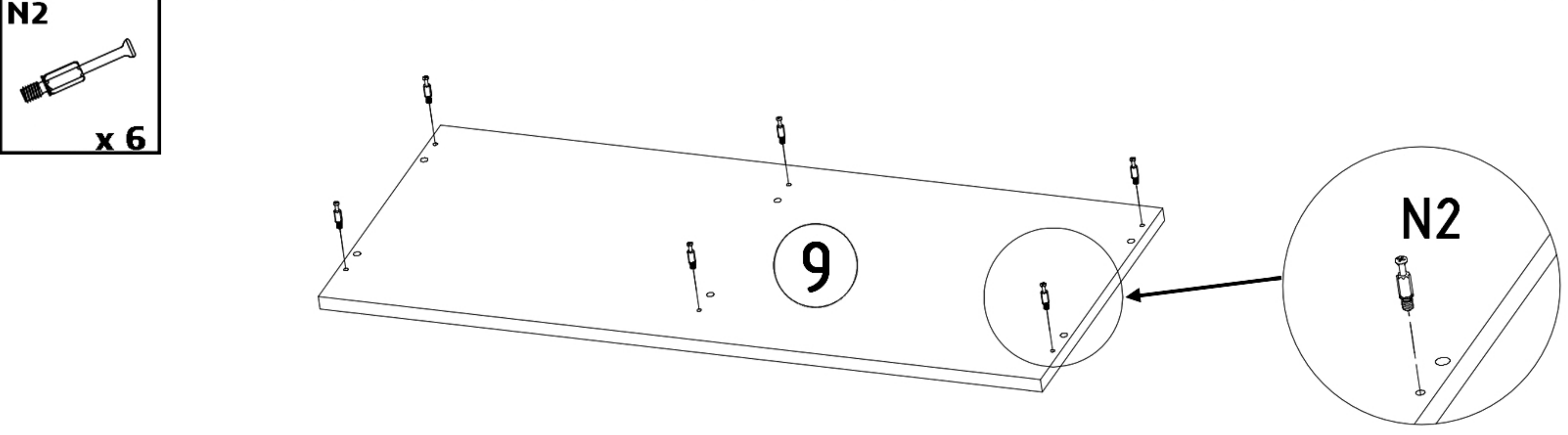
M4  x 2	M5  x 4	D2  x 4
--	---	---

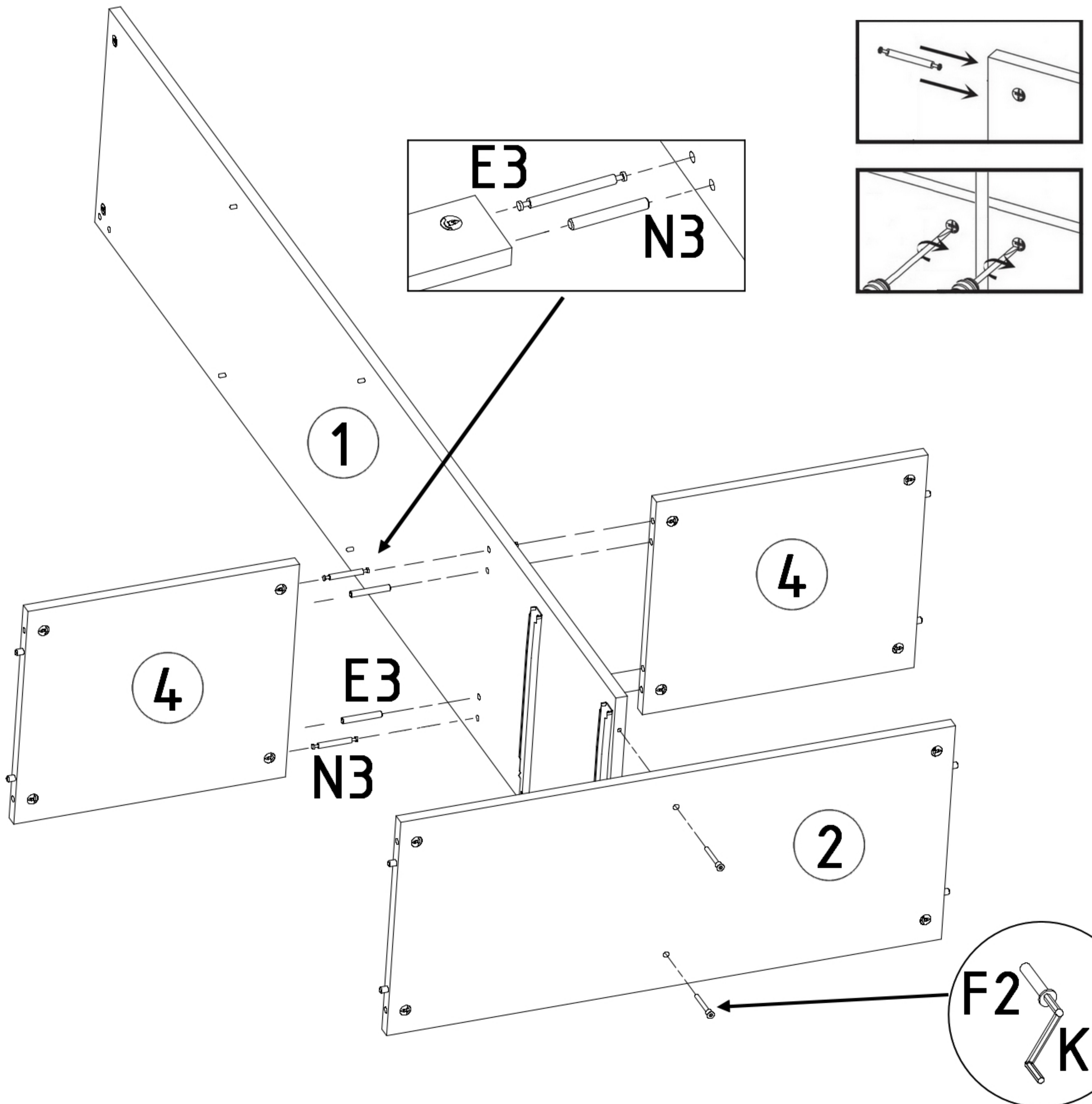
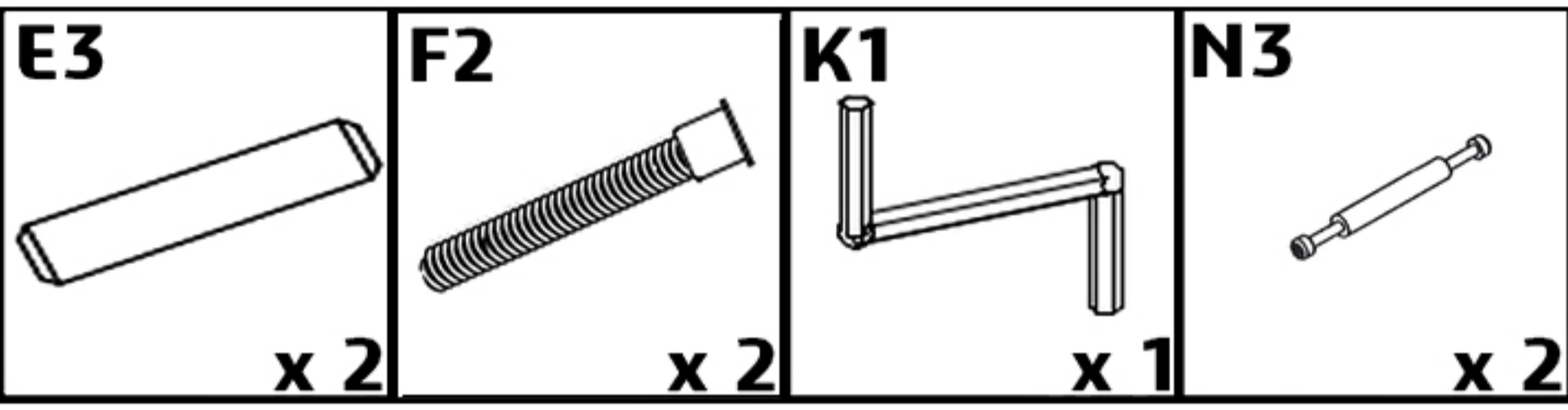
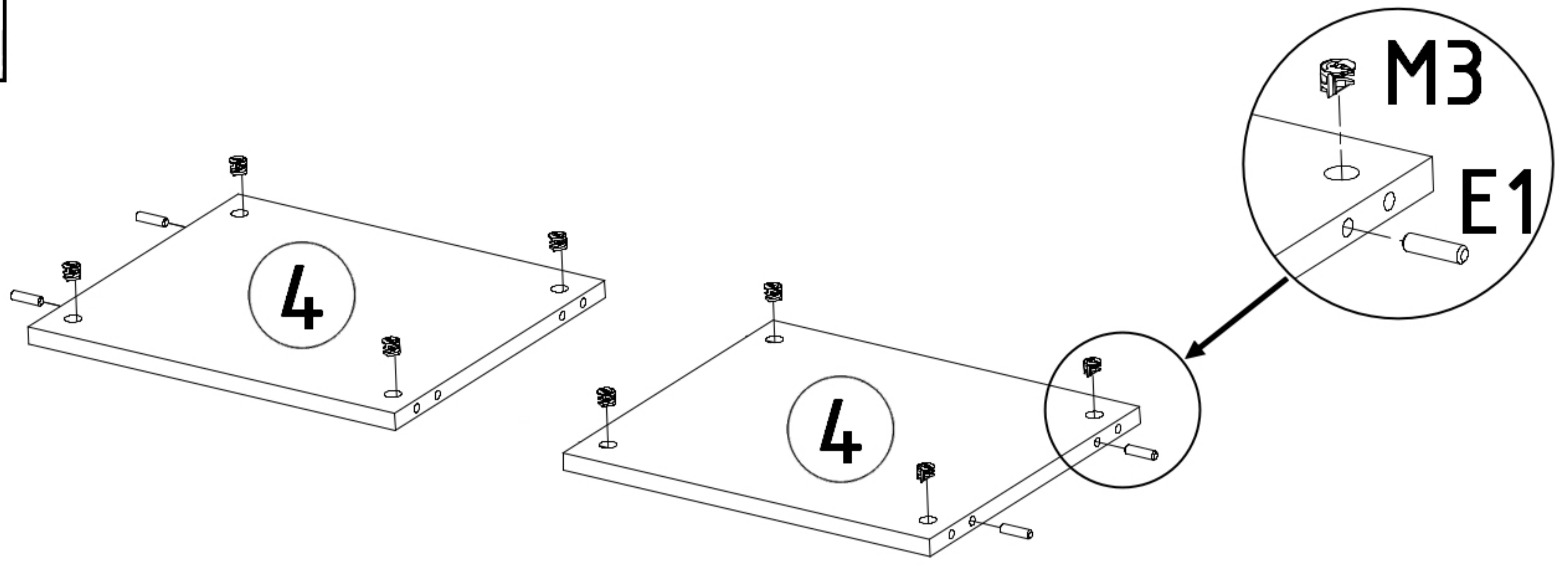
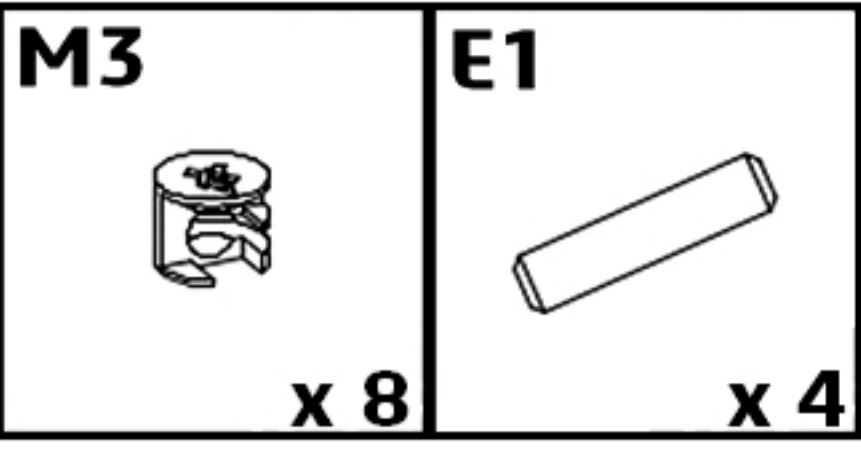




M3  x 4	E1  x 4
--	---

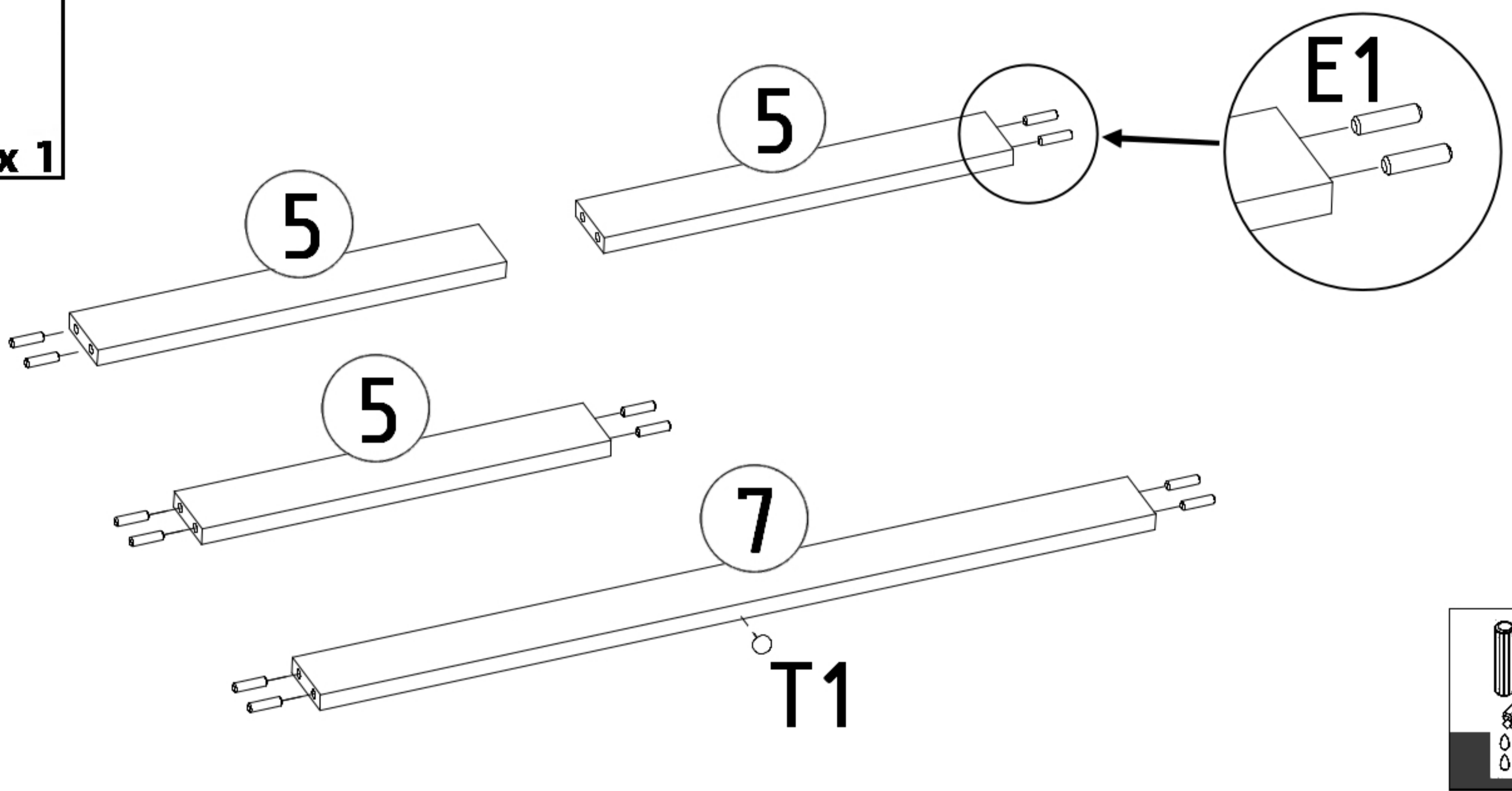




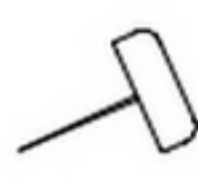



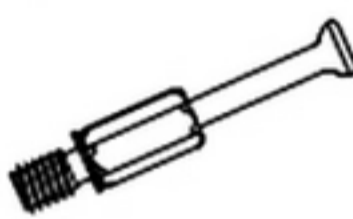
N2  x 6
--

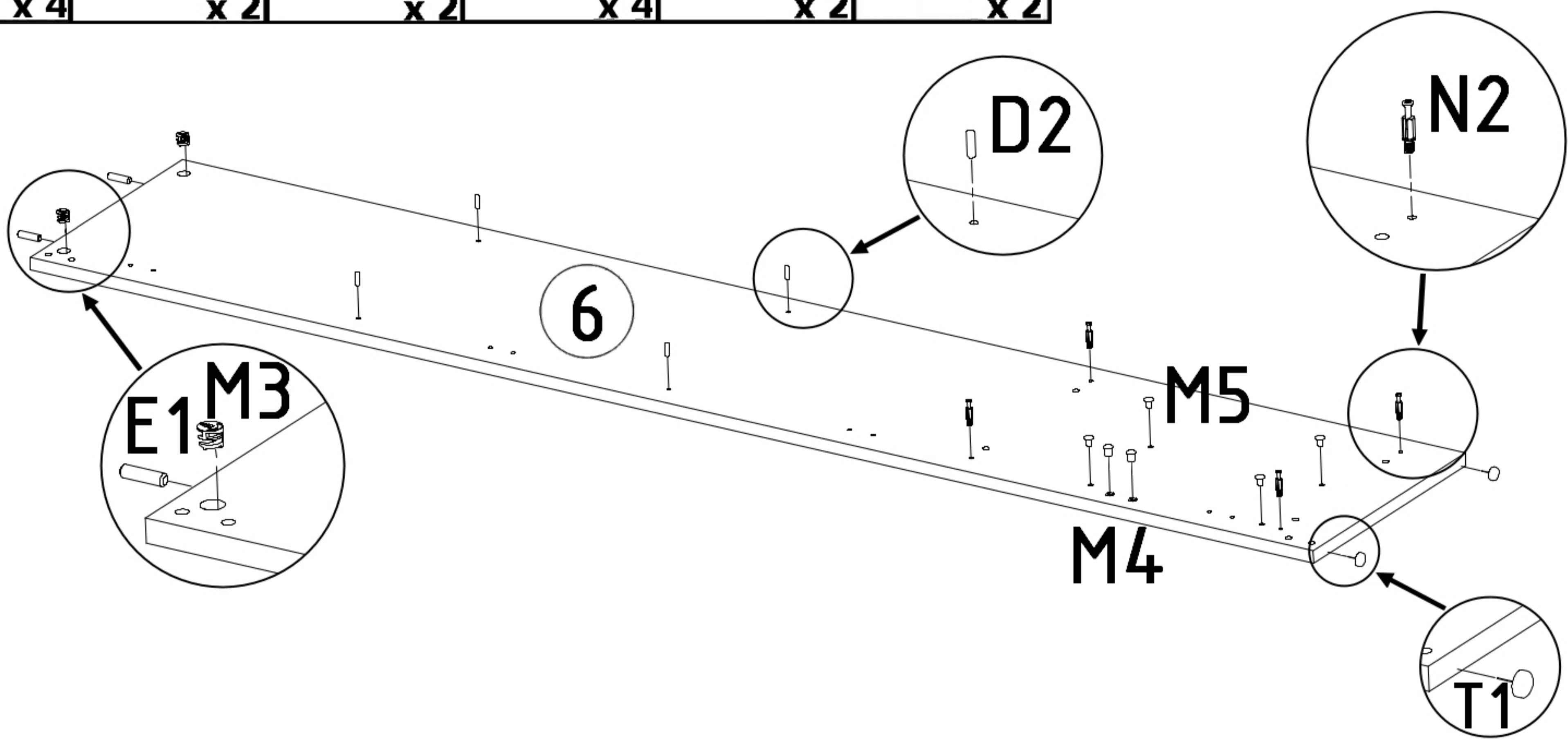


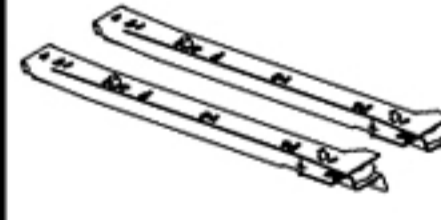

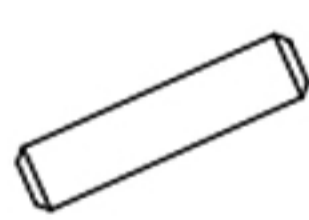







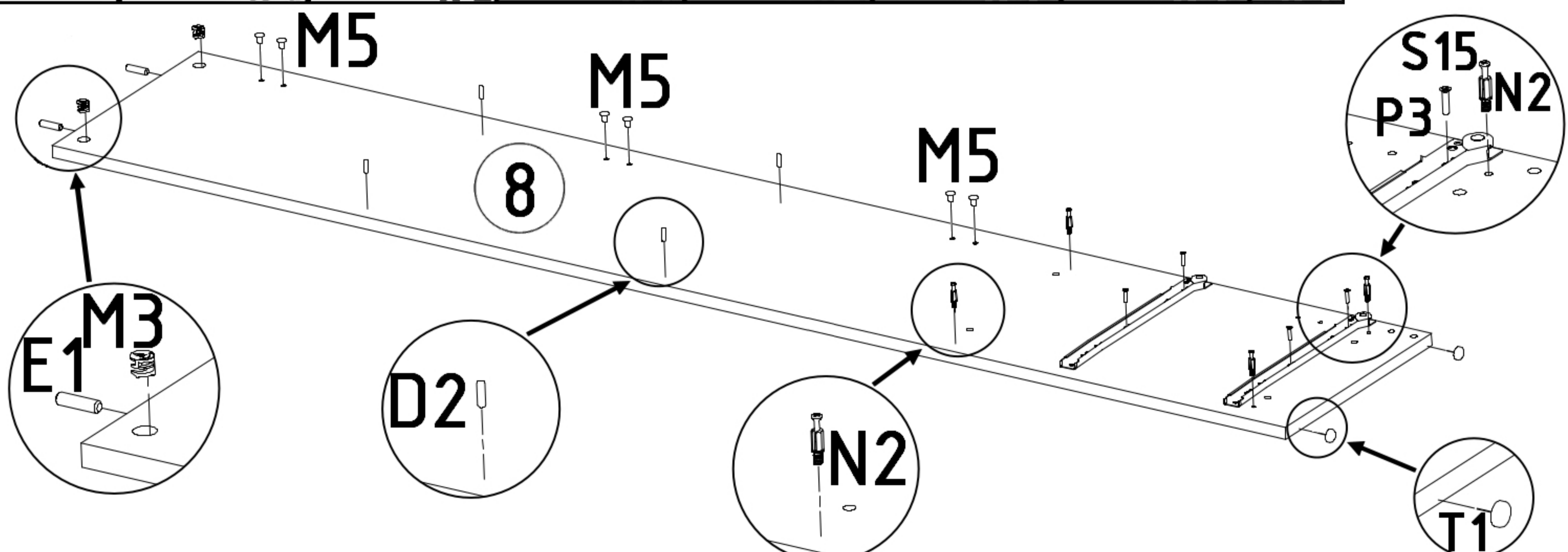
E1  x 12	T1  x 1
--	--

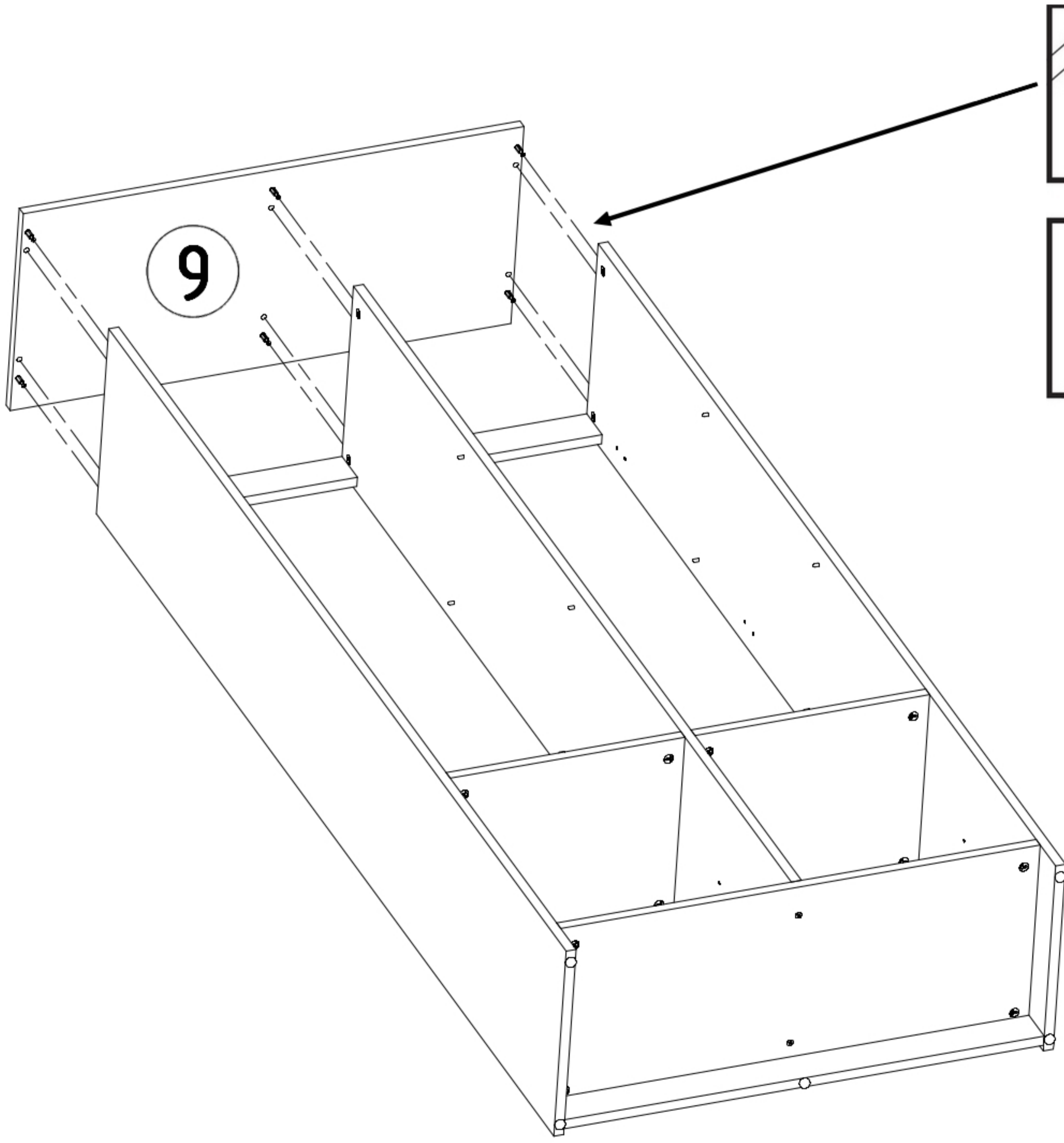
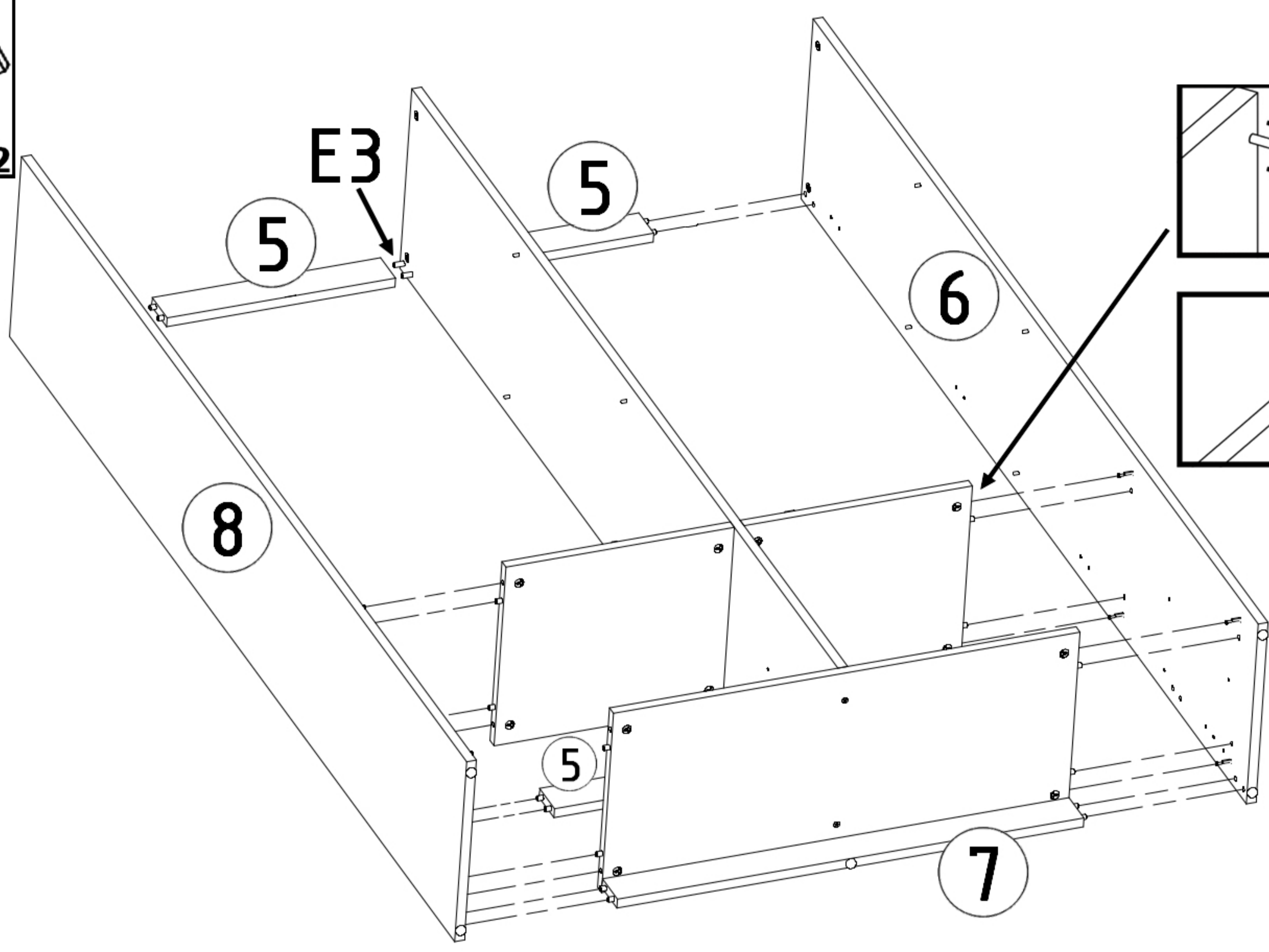
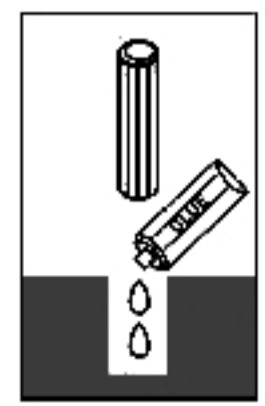
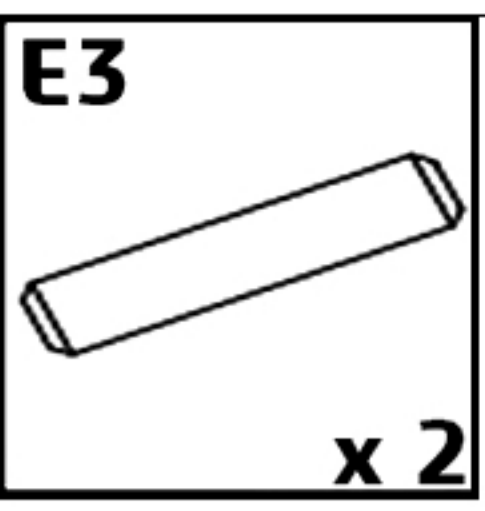





M4  x 2	M5  x 4	T1  x 2	E1  x 2	D2  x 4	M3  x 2	N2  x 2
---	--	--	--	--	--	--

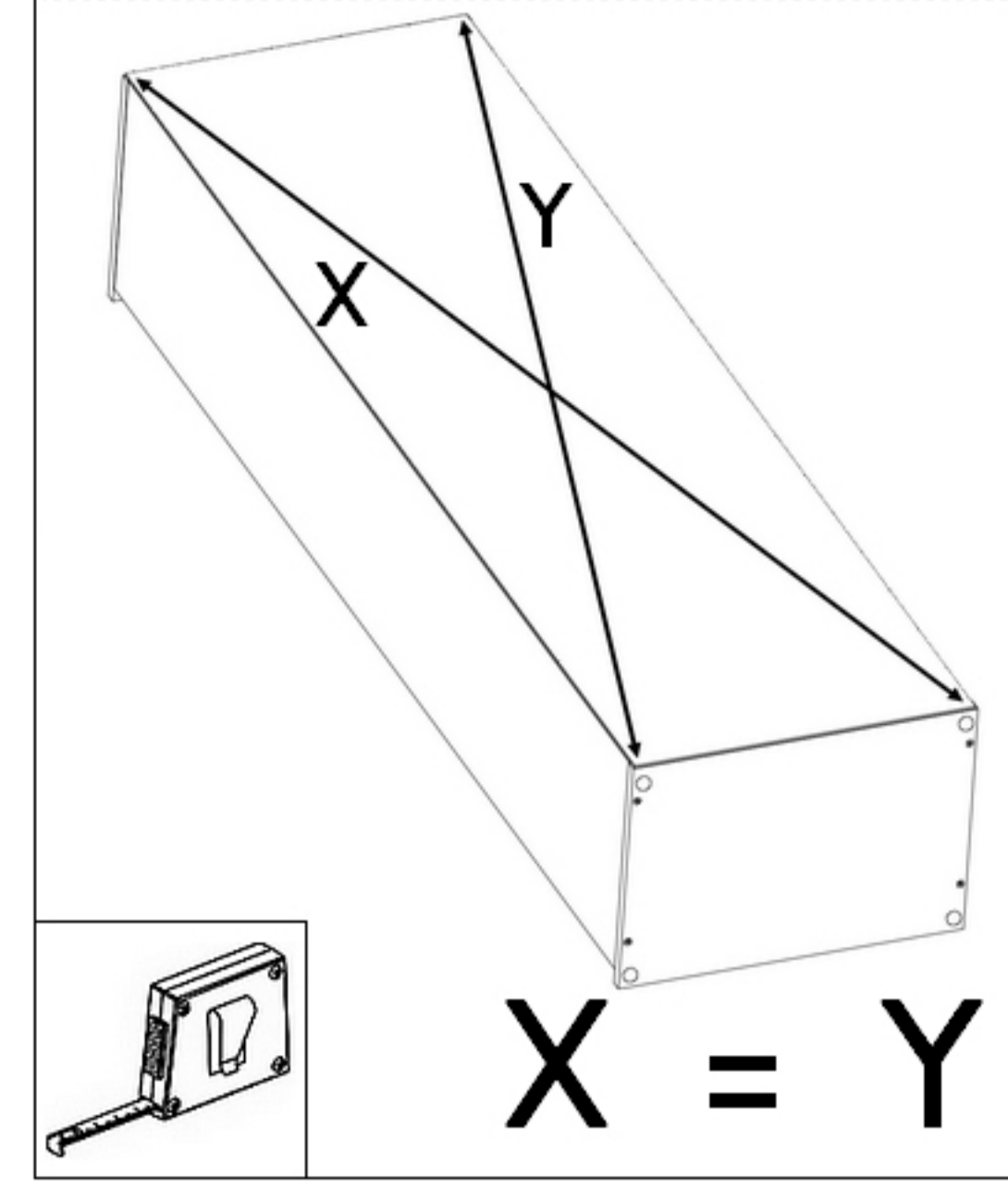
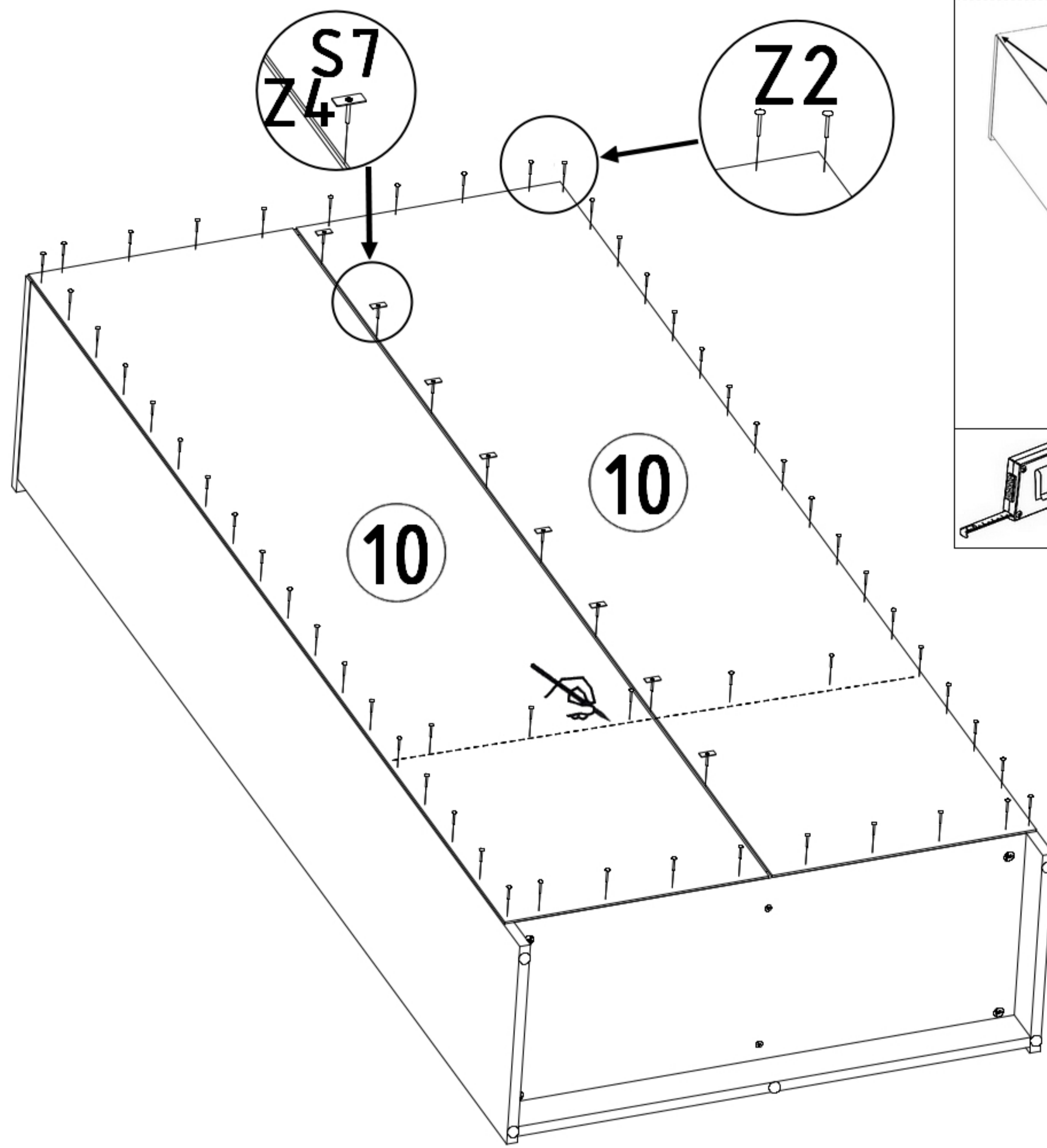



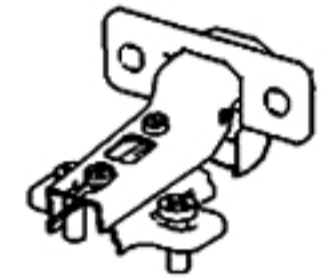
P3  x 2	S15  x 4	E1  x 2	D2  x 4	M3  x 2	N2  x 4	T1  x 2	M5  x 6
---	---	--	--	--	--	--	--

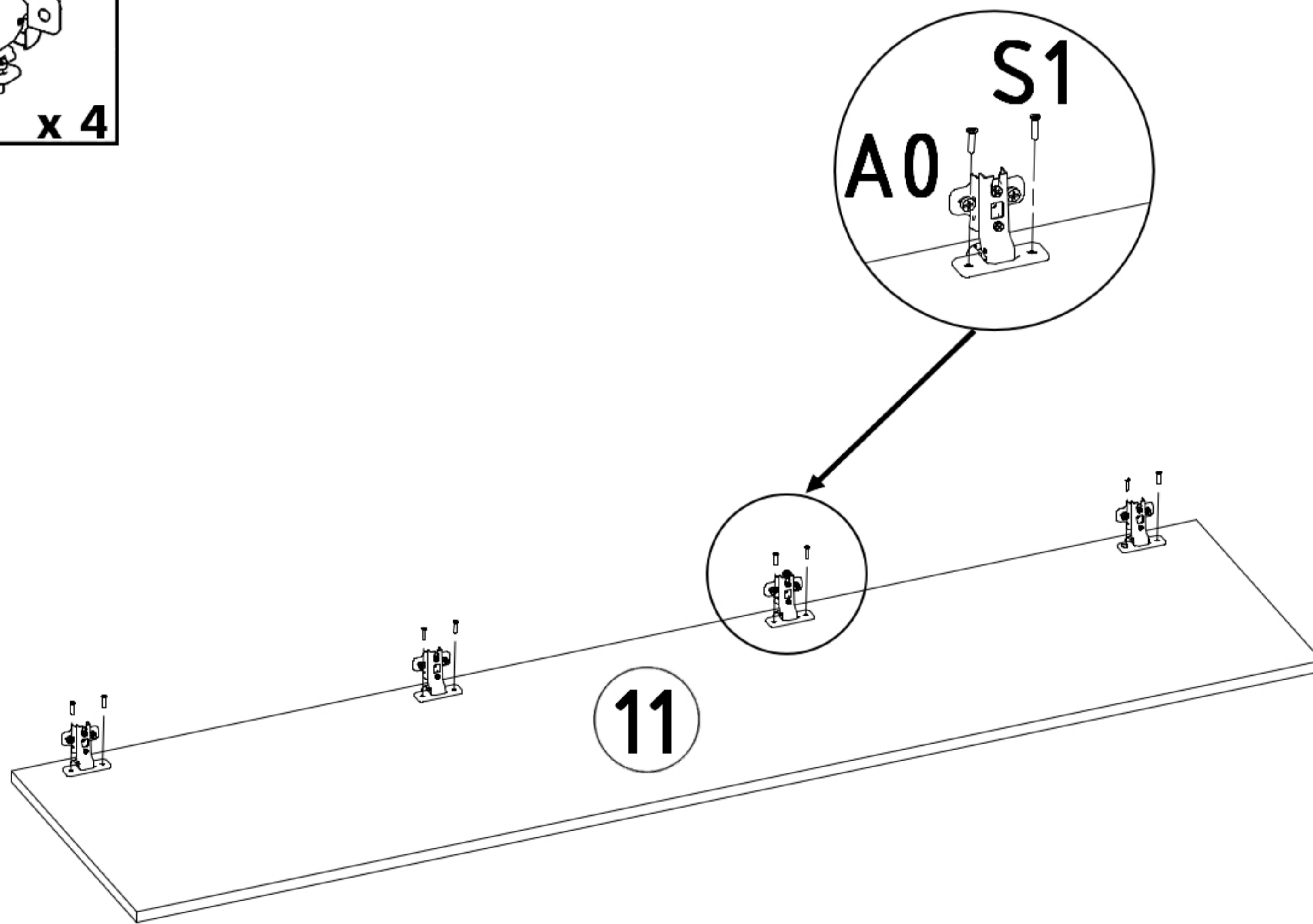


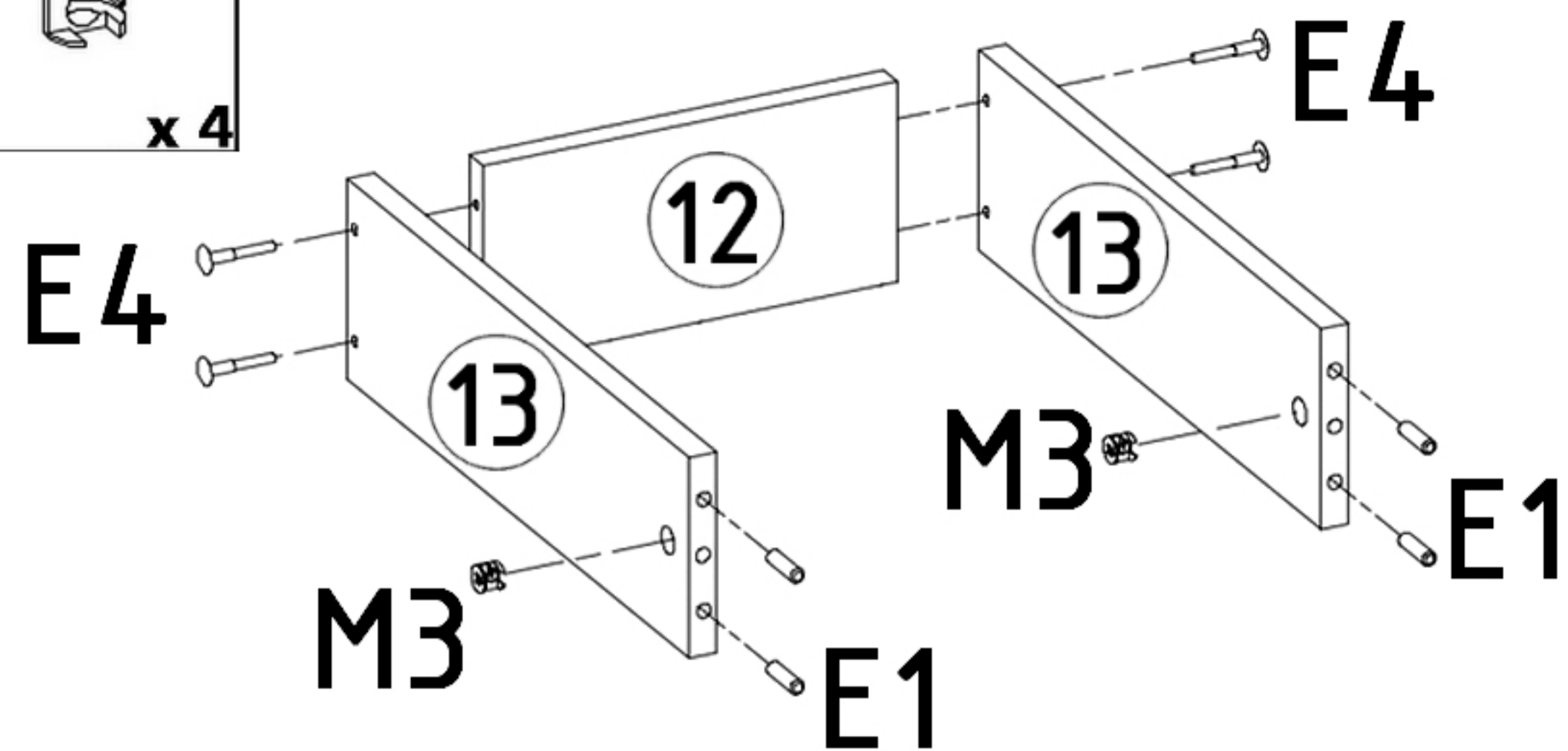
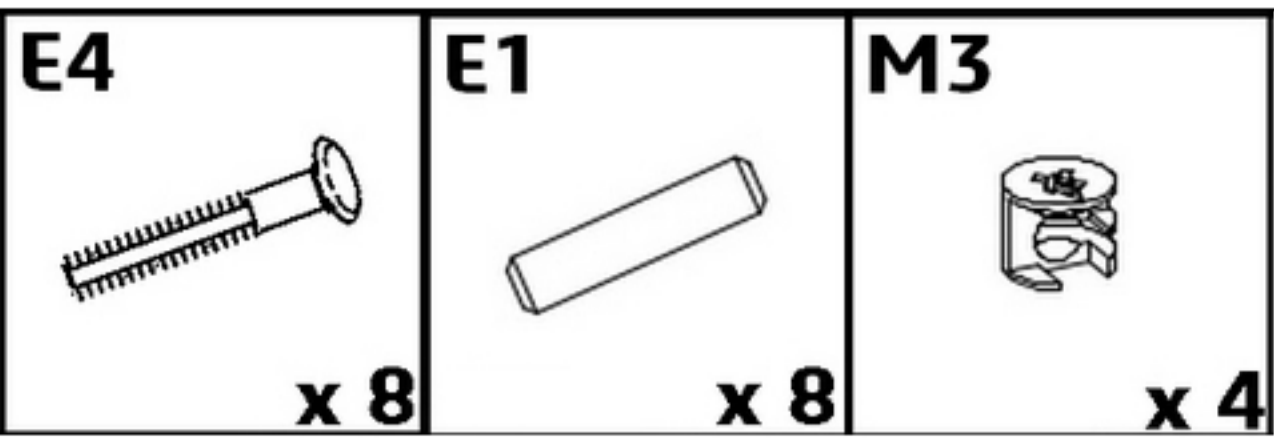


- Z4**

x 8
- S7**

x 8
- Z2**

x 70

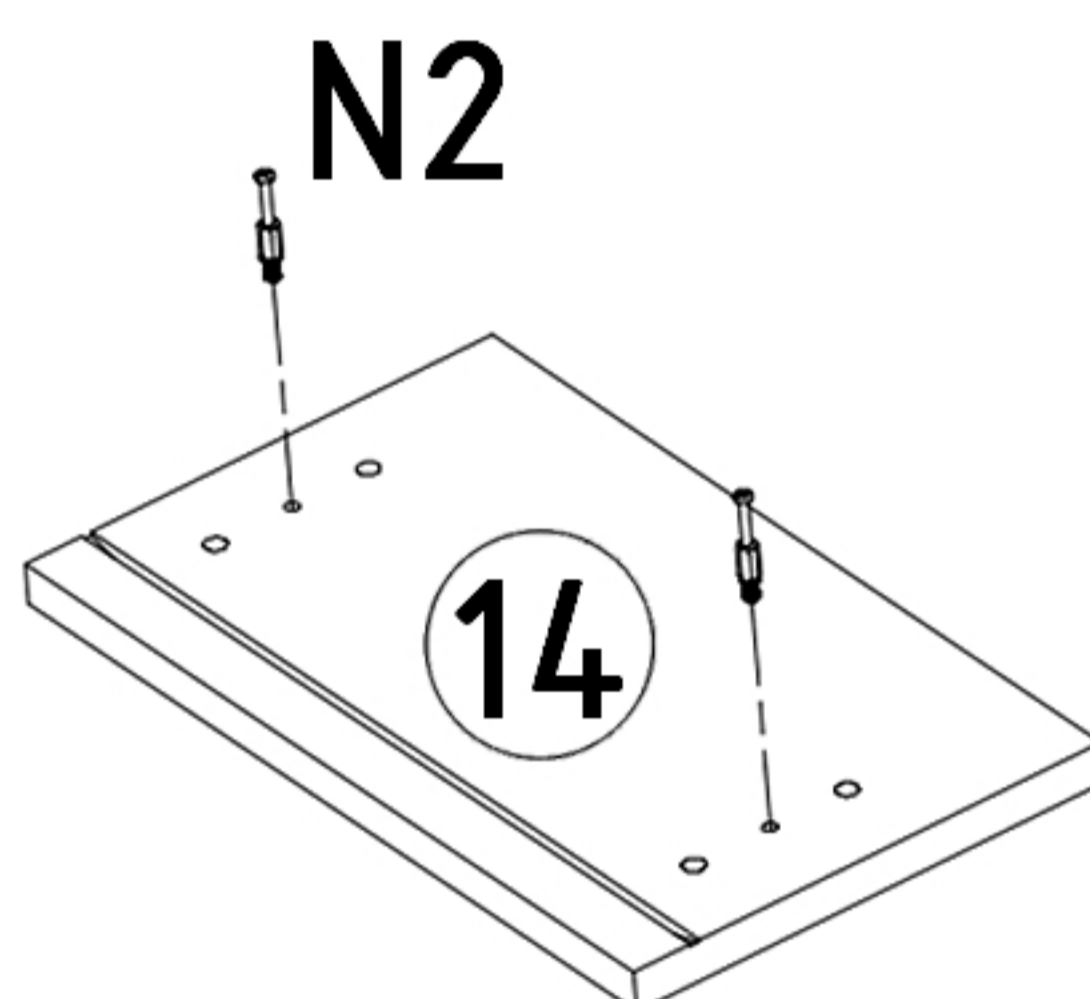
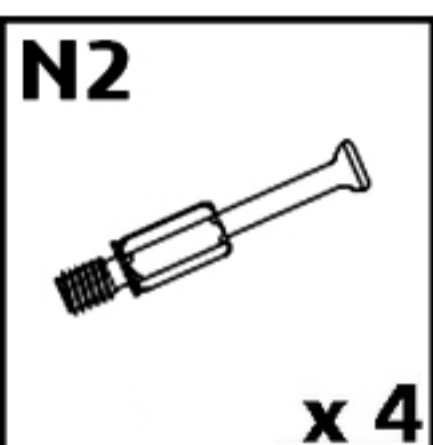


- S1**

x 8
- A0**

x 4

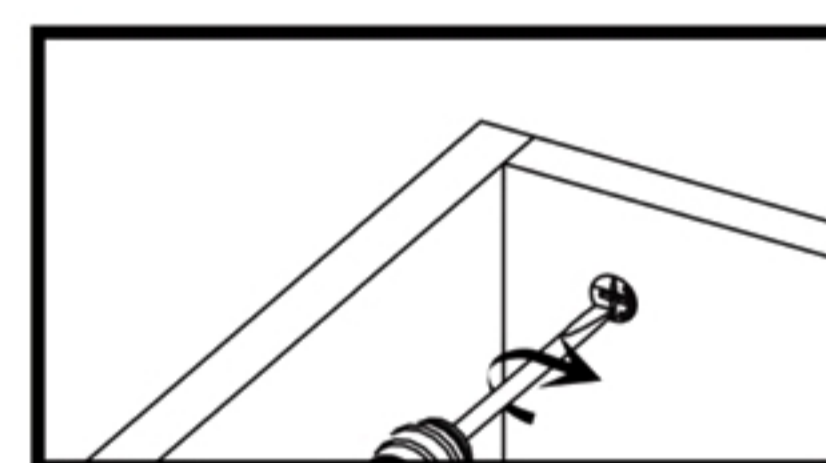
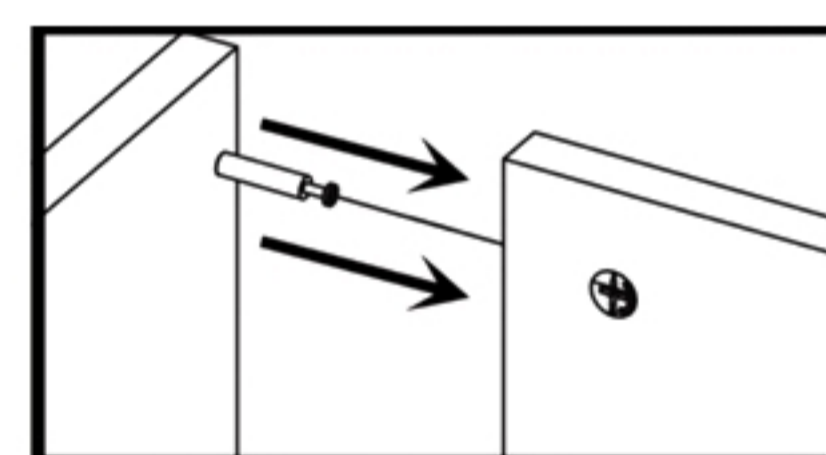
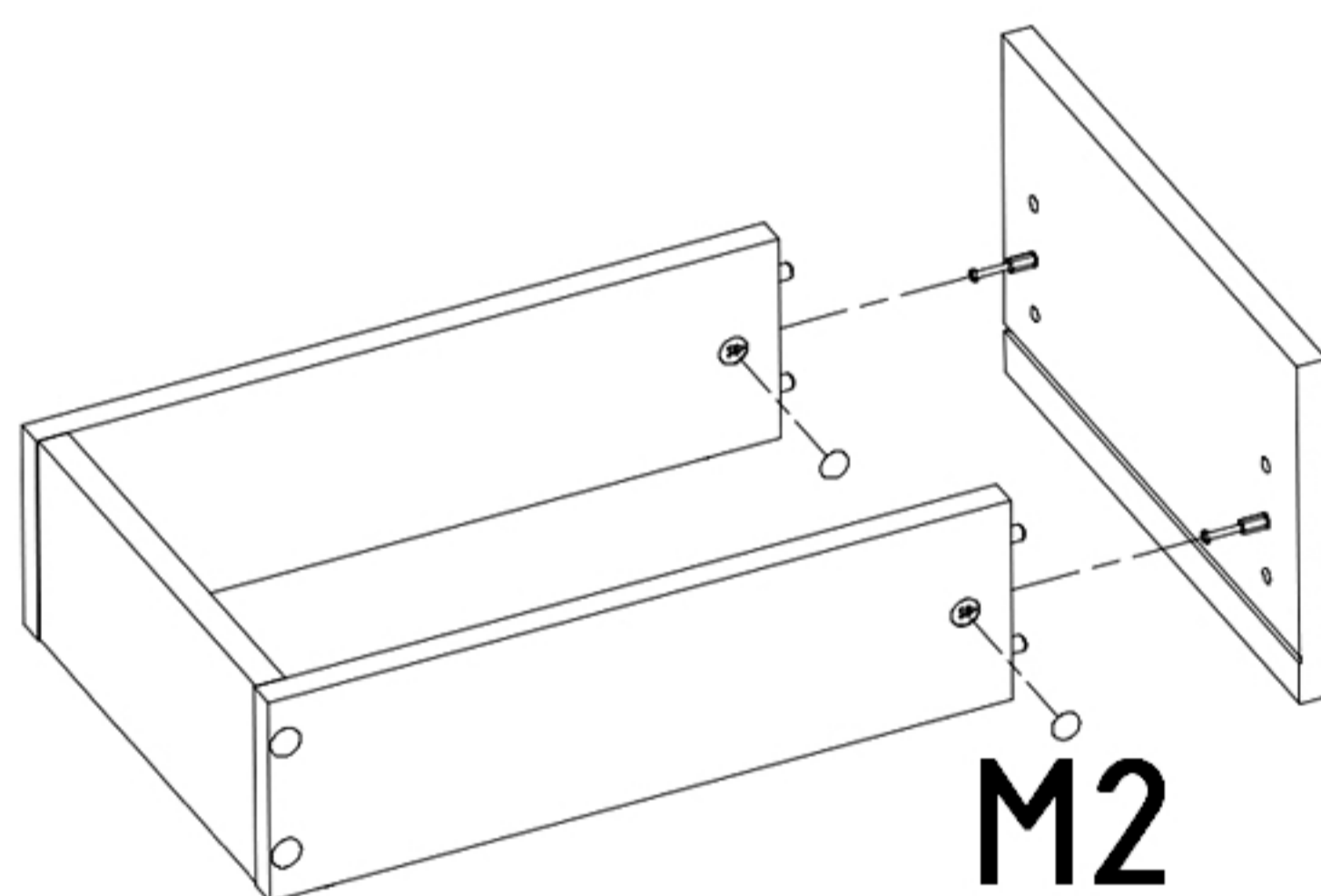
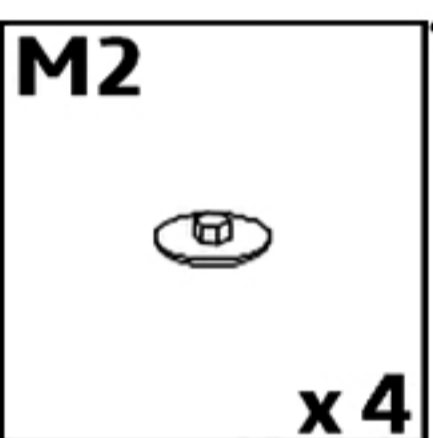




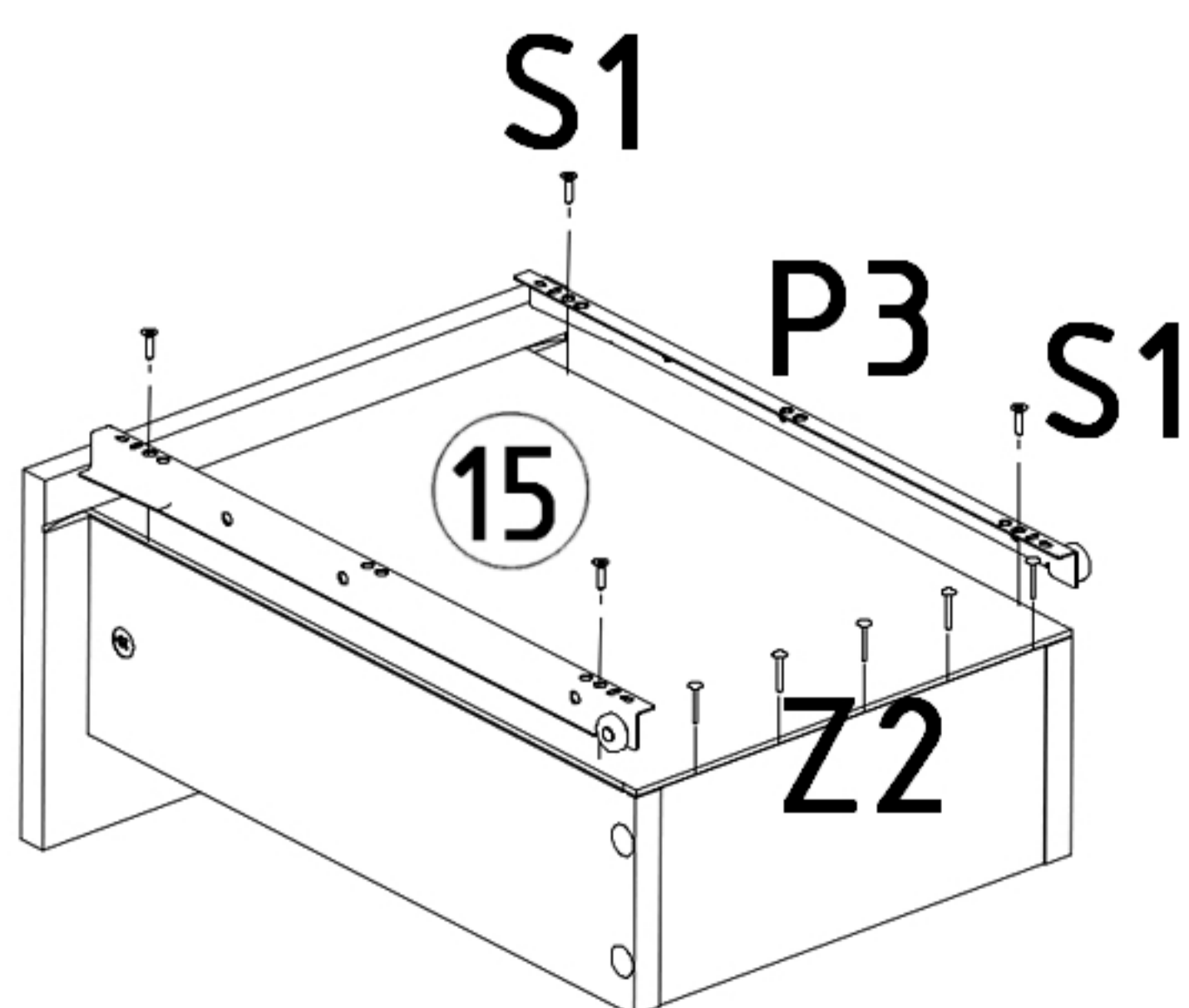
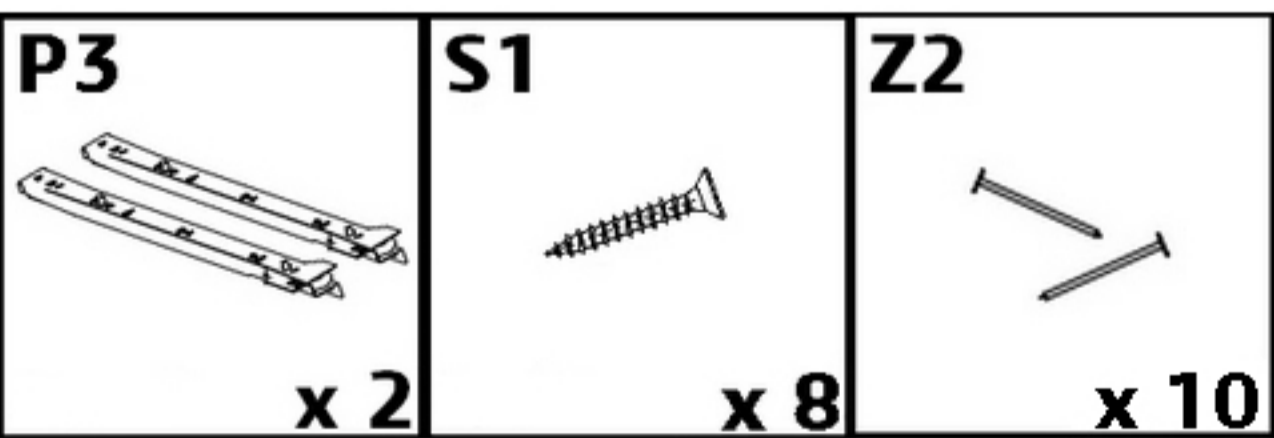
x 2



x 2



x 2



x 2

