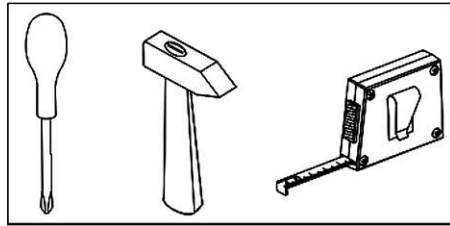
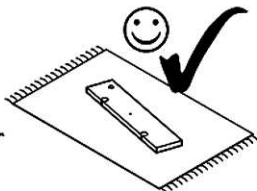
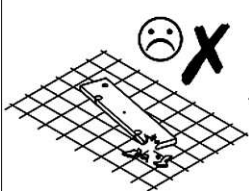
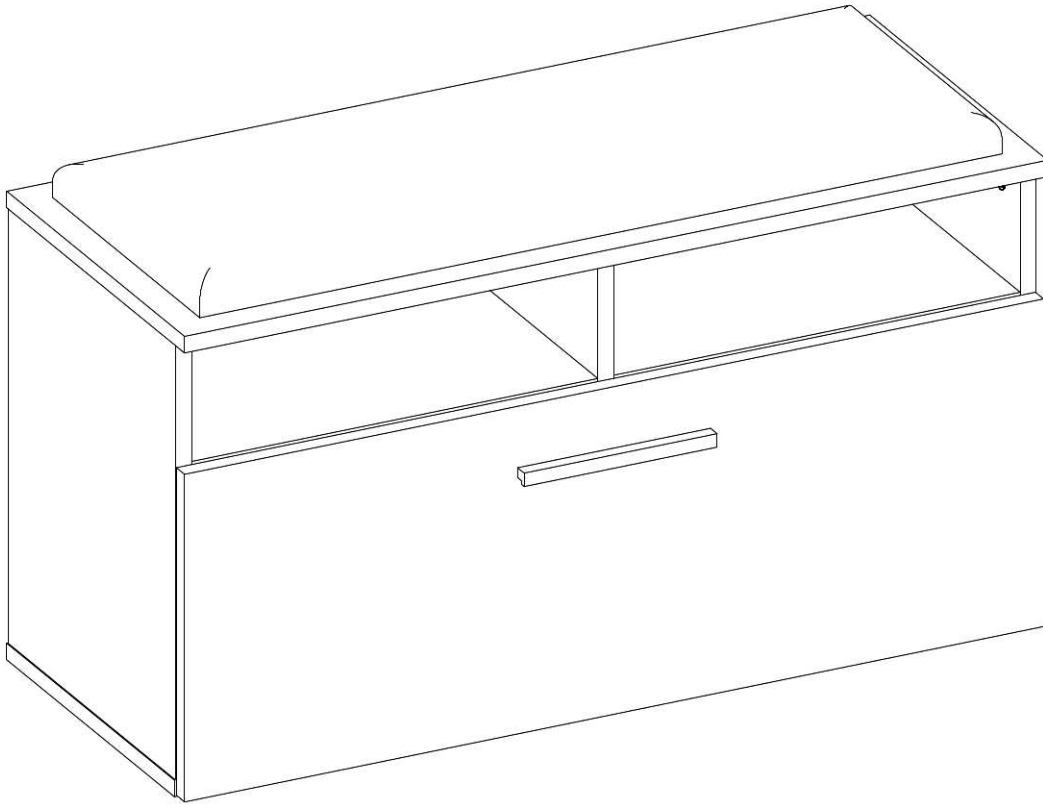
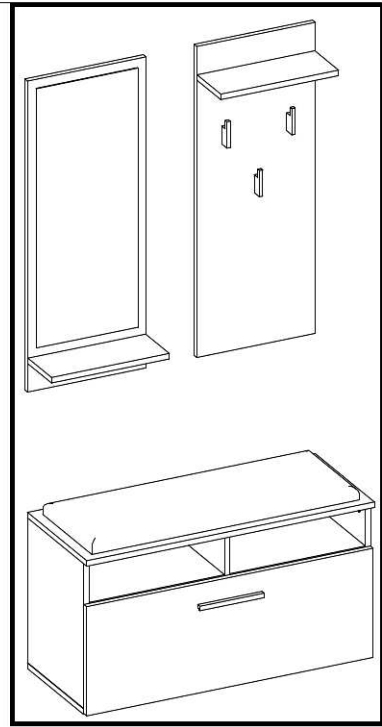







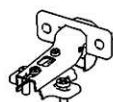

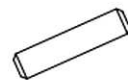






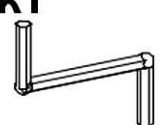




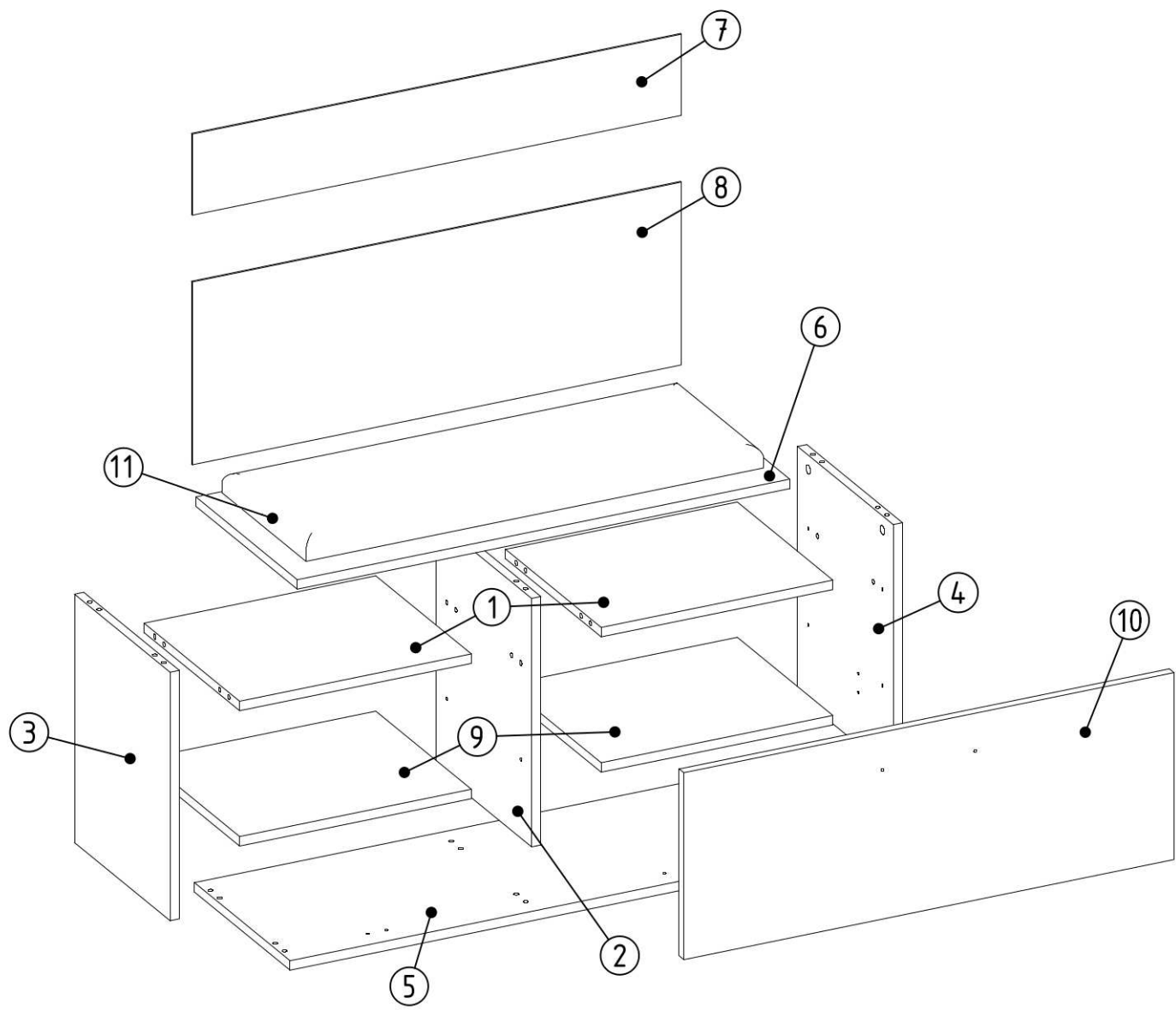


02.07.2020

RIVA S





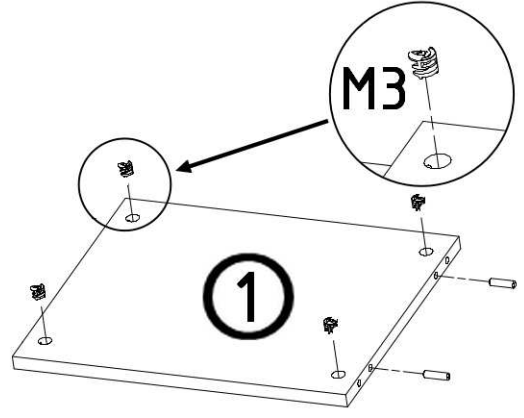
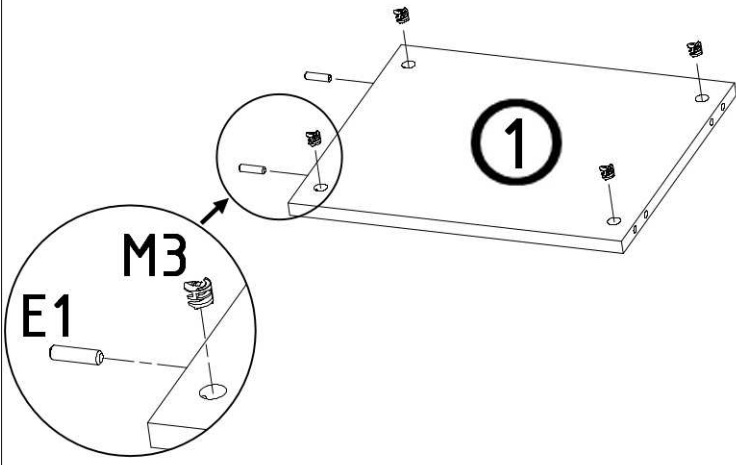
U3  x 1	S16  6x13 x 2	Z2  x 40	S6  4x30 x 4	N1  x 6			
N2  20,3 x 10	M3  x 14	A0  x 2	S1  3,5x16 x 6	E1  8x30 x 16	E3  8x50 x 2	S5  2,5x20 x 5	D2  x 8
N3  L=56 x 2	F2  x 6	Z4  x 5	K1  x 1	M2  x 6	V3  x 1	T1  x 6	S4  4x27 x 2






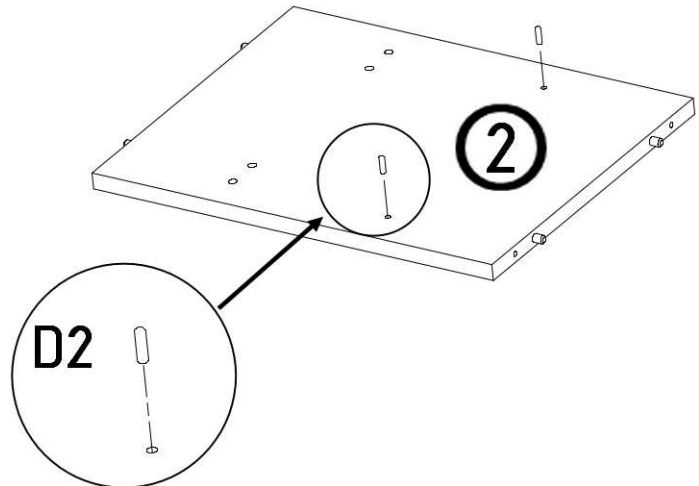
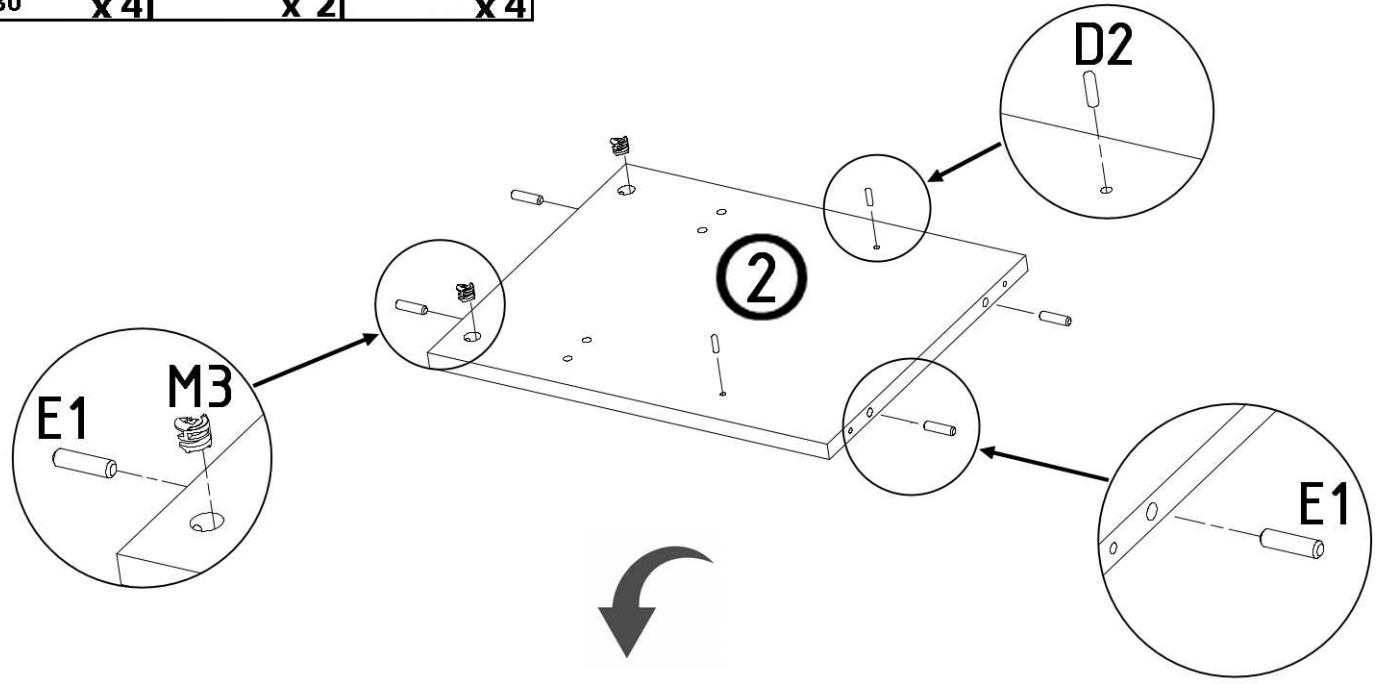
1	x 2
2	x 1
3	x 1
4	x 1
5	x 2

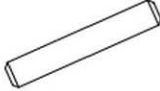

6	x 1
7	x 1
8	x 1
9	x 2
10	x 1
11	x 1

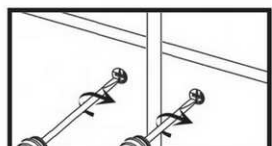
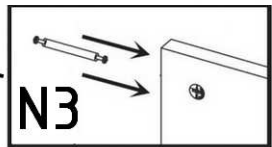
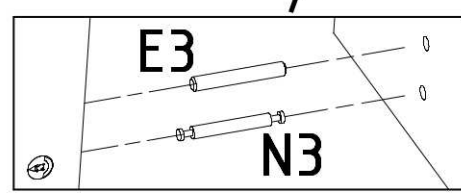
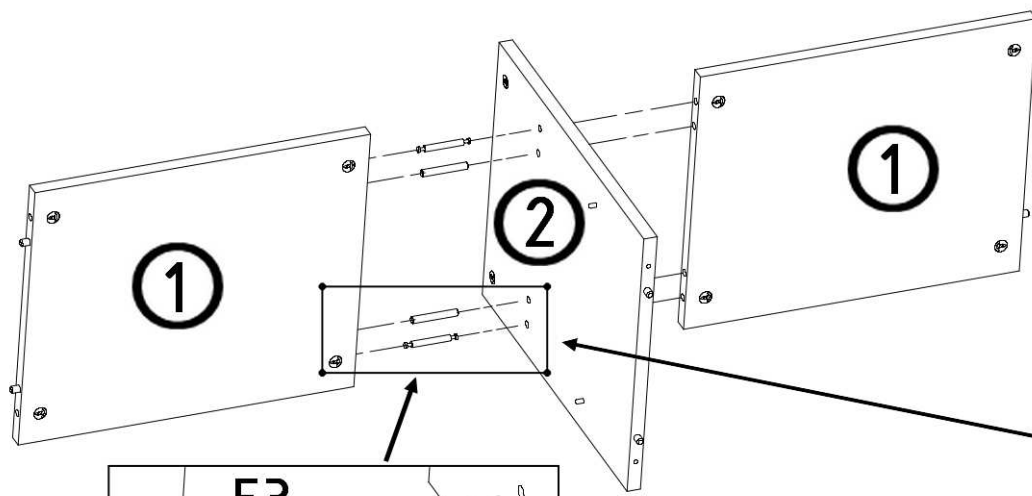
E1  8x30 x 4	M3  x 8
---	---







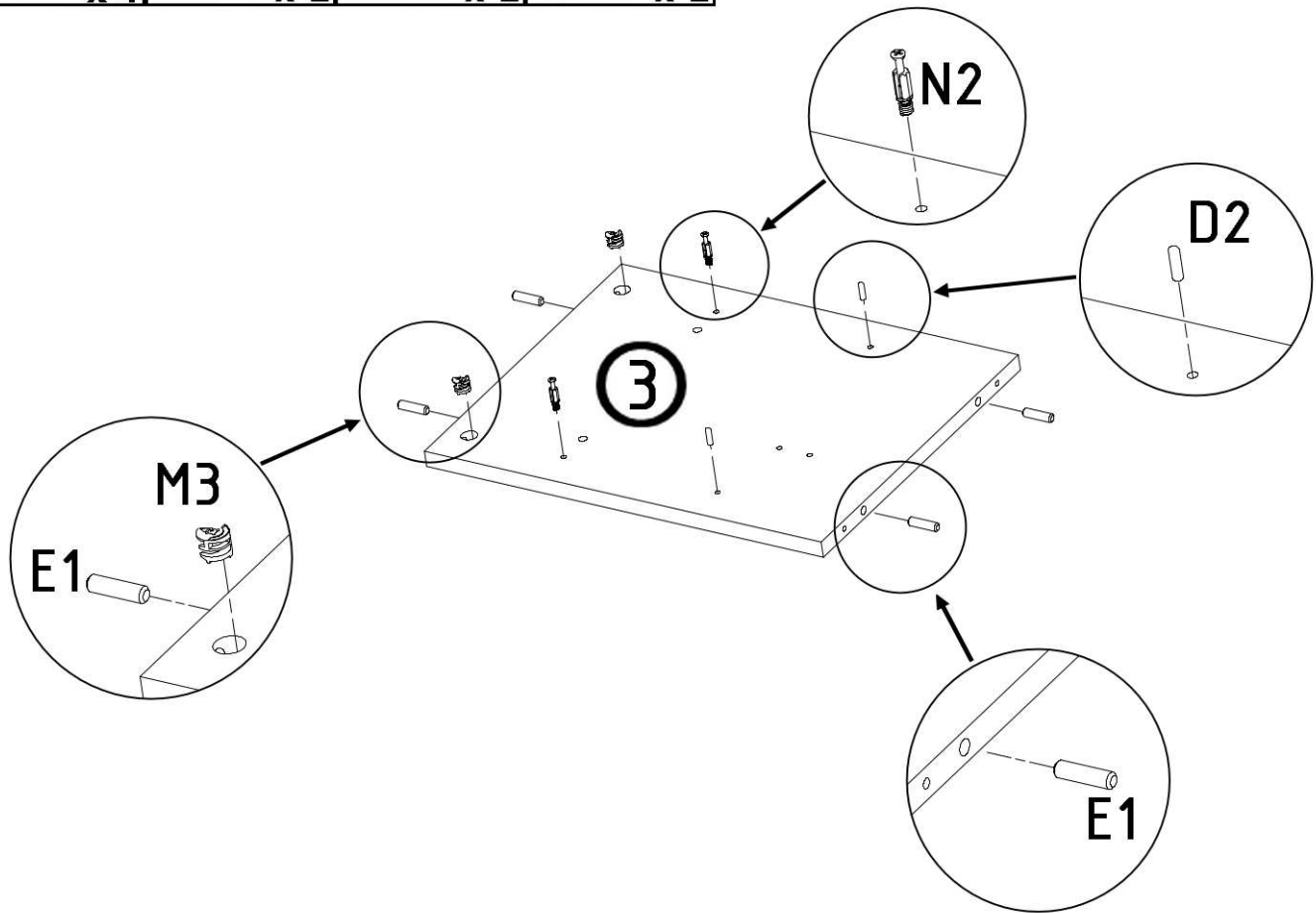
E1  8x30 x 4	M3  x 2	D2  x 4
---	---	---

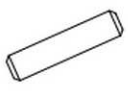





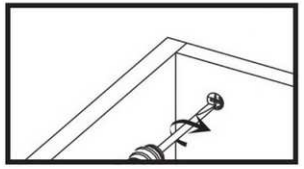
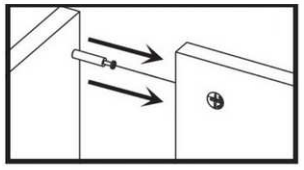
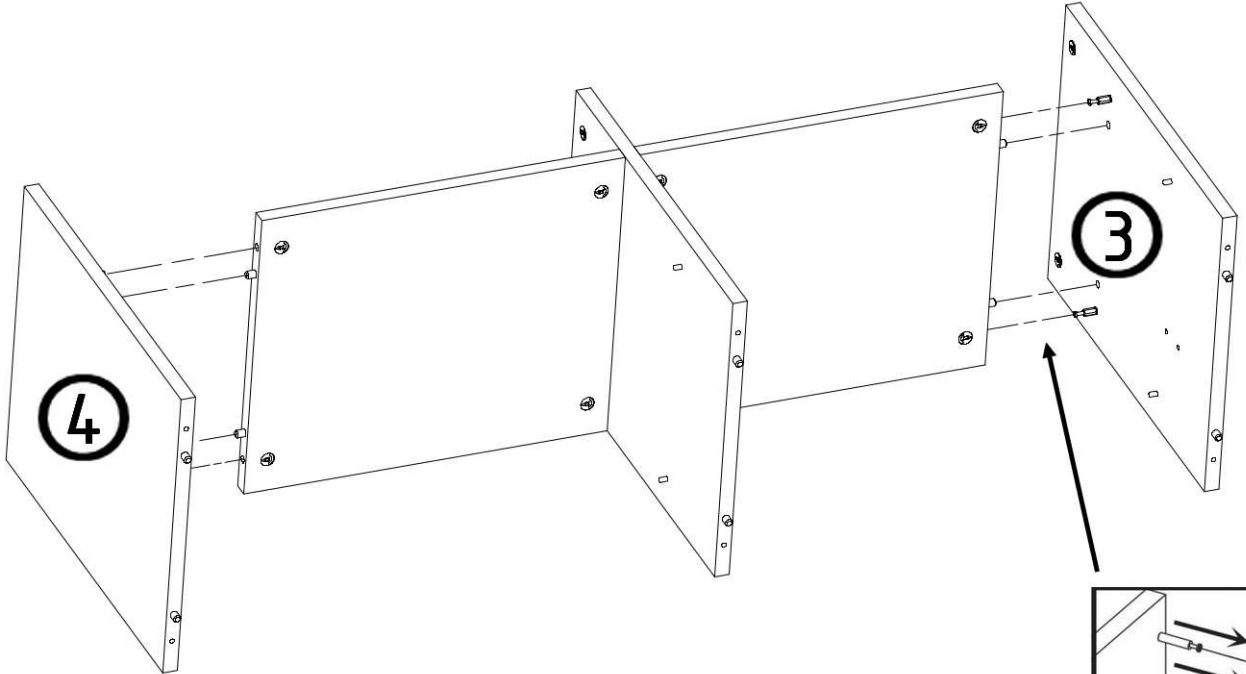
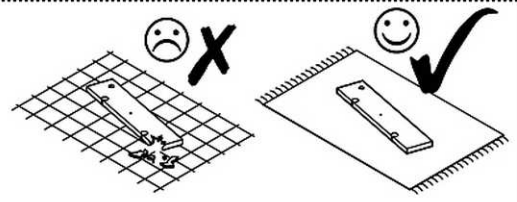
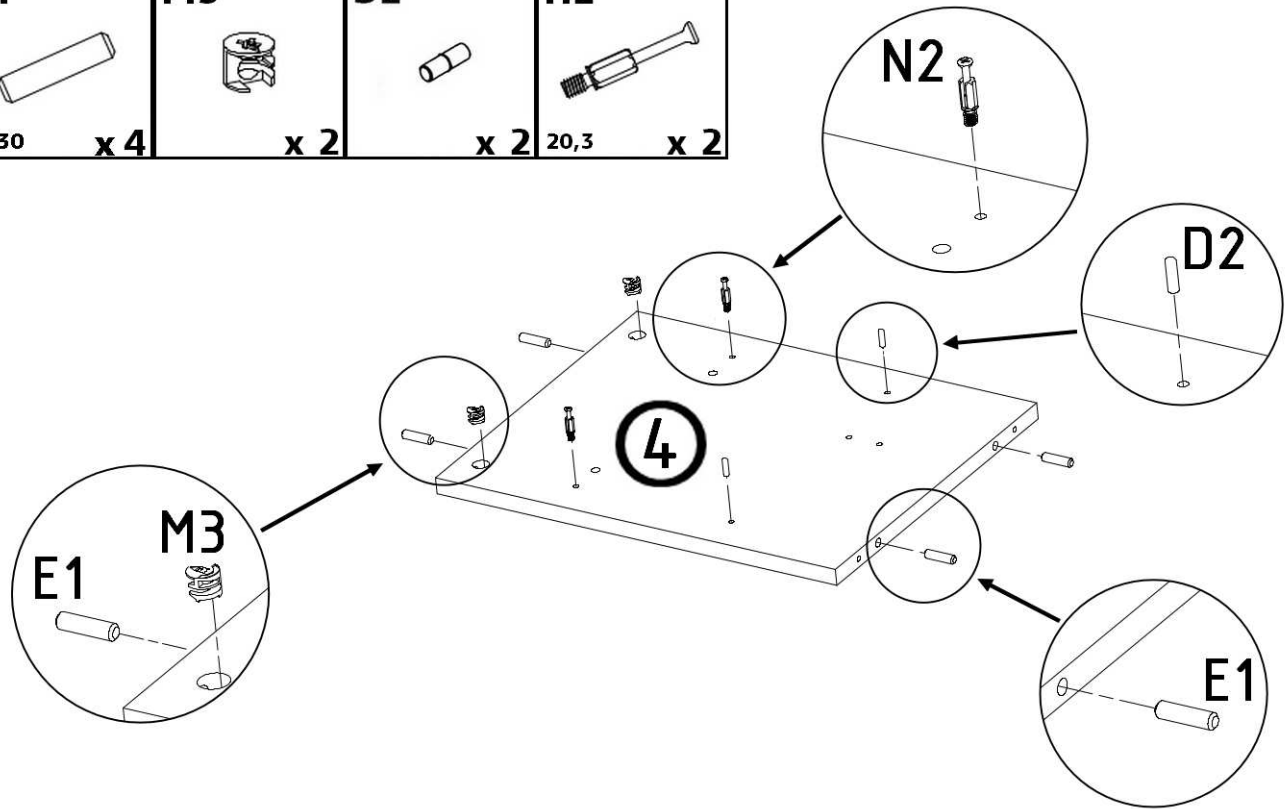
E3  8x50	N3  L=56
x 2	x 2



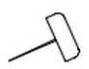
E1  8x30	M3  x 2	D2  x 2	N2  20,3
x 4	x 2	x 2	x 2

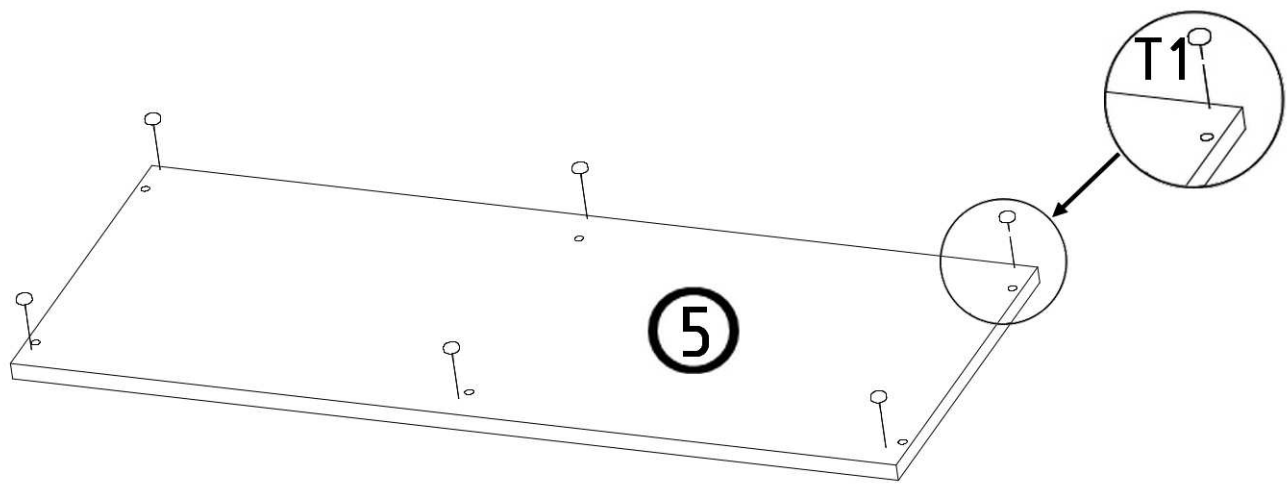



E1  8x30 x 4	M3  x 2	D2  x 2	N2  20,3 x 2
---	---	---	---

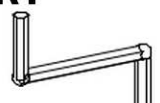


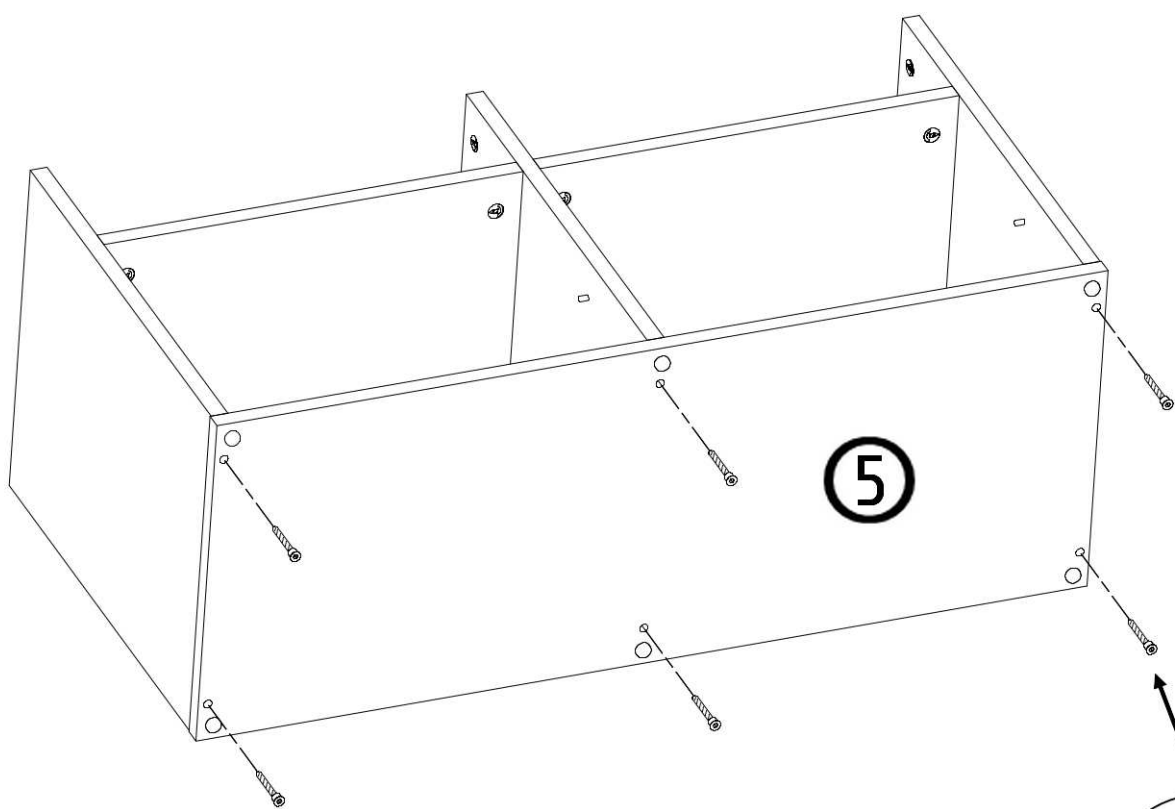
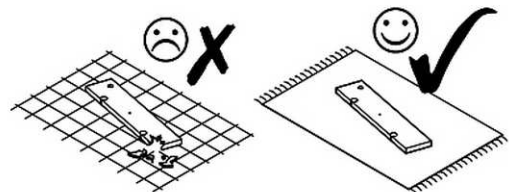
5

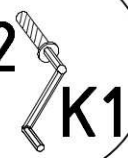
T1

x 6



F2

x 6

K1

x 1



F2

K1

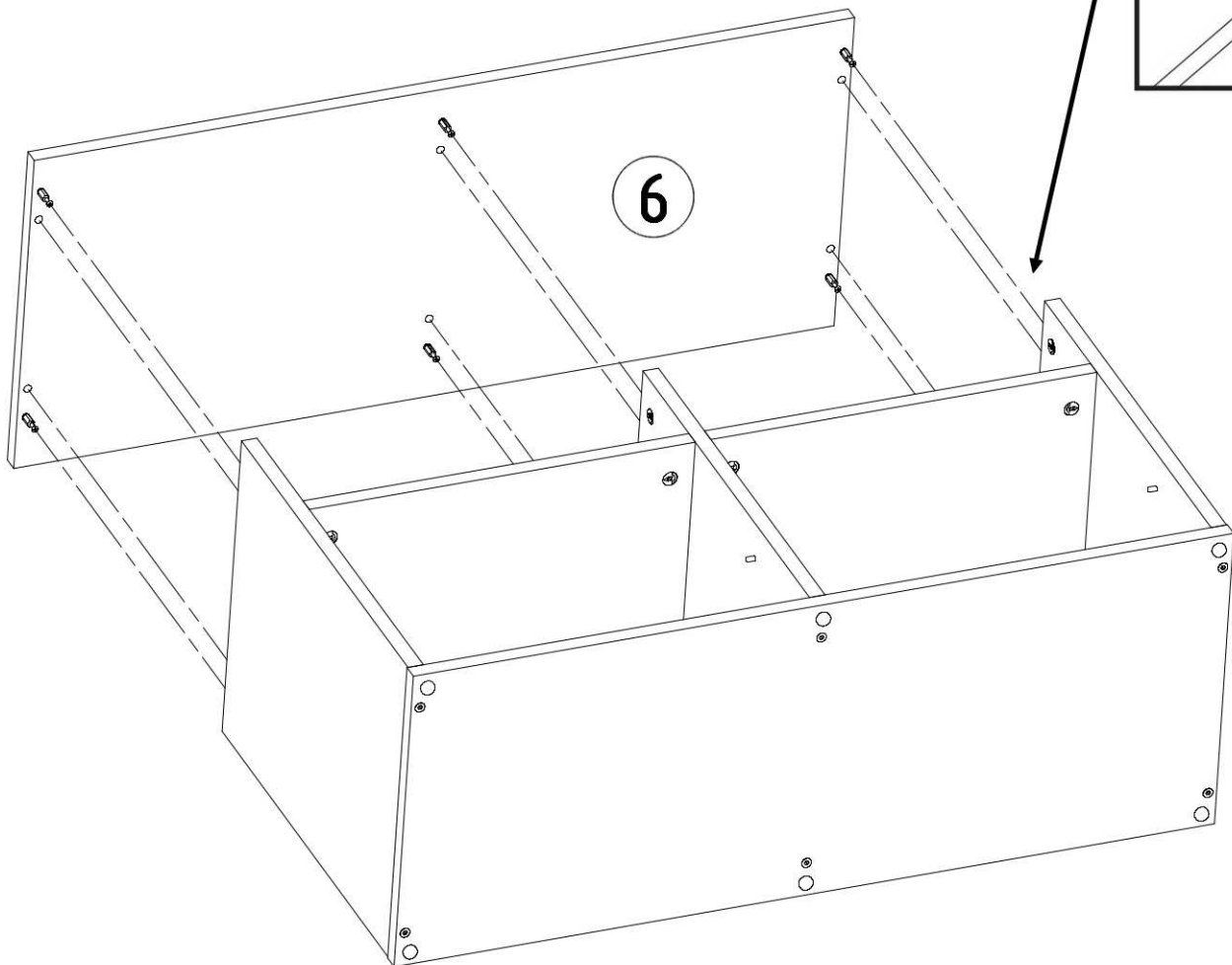
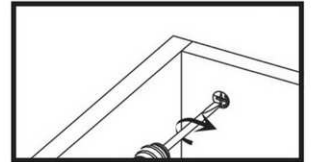
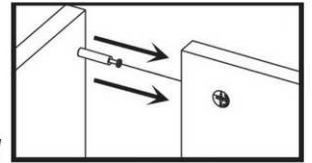
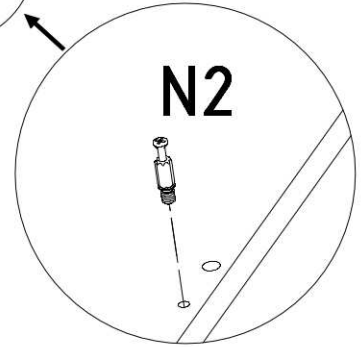
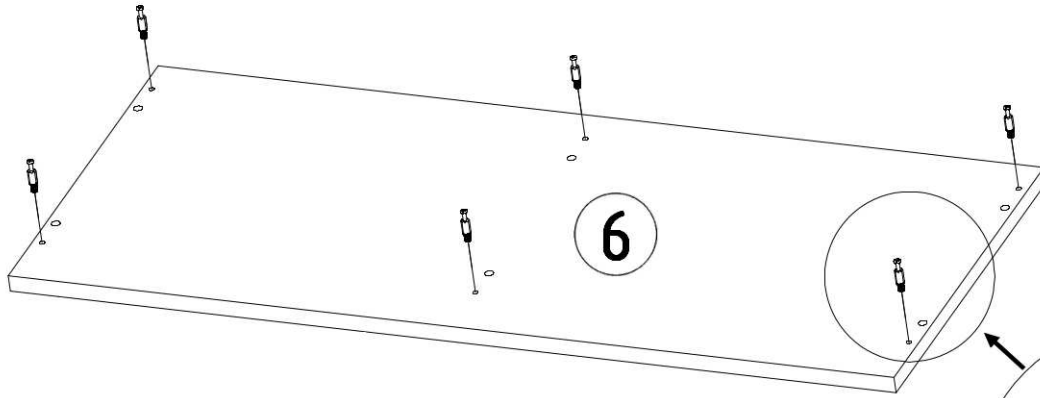
6




N2

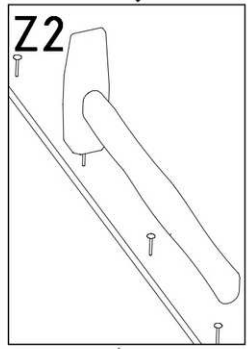
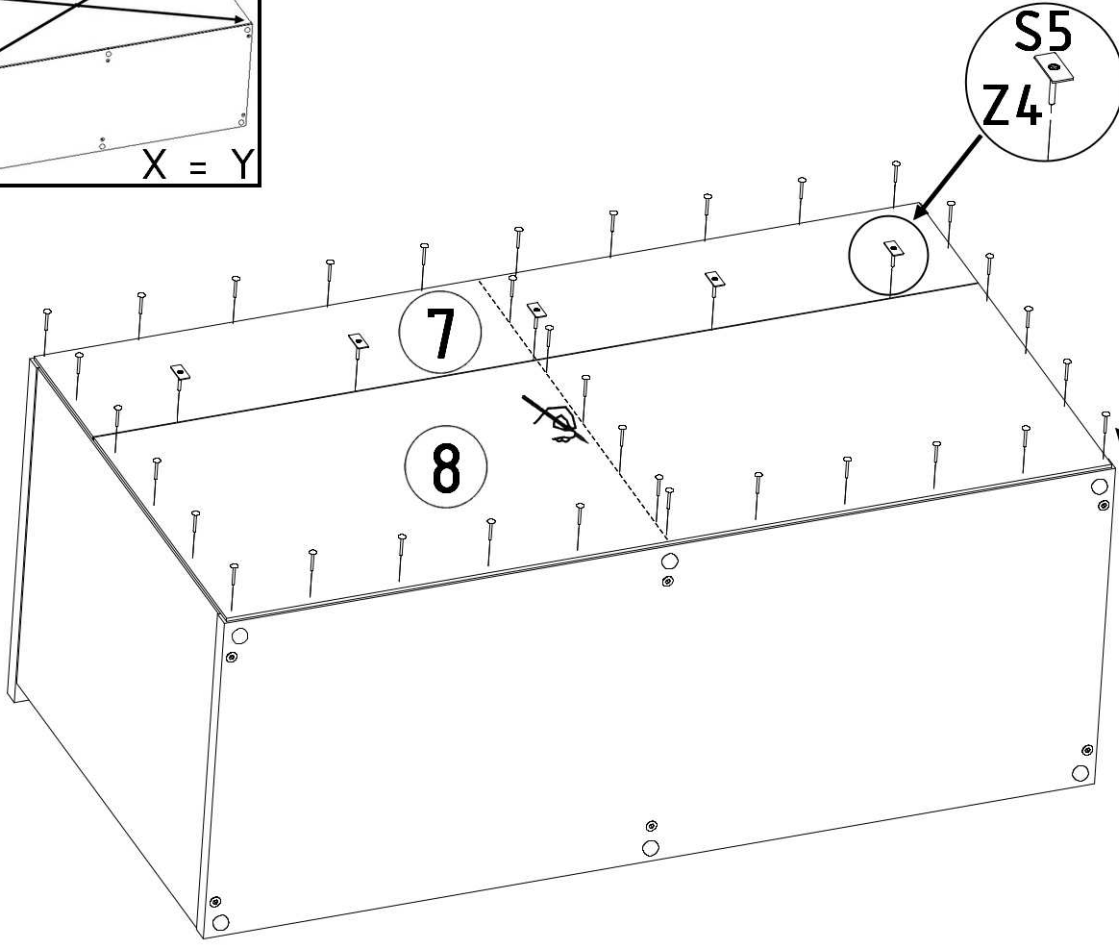
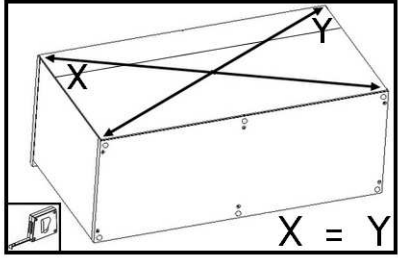
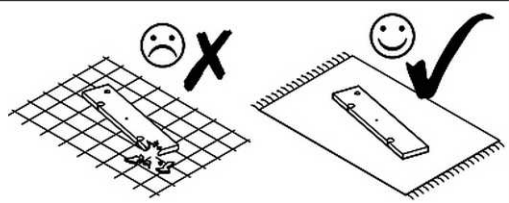



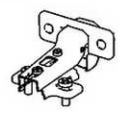


20,3

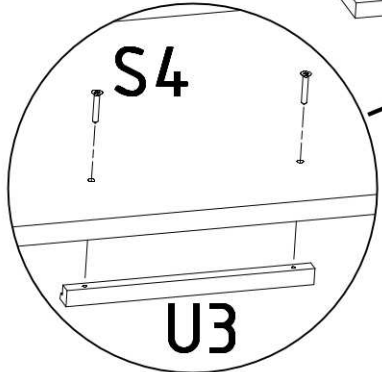
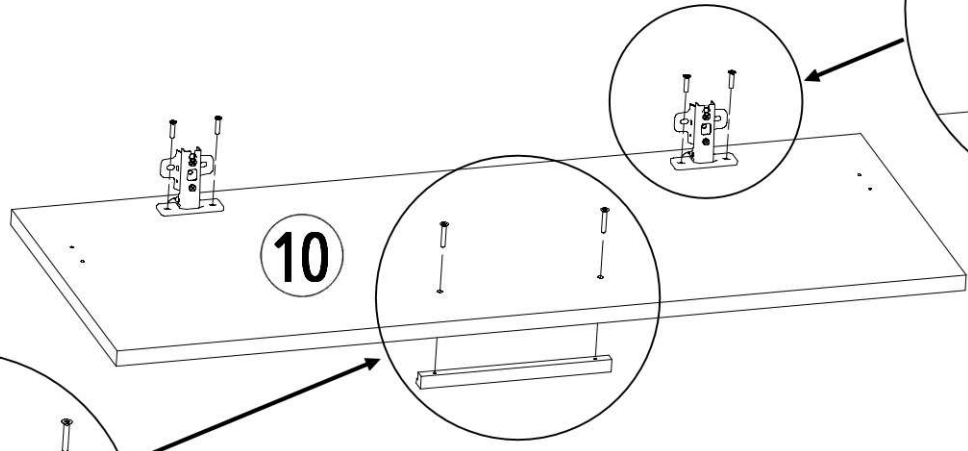
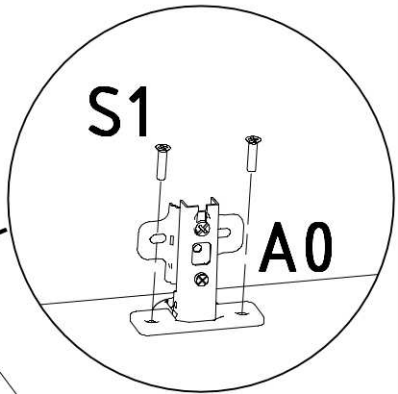
x 6

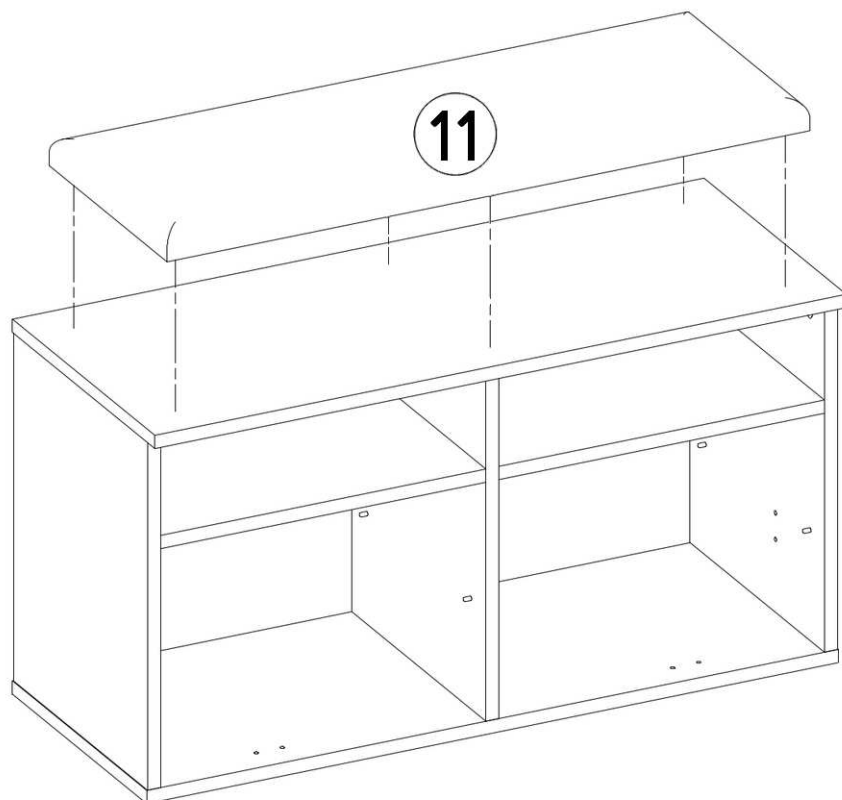
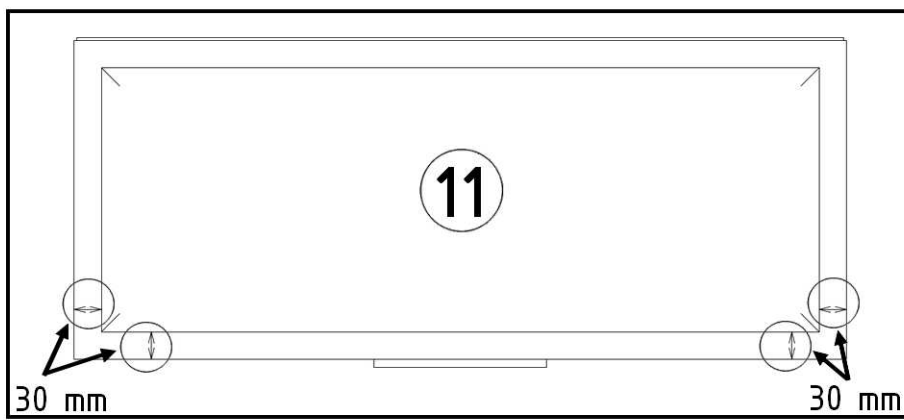
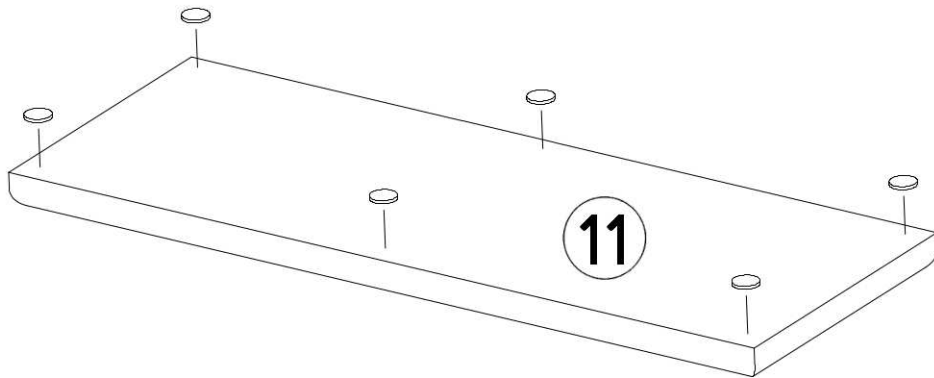
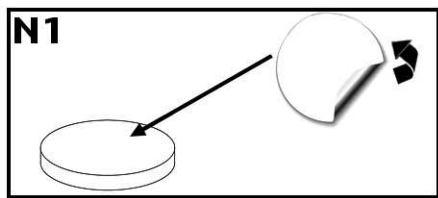
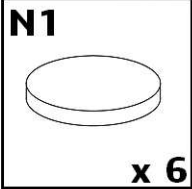





S5  2,5x20 x 5	Z4  x 5	Z2  x 40
---	---	--



S1  3,5x16 x 4	A0  x 2	U3  x 1	S4  4x27 x 2
---	---	---	--





V3 	S16 	S1 
x 1 6x13	x 2 3,5x16	x 2

