













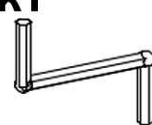




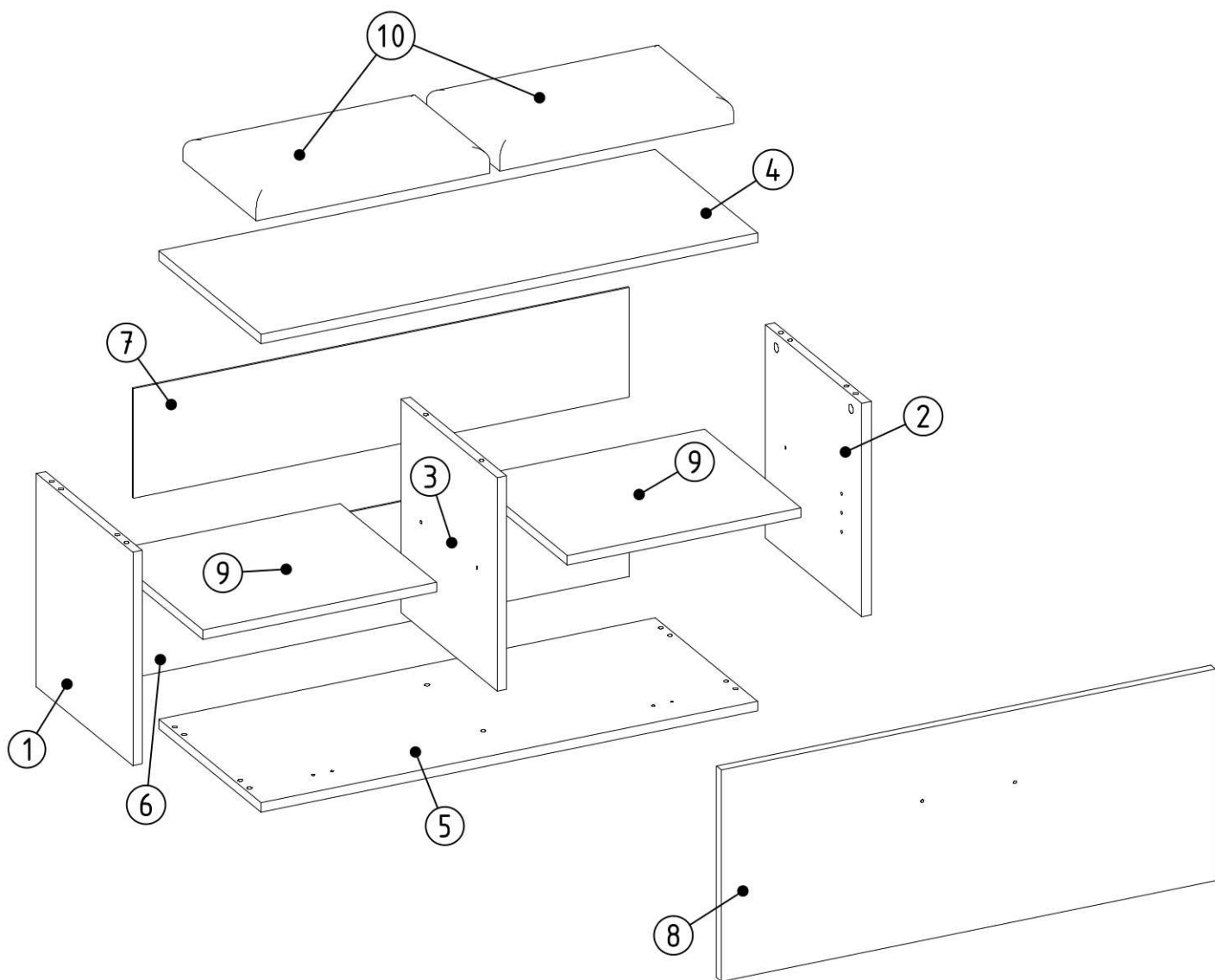





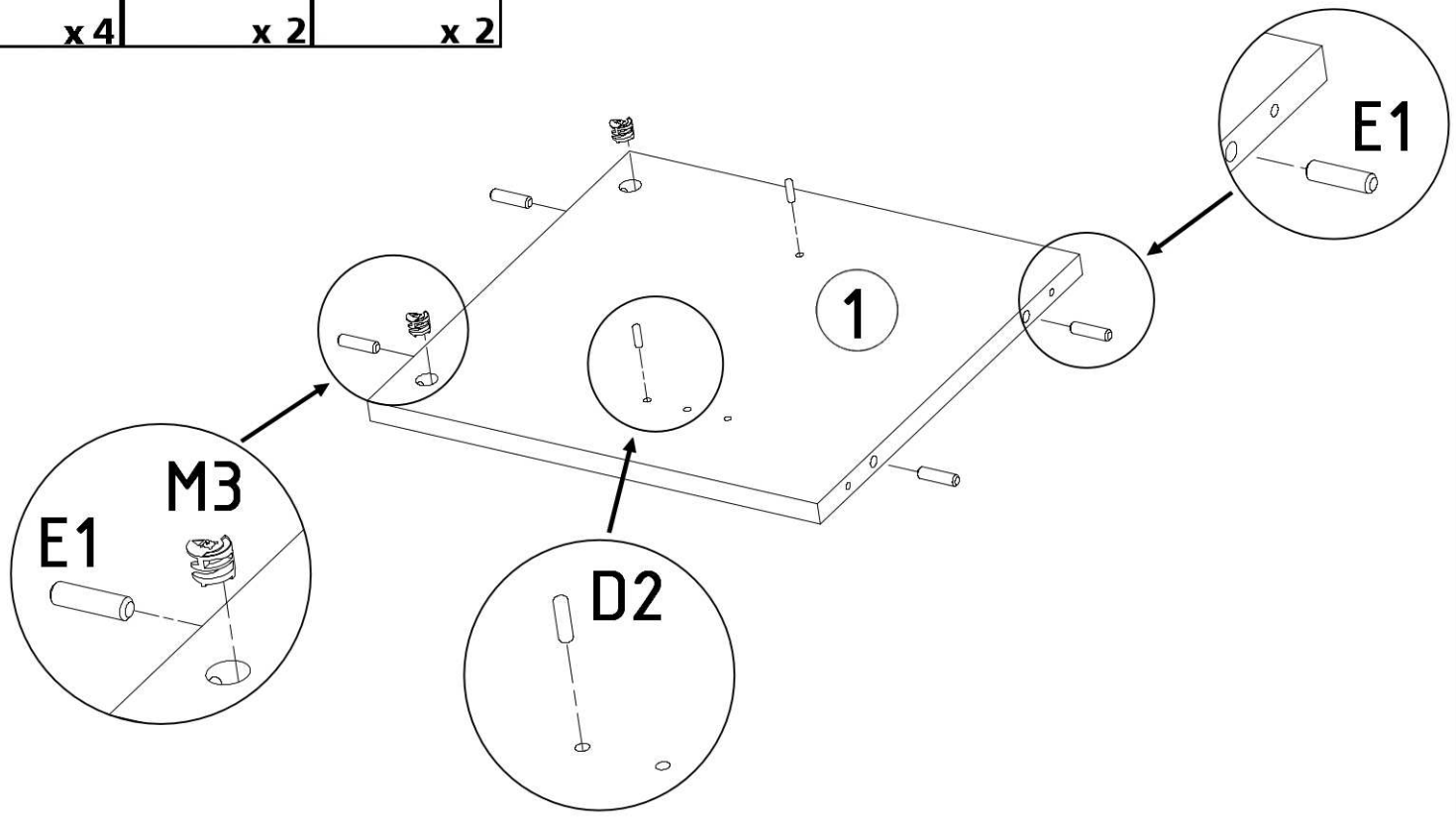
S16  6x13 x 4	N1  x 8	L9  L=844 x 2					
N2  20,3 x 4	M3  x 4	A0  x 2	S1  3,5x16 x 8	E1  8x30 x 12	 GLUE x 1	S6  4x25 x 2	D2  x 8
T2  x 5	F2  x 4	U4  x 1	K1  x 1	M2  x 4	V3  x 2	Z2  x 40	S4  4x30 x 10






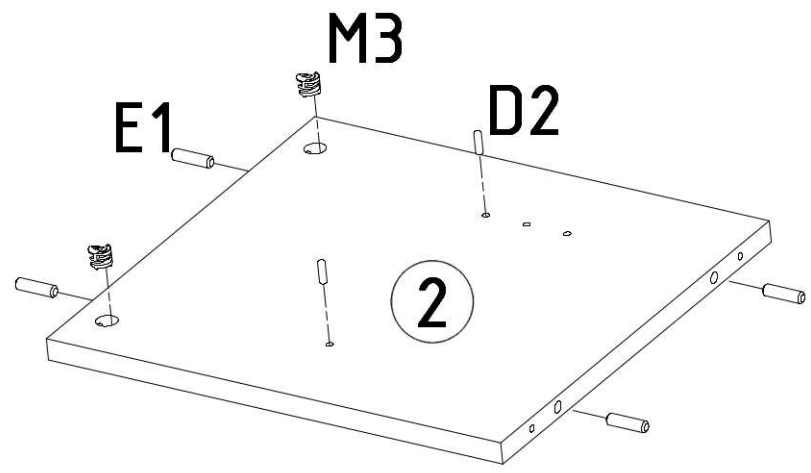
1	x	1
2	x	1
3	x	1
4	x	1
5	x	1

6	x	1
7	x	1
8	x	1
9	x	2

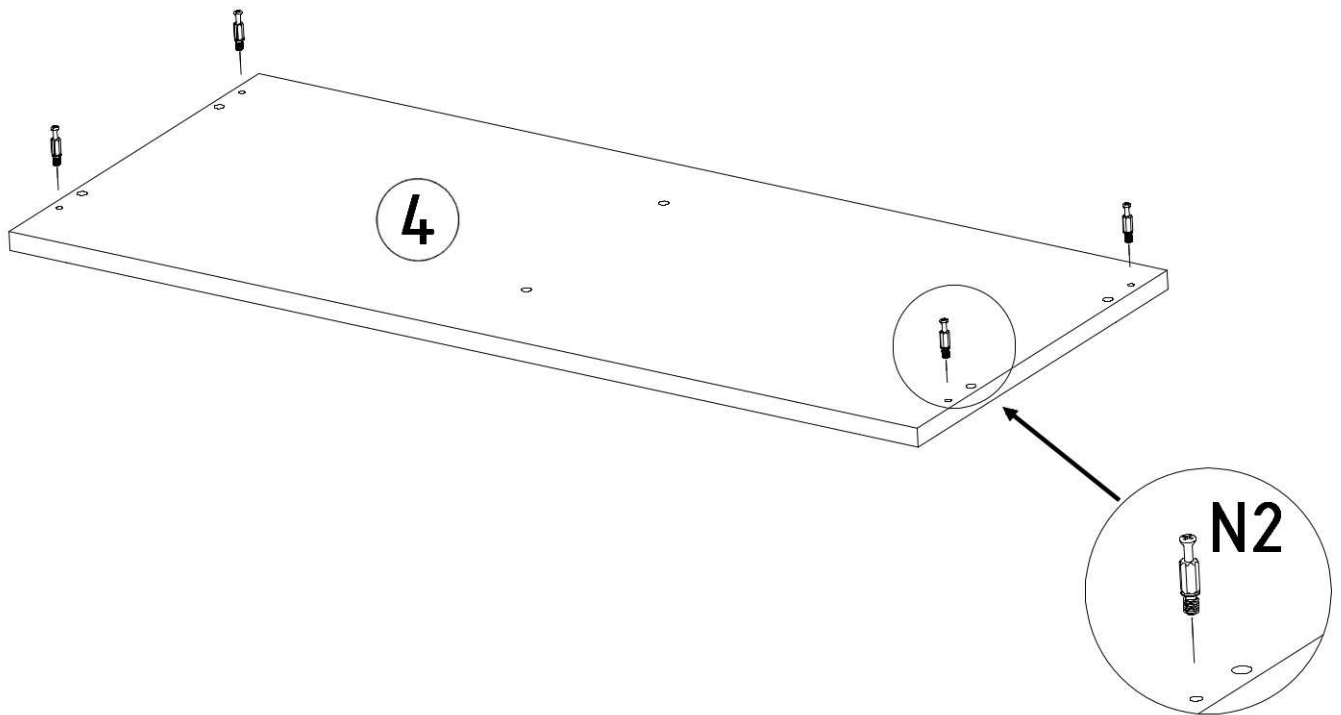
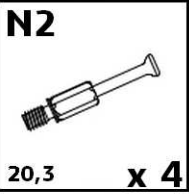
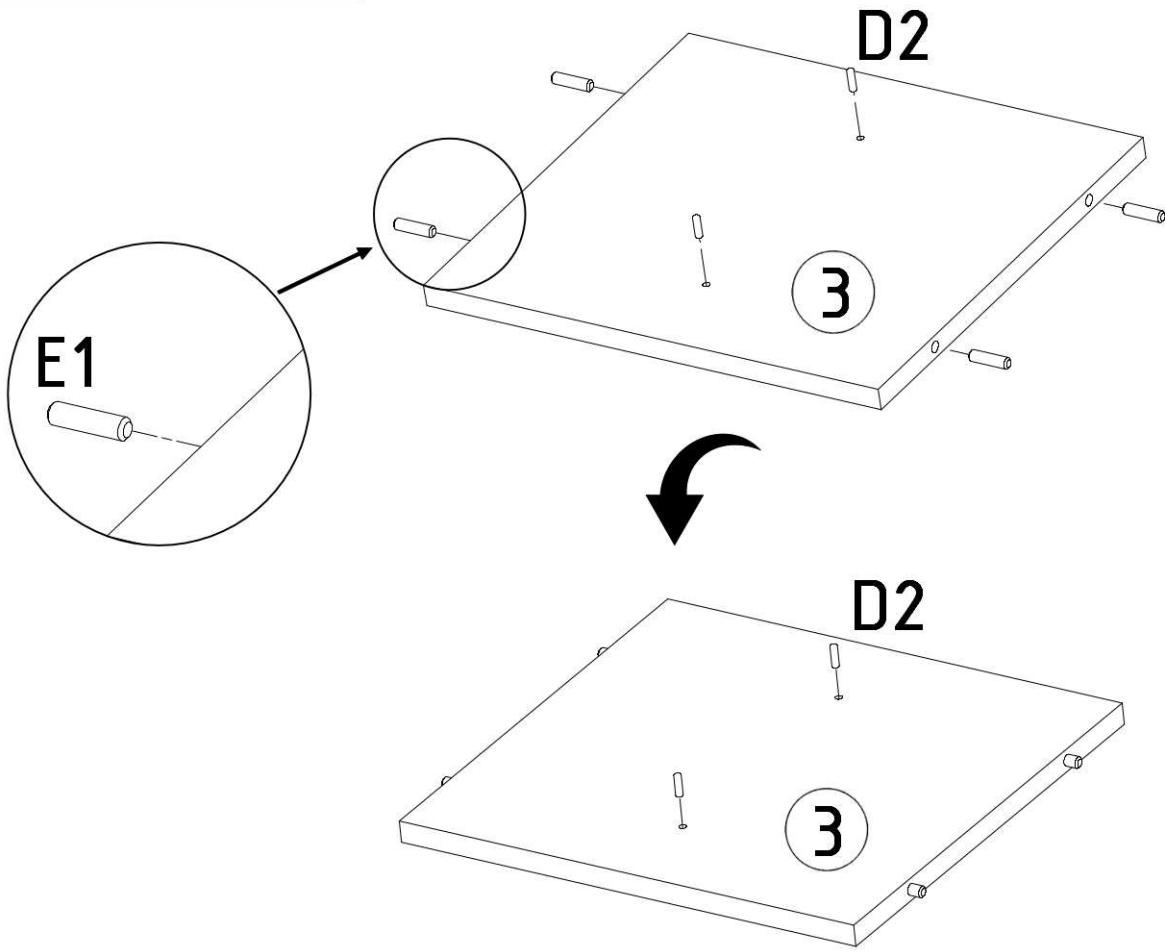
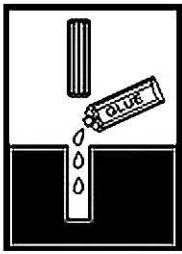
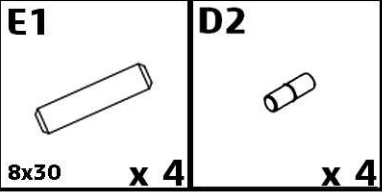
E1  8x30 x 4	M3  x 2	D2  x 2
---	---	---



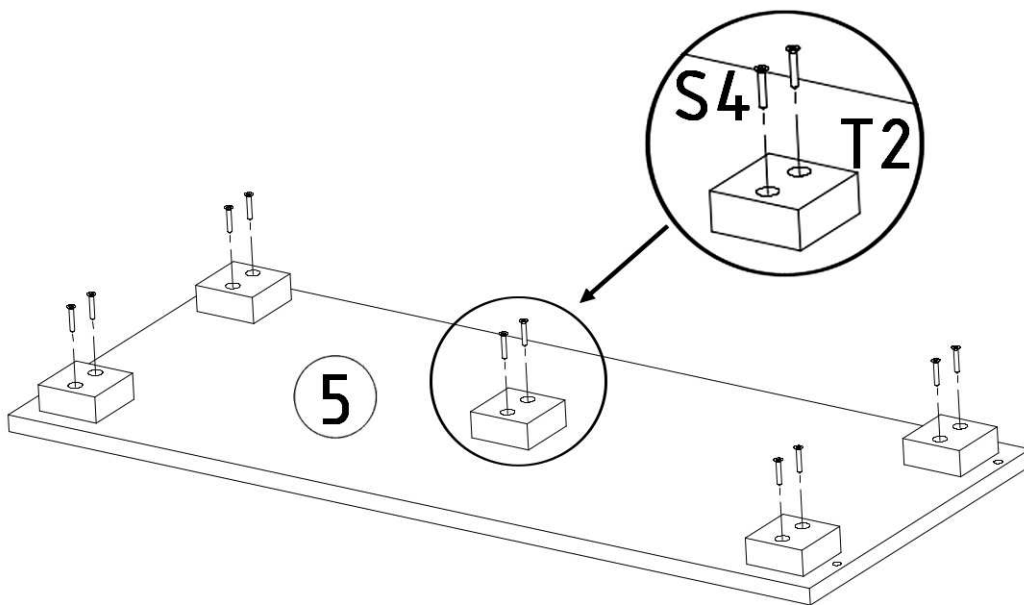
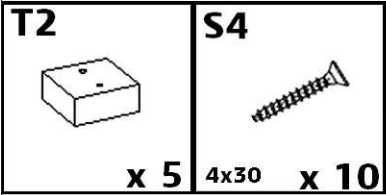
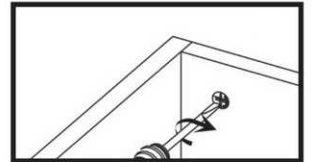
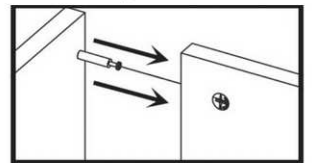
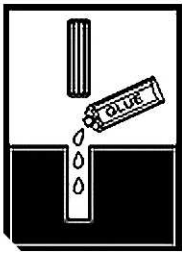
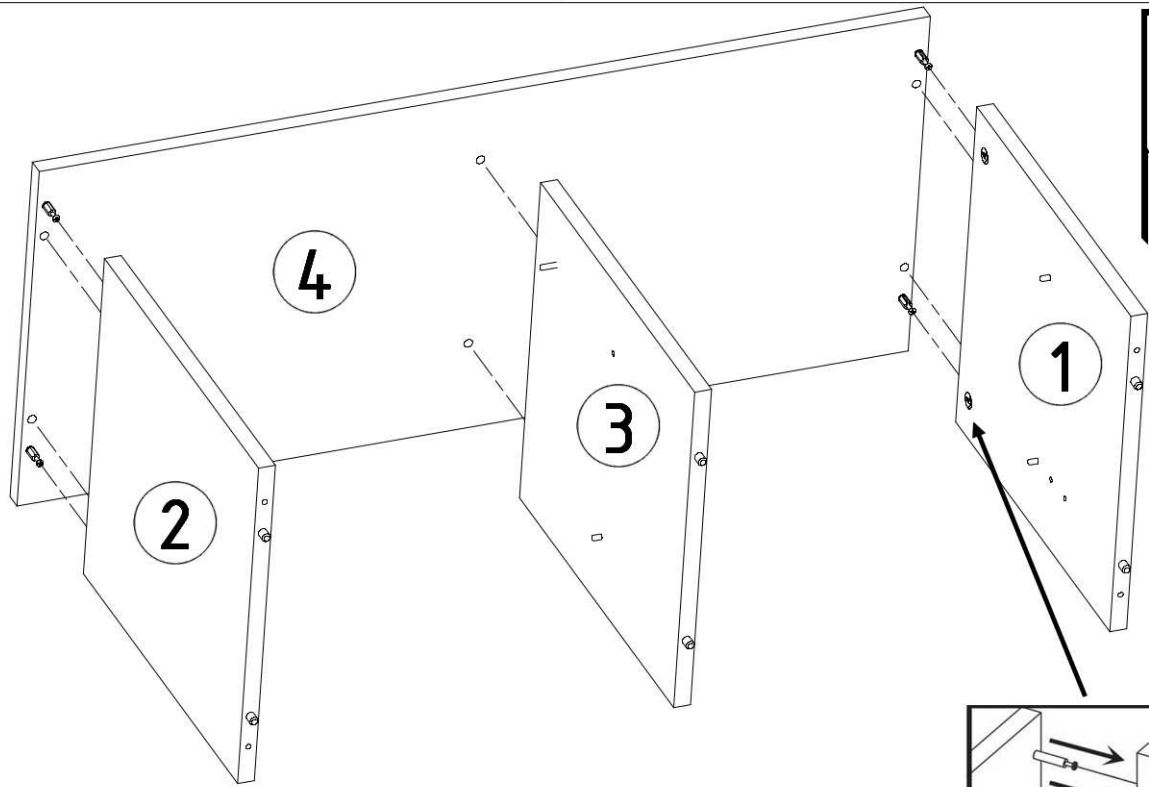
E1  8x30 x 4	M3  x 2	D2  x 2
---	---	---

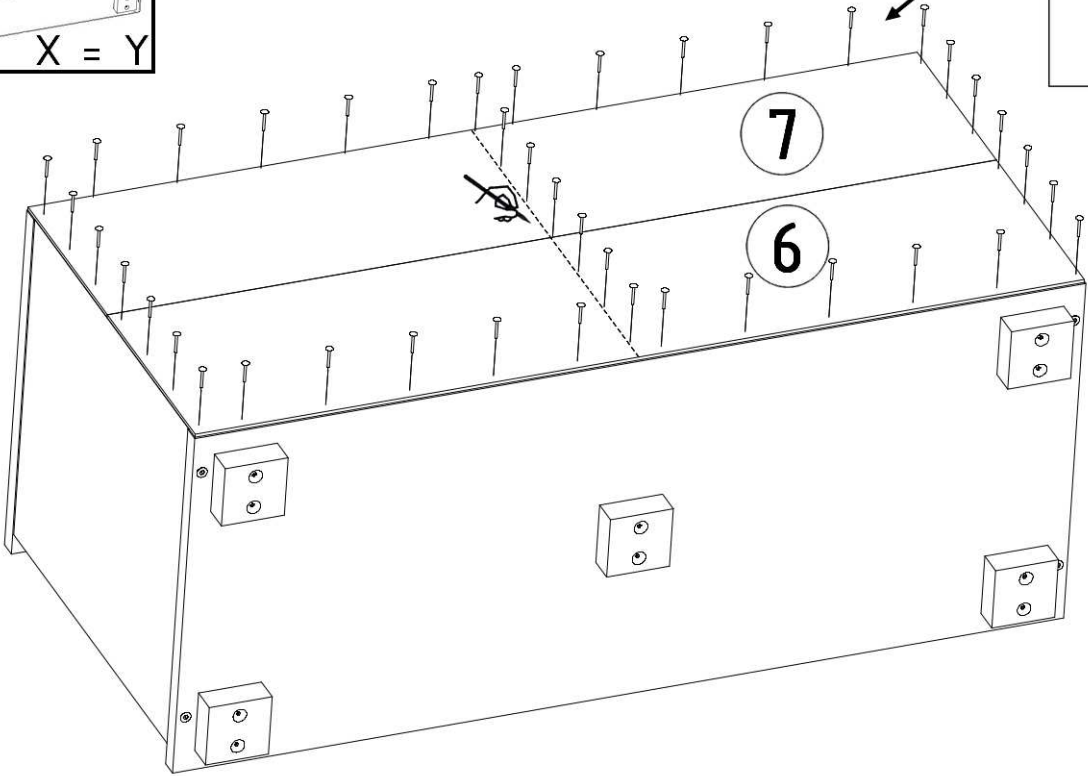
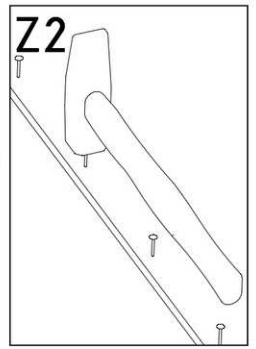
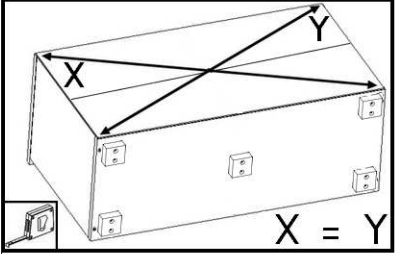
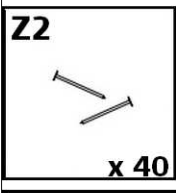
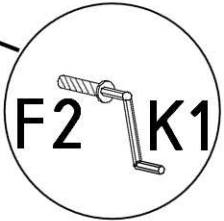
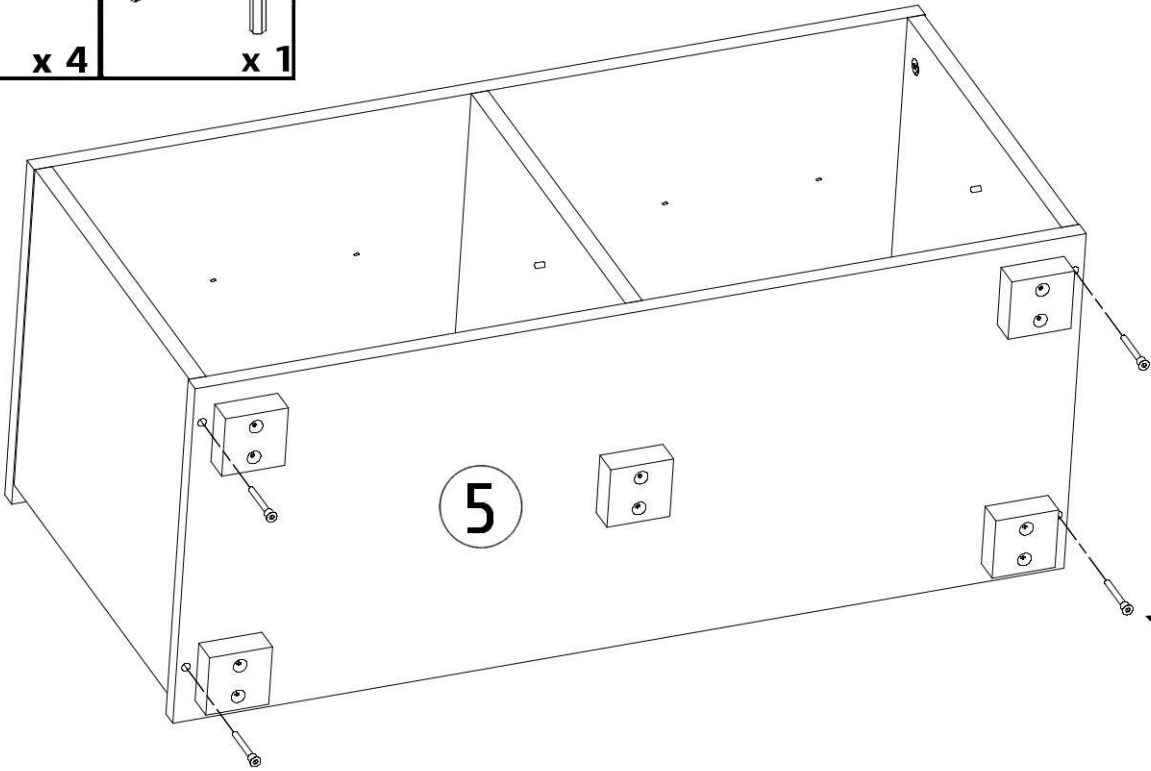
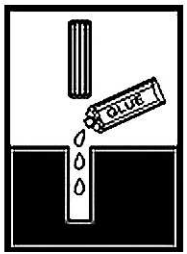
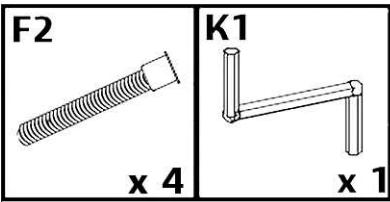






3

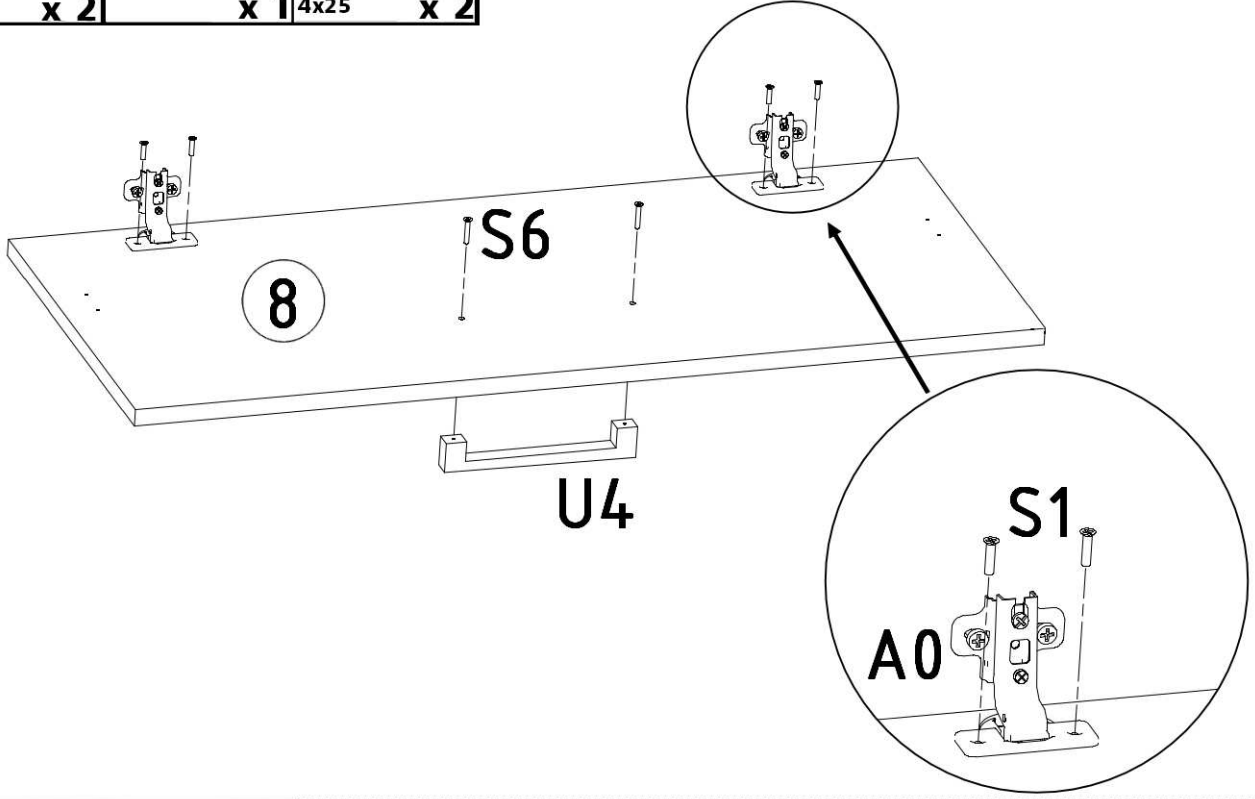





4





S1  3,5x16 x 4	A0  x 2	U4  x 1	S6  4x25 x 2
---	---	---	--



V3  x 2	S16  6x13 x 4	S1  3,5x16 x 4
--	---	--

