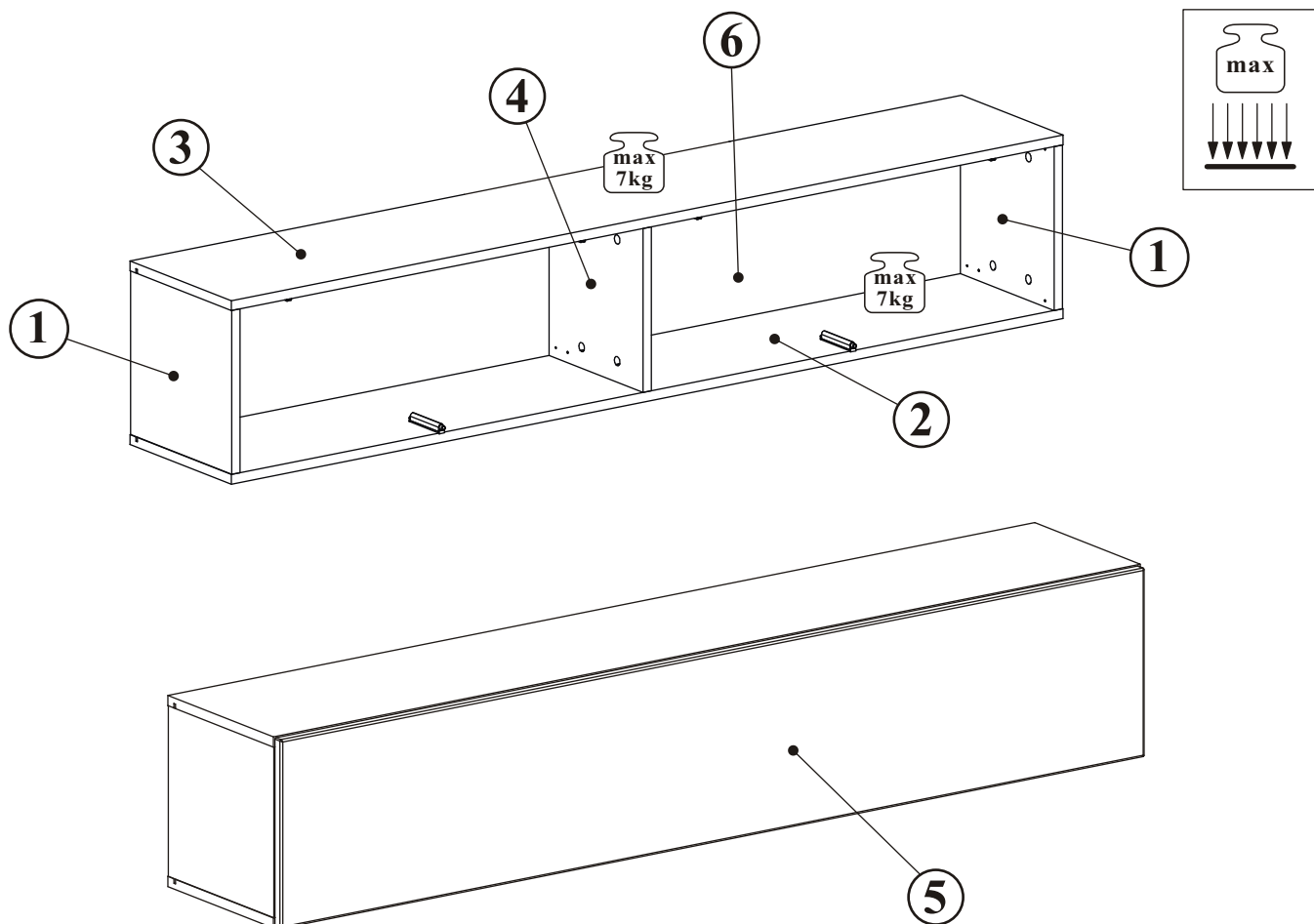
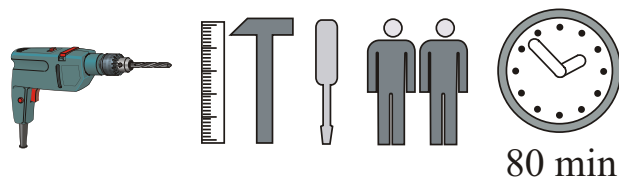


FLY 28 -- FY 50B-C

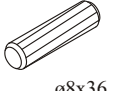
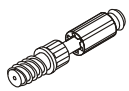


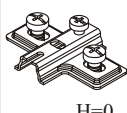
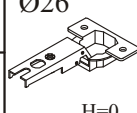

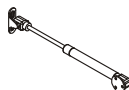
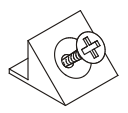
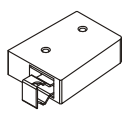







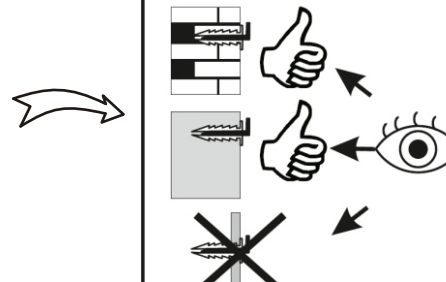
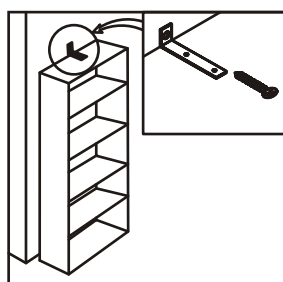
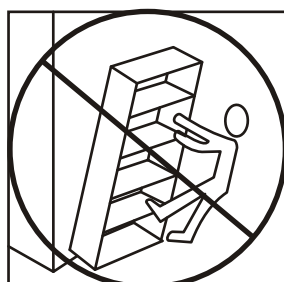
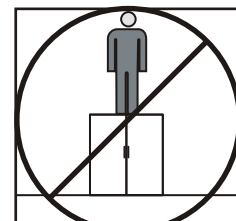
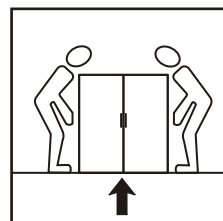
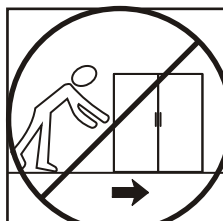
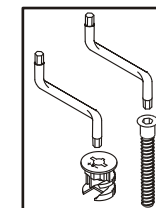
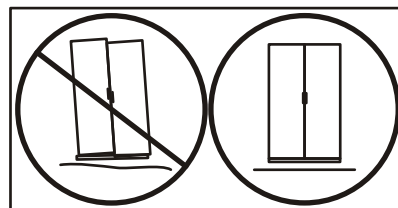
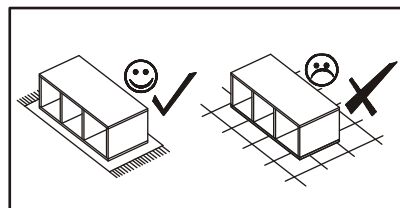
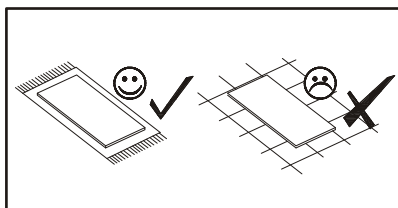
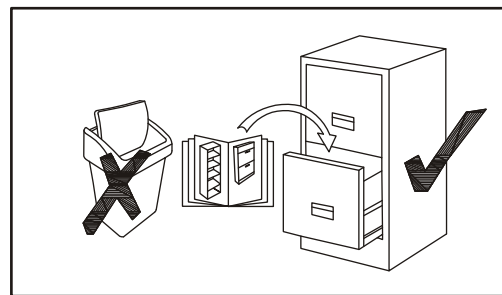
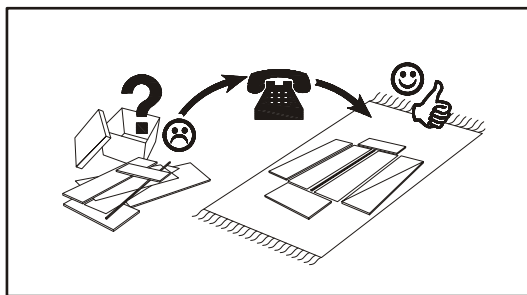
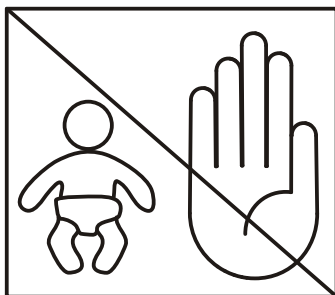
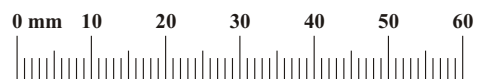
NO	Dim.		Col.-No	Qty
1	268	274	1	2
2	1602	274	1	1
3	1602	274	1	1
4	268	254	1	1
6	1580	280	1	1
5	1596	296	1	1



80 min

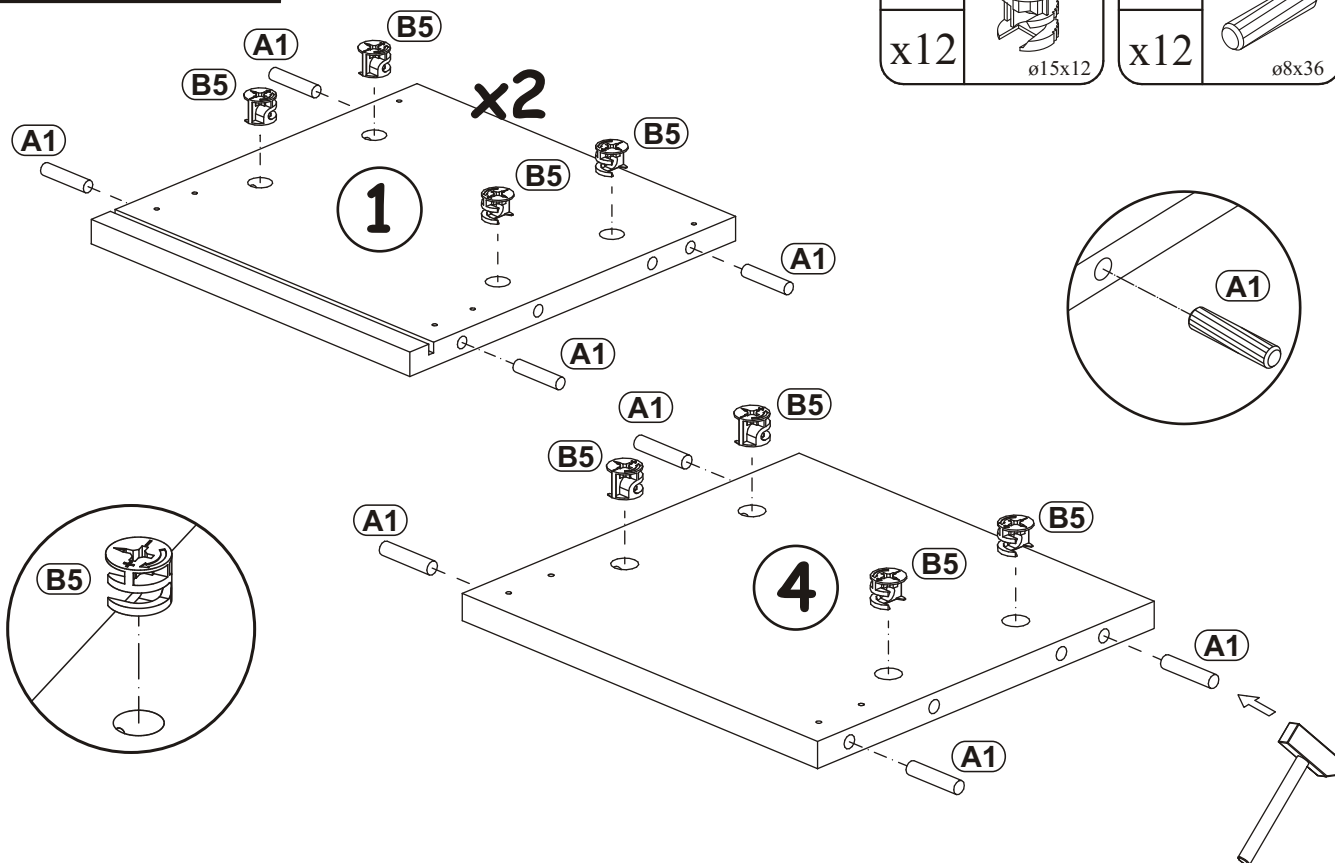
FLY 28--FY 50B-C

A1 x12  ø8x36	B4 x12 	B5 x12  ø15x12	G5 x12 	E2 x4  H=0	E1 x4  Ø26 H=0
T1 x2 	BO1 x2 	S1 x12 	ZR1 x3 	D6 x6  USØ3,5x30	D10 x22  USØ3,5x13
UP13 x2  UPØ3x16	G2 x1 	KR2 x3 			

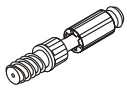
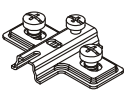


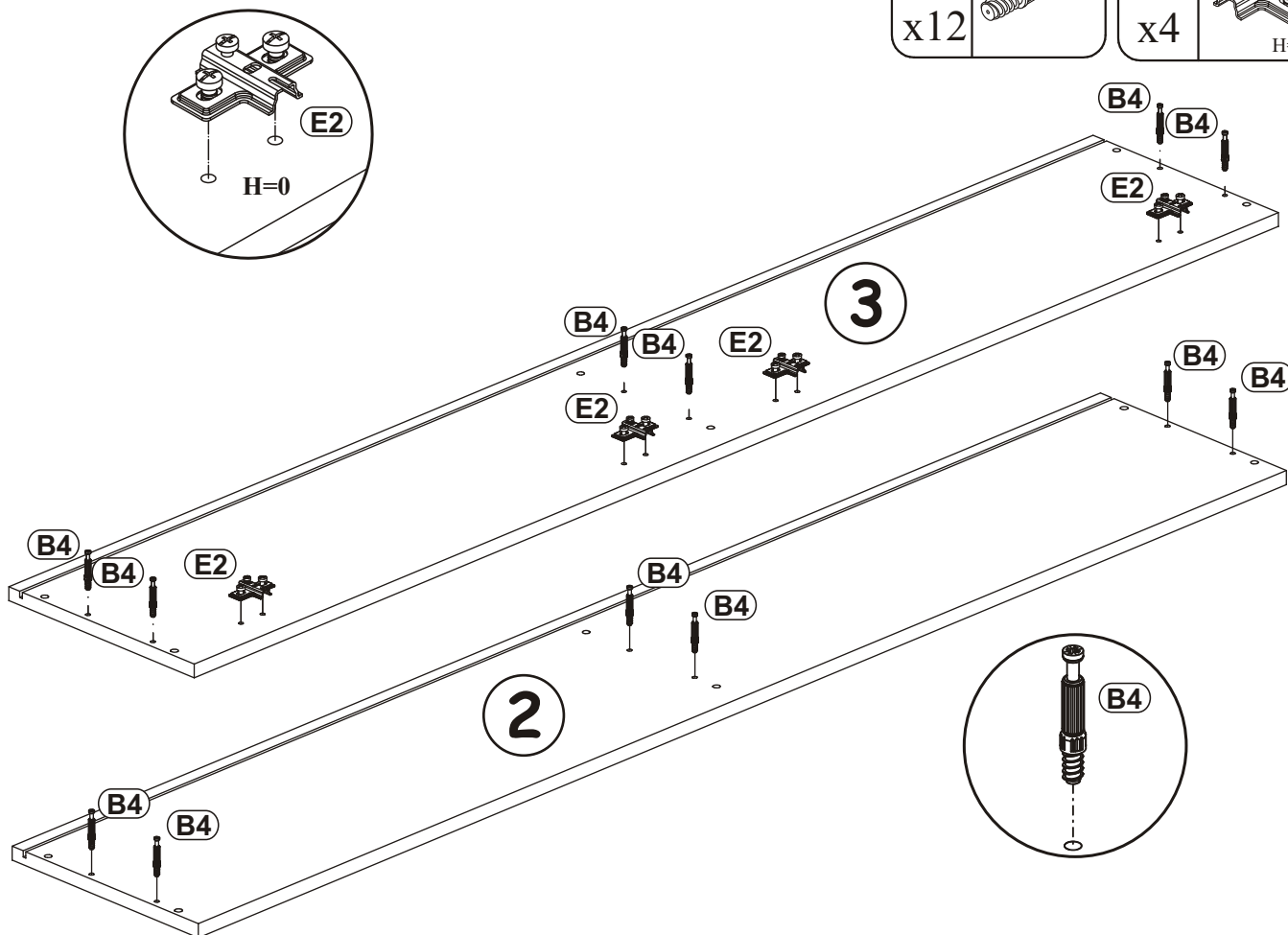
B5		A1	
x12	ø15x12	x12	ø8x36

1

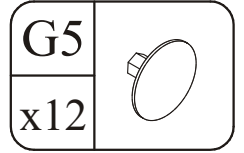


2

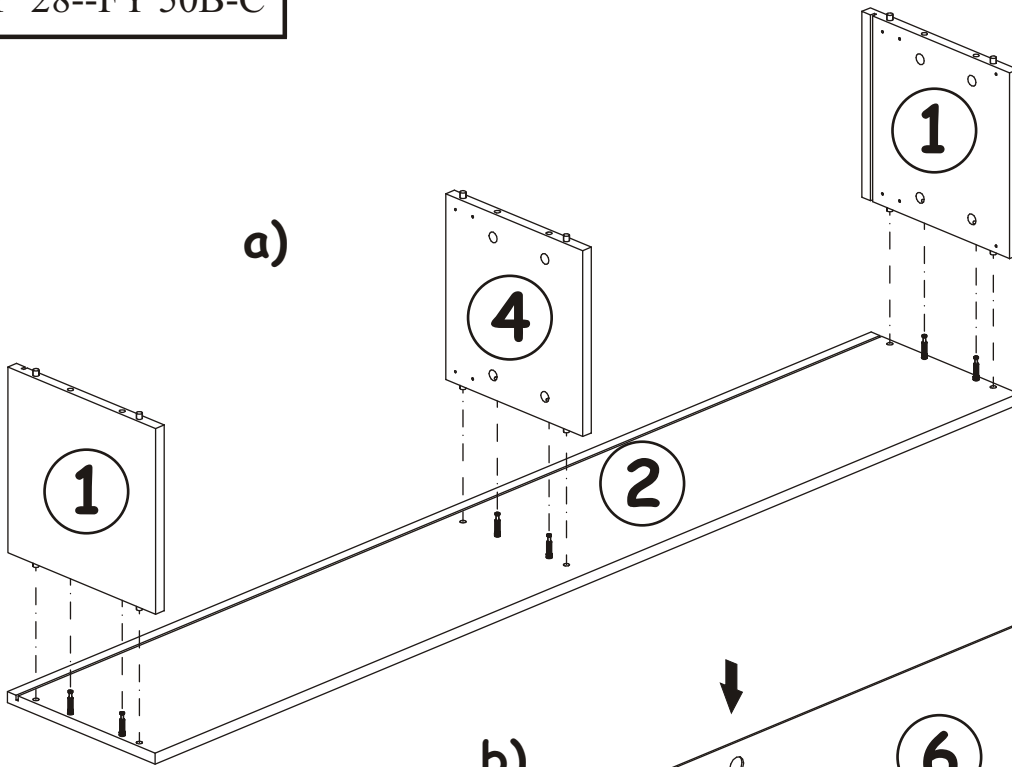
B4		E2	
x12		x4	H=0



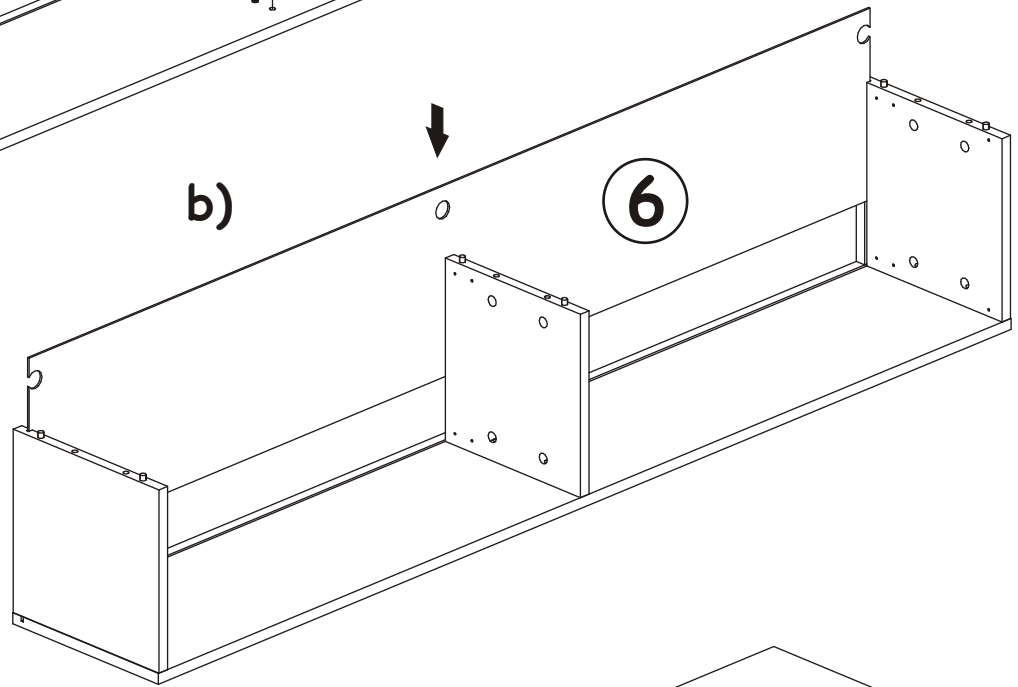
3



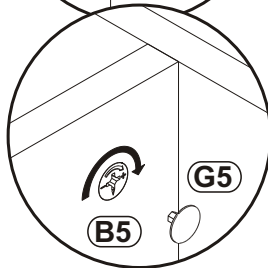
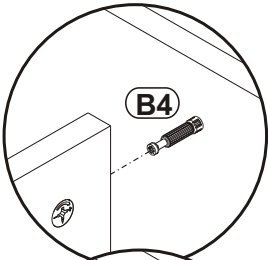
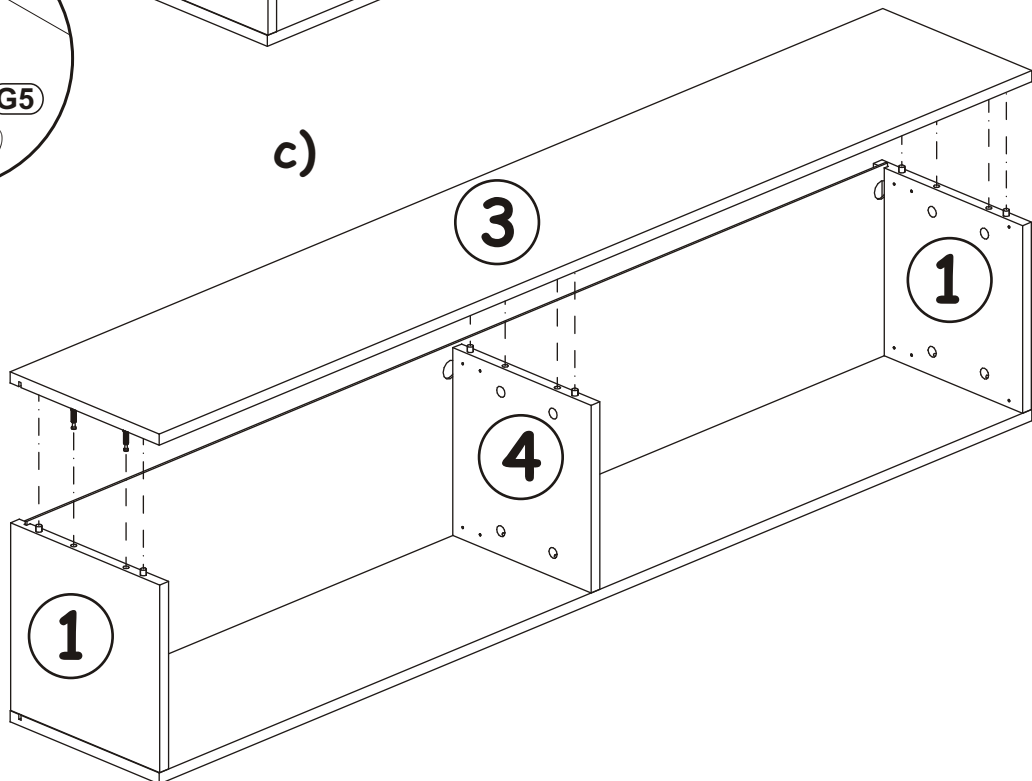
a)



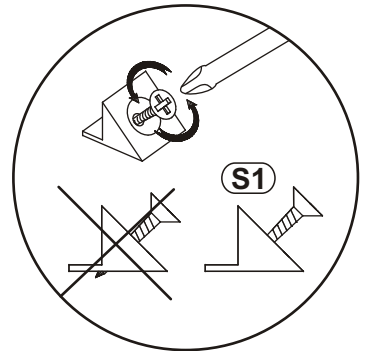
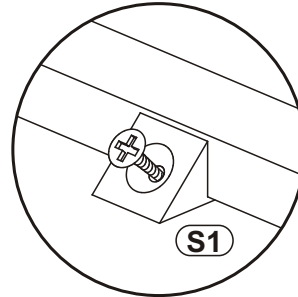
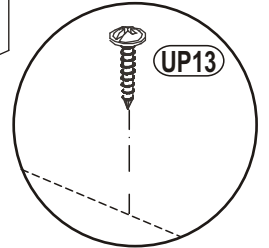
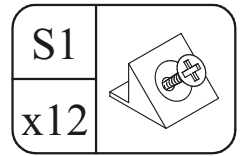
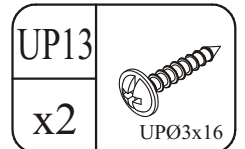
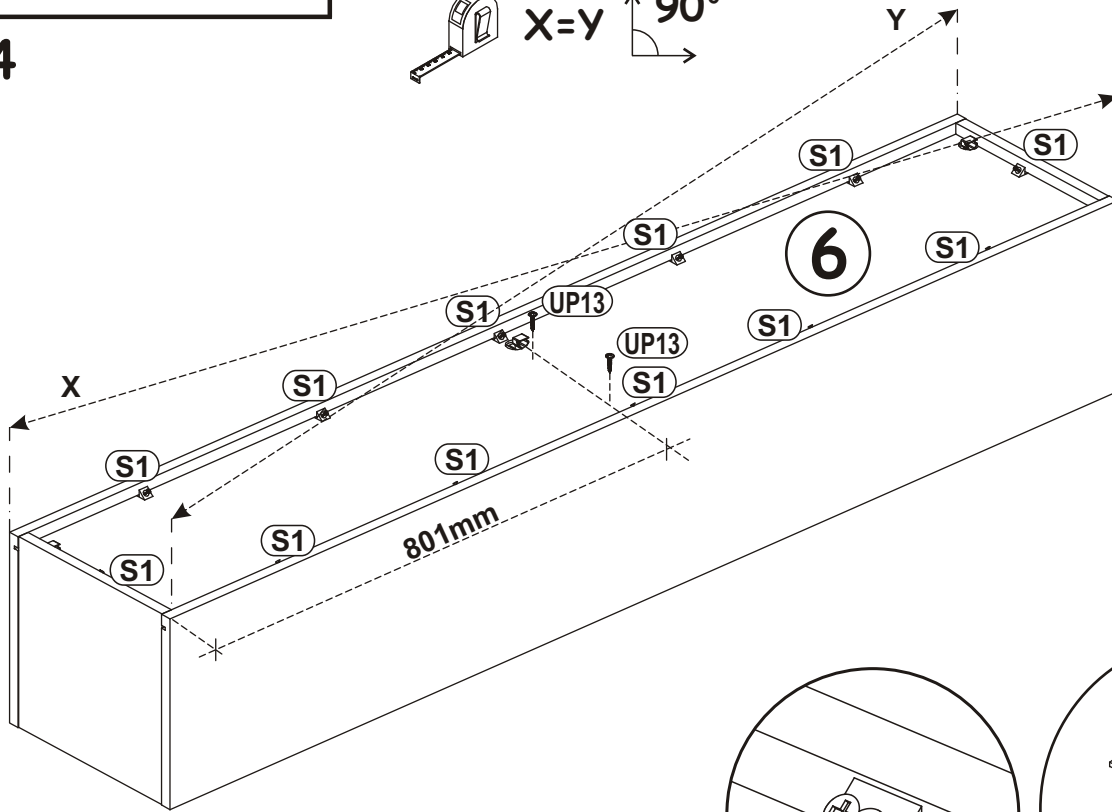
b)



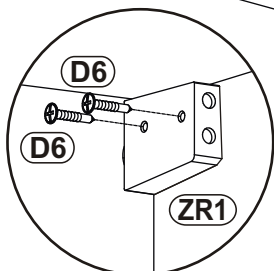
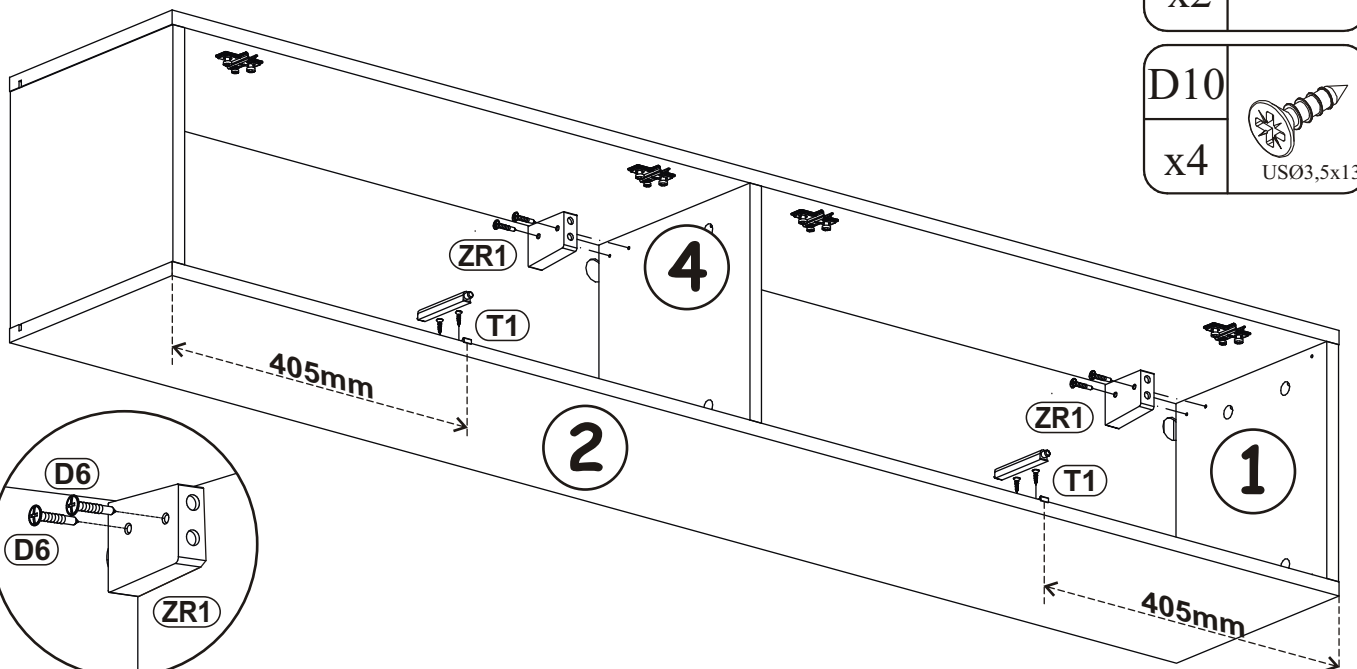
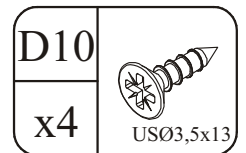
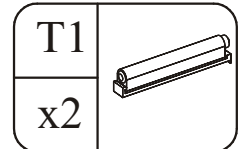
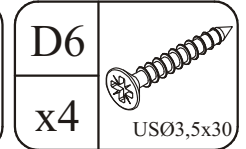
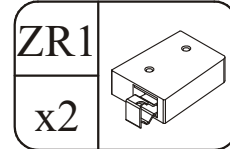
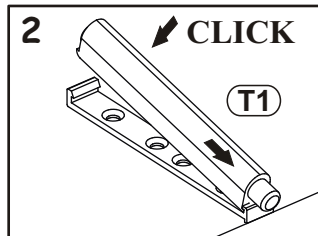
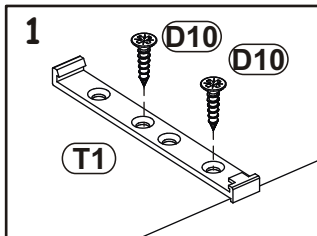
c)



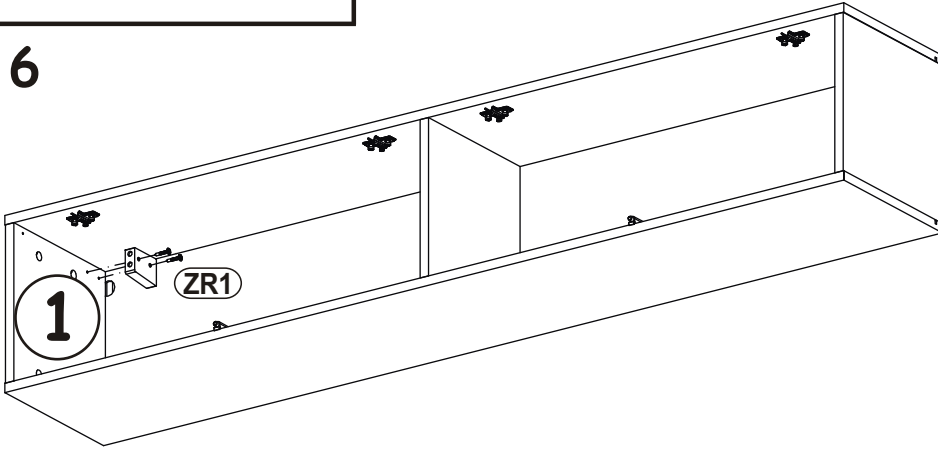
4



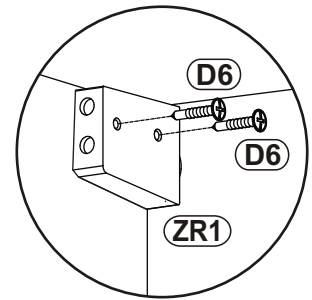
5



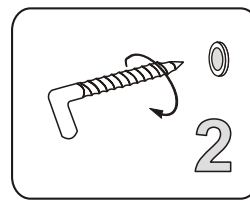
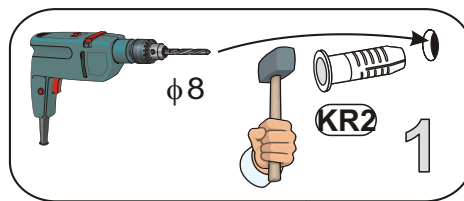
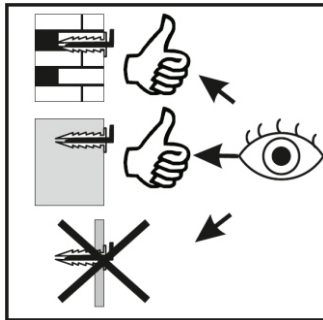
6



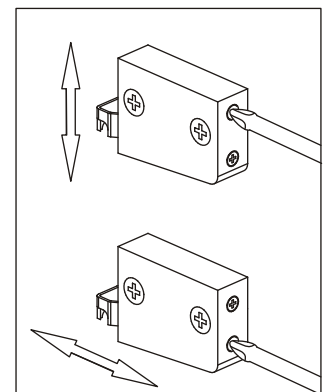
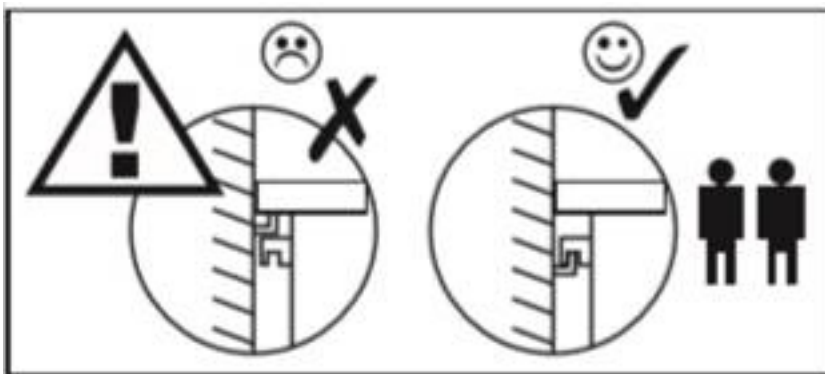
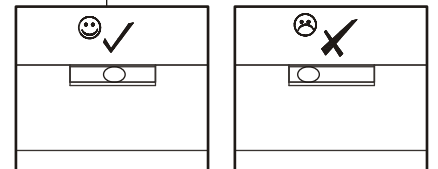
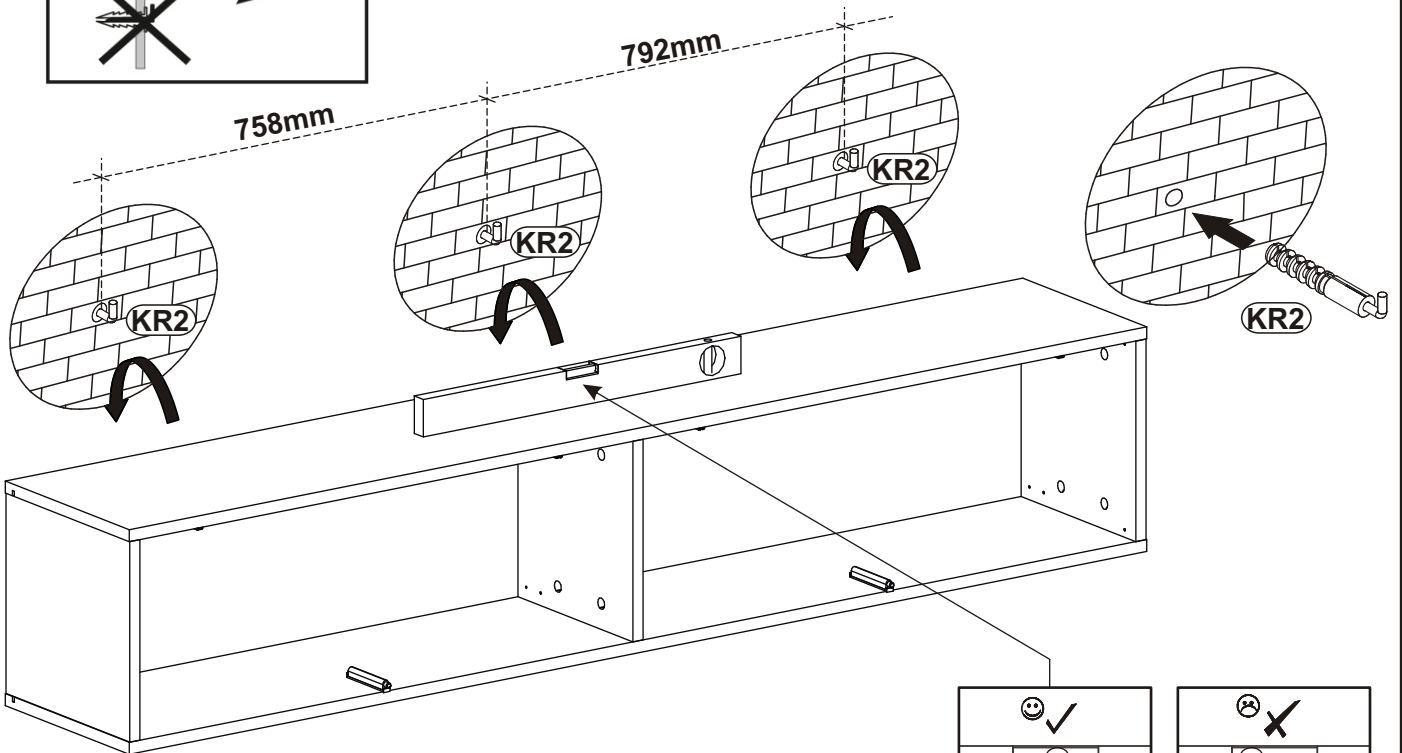
ZR1		D6	
x1		x2	USØ3,5x30



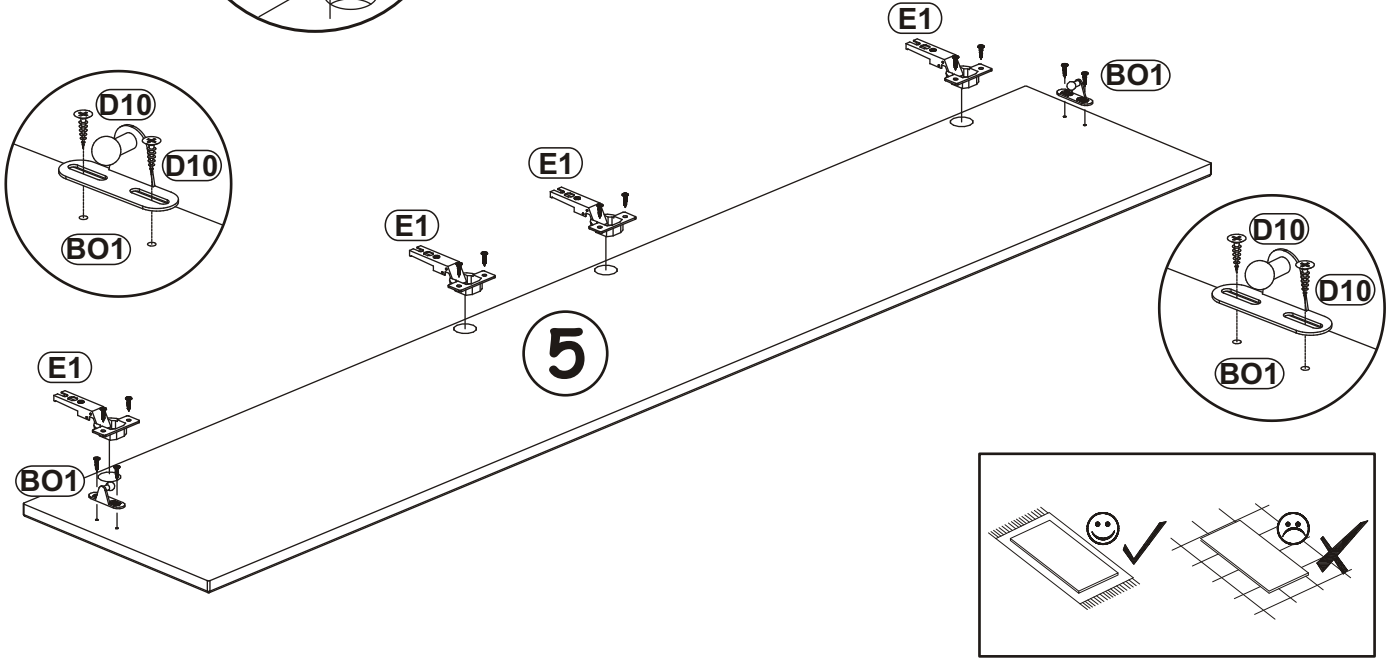
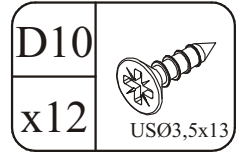
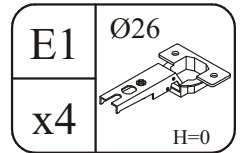
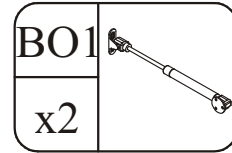
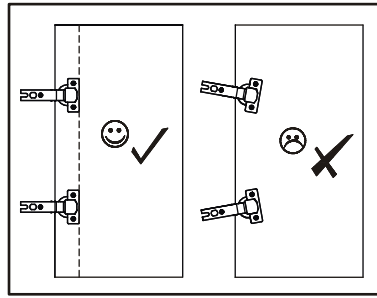
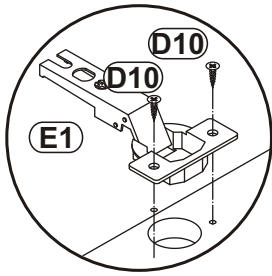
7



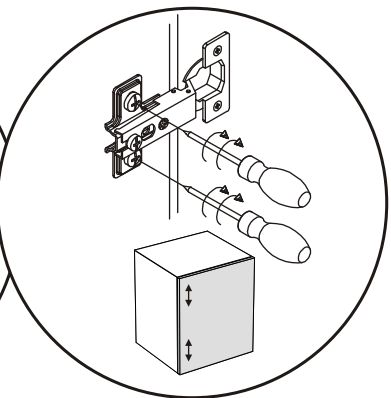
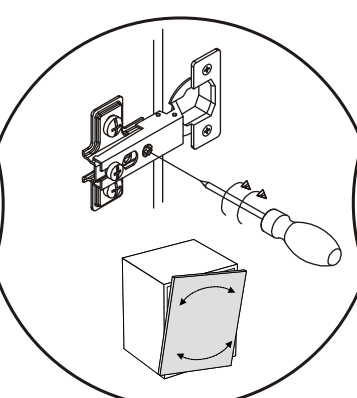
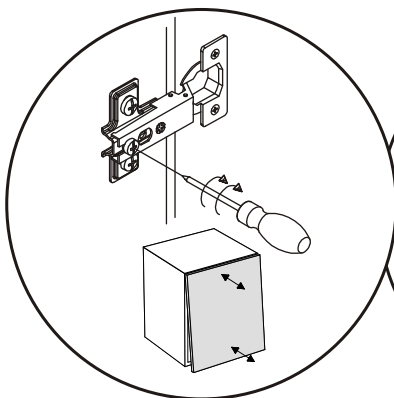
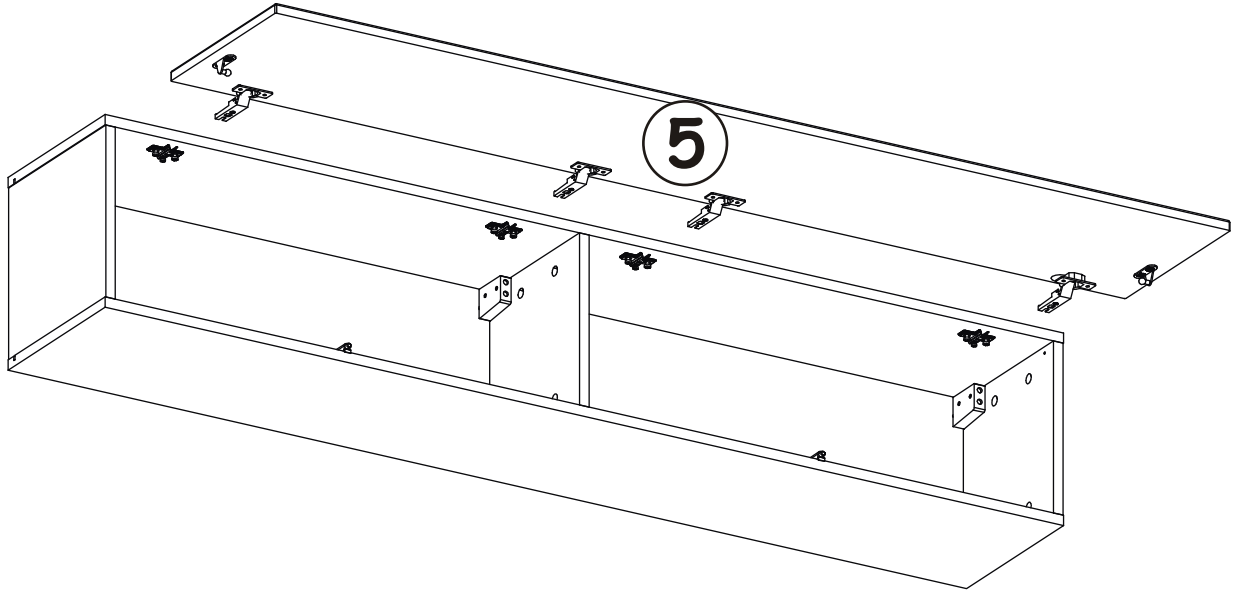
KR2	
x3	




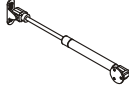
8



9



10

D10		B01	
x6	USØ3,5x13	x2	

