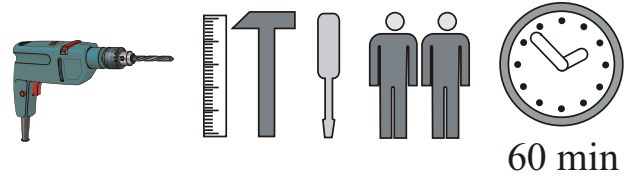
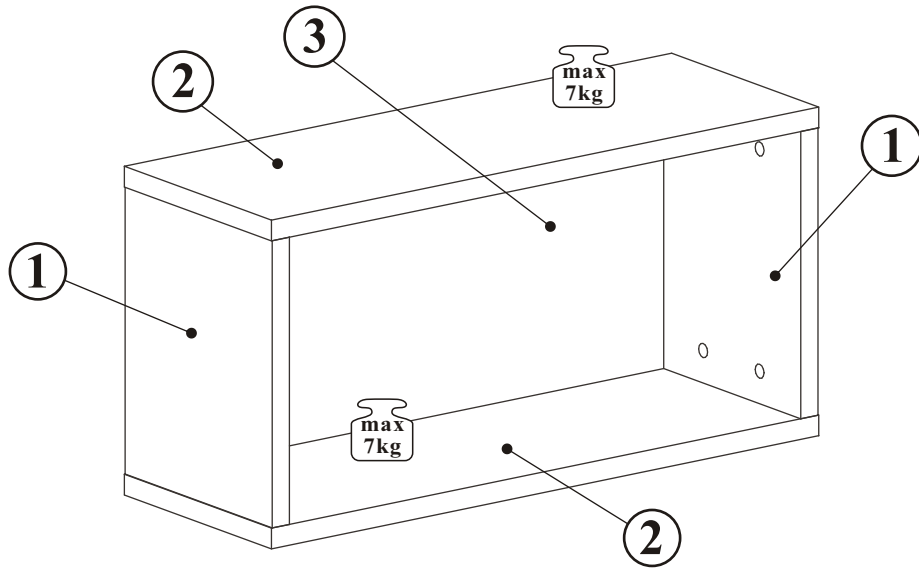
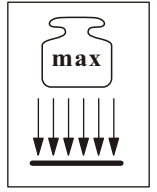
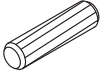
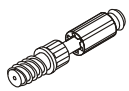



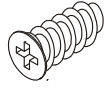
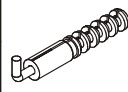
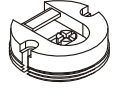



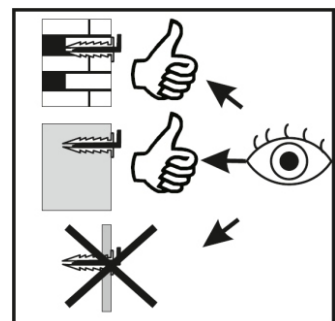
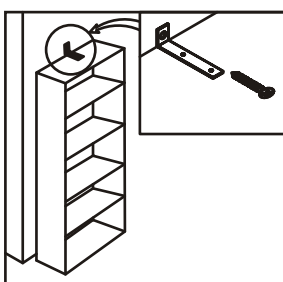
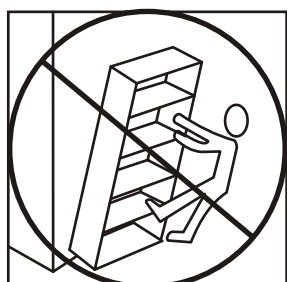
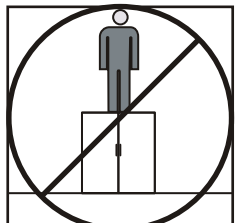
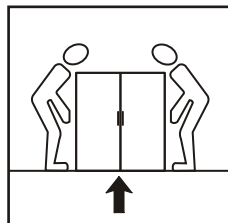
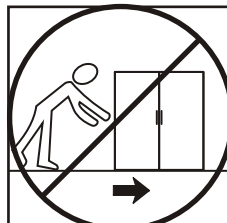
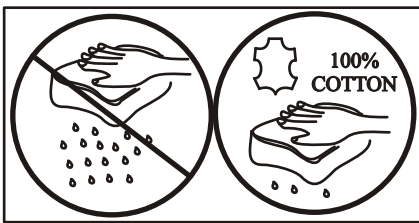
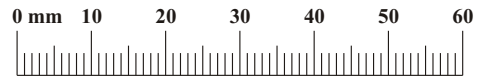
# BLOX TYP - 11



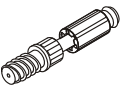
NO	Dim.		Col.-No	Qty
1	305	250	1	2
2	699	250	1	2
3	305	653	1	1

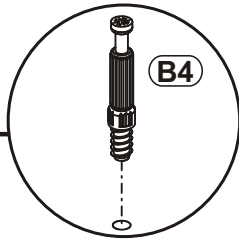
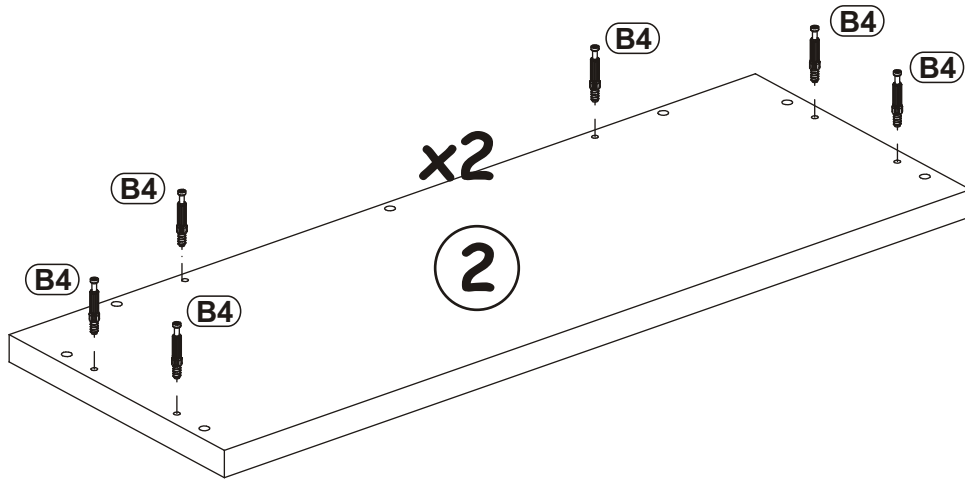
# BLOX TYP - 11

A1 x18  ø8x36	B4 x14 	B5 x6  ø15x12	B16 x8  Ø15x16	G5 x14 	D28 x4  ESØ6x9,5
KR2 x2 	ZM1 x2 	G2 x1 			

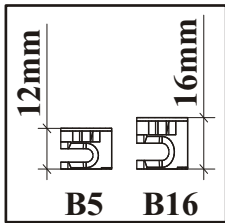


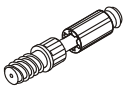
1

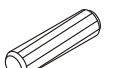
B4	
x12	

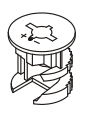


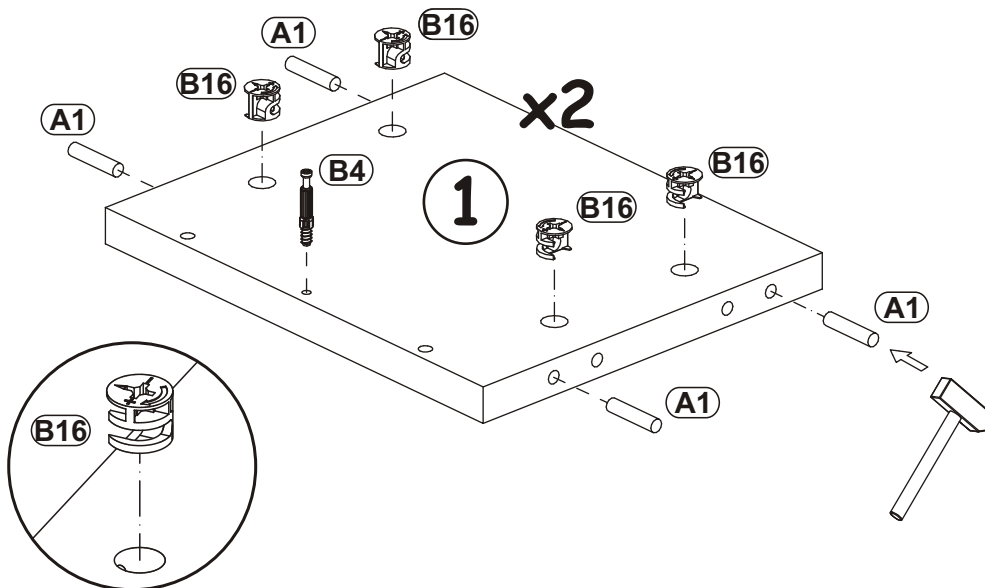
2



B4	
x2	

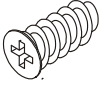
A1	
x8	ø8x36

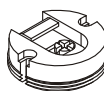
B16	
x8	Ø15x16

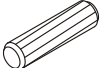


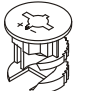
BLOX TYP - 11

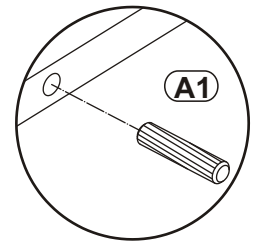
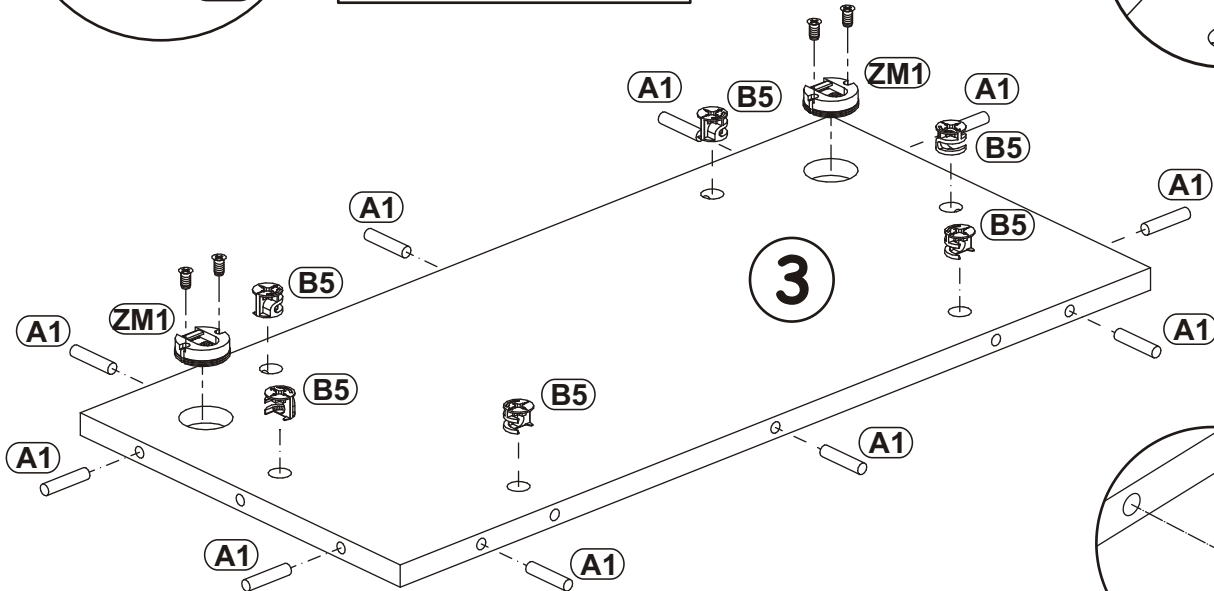
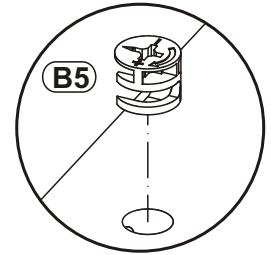
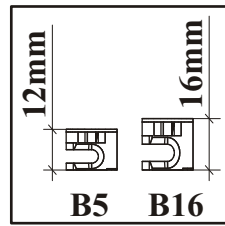
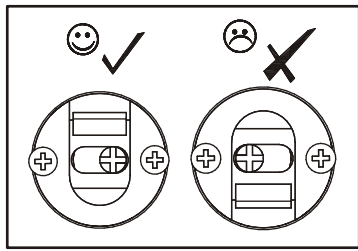
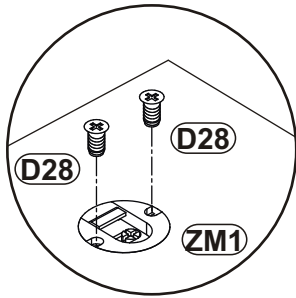
3

D28	
x4	ESØ6x9,5

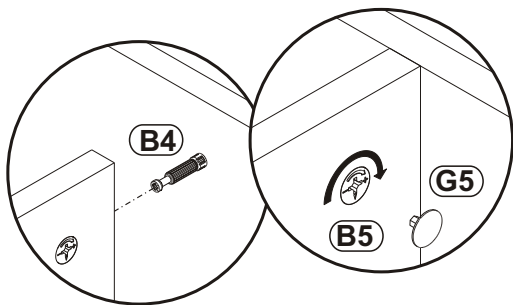
ZM1	
x2	


A1	
x10	ø8x36

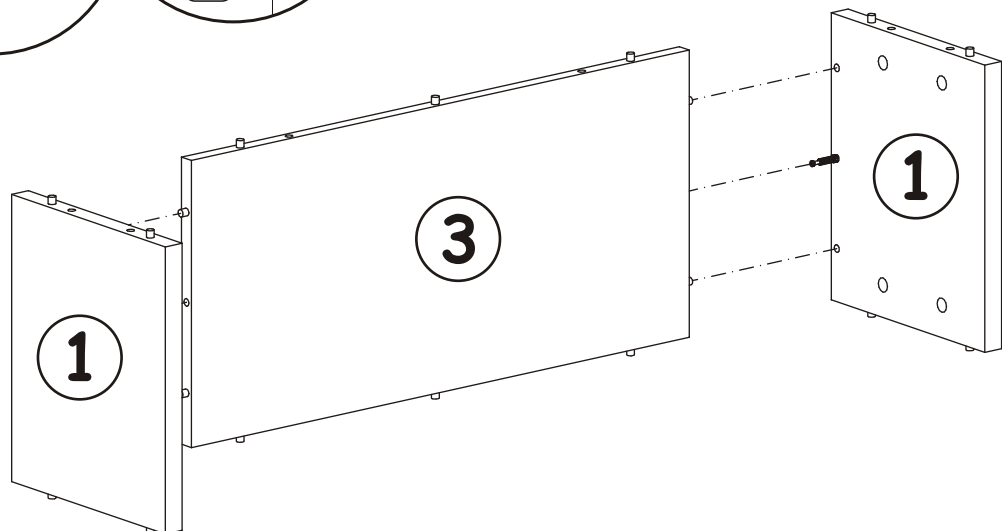
B5	
x6	ø15x12



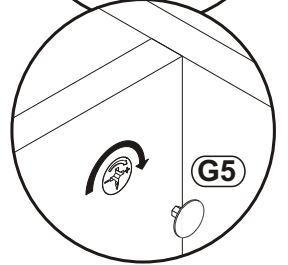
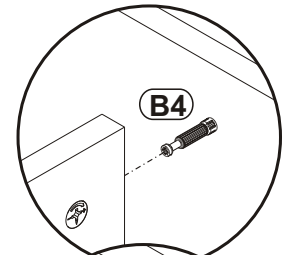
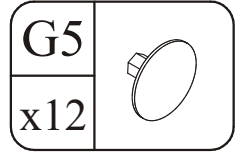
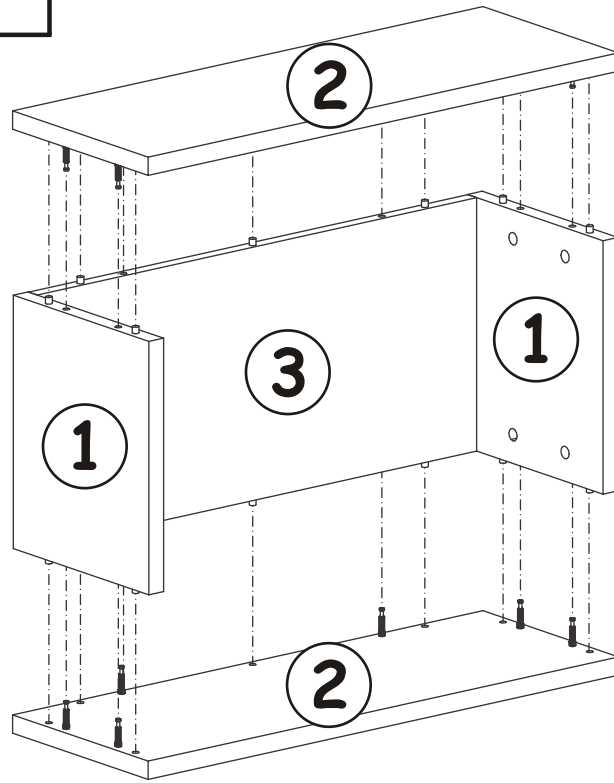
4



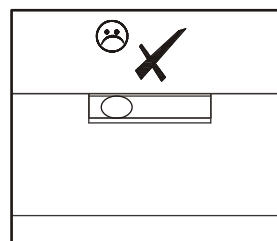
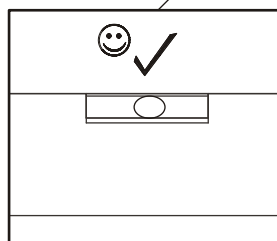
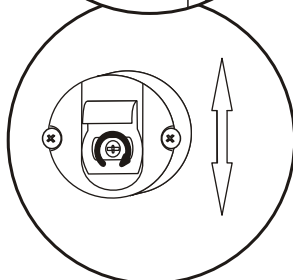
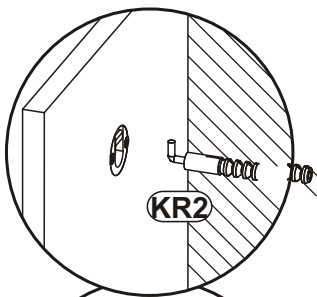
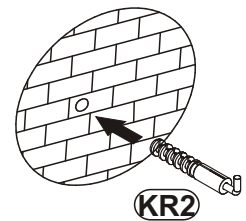
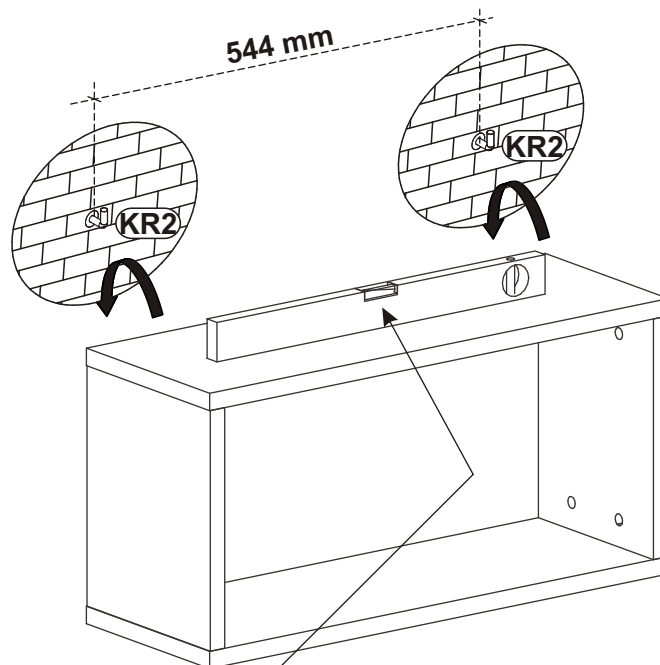
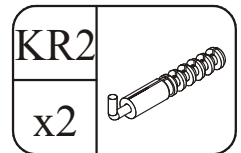
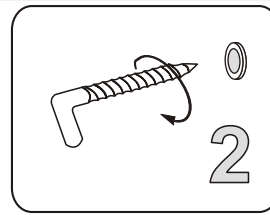
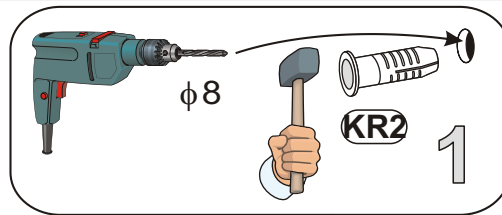
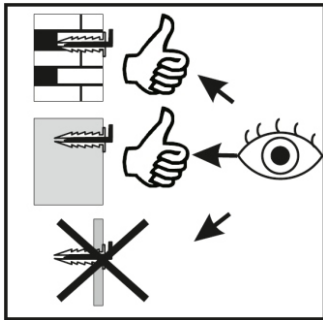
G5	
x2	



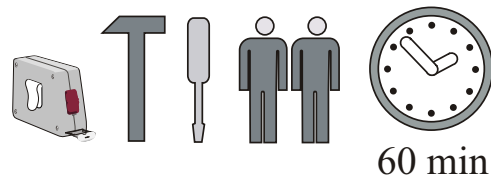
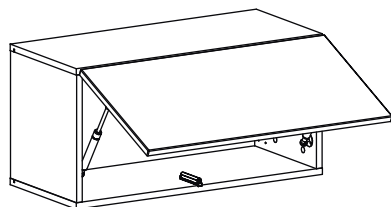
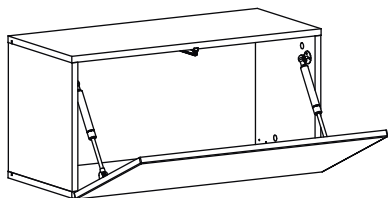
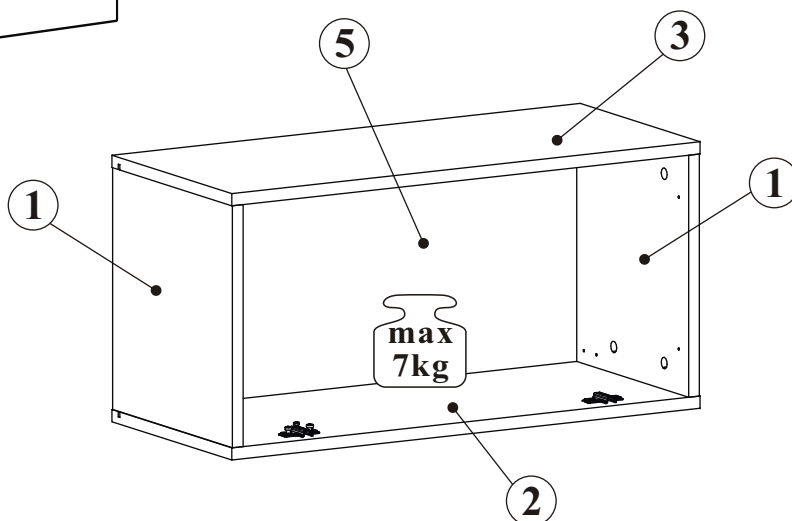
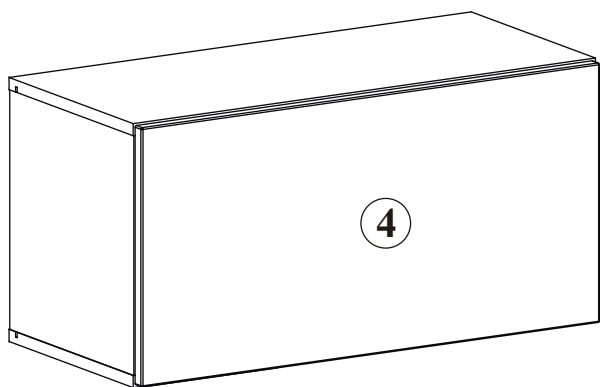
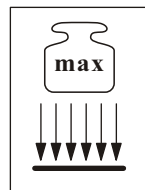
5



6

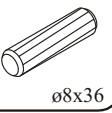
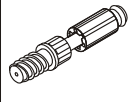


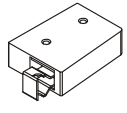

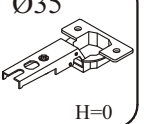
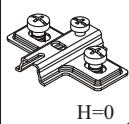

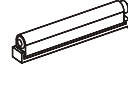

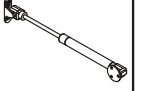
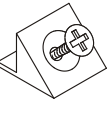
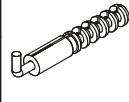



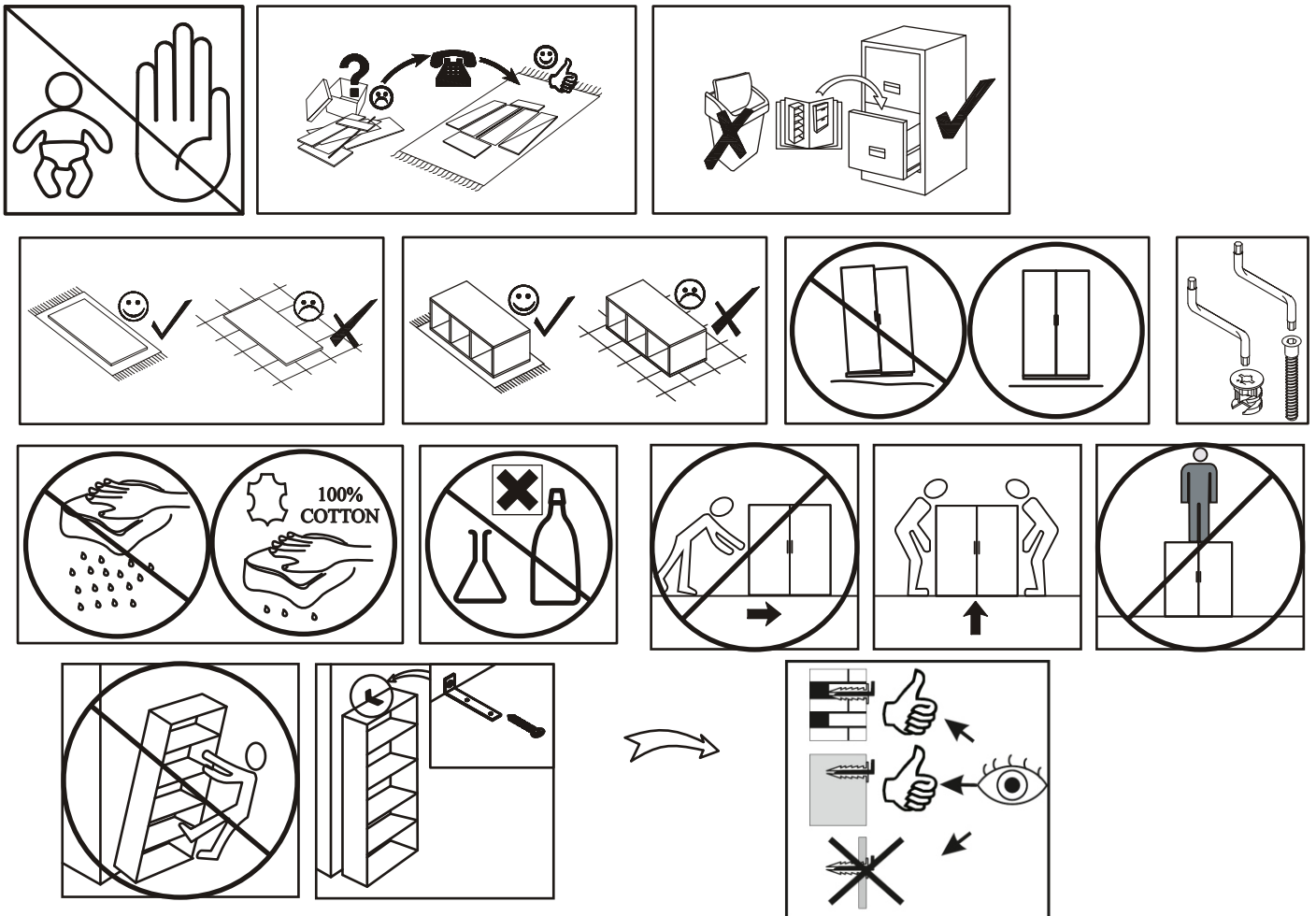
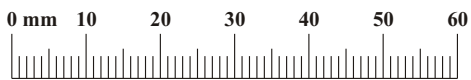
# BLOX TYP 21

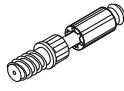


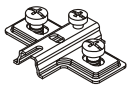
NO	Dim.		Col.-No	Qty
1	317	304	1	2
2	699	304	1	1
3	699	304	1	1
4	693	343	1	1
5	329	677	1	1

# BLOX TYP 21

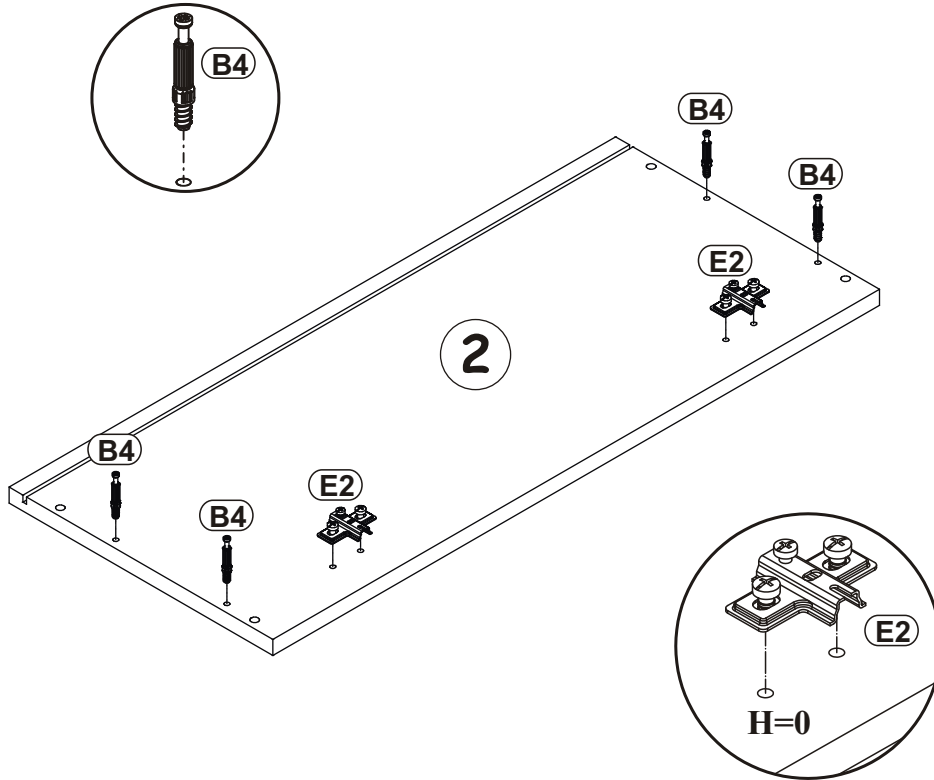
A1 x8  ø8x36	B4 x8 	B5 x8  Ø15x12	G5 x8 	ZR1 x2 	D6 x4  USØ3,5x30
E21 x2 Ø35  H=0	E2 x2  H=0	D10 x26  USØ3,5x13	T1 x1 	BO1 x2 	BP1 x2 
S1 x6 	KR2 x2 	G2 x1 			



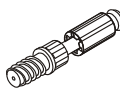
B4	
x4	

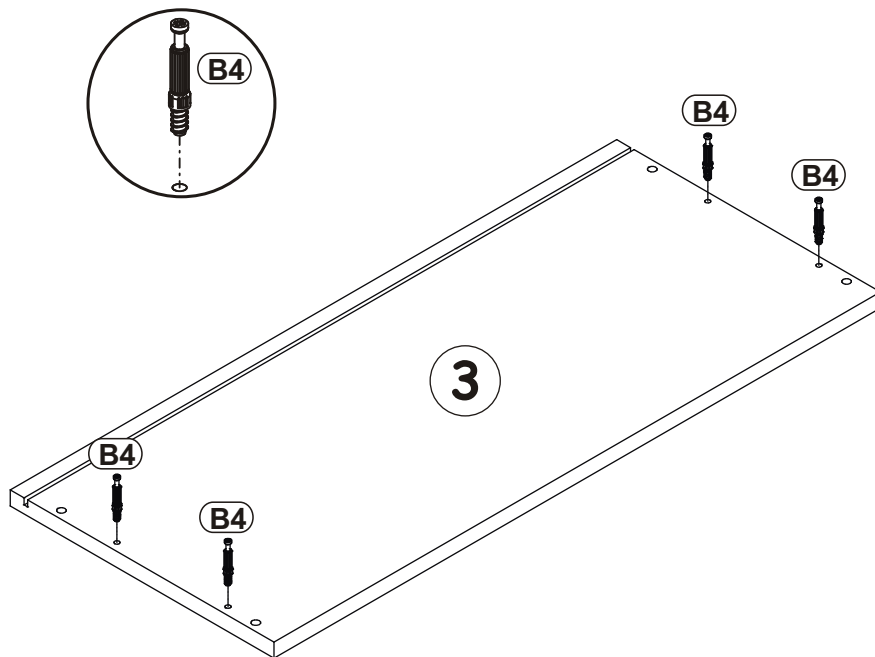
E2	
x2	H=0

1



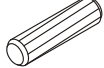

2

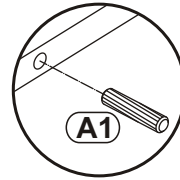
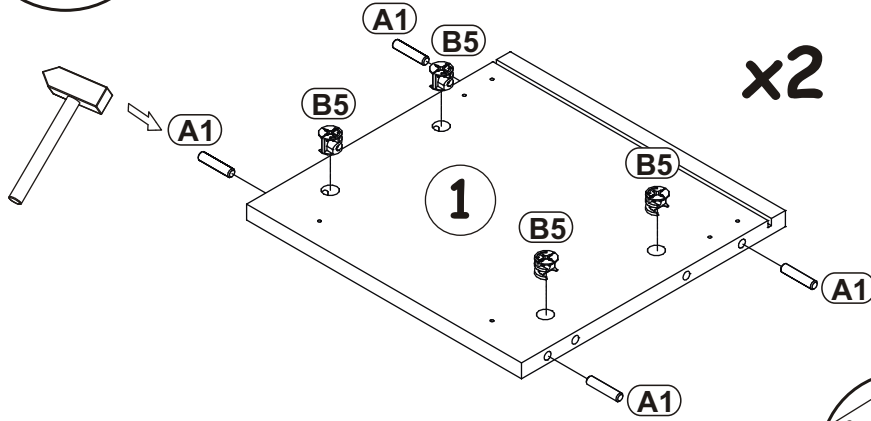
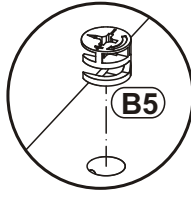
B4	
x4	



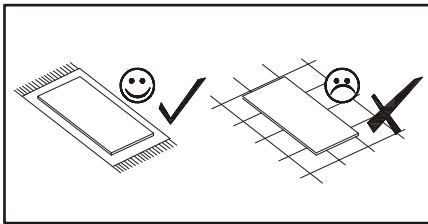


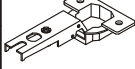
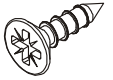
3

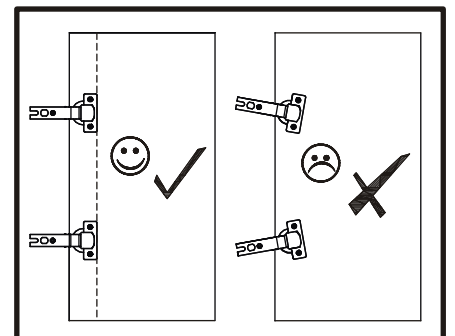
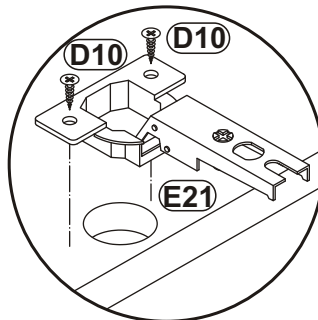
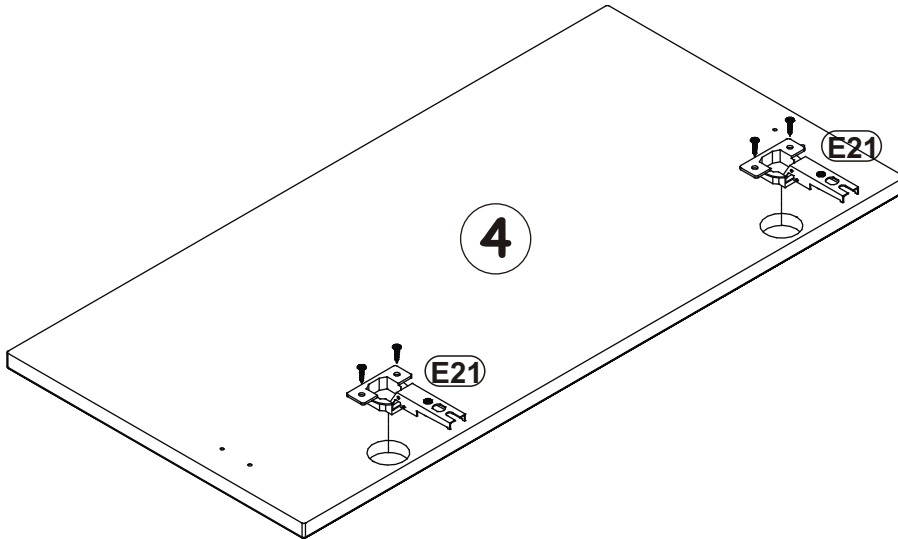
A1		B5	
x8	ø8x36	x8	Ø15x12



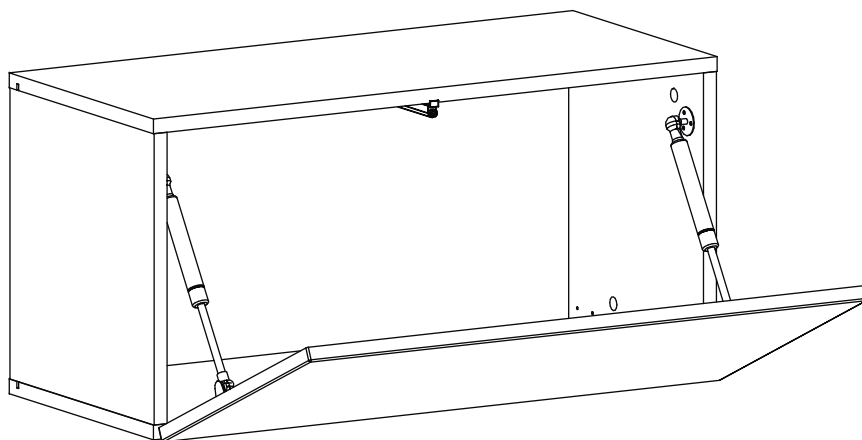
4



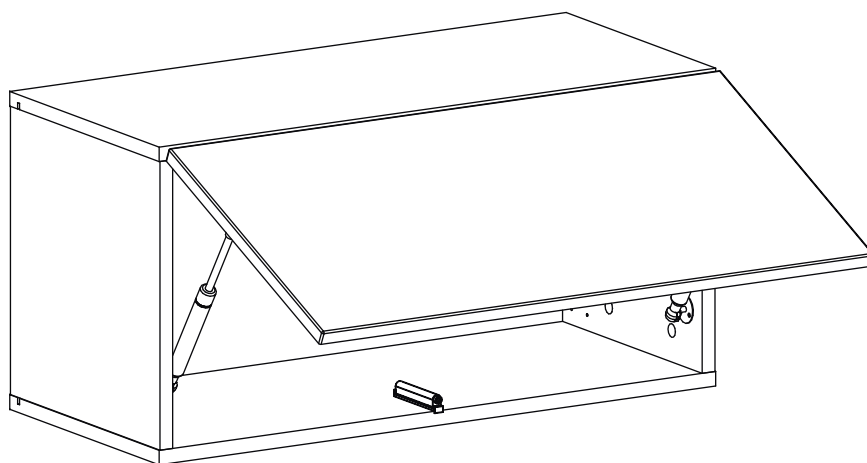
E21		D10	
x2	Ø35 H=0	x4	USØ3,5x13



**5 - 12**

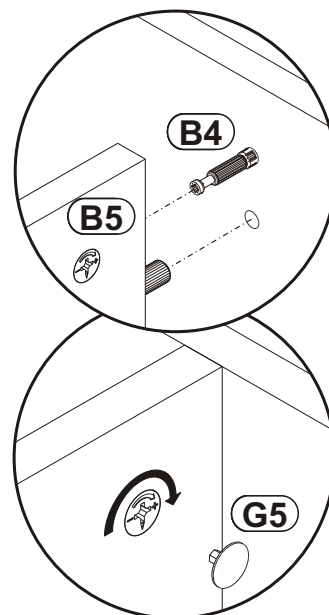
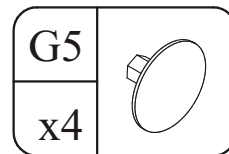
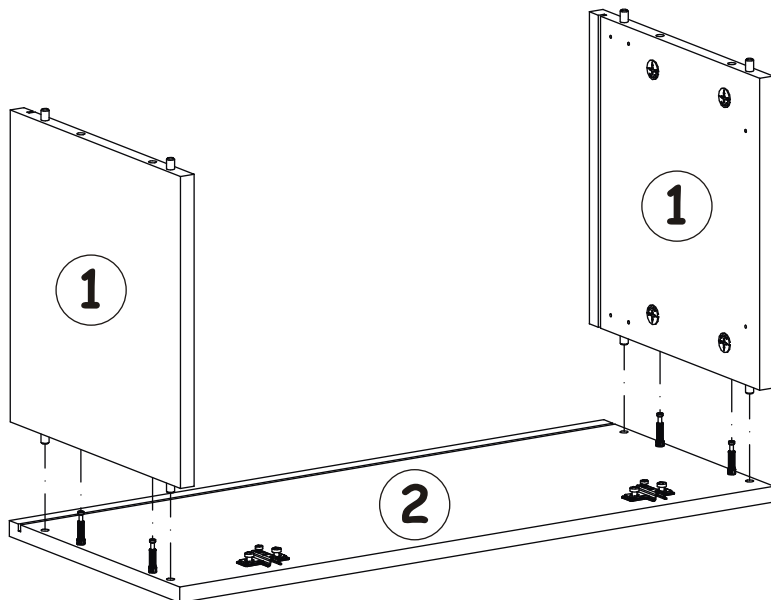
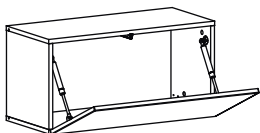


**13 - 20**

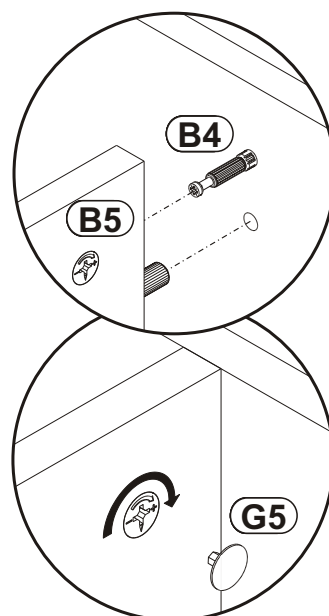
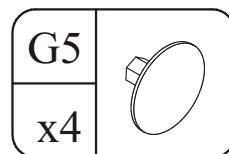
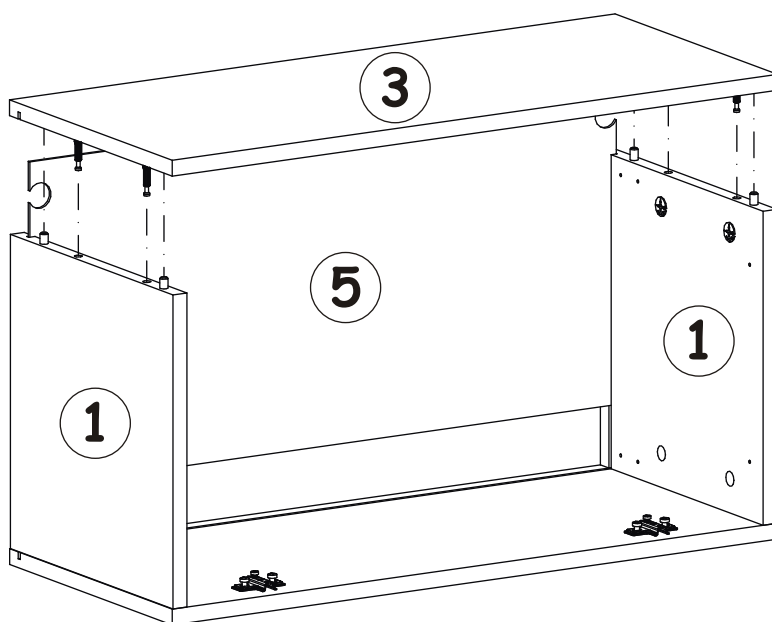


BLOX TYP 21

5



6



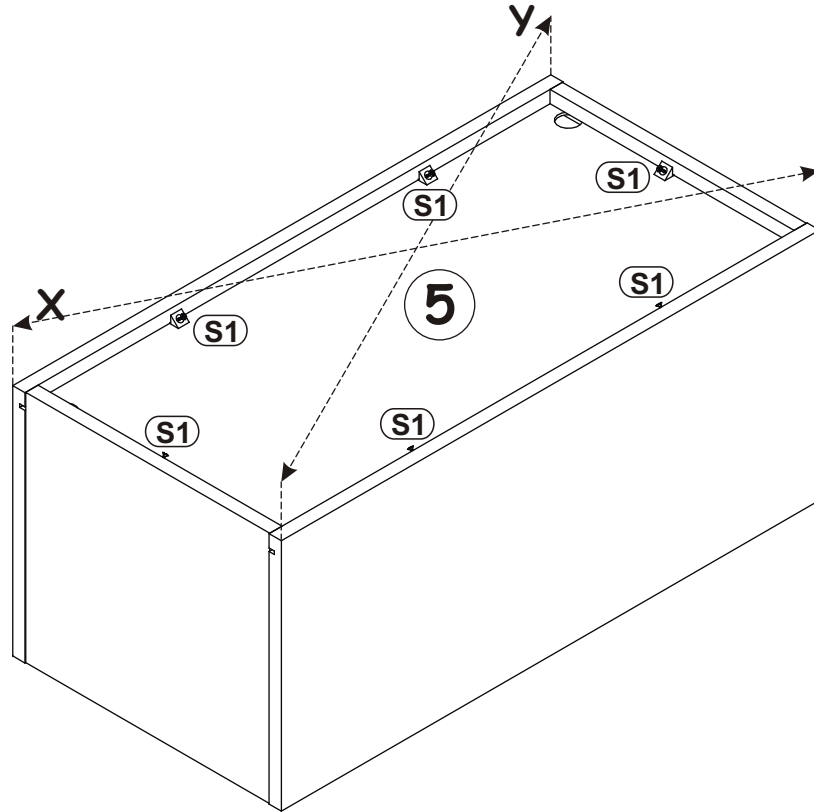
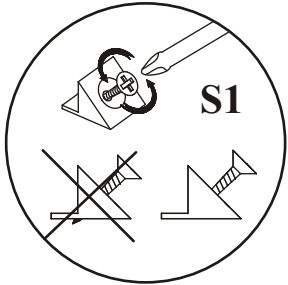
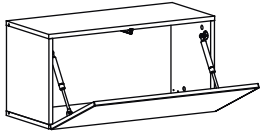
BLOX TYP 21



$X=Y$   $90^\circ$

S1	
x6	

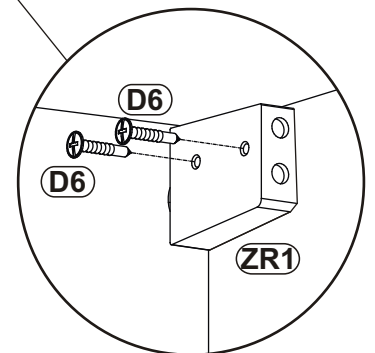
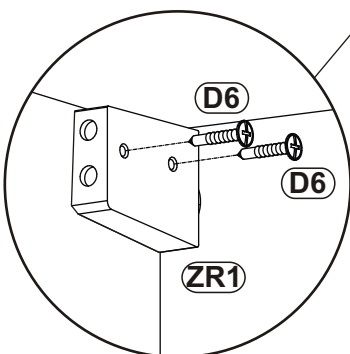
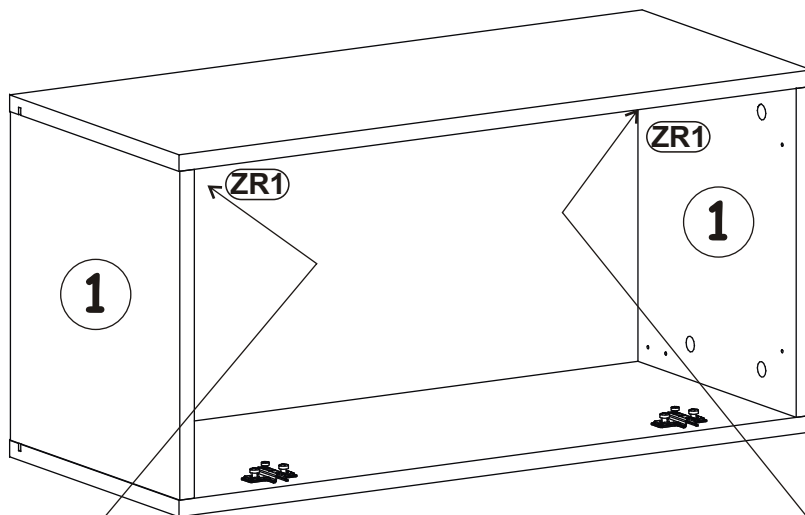
7



8

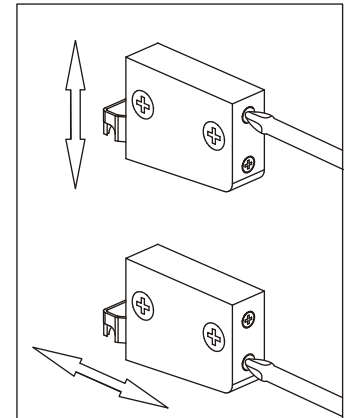
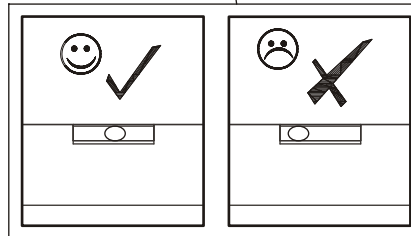
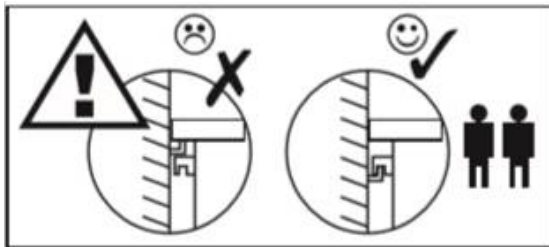
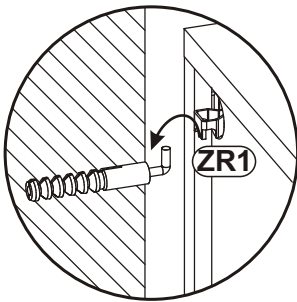
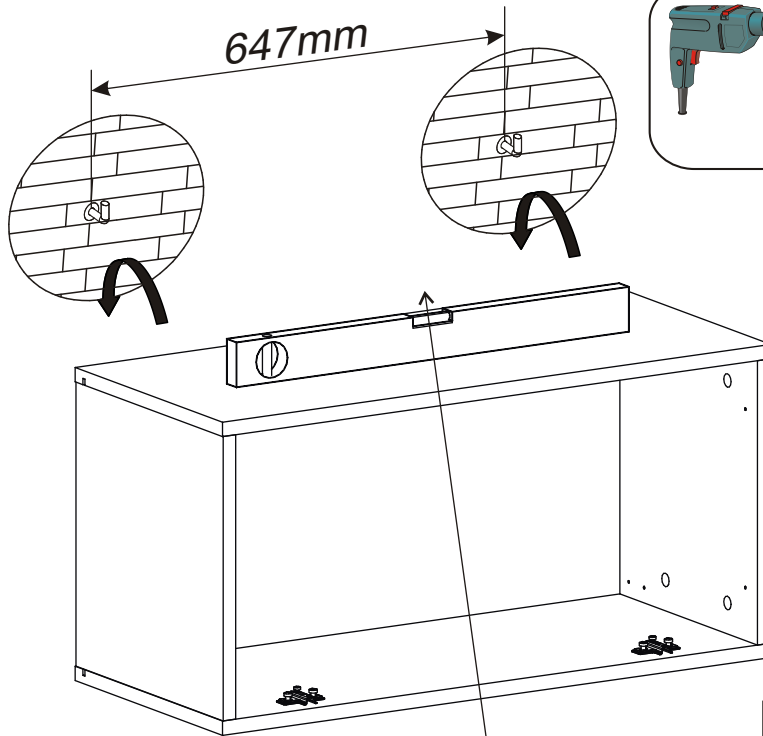
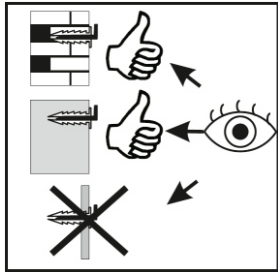
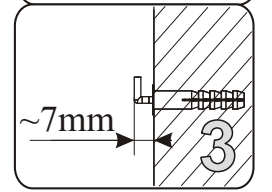
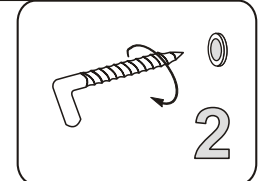
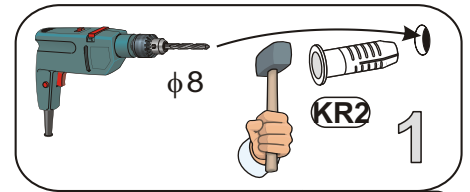
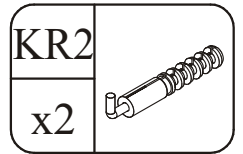
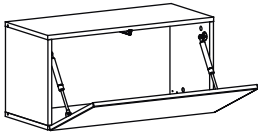
ZR1	
x2	

D6	
x4	USØ3,5x30

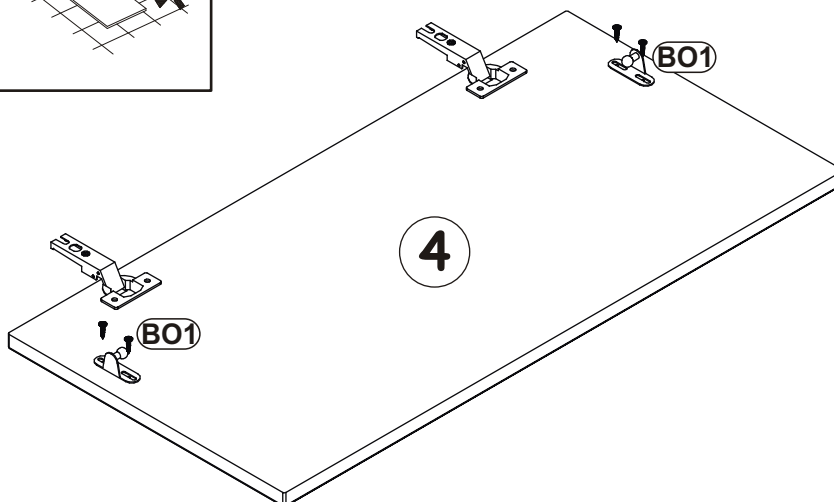
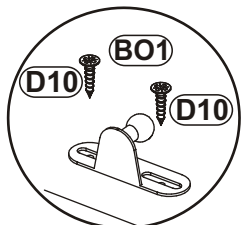
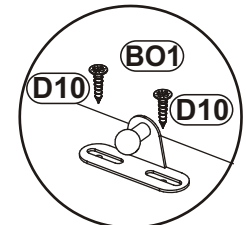
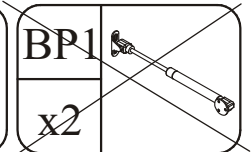
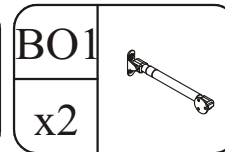
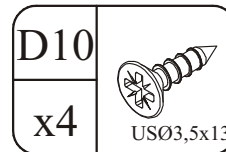
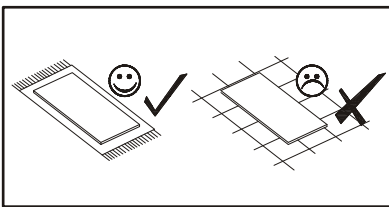


BLOX TYP 21

9

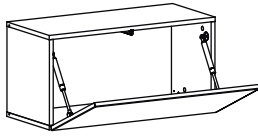


10



BLOX TYP 21

11

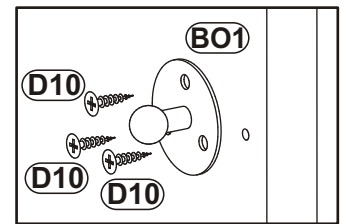
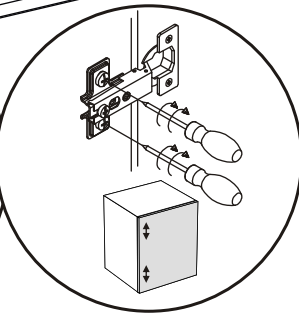
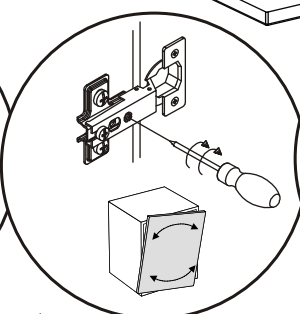
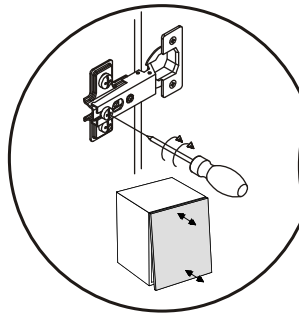
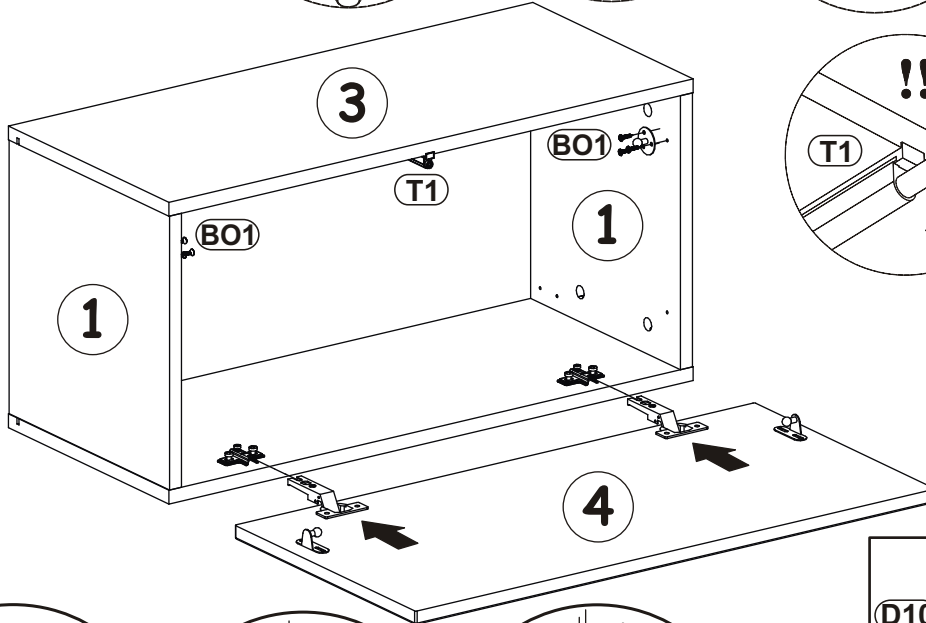
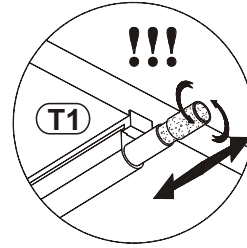
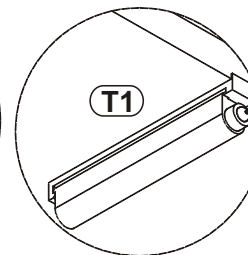
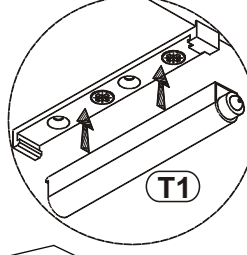
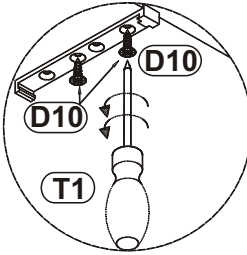


D10	
x8	USØ3,5x13

T1	
x1	

BO1	
x2	

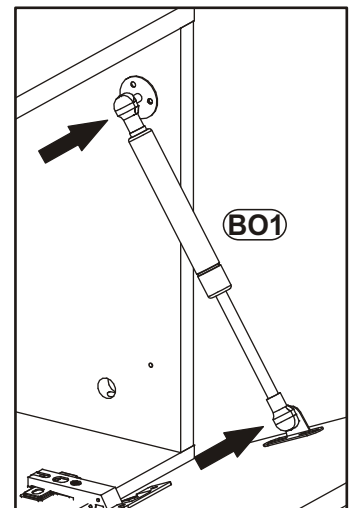
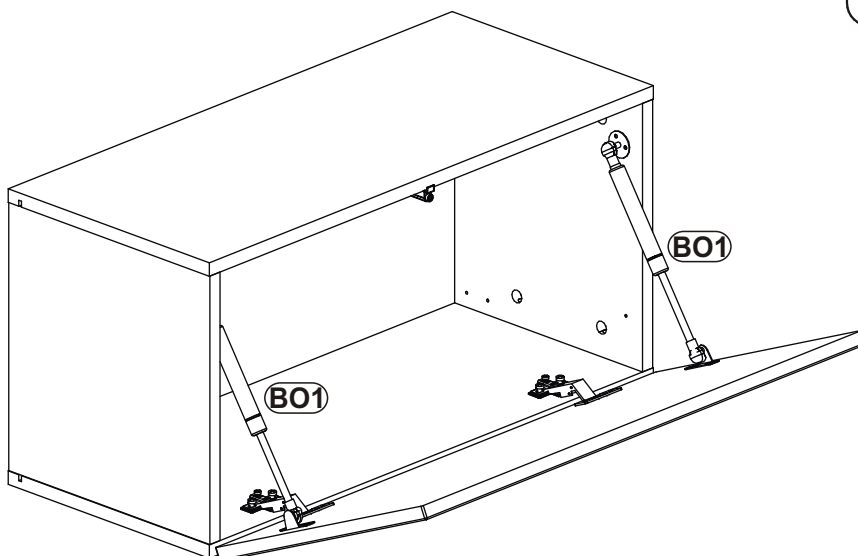
<del>BP1</del>	<del></del>
<del>x2</del>	



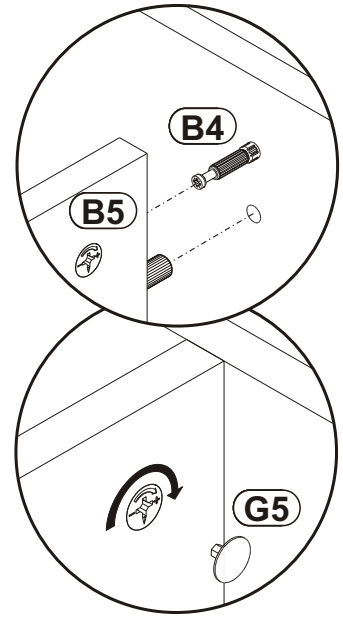
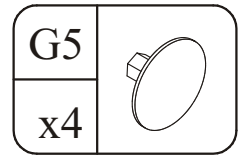
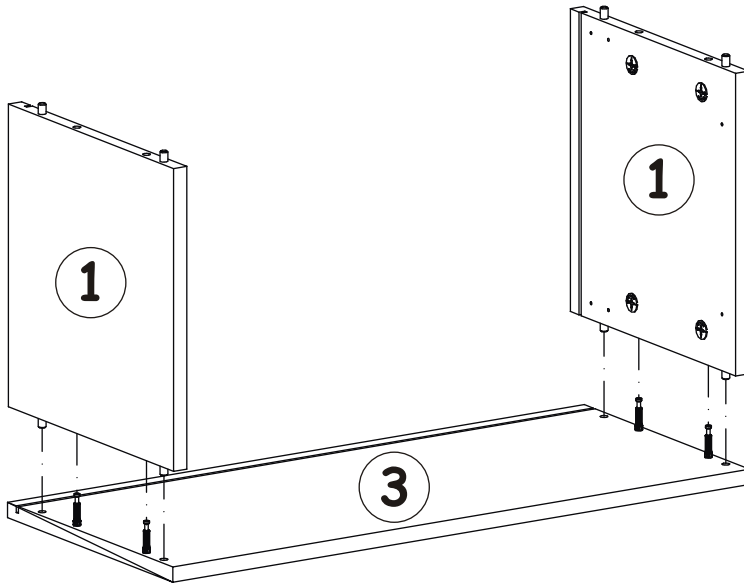
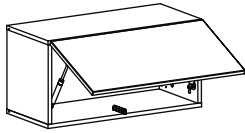
12

BO1	
x2	

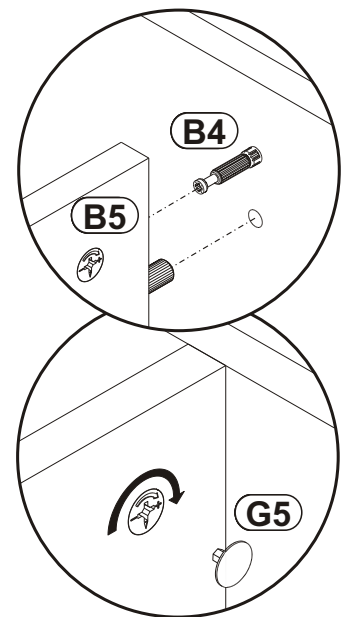
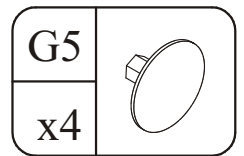
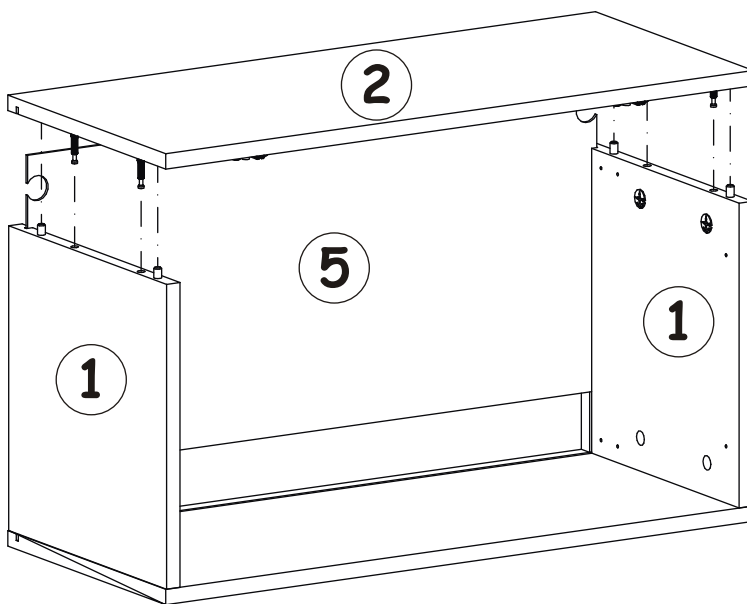
<del>BP1</del>	<del></del>
<del>x2</del>	



13



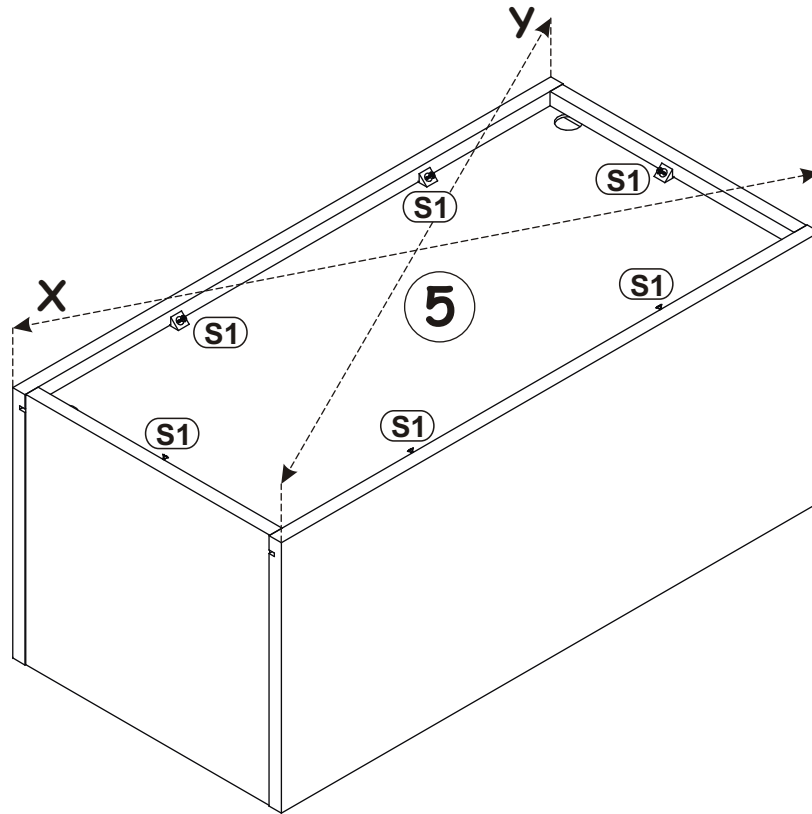
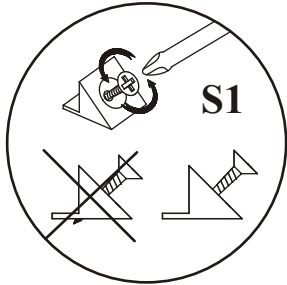
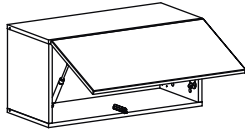
14





S1	
x6	

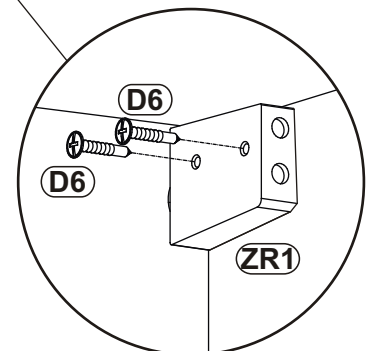
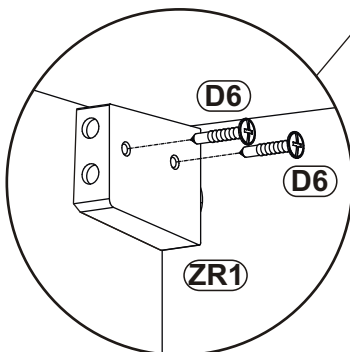
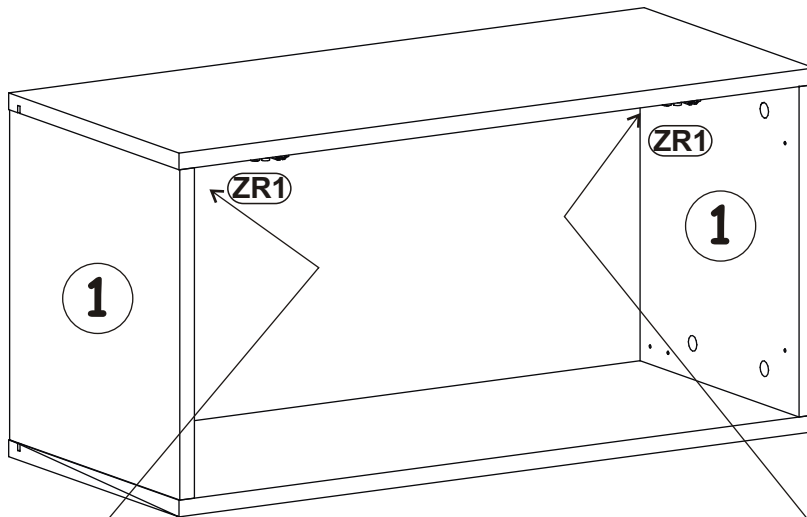
15



16

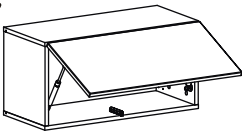
ZR1	
x2	

D6	
x4	USØ3,5x30



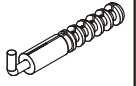


17

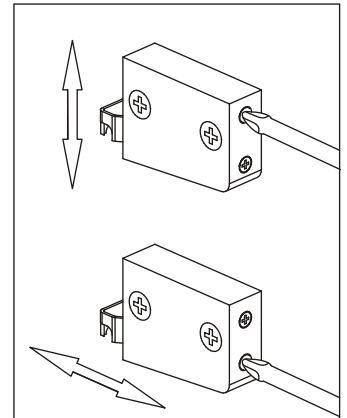
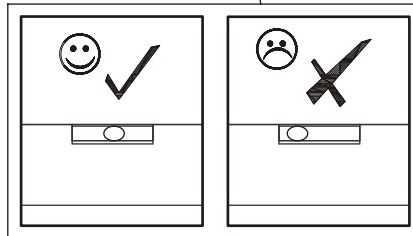
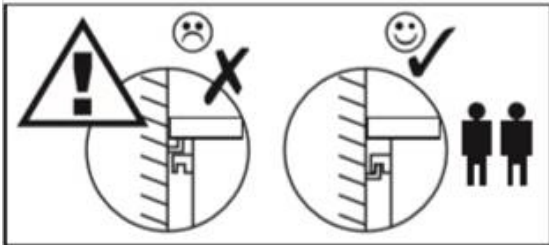
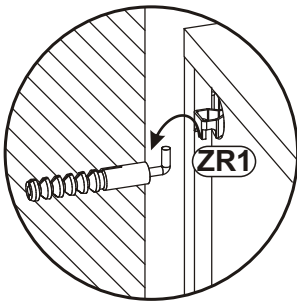
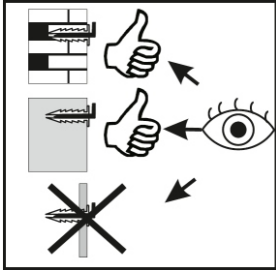
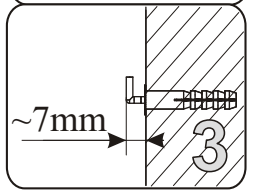
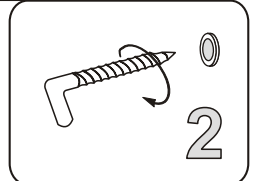
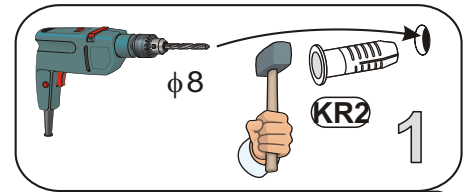
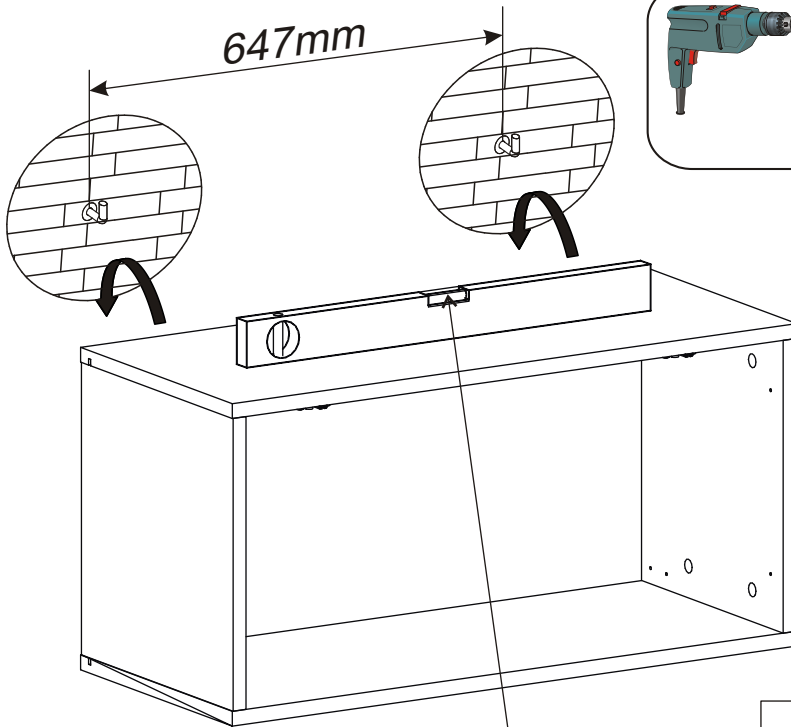


KR2

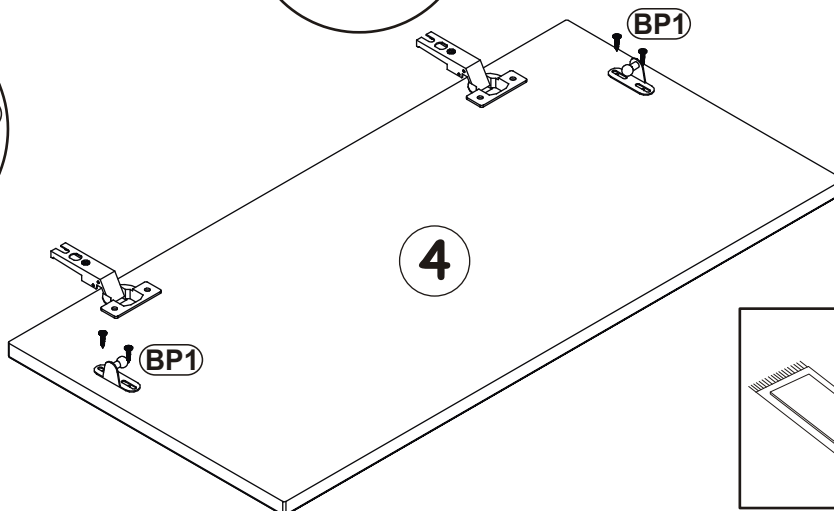
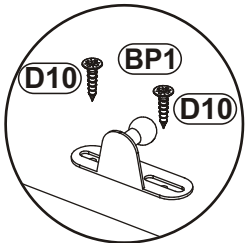
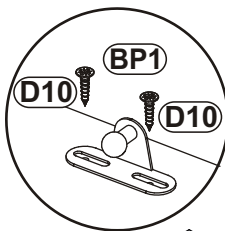
x2



647mm



18



D10

x4



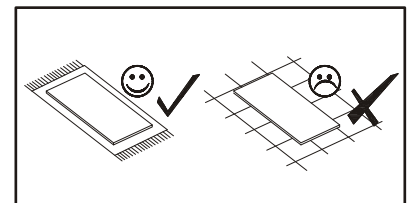
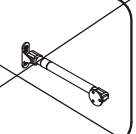
BP1

x2



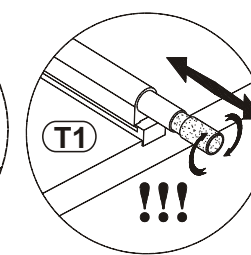
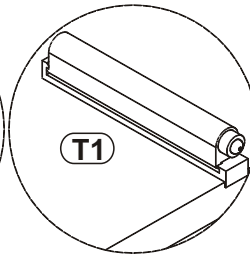
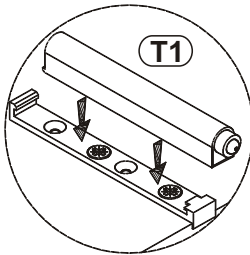
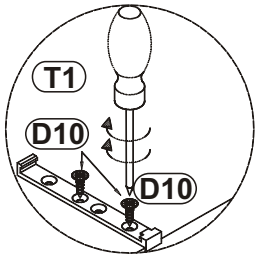
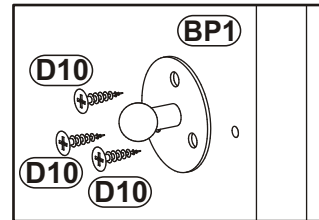
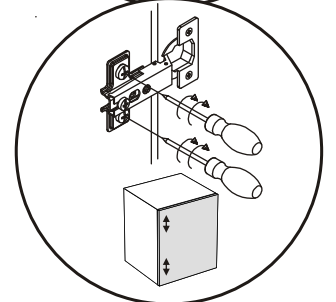
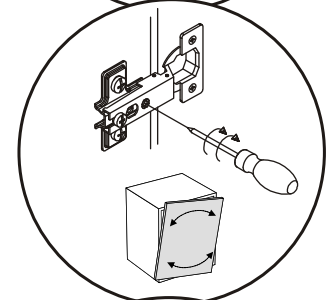
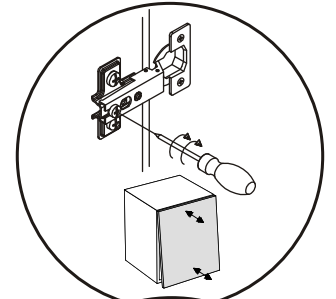
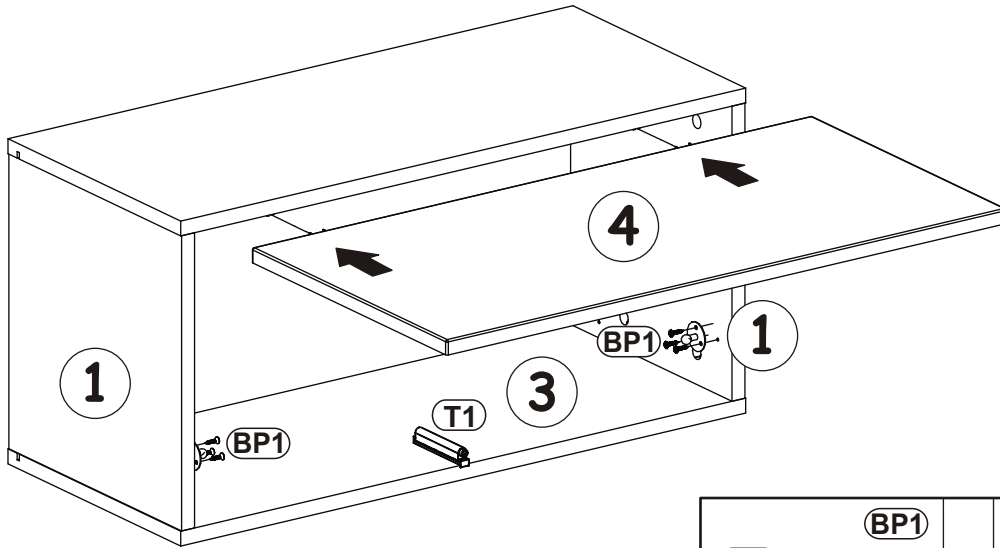
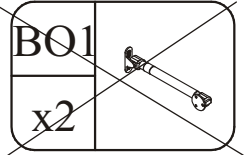
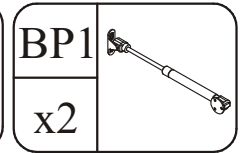
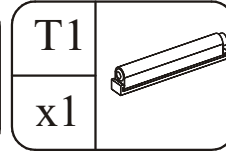
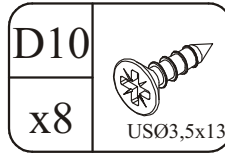
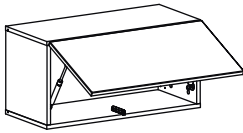
~~BO1~~

~~x2~~

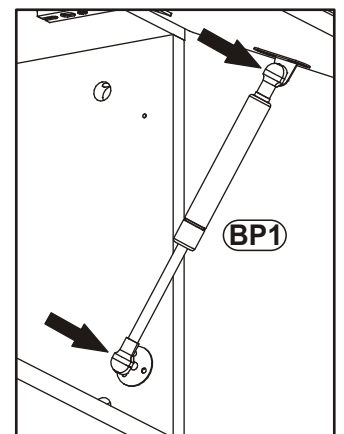
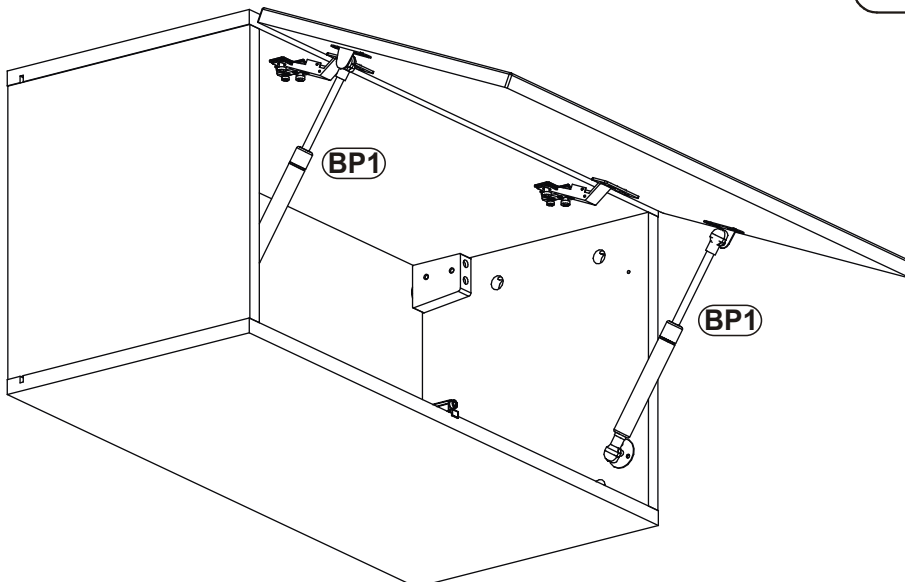
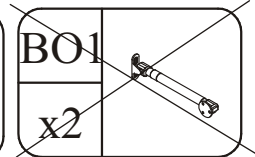
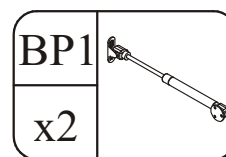


BLOX TYP 21

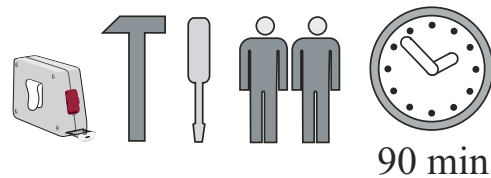
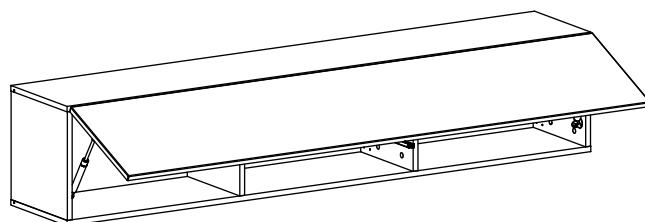
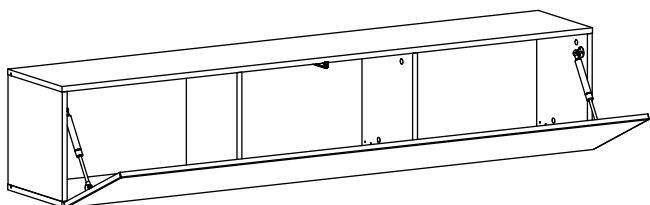
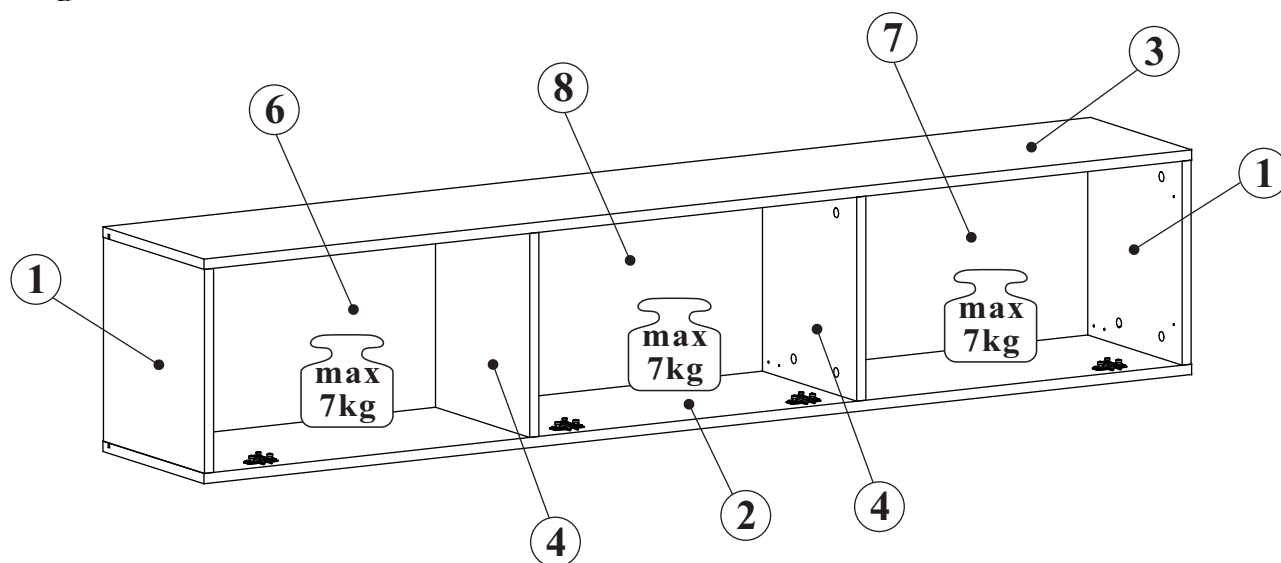
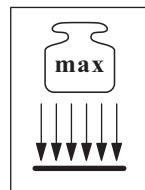
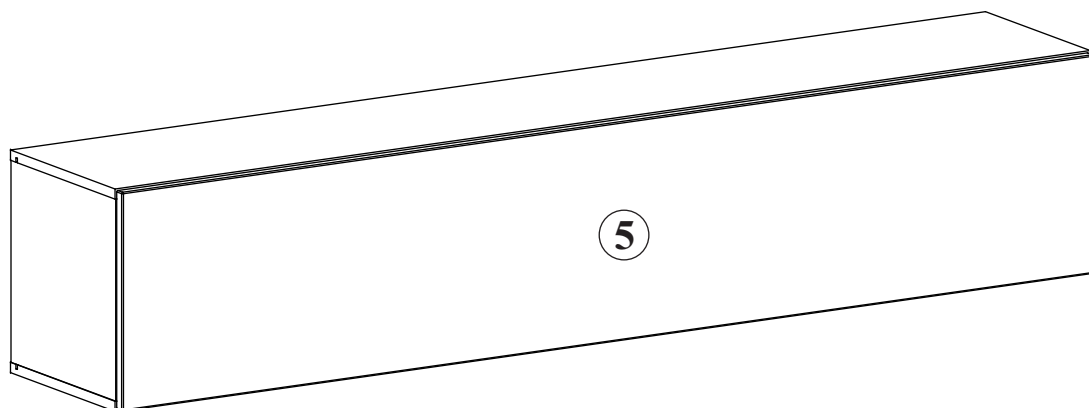
19



20

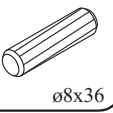
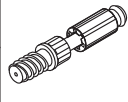


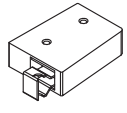

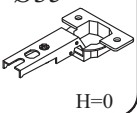
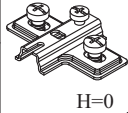

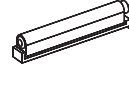

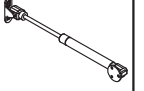
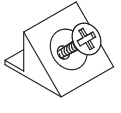
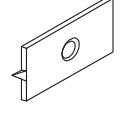

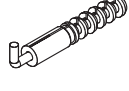



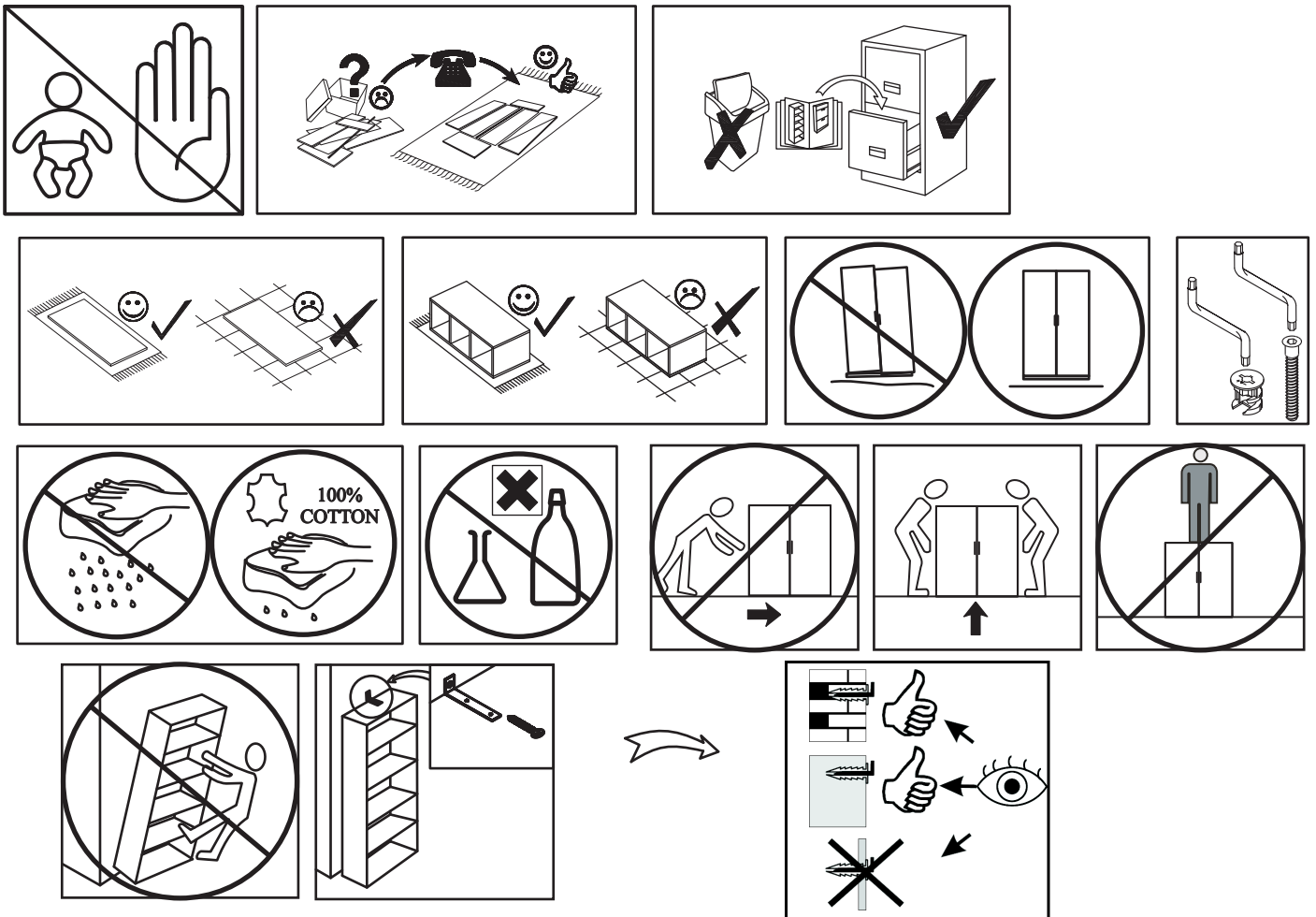
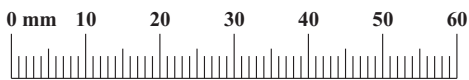
# BLOX TYP 24



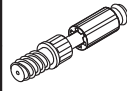
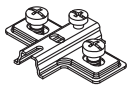
NO	Dim.		Col.-No	Qty
1	317	304	1	2
2	1749	304	1	1
3	1749	304	1	1
4	317	284	1	2
5	1743	343	1	1
6	329	573	1	1
7	329	573	1	1
8	329	575	1	1

# BLOX TYP 24

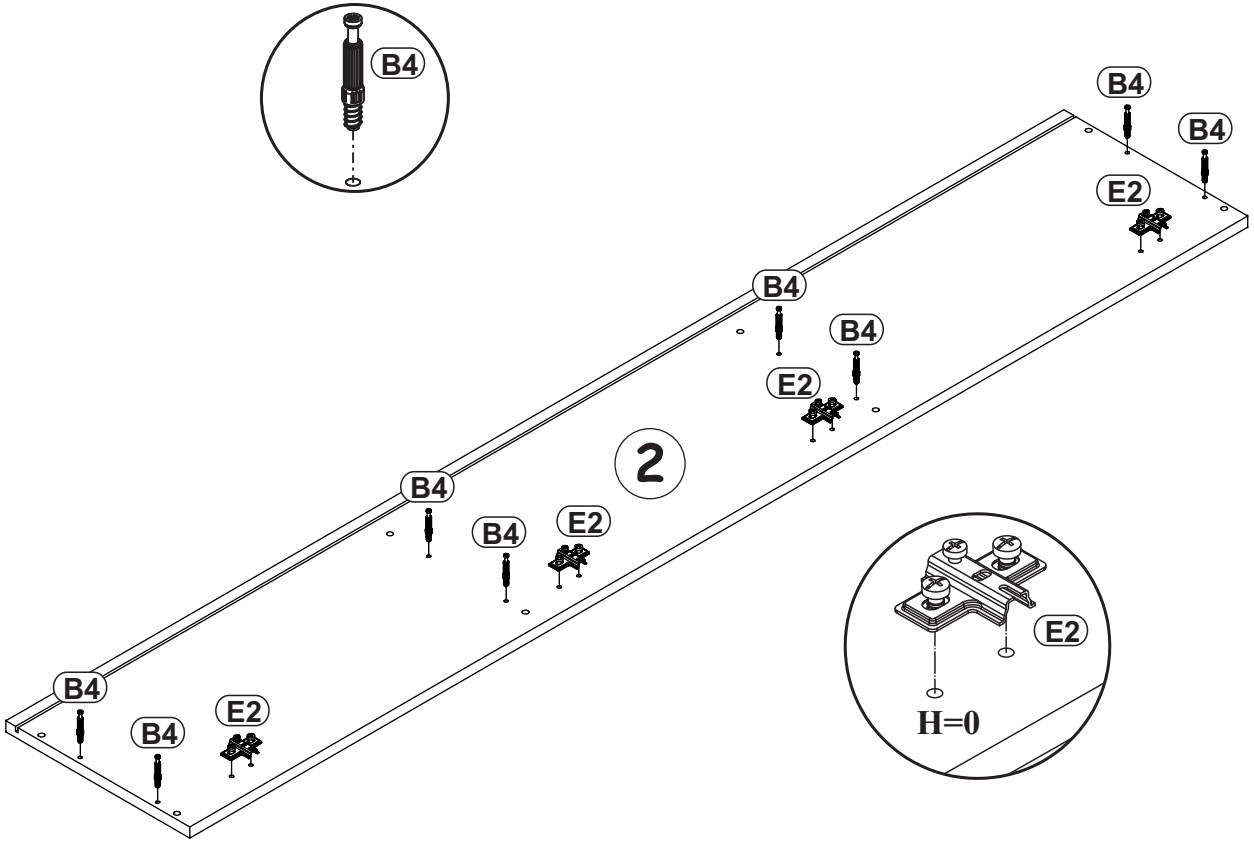
A1 x16  ø8x36	B4 x16 	B5 x16  Ø15x12	G5 x16 	ZR1 x4 	D6 x8  USØ3,5x30
E21 x4  Ø35 H=0	E2 x4  H=0	D10 x30  USØ3,5x13	T1 x1 	BO1 x2 	BP1 x2 
S1 x14 	G16 x4 	UP13 x4  UPØ3x16	KR2 x4 	G2 x1 	



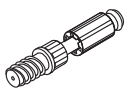
BLOX TYP 24

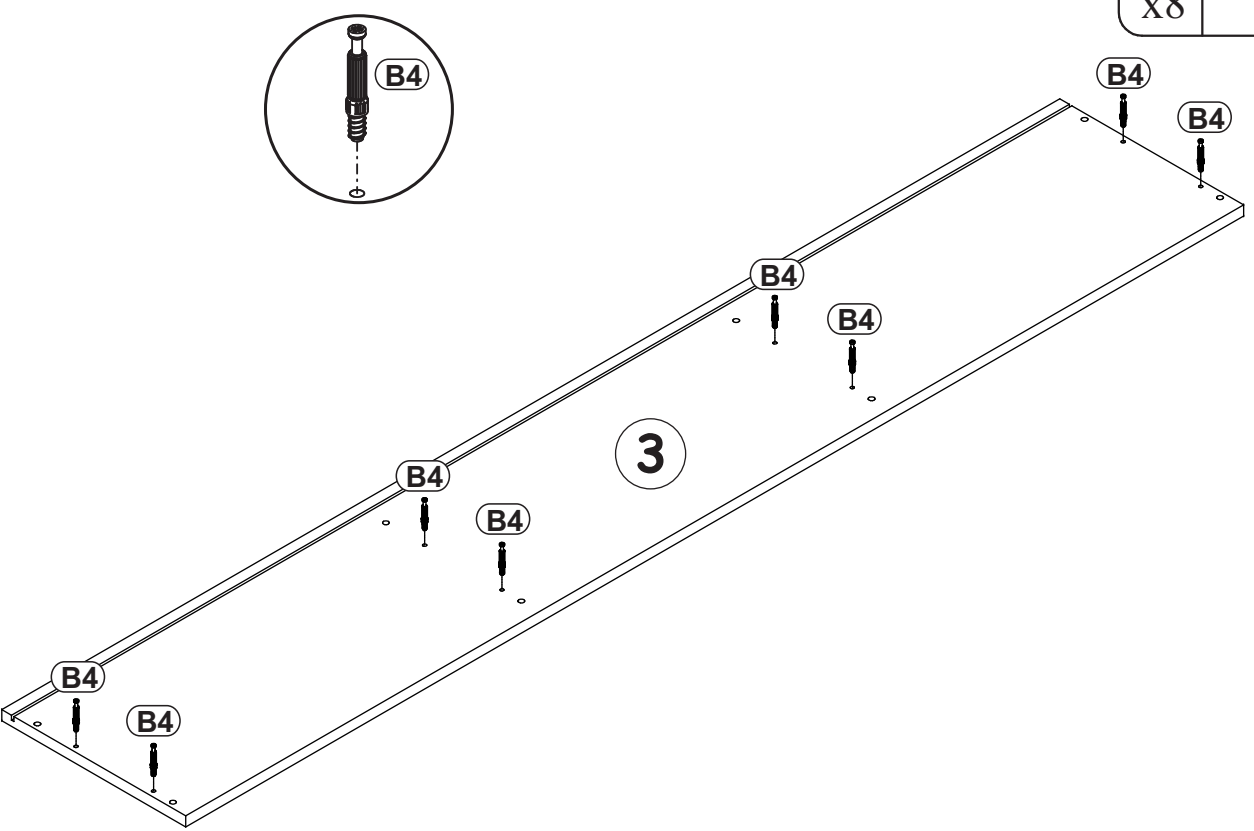
B4		E2	
x8		x4	H=0

1

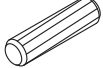



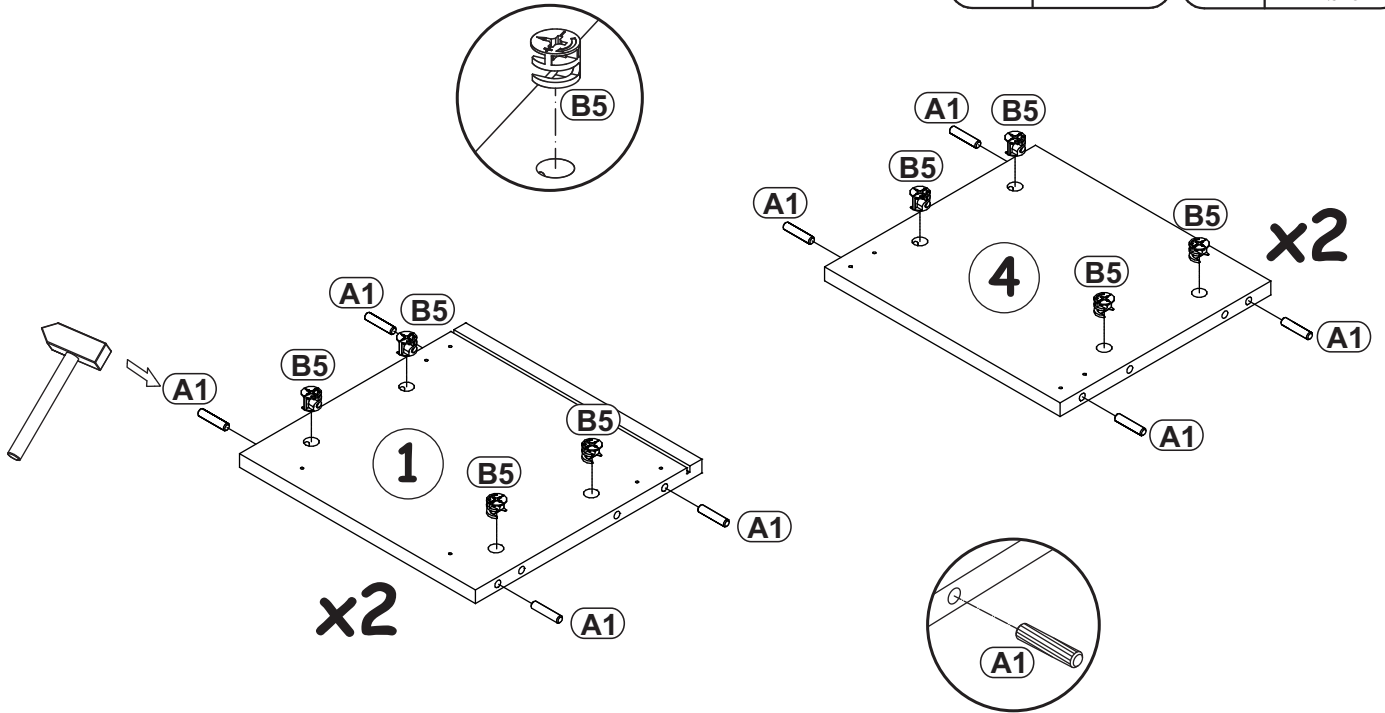
2

B4	
x8	

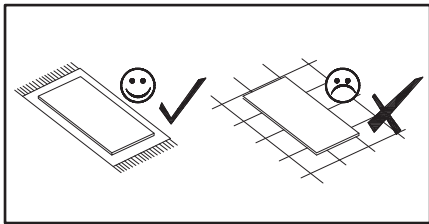




3

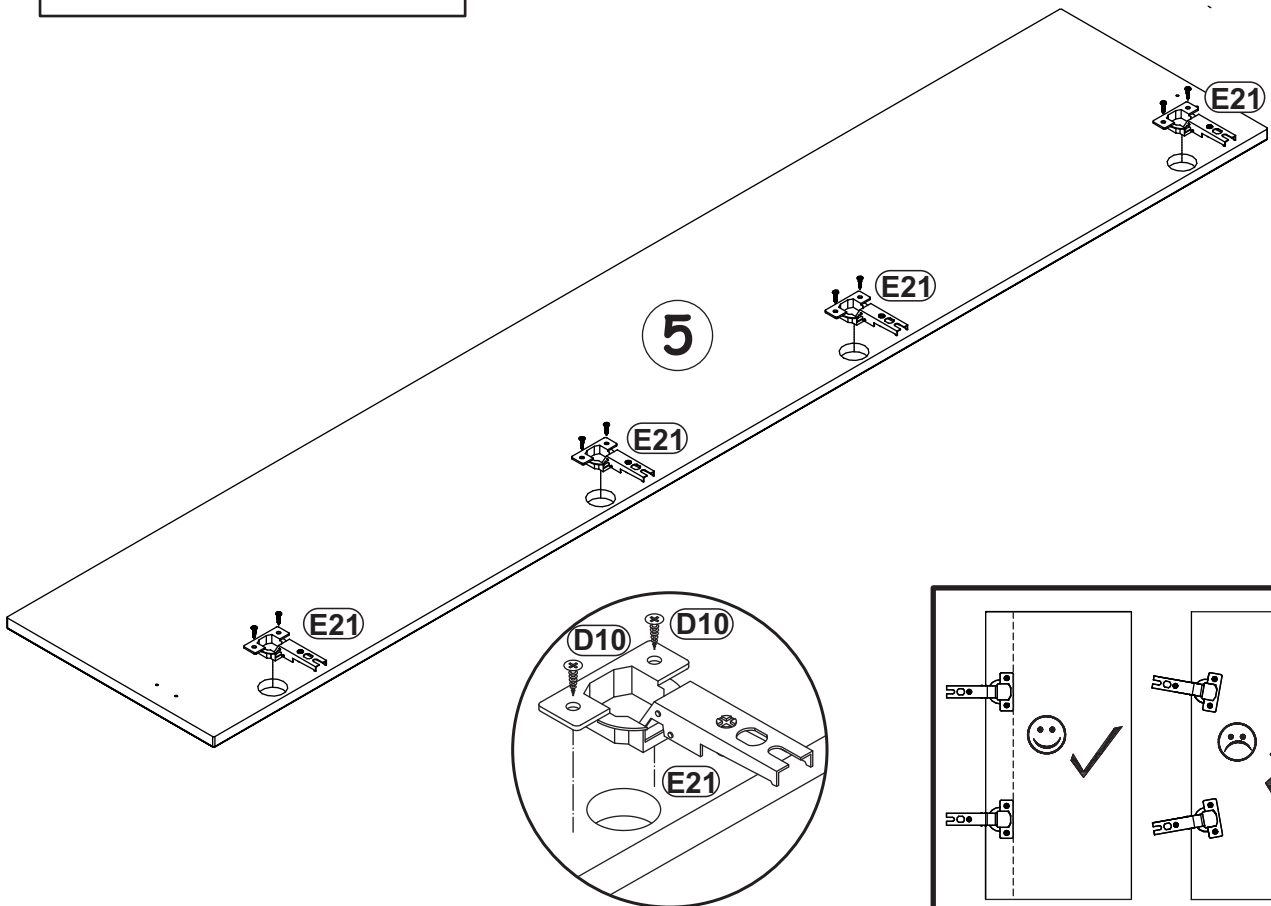
A1		B5	
x16	ø8x36	x16	Ø15x12



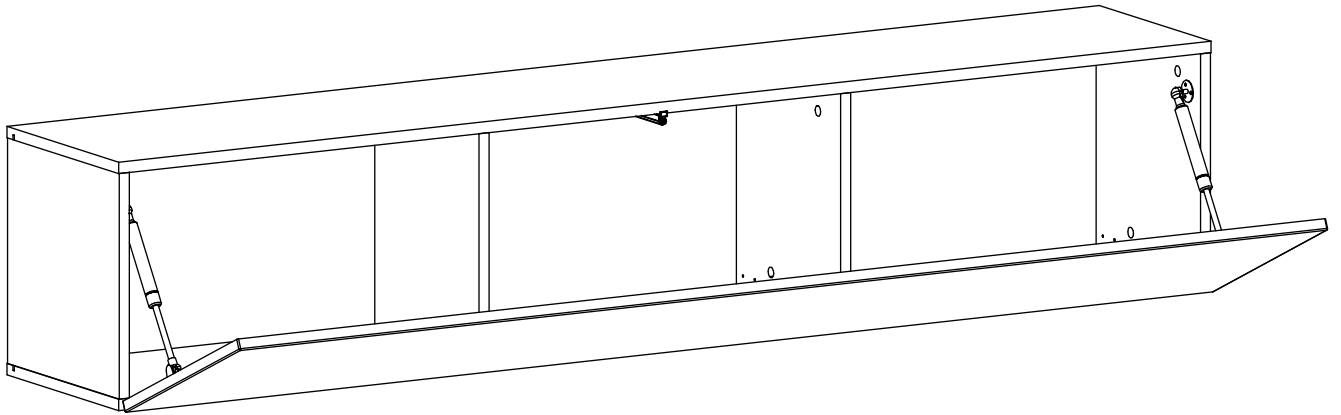
4



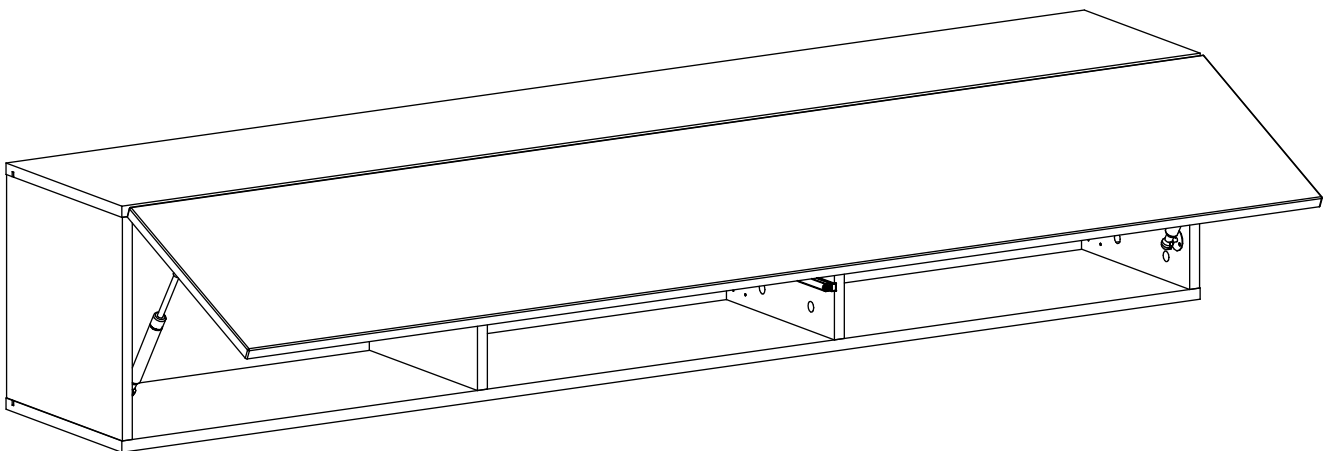
E21		D10	
x4	Ø35 H=0	x8	USØ3,5x13

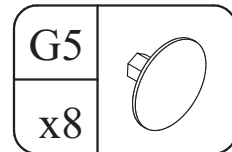


**5 - 11**

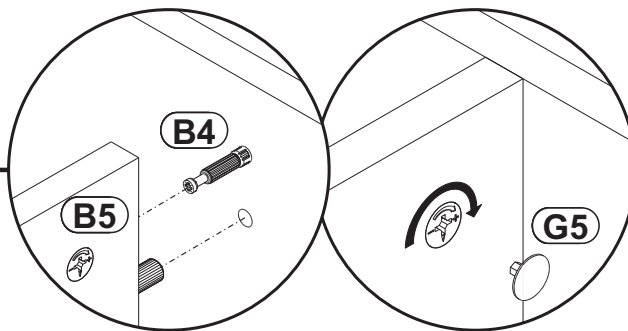
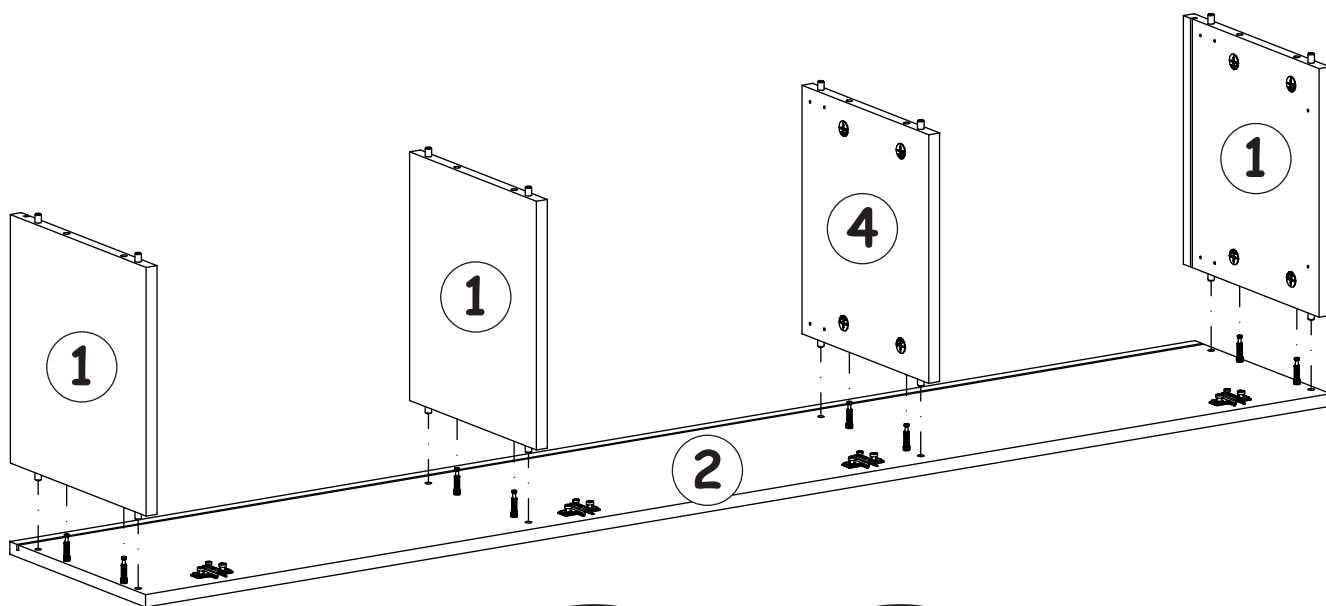
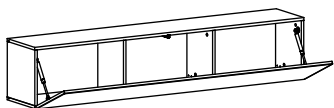


**12 - 19**

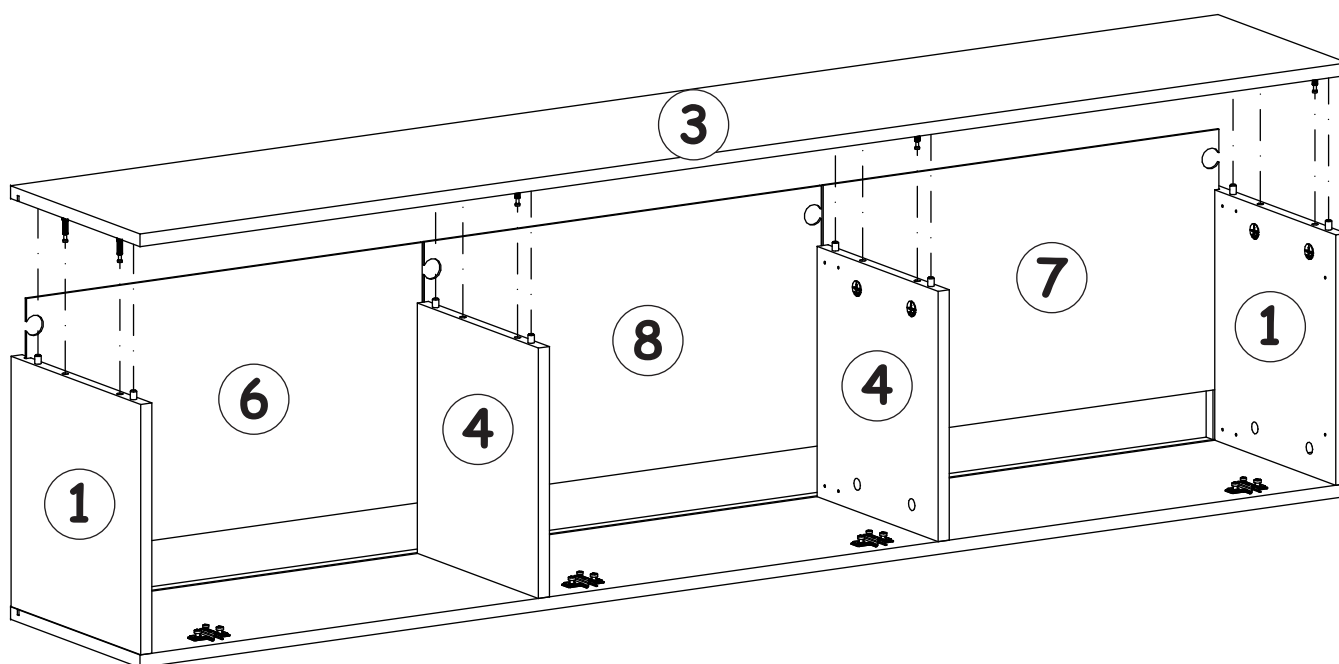
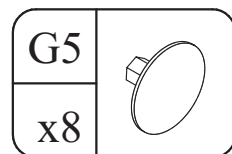




5

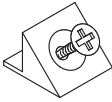
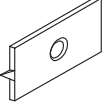
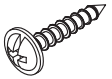


6

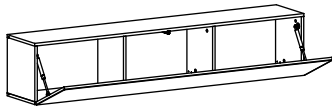




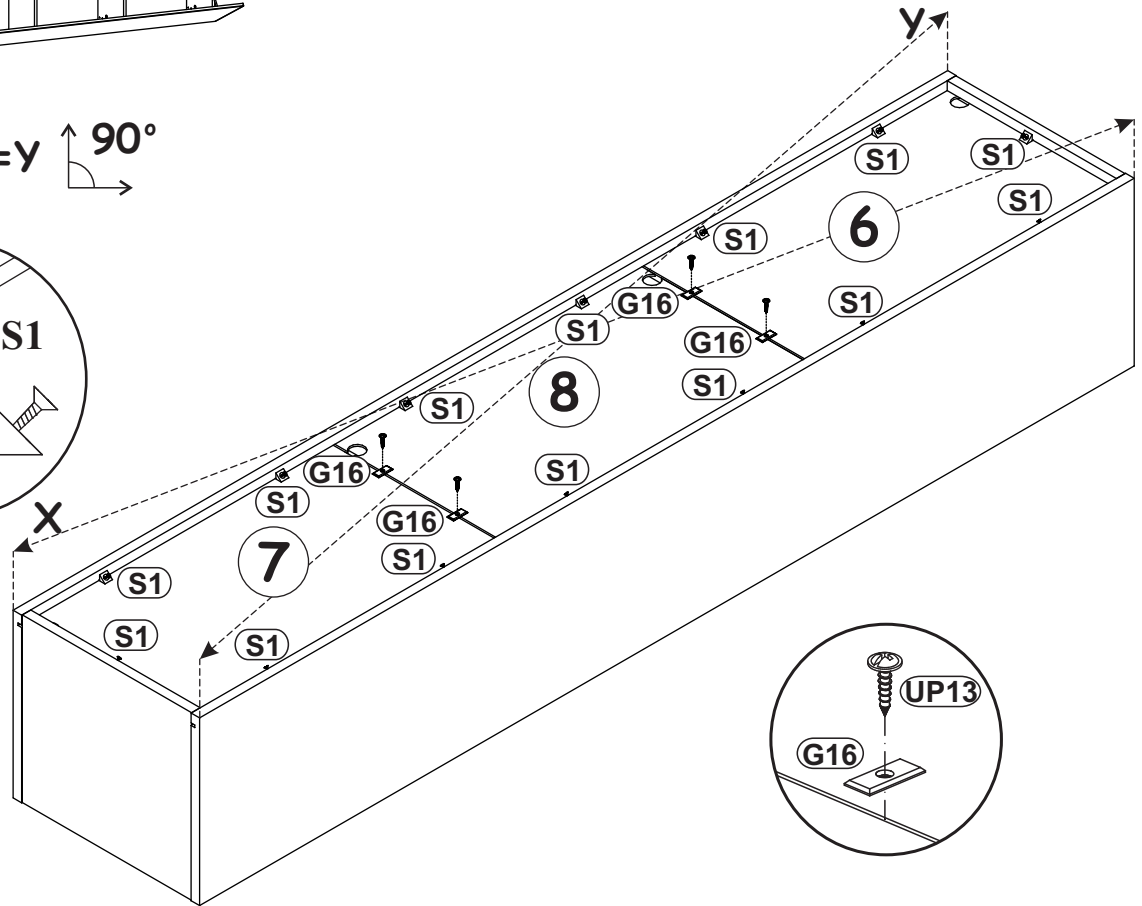
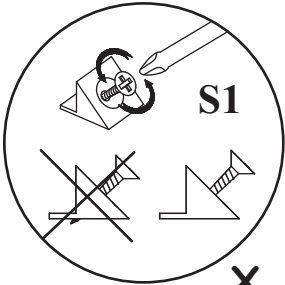
BLOX TYP 24

S1		G16		UP13	
x14		x4		x4	UPØ3x16

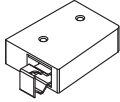

7

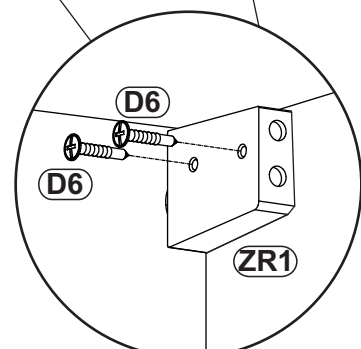
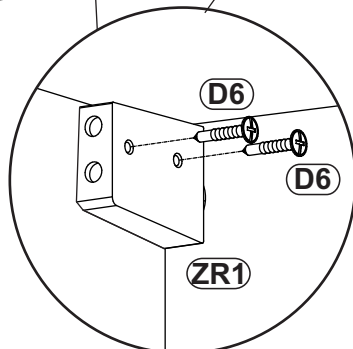
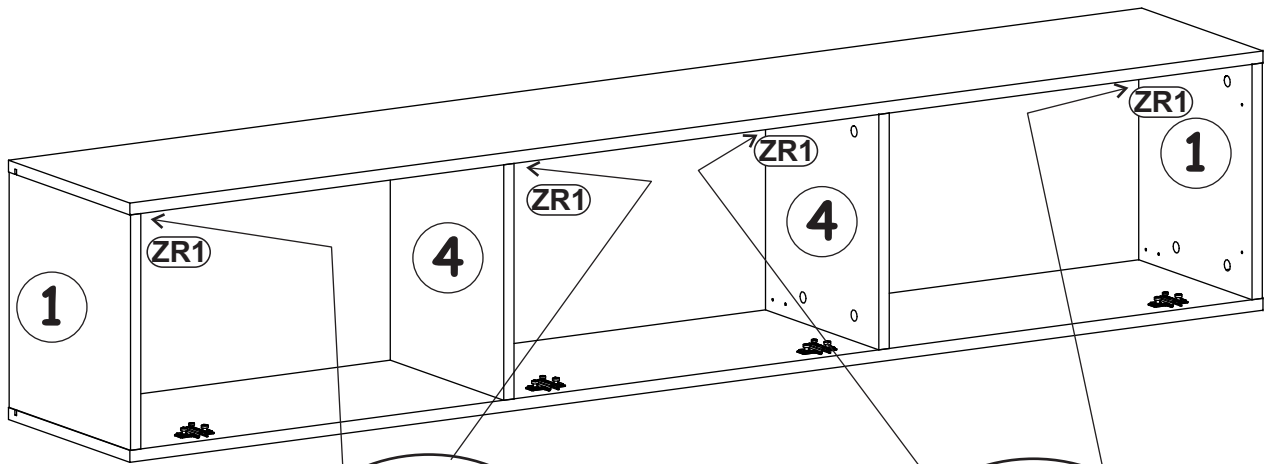


X=Y 90°

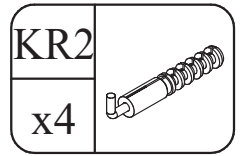


8

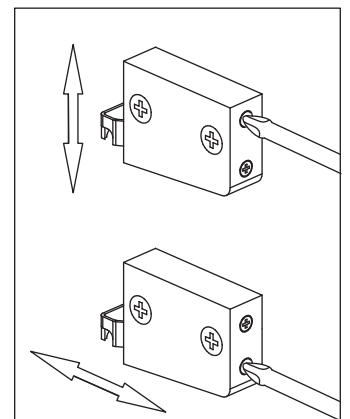
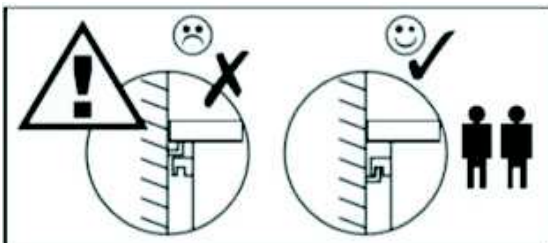
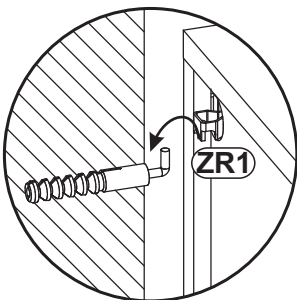
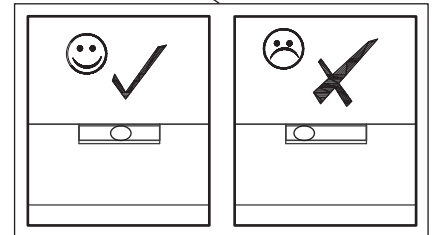
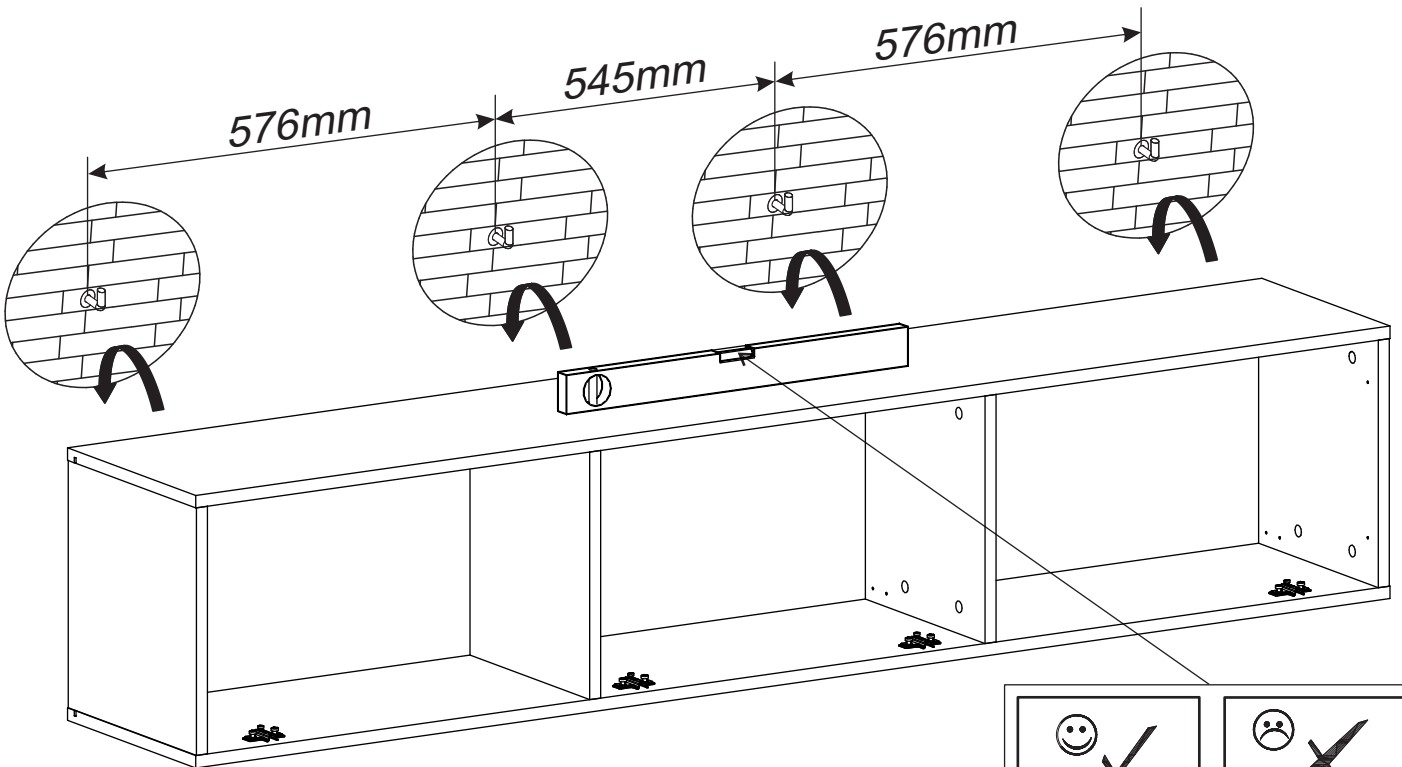
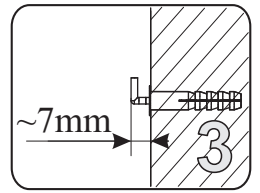
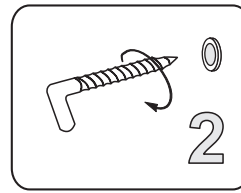
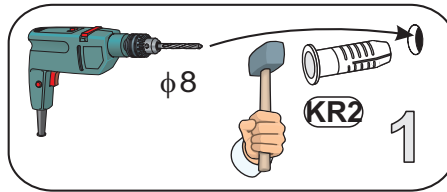
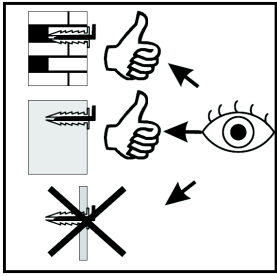
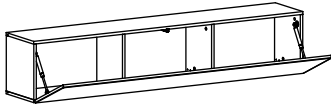
ZR1		D6	
x4		x8	USØ3,5x30



BLOX TYP 24

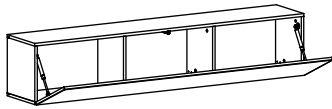


9



BLOX TYP 24

10

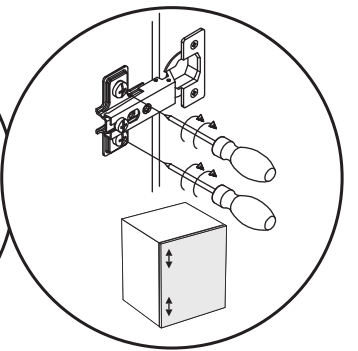
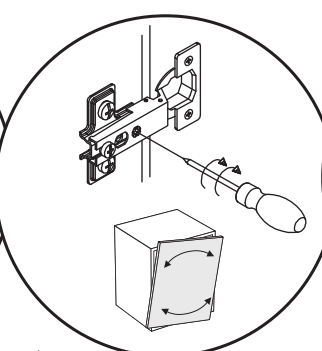
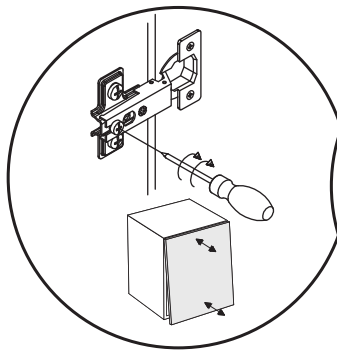
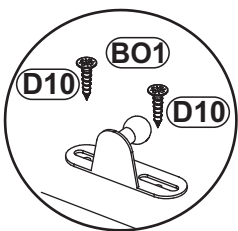
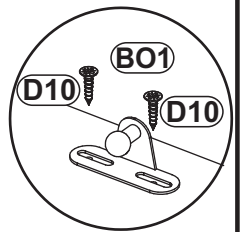
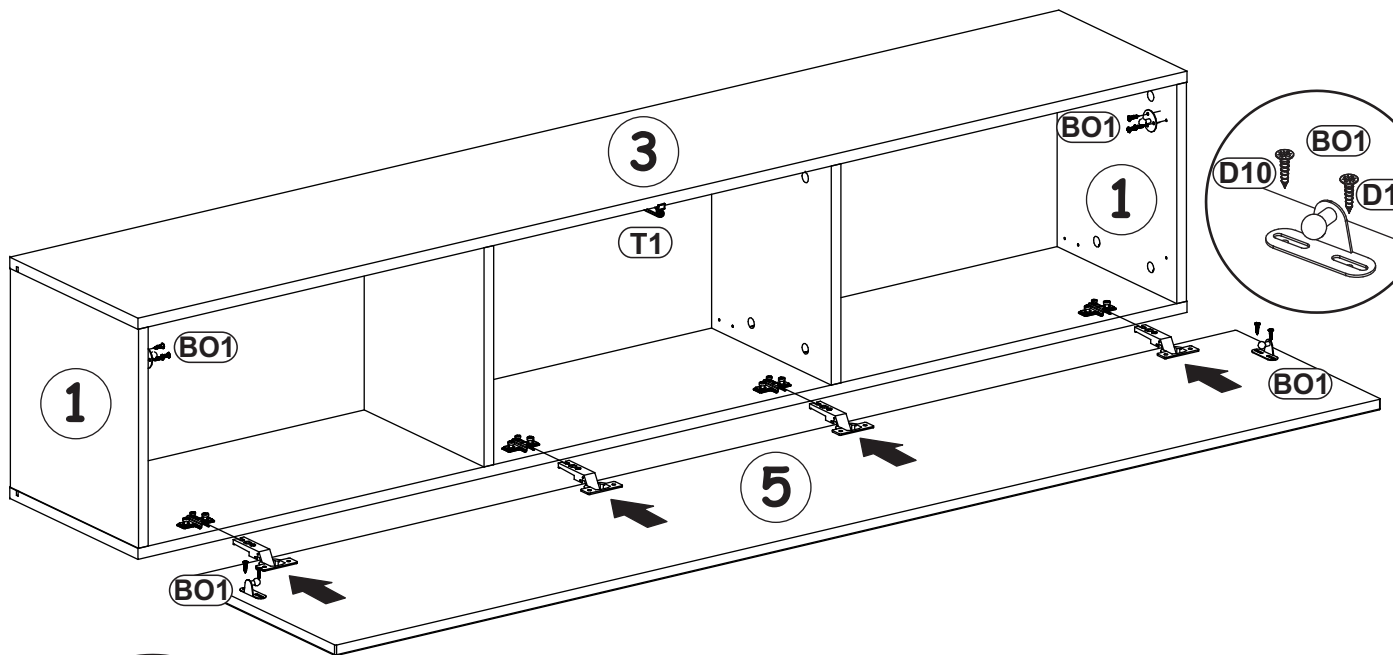
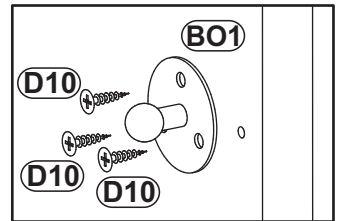
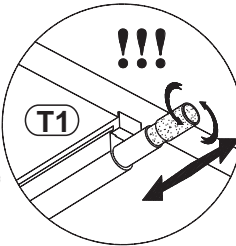
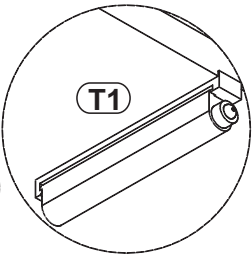
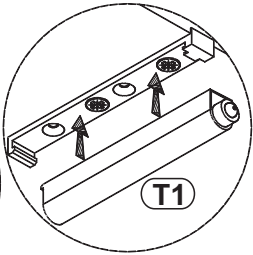
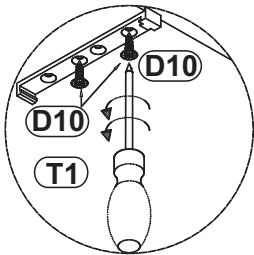


D10	
x12	USØ3,5x13

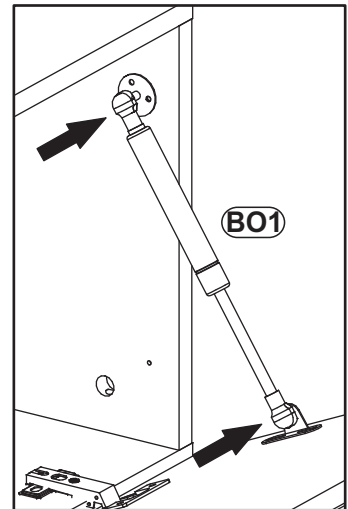
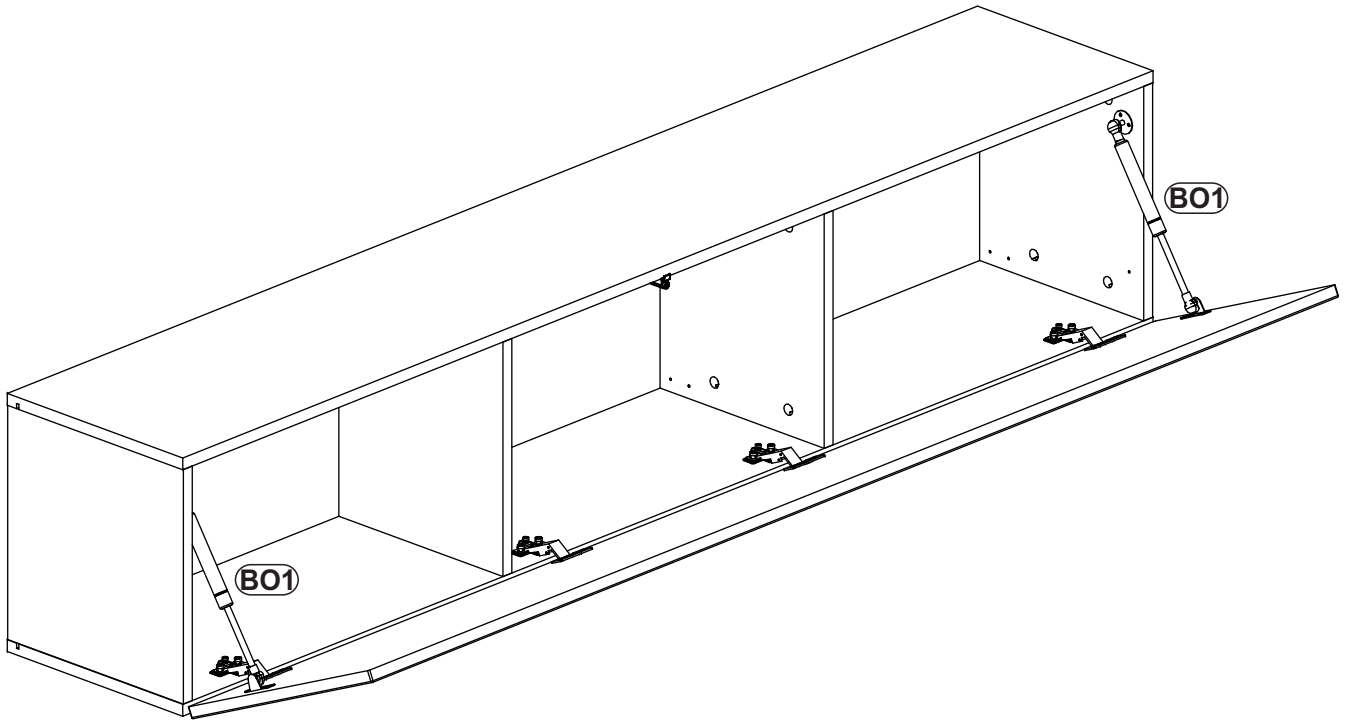
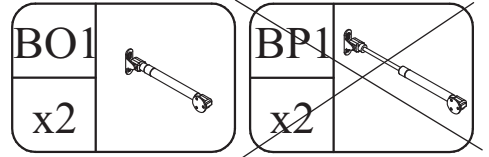
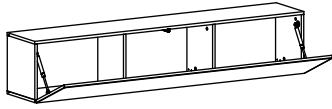
T1	
x1	

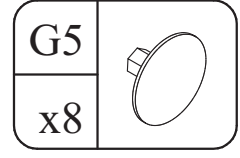
BO1	
x2	

<del>BP1</del>	<del></del>
<del>x2</del>	

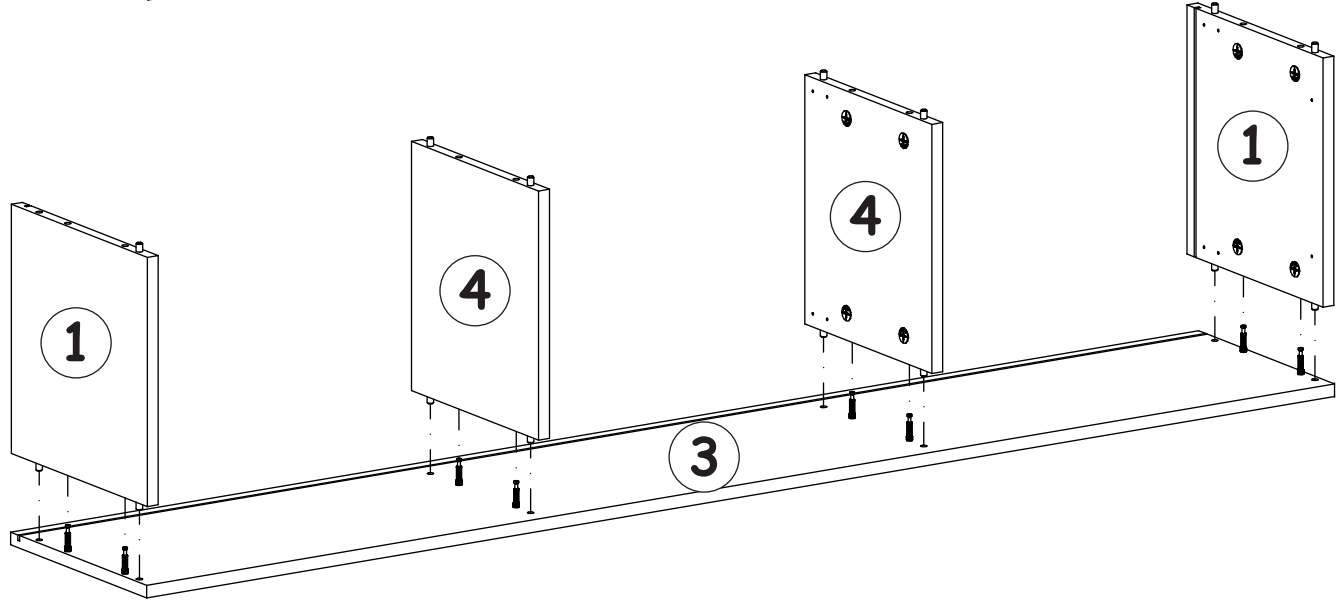
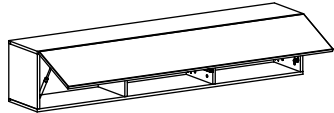


11

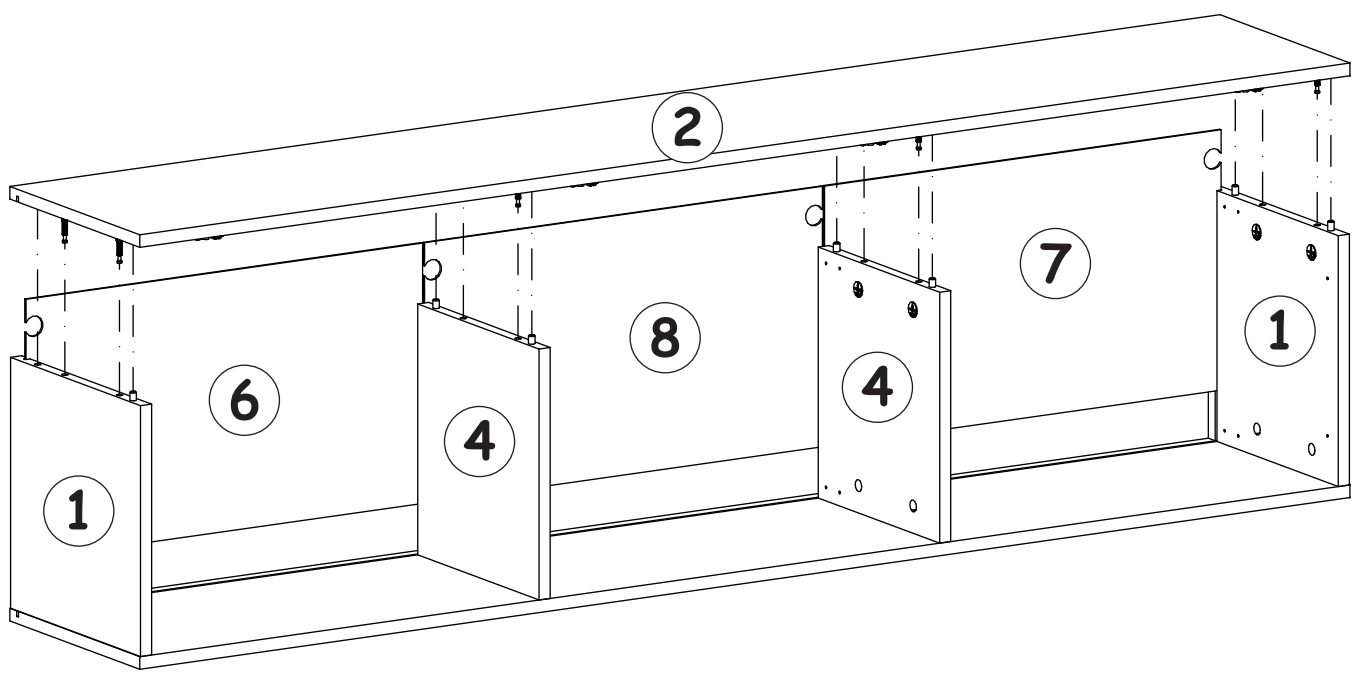
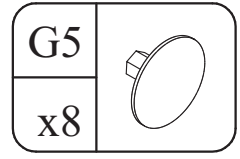
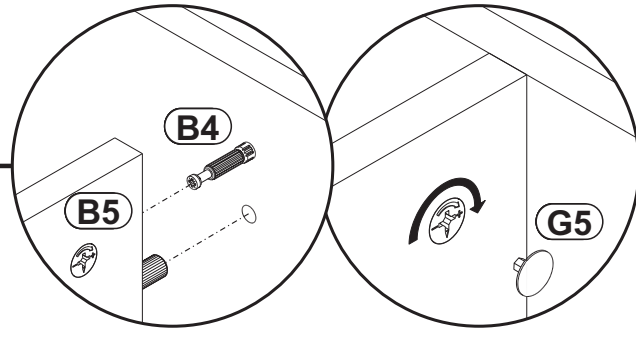




12

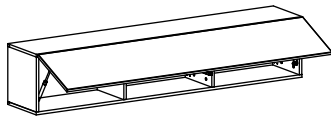


13



BLOX TYP 24

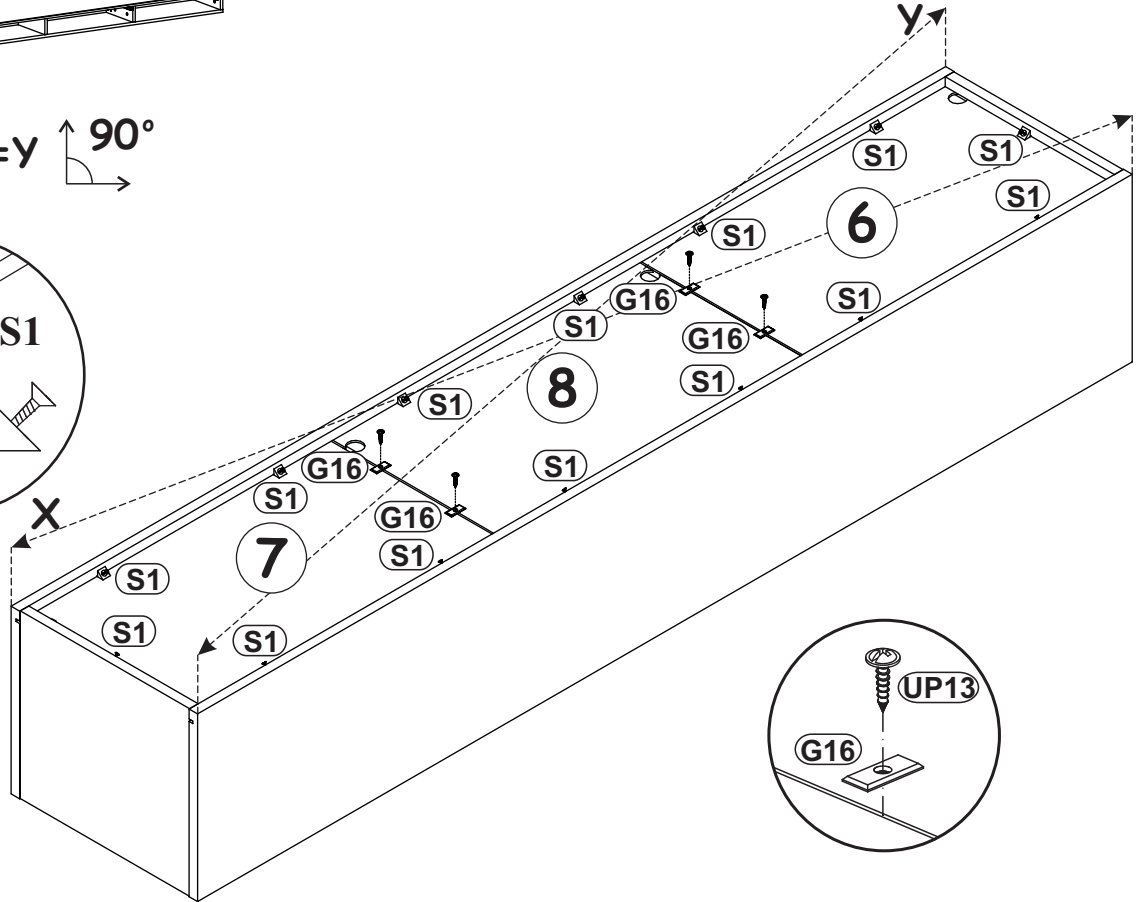
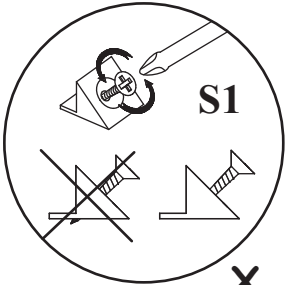
14



S1		G16		UP13	
x14		x4		x4	UPØ3x16

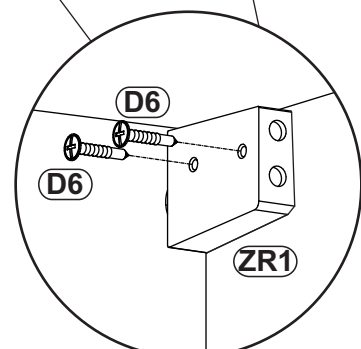
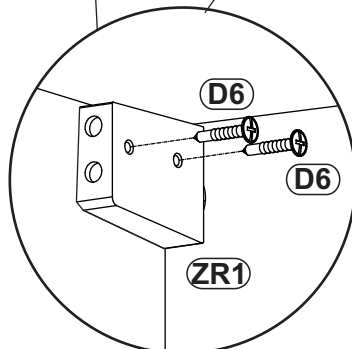
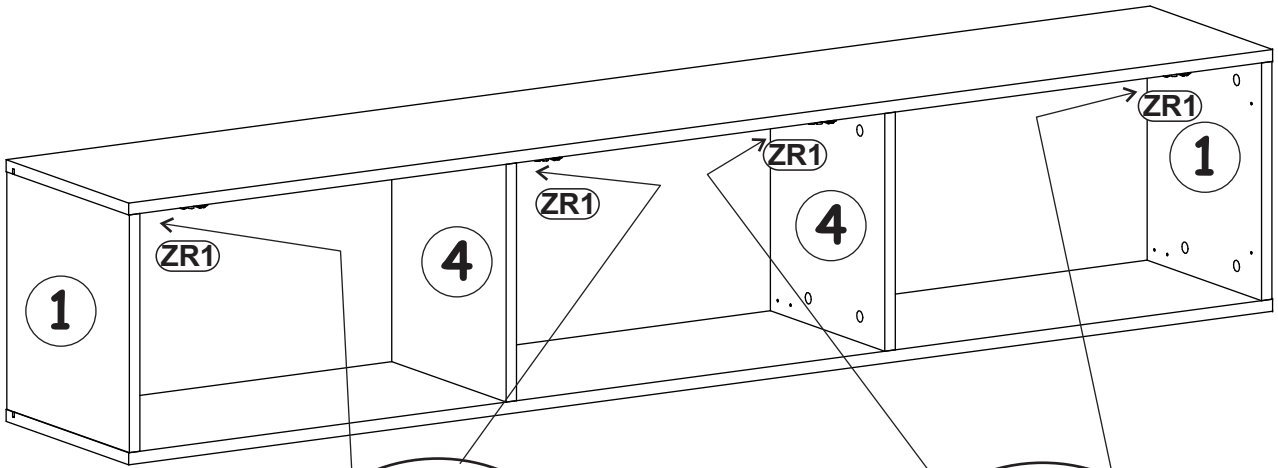


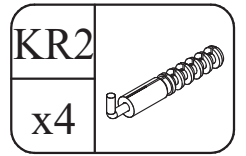
X=Y 90°



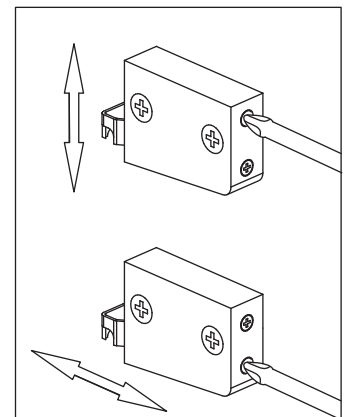
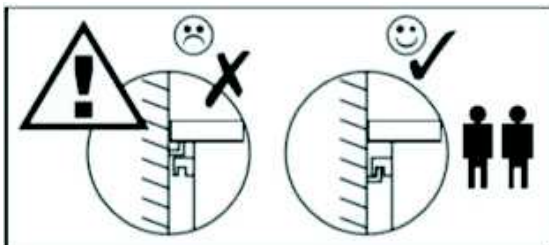
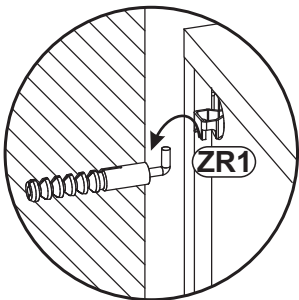
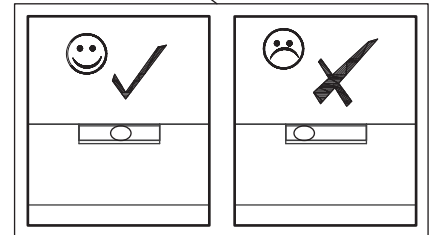
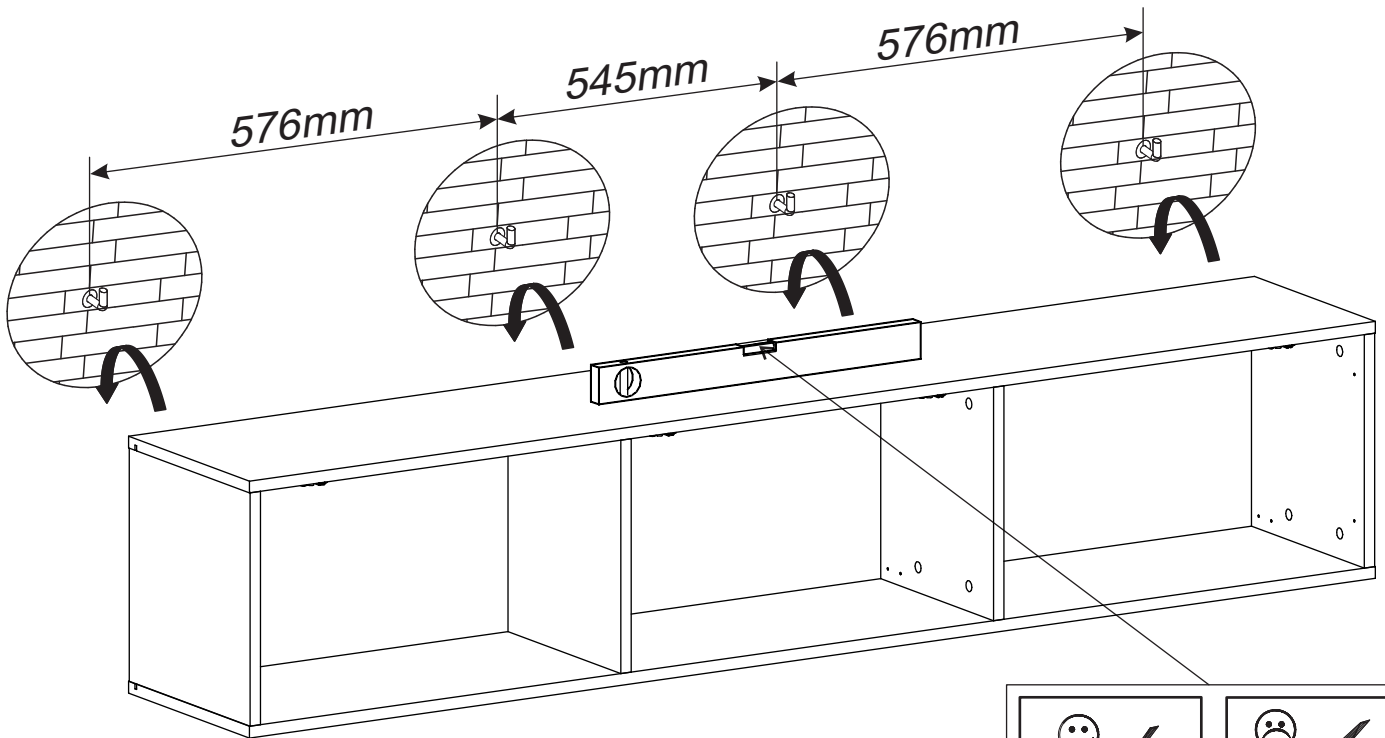
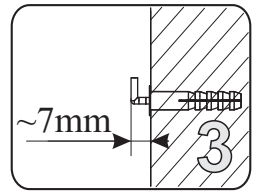
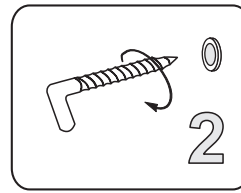
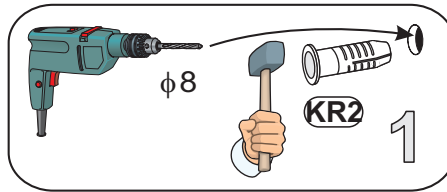
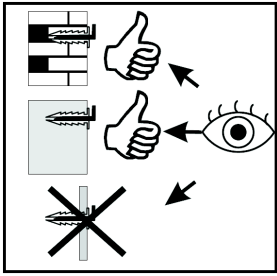
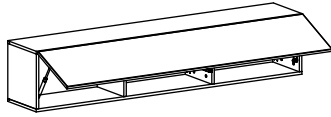
15

ZR1		D6	
x4		x8	USØ3,5x30



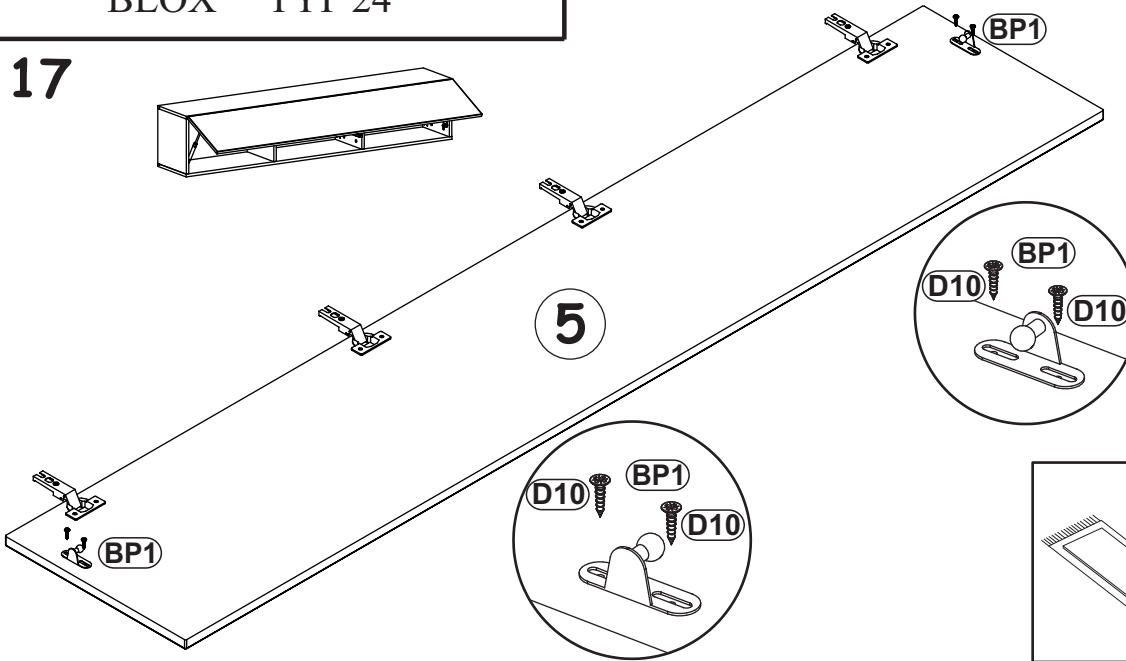


16



BLOX TYP 24

17

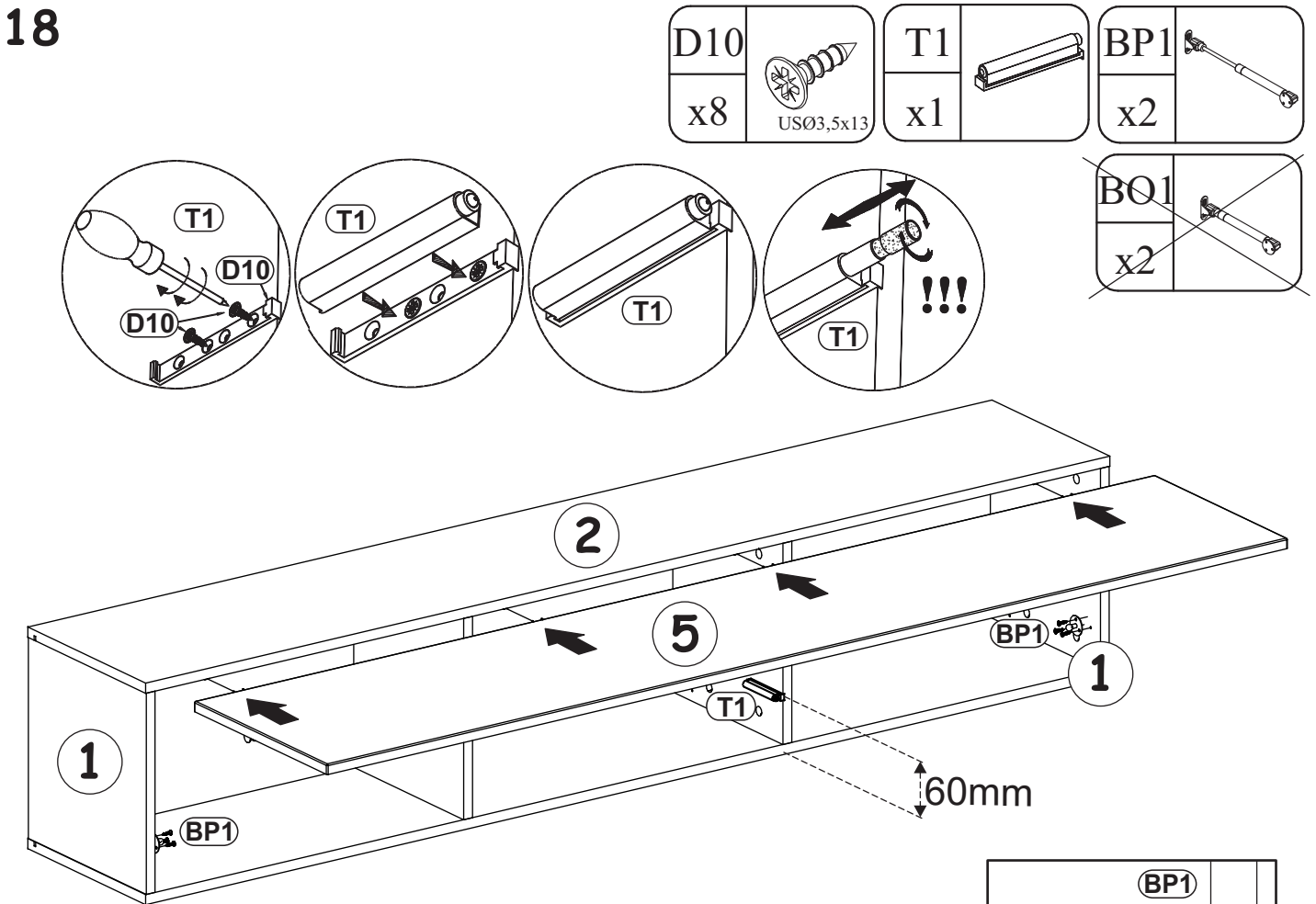


D10	
x4	US03,5x13

BP1	
x2	

<del>BQ1</del>	<del></del>
<del>x2</del>	

18

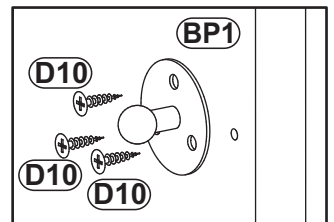
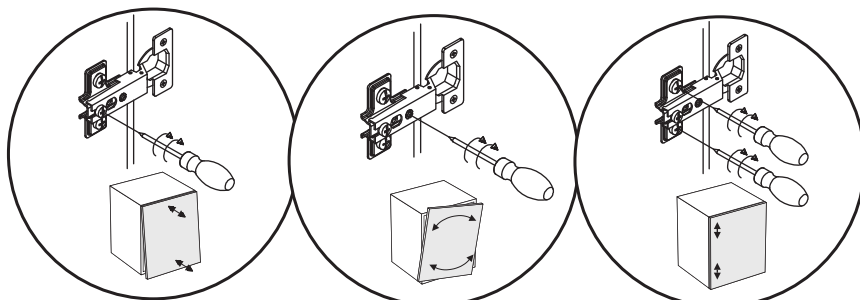


D10	
x8	US03,5x13

T1	
x1	

BP1	
x2	

<del>BQ1</del>	<del></del>
<del>x2</del>	





19

