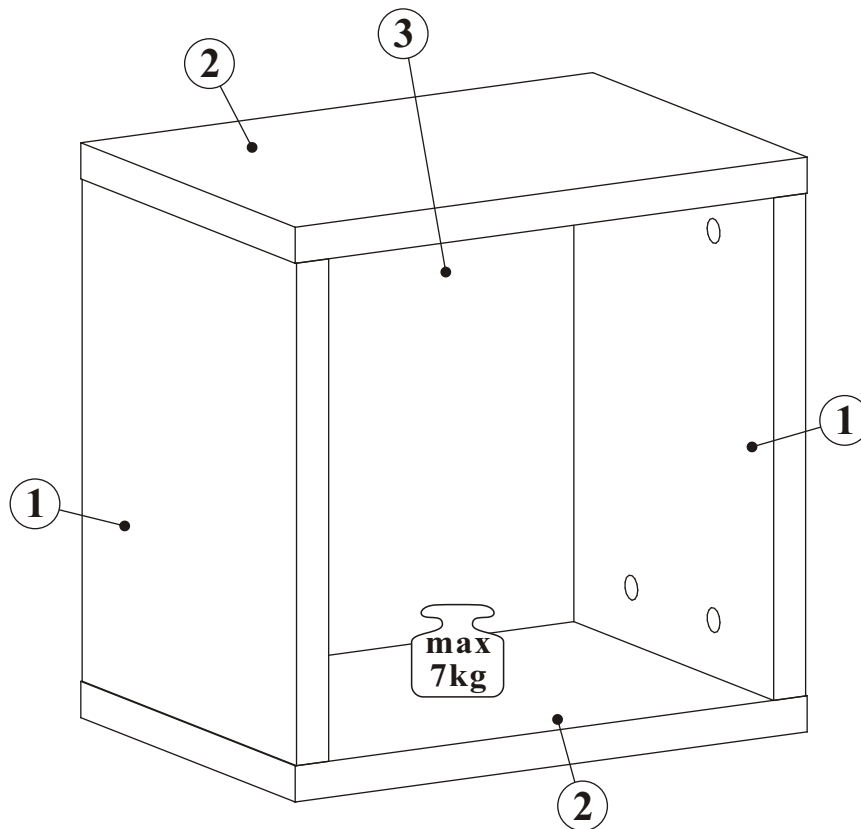
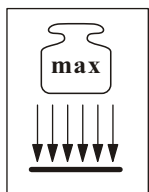
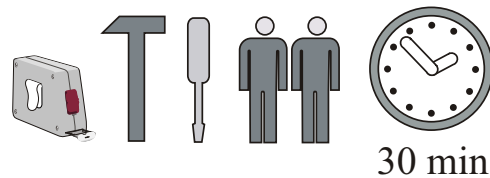


# BLOX TYP 10



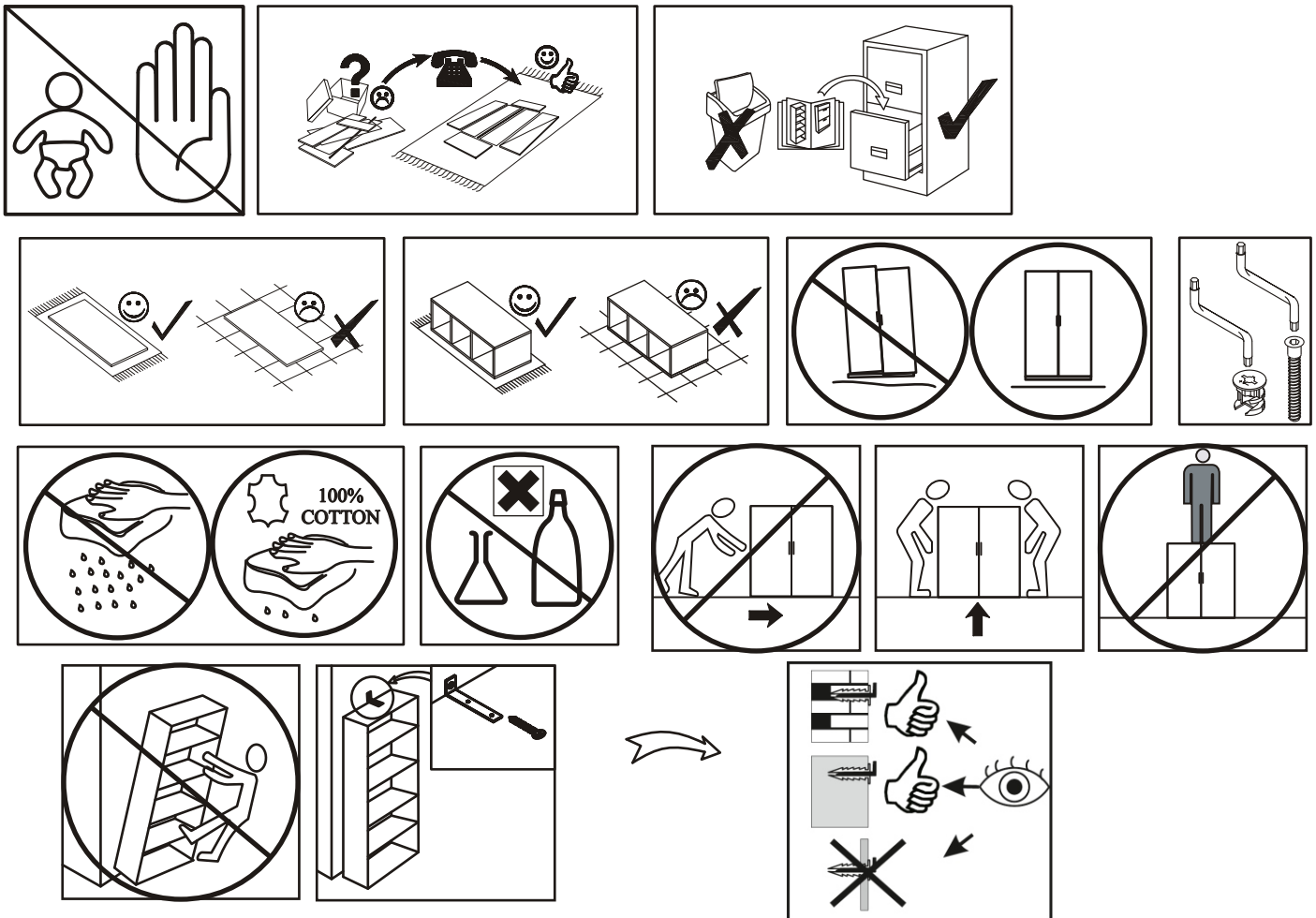
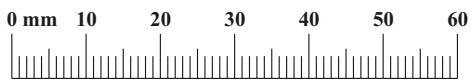
NO	Dim.		Col.-No	Qty
1	306	250	1	2
2	352	250	1	2
3	306	306	1	1



30 min

# BLOX TYP 10

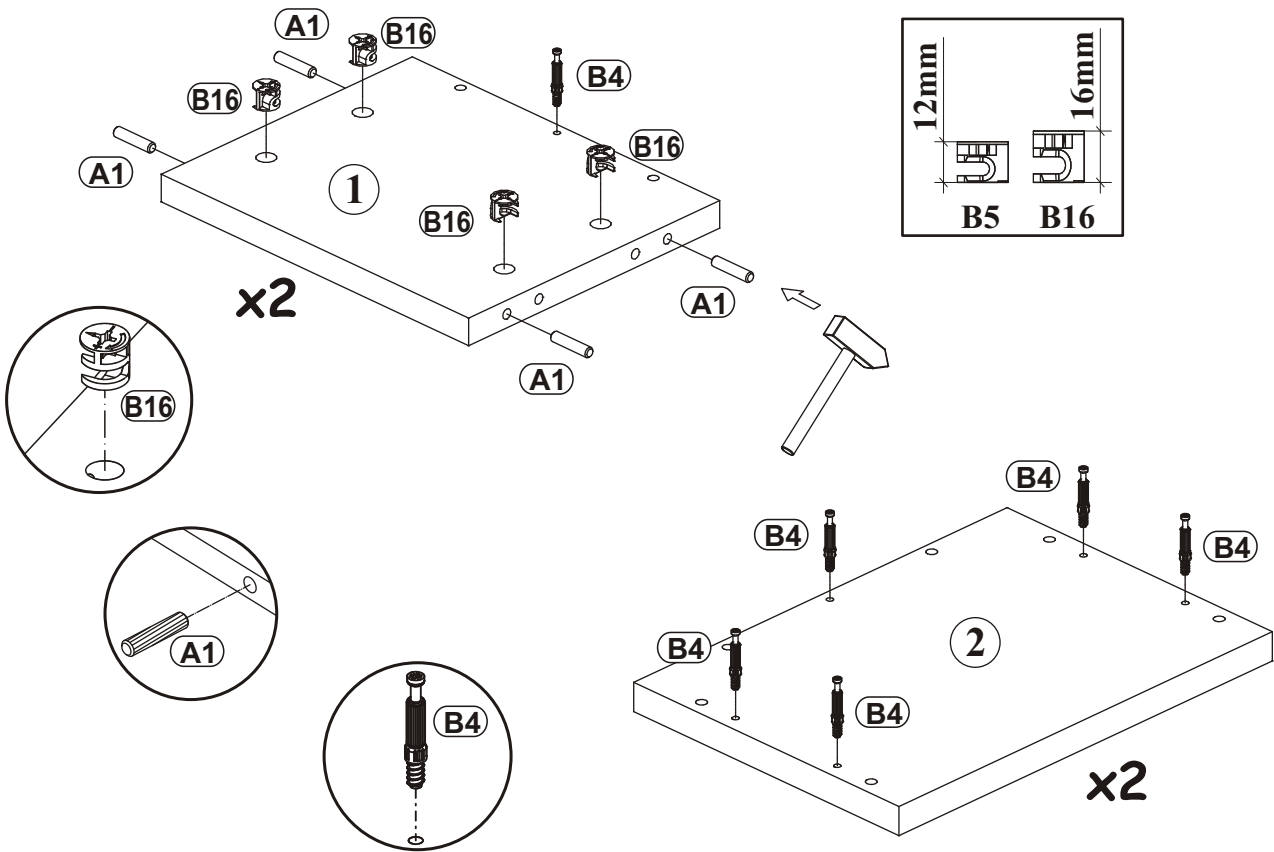
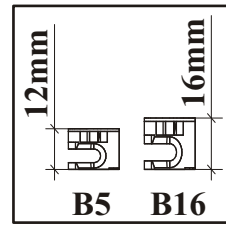
A1 x16 Ø8x36	B4 x12	B5 x4 Ø15x12	B16 x8 Ø15x16	G5 x12	ZM1 x2
			D20 x2 ESØ6,3x9,5	KR2 x2	G2 x1



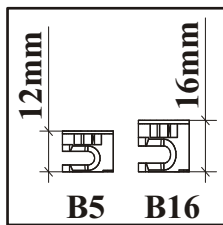
# BLOX TYP 10

1

B4		B16		A1	
x12		x8	Ø15x16	x8	ø8x36

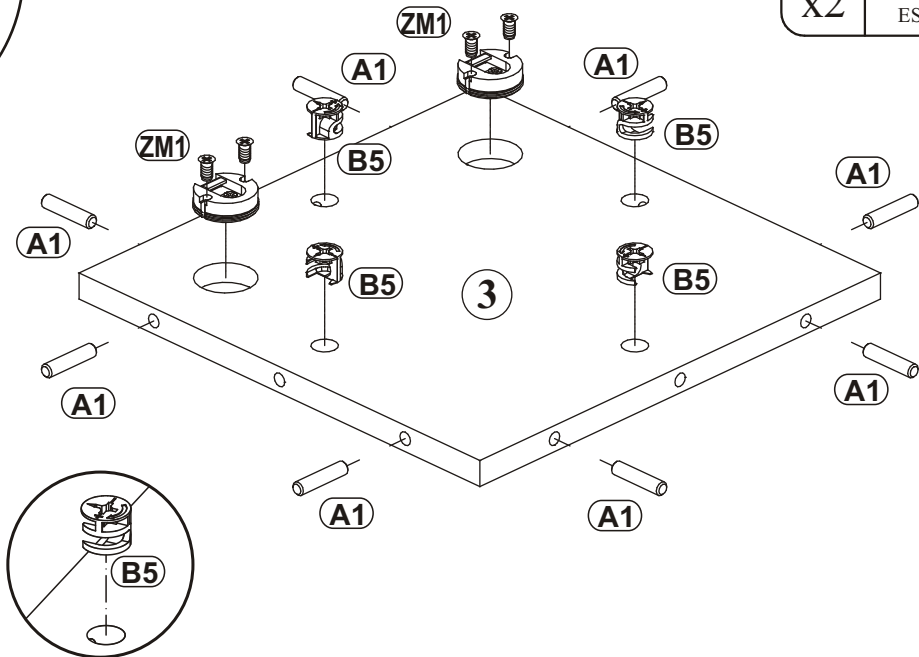
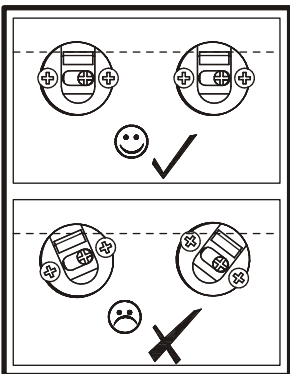
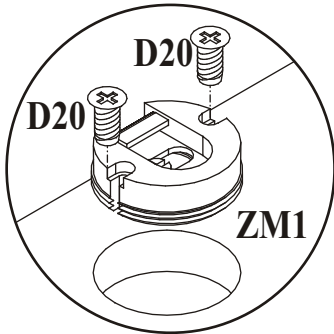


2

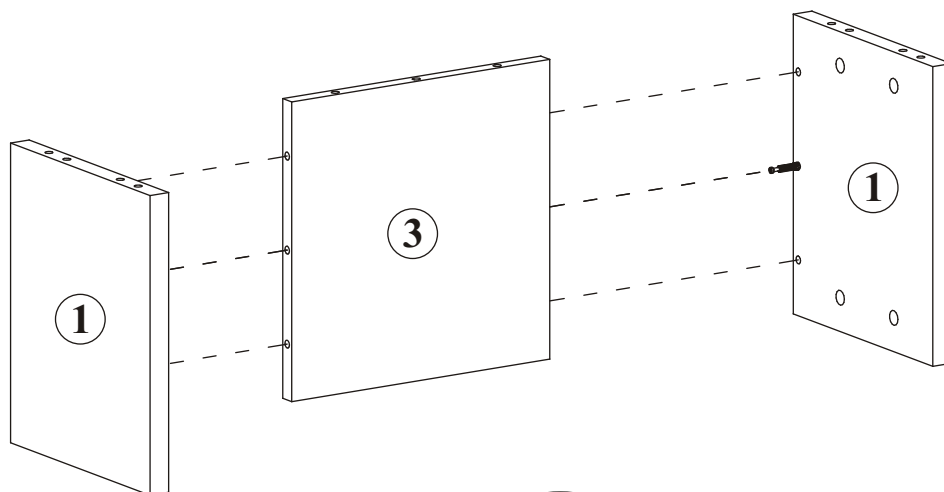
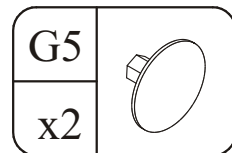


A1		B5		ZM1	
x8	ø8x36	x4	Ø15x12	x2	

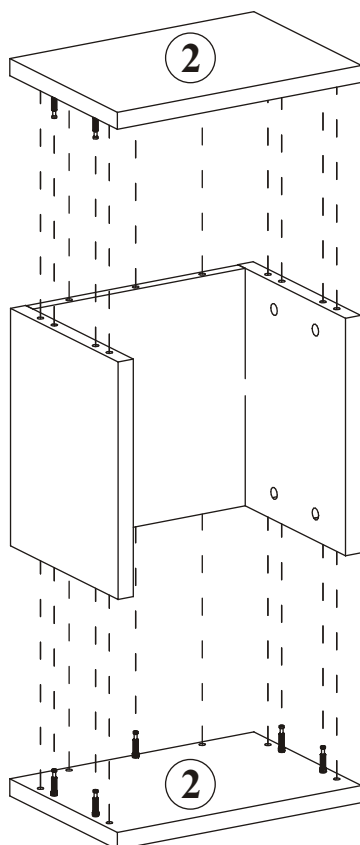
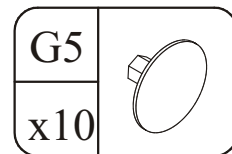
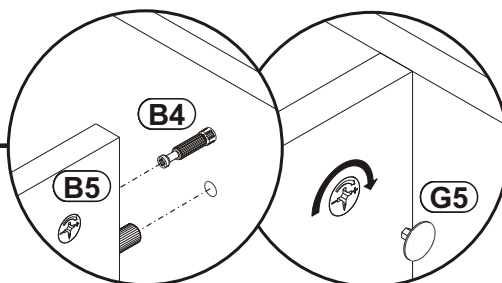
D20	
x2	ESØ6,3x9,5



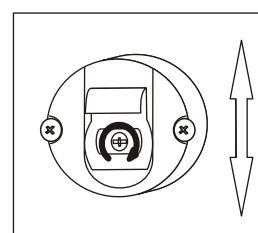
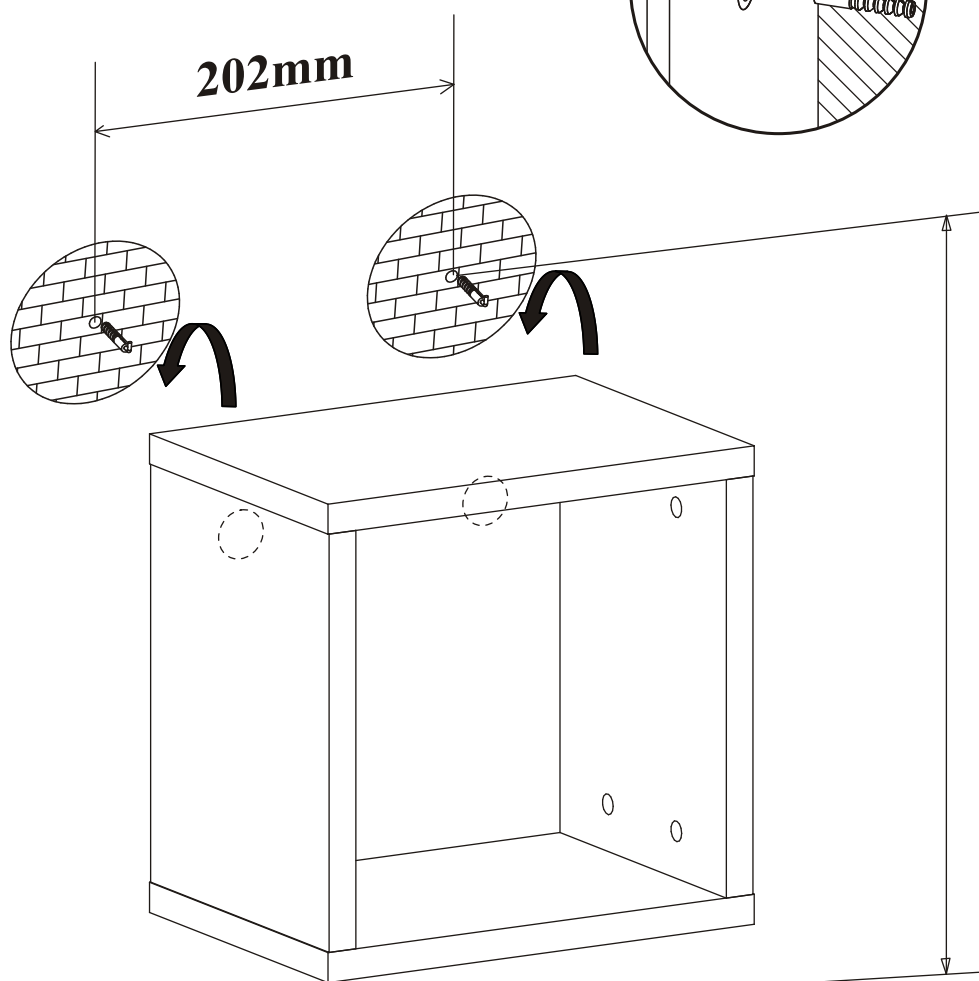
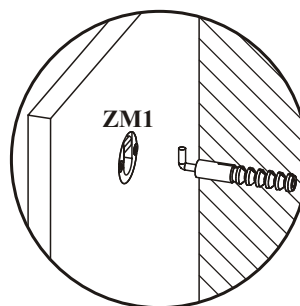
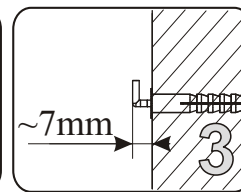
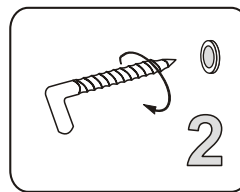
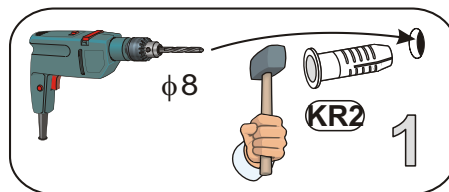
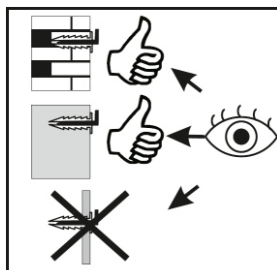
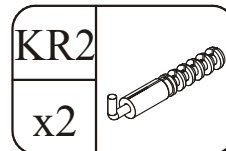
3



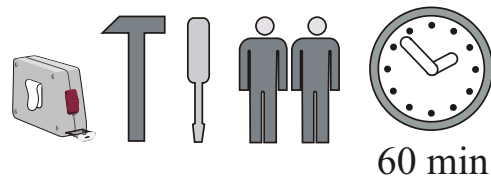
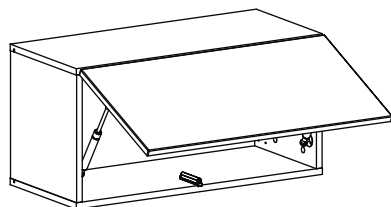
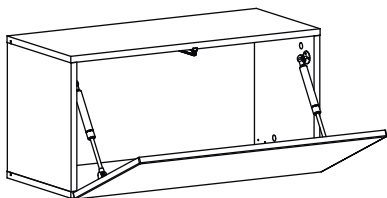
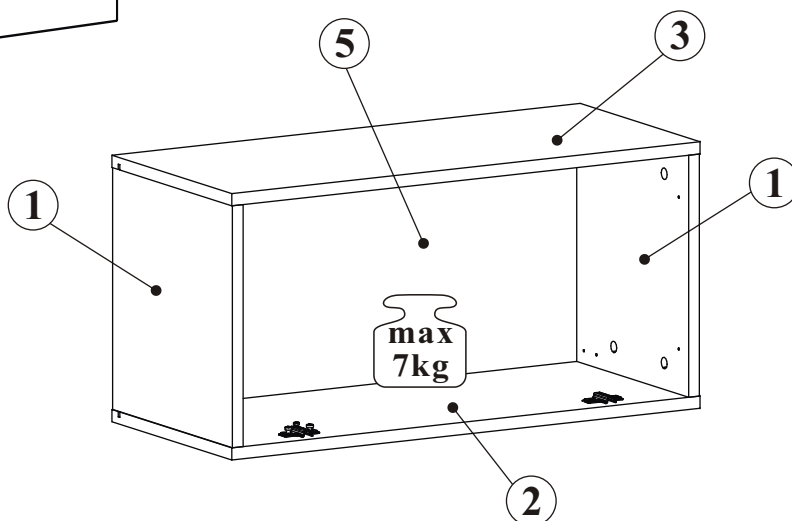
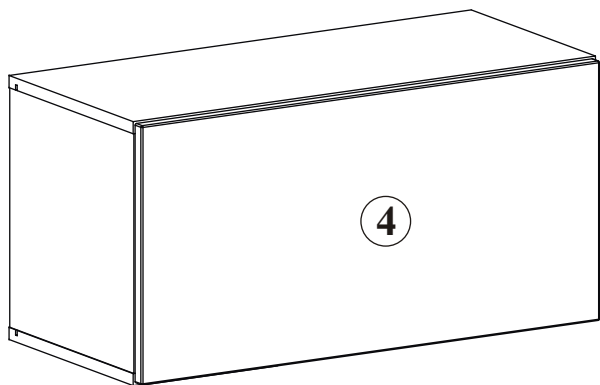
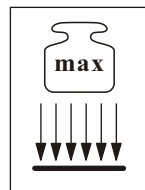
4



5



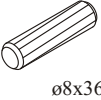
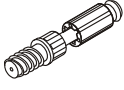

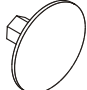
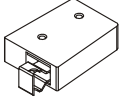

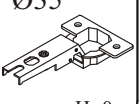
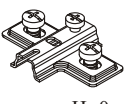

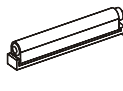

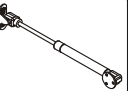
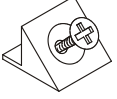
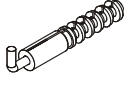

# BLOX TYP 21

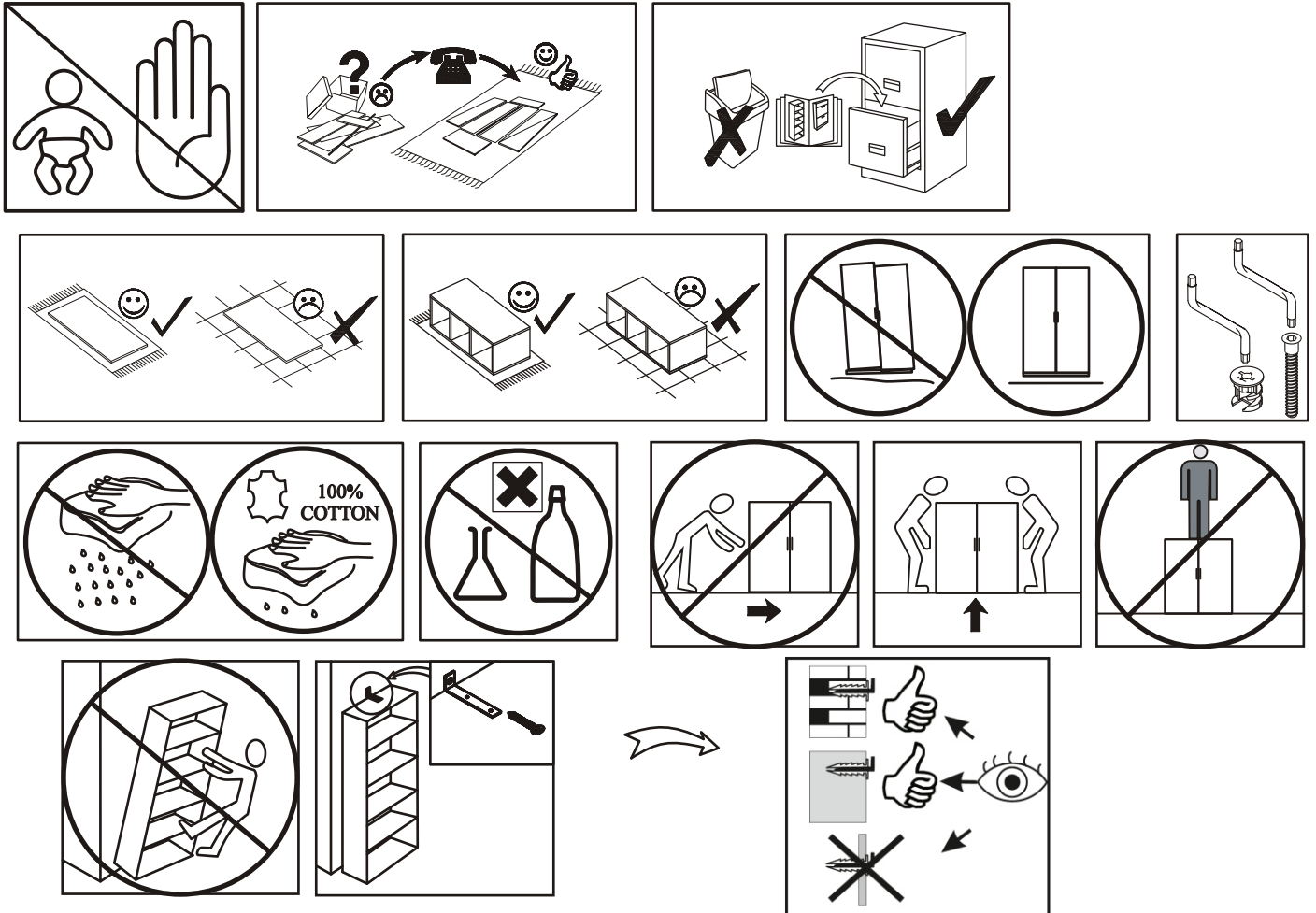
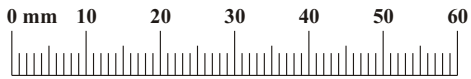


60 min

NO	Dim.		Col.-No	Qty
1	317	304	1	2
2	699	304	1	1
3	699	304	1	1
4	693	343	1	1
5	329	677	1	1

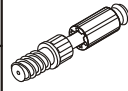
# BLOX TYP 21

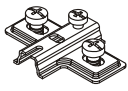
A1 x8  ø8x36	B4 x8 	B5 x8  Ø15x12	G5 x8 	ZR1 x2 	D6 x4  USØ3,5x30
E21 x2 Ø35  H=0	E2 x2  H=0	D10 x26  USØ3,5x13	T1 x1 	BO1 x2 	BP1 x2 
S1 x6 	KR2 x2 	G2 x1 			

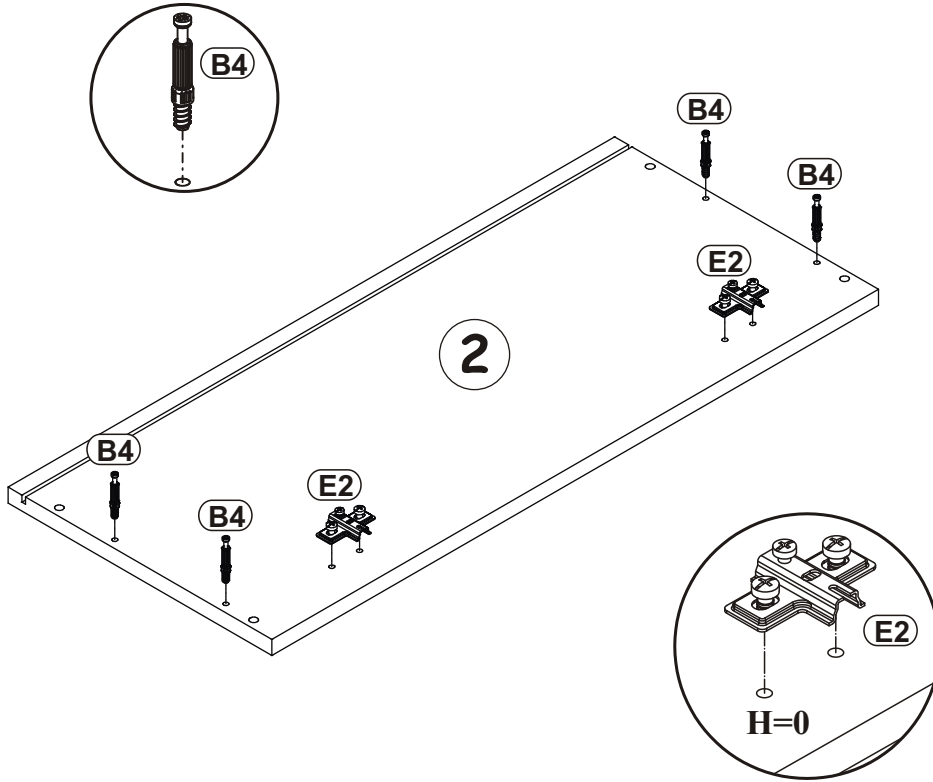


BLOX TYP 21

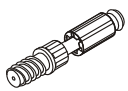
1

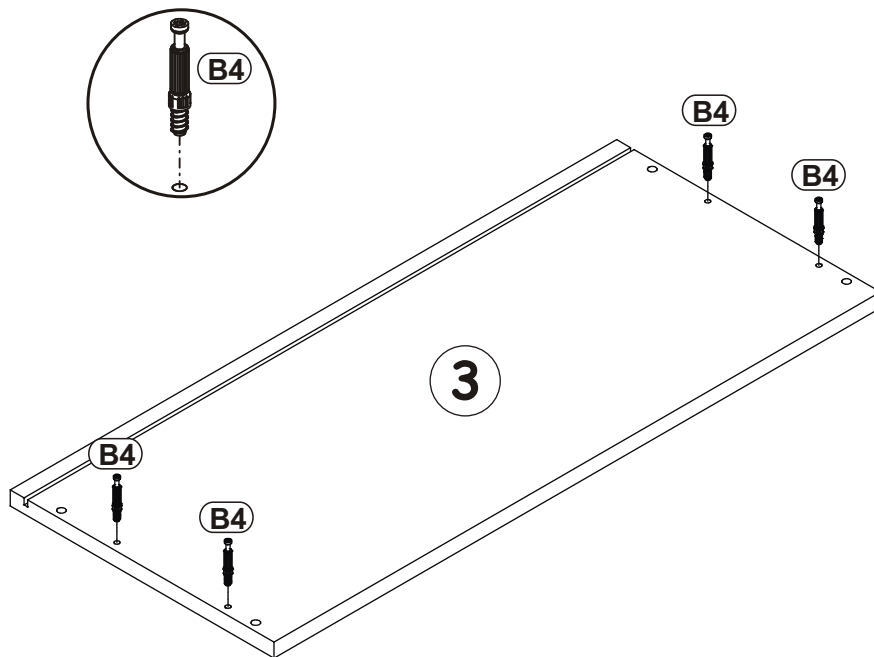
B4	
x4	

E2	
x2	H=0



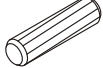

2

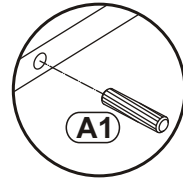
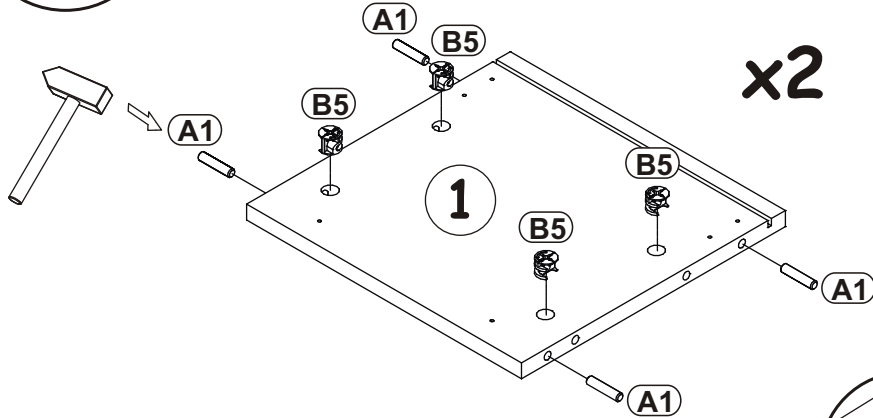
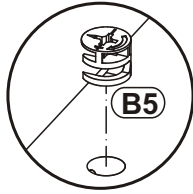
B4	
x4	



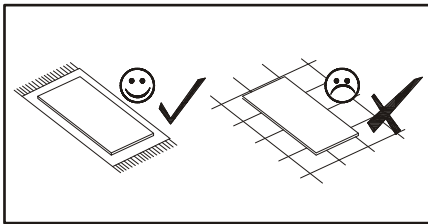


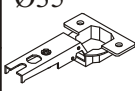
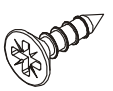
3

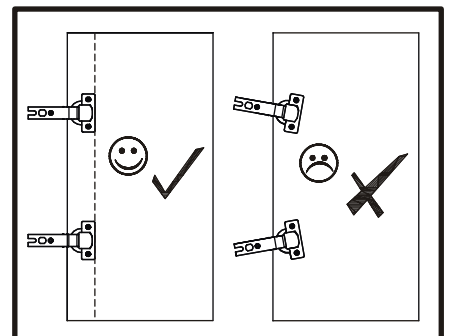
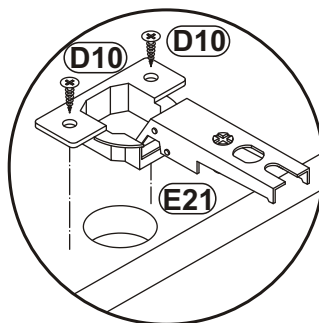
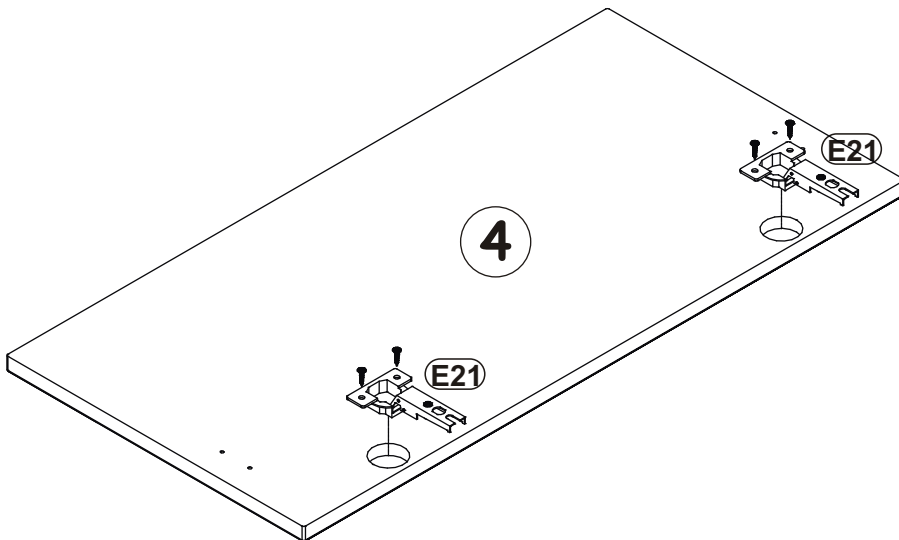
A1		B5	
x8	ø8x36	x8	Ø15x12



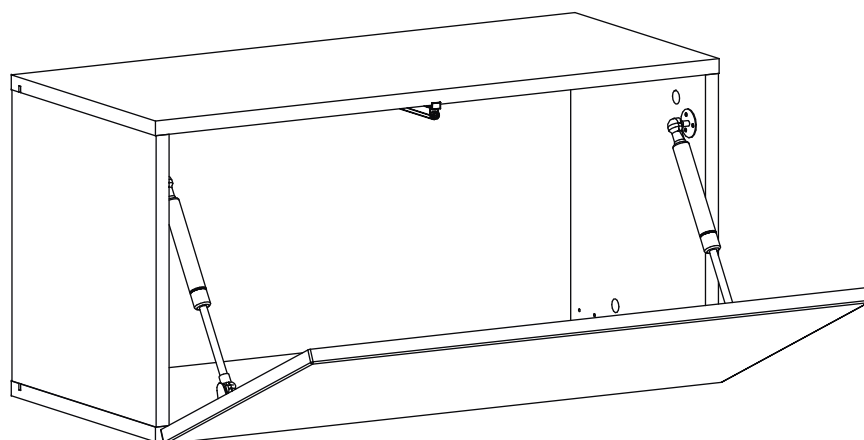
4



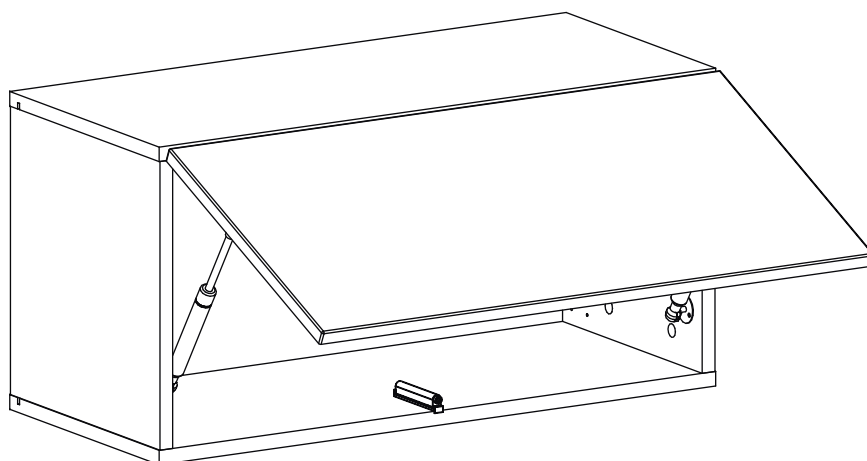
E21		D10	
x2	Ø35 H=0	x4	USØ3,5x13



**5 - 12**

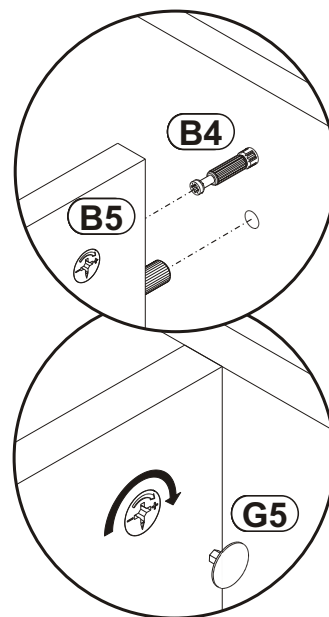
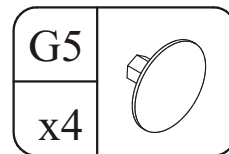
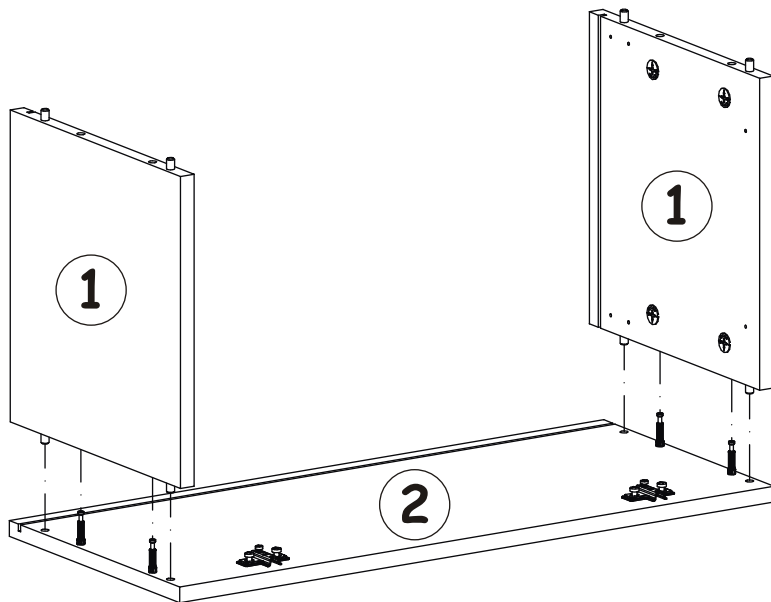
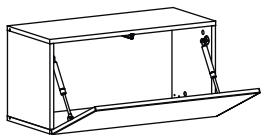


**13 - 20**

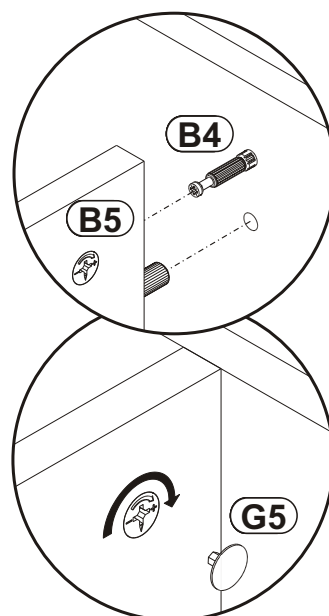
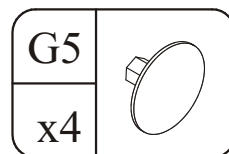
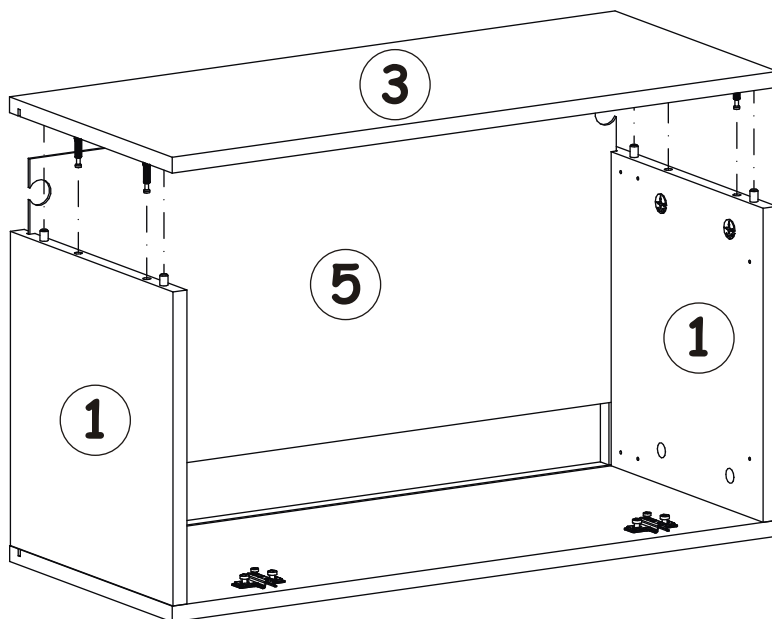


BLOX TYP 21

5



6

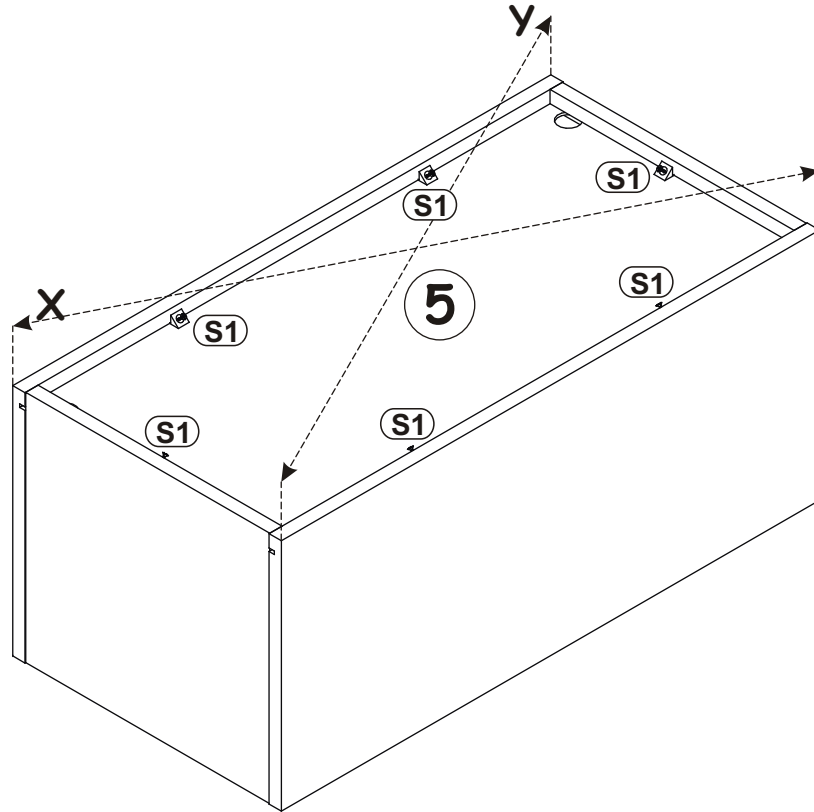
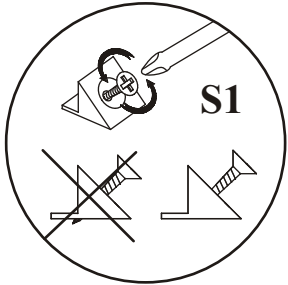
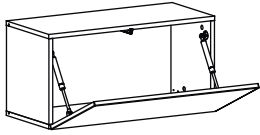


BLOX TYP 21



S1	
x6	

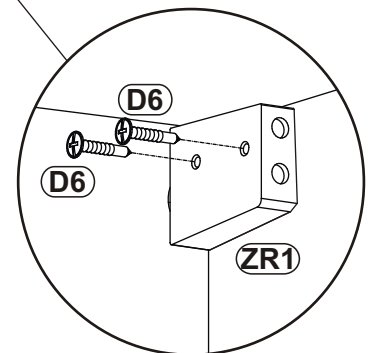
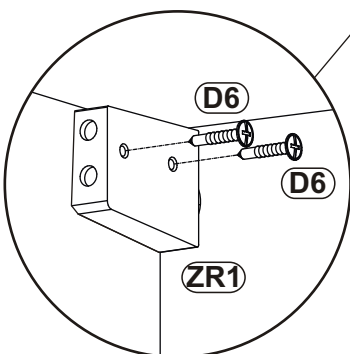
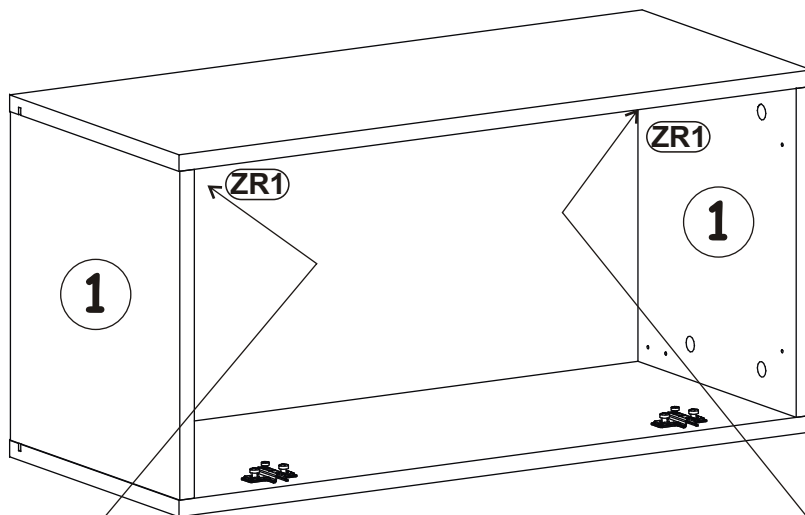
7



8

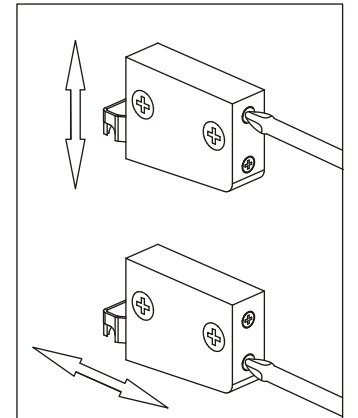
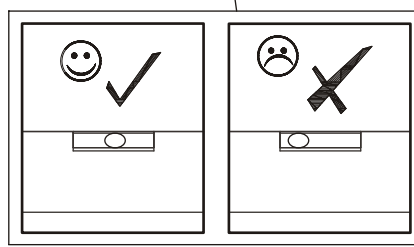
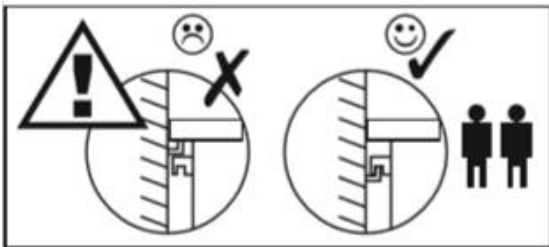
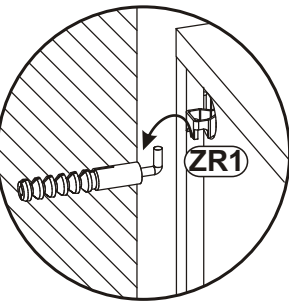
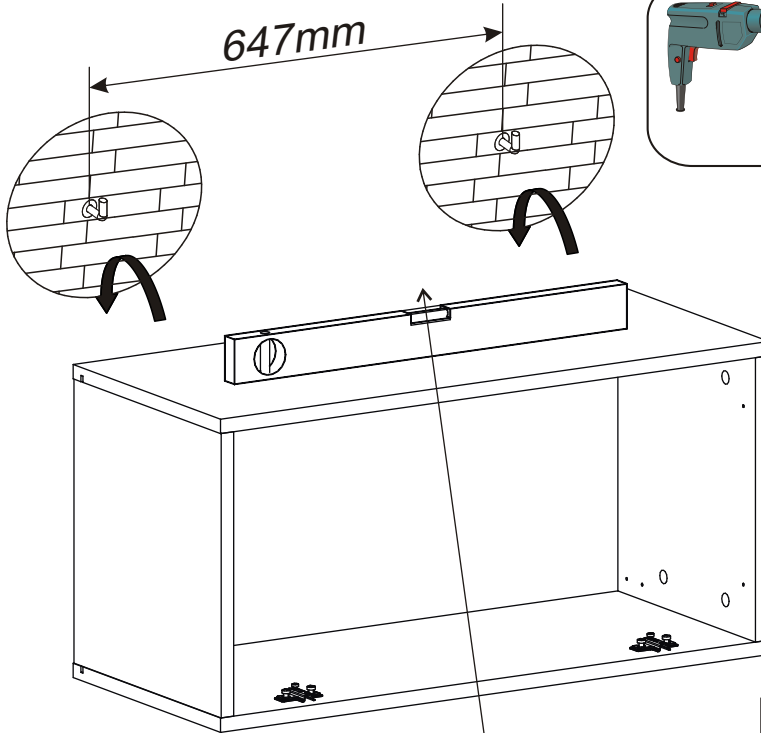
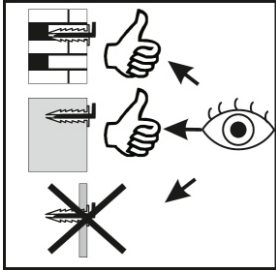
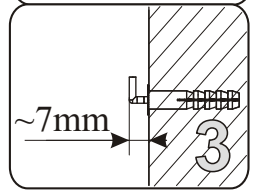
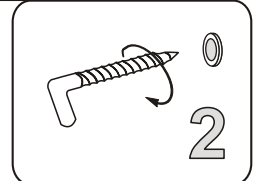
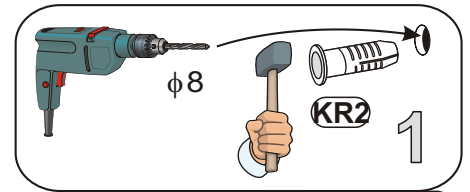
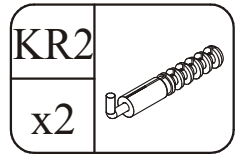
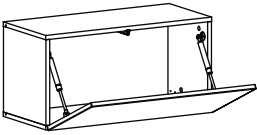
ZR1	
x2	

D6	
x4	USØ3,5x30

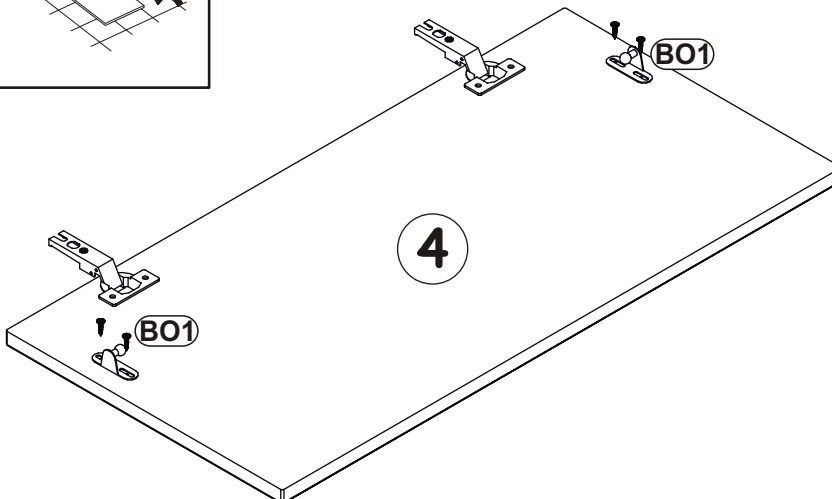
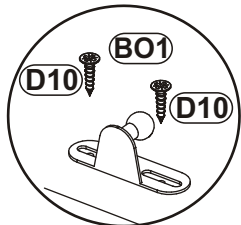
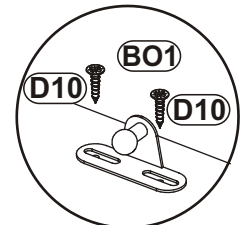
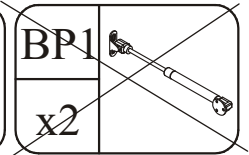
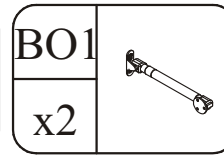
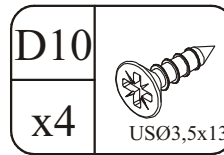
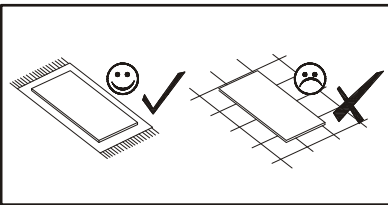


BLOX TYP 21

9

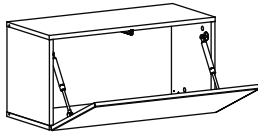



10




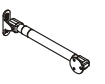
BLOX TYP 21

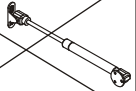
11

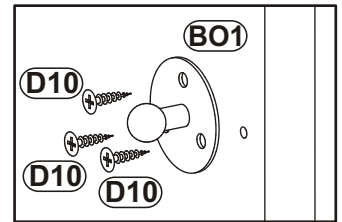
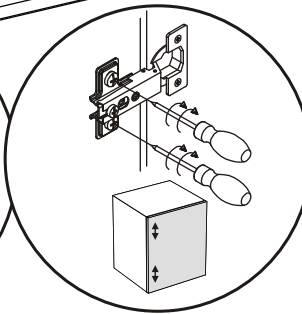
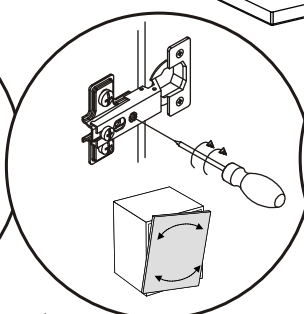
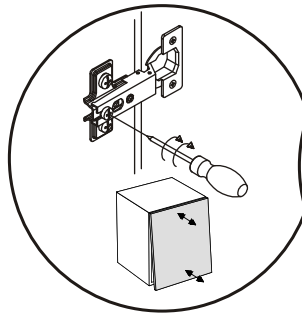
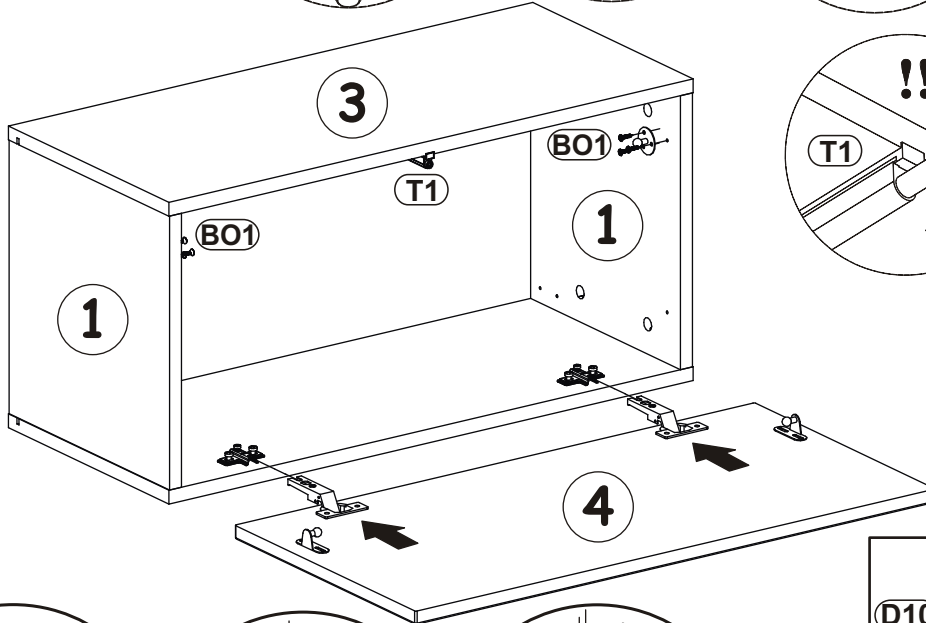
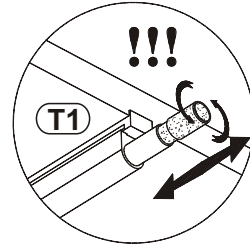
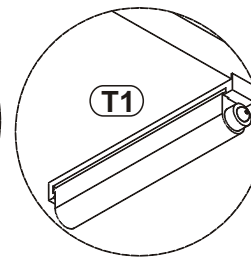
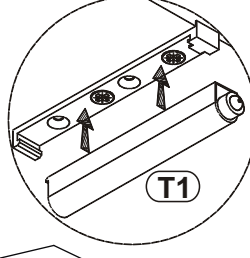
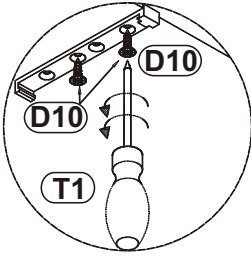


D10	
x8	USØ3,5x13


T1	
x1	

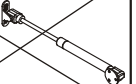
BO1	
x2	

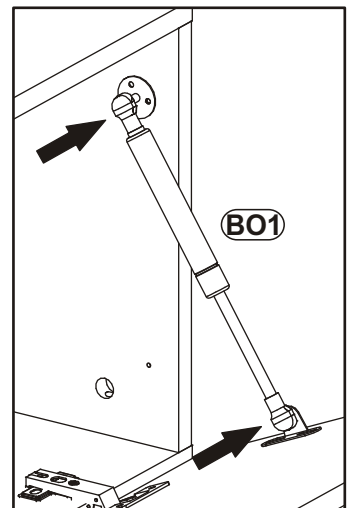
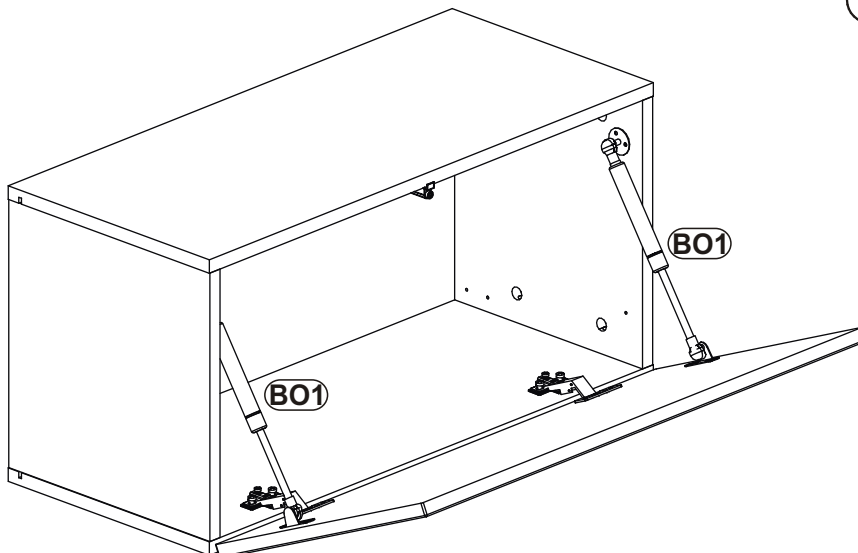
<del>BP1</del>	<del></del>
<del>x2</del>	



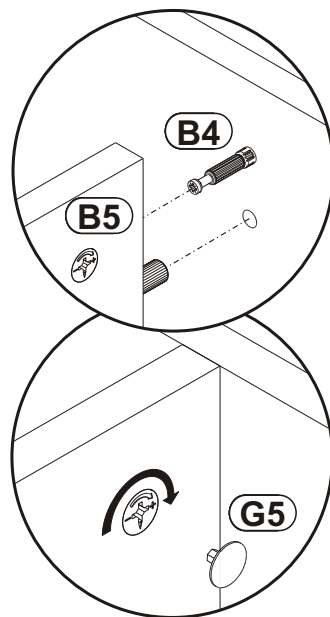
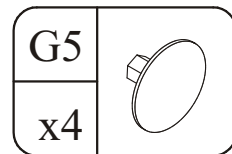
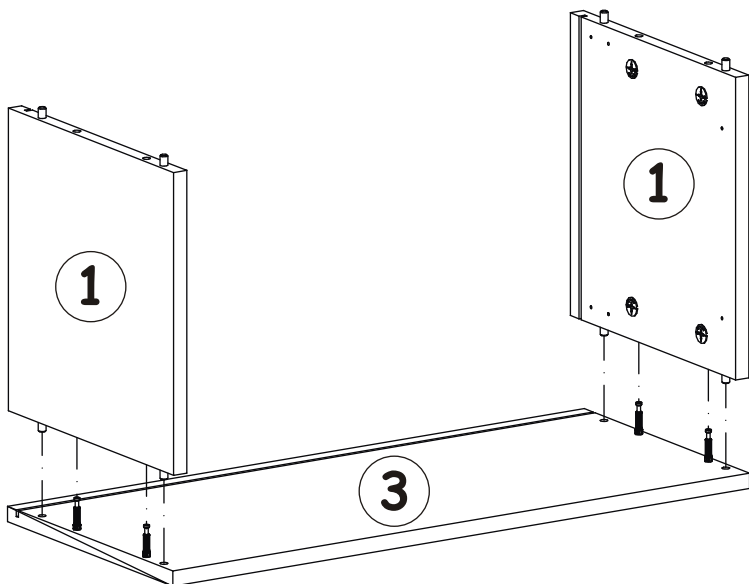
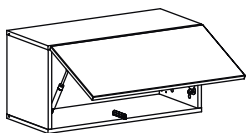
12

BO1	
x2	

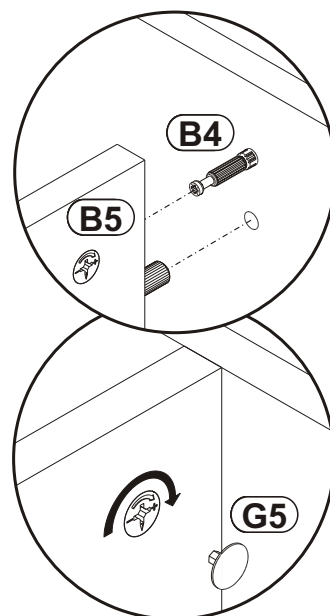
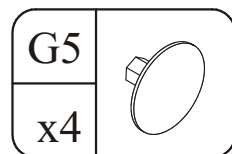
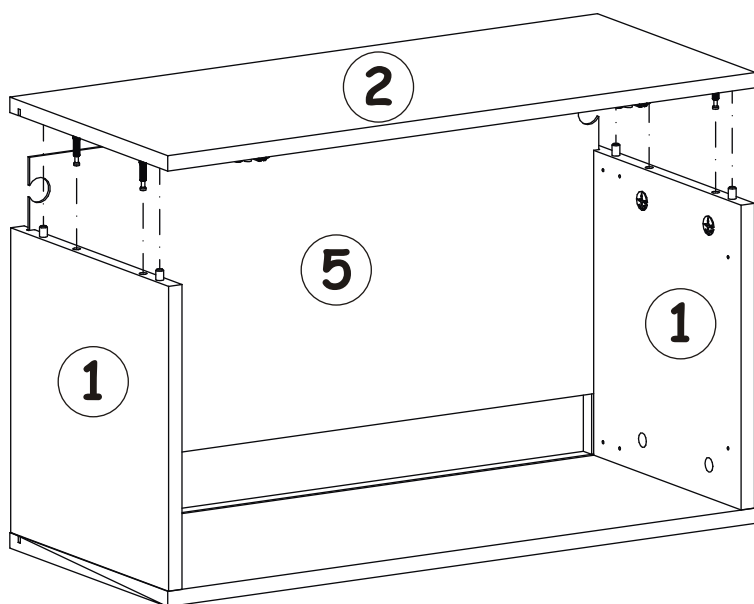
<del>BP1</del>	<del></del>
<del>x2</del>	



13



14

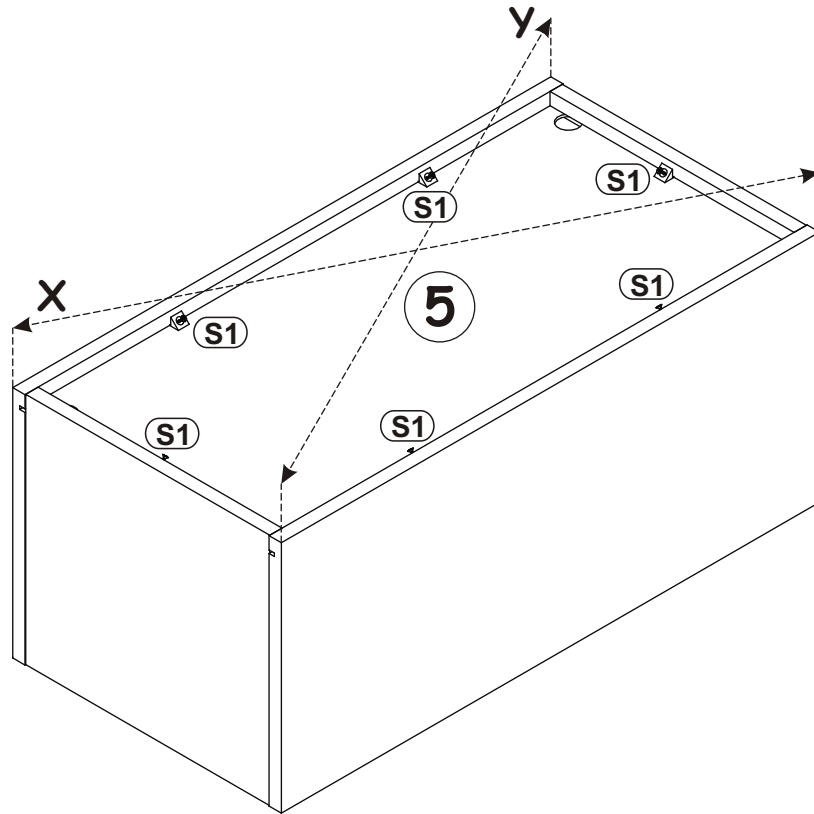
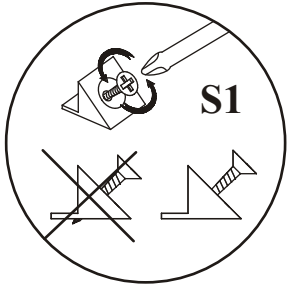
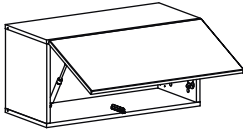




$X=Y$   $90^\circ$

S1	
x6	

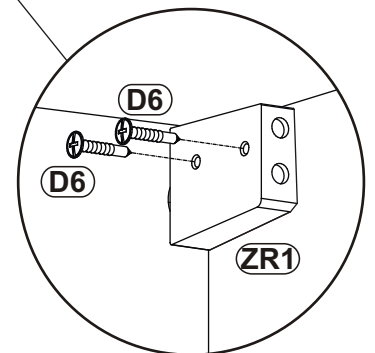
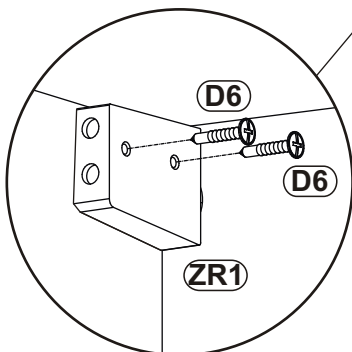
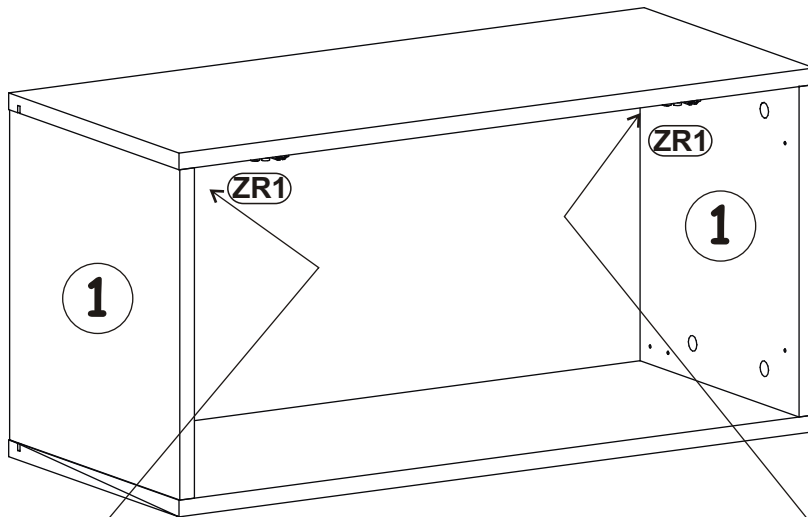
15



16

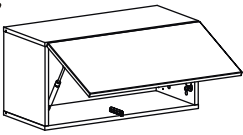
ZR1	
x2	

D6	
x4	USØ3,5x30



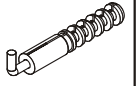


17

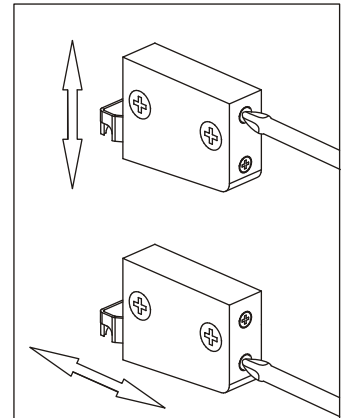
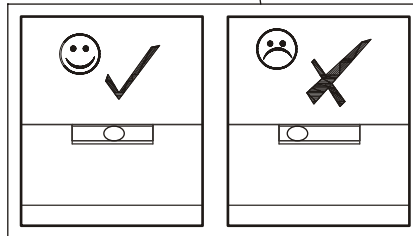
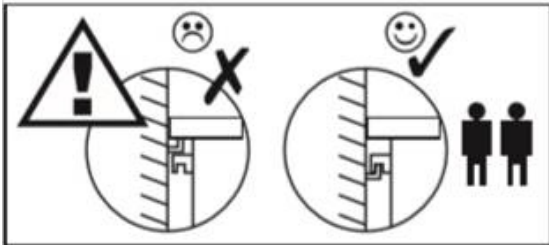
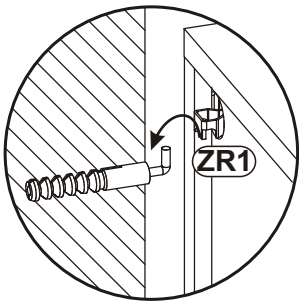
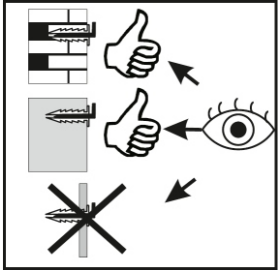
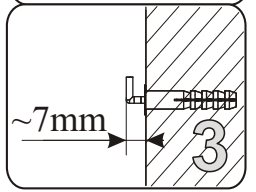
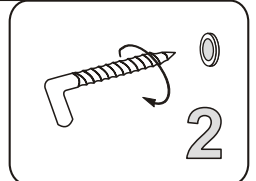
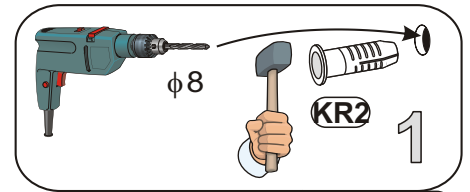
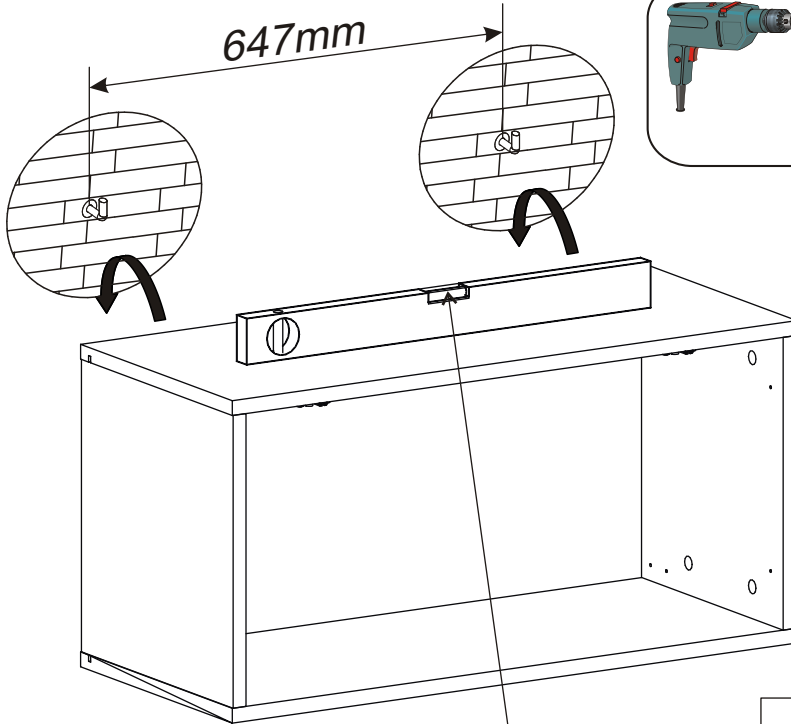


KR2

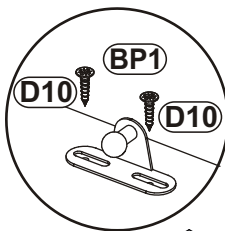
x2



647mm



18



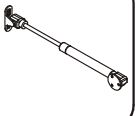
D10

x4



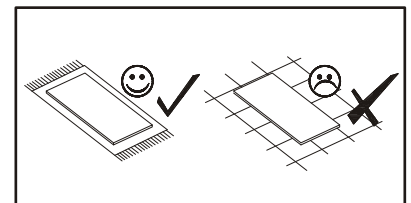
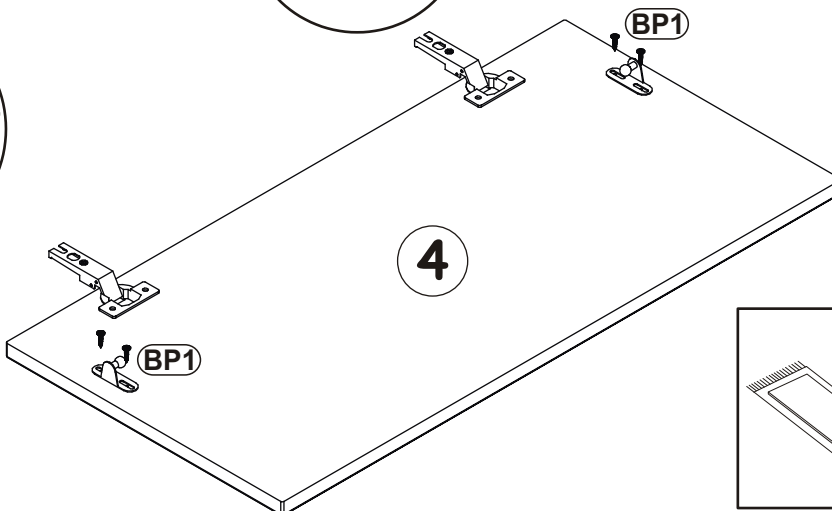
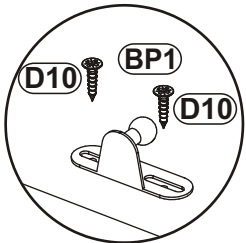
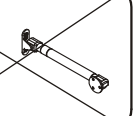
BP1

x2



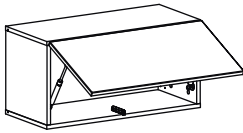
~~BO1~~

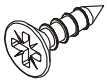
~~x2~~




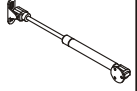
BLOX TYP 21

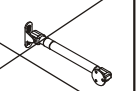
19

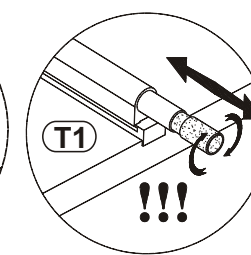
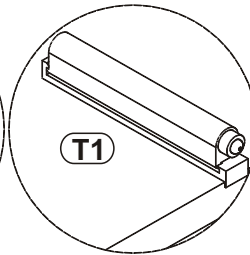
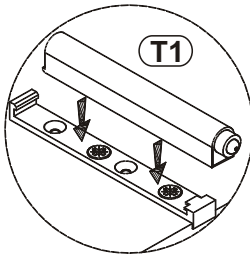
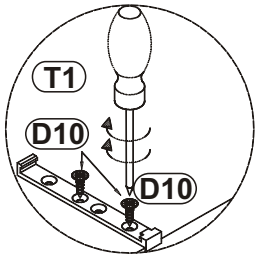
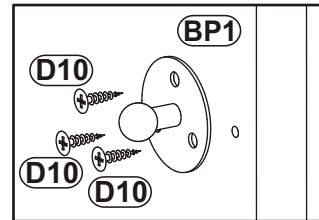
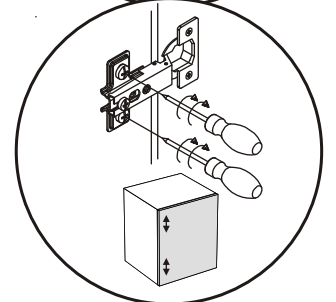
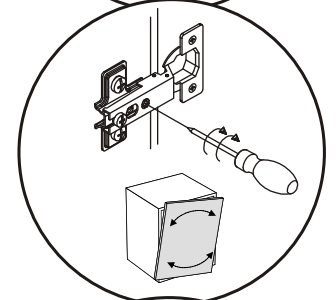
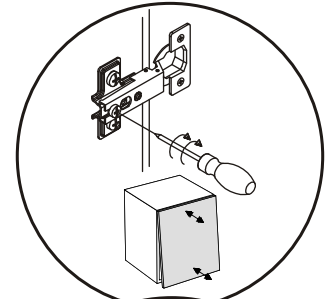
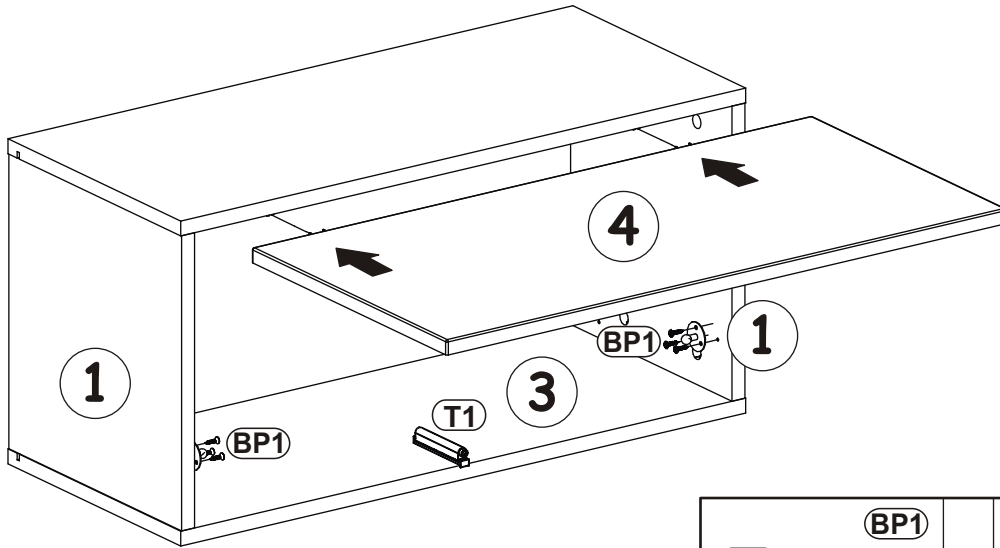


D10	
x8	USØ3,5x13

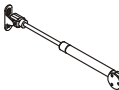
T1	
x1	

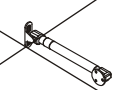
BP1	
x2	

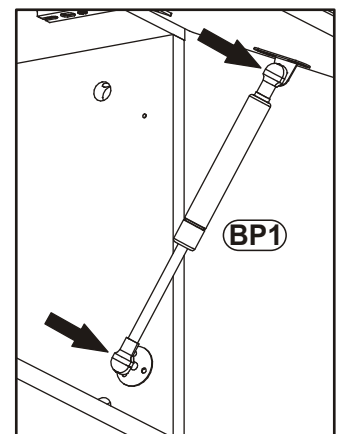
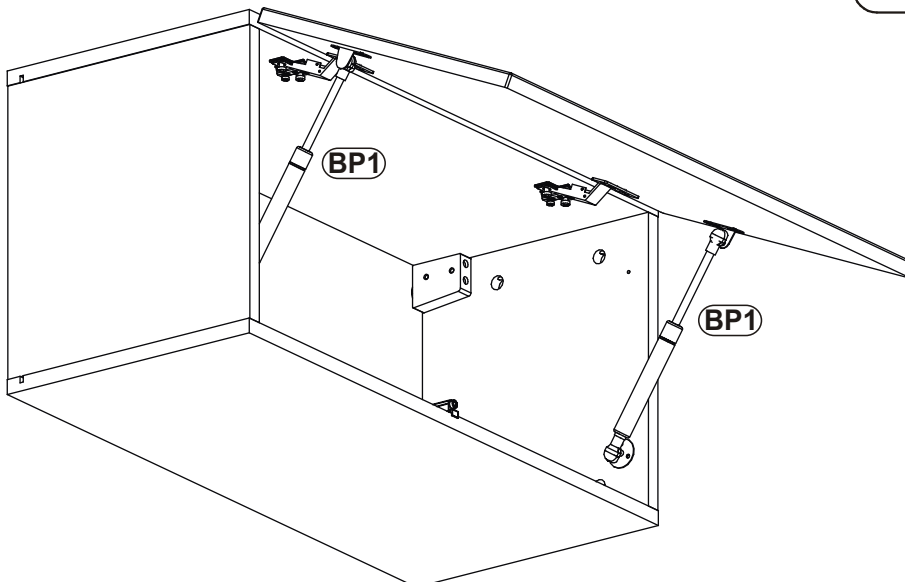
<del>BO1</del>	<del></del>
<del>x2</del>	



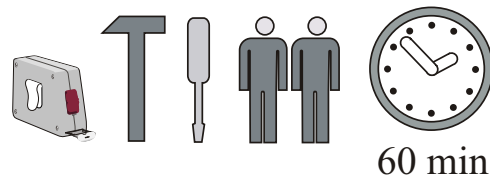
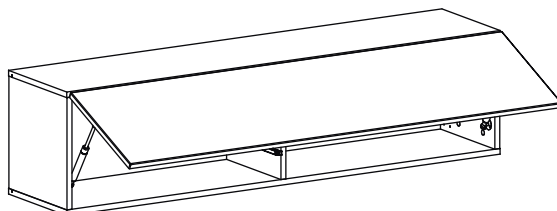
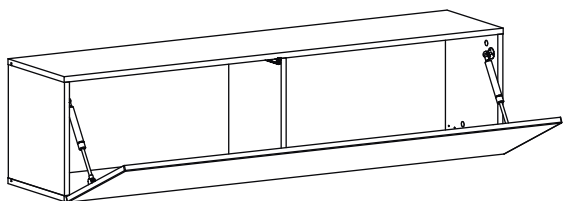
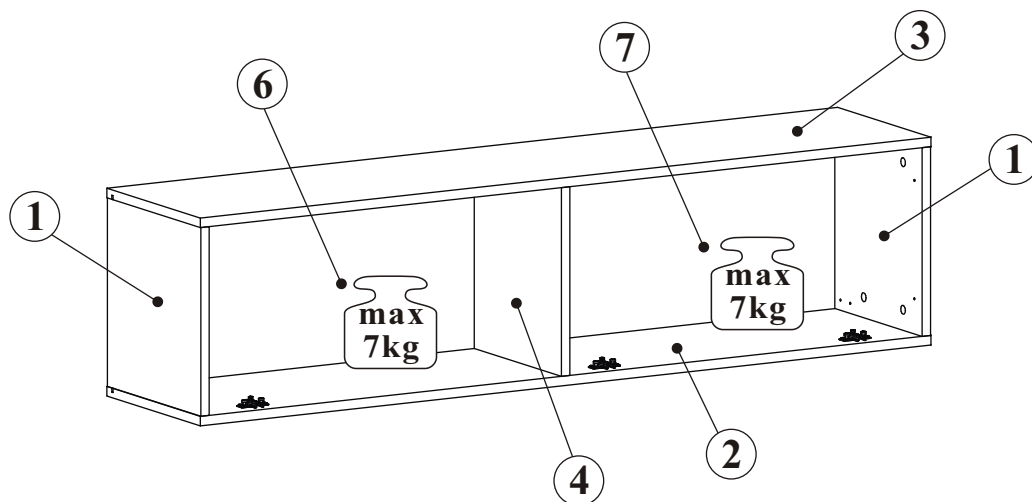
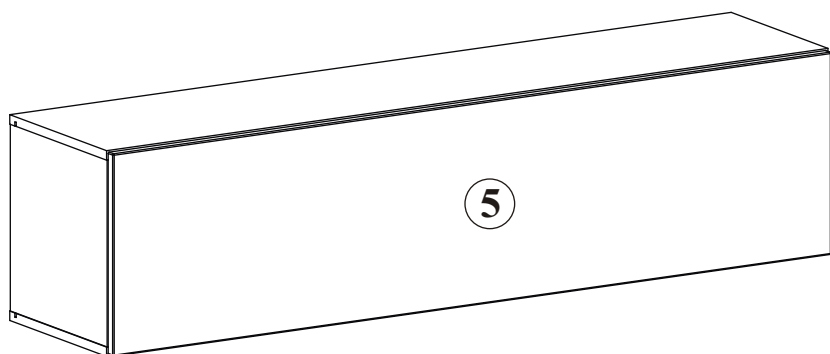
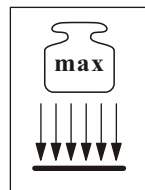
20

BP1	
x2	

<del>BO1</del>	<del></del>
<del>x2</del>	



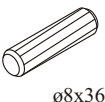
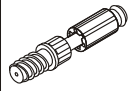


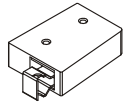

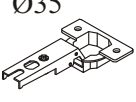
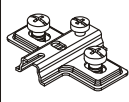

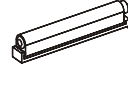

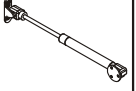
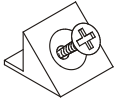
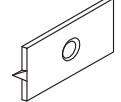

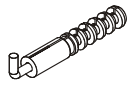

# BLOX TYP 23

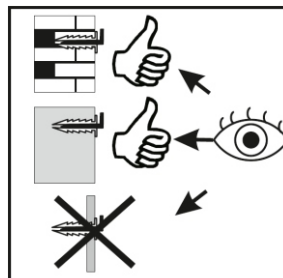
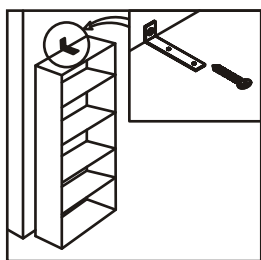
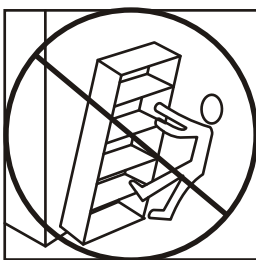
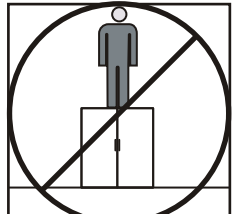
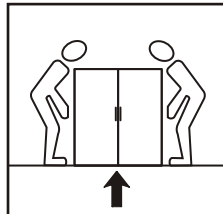
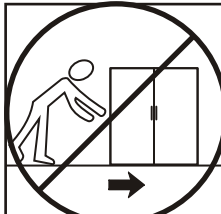
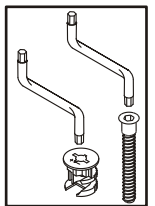
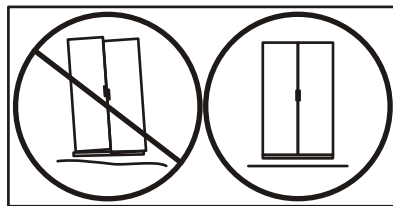
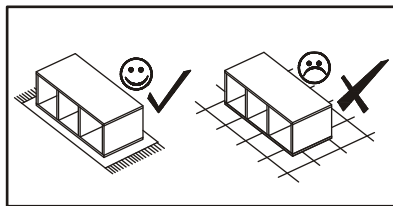
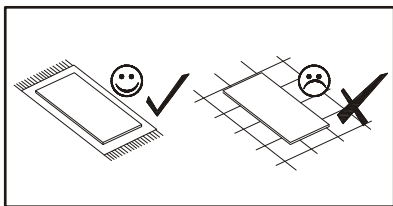
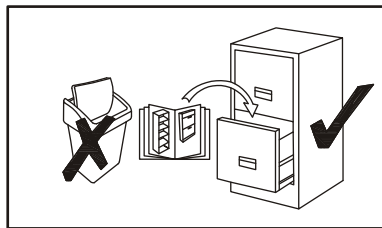
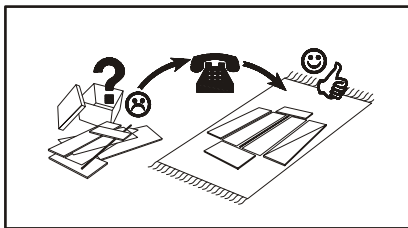
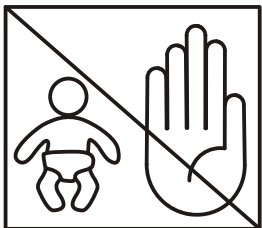
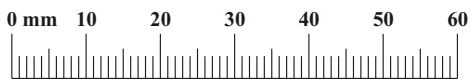


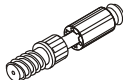
60 min

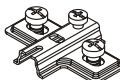
NO	Dim.		Col.-No	Qty
1	317	304	1	2
2	1399	304	1	1
3	1399	304	1	1
4	317	284	1	1
5	1393	343	1	1
6	329	687	1	1
7	329	687	1	1

# BLOX TYP 23

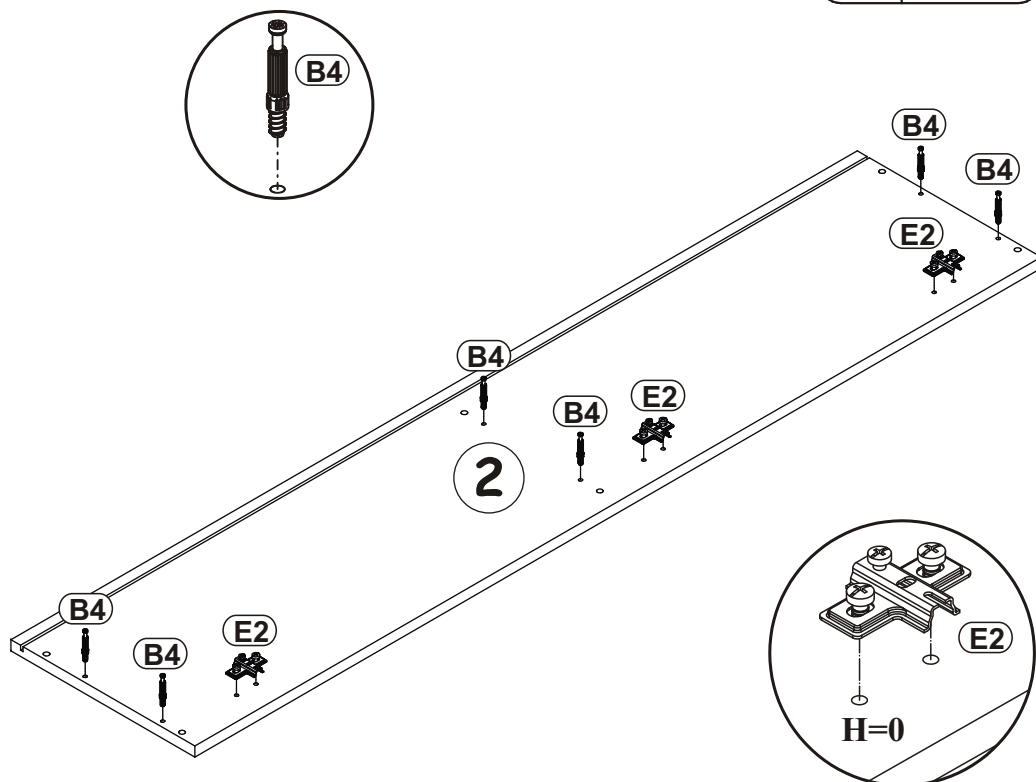
A1 x12  ø8x36	B4 x12 	B5 x12  Ø15x12	G5 x12 	ZR1 x3 	D6 x6  USØ3,5x30
E21 x3 Ø35  H=0	E2 x3  H=0	D10 x28  USØ3,5x13	T1 x1 	BO1 x2 	BP1 x2 
S1 x10 	G16 x2 	UP13 x2  UPØ3x16	KR2 x3 	G2 x1 	



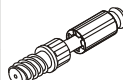
B4	
x6	

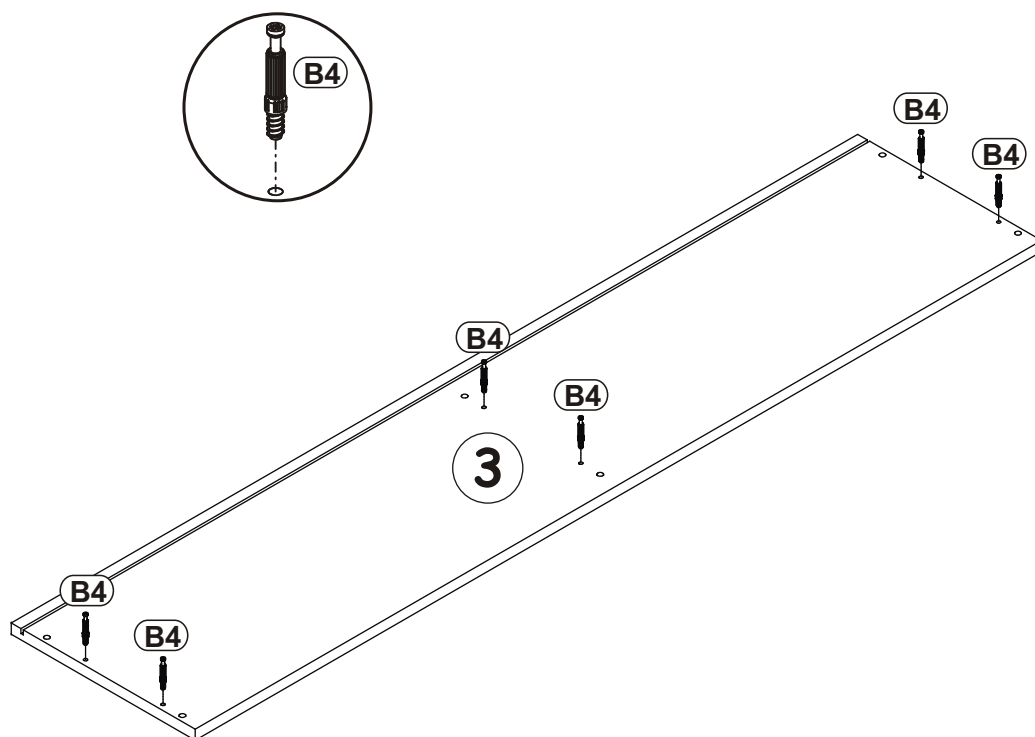
E2	
x3	H=0

1

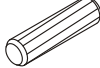



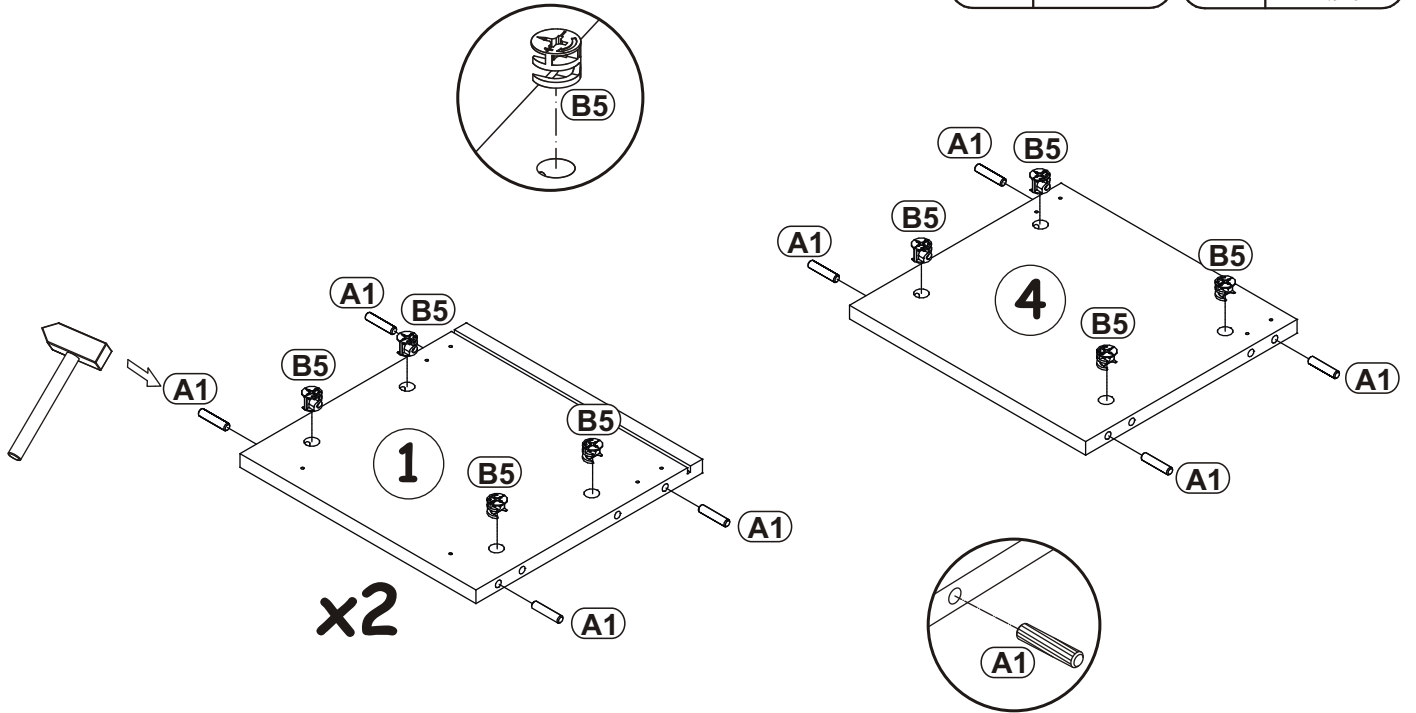
2

B4	
x6	

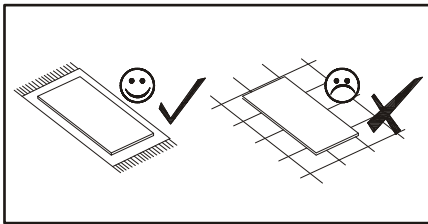


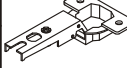
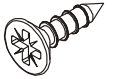
3

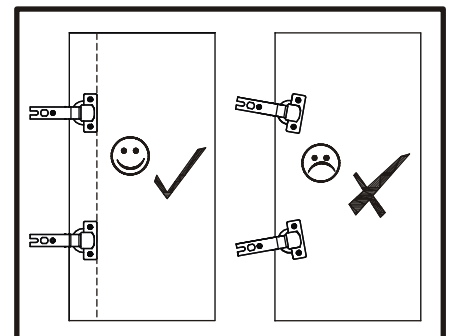
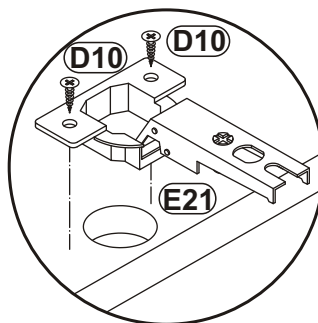
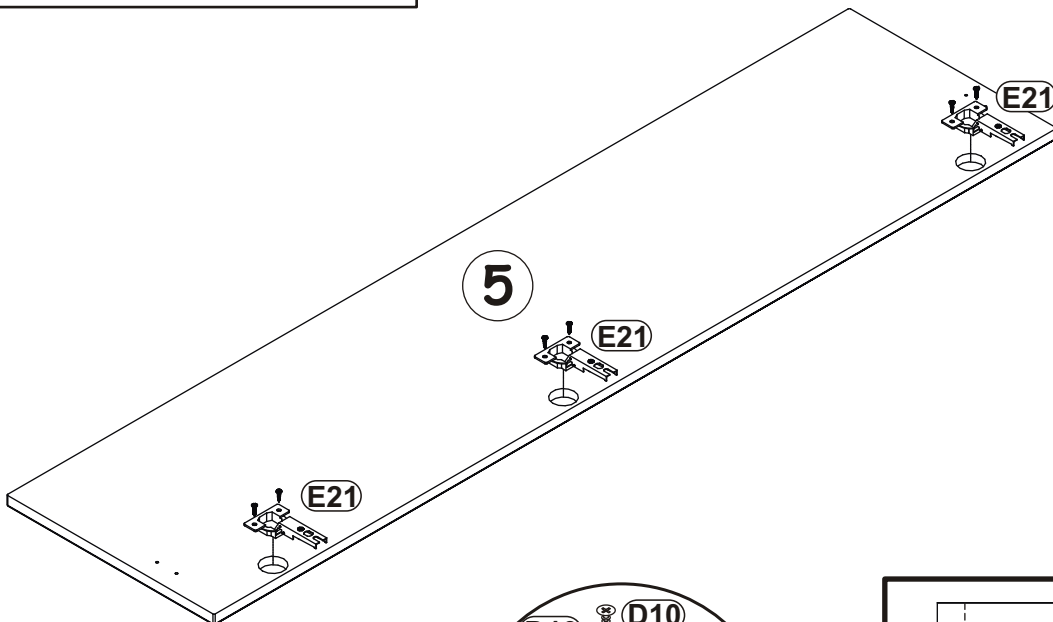
A1		B5	
x12	ø8x36	x12	Ø15x12



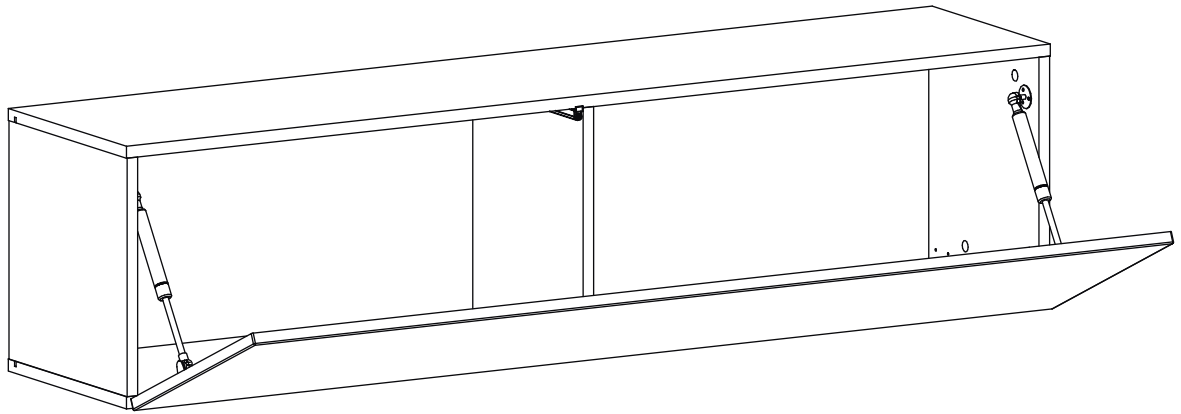
4



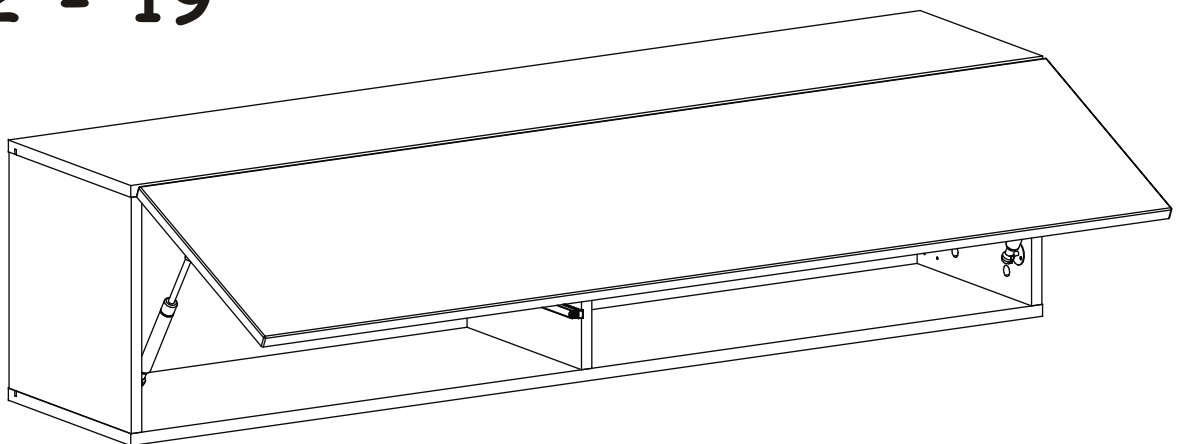
E21		D10	
x3	Ø35 H=0	x6	USØ3,5x13

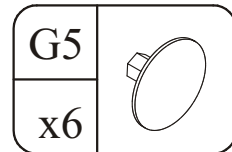


**5 - 11**

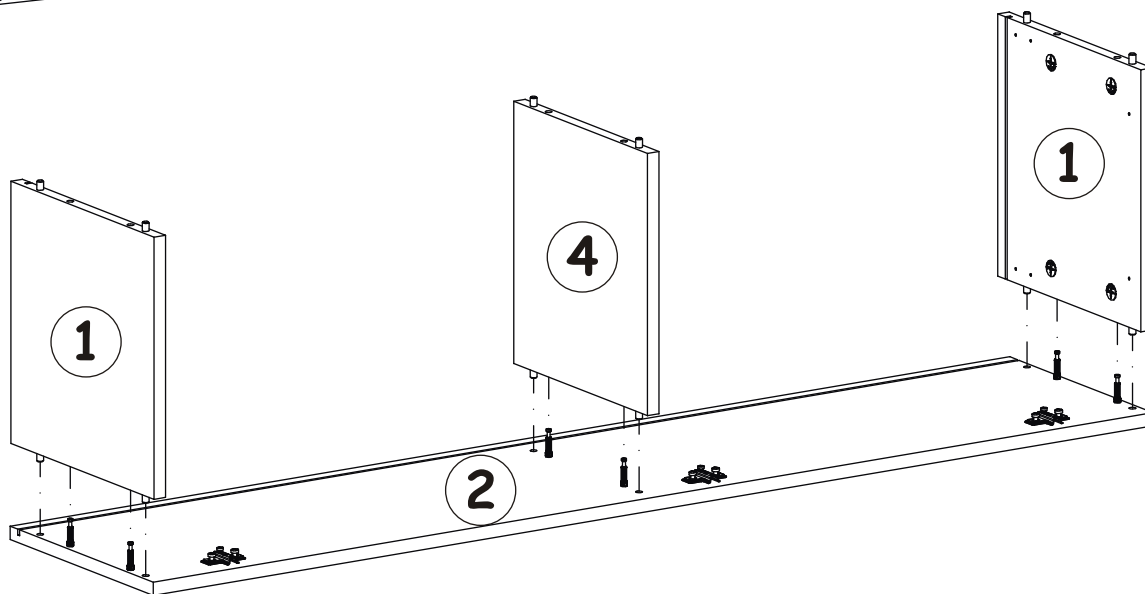
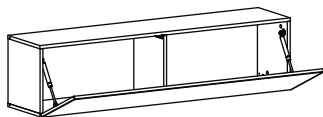


**12 - 19**

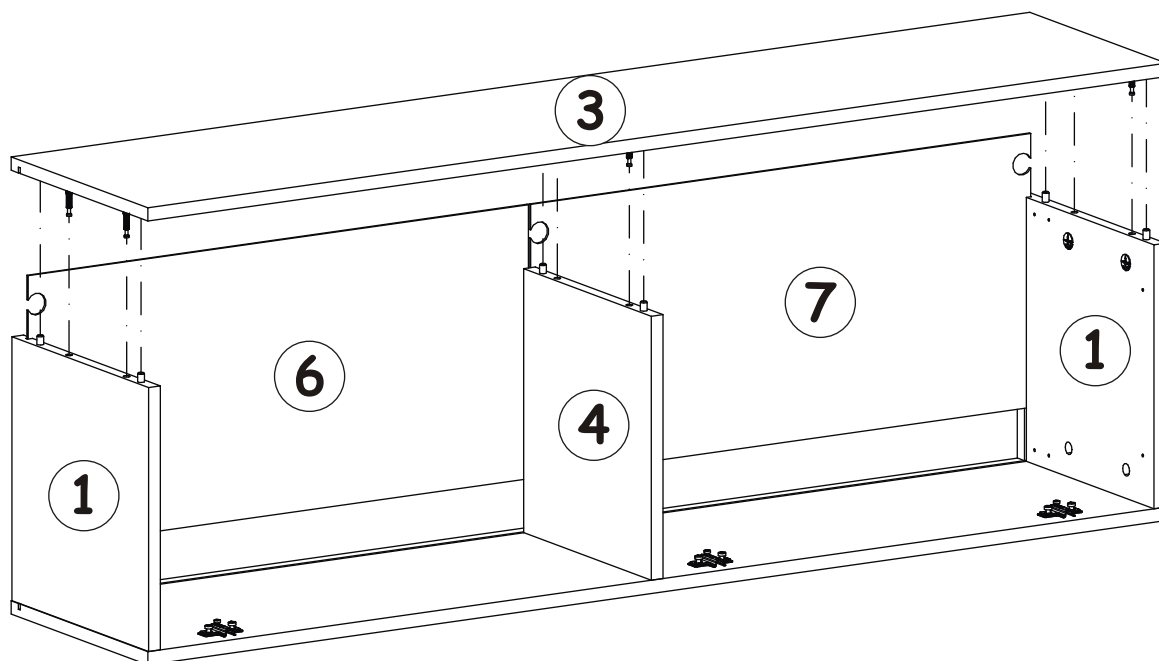
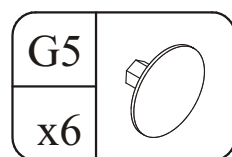
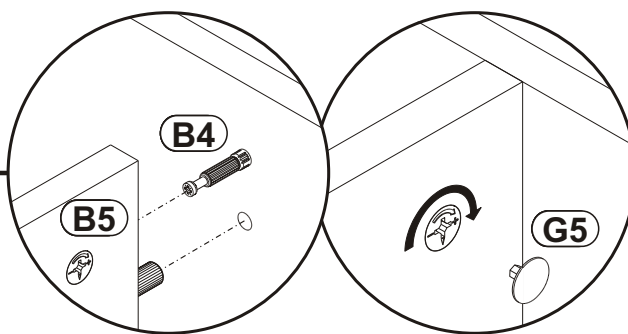




5

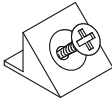
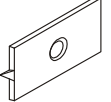
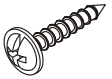


6

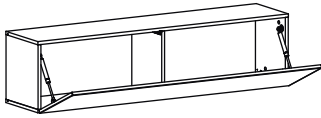




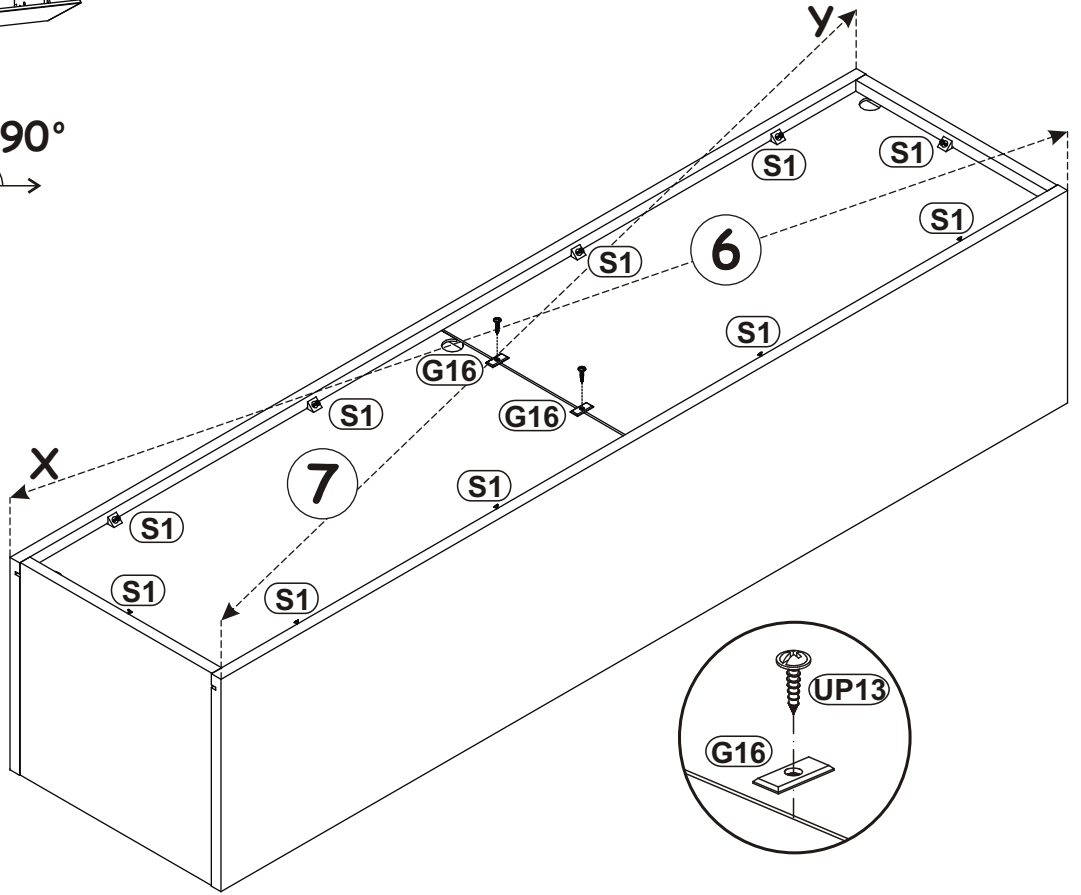
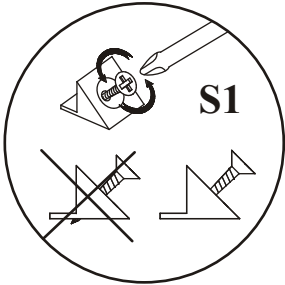
BLOX TYP 23

S1		G16		UP13	
x10		x2		x2	UPØ3x16

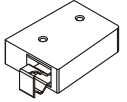

7

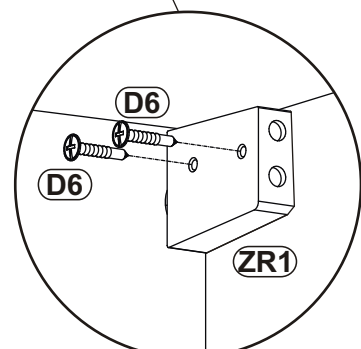
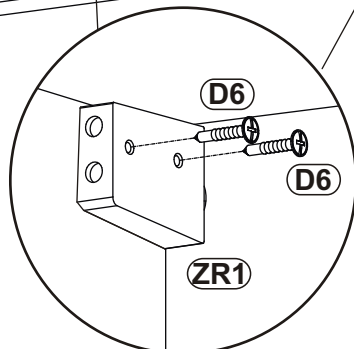
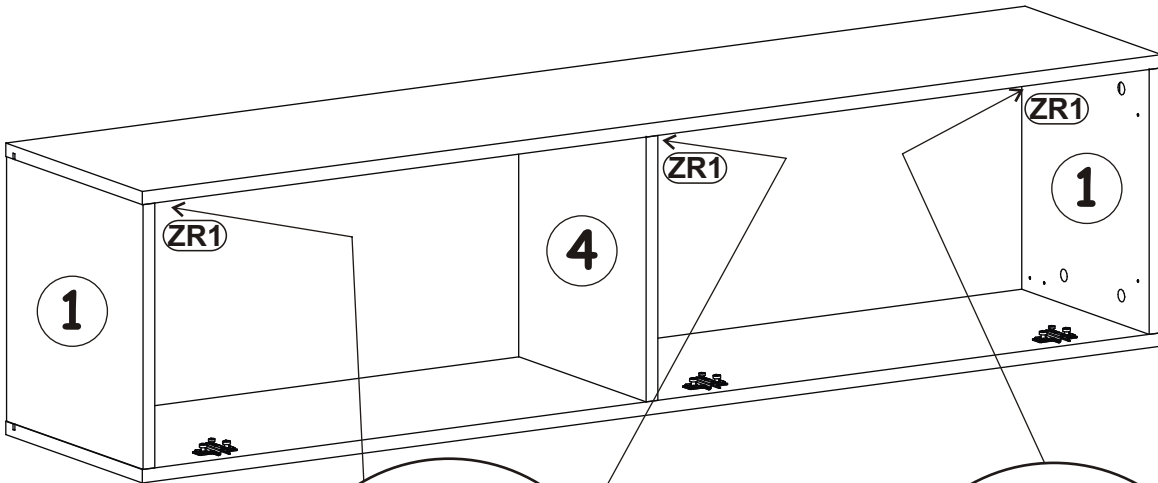


X=Y 90°

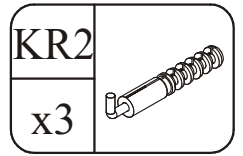


8

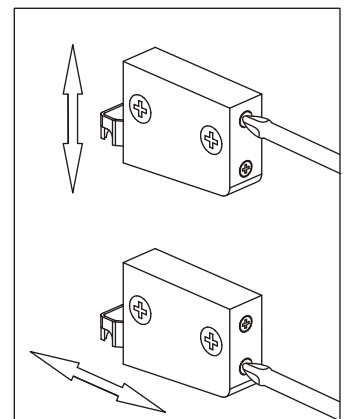
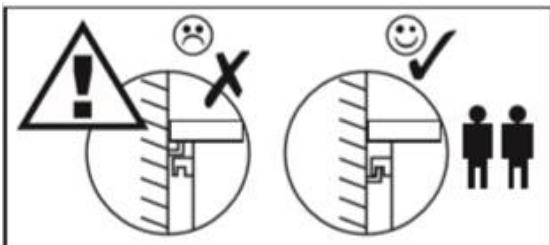
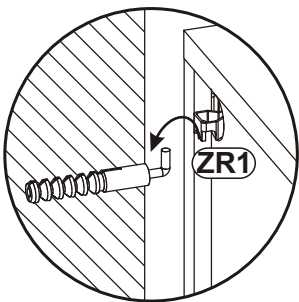
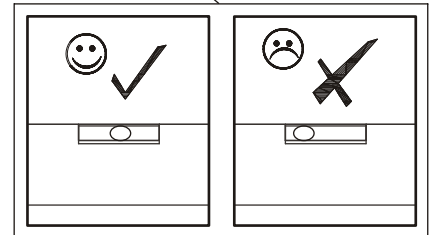
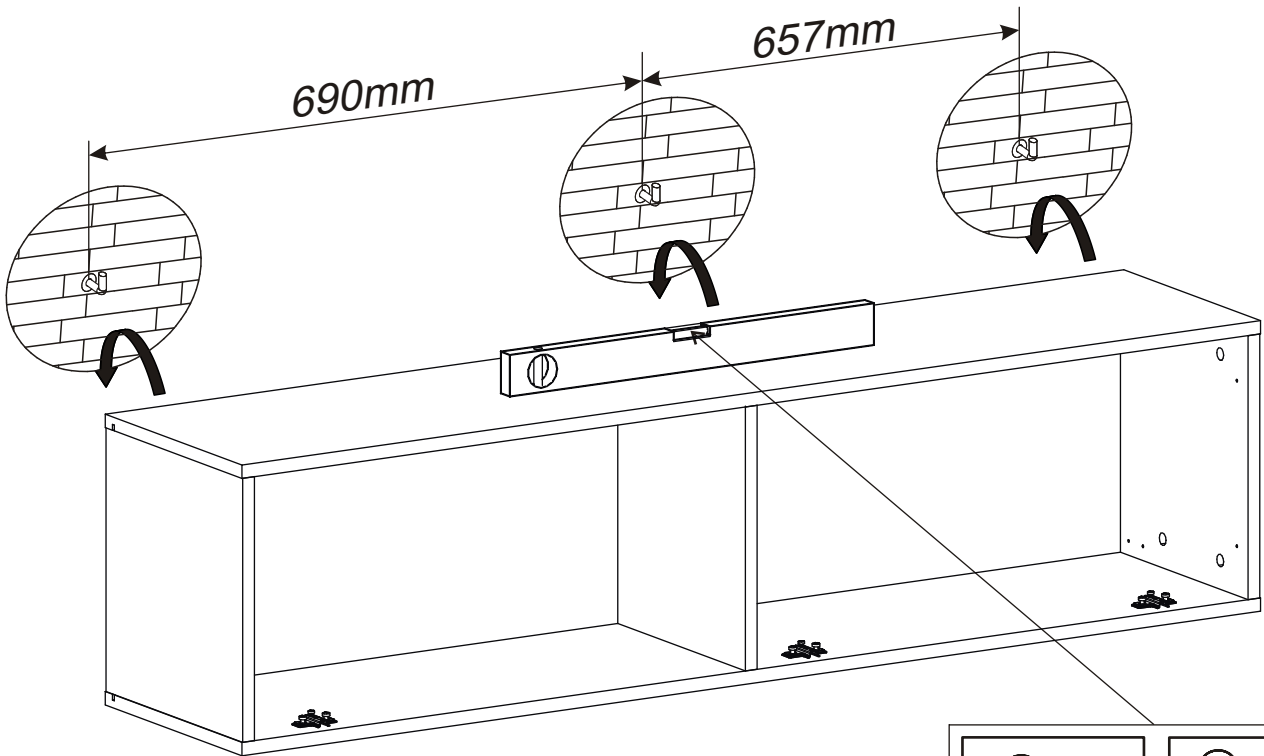
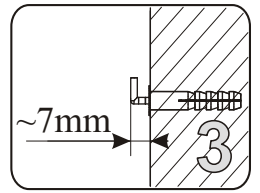
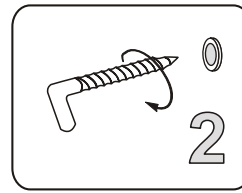
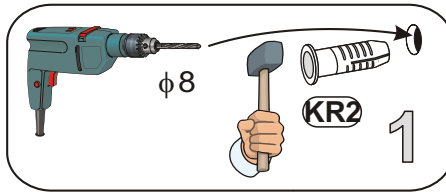
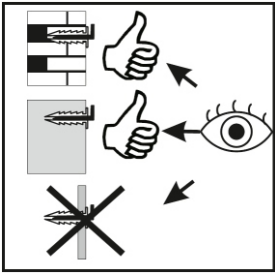
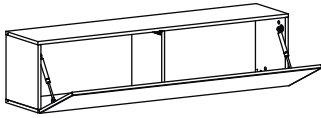
ZR1		D6	
x3		x6	USØ3,5x30



BLOX TYP 23

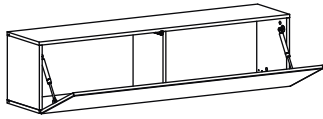


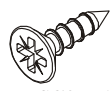
9





BLOX TYP 23

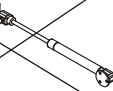
10

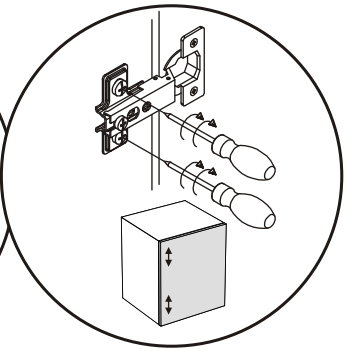
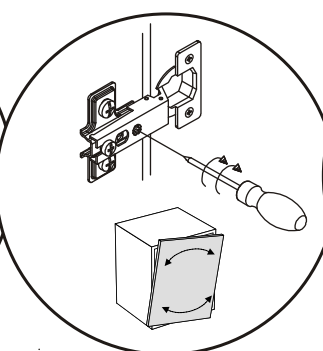
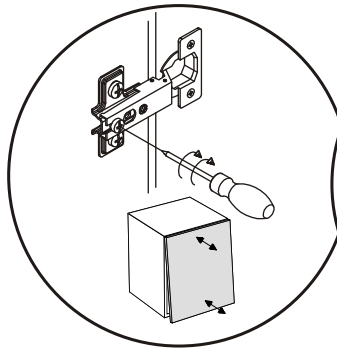
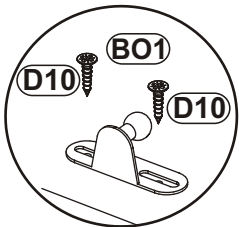
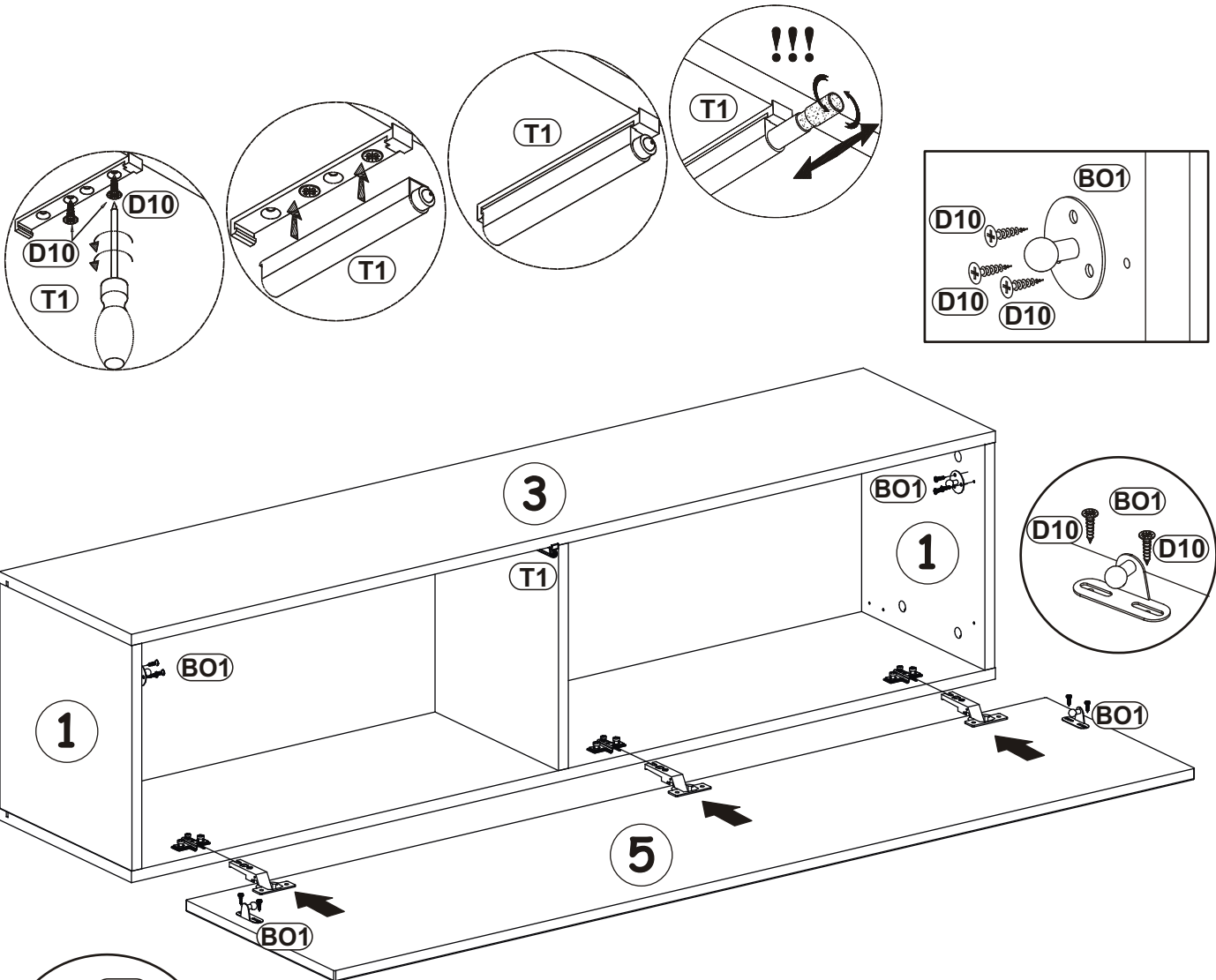


D10	
x12	USØ3,5x13

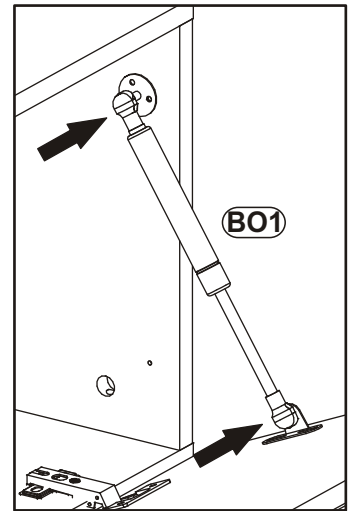
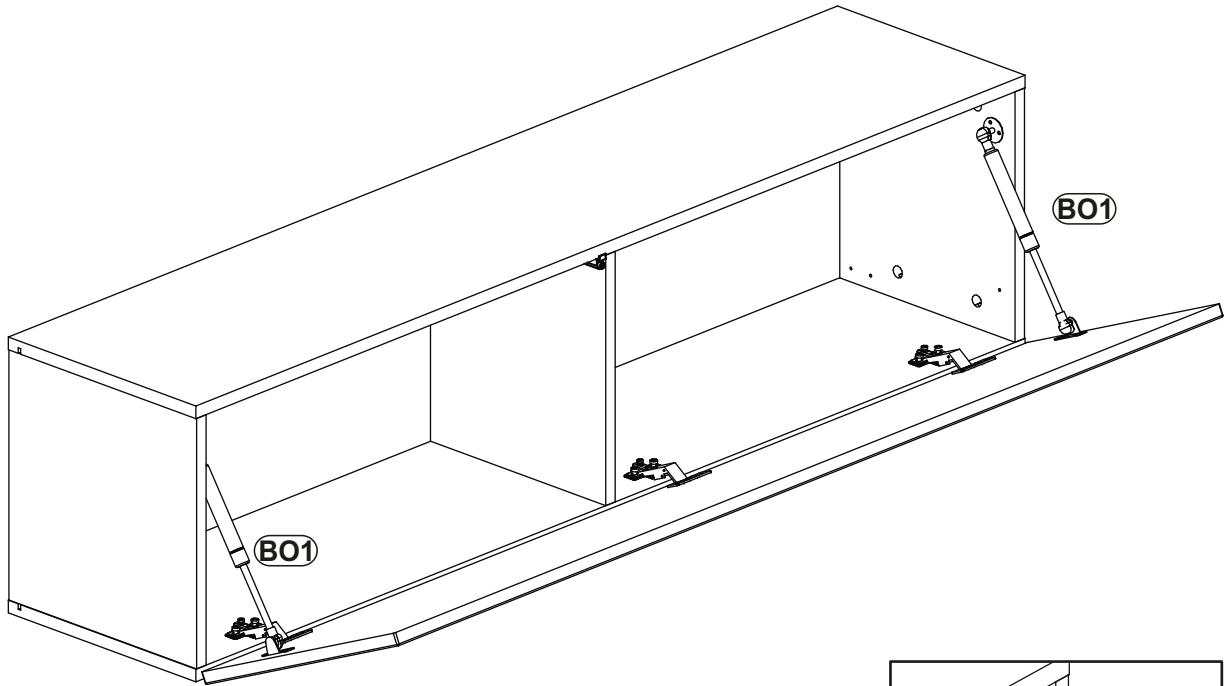
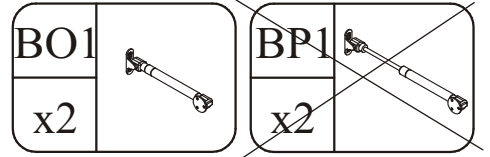
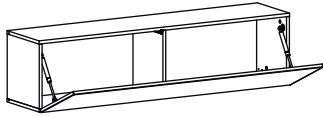
T1	
x1	

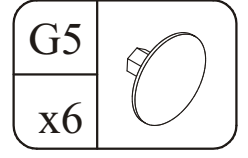
BO1	
x2	

<del>BP1</del>	<del></del>
<del>x2</del>	

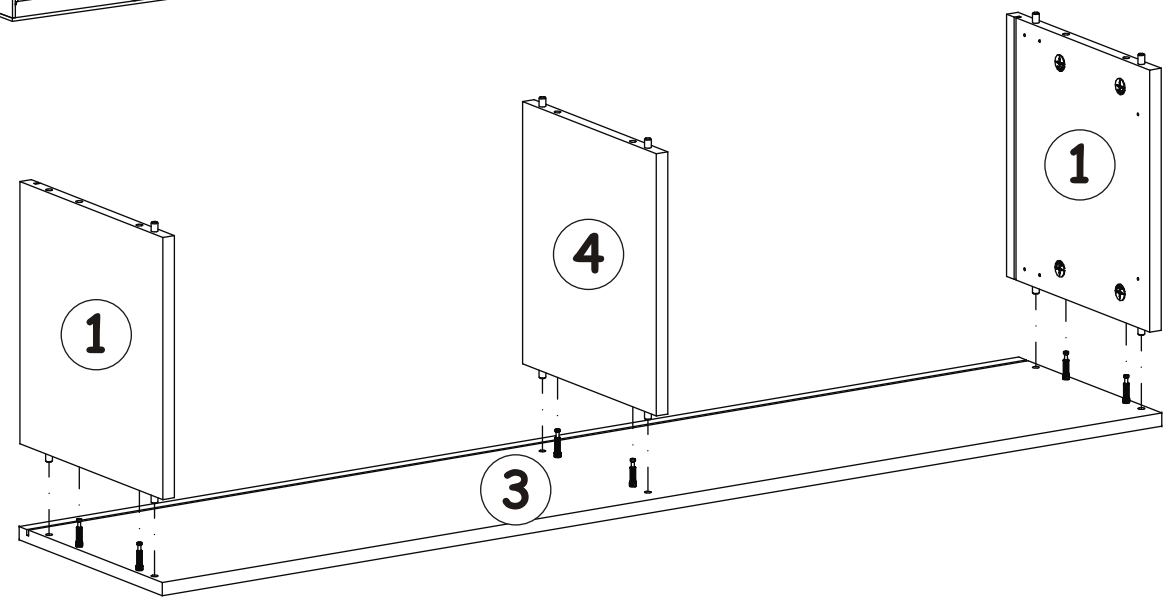
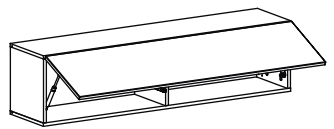


11

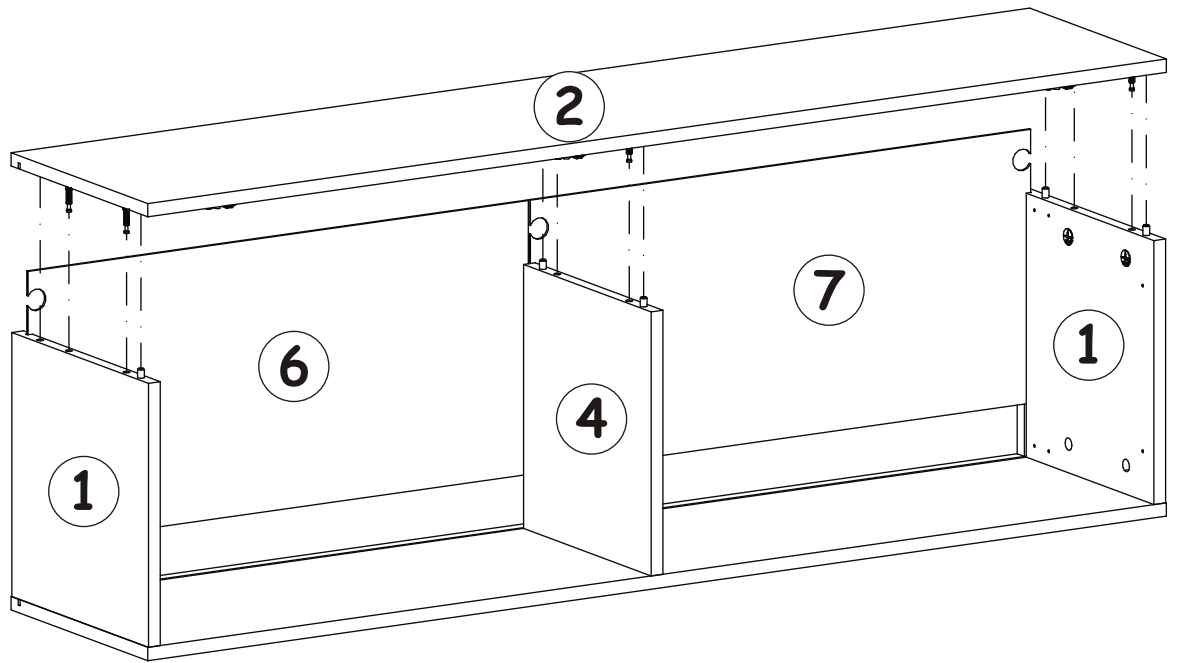
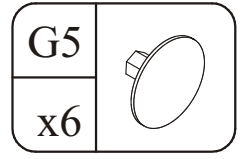
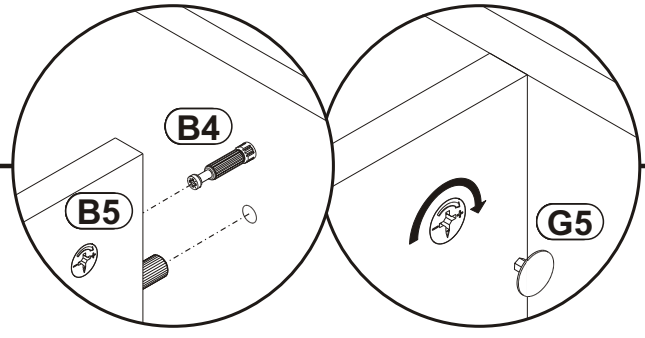




12

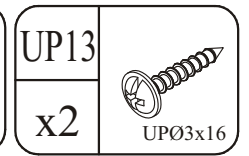
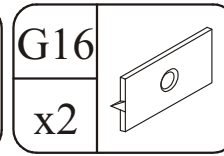
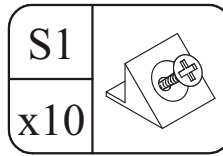
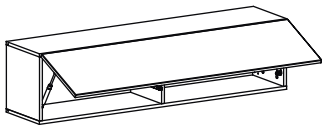


13

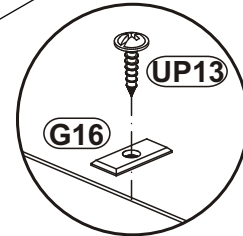
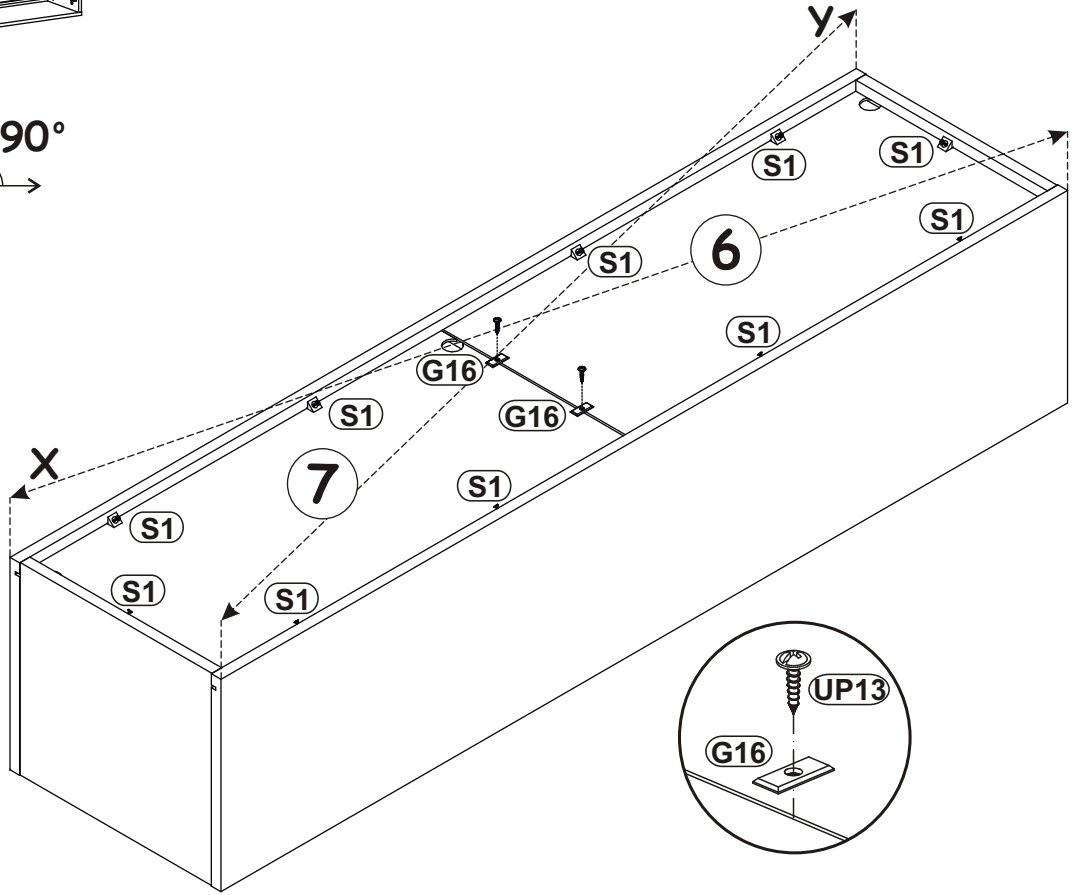
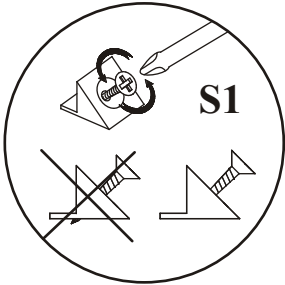


BLOX TYP 23

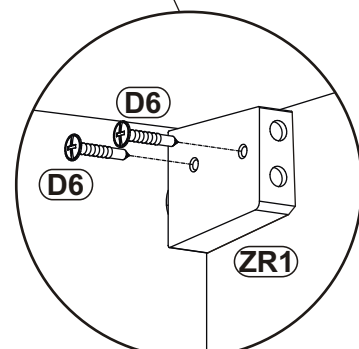
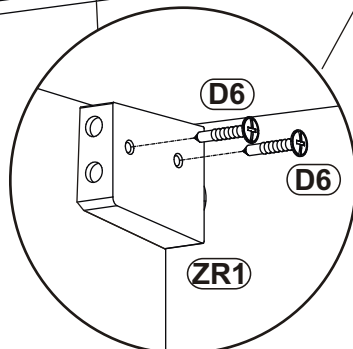
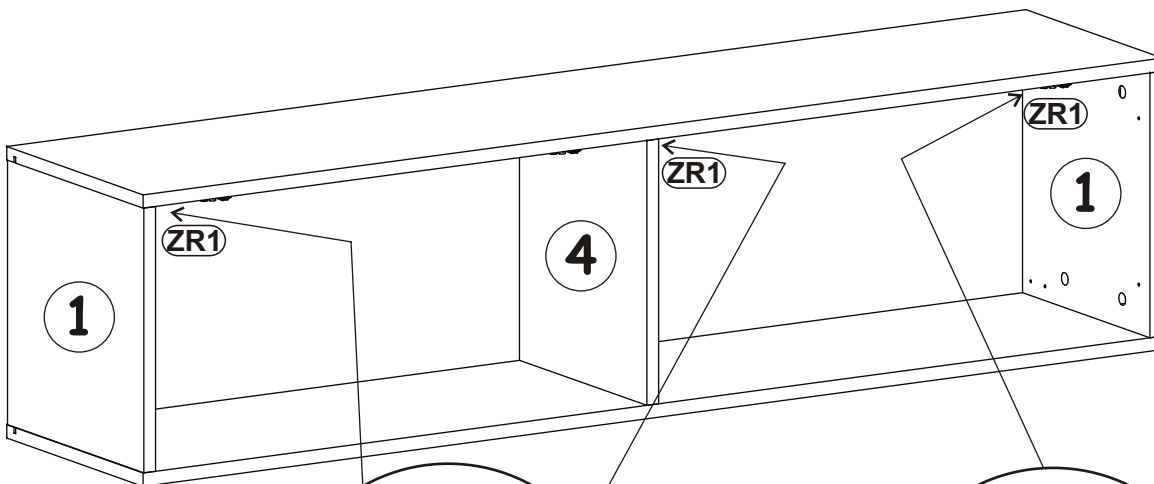
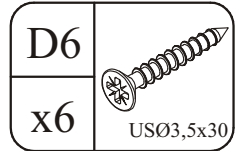
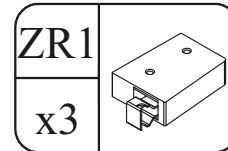
14

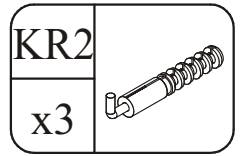


X=Y 90°

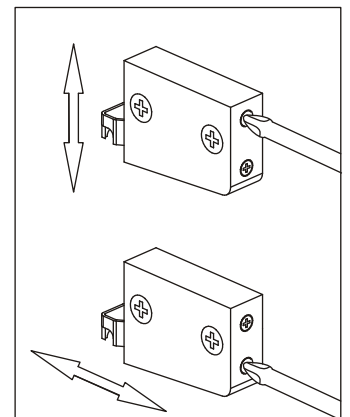
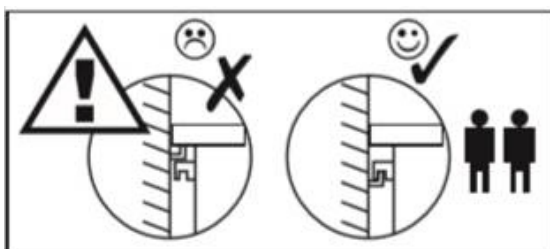
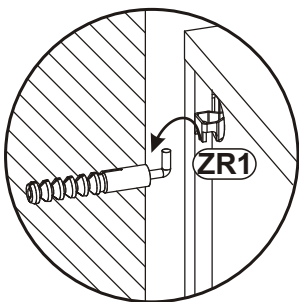
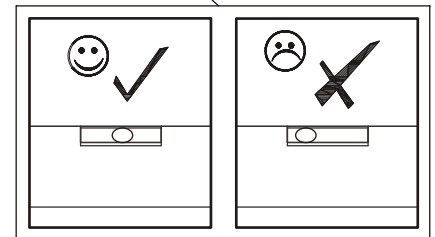
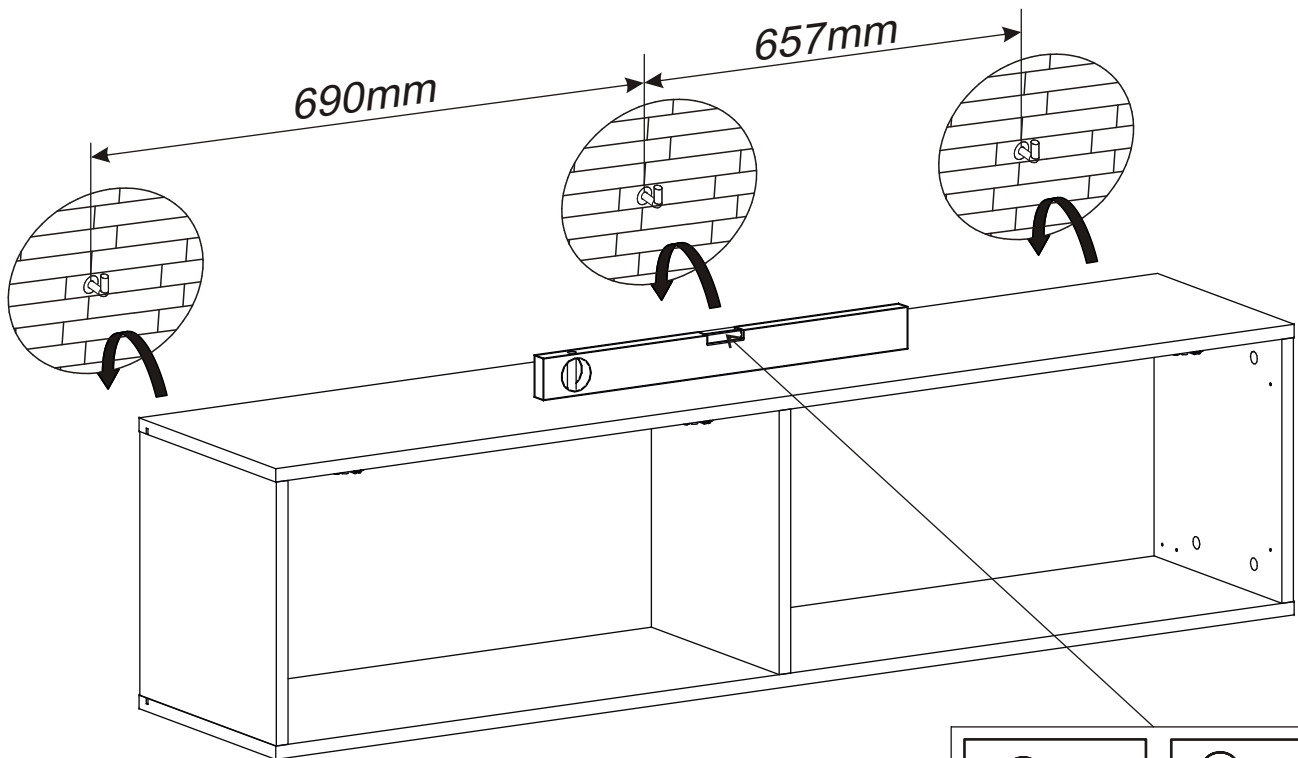
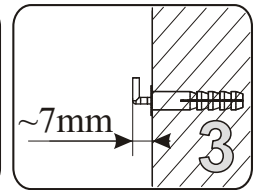
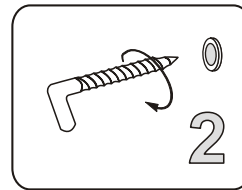
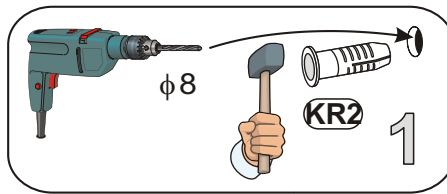
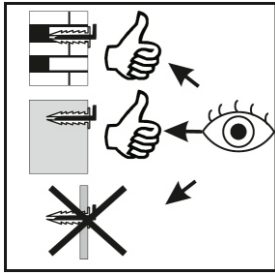
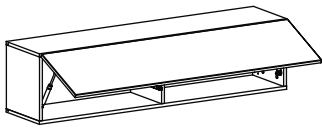


15



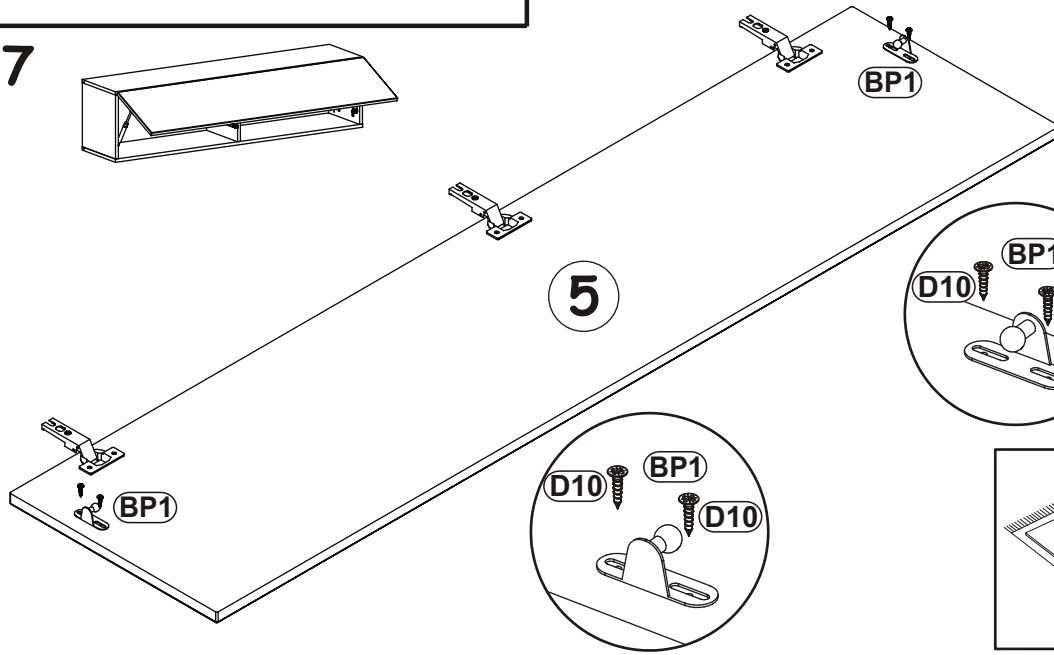


16



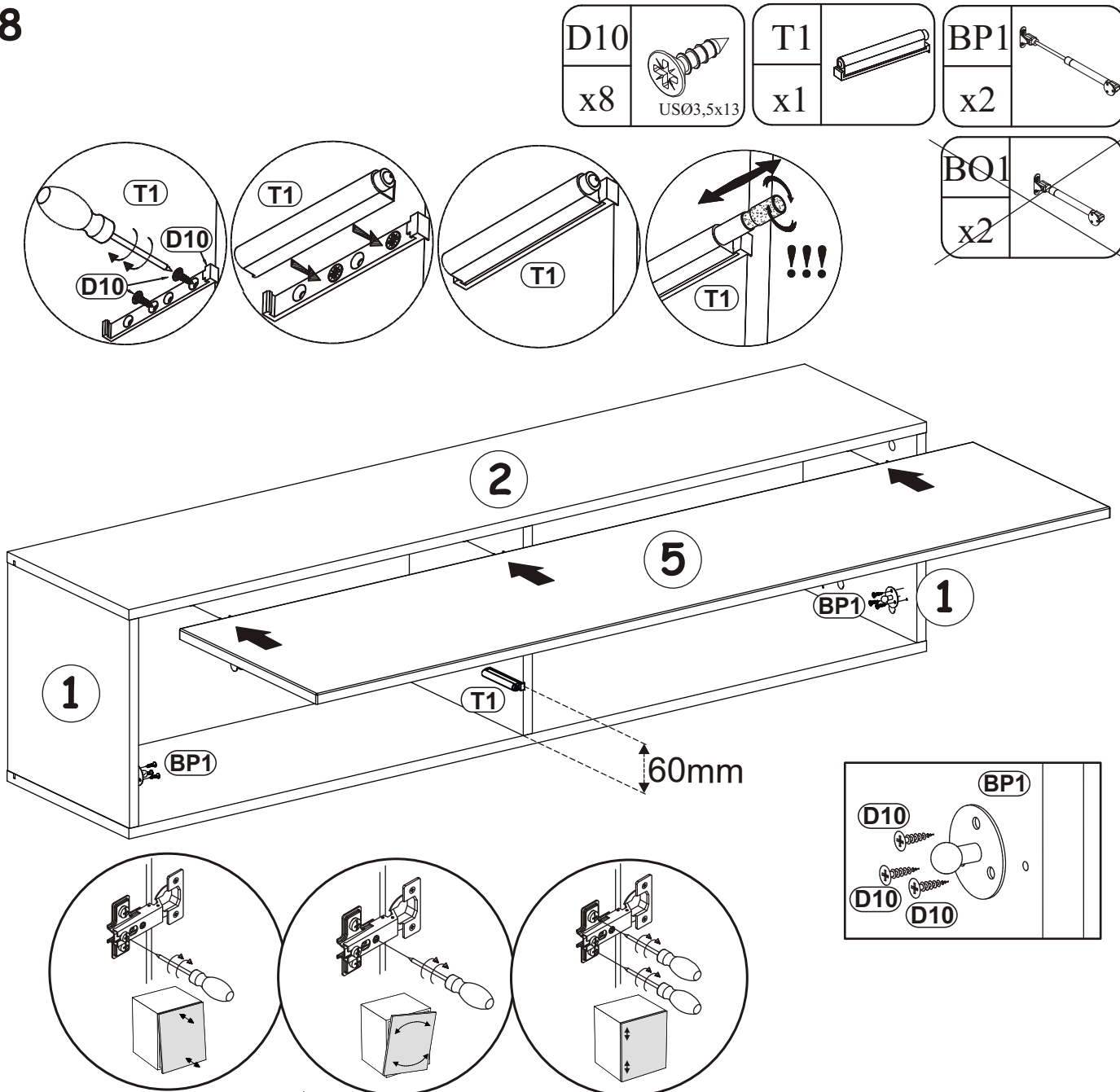
BLOX TYP 23

17



D10	
x4	USØ3,5x13
BP1	
x2	
<del>BQ1</del>	<del></del>
<del>x2</del>	

18



D10		T1		BP1	
x8	USØ3,5x13	x1		x2	
				<del>BQ1</del>	<del></del>
				<del>x2</del>	



19

