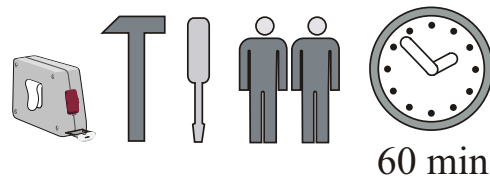
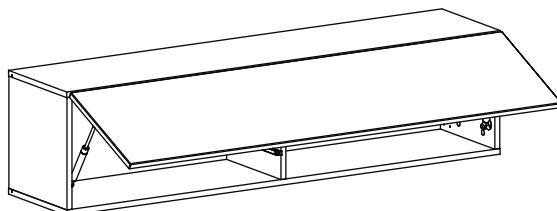
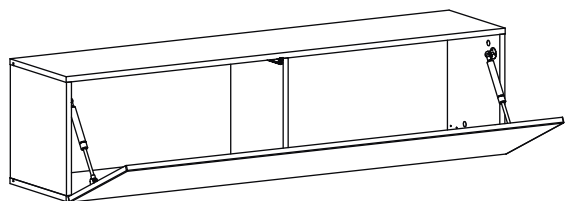
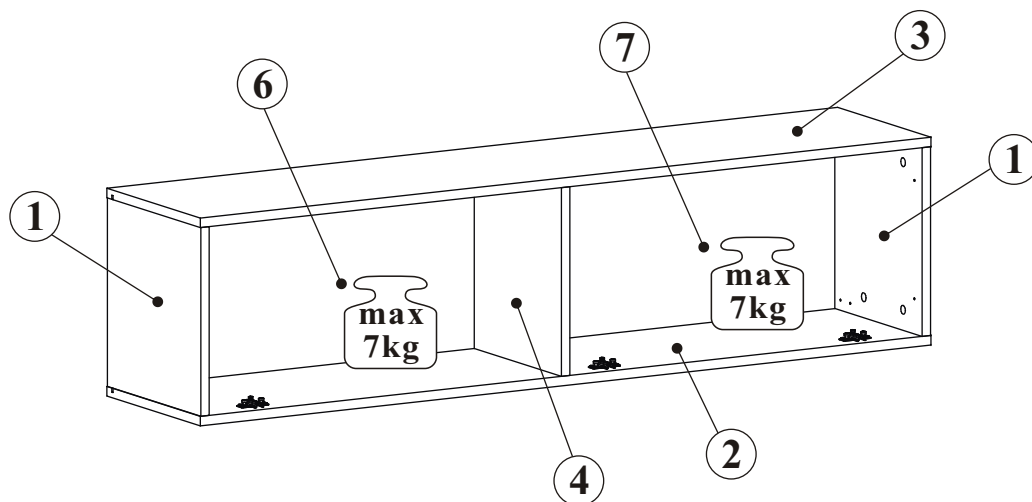
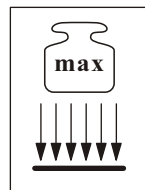
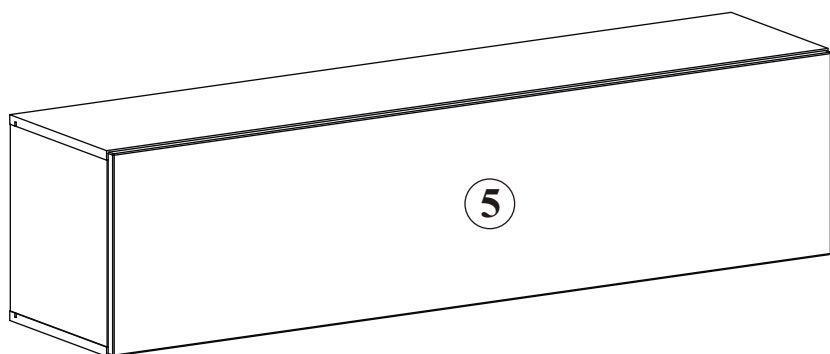


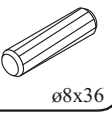
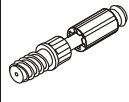


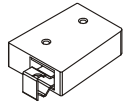

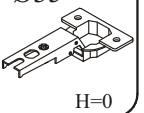
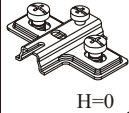

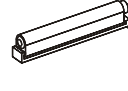

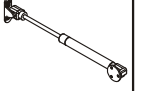
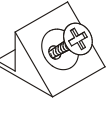
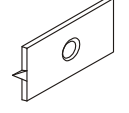

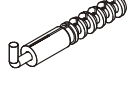

# BLOX TYP 23

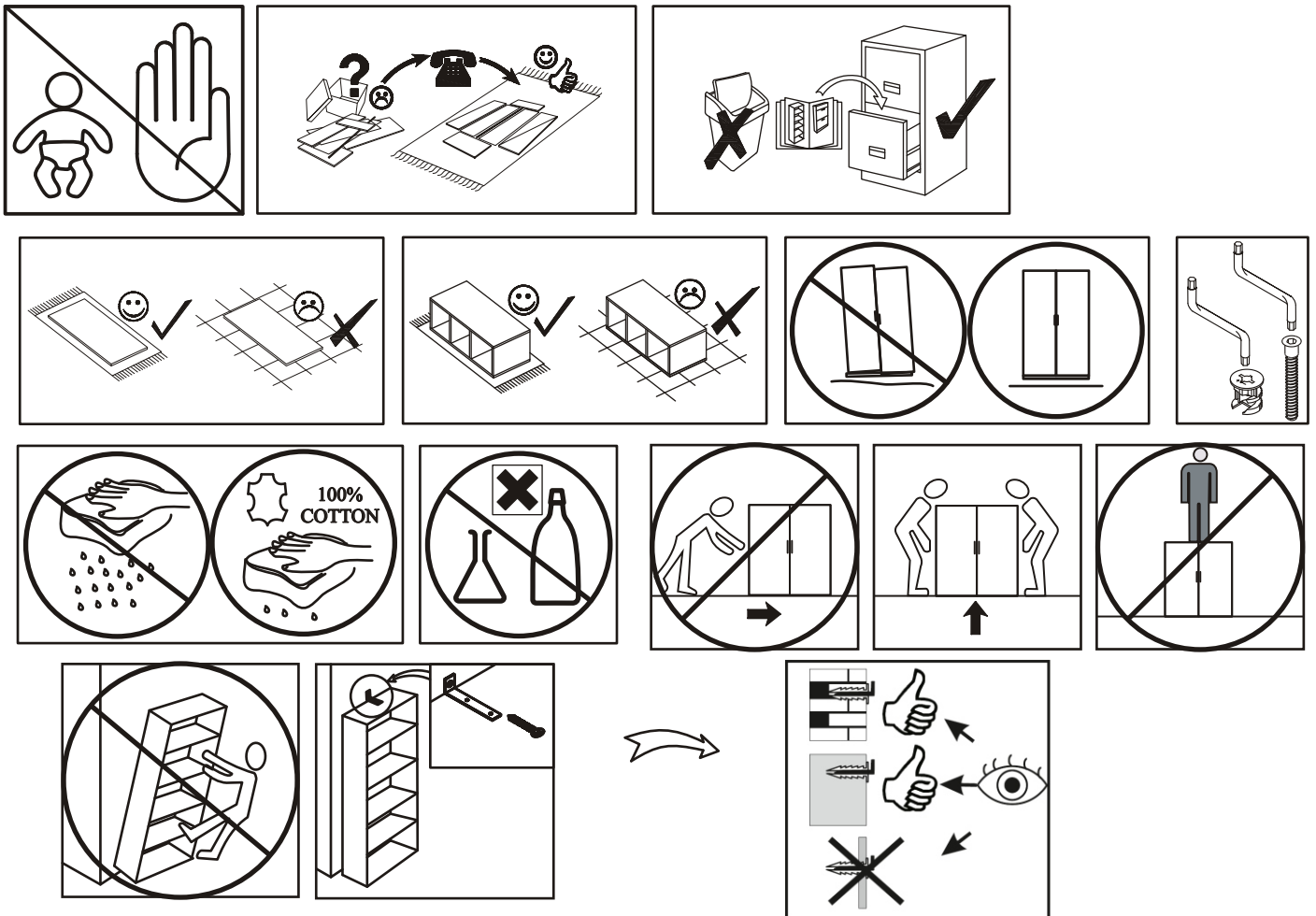
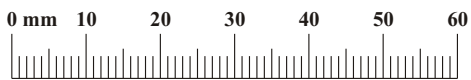


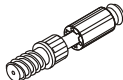
60 min

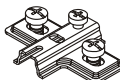
NO	Dim.		Col.-No	Qty
1	317	304	1	2
2	1399	304	1	1
3	1399	304	1	1
4	317	284	1	1
5	1393	343	1	1
6	329	687	1	1
7	329	687	1	1

# BLOX TYP 23

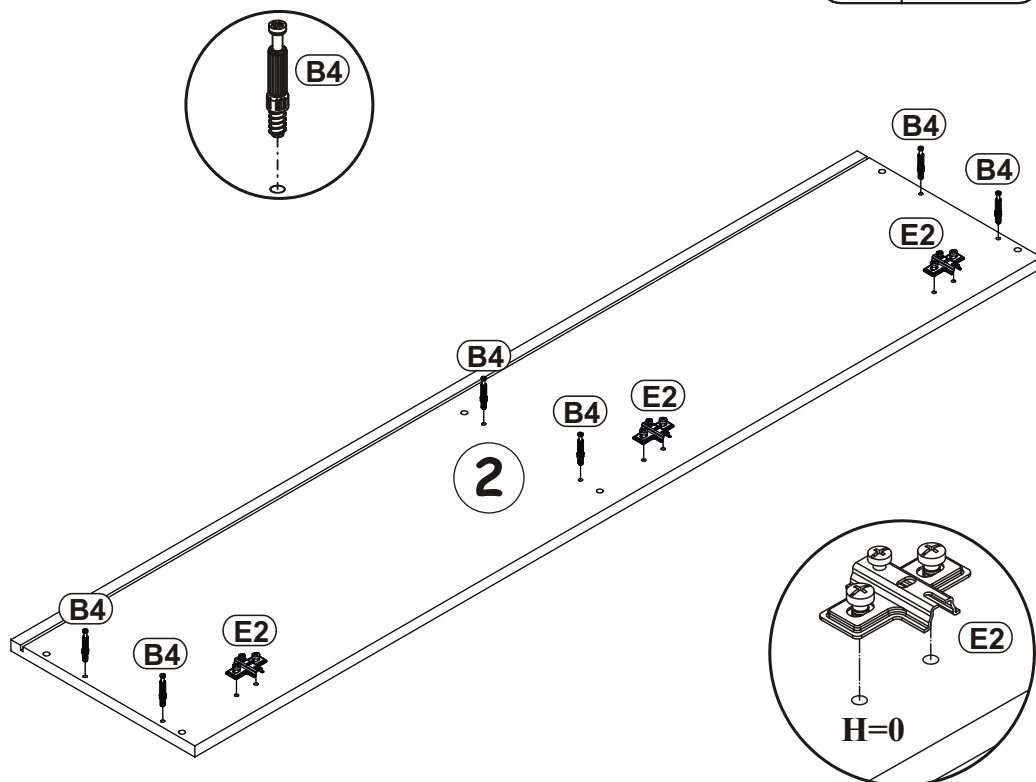
A1 x12  ø8x36	B4 x12 	B5 x12  Ø15x12	G5 x12 	ZR1 x3 	D6 x6  USØ3,5x30
E21 x3 Ø35  H=0	E2 x3  H=0	D10 x28  USØ3,5x13	T1 x1 	BO1 x2 	BP1 x2 
S1 x10 	G16 x2 	UP13 x2  UPØ3x16	KR2 x3 	G2 x1 	



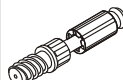
B4	
x6	

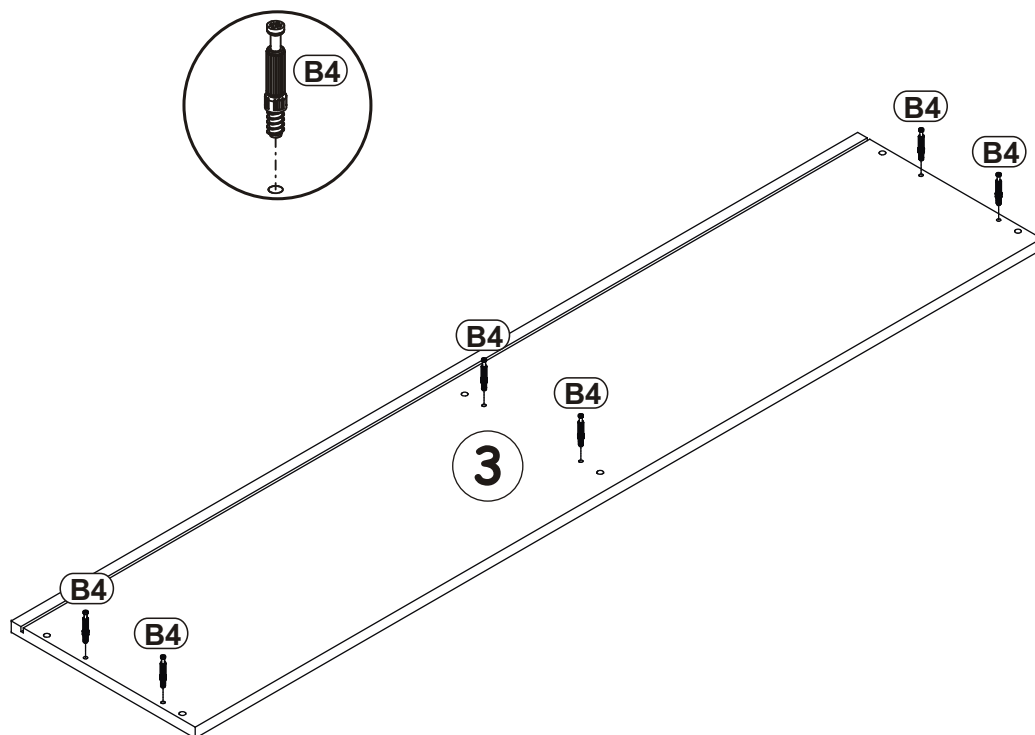
E2	
x3	H=0

1

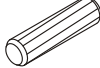



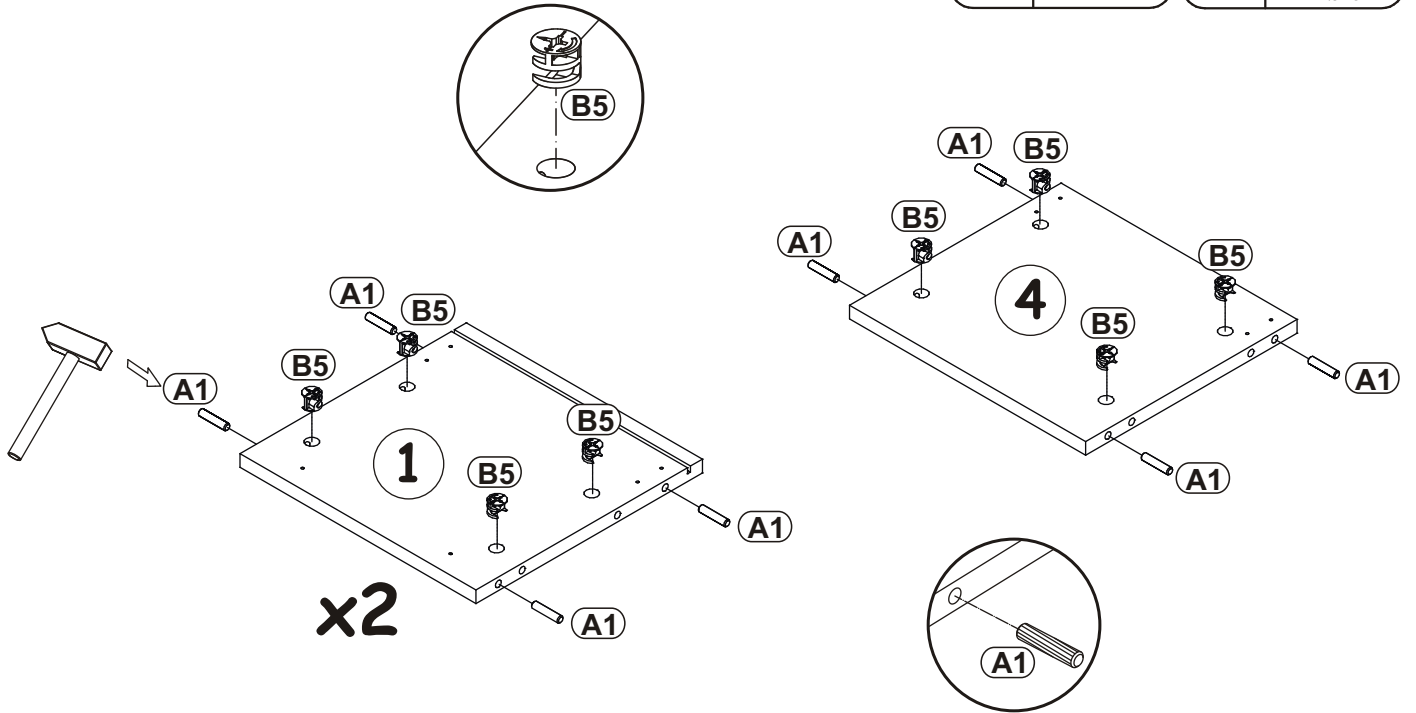
2

B4	
x6	

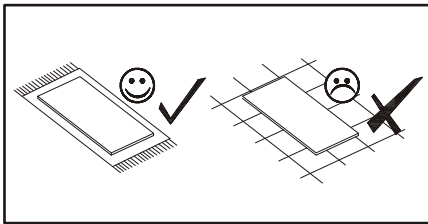


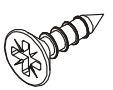
3

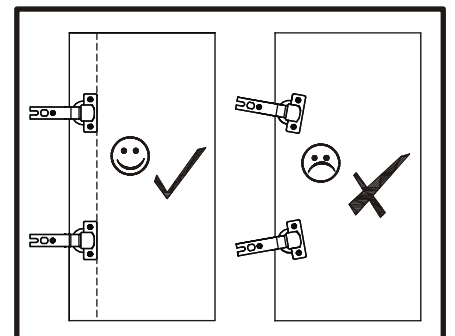
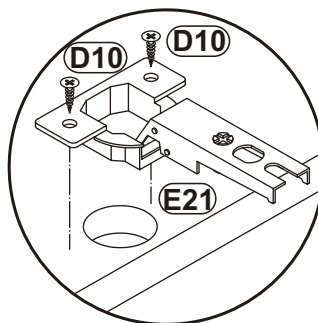
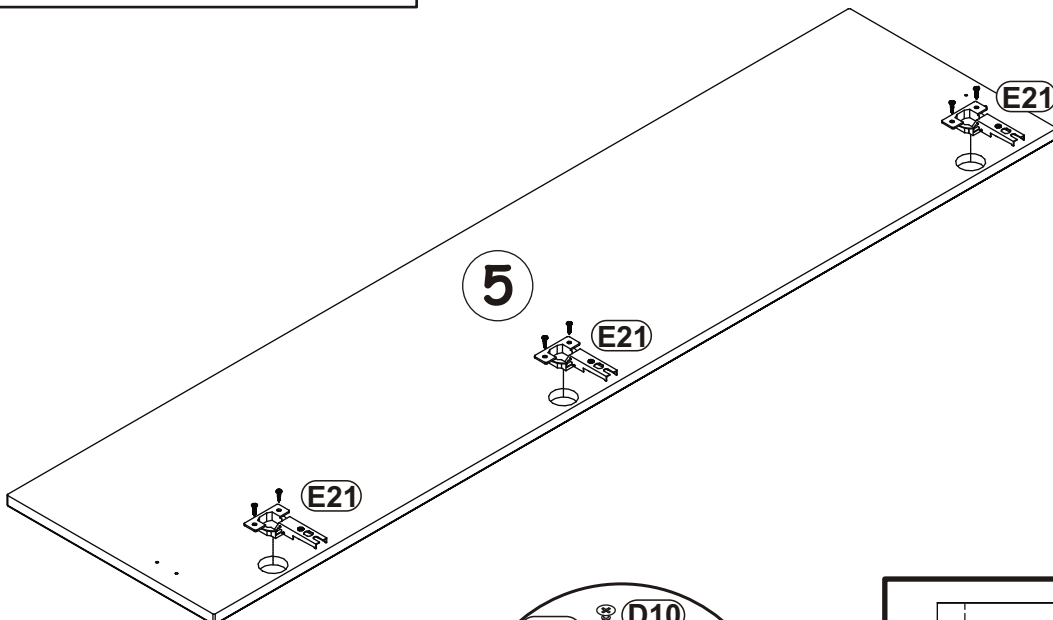
A1		B5	
x12	ø8x36	x12	Ø15x12



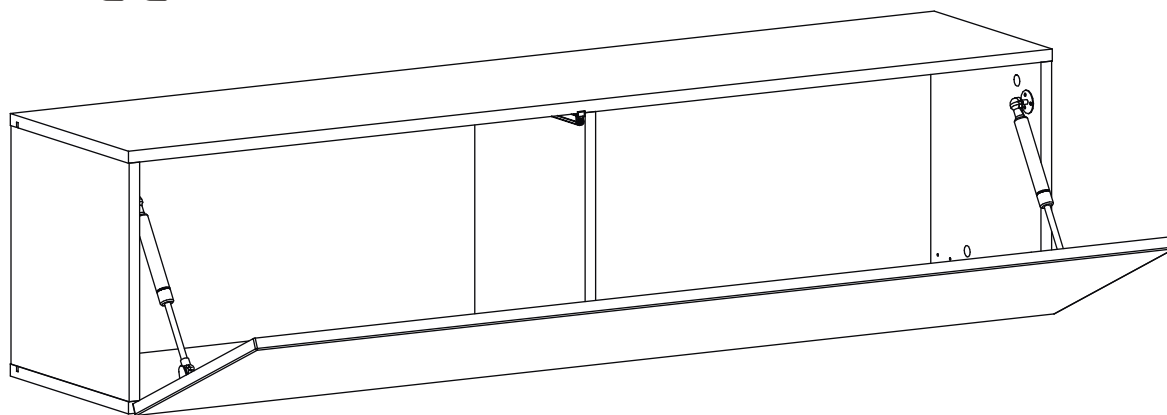
4



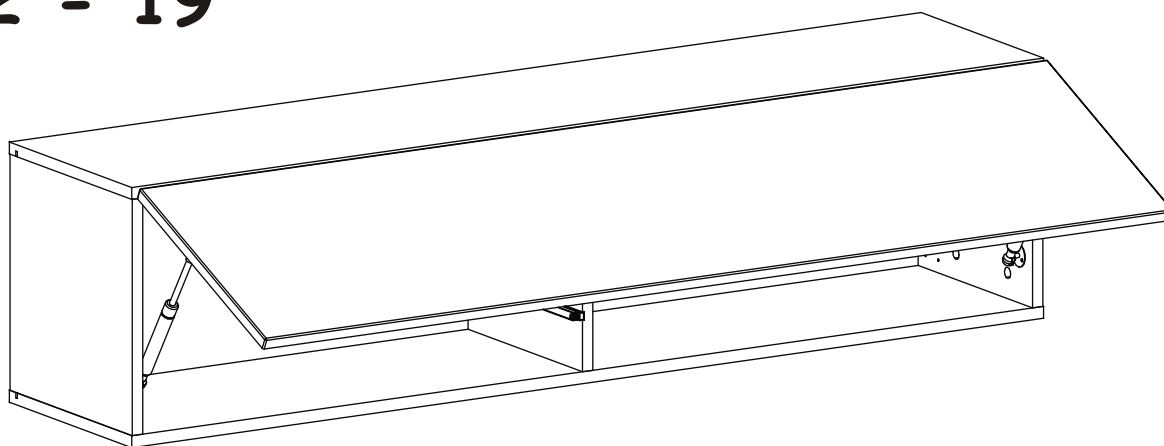
E21	Ø35	D10	
x3	H=0	x6	USØ3,5x13

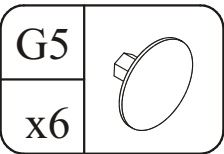


**5 - 11**

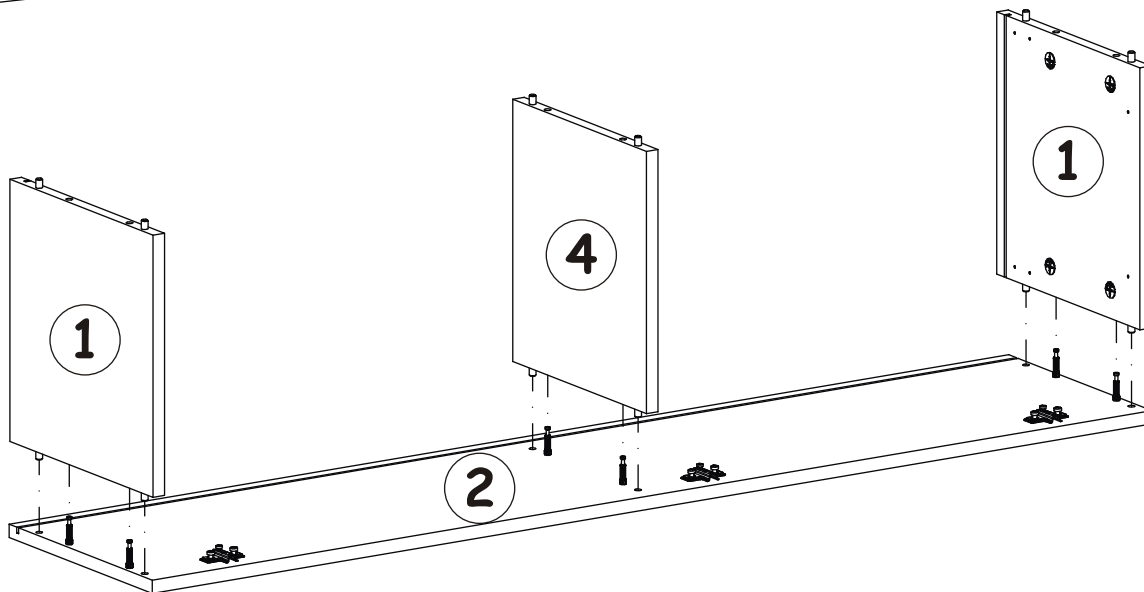
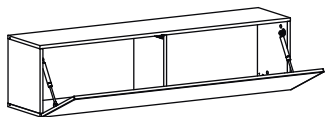


**12 - 19**

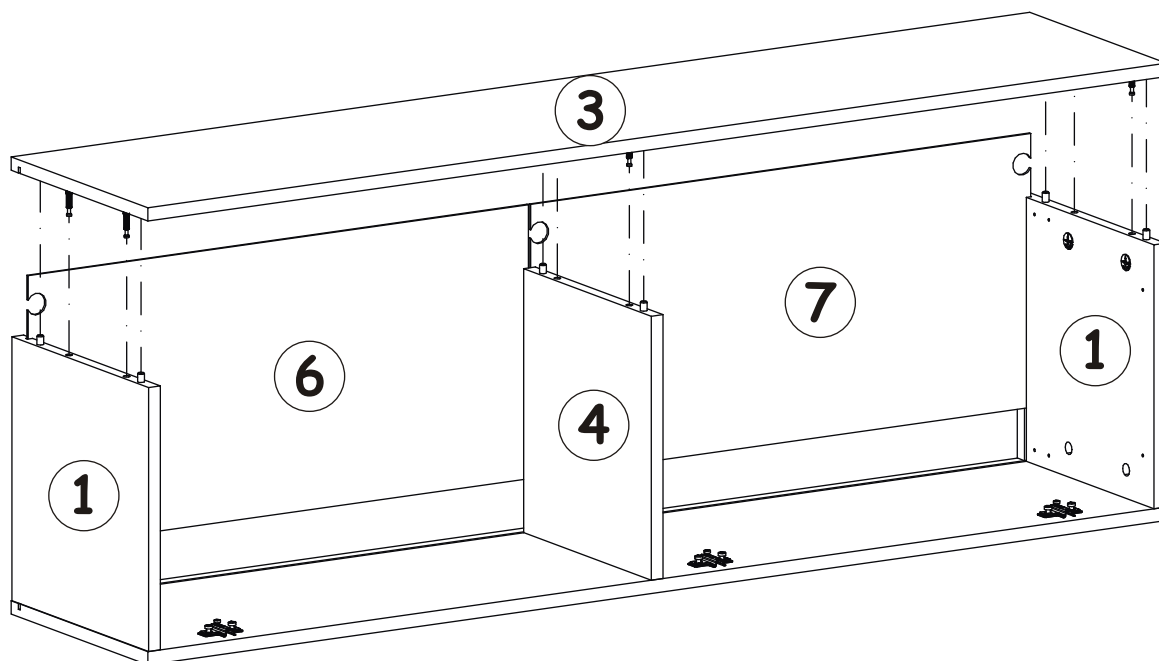
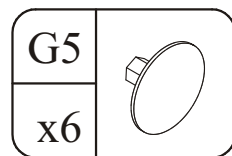
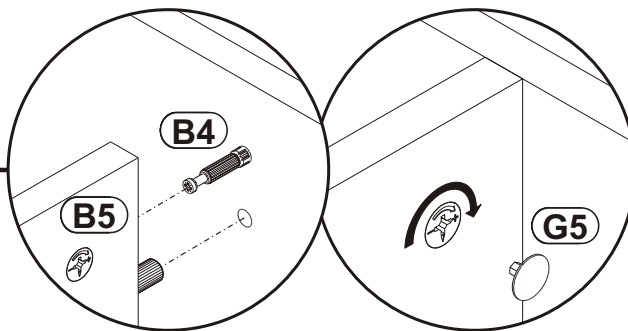




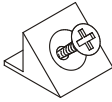
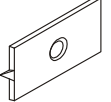
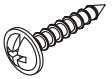
5



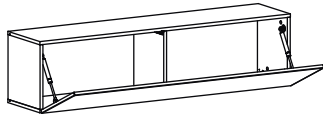
6



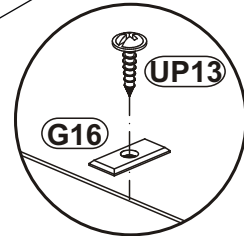
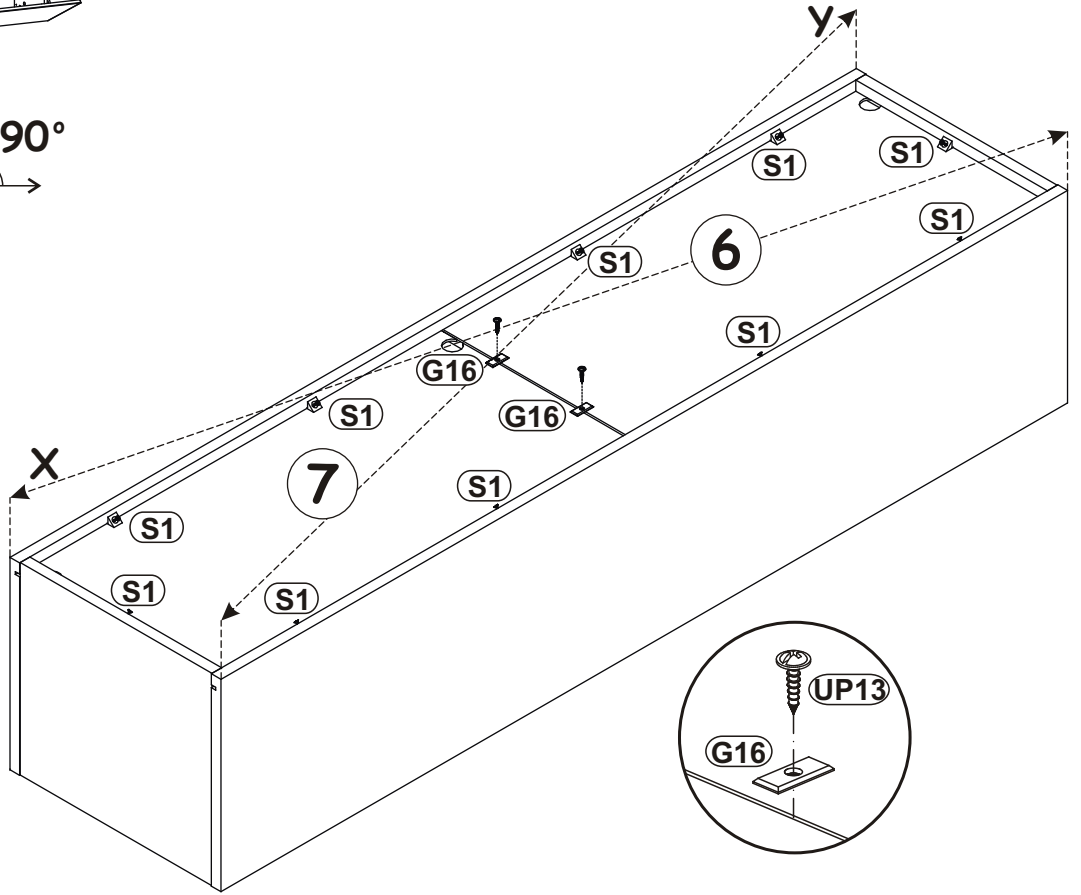
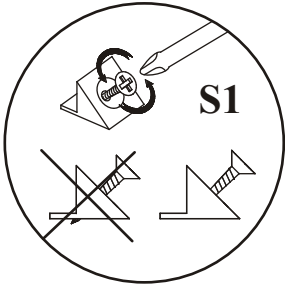
BLOX TYP 23

S1		G16		UP13	
x10		x2		x2	UPØ3x16

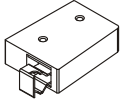

7

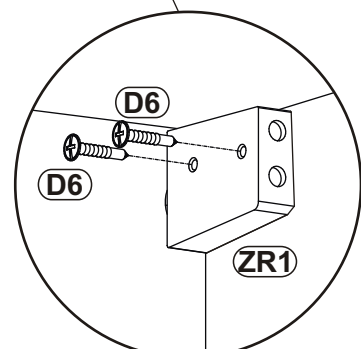
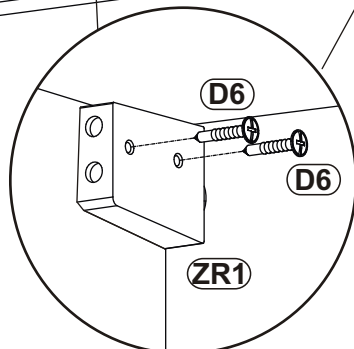
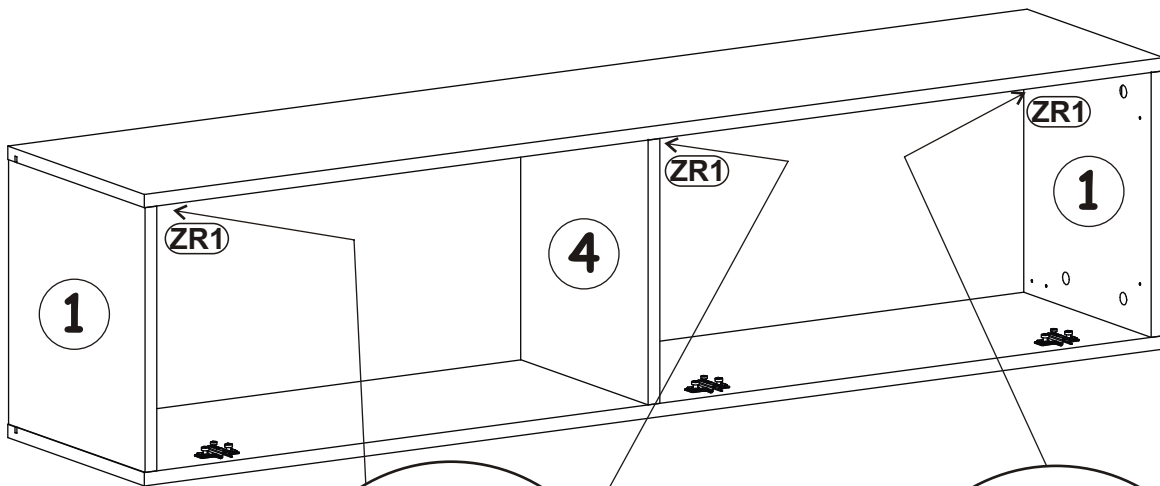


X=Y 90°

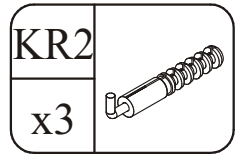


8

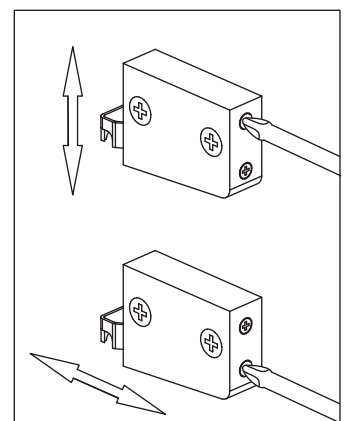
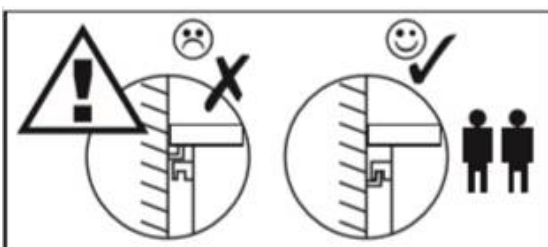
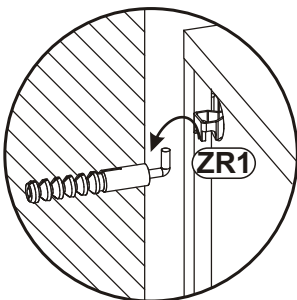
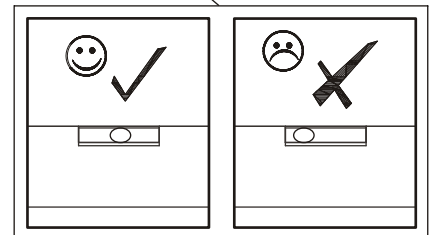
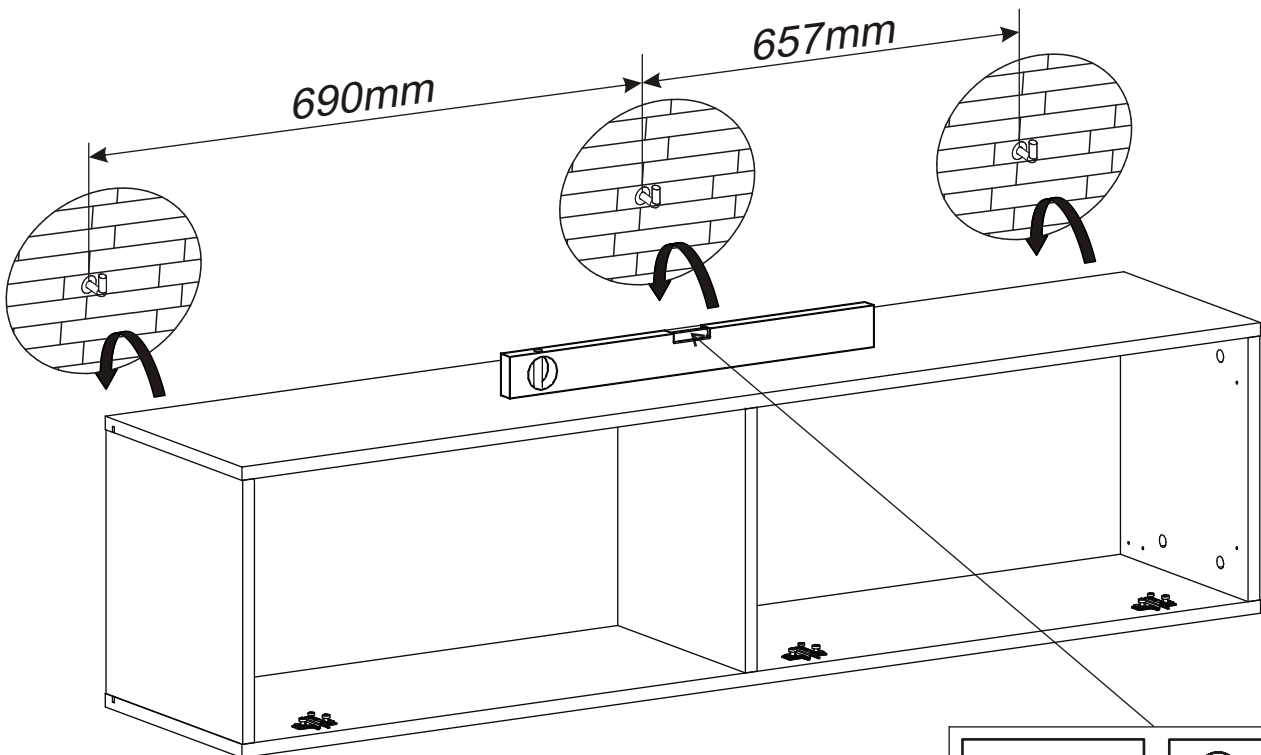
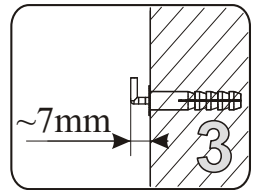
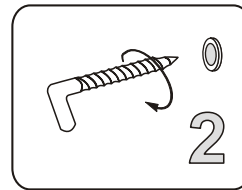
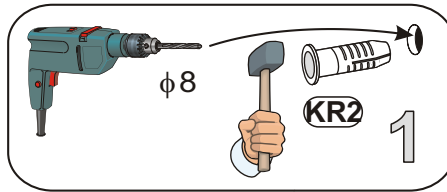
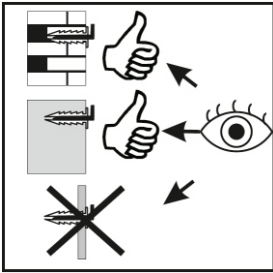
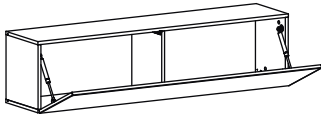
ZR1		D6	
x3		x6	USØ3,5x30



BLOX TYP 23



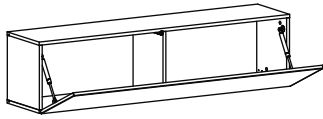
9

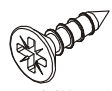






BLOX TYP 23

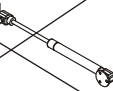
10

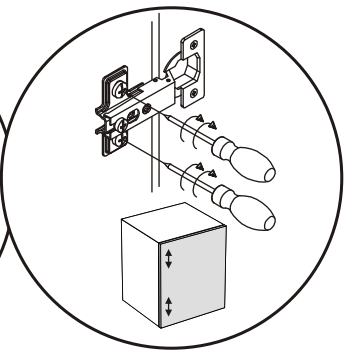
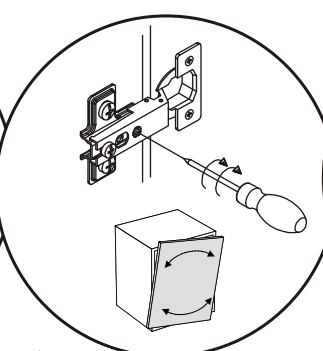
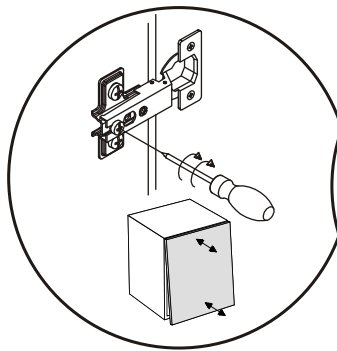
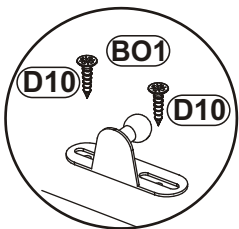
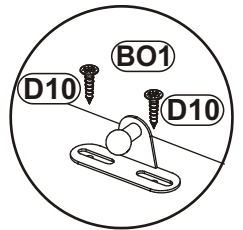
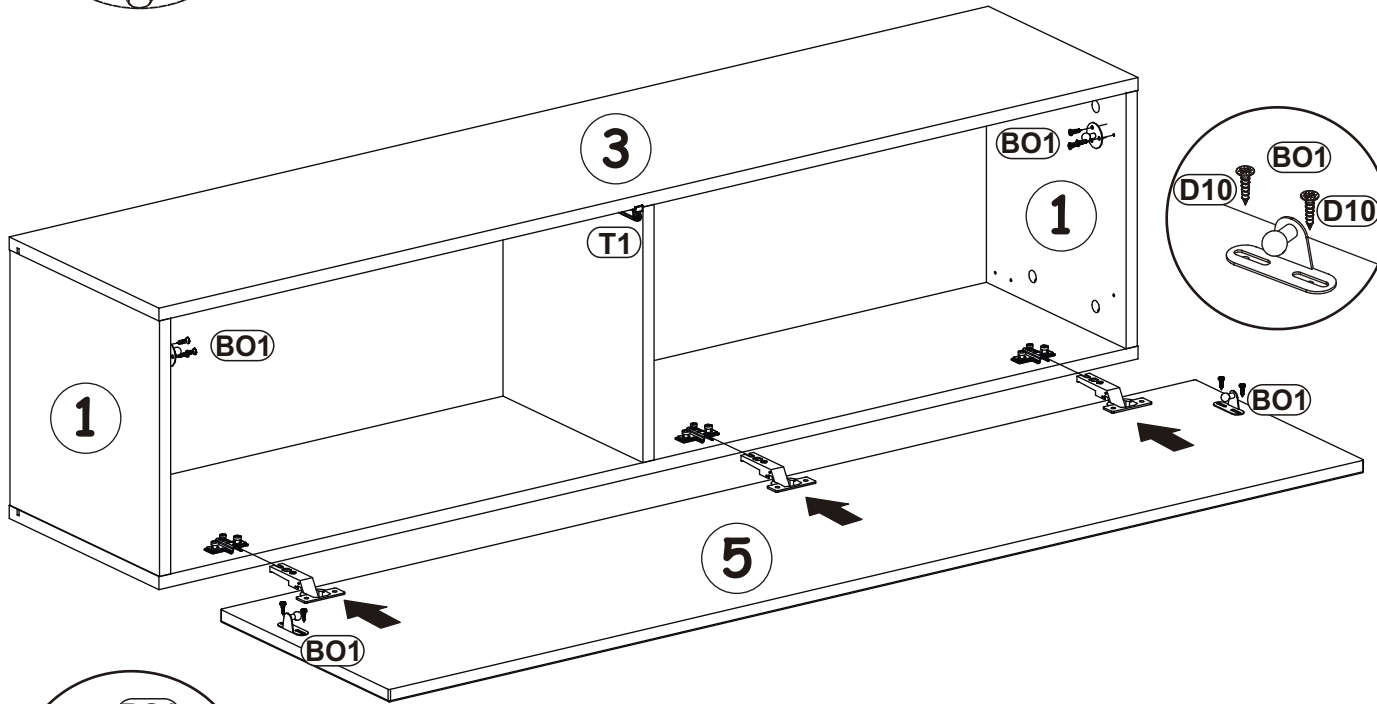
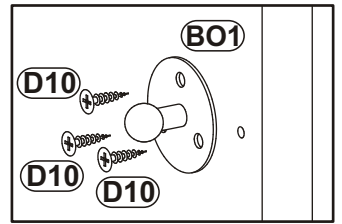
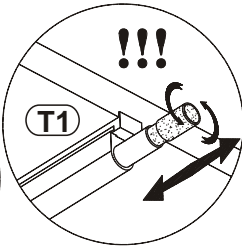
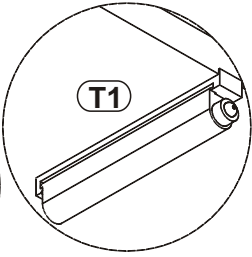
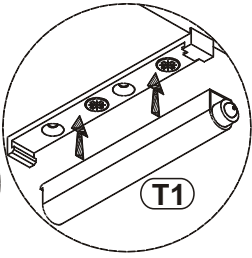
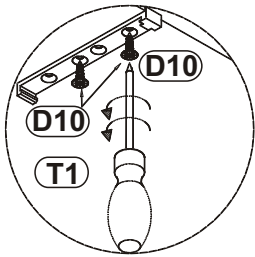


D10	
x12	USØ3,5x13

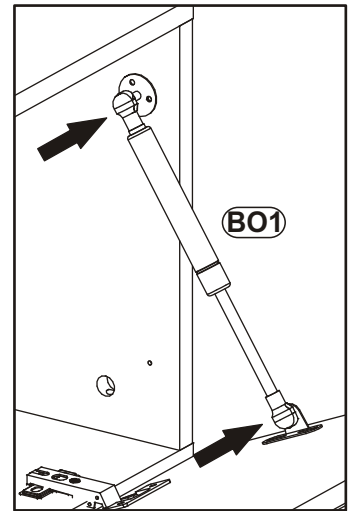
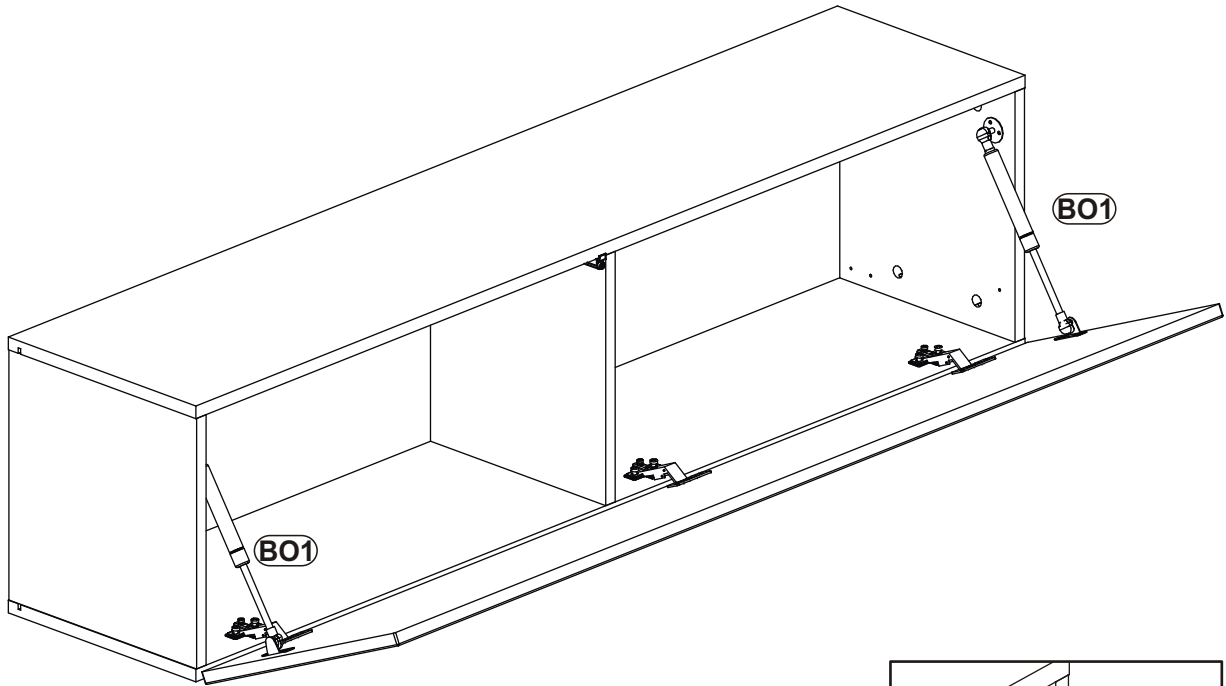
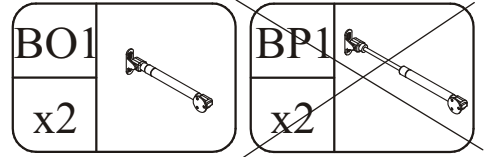
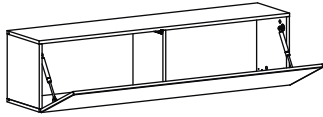
T1	
x1	

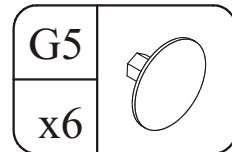
BO1	
x2	

<del>BP1</del>	<del></del>
<del>x2</del>	

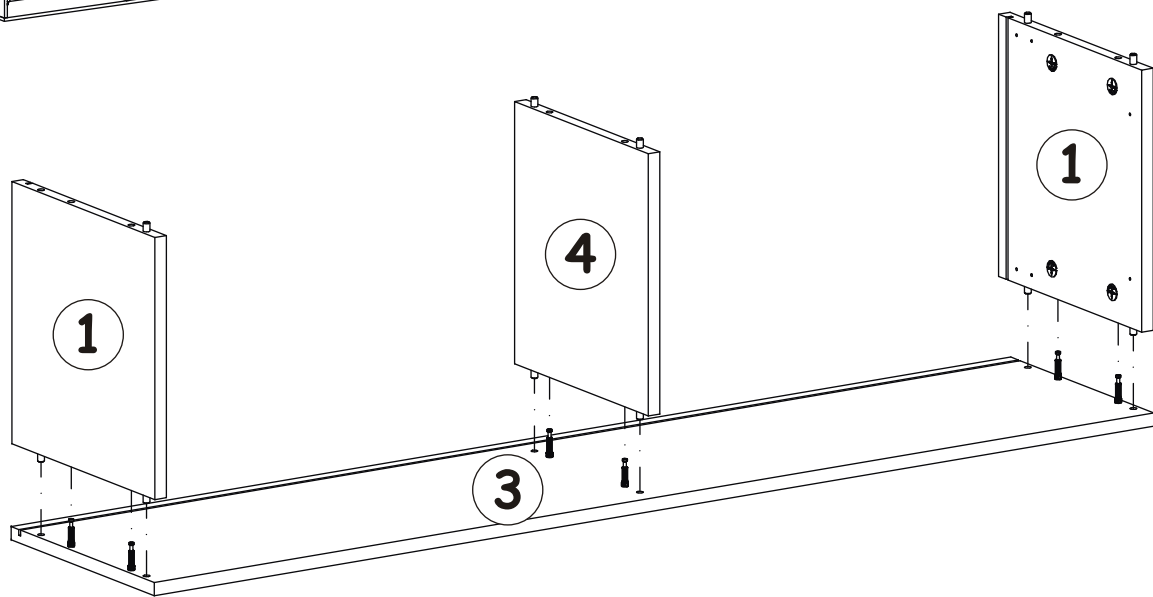
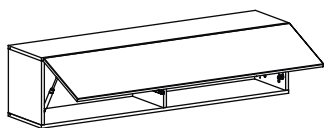


11

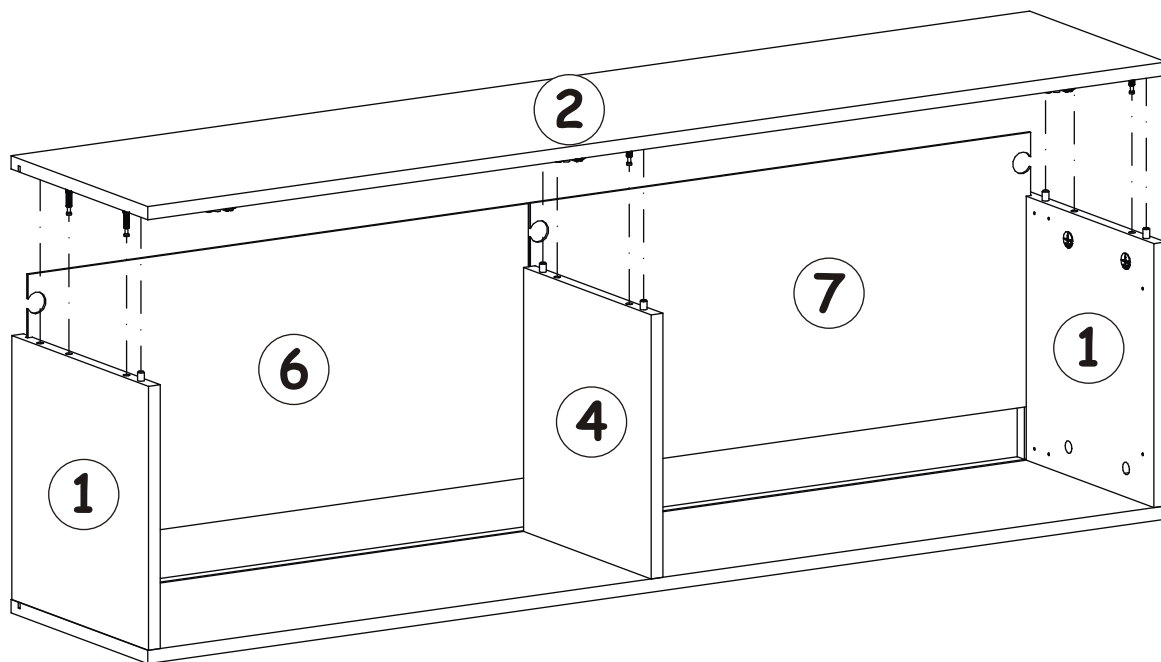
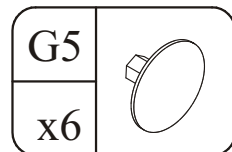
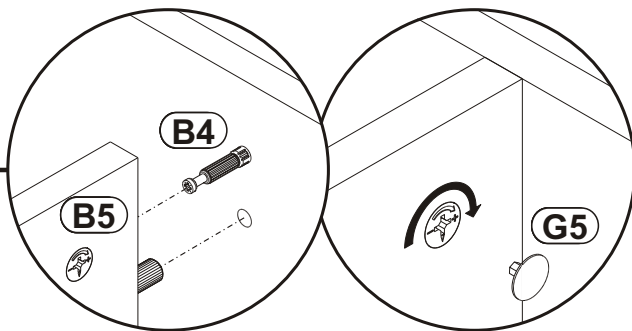




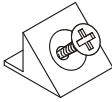
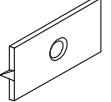
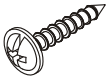
12



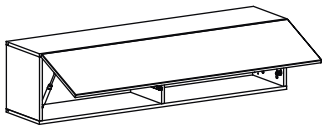
13



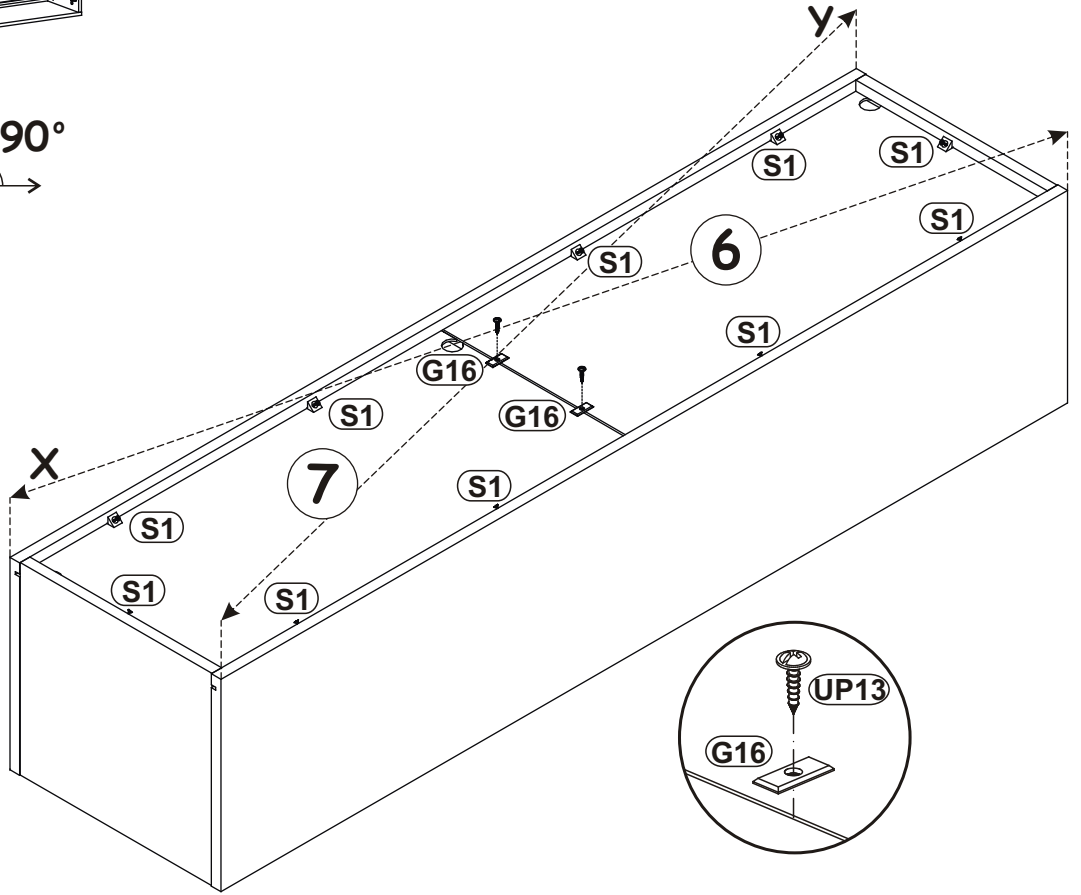
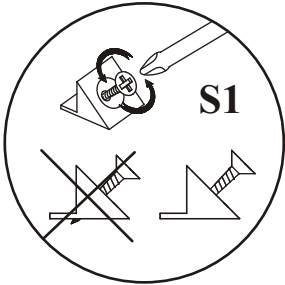
BLOX TYP 23

S1		G16		UP13	
x10		x2		x2	UPØ3x16

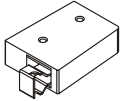
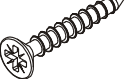
14

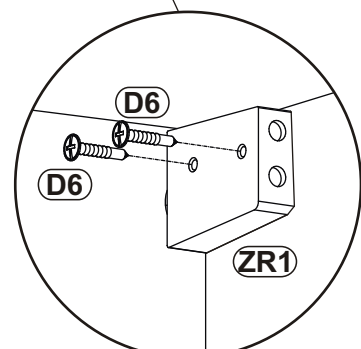
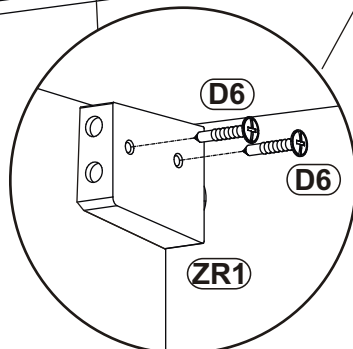
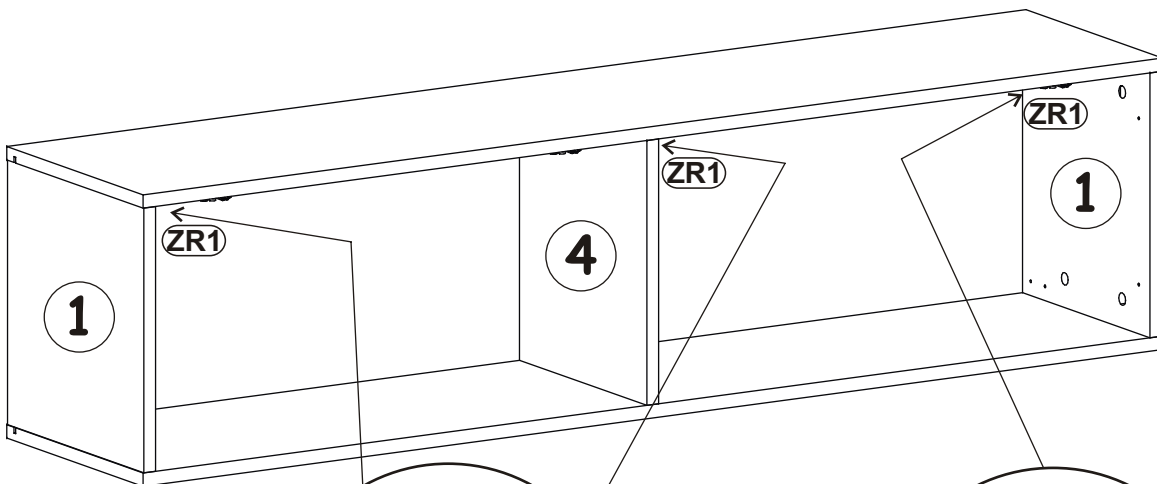


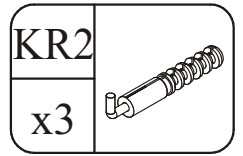
X=Y 90°



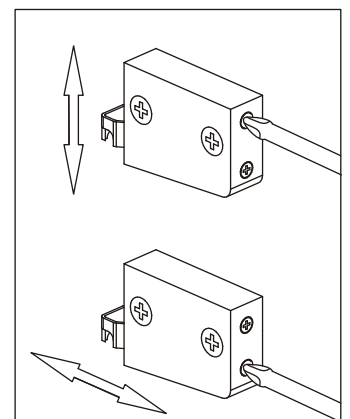
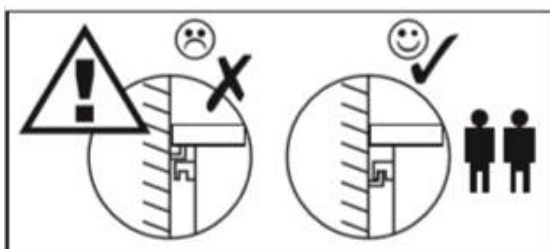
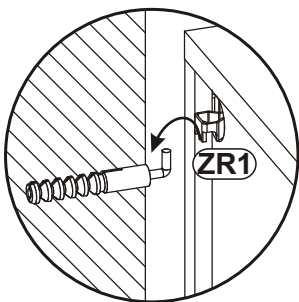
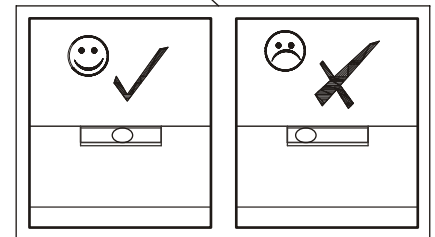
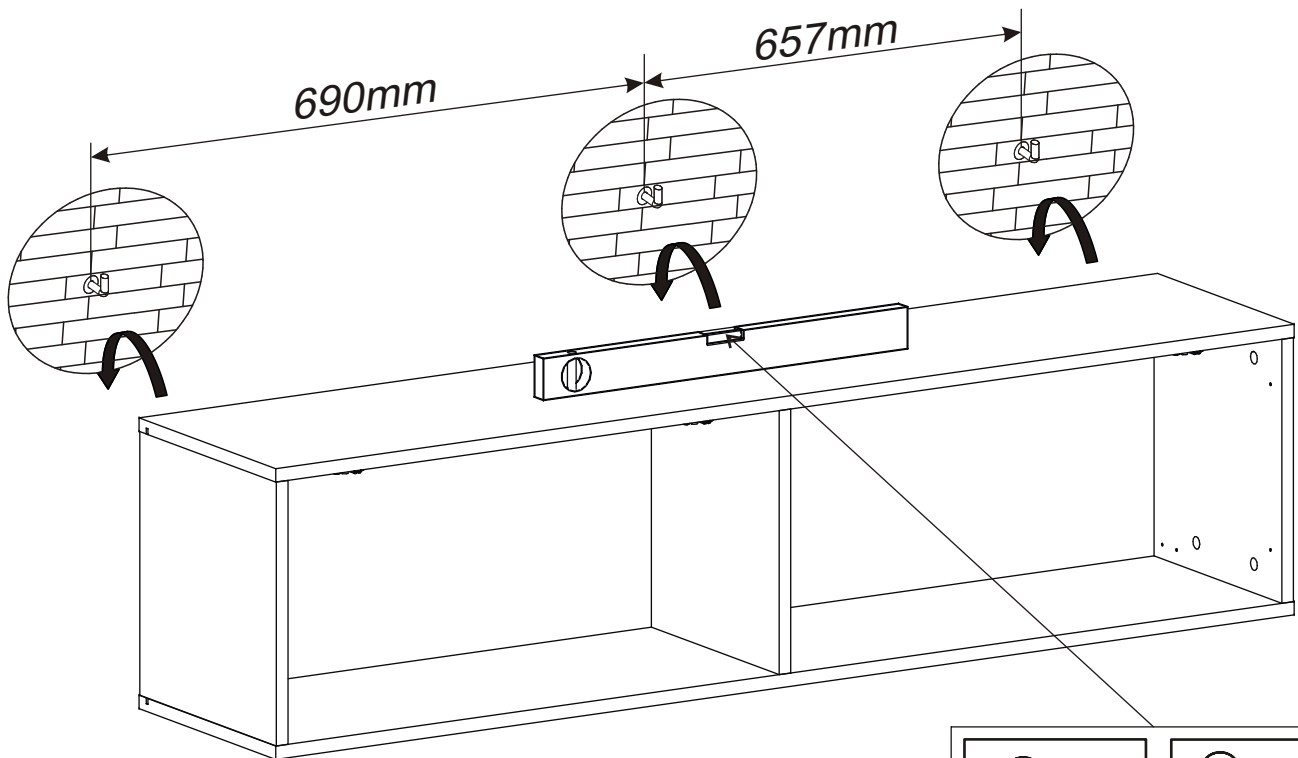
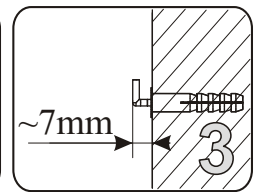
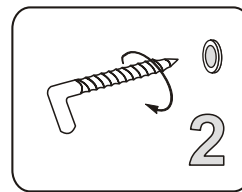
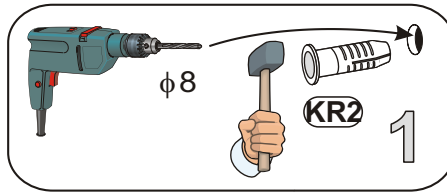
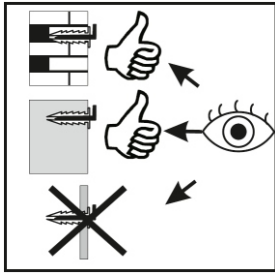
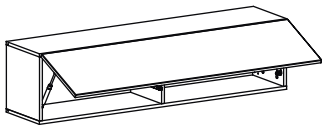
15

ZR1		D6	
x3		x6	USØ3,5x30



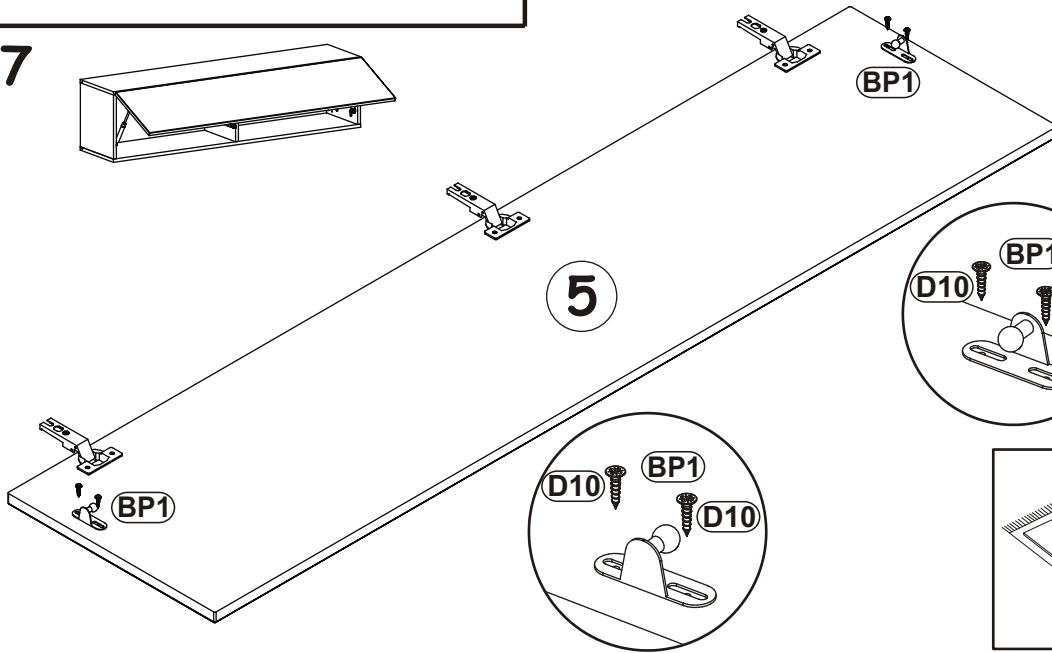


16



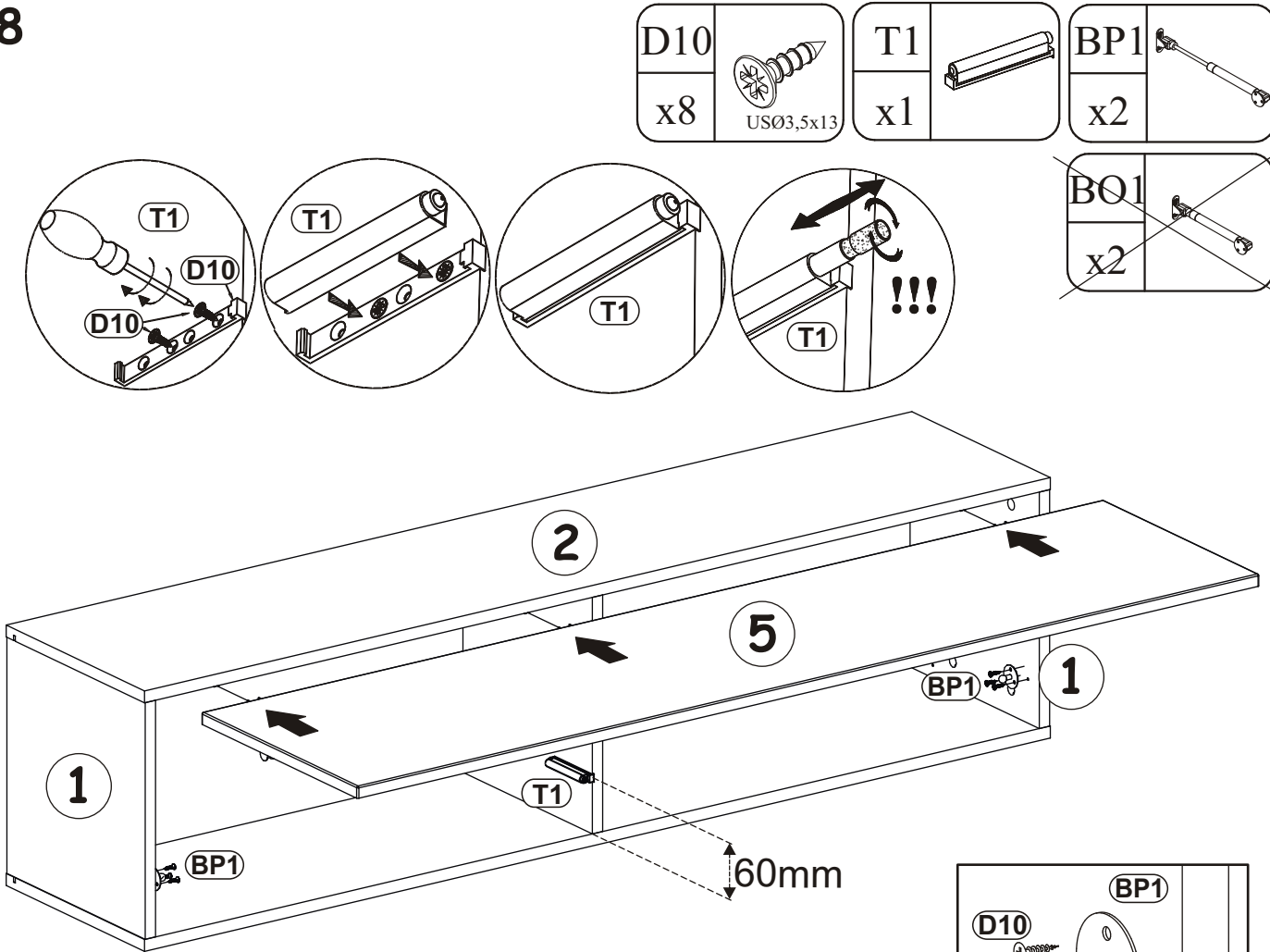
BLOX TYP 23

17

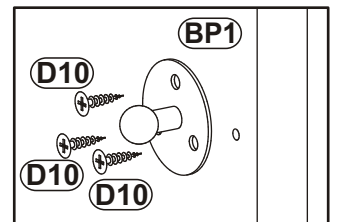
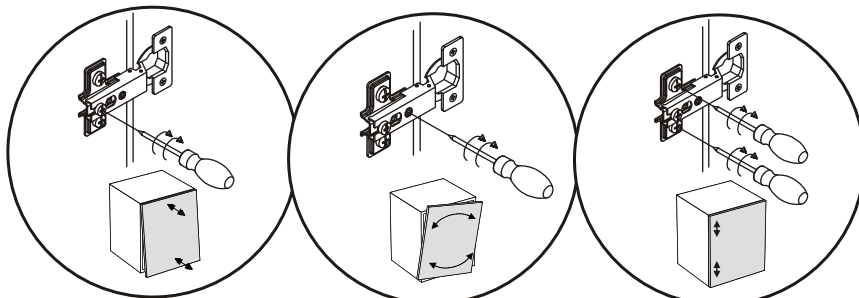


D10	
x4	USØ3,5x13
BP1	
x2	
<del>BQ1</del>	<del></del>
<del>x2</del>	

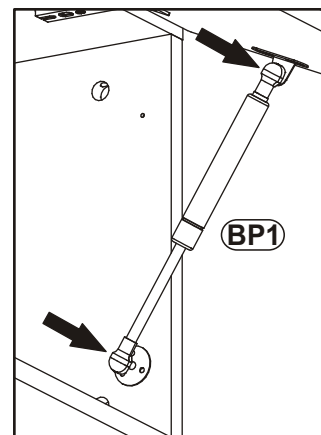
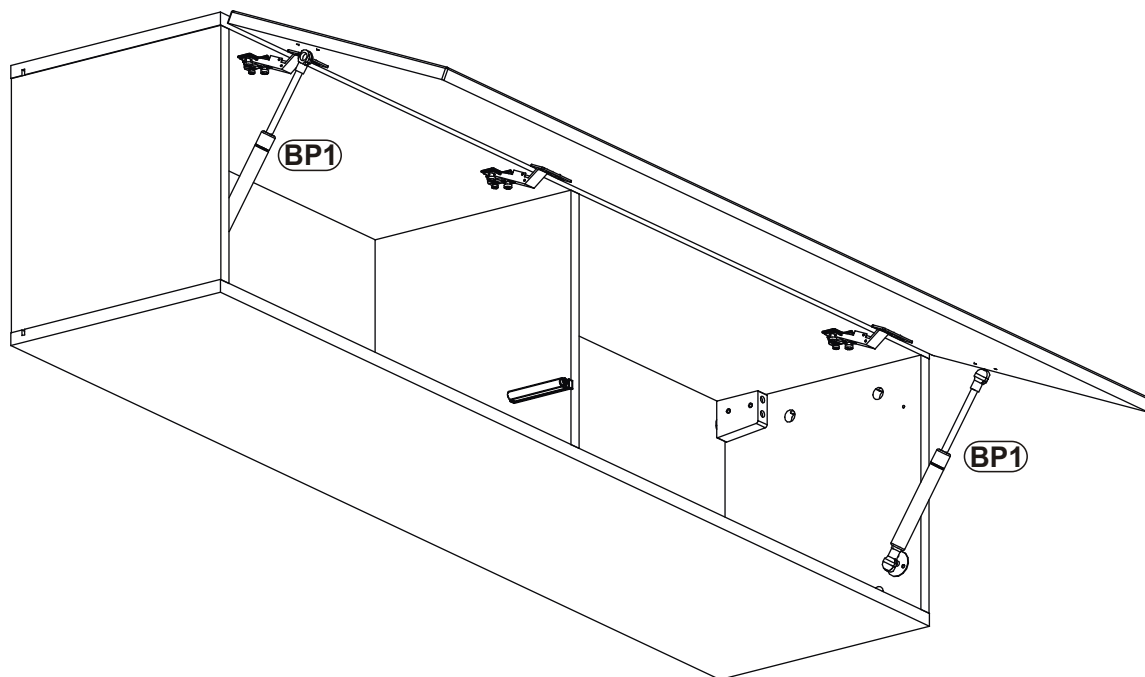
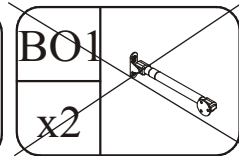
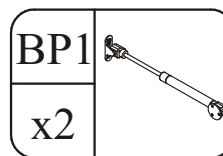
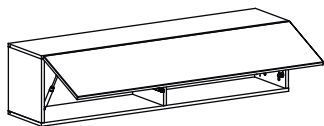
18



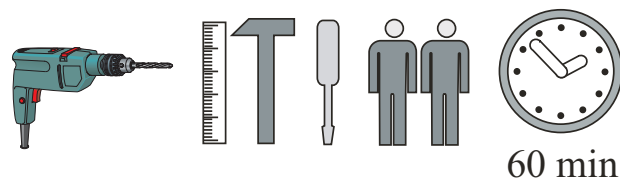
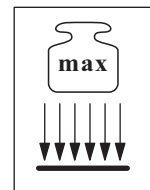
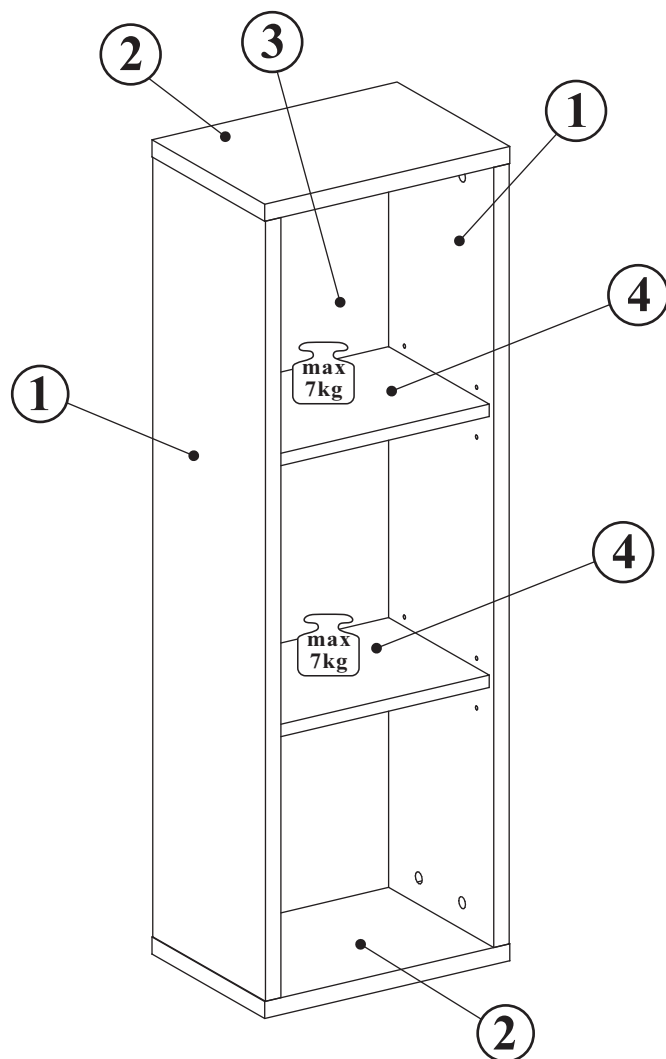
D10		T1		BP1	
x8	USØ3,5x13	x1		x2	
<del>BQ1</del>		<del>x2</del>		<del></del>	



19



# BLOX TYP - 16

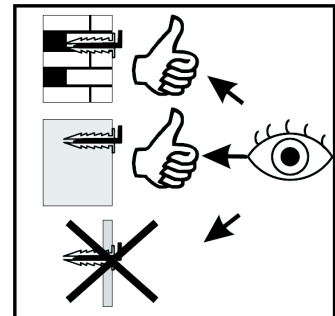
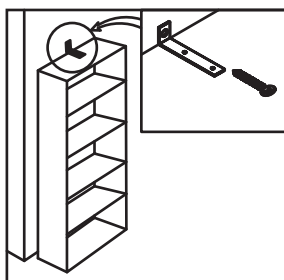
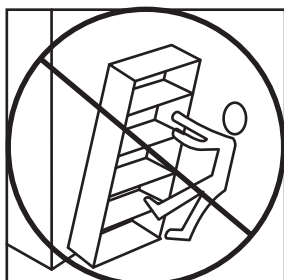
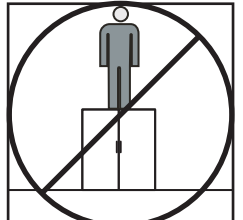
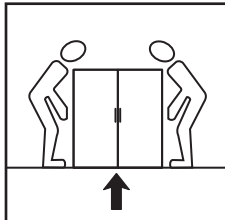
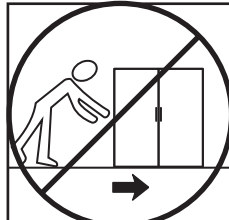
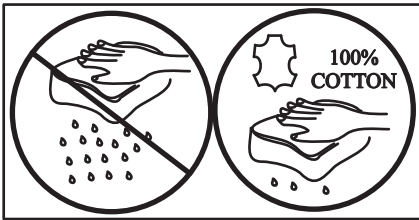
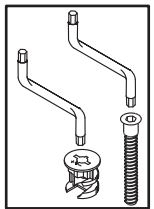
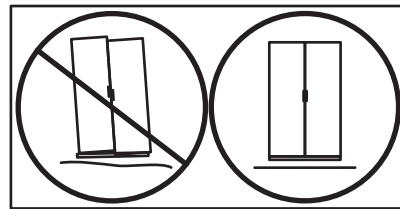
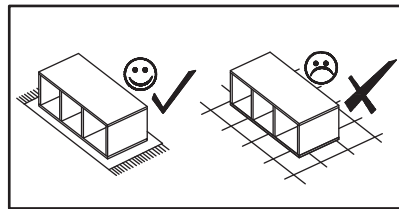
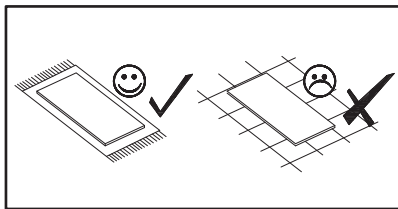
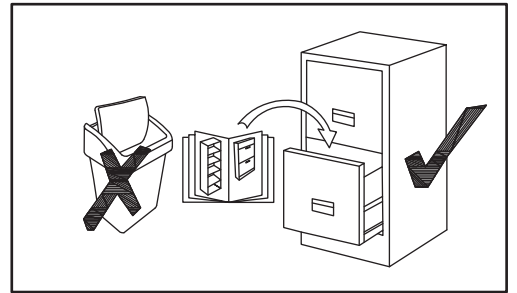
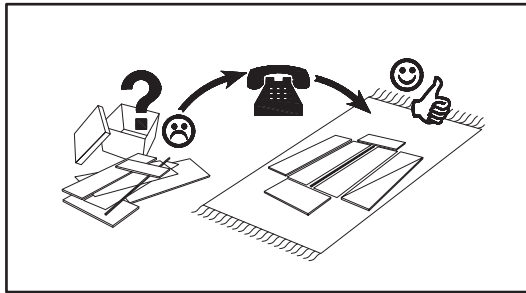
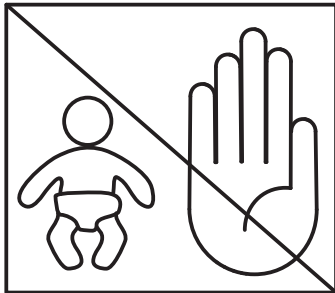
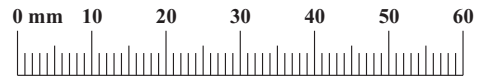


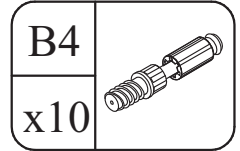
NO	Dim.		Col.-No	Qty
1	1005	250	1	2
2	349	250	1	2
3	1005	303	1	1
4	303	223	1	2



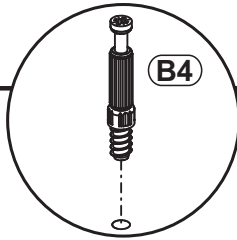
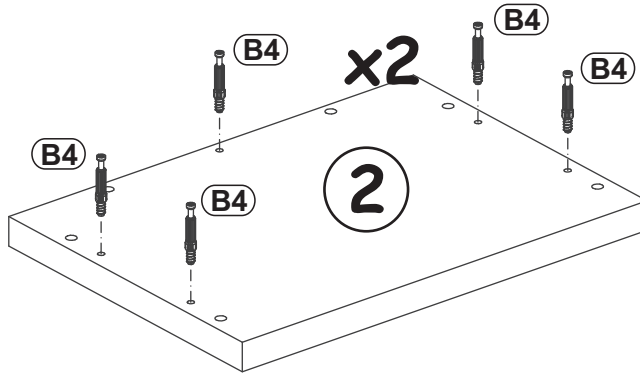
# BLOX TYP - 16

A1 x20 ø8x36	B4 x18	B5 x10 ø15x12	B16 x8 Ø15x16	G5 x18	D28 x4 ESØ6x9,5
KR2 x2	ZM1 x2	G2 x1	G7 x8		

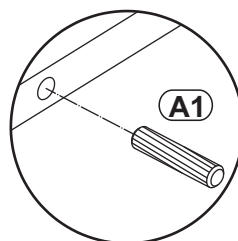
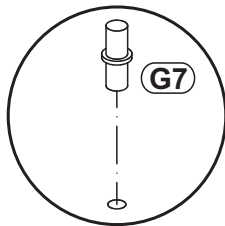
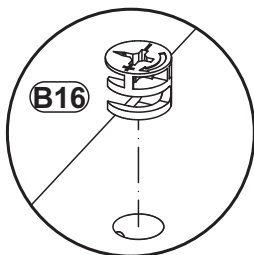
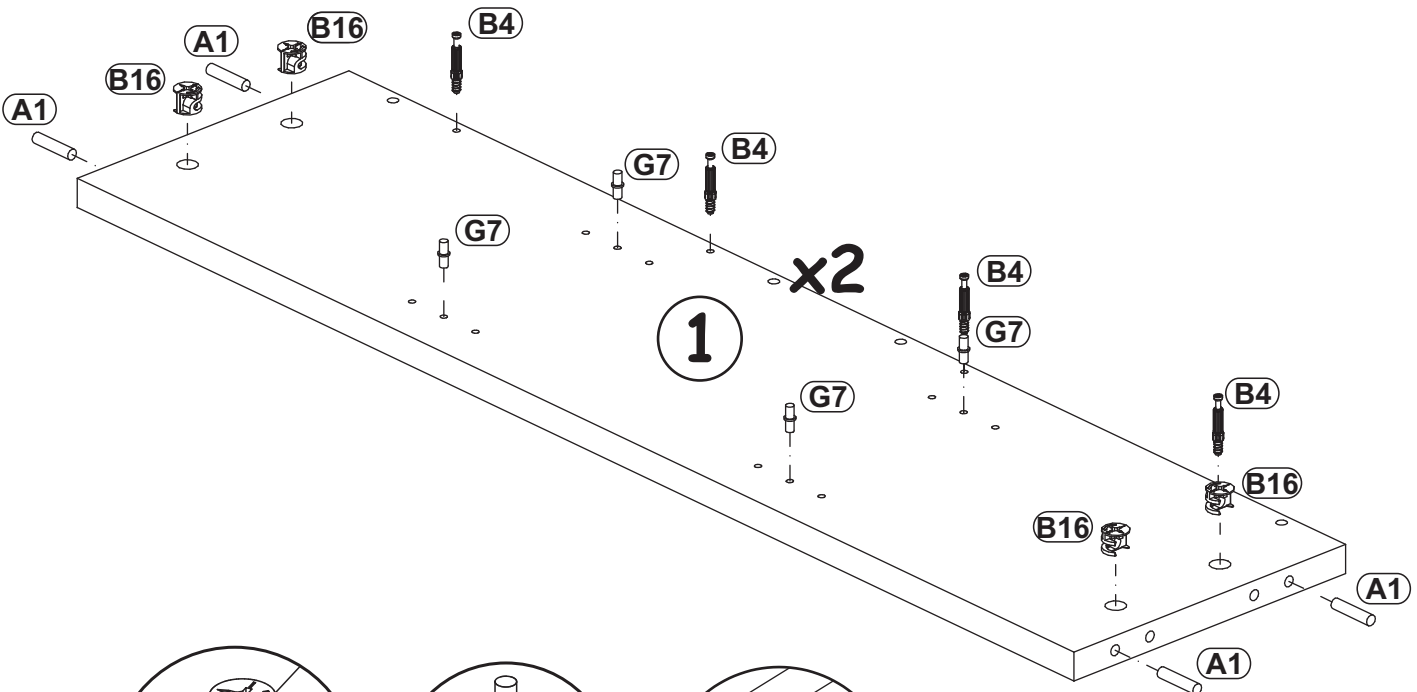
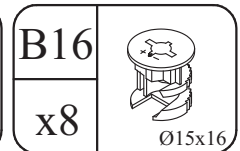
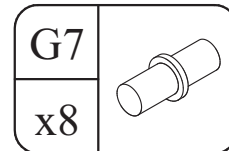
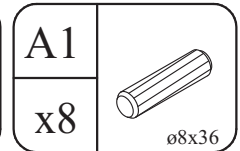
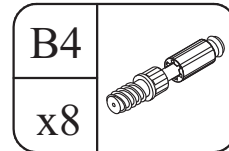
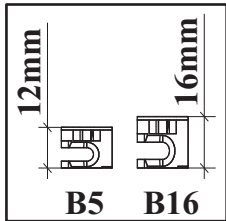




1



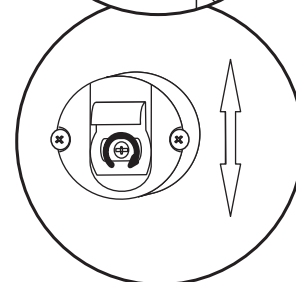
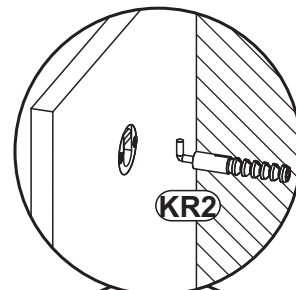
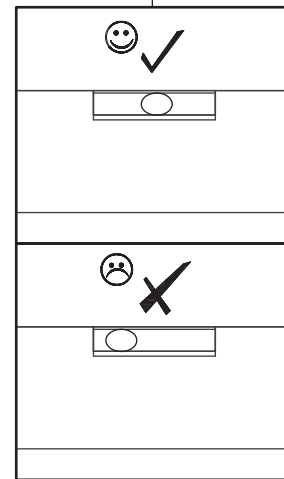
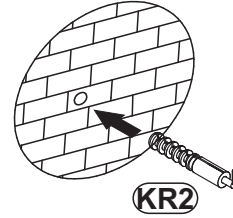
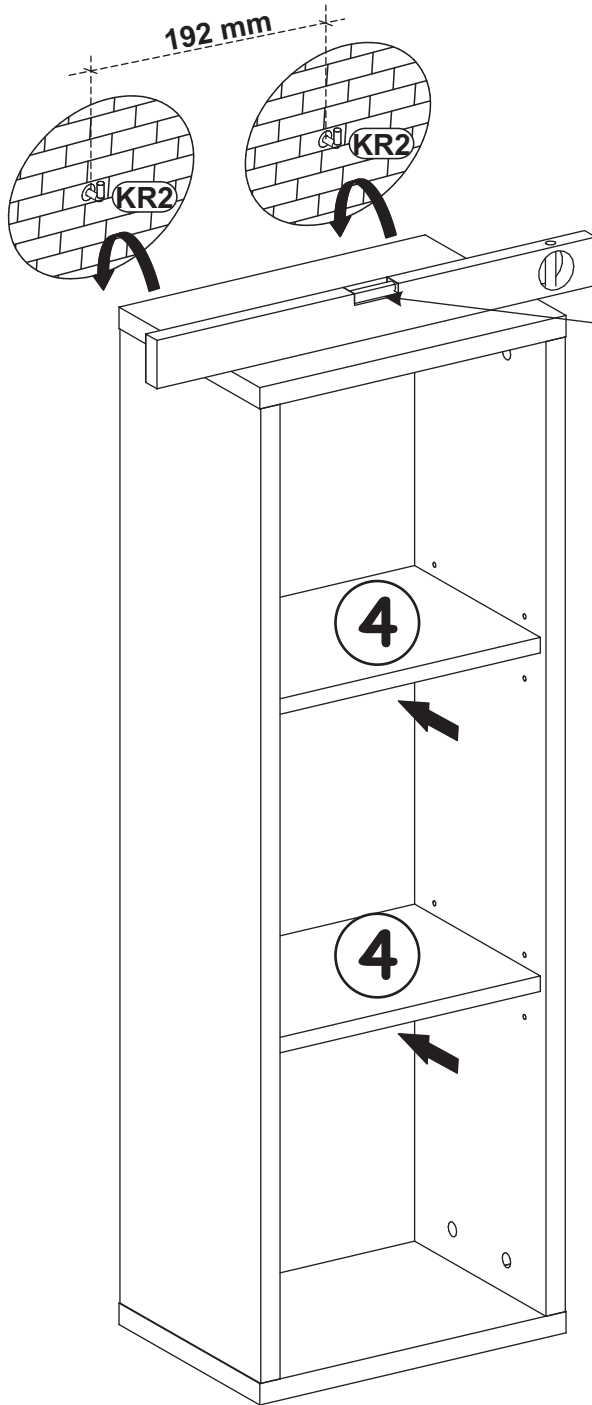
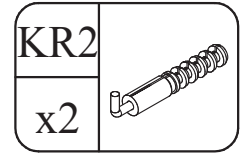
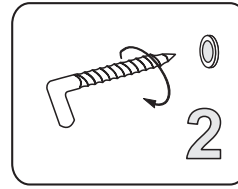
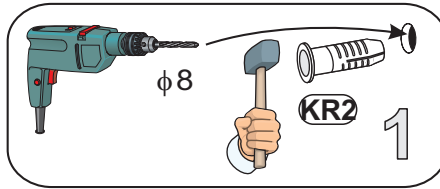
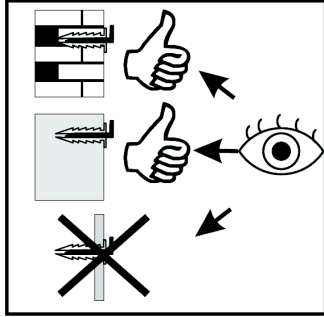
2



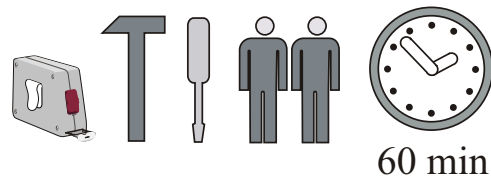
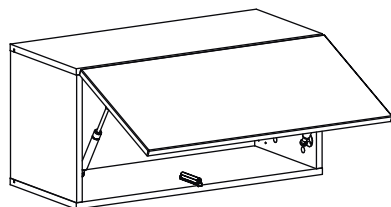
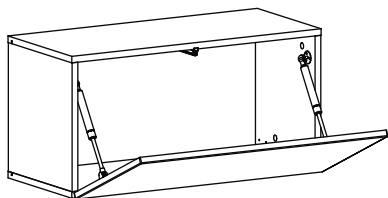
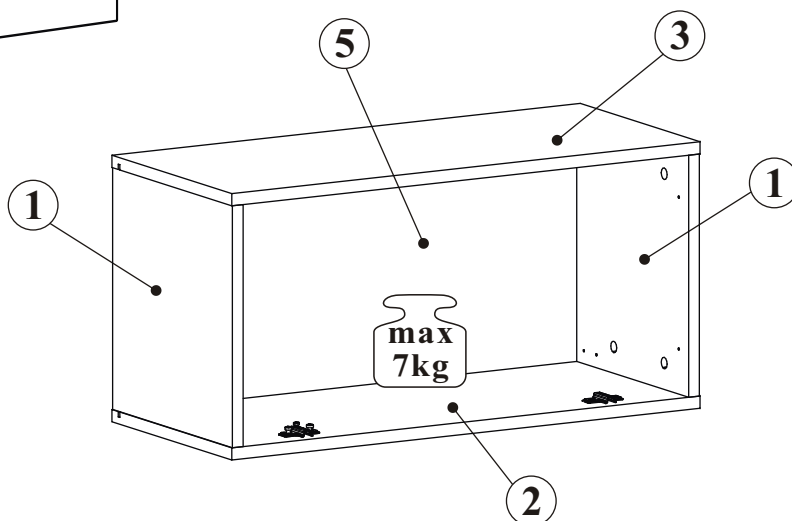
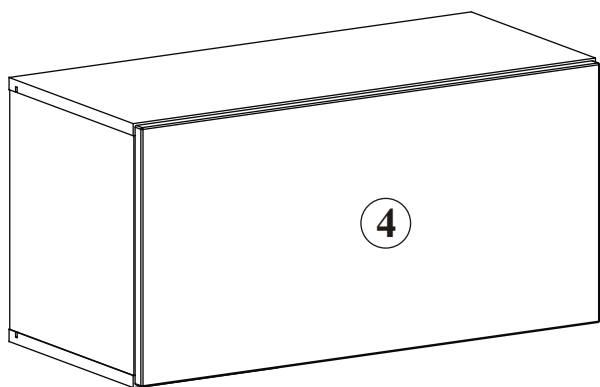
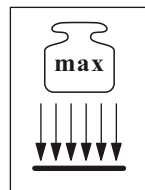


BLOX TYP - 16

5

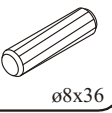
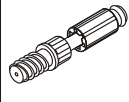


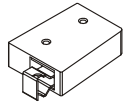

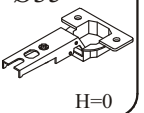
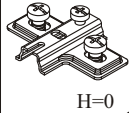

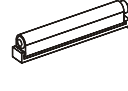

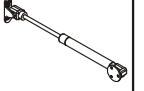
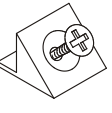
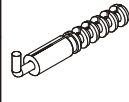



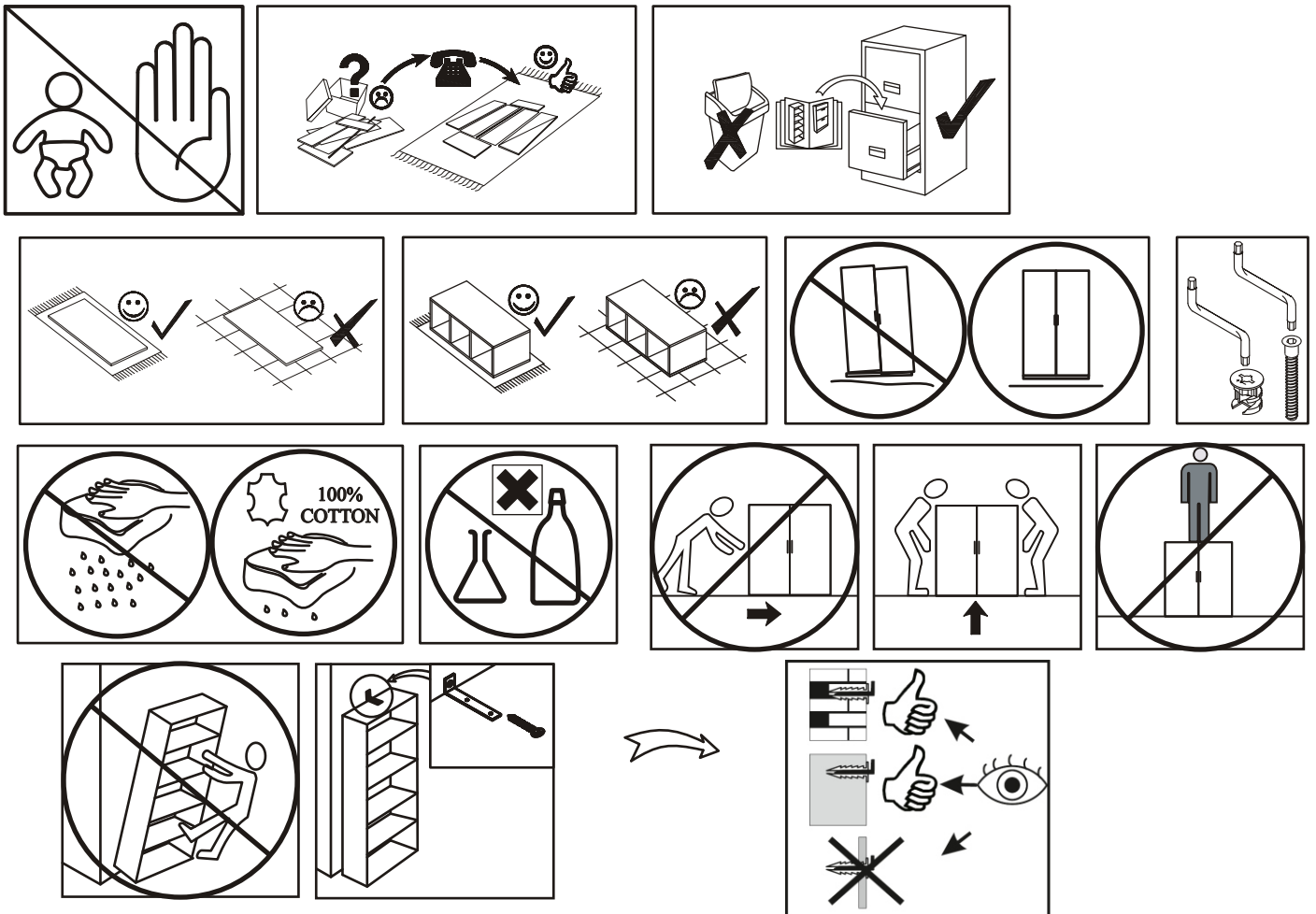
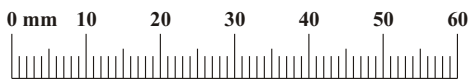
# BLOX TYP 21



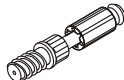
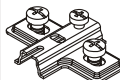
NO	Dim.		Col.-No	Qty
1	317	304	1	2
2	699	304	1	1
3	699	304	1	1
4	693	343	1	1
5	329	677	1	1

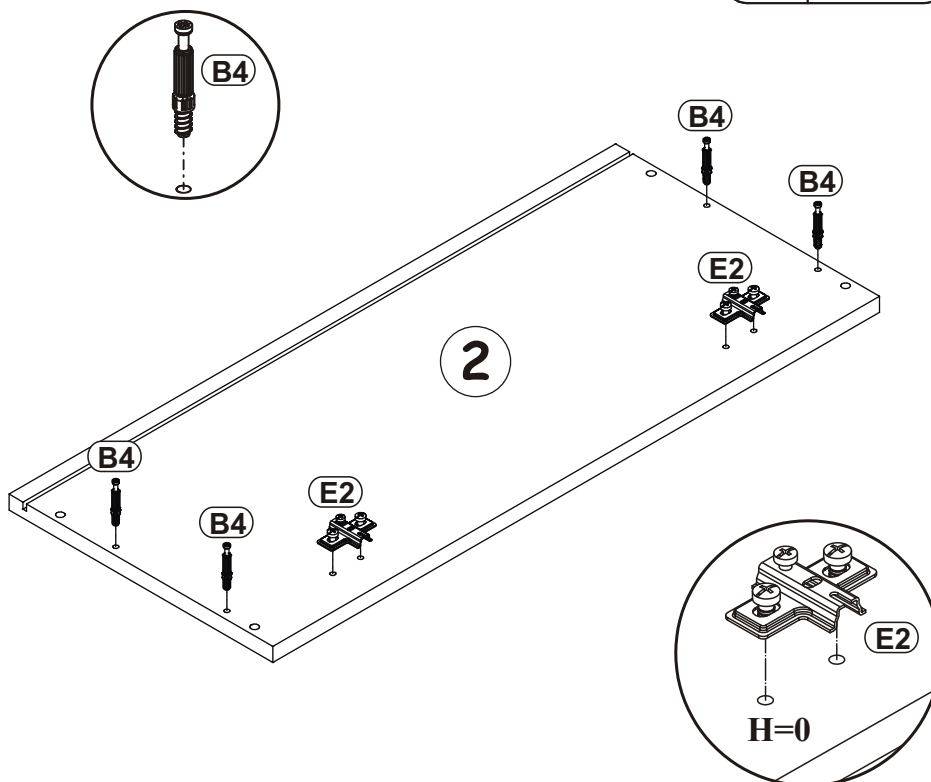
# BLOX TYP 21

A1 x8  ø8x36	B4 x8 	B5 x8  Ø15x12	G5 x8 	ZR1 x2 	D6 x4  USØ3,5x30
E21 x2 Ø35  H=0	E2 x2  H=0	D10 x26  USØ3,5x13	T1 x1 	BO1 x2 	BP1 x2 
S1 x6 	KR2 x2 	G2 x1 			

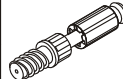


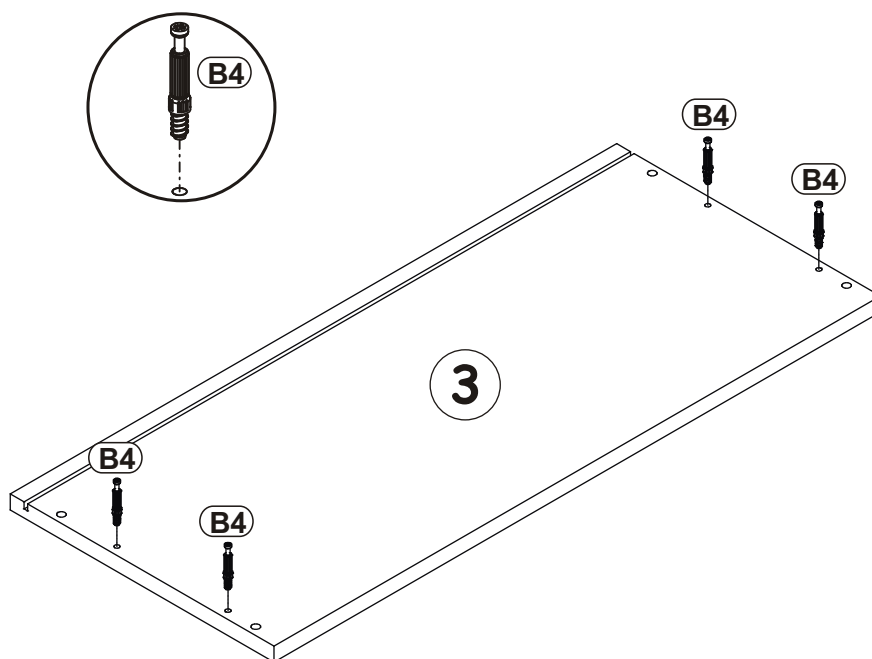
1

B4		E2	
x4		x2	H=0

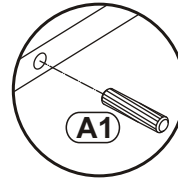
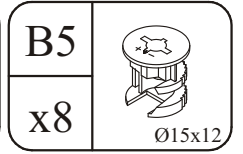
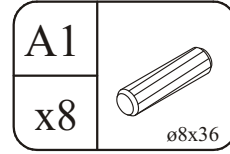
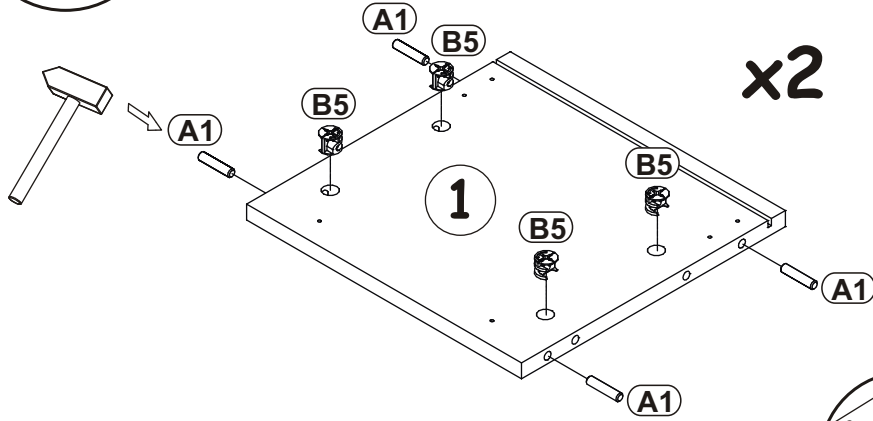
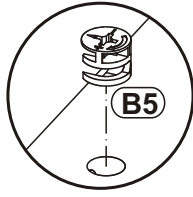


2

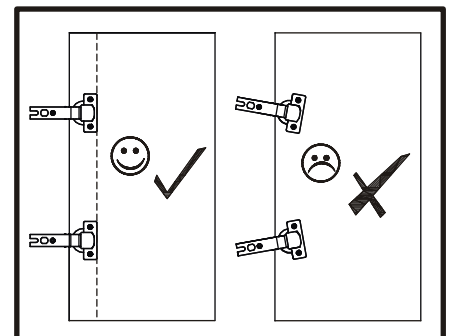
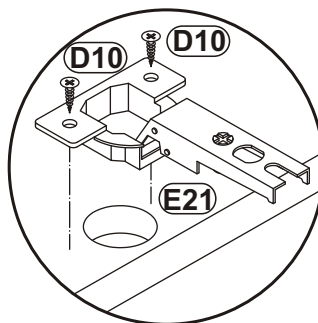
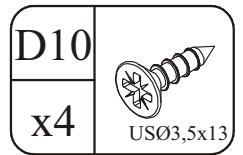
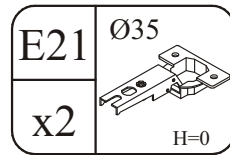
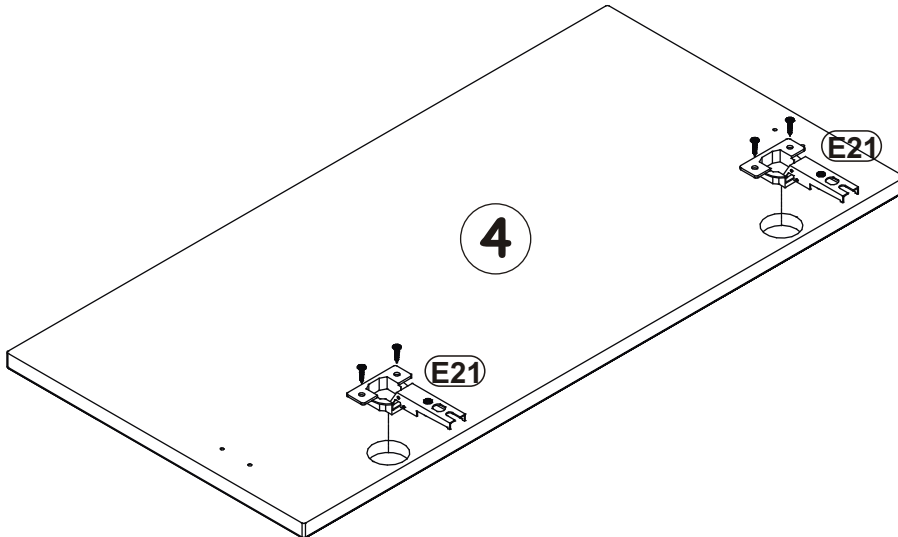
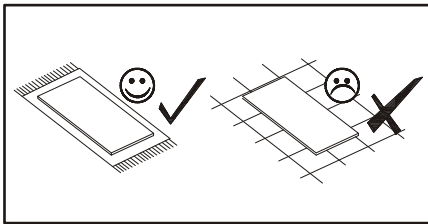
B4	
x4	



3

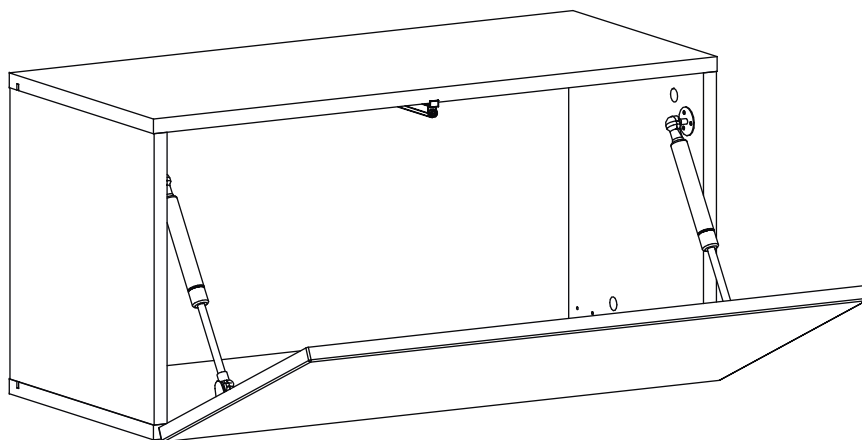


4

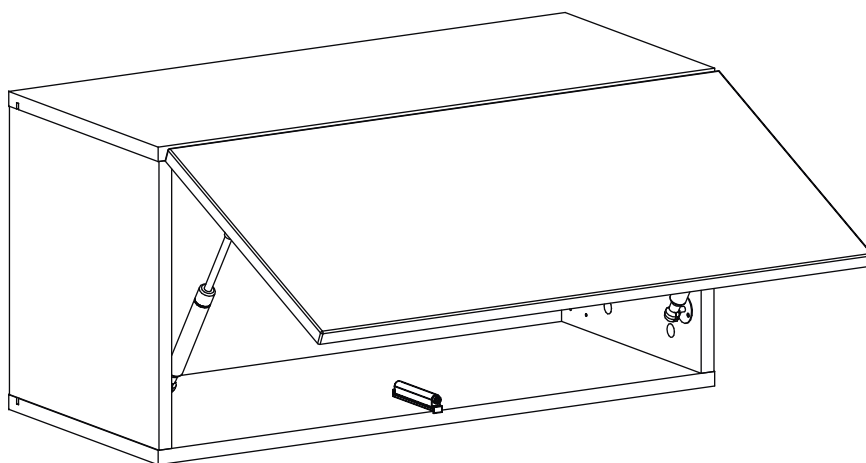




**5 - 12**

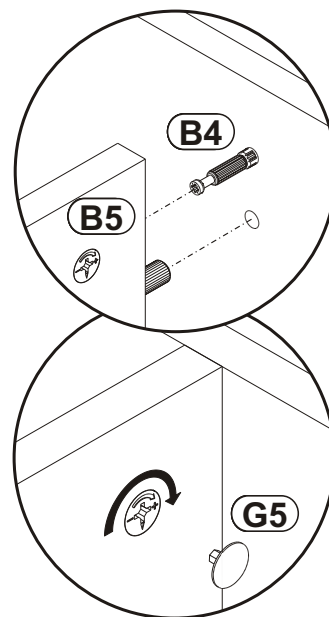
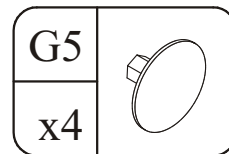
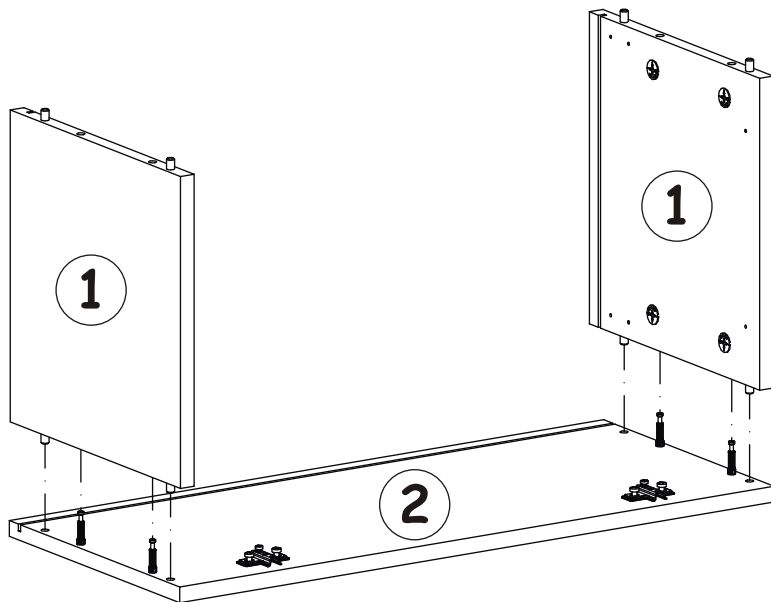
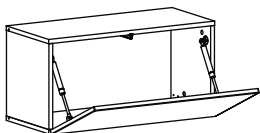


**13 - 20**

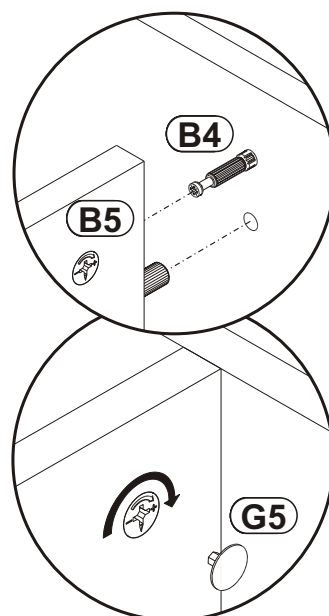
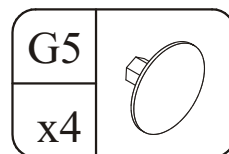
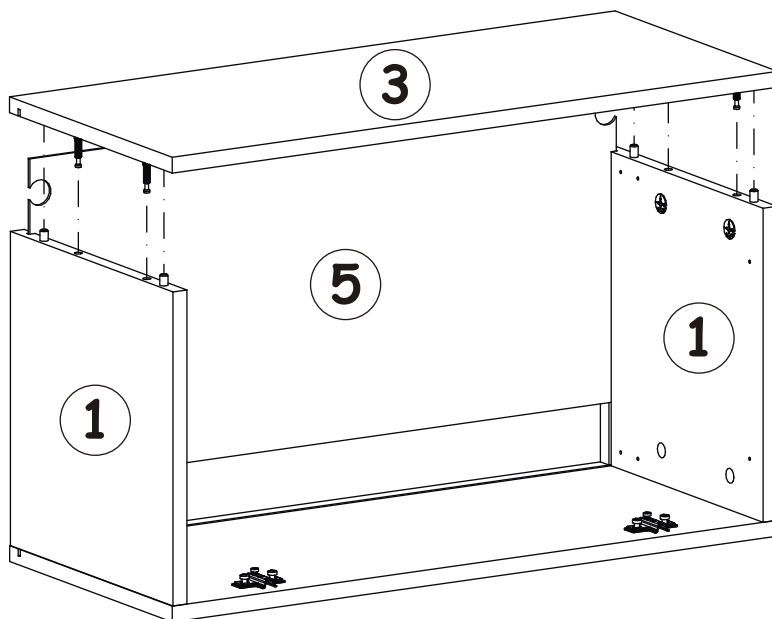


BLOX TYP 21

5



6



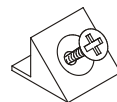
BLOX TYP 21



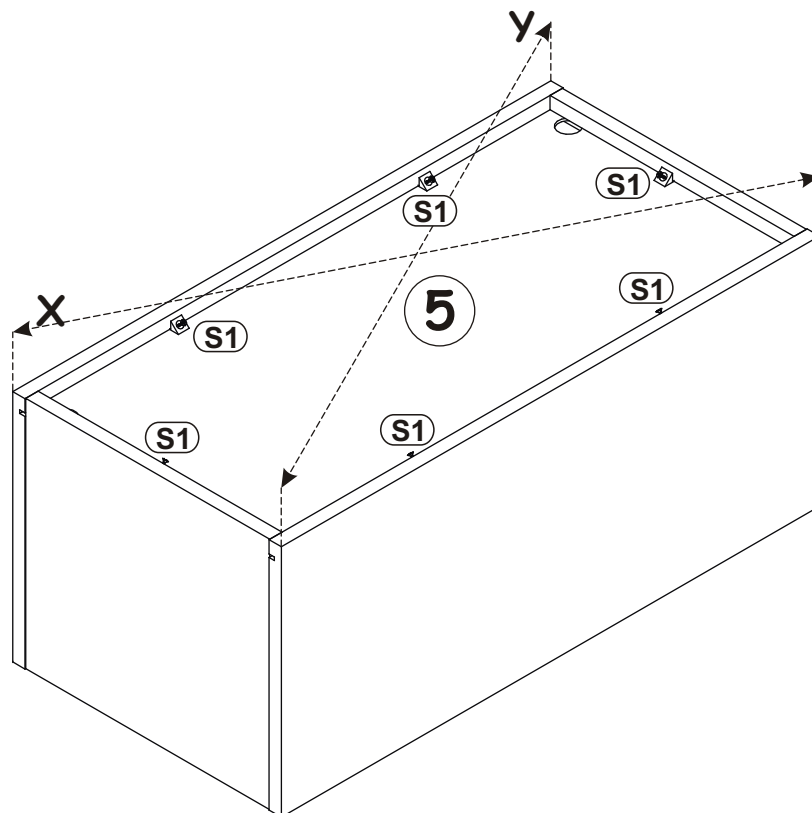
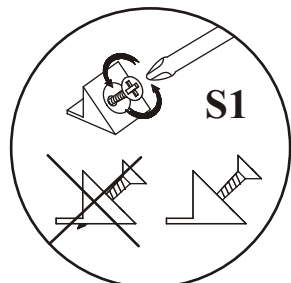
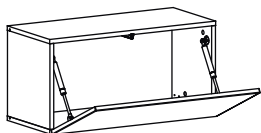
$X=Y$   $90^\circ$

S1

x6



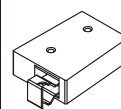
7



8

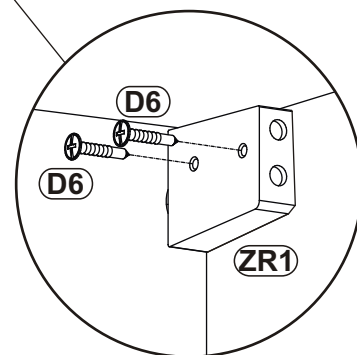
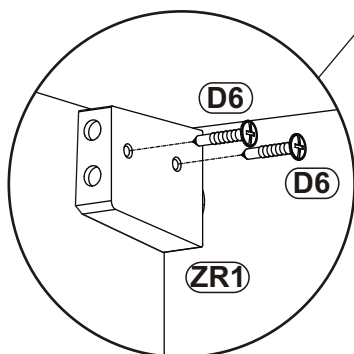
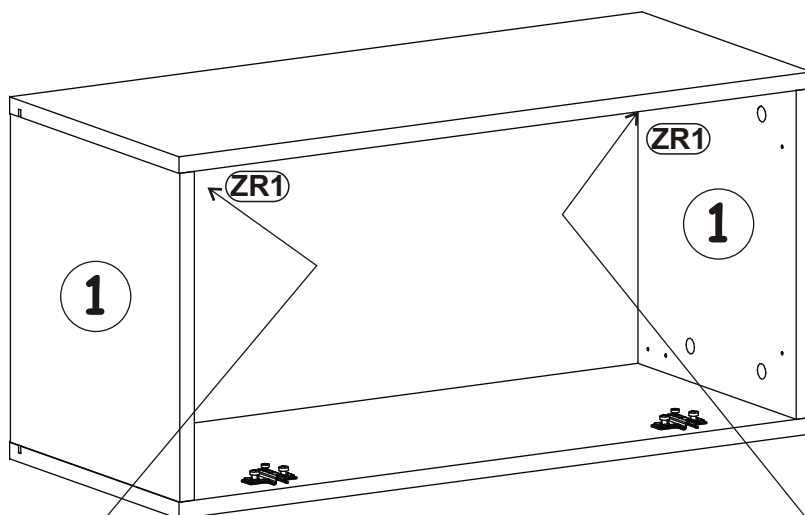
ZR1

x2



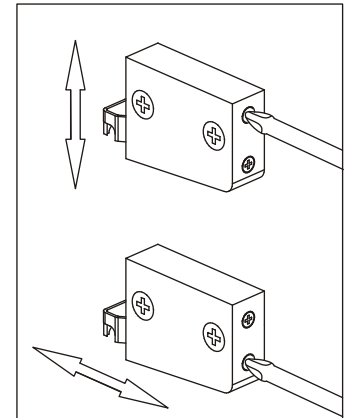
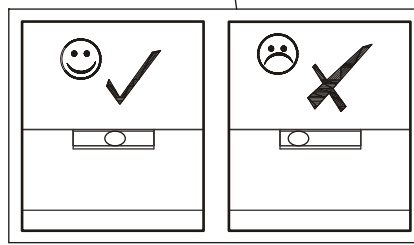
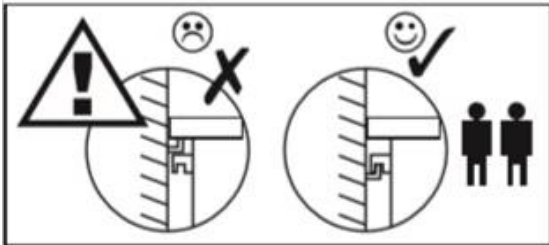
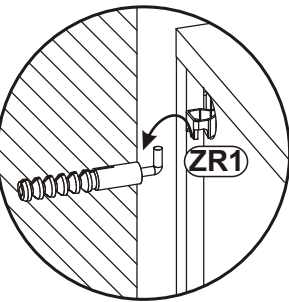
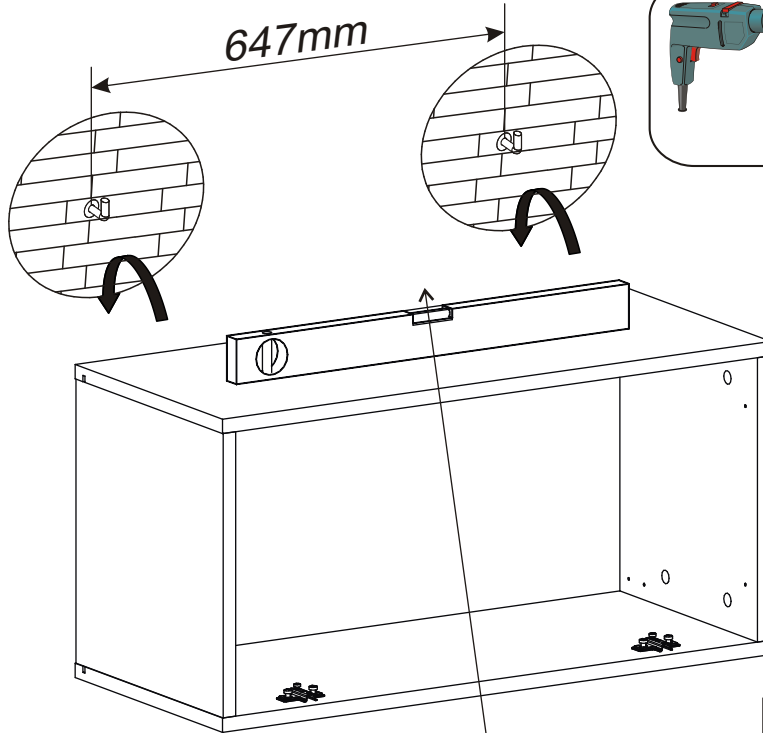
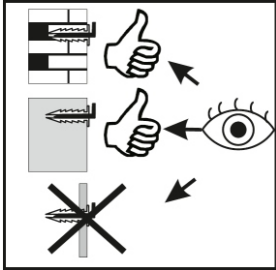
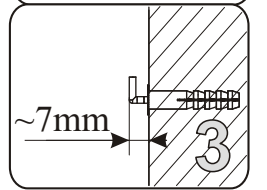
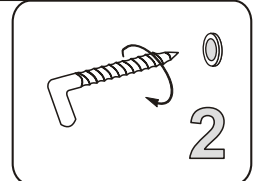
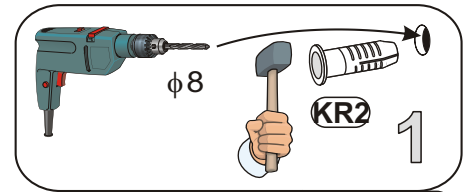
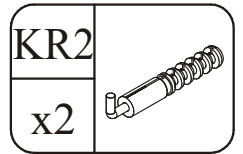
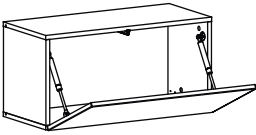
D6

x4

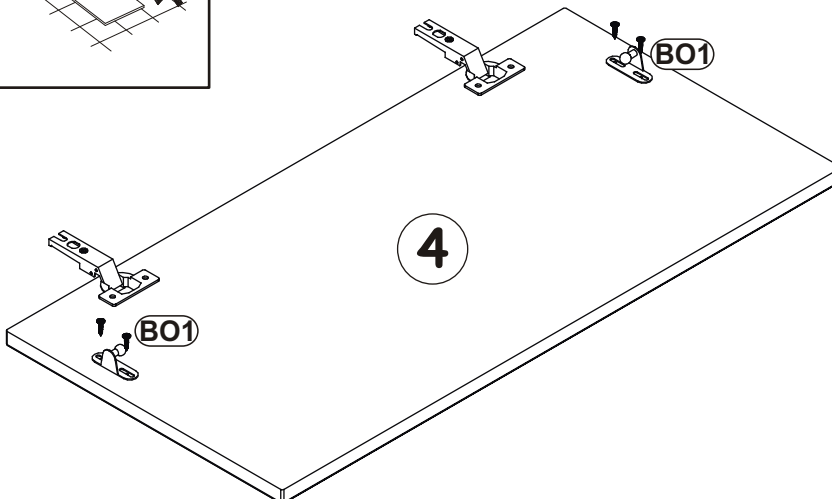
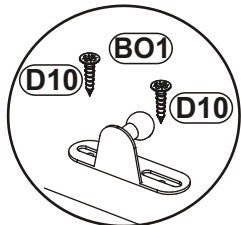
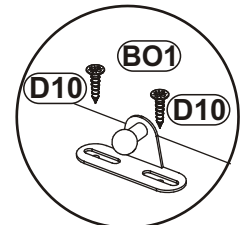
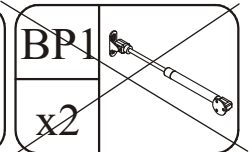
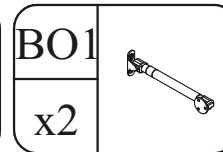
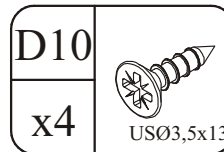
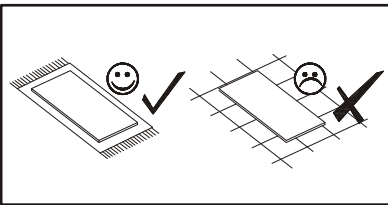


BLOX TYP 21

9

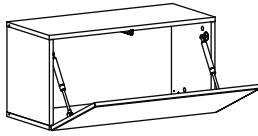


10



BLOX TYP 21

11

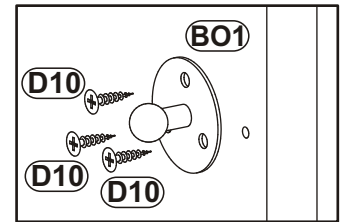
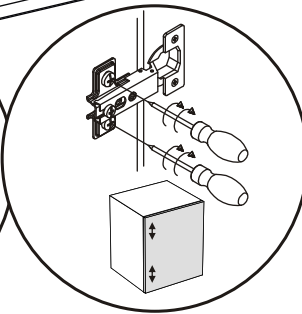
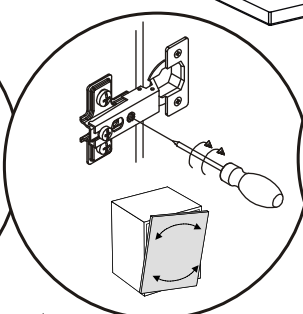
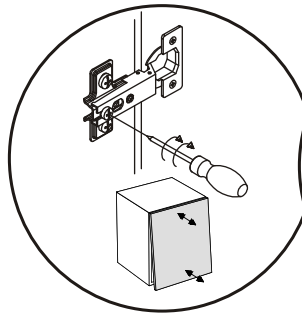
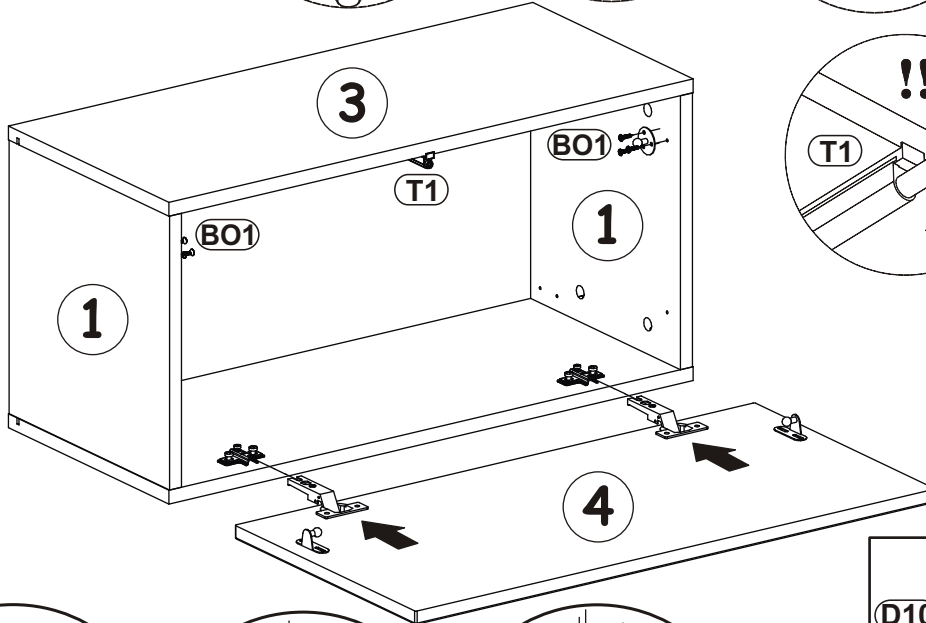
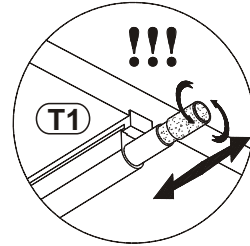
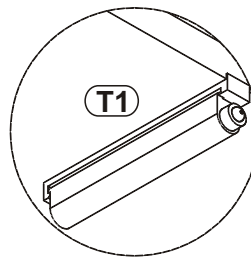
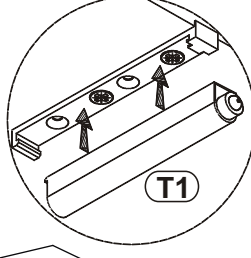
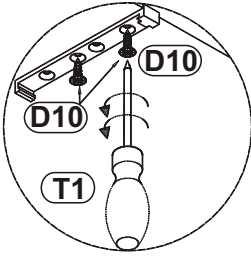


D10	
x8	USØ3,5x13

T1	
x1	

BO1	
x2	

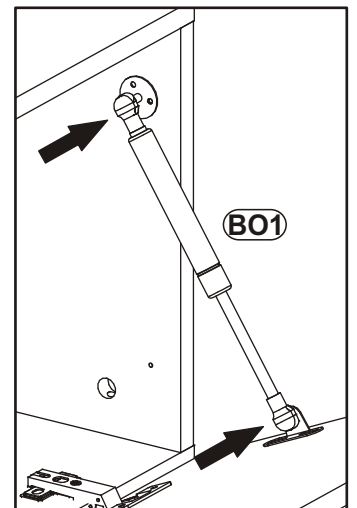
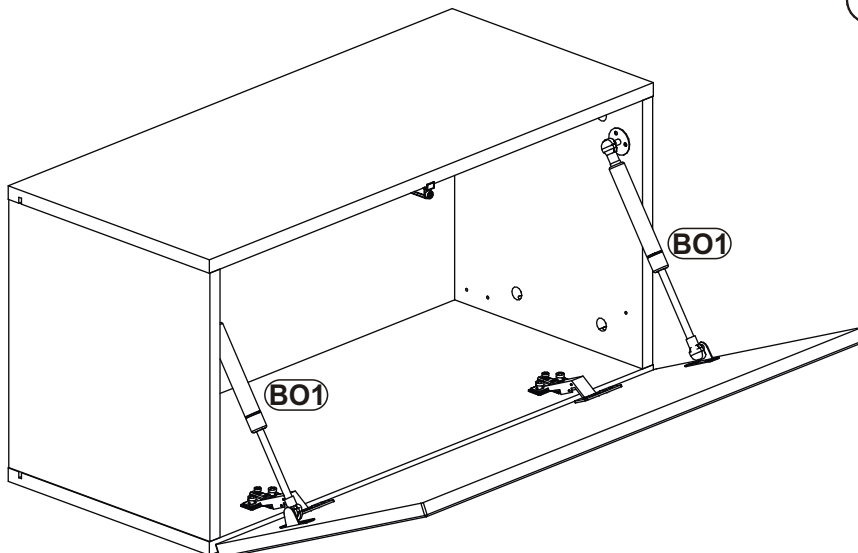
<del>BP1</del>	<del></del>
<del>x2</del>	



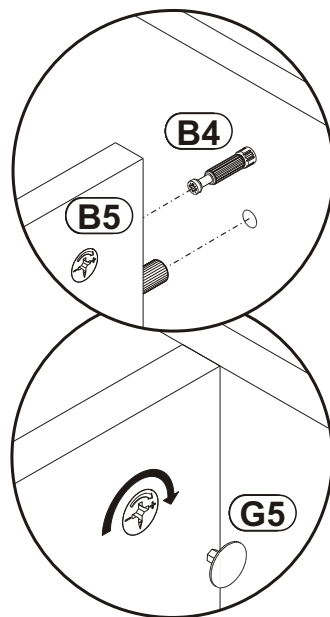
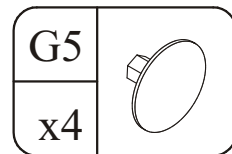
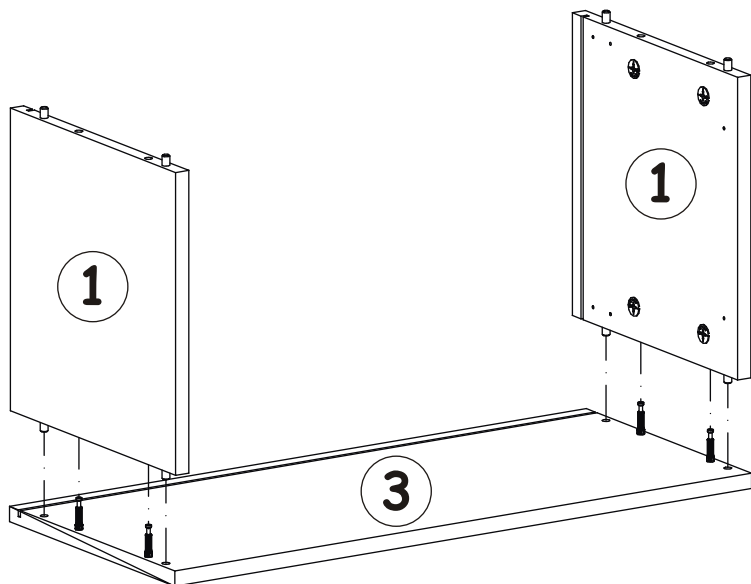
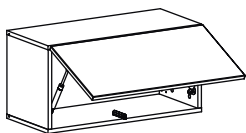
12

BO1	
x2	

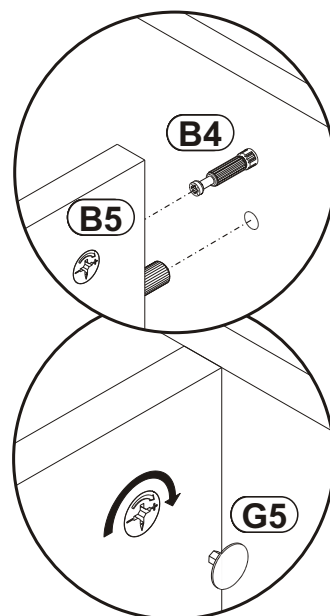
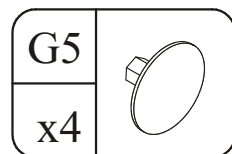
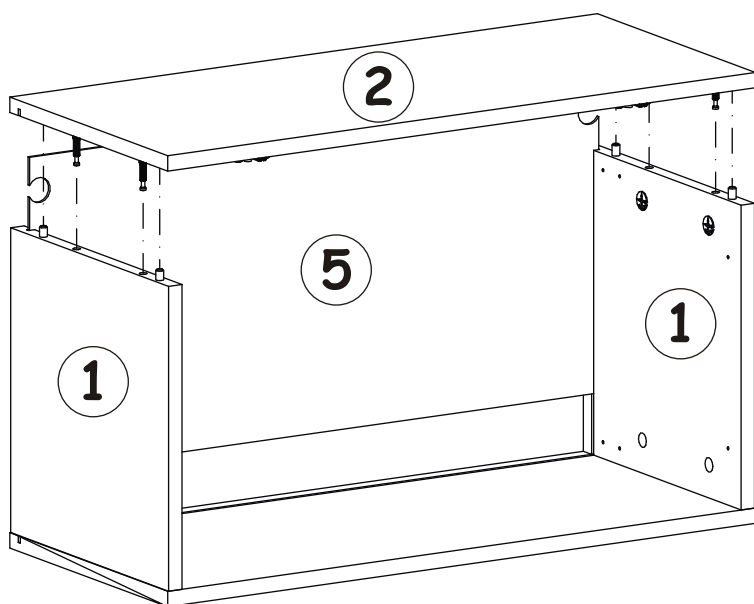
<del>BP1</del>	<del></del>
<del>x2</del>	



13



14

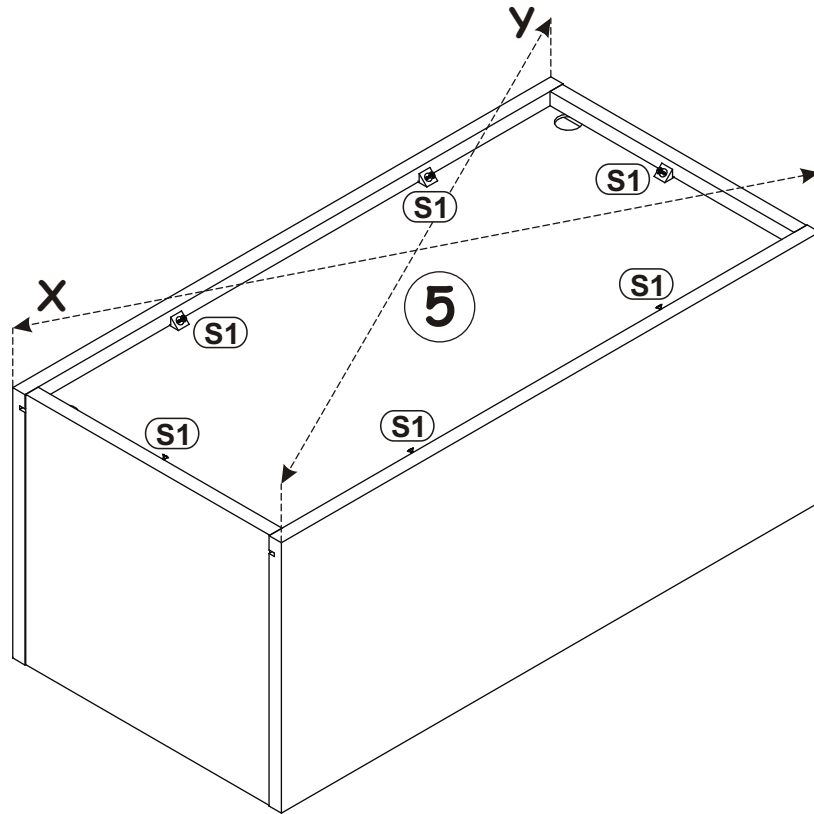
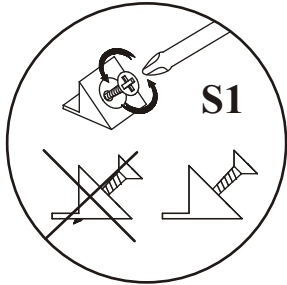
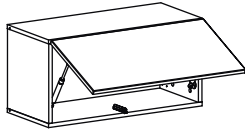


BLOX TYP 21



S1	
x6	

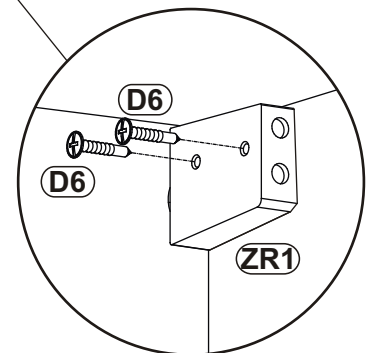
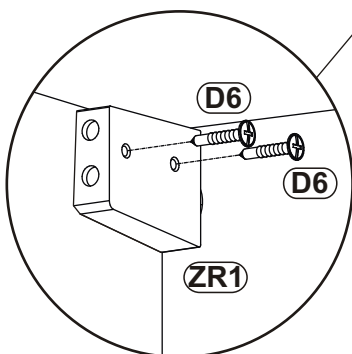
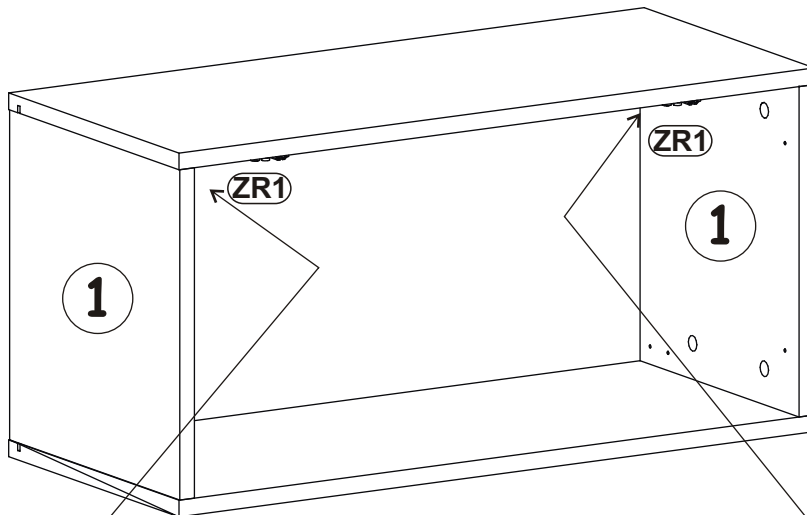
15



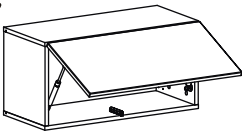
16

ZR1	
x2	

D6	
x4	USØ3,5x30

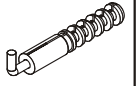


17

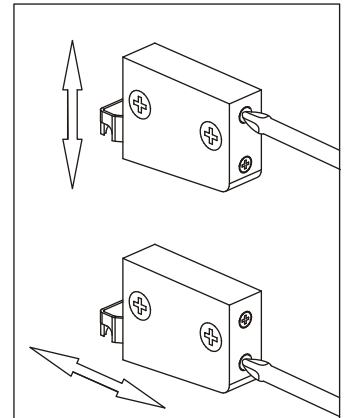
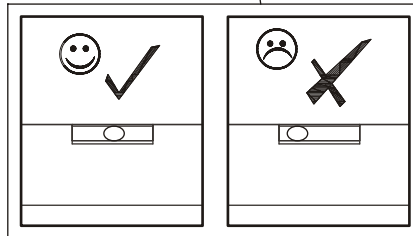
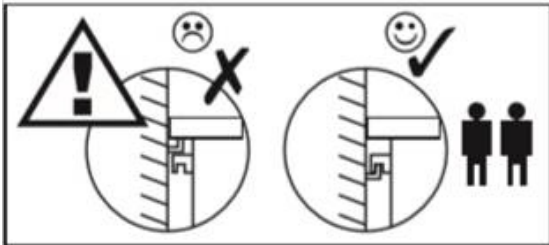
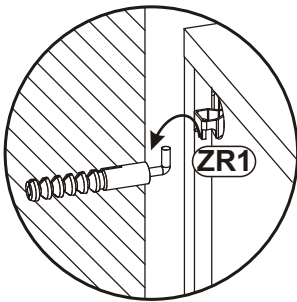
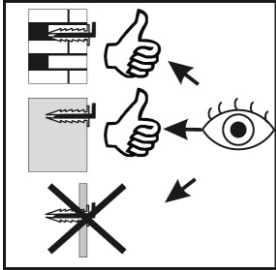
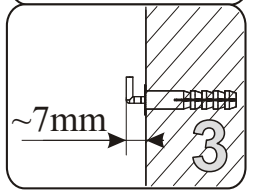
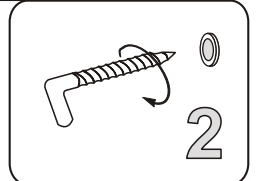
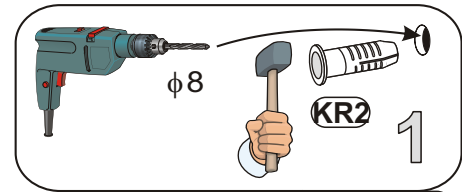
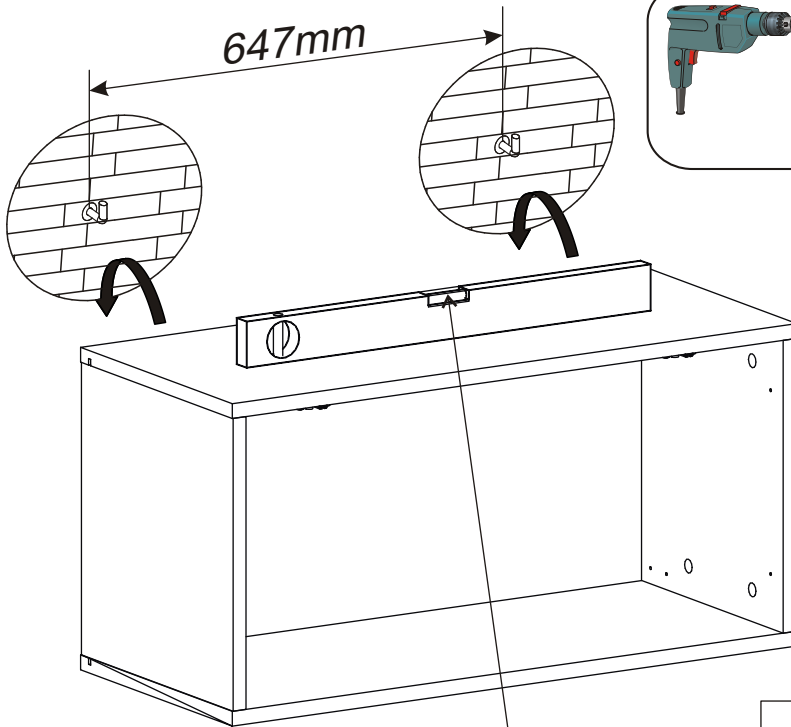


KR2

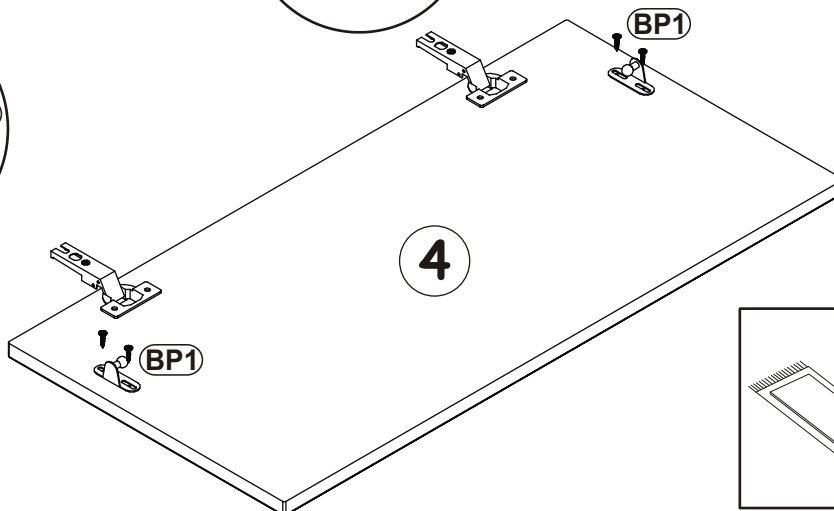
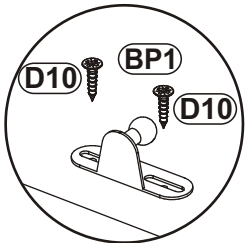
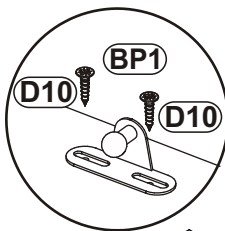
x2



647mm



18



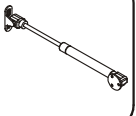
D10

x4



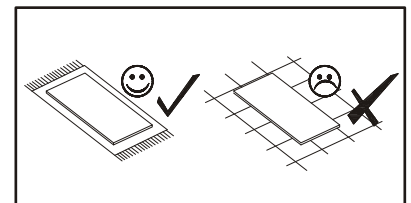
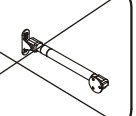
BP1

x2



~~BO1~~

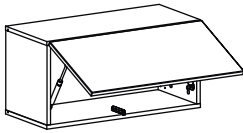
~~x2~~

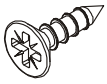





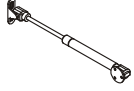
BLOX TYP 21

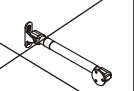
19

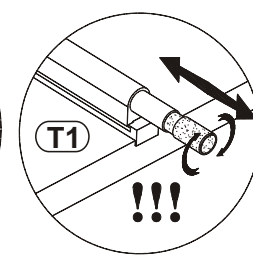
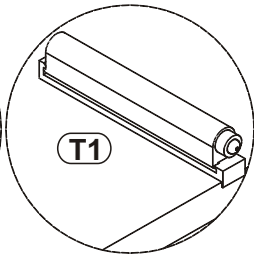
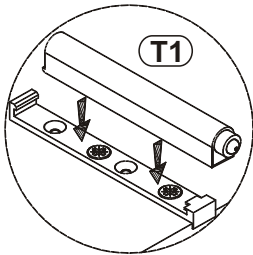
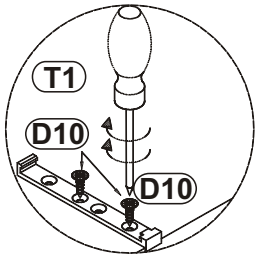
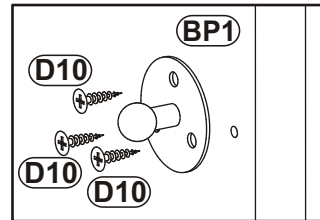
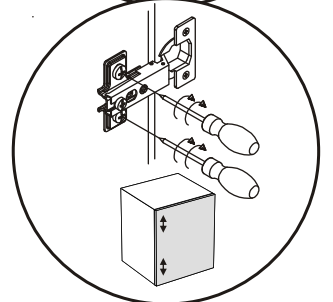
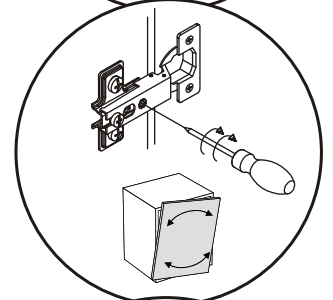
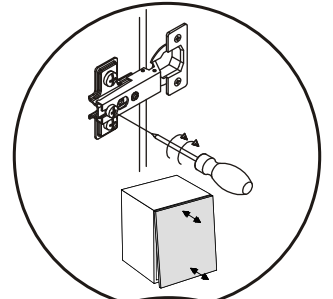
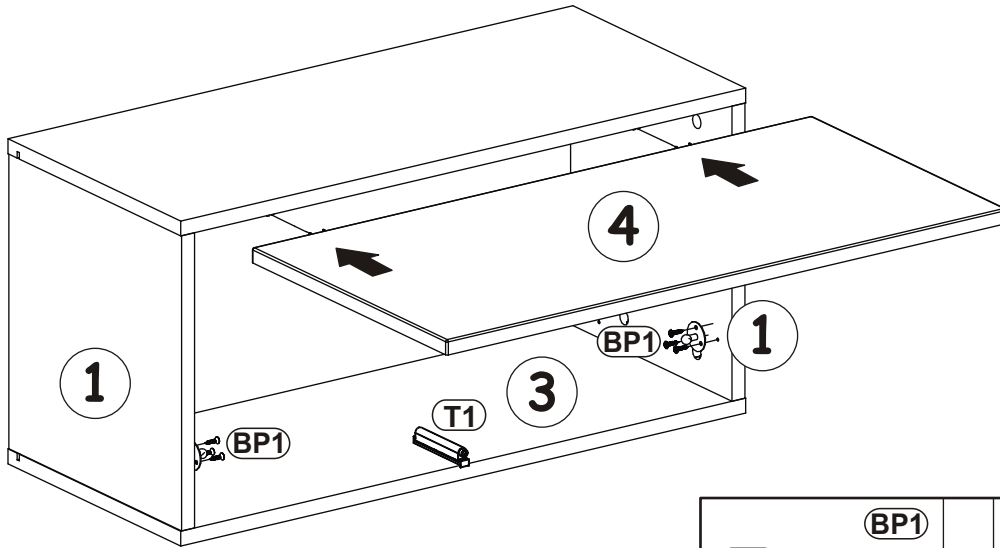


D10	
x8	USØ3,5x13


T1	
x1	

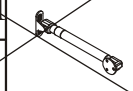
BP1	
x2	

<del>BO1</del>	<del></del>
<del>x2</del>	



20

BP1	
x2	

<del>BO1</del>	<del></del>
<del>x2</del>	

