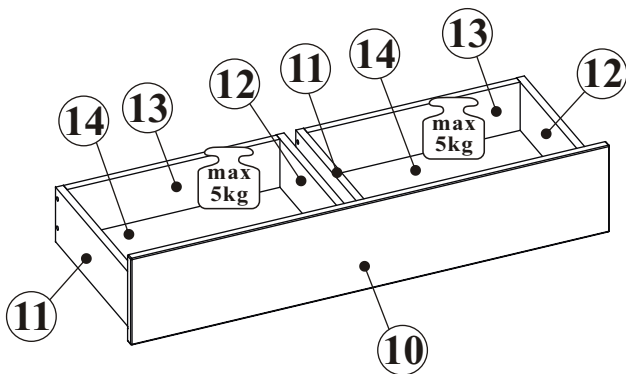
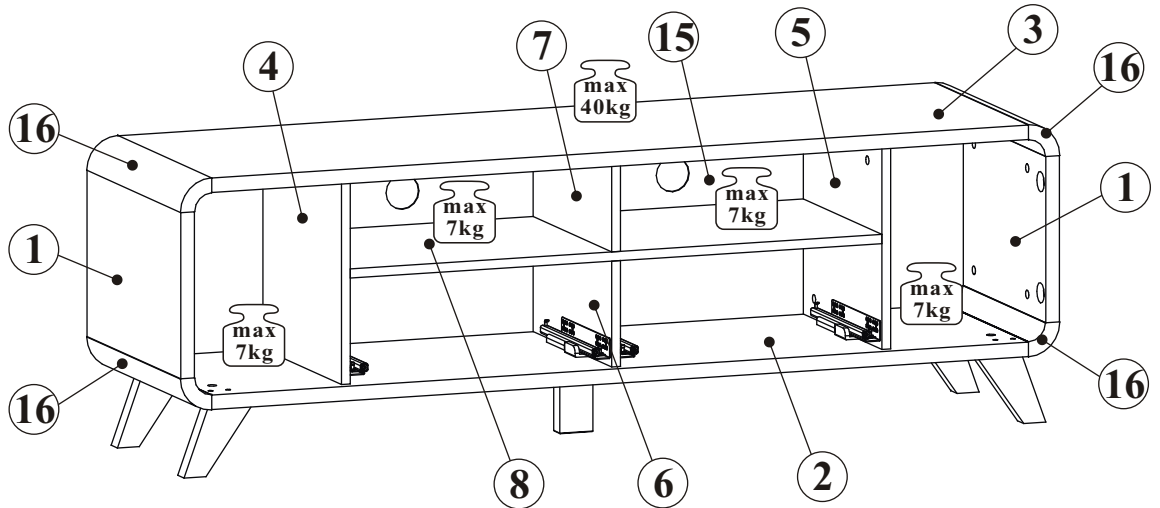
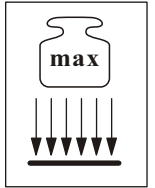
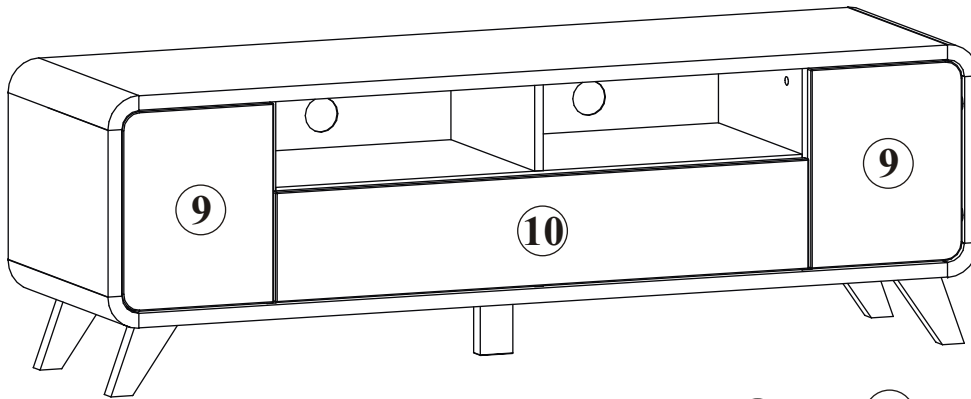
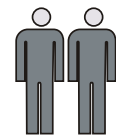
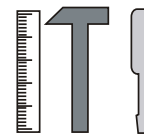


# ROUND 20\_RD RTV



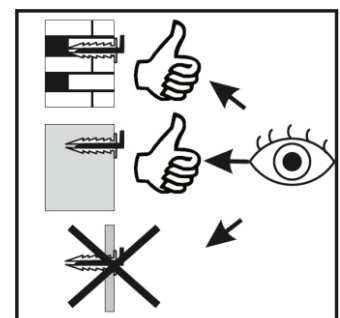
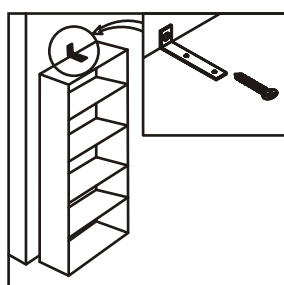
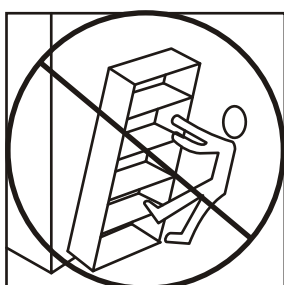
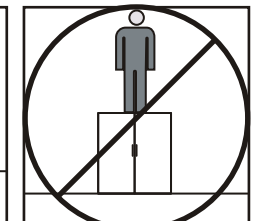
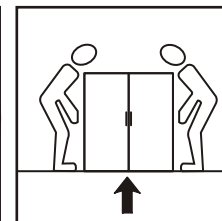
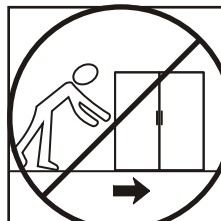
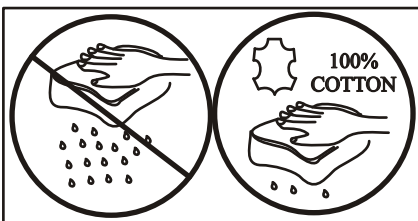
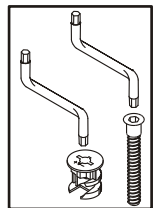
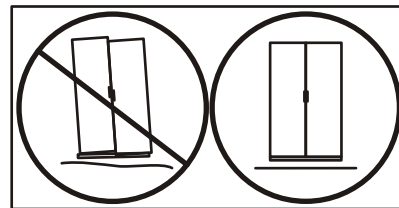
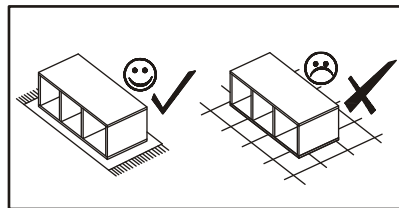
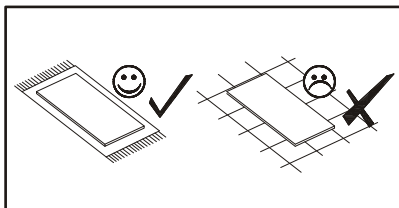
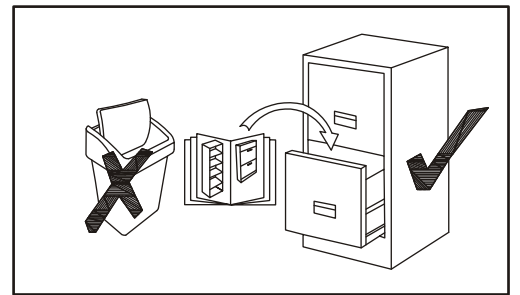
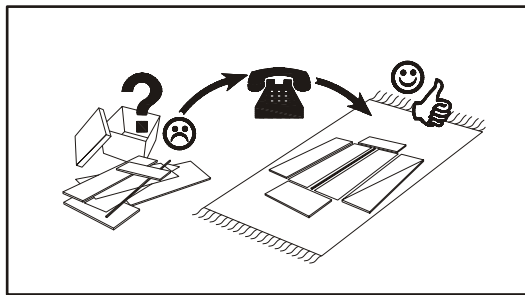
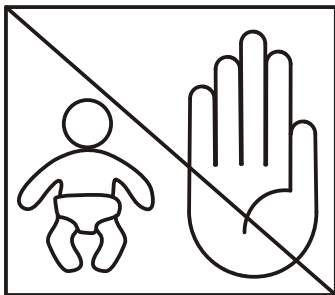
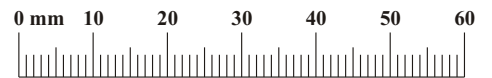
NO	Dim.		Col.-No	Qty
1	287	450	25 2 / 2.	2
2	1487	450	25 1 / 2.	1
3	1487	450	25 1 / 2.	1
4	350	377	16 2 / 2.	1
5	350	377	16 2 / 2.	1
6	183	377	16 2 / 2.	1
7	151	377	16 2 / 2.	1
8	968	377	16 2 / 2.	1
9	278	344	16 2 / 2.	2
10	980	190	16 2 / 2.	1
11	350	120	16 2 / 2.	2
12	350	120	16 2 / 2.	2
13	436	106	16 2 / 2.	2
14	448	354	3 2 / 2.	2
15	1562	362	3 1 / 2.	1
16	450	80	35 2 / 2.	4



120 min

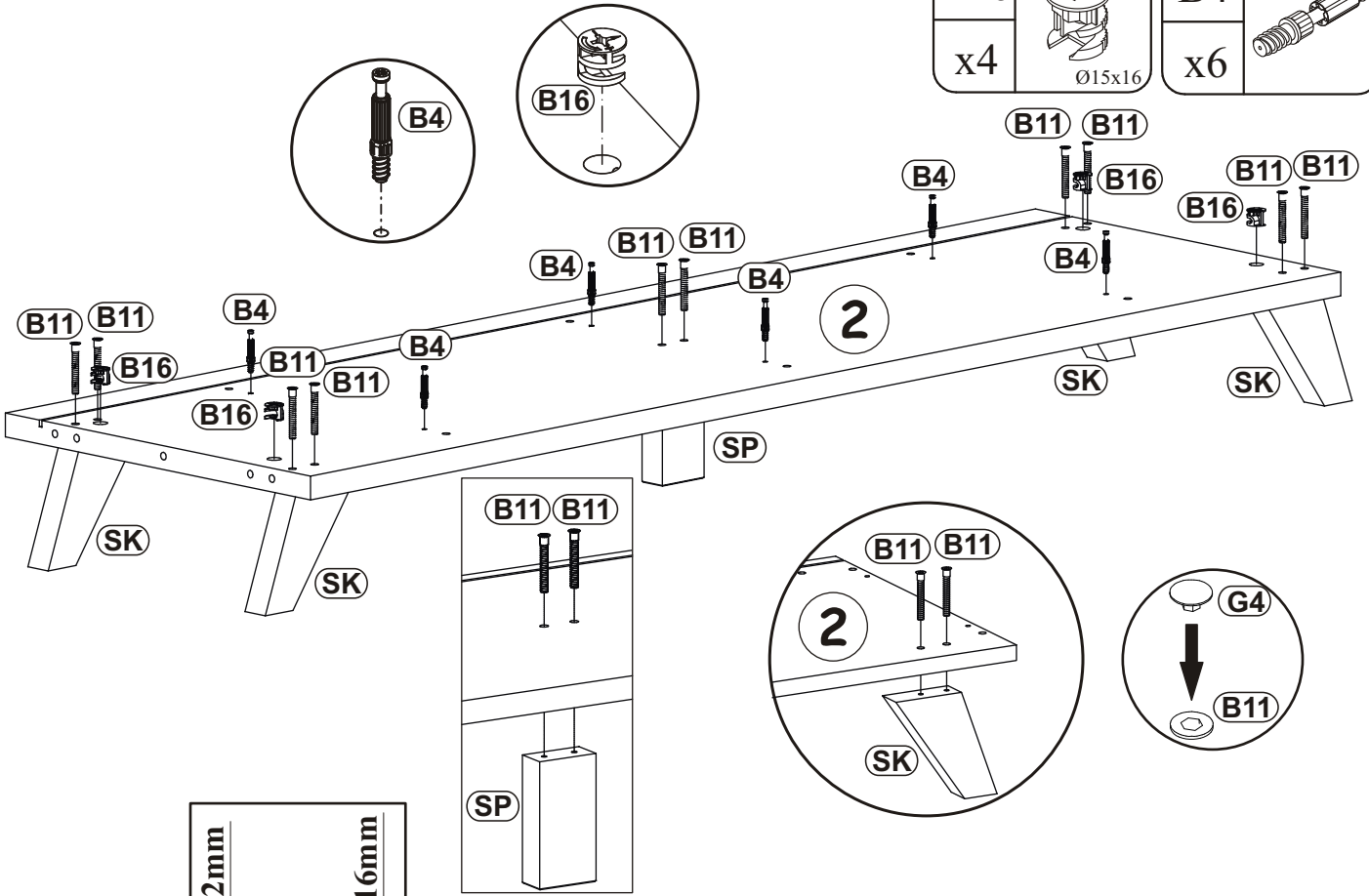
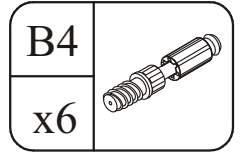
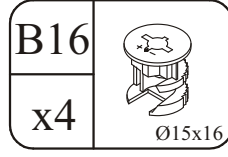
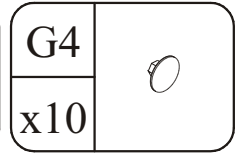
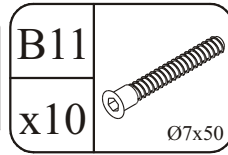
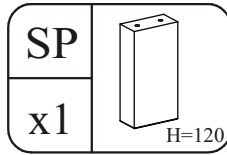
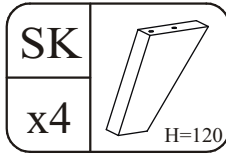
ROUND 20\_RD RTV

A1 x52 ø8x36	B4 x36	B5 x24 ø15x12	B16 x16 ø15x16	G5 x40	G4 x18
E21 x4 Ø35 H=0	E2 x4 H=0	D10 x24 USØ3,5x13	OD1 x2	B6 x2 Ø7x76	B11 x18 Ø7x50
QU x2 L-350	D27 x8 ESØ6x8	SK x4 H=120	SP x1 H=120	S1 x14	UP13 x23 UPØ3x16
KR1 x2	L1 x2	G2 x1			

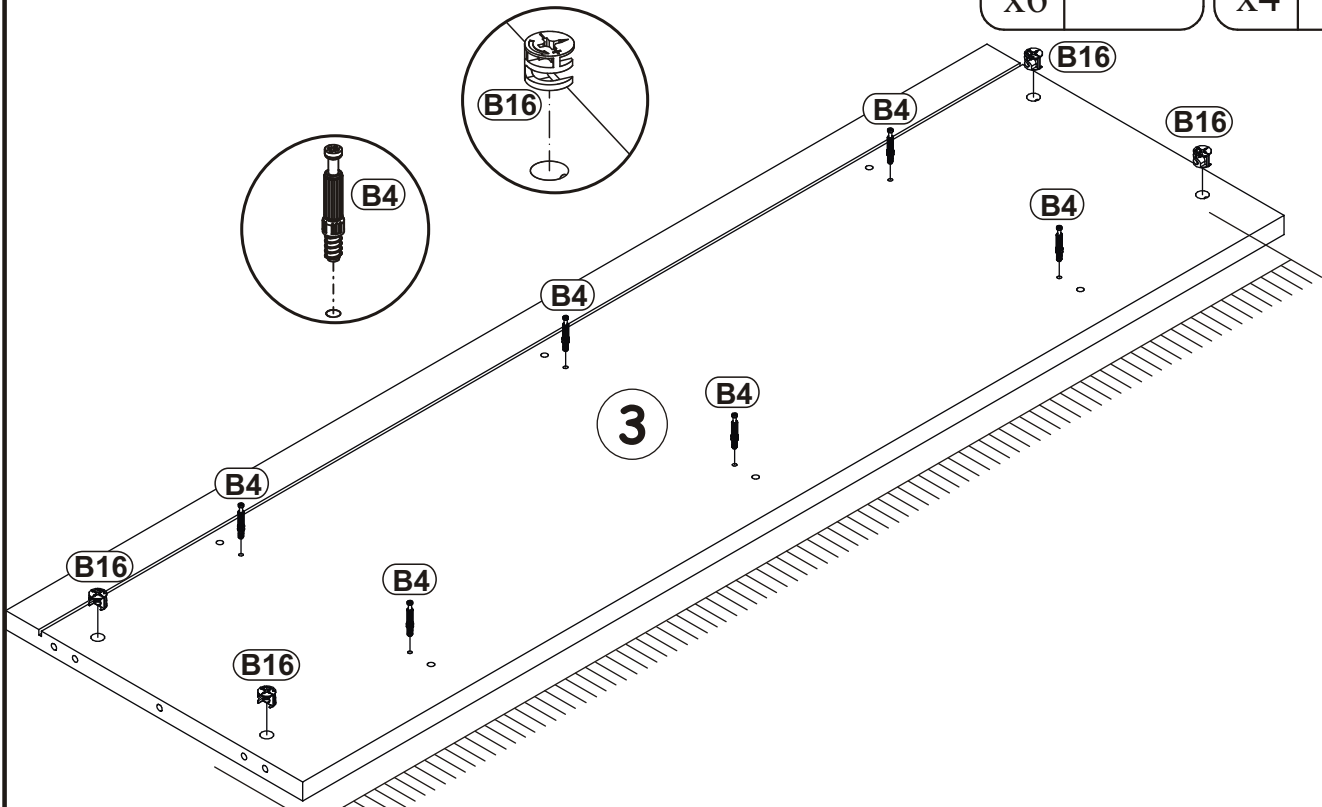
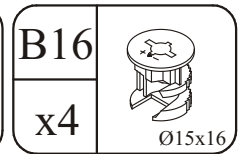
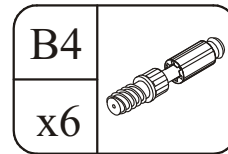
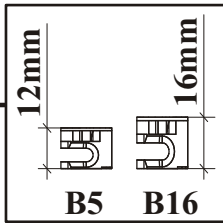


ROUND 20\_RD RTV

1


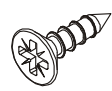


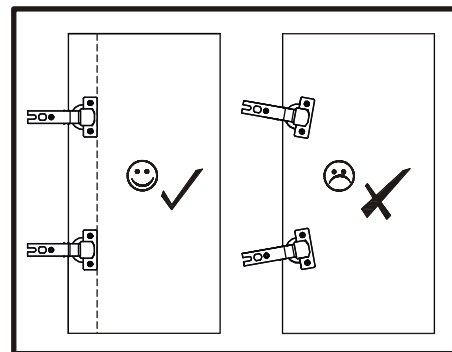
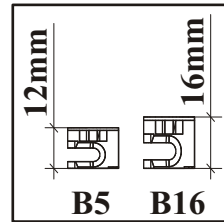
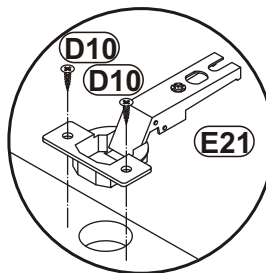
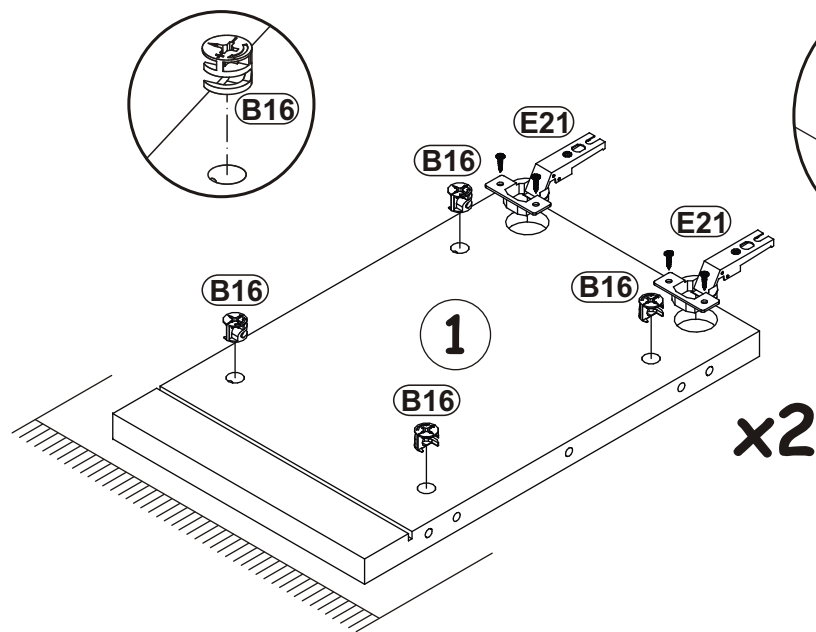
2



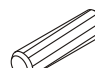

ROUND 20\_RD RTV

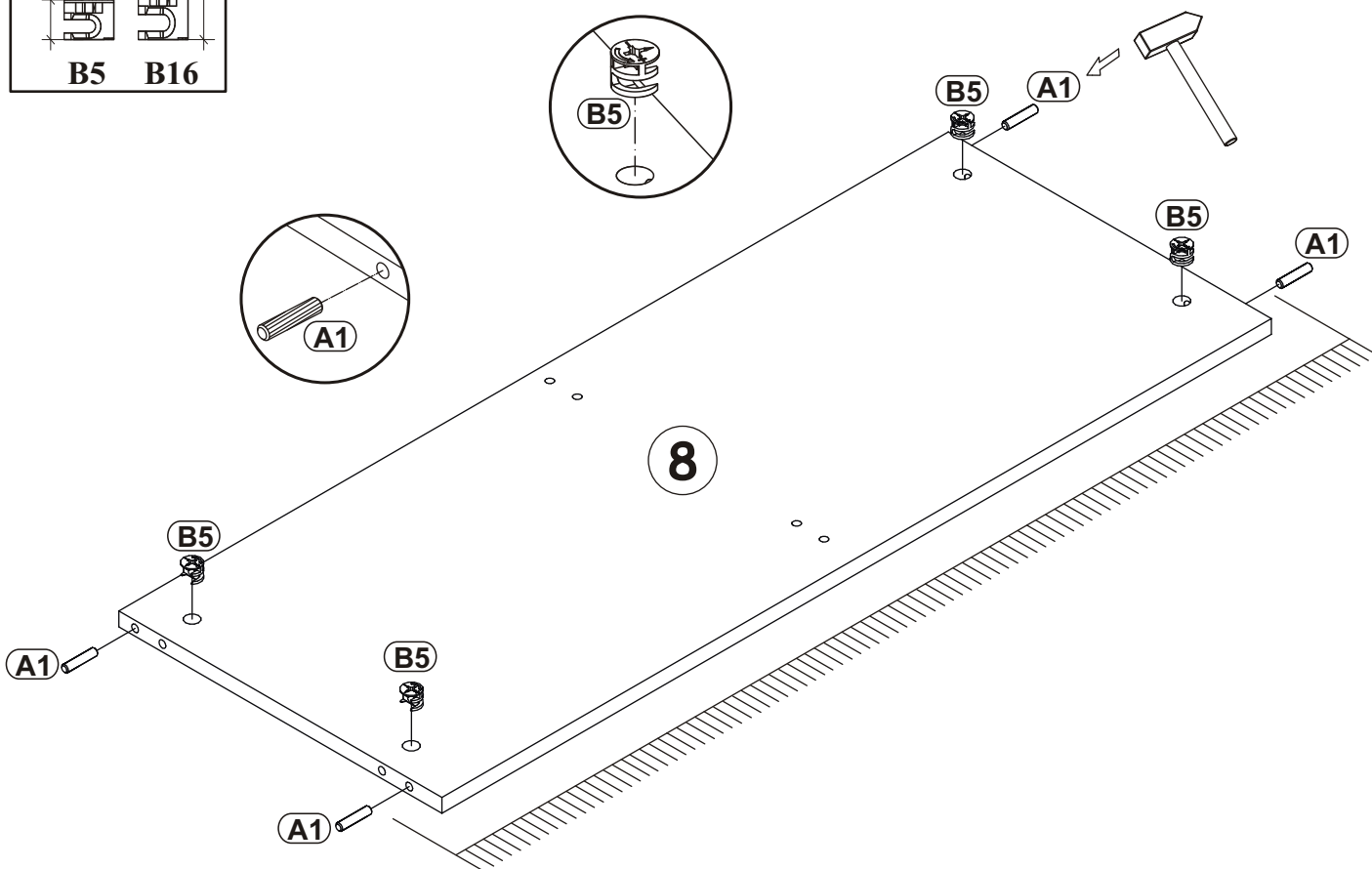
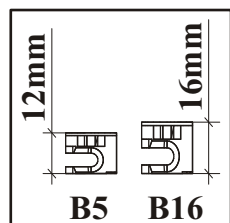
3

B16		E21	Ø35	D10	
x8	Ø15x16	x4	H=0	x8	USØ3,5x13

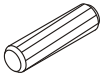

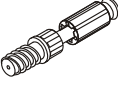


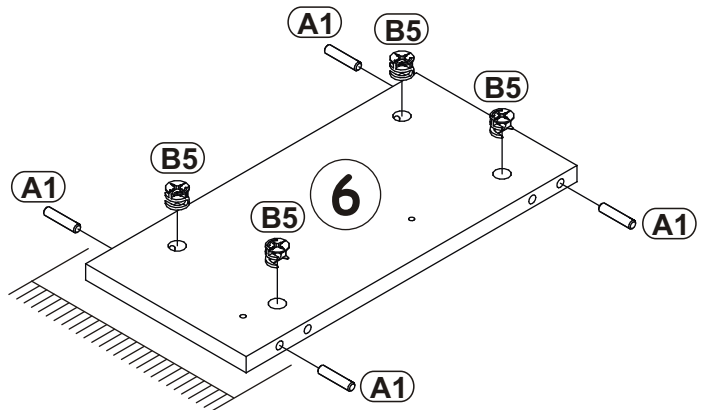
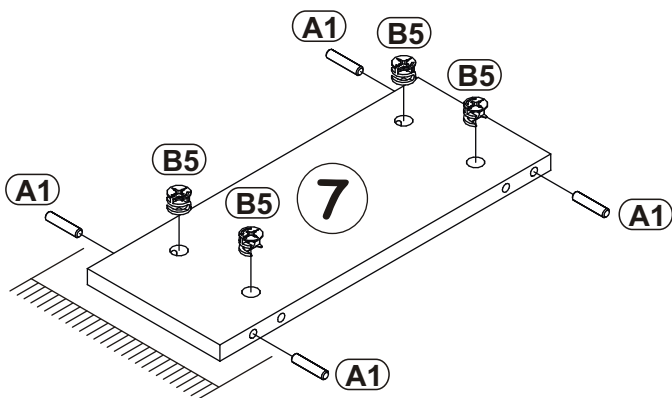
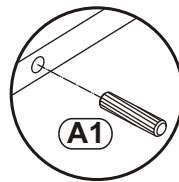
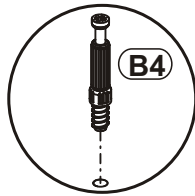
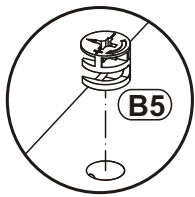
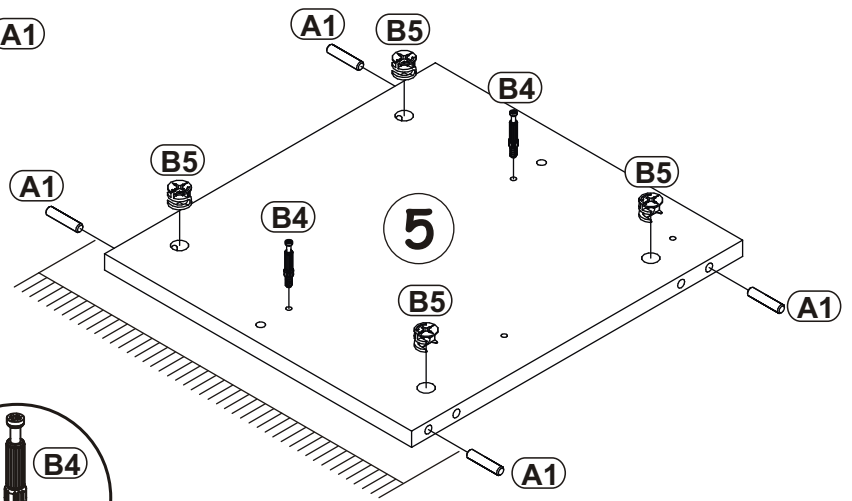
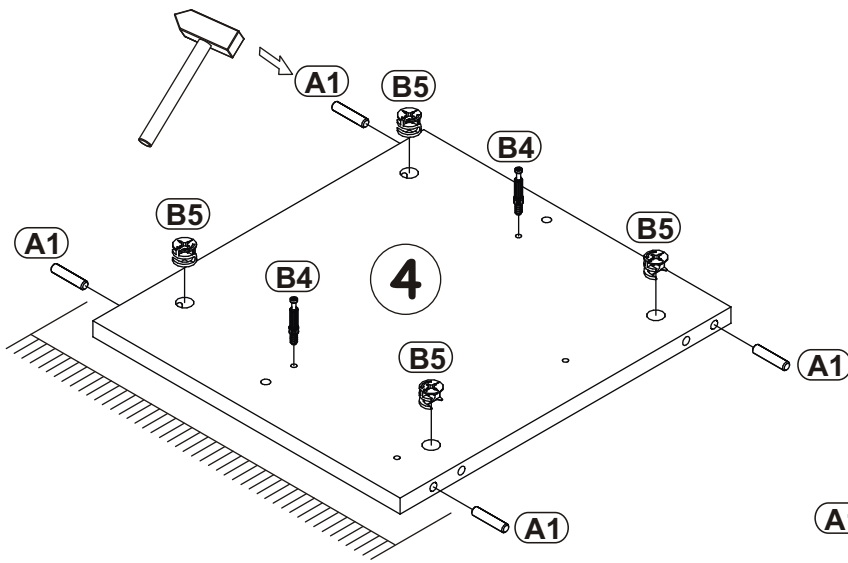
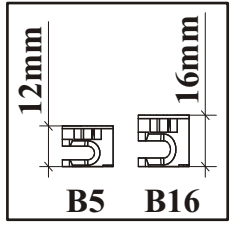
4

A1		B5	
x4	ø8x36	x4	ø15x12

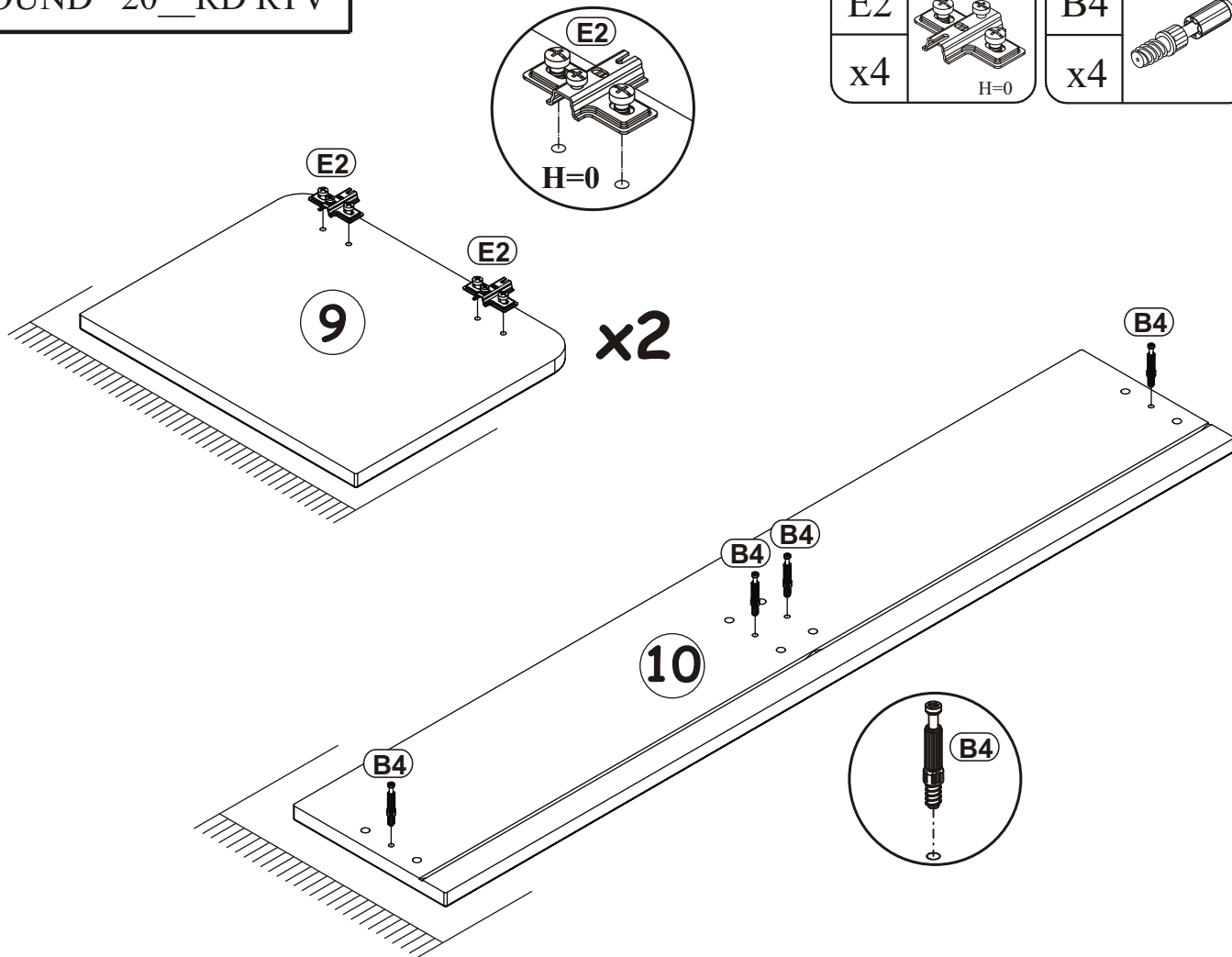


5

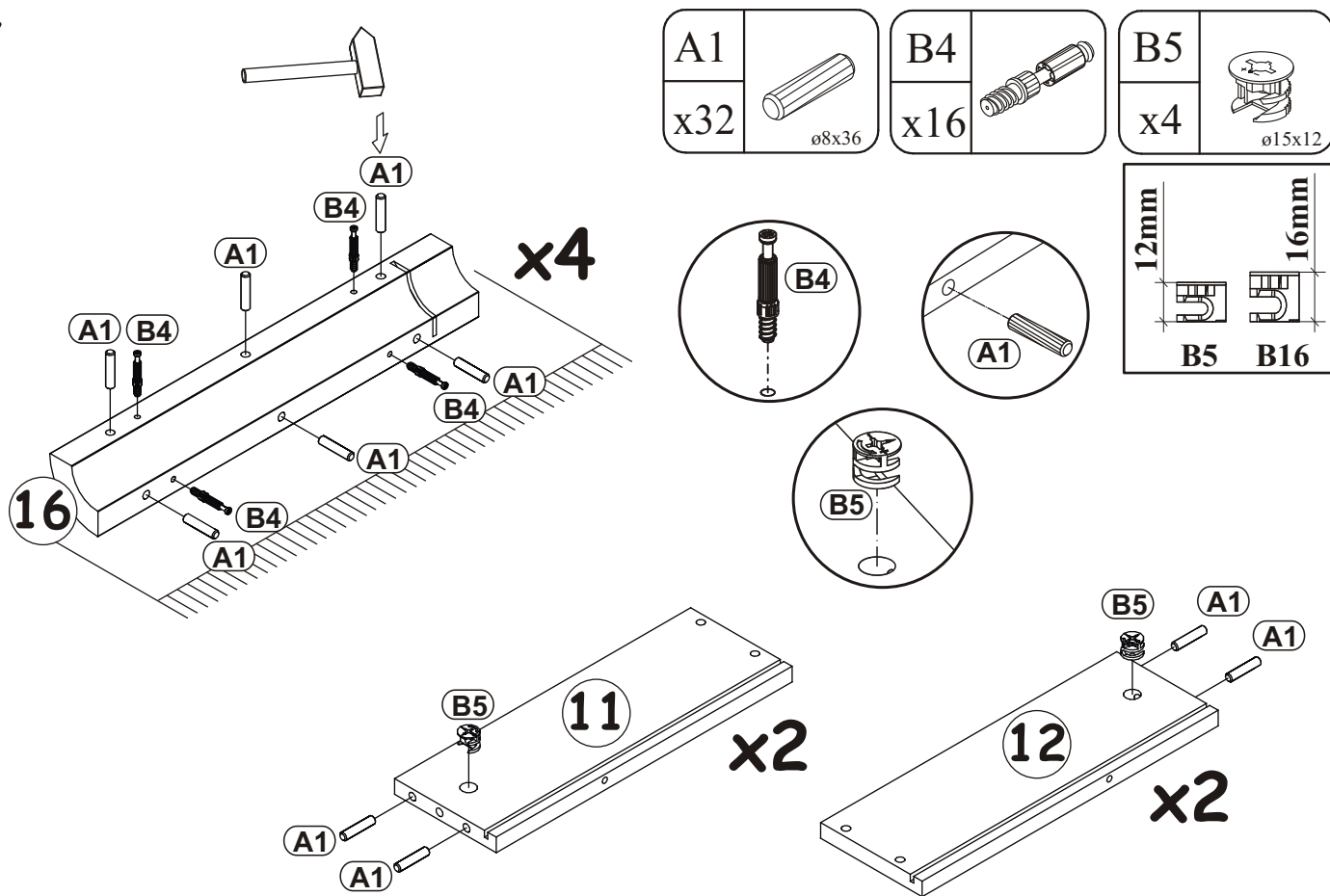
A1		B5		B4	
x16	ø8x36	x16	ø15x12	x4	





6

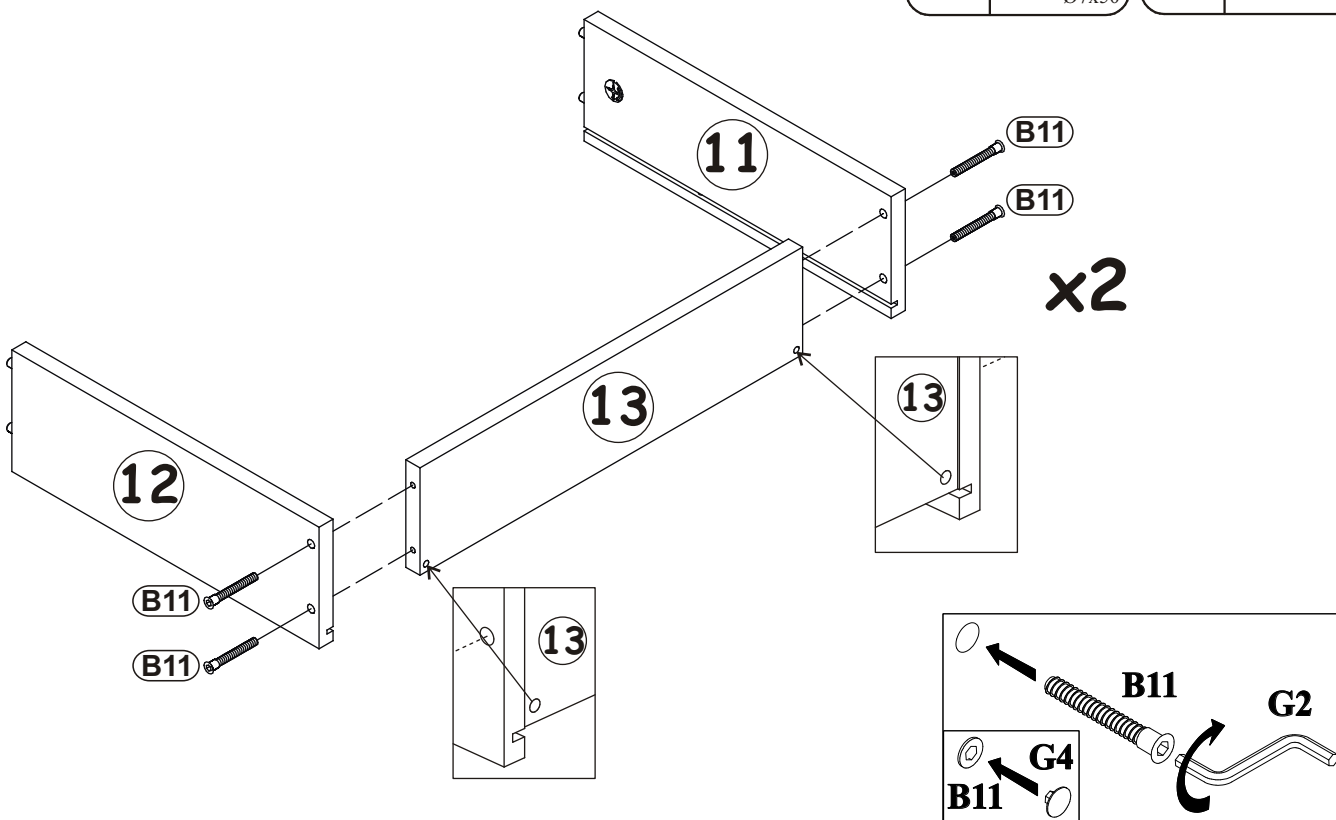


7




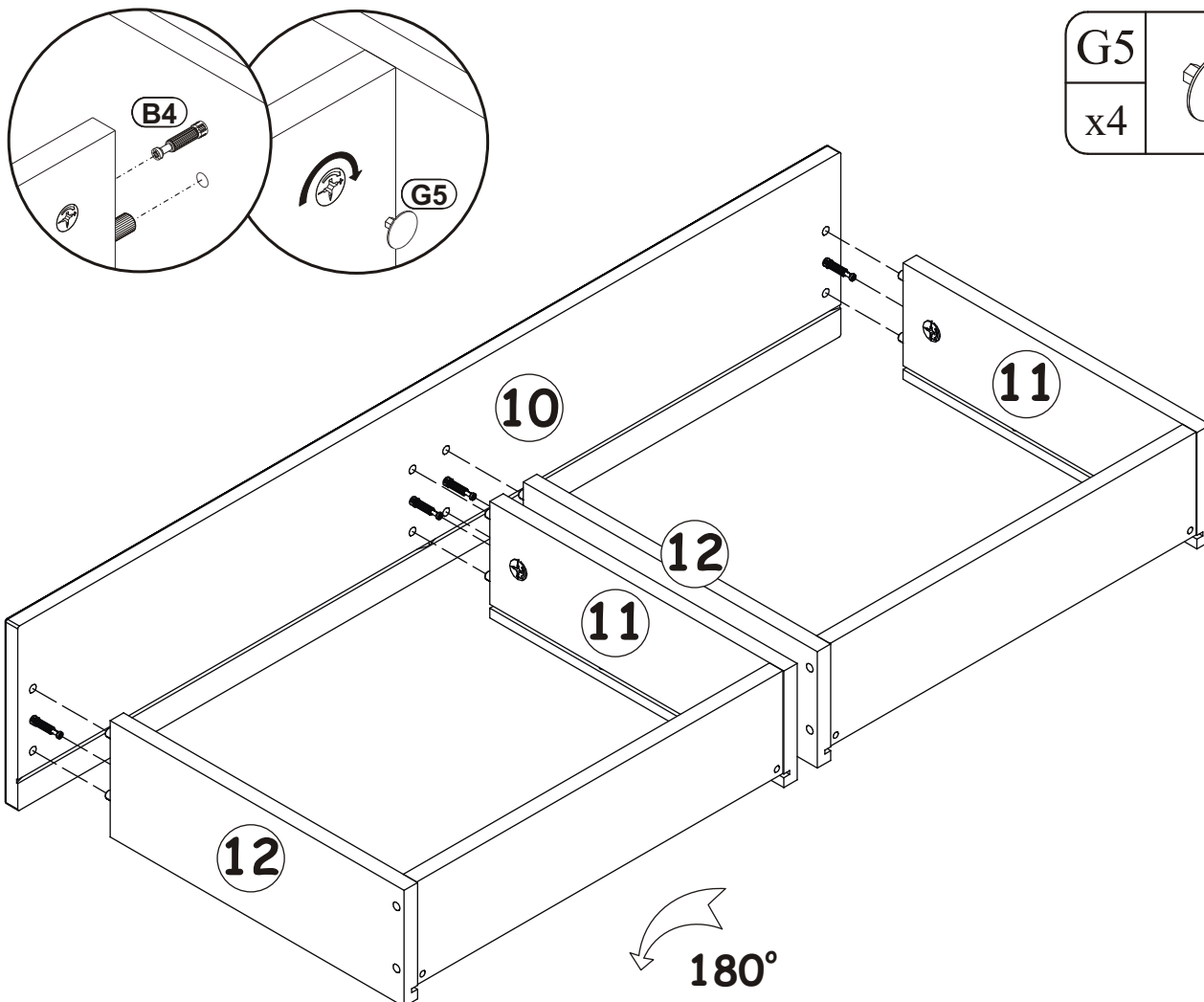
8

B11		G4	
x8	Ø7x50	x8	

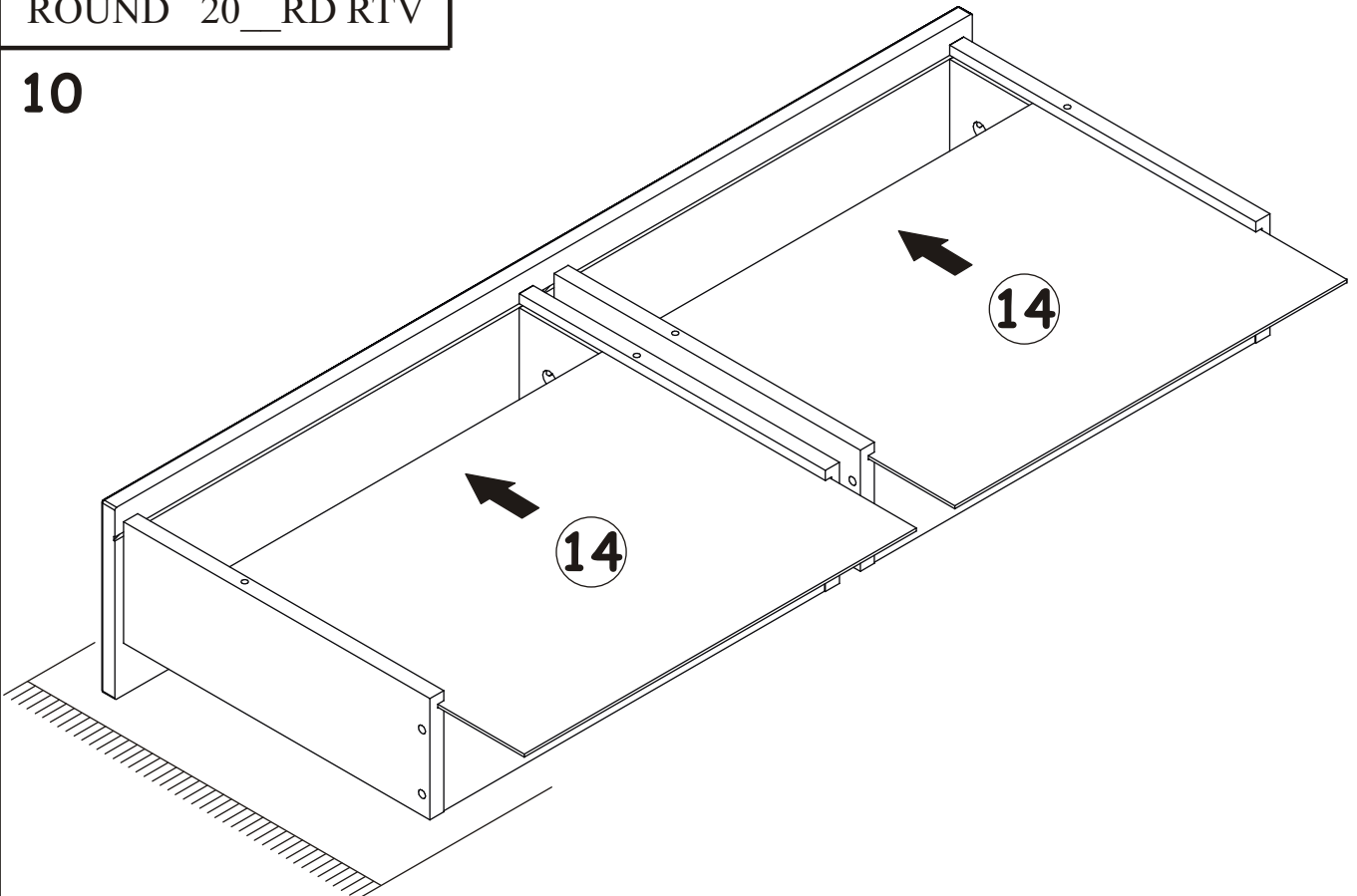


9

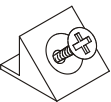

G5	
x4	



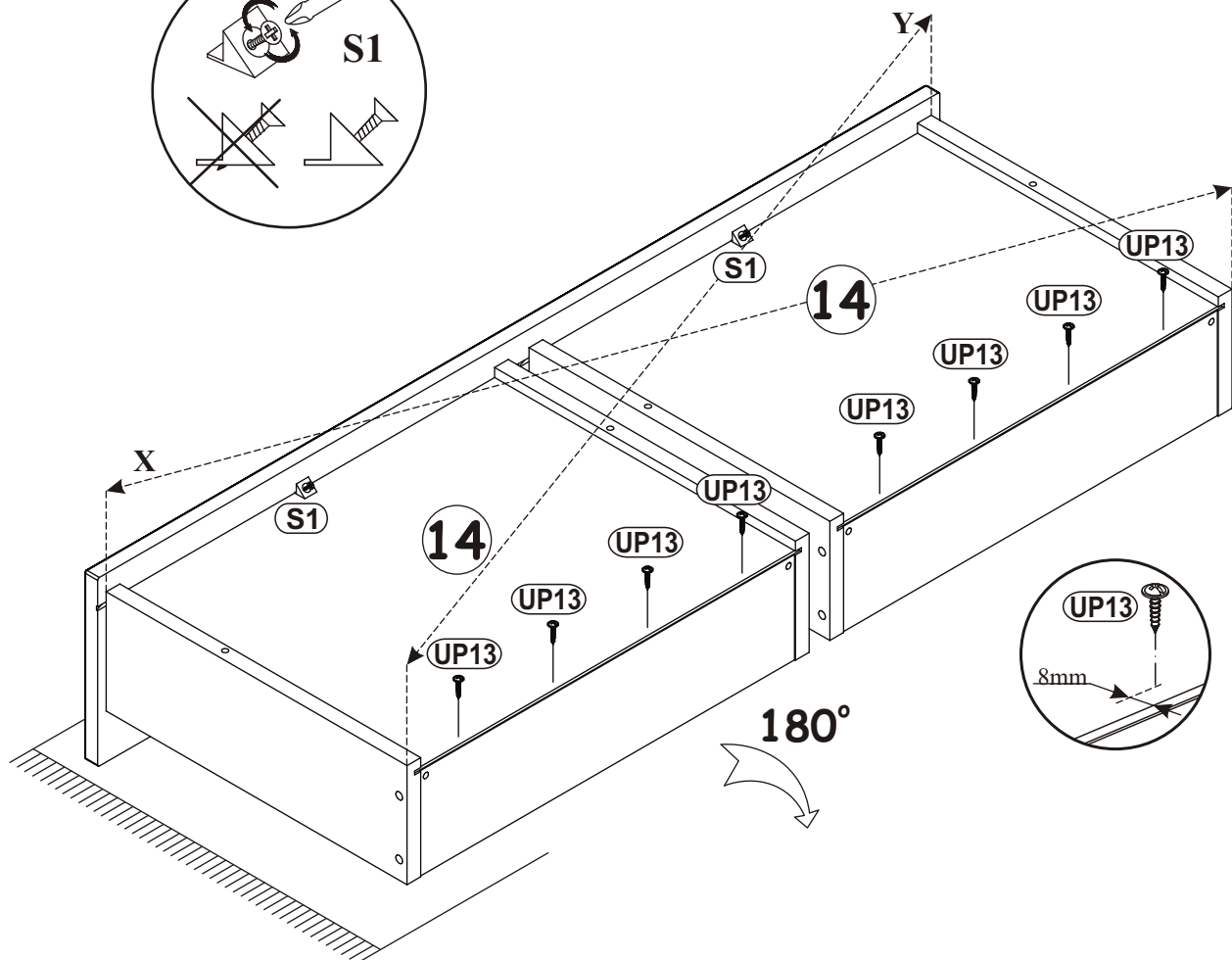
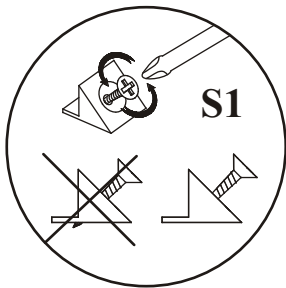
10



11

S1		UP13	
x2		x8	UPØ3x16

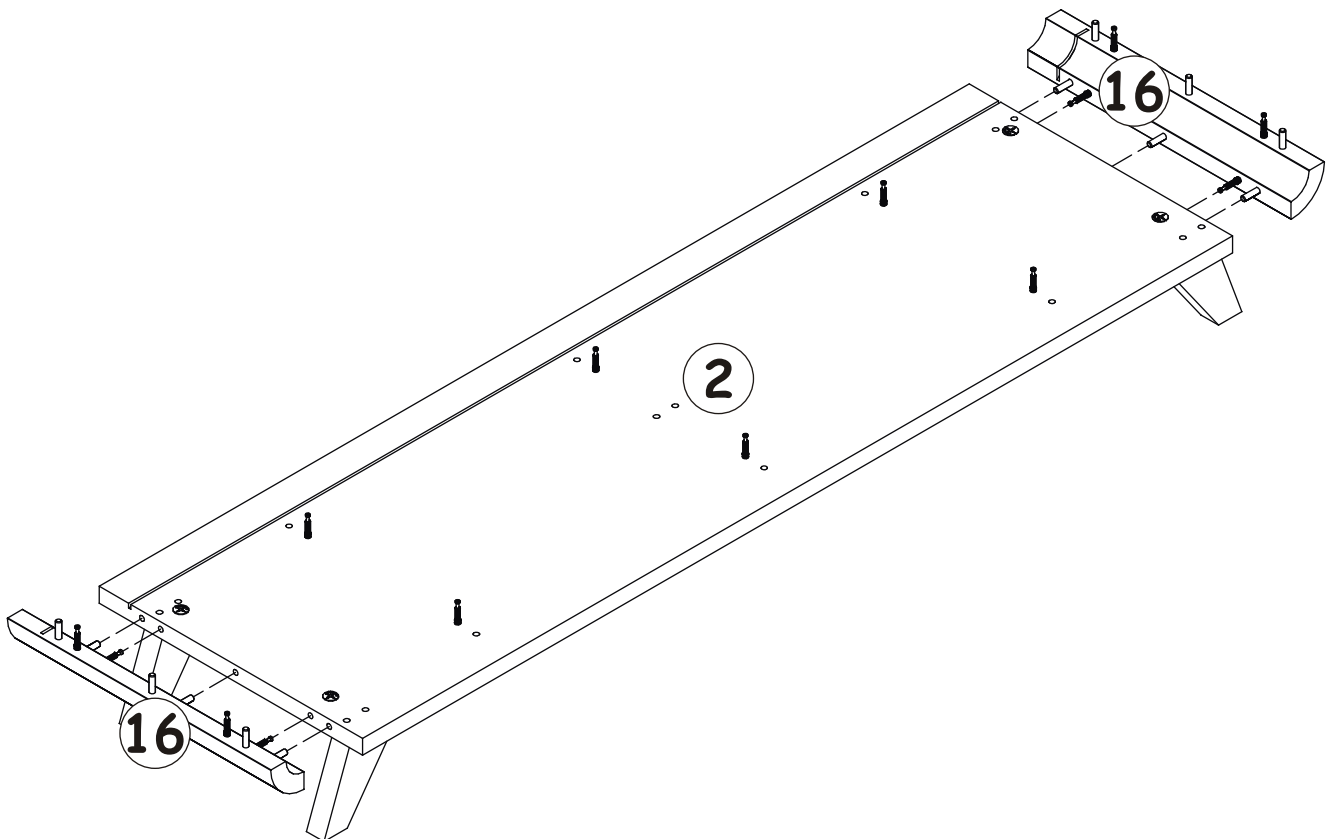
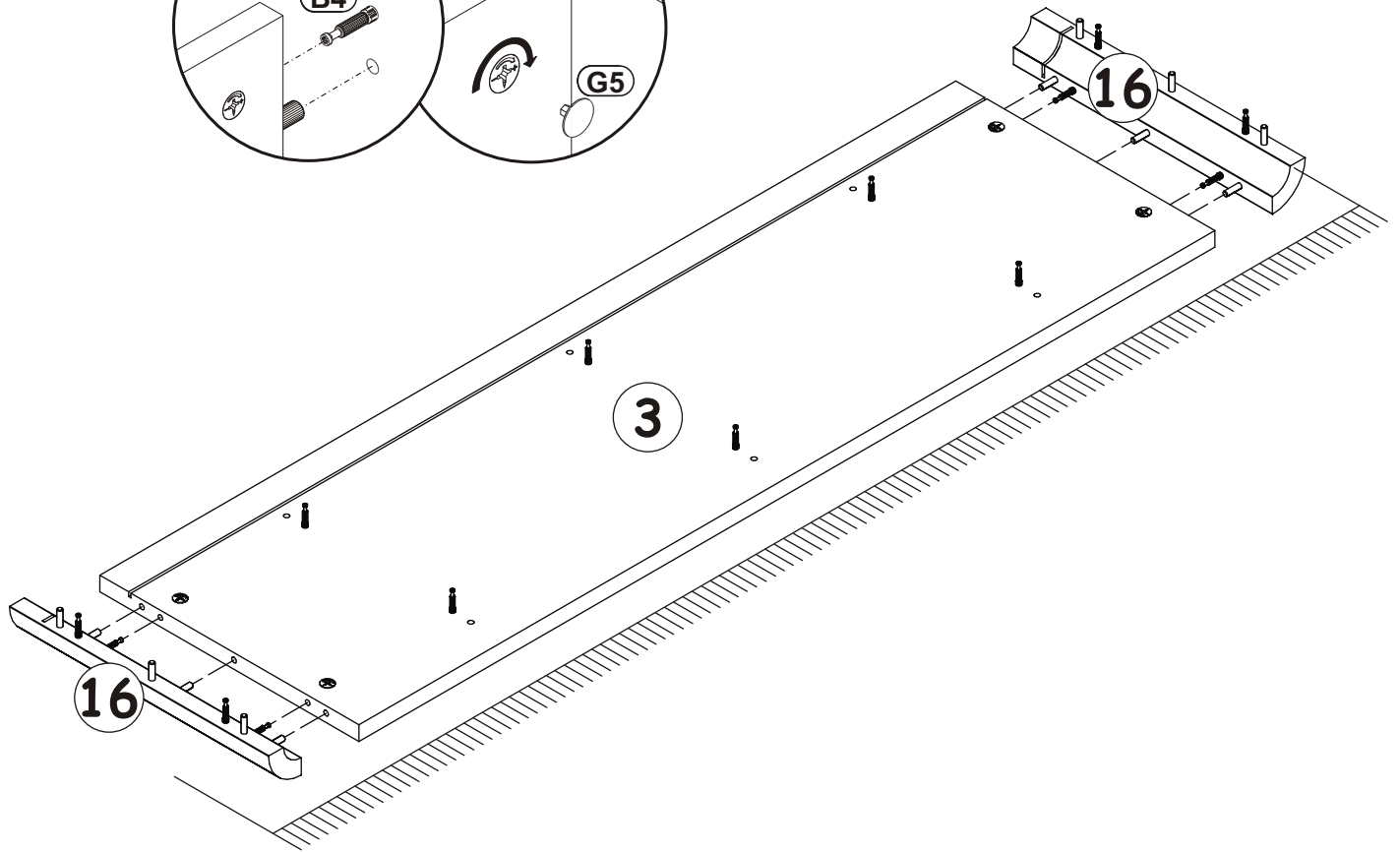
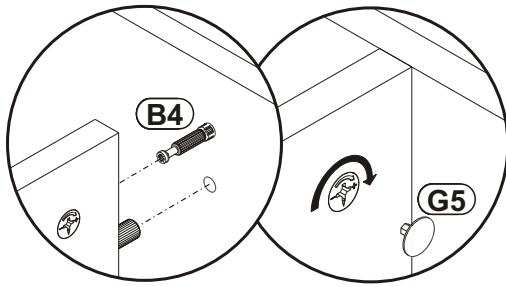
$X=Y$   $90^\circ$

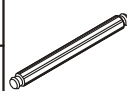







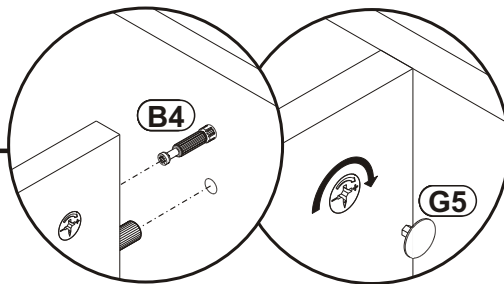
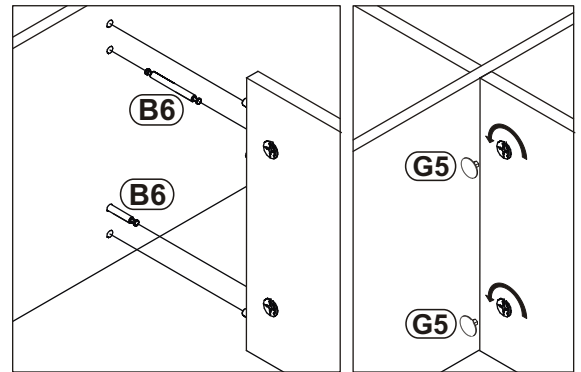
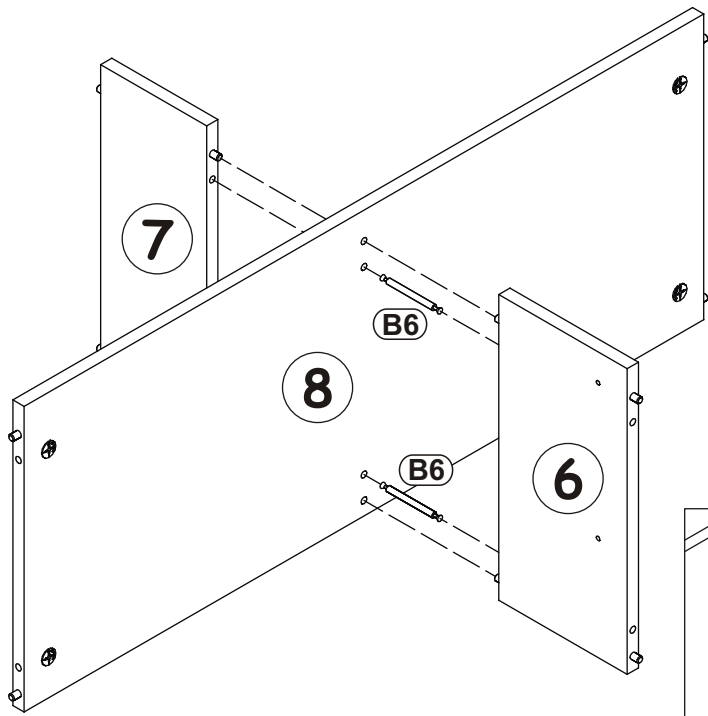
12




B6	
x2	Ø7x76

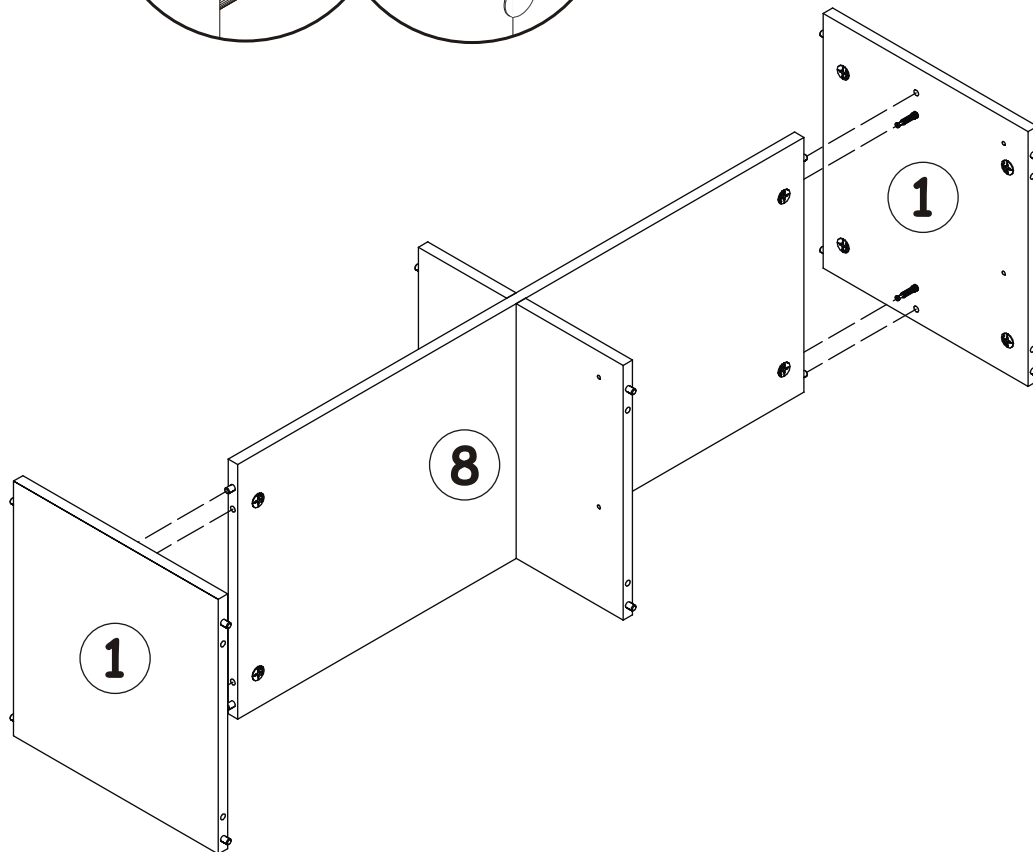
G5	
x4	


13



14

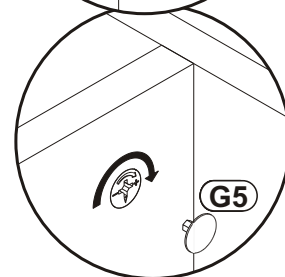
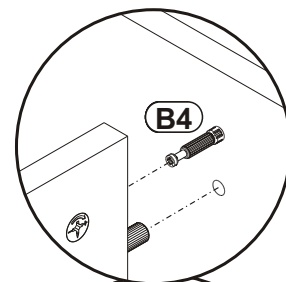
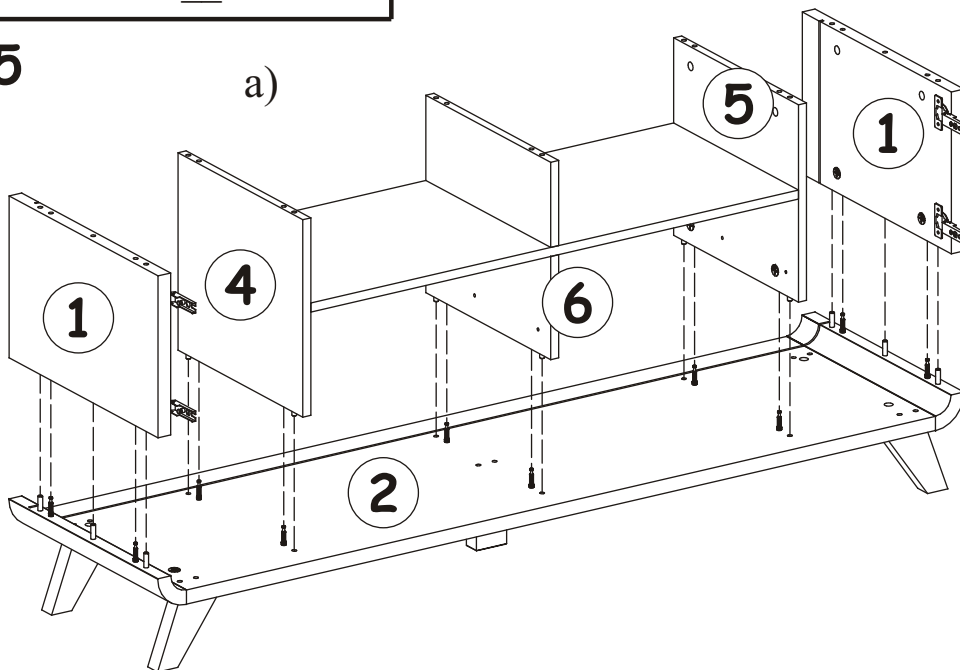
G5	
x4	



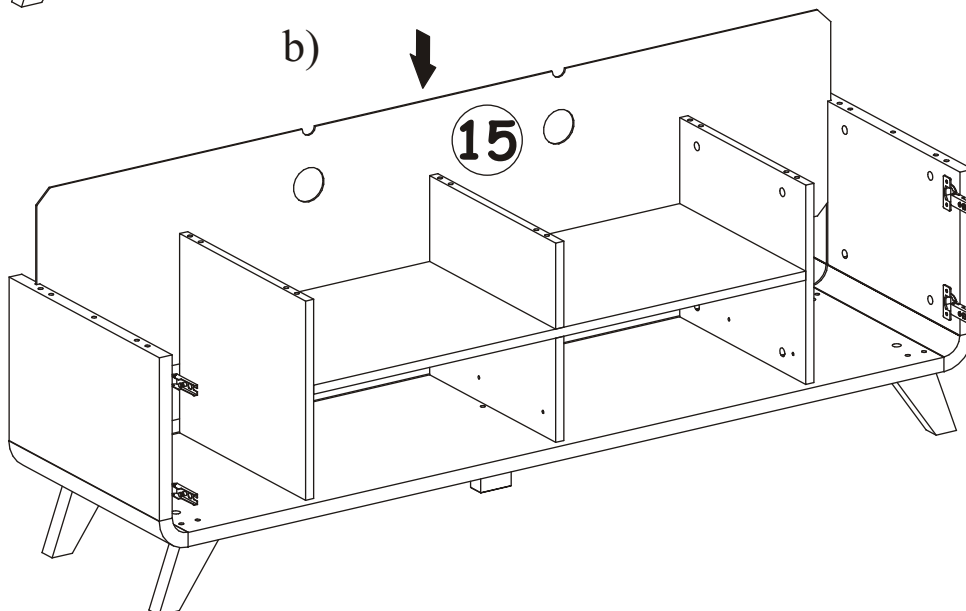
G5	
x20	

15

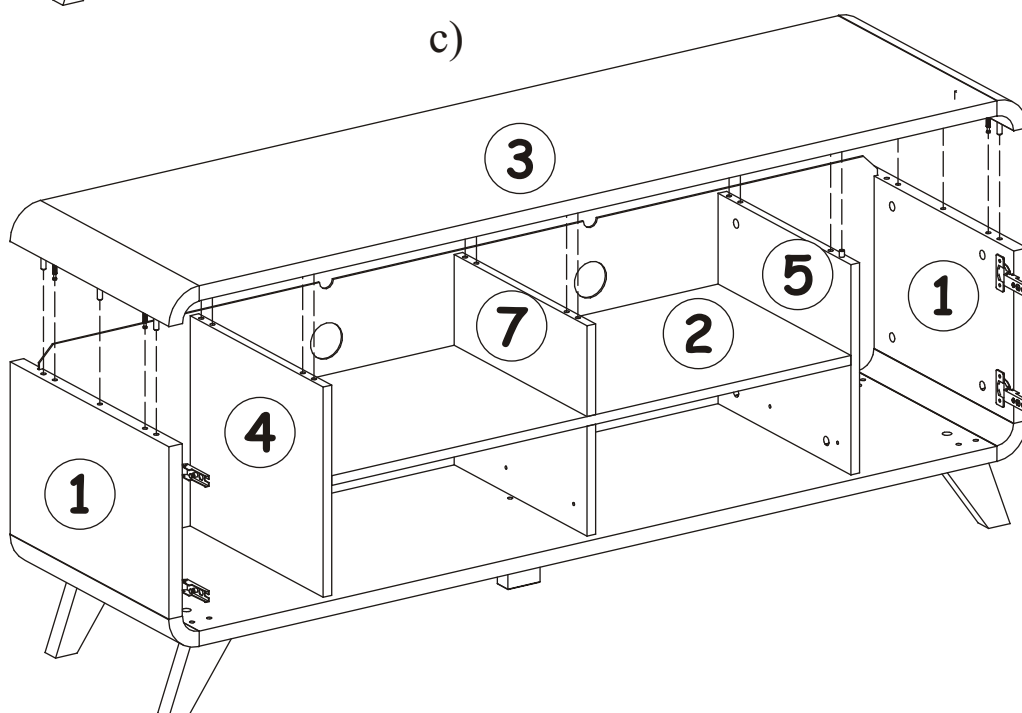
a)



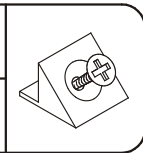
b)



c)



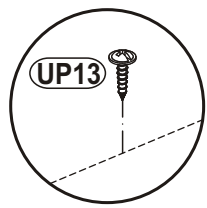
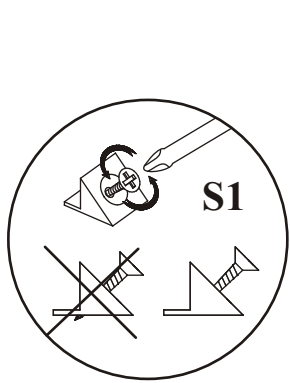
S1  
x12



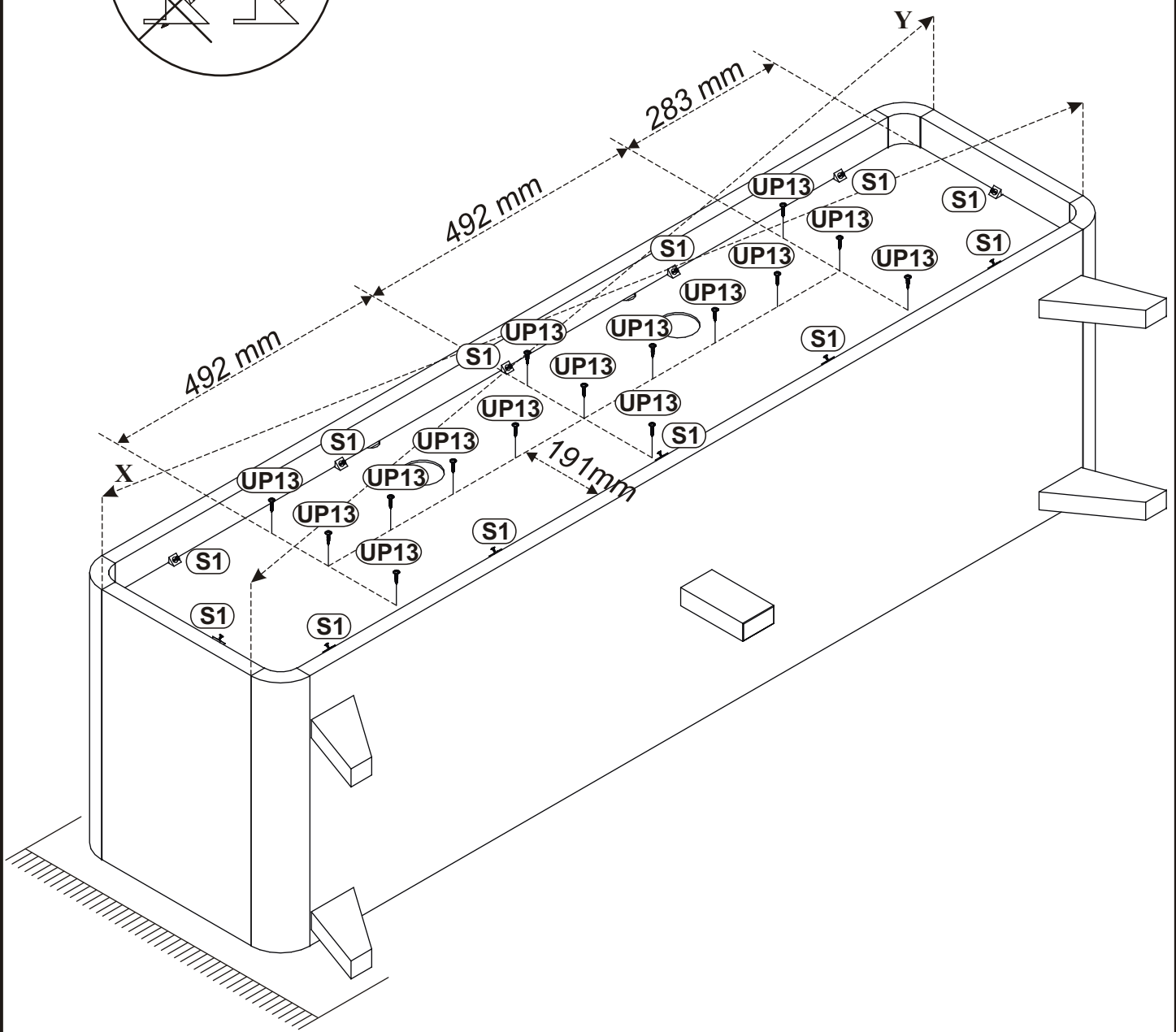
UP13  
x15



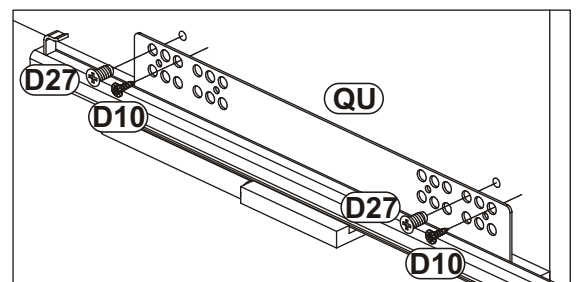
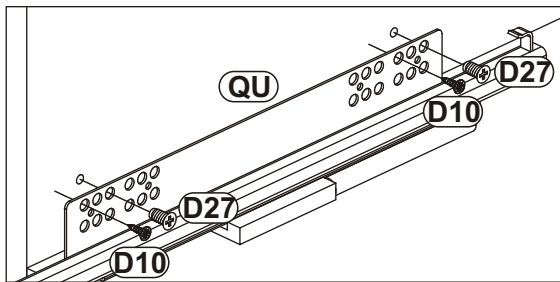
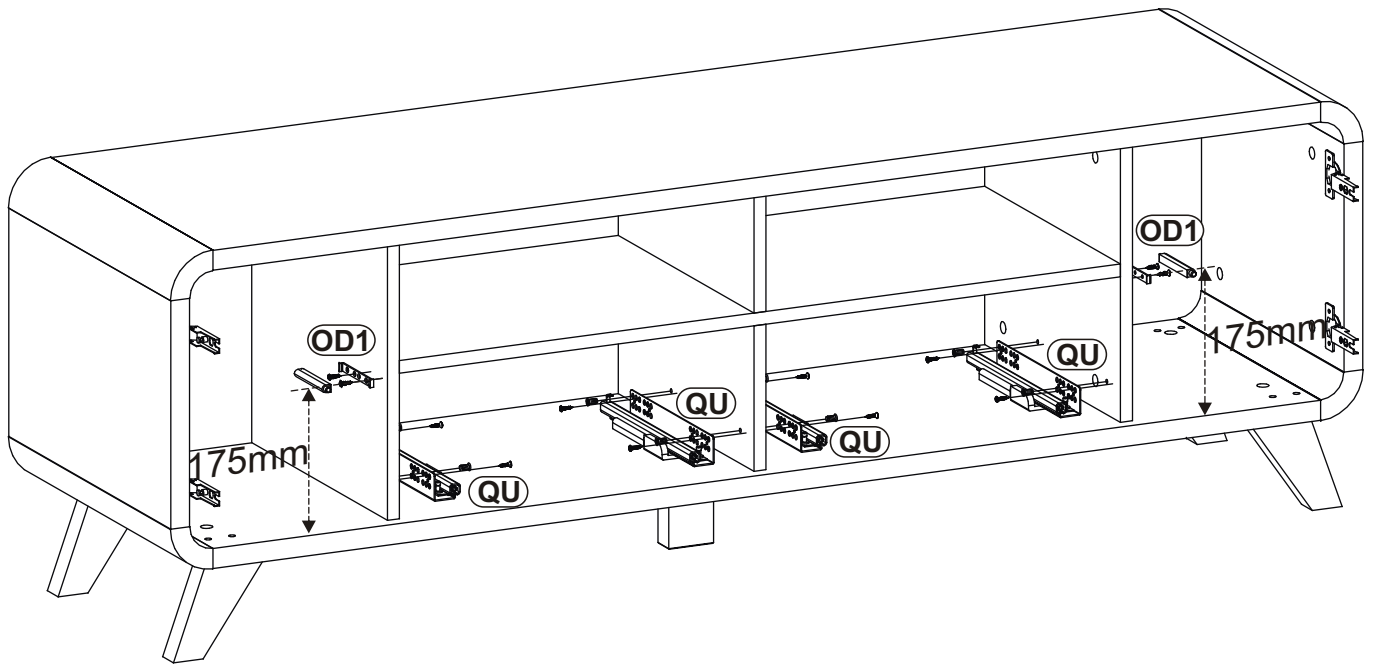
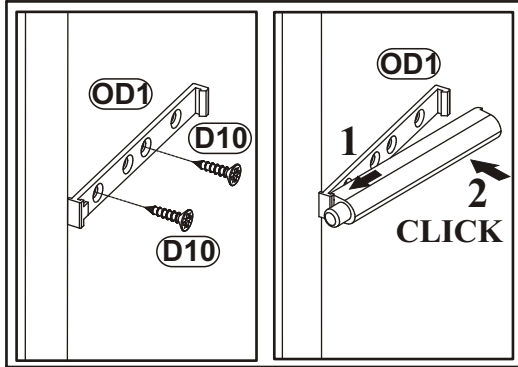
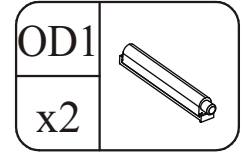
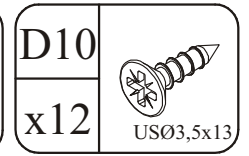
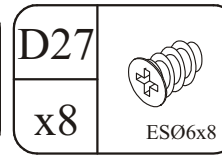
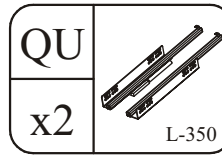
16



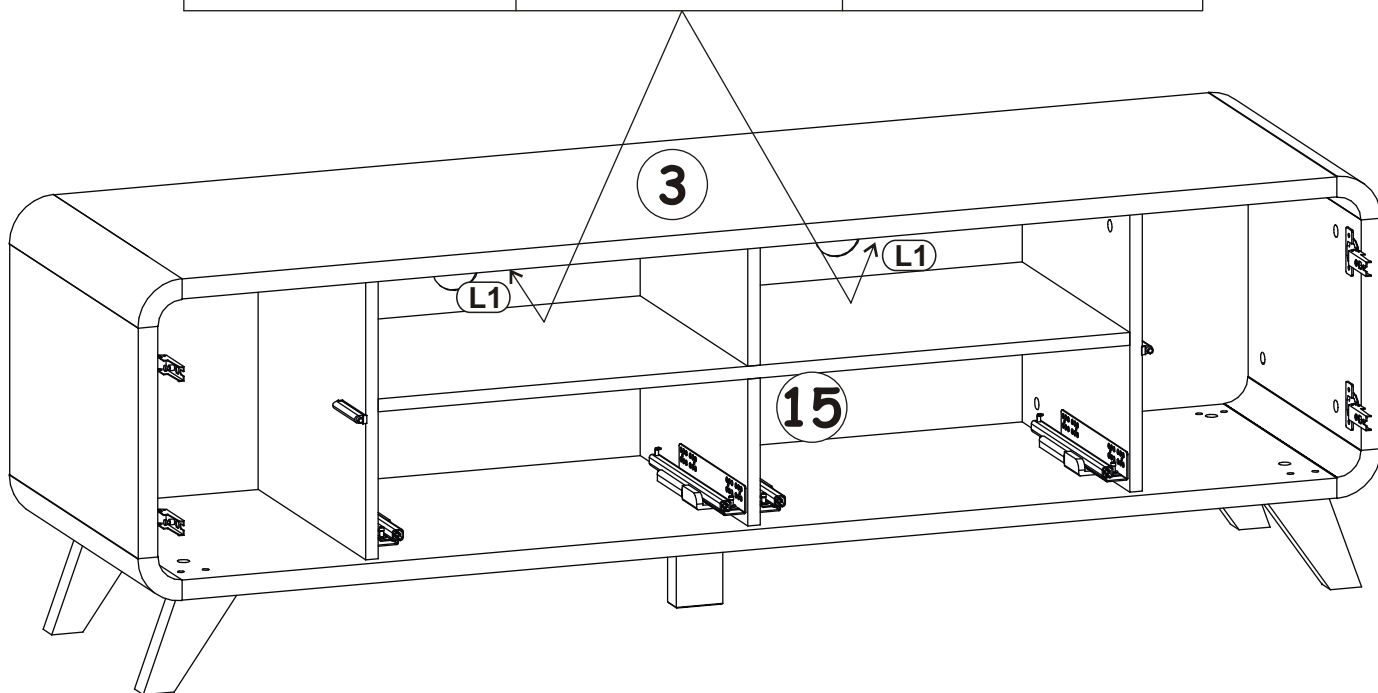
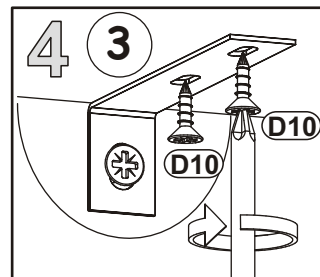
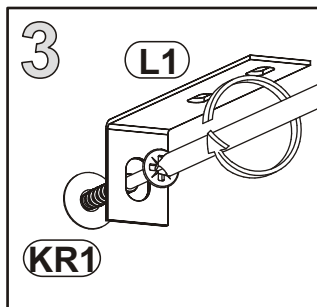
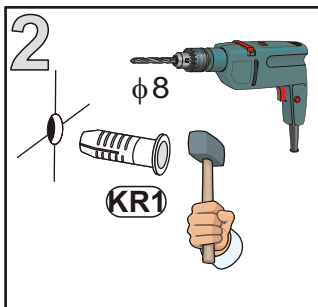
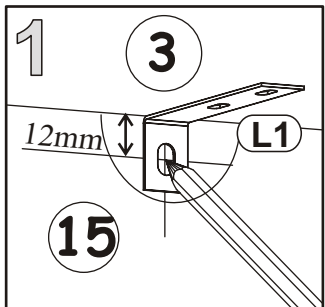
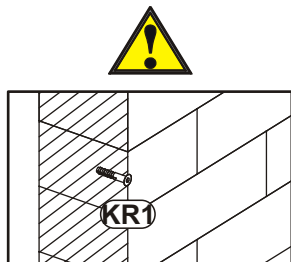
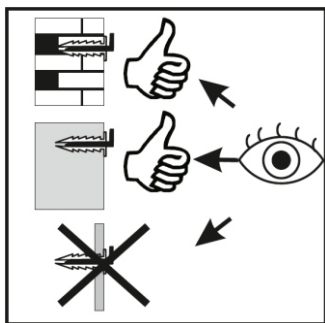
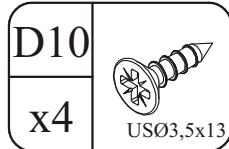
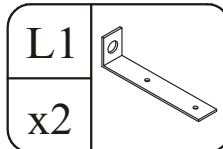
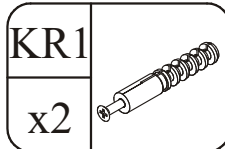
X=Y  $\uparrow$  90°



17



18



19

