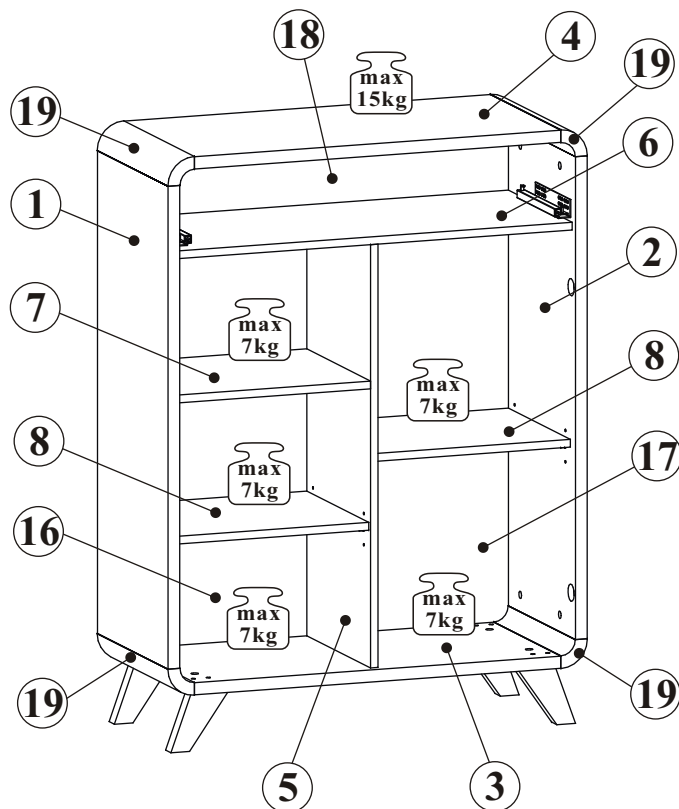
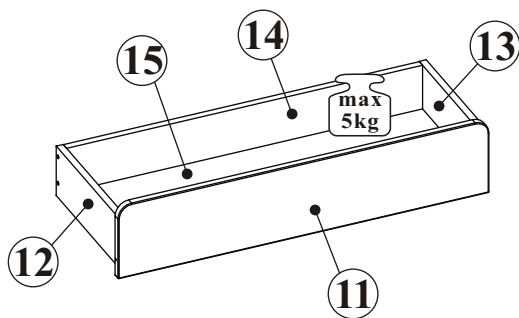
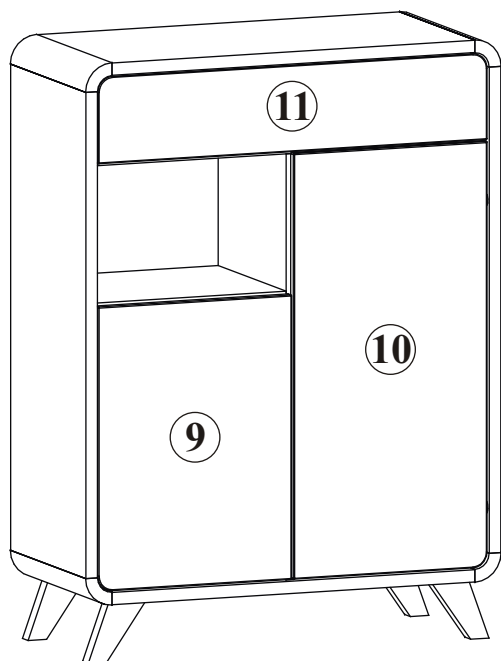
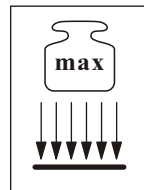
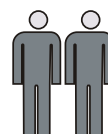
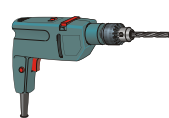


# ROUND 20\_RD WSN



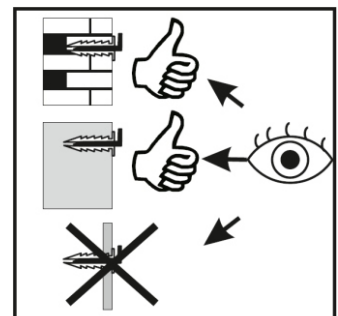
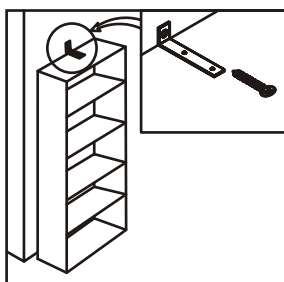
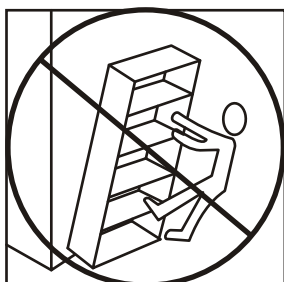
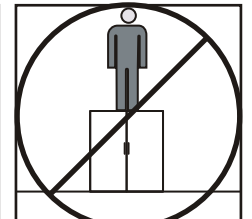
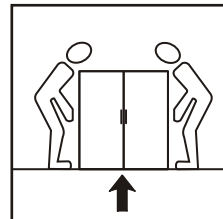
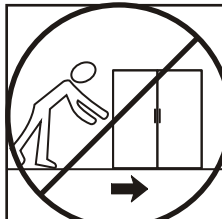
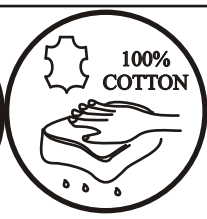
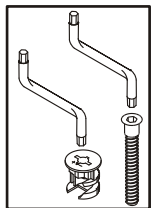
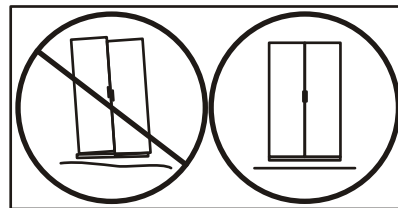
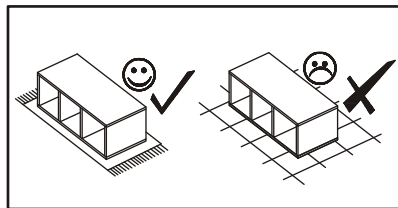
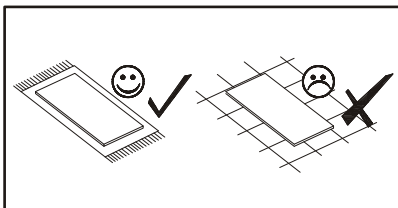
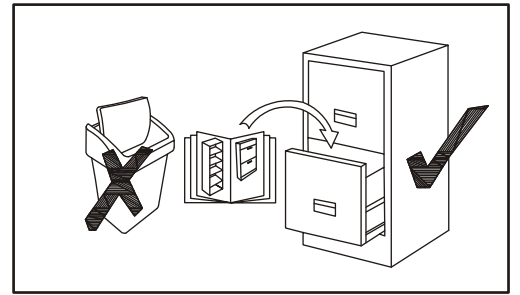
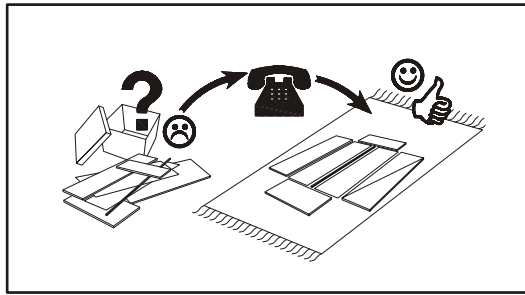
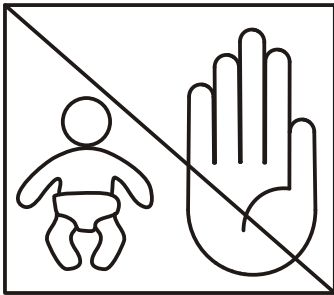
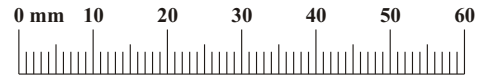
NO	Dim.			Col.-No	Qty
1	988	400	25	1 / 2.	1
2	988	400	25	1 / 2.	1
3	787	400	25	1 / 2.	1
4	787	400	25	1 / 2.	1
5	866	361	16	2 / 2.	1
6	850	361	16	2 / 2.	1
7	417	361	16	2 / 2.	1
8	417	351	16	2 / 2.	2
9	420	578	16	2 / 2.	1
10	420	865	16	2 / 2.	1
11	844	176	16	2 / 2.	1
12	300	120	16	2 / 2.	1
13	300	120	16	2 / 2.	1
14	810	106	16	2 / 2.	1
15	822	304	3	2 / 2.	1
16	879	430	3	2 / 2.	1
17	879	430	3	2 / 2.	1
18	182	862	3	2 / 2.	1
19	400	80	35	2 / 2.	4



120 min


ROUND 20\_RD WSN

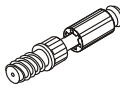
A1 x40 ø8x36	B4 x30	B5 x14 ø15x12	B16 x16 Ø15x16	G5 x30	G7 x8
E21 x4 Ø35 H=0	E2 x4 H=0	D10 x18 USØ3,5x13	OD1 x2	B11 x12 Ø7x50	G4 x12
QU x1 L-300	D27 x4 ESØ6x8	SK x4 H=120	S1 x16	G16 x14	UP13 x22 UPØ3x16
KR1 x1	L1 x1	G2 x1			

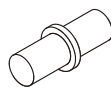


ROUND 20\_RD WSN

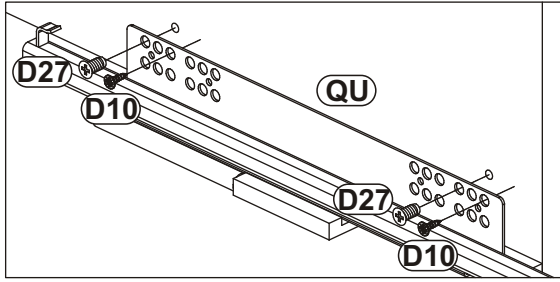
1


B16	
x8	Ø15x16


B4	
x6	


G7	
x4	

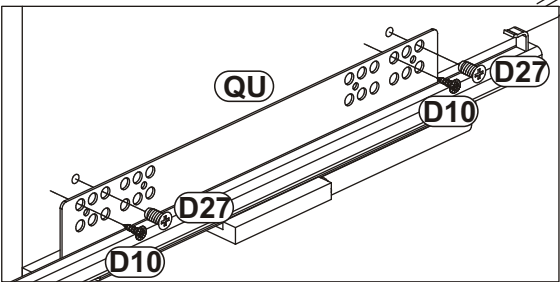
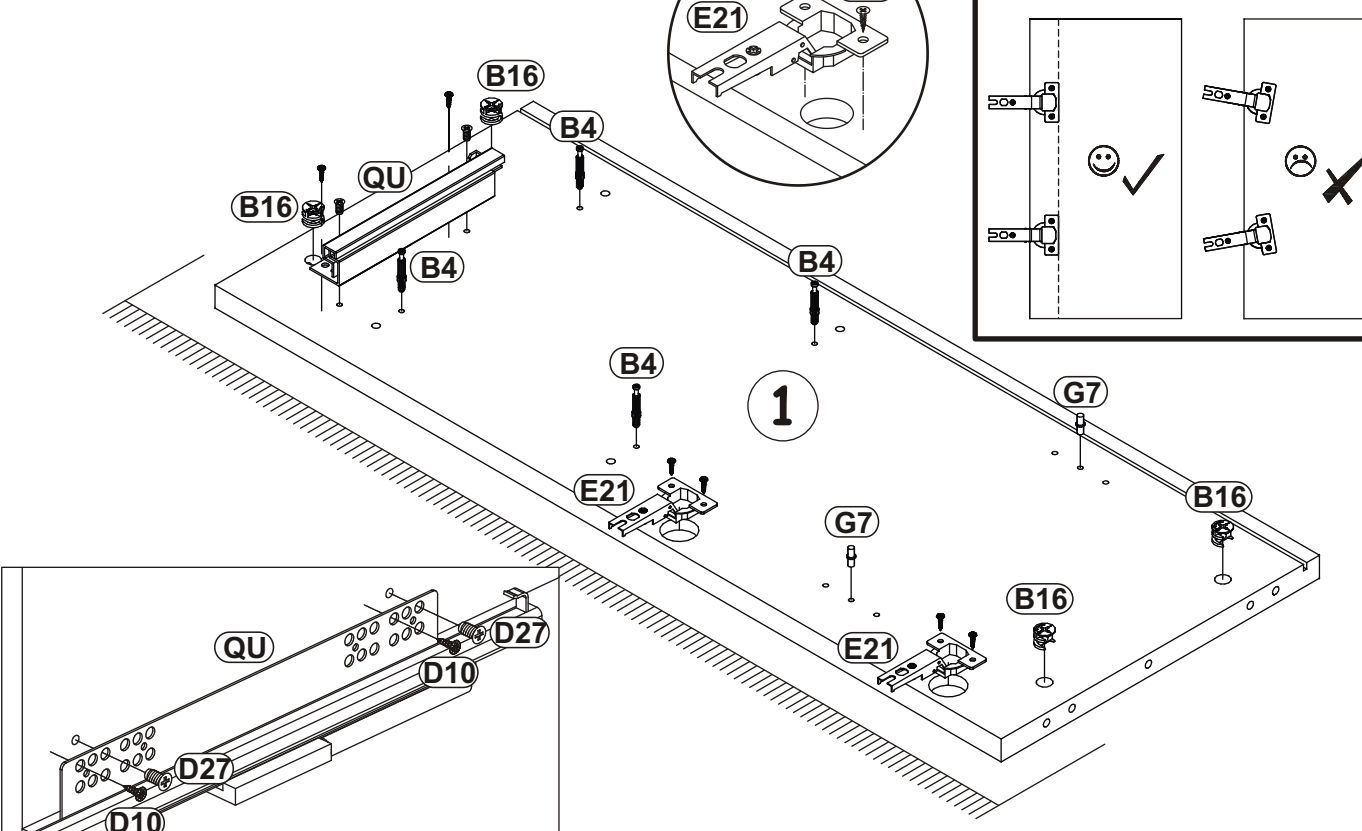
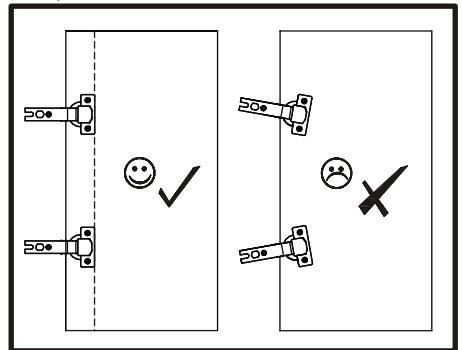
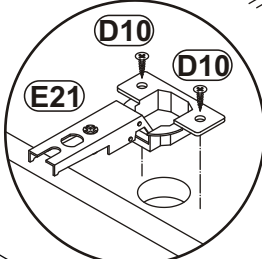
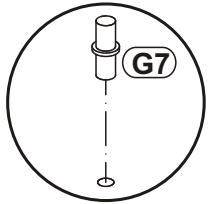
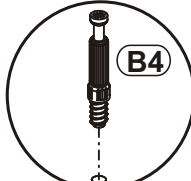
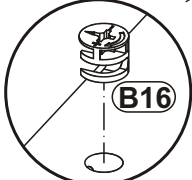
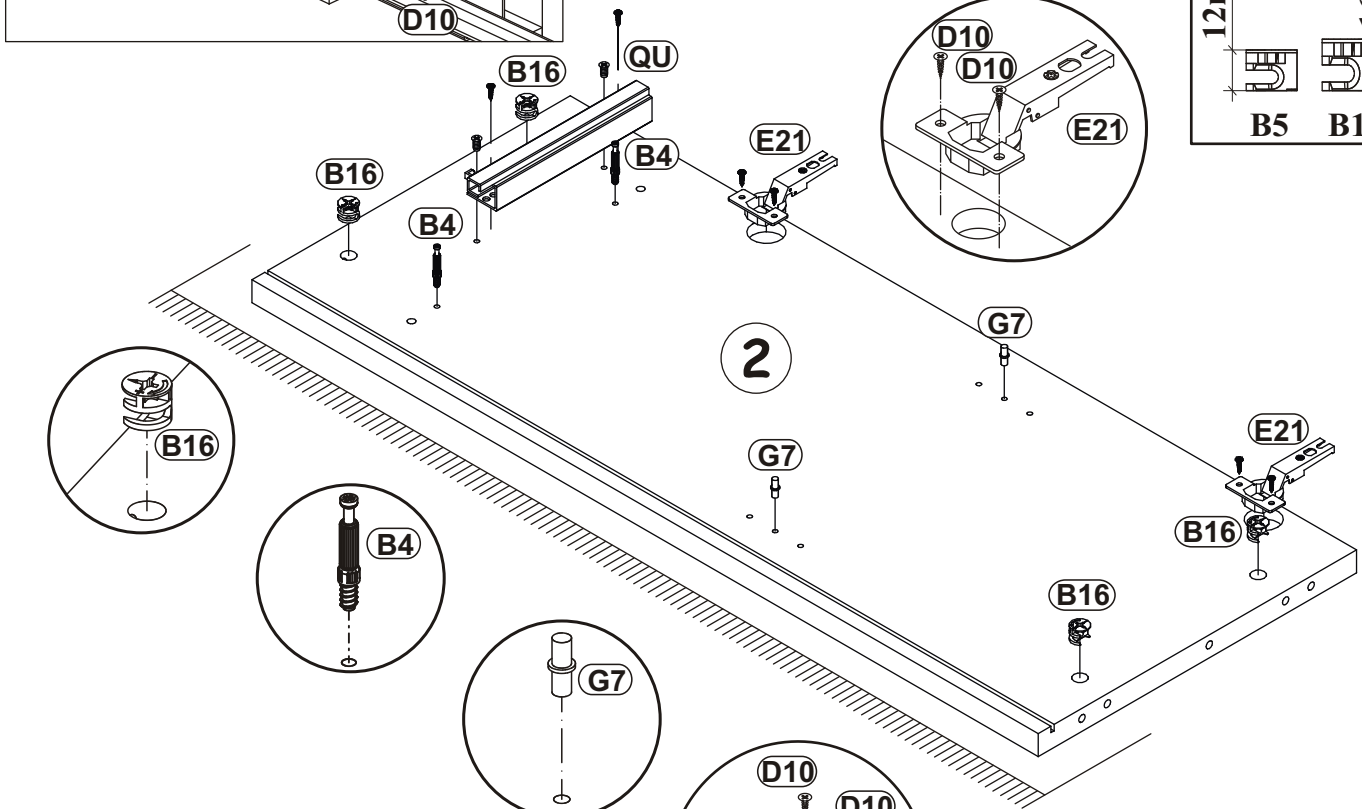
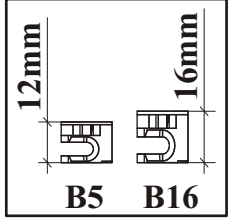
E21	Ø35
x4	H=0



QU	
x1	L-300

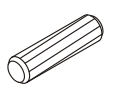

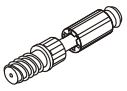
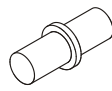
D27	
x4	ESØ6x8

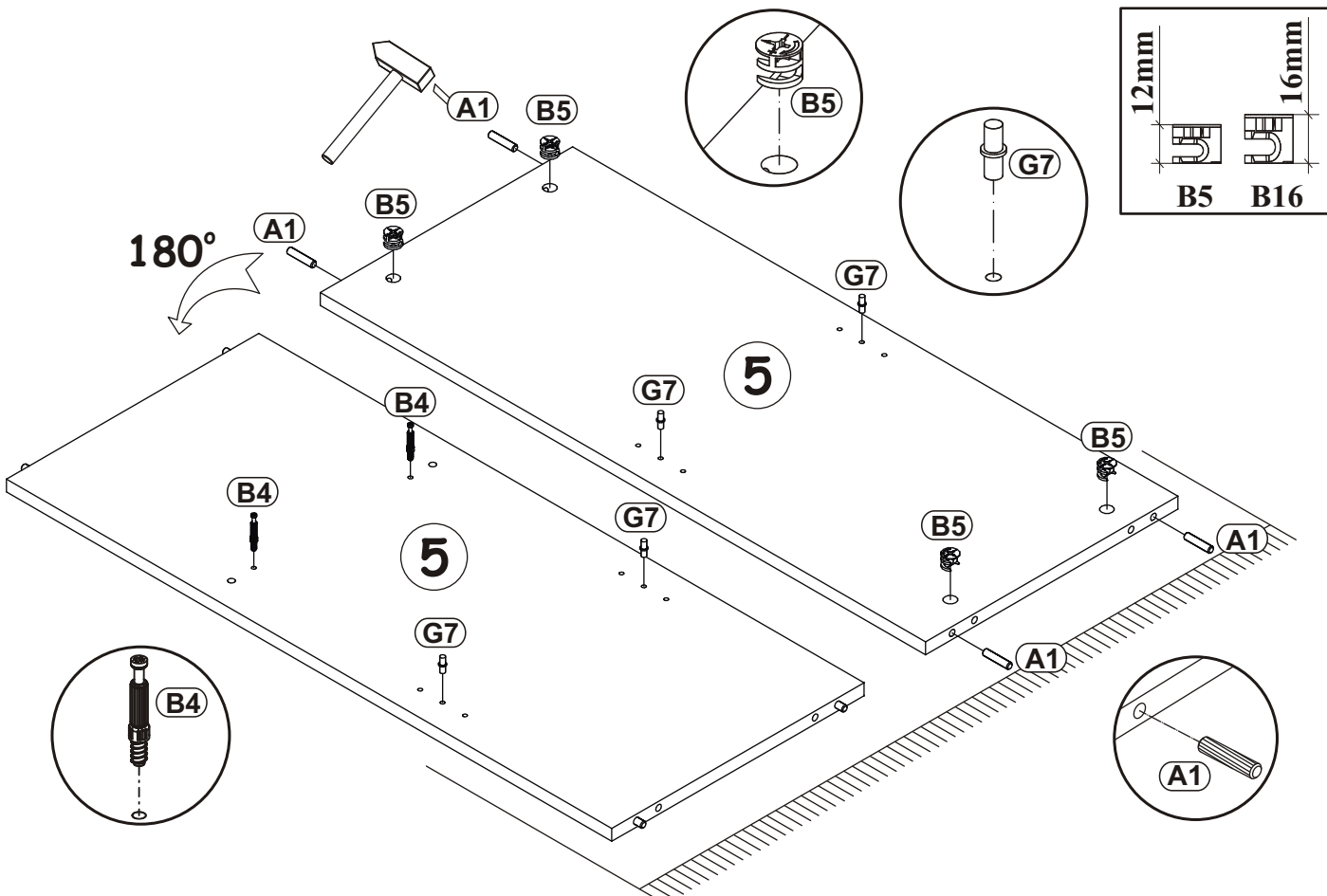
D10	
x12	USØ3,5x13






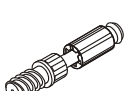
ROUND 20\_RD WSN

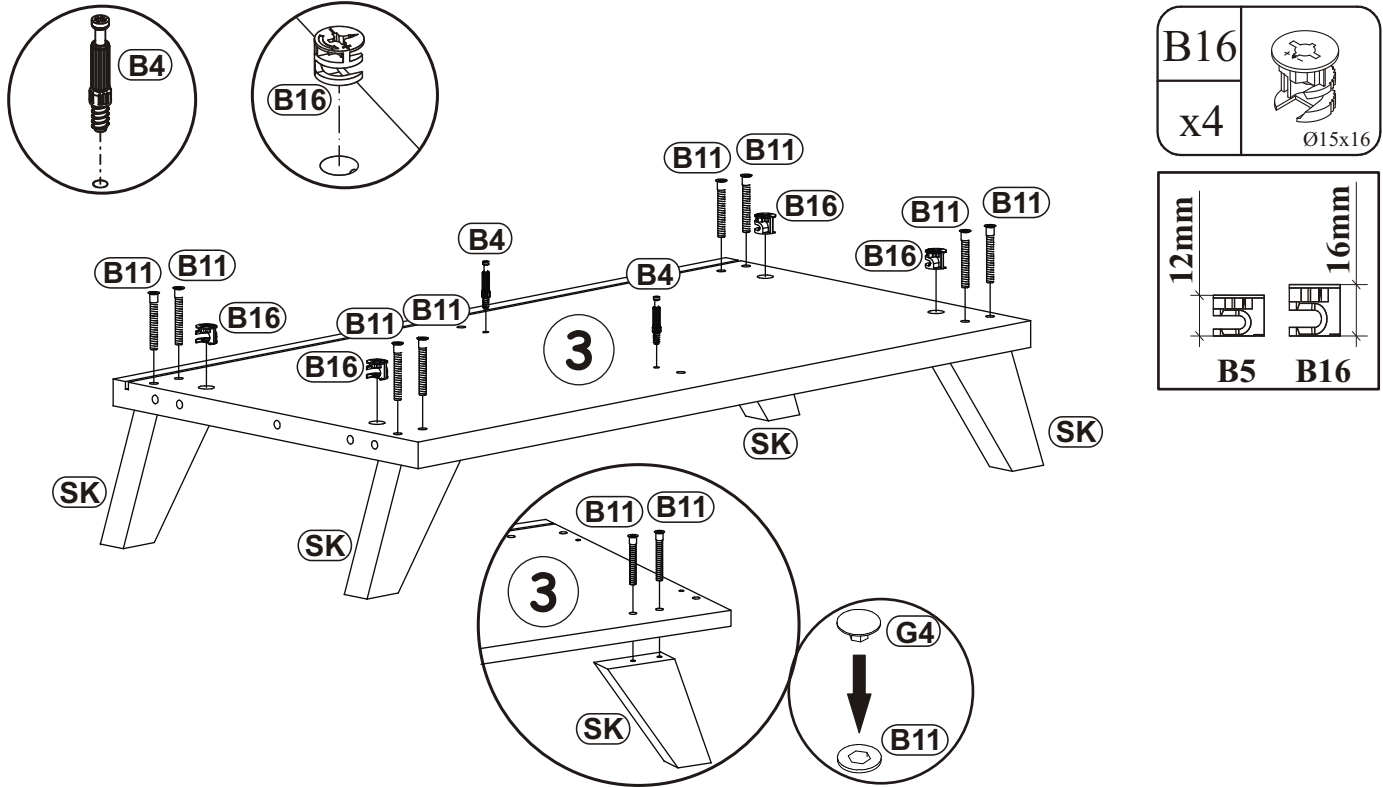
2

A1		B5		B4		G7	
x4	ø8x36	x4	ø15x12	x2		x4	

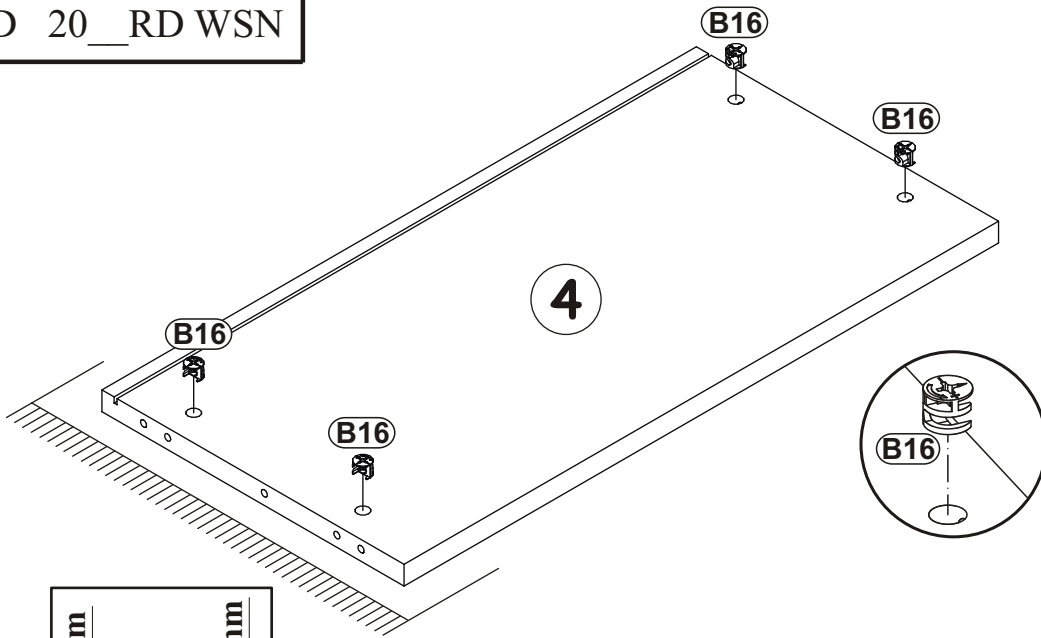



3

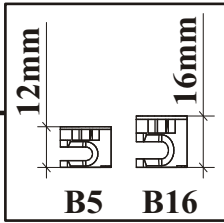
SK		B11		G4		B4	
x4	H=120	x8	ø7x50	x8		x2	



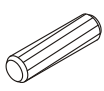

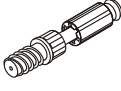
4

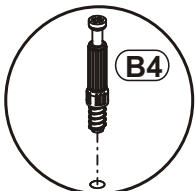
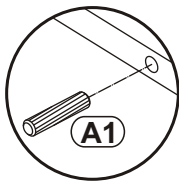
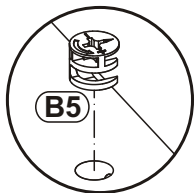
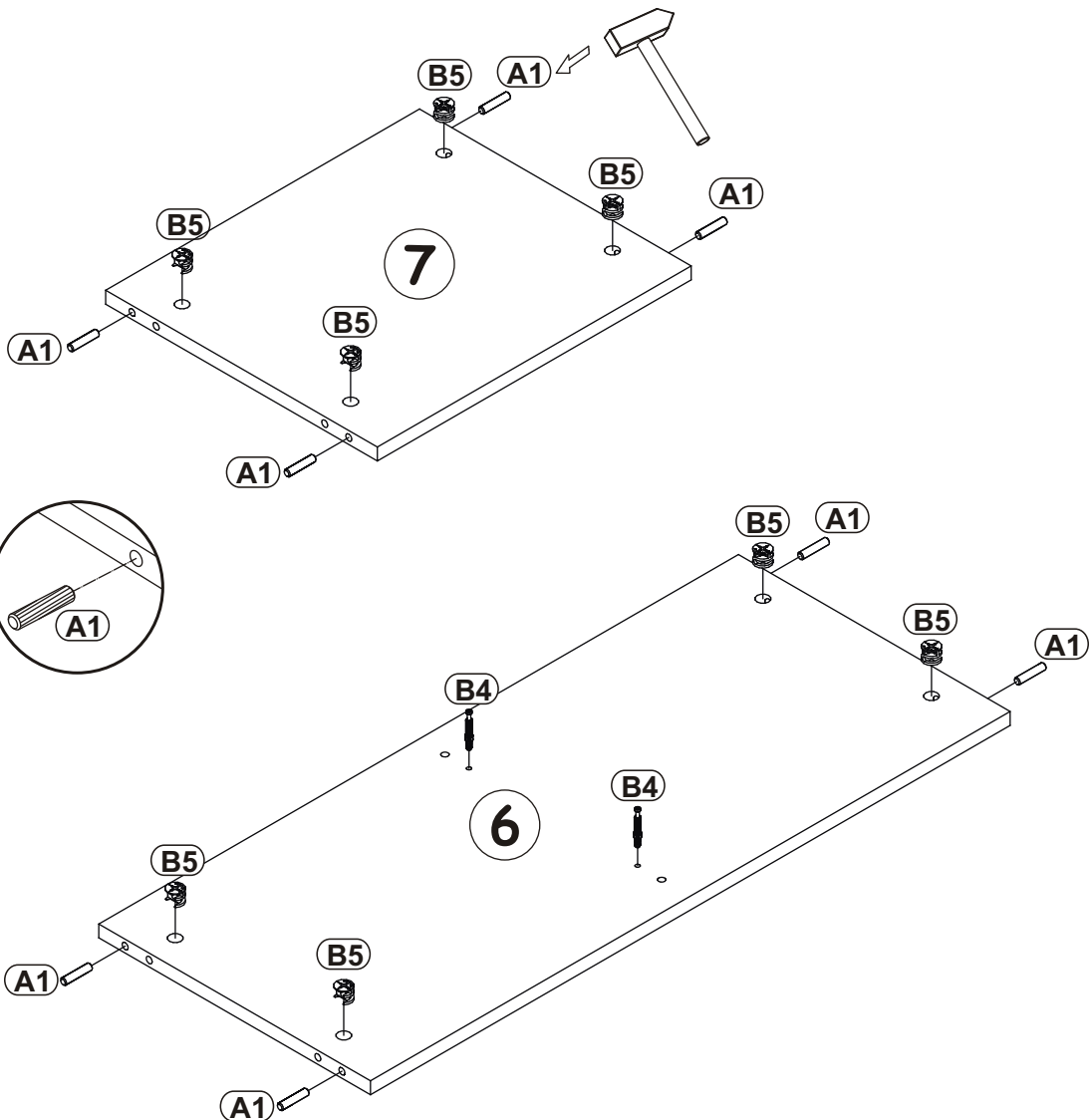


B16	
x4	Ø15x16



5

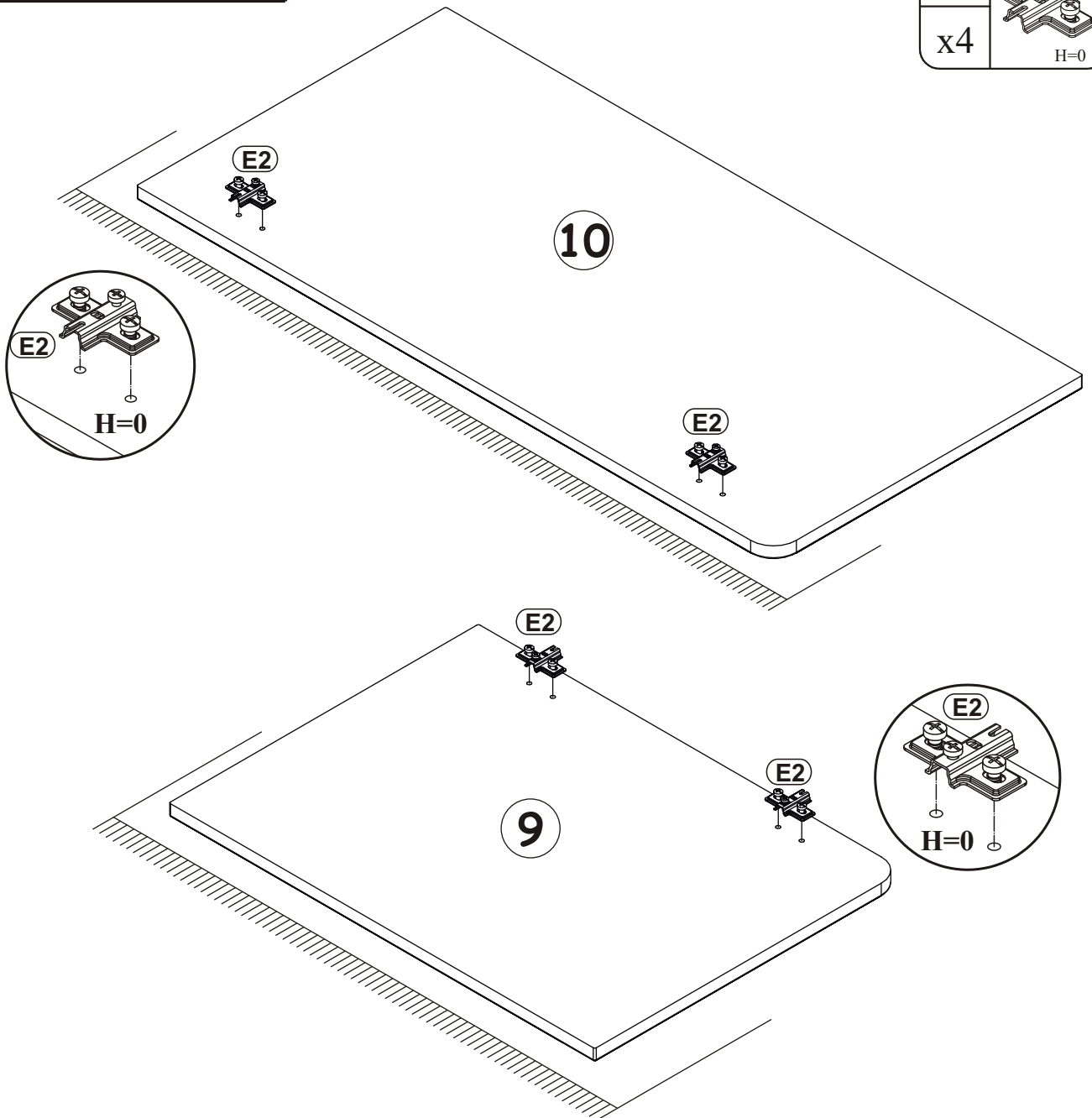
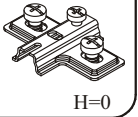
A1		B5		B4	
x8	ø8x36	x8	ø15x12	x2	



6

E2

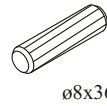
x4



7

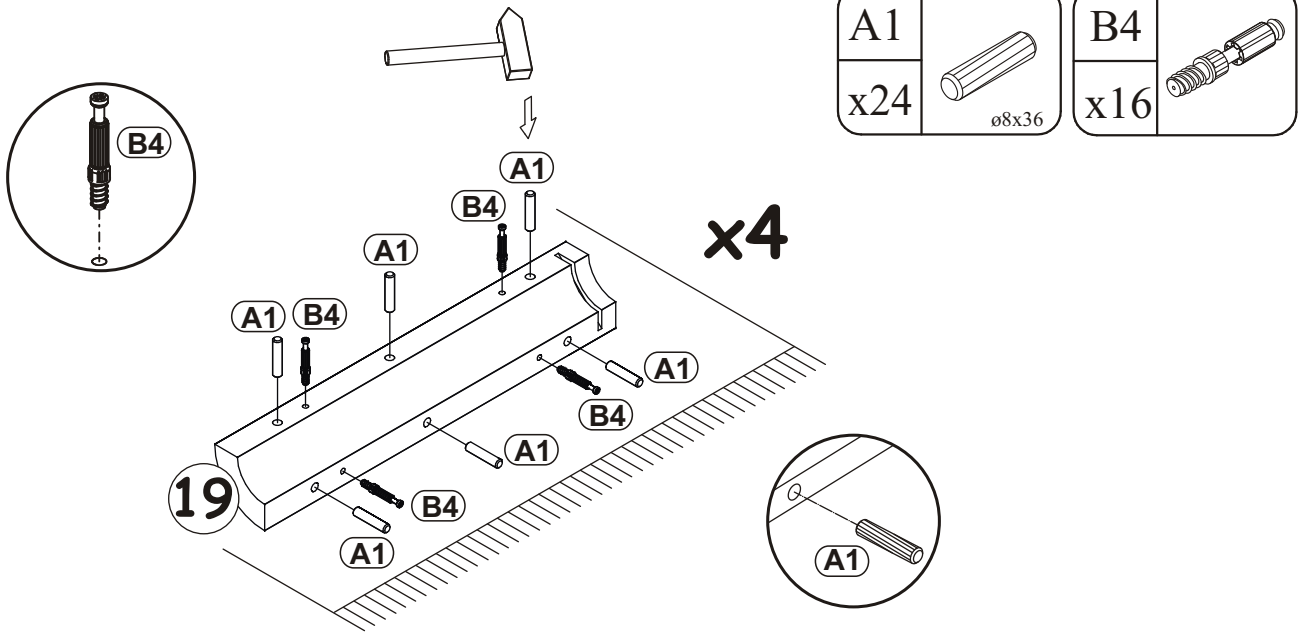
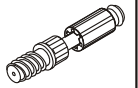
A1

x24

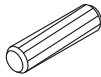


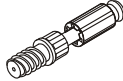
B4


x16

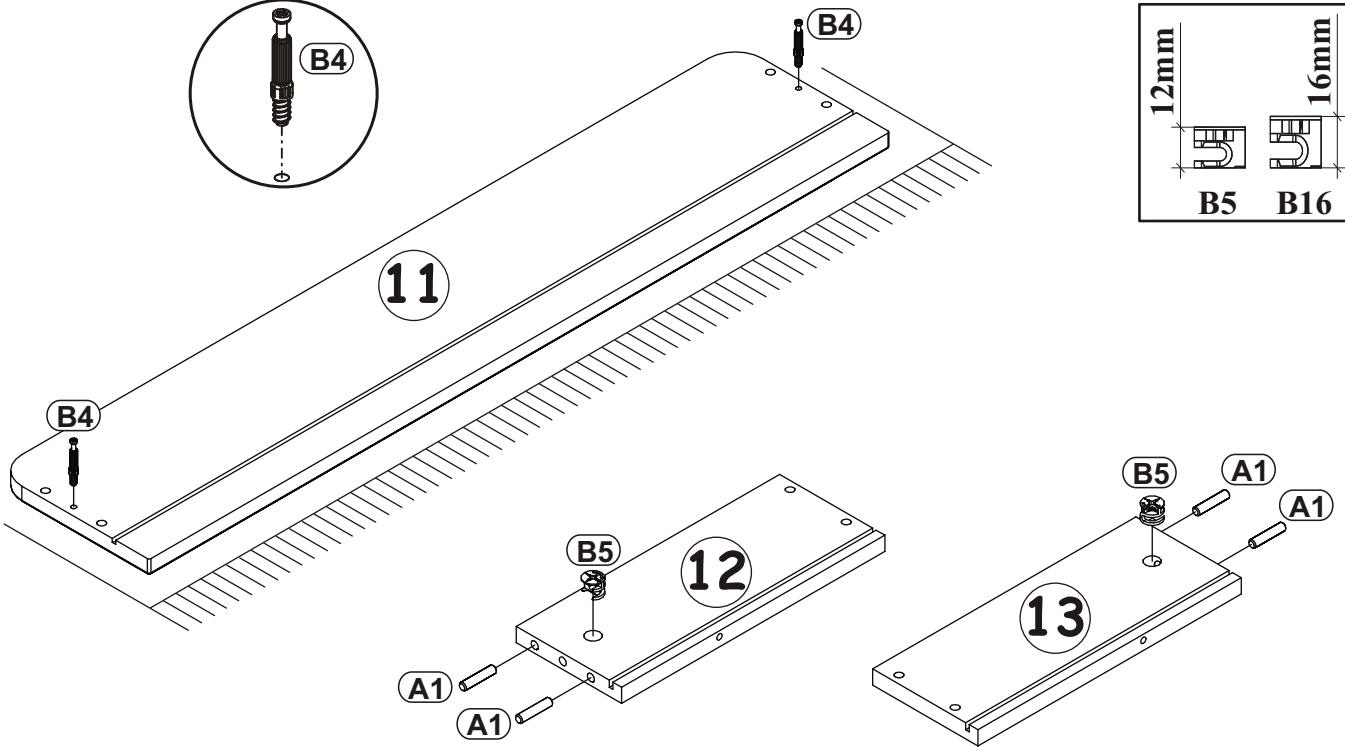
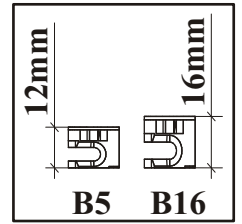


8


A1	
x4	ø8x36


B4	
x2	

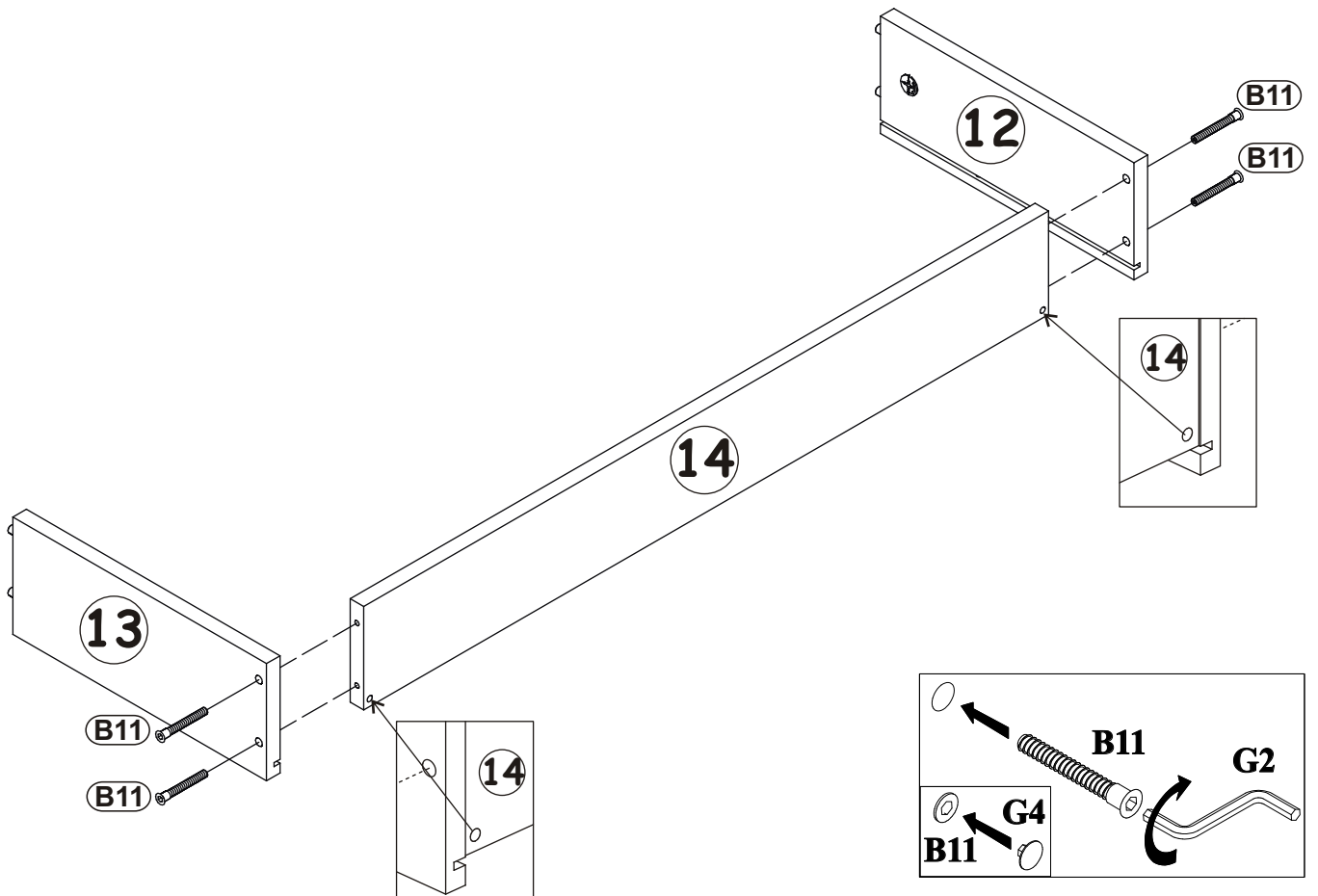
B5	
x2	ø15x12



9

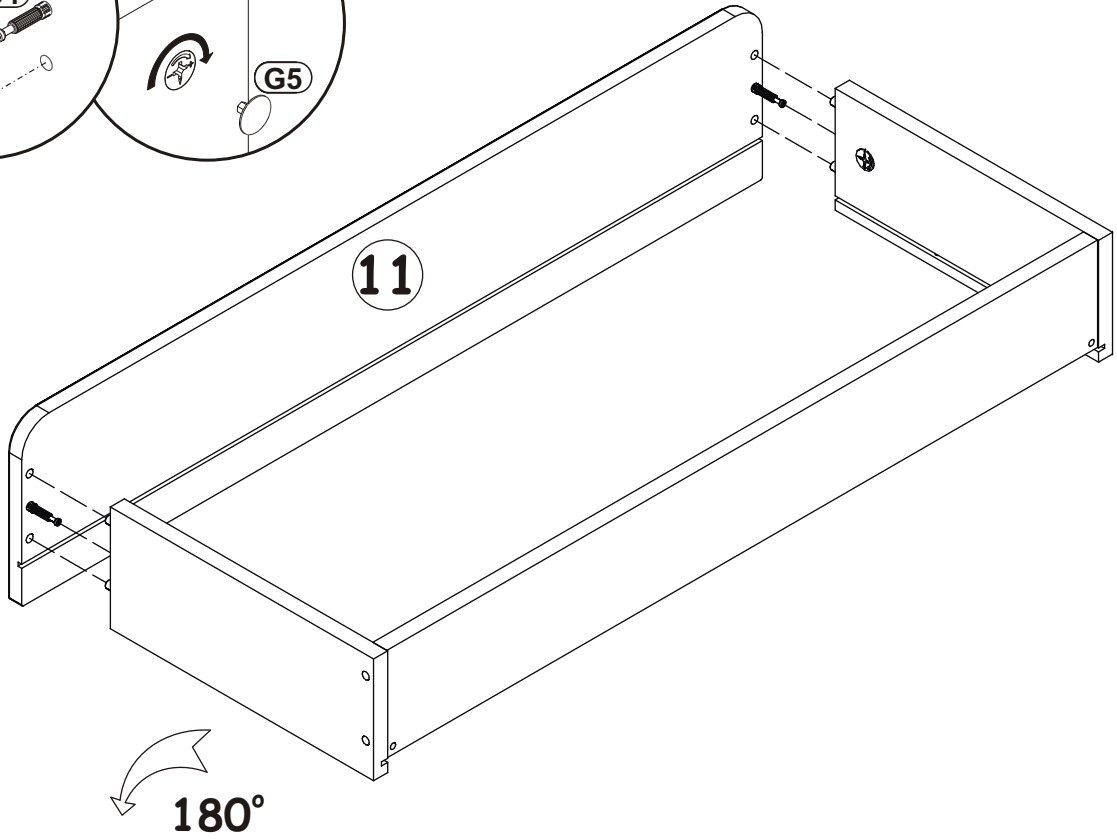
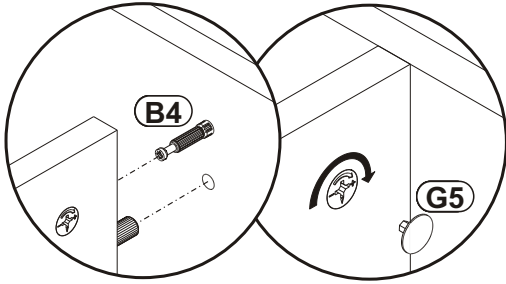
B11	
x4	Ø7x50

G4	
x4	

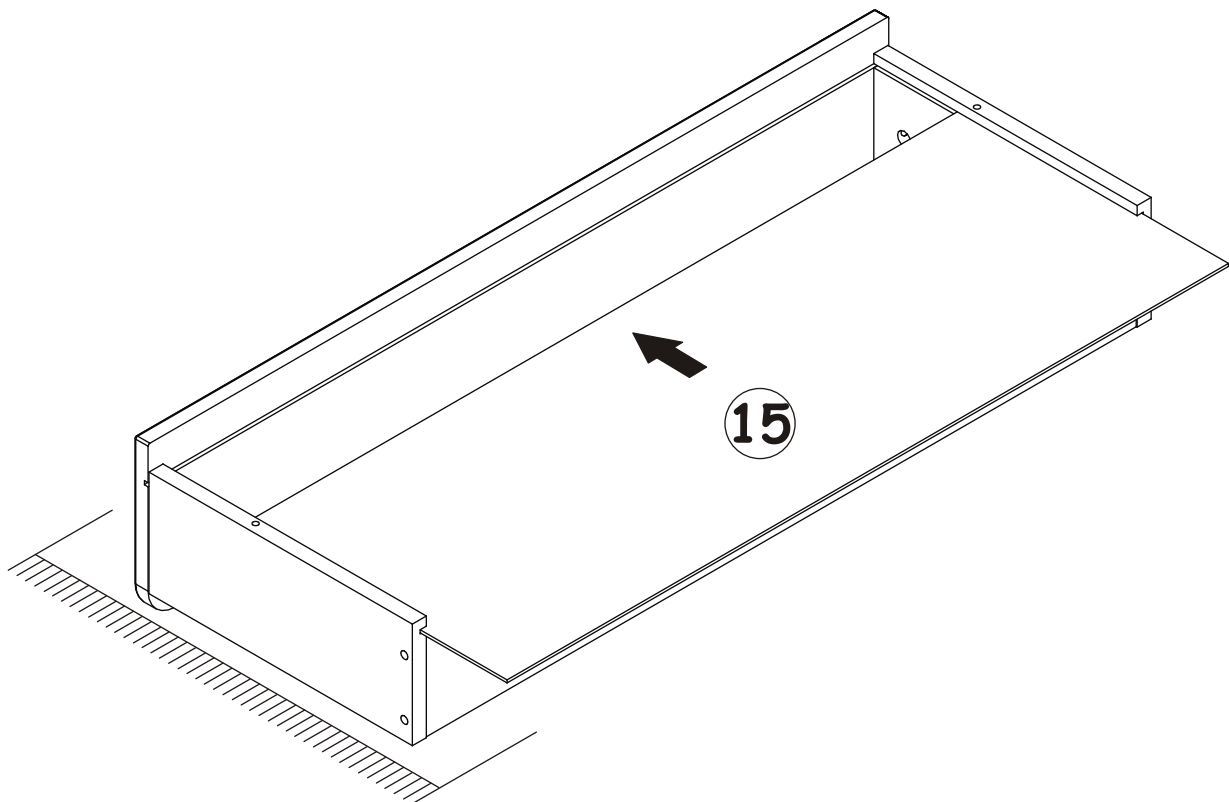




10

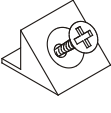



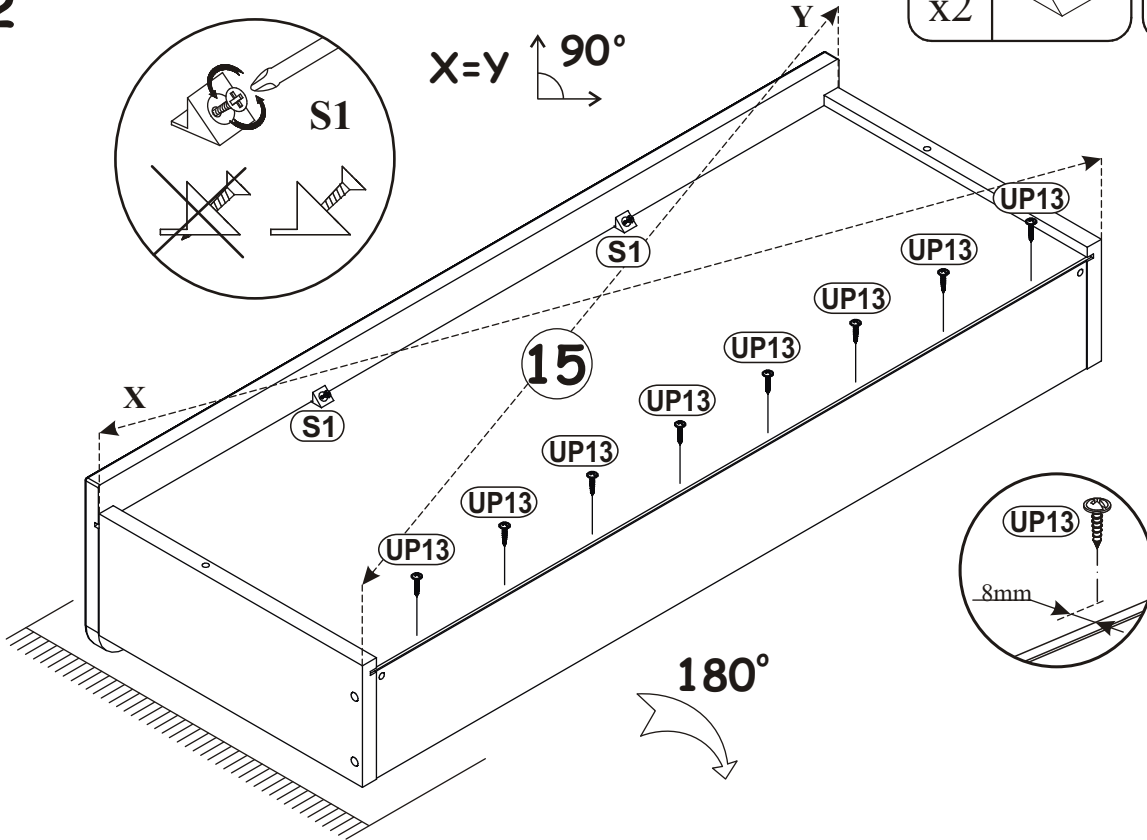
11






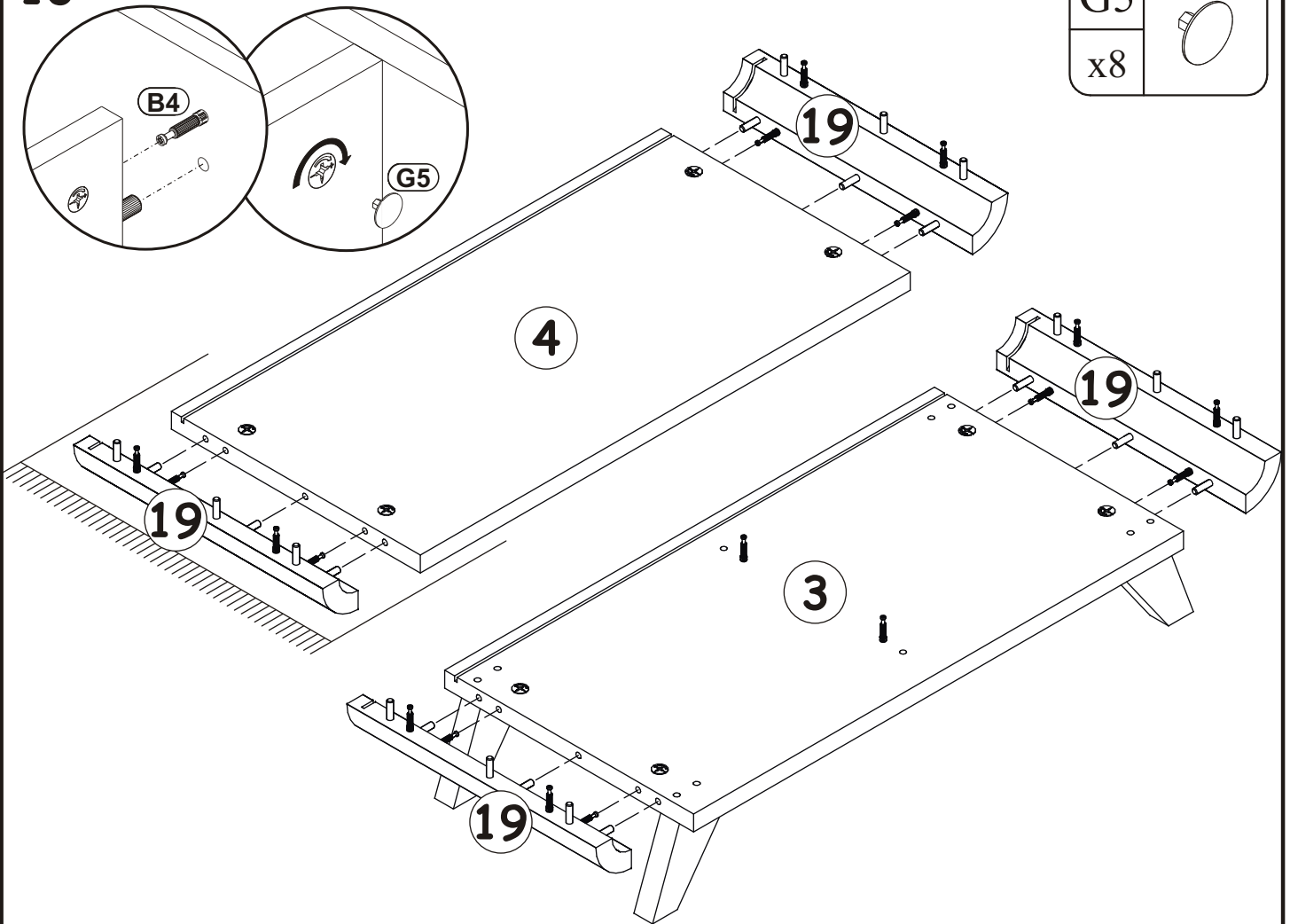
12

S1		UP13	
x2		x8	UPØ3x16




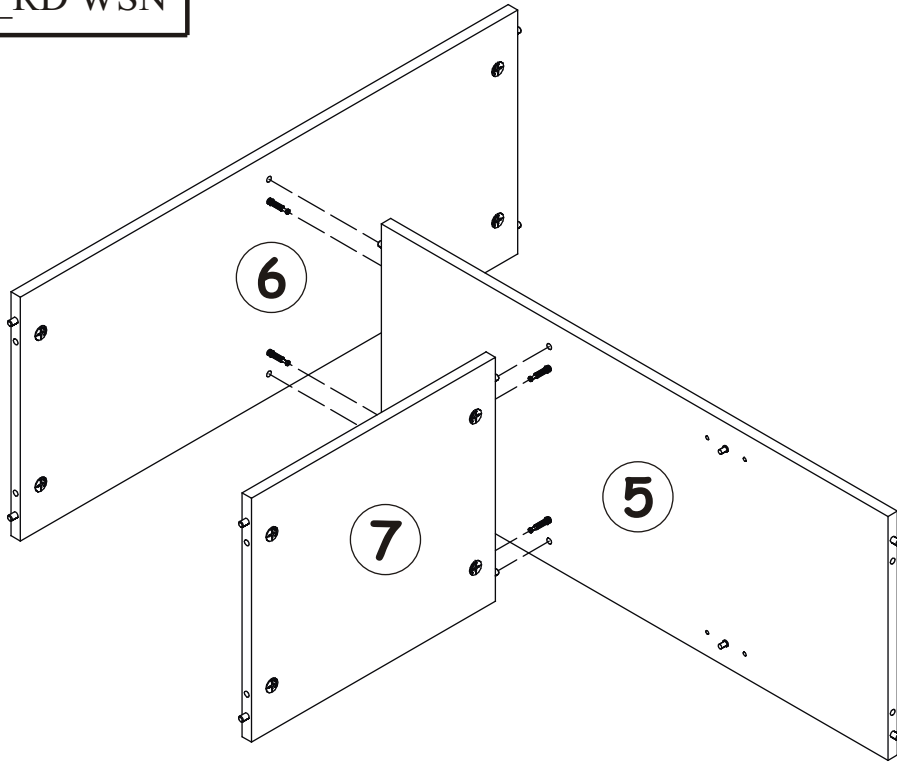
13

G5	
x8	

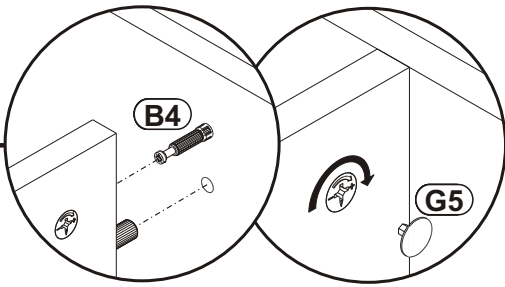



14

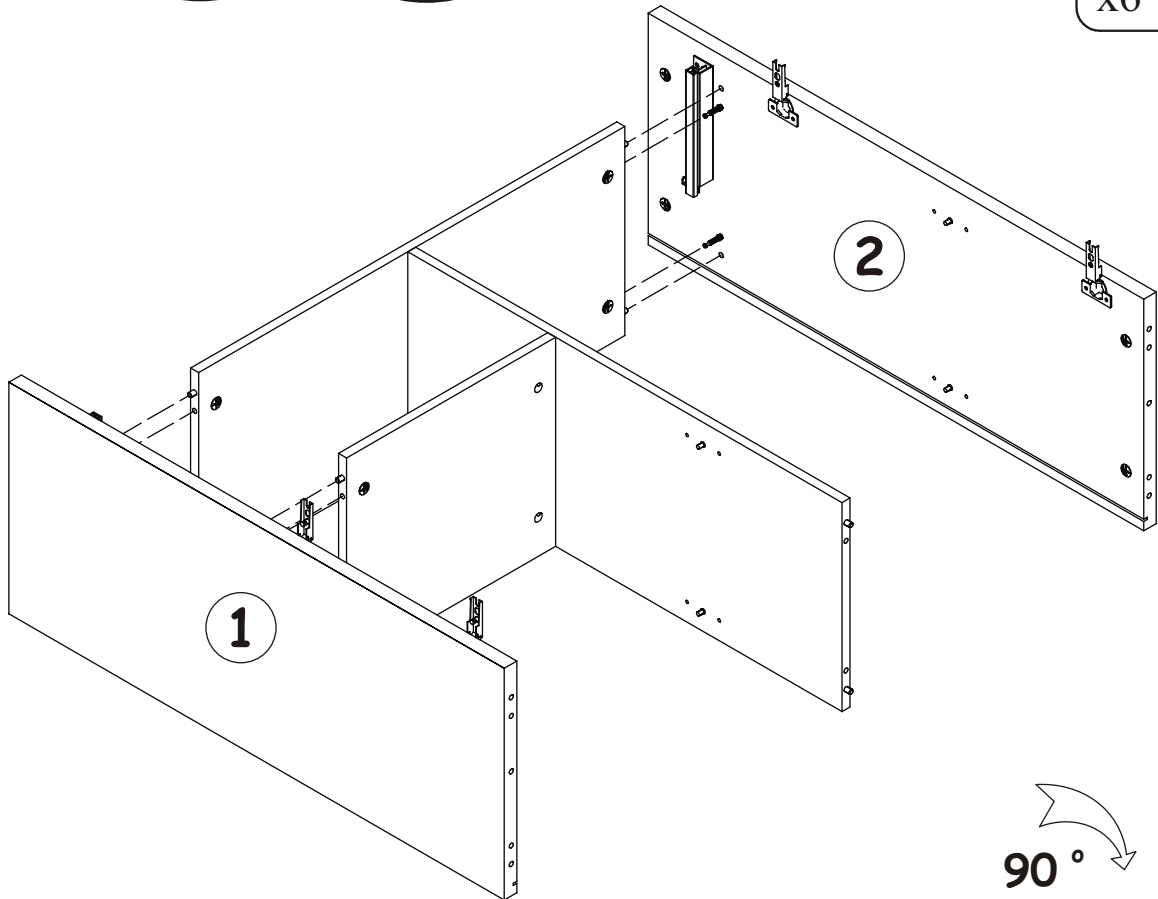
G5	
x4	



15



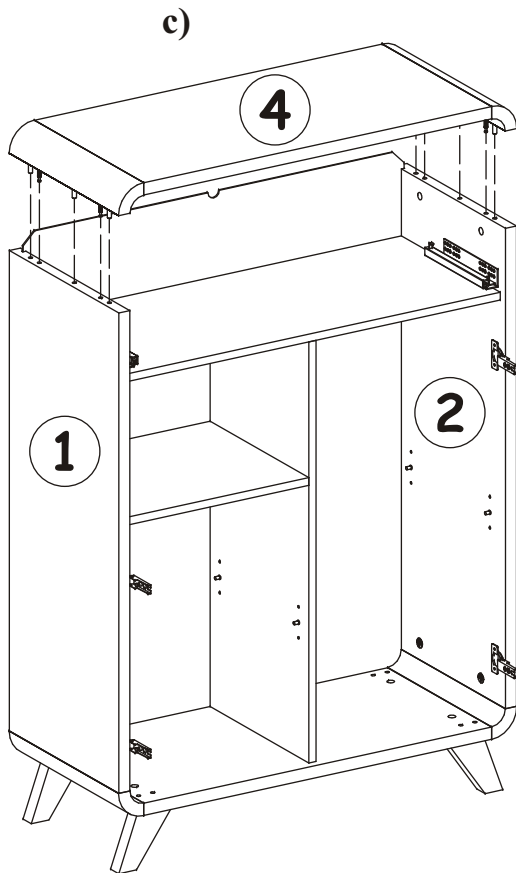
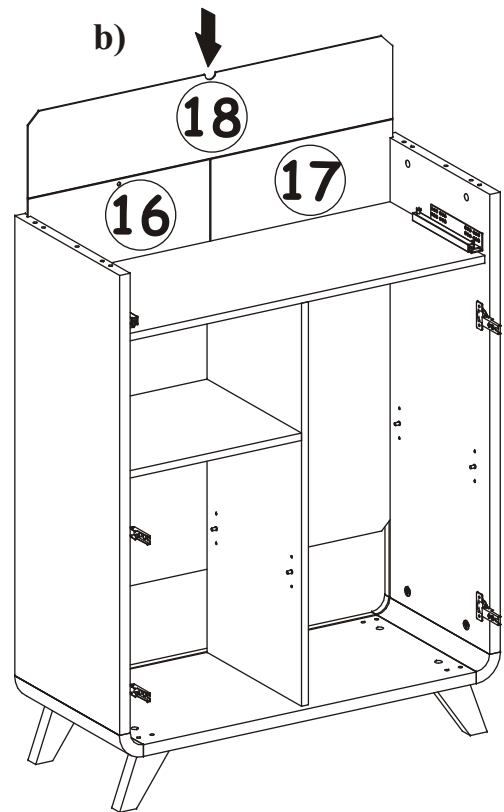
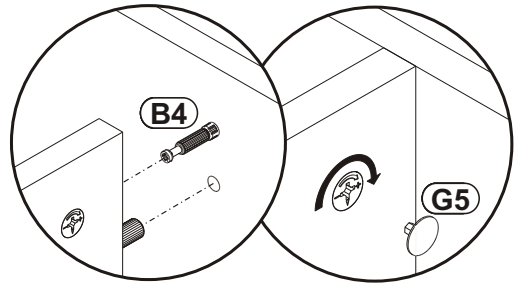
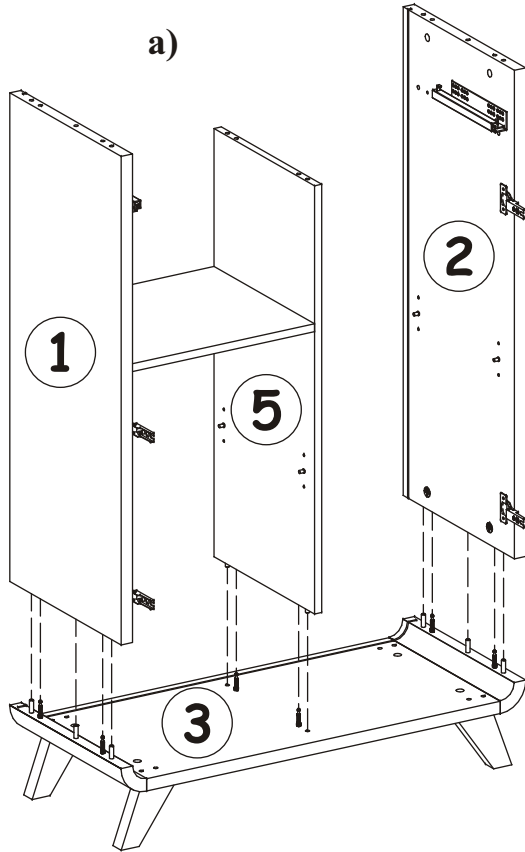
G5	
x6	



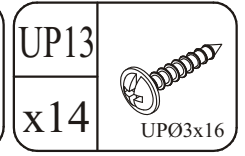
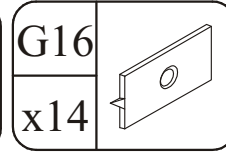
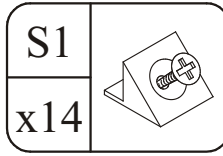
90° 



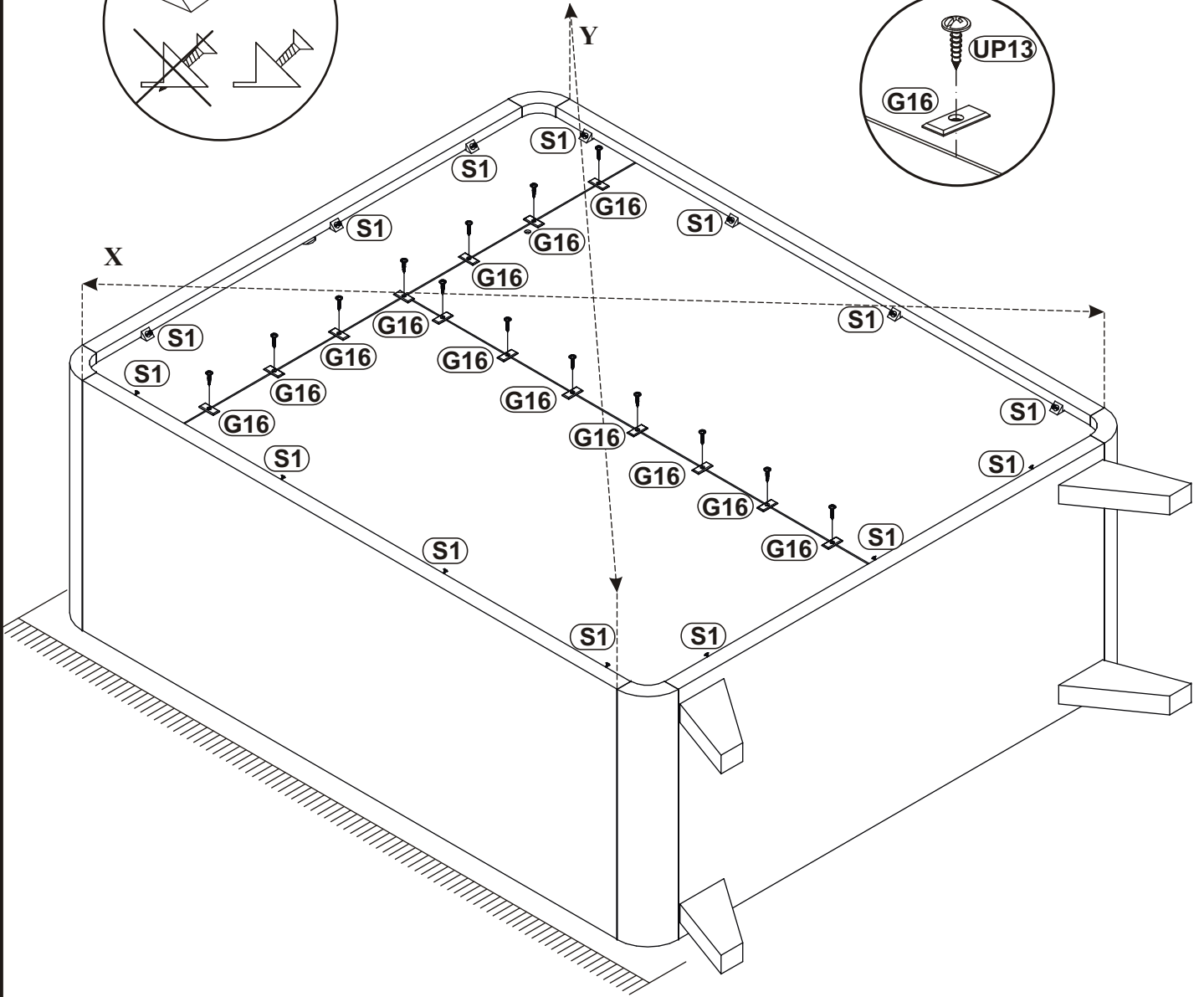
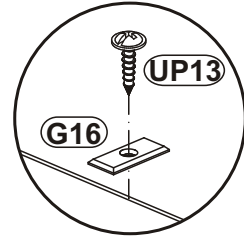
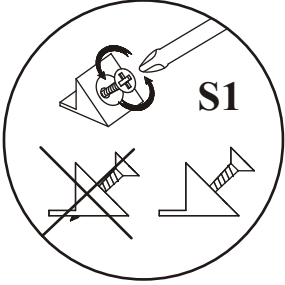
16



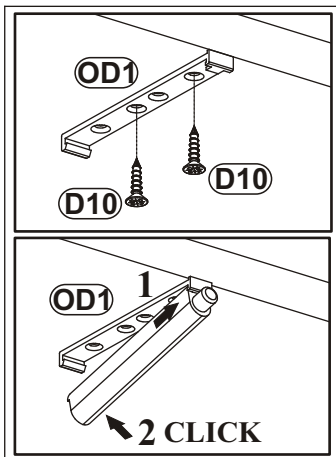
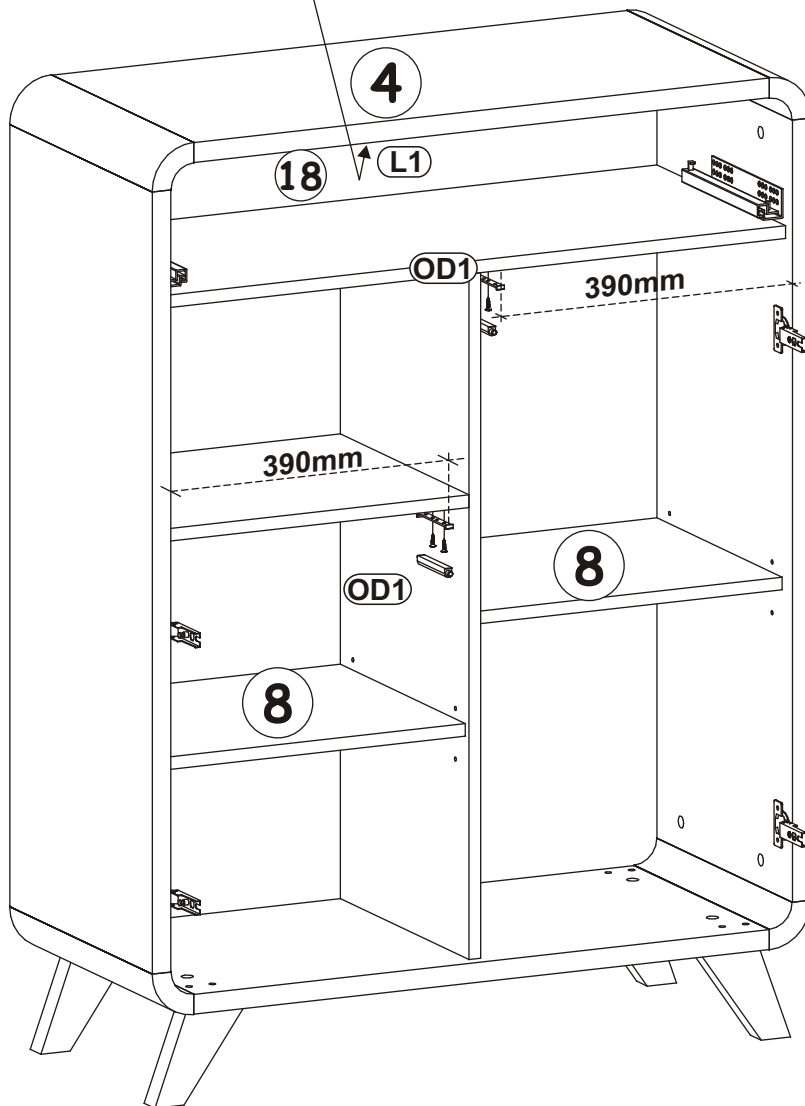
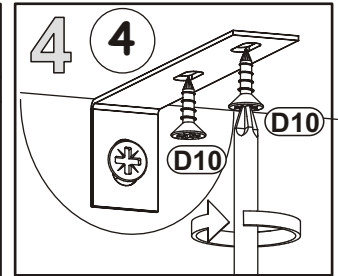
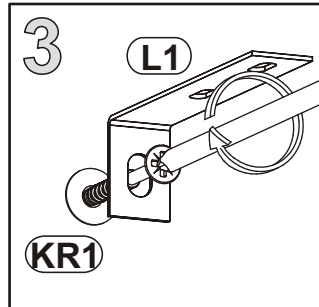
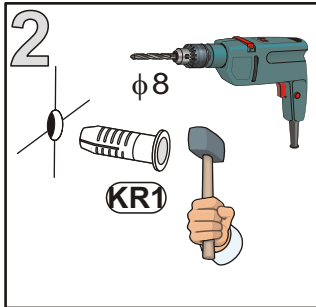
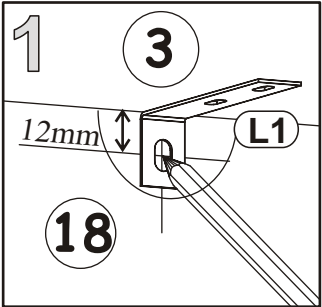
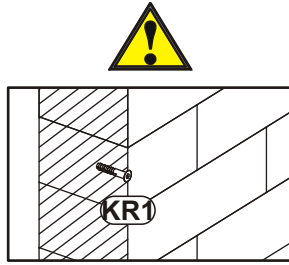
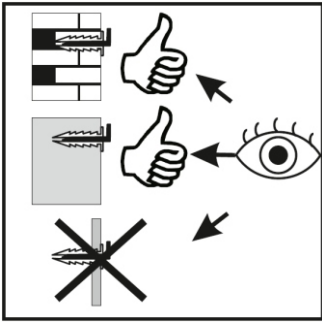
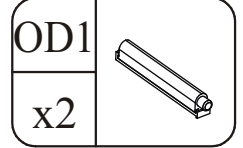
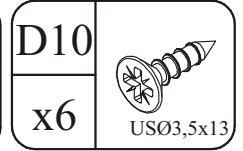
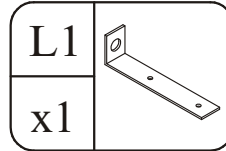
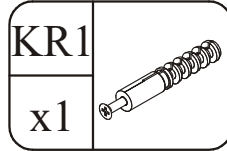
17



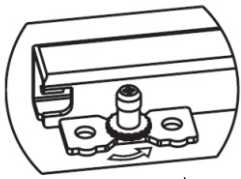
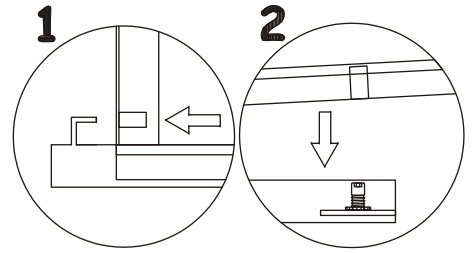
$X=Y$   $\uparrow$   $90^\circ$



18



19



↑+4 mm

