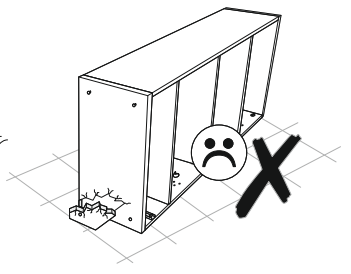
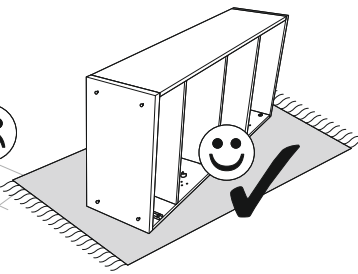
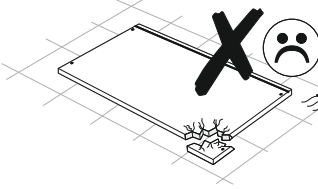
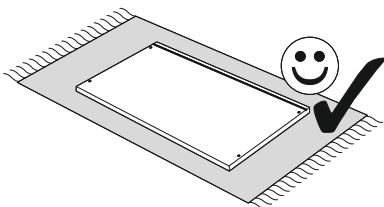
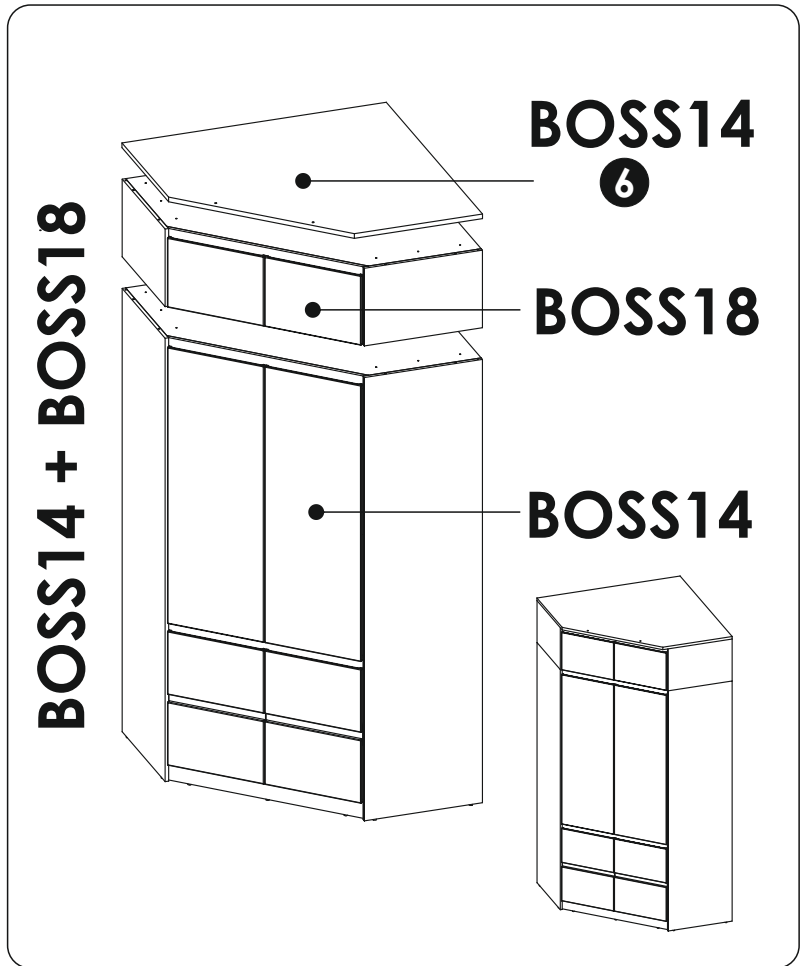
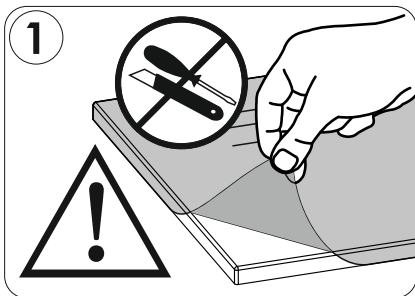
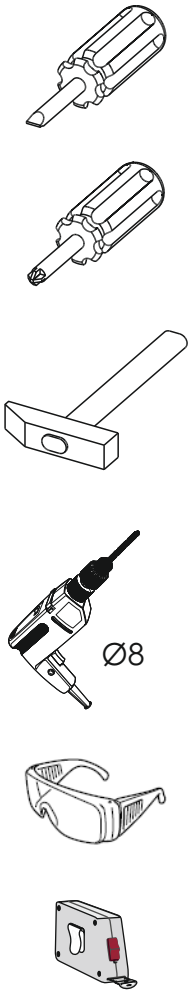
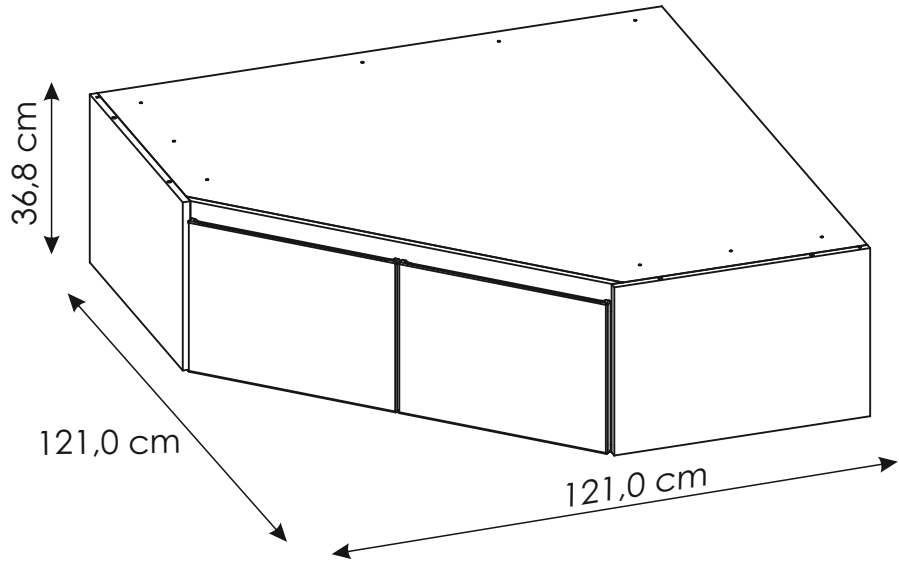
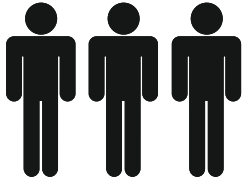
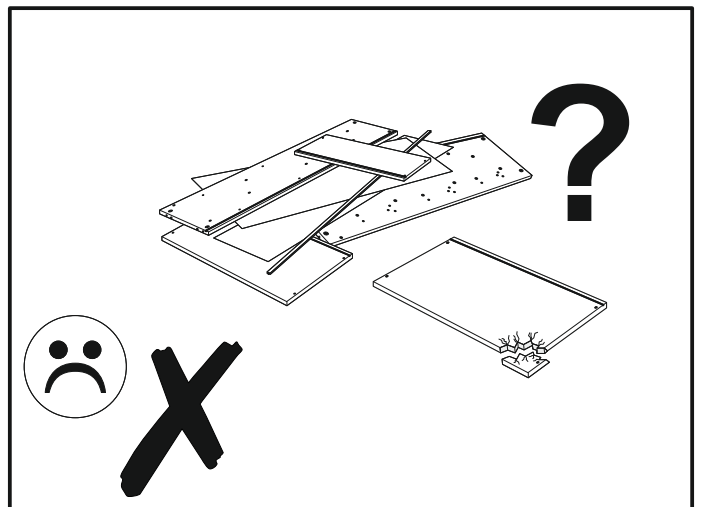
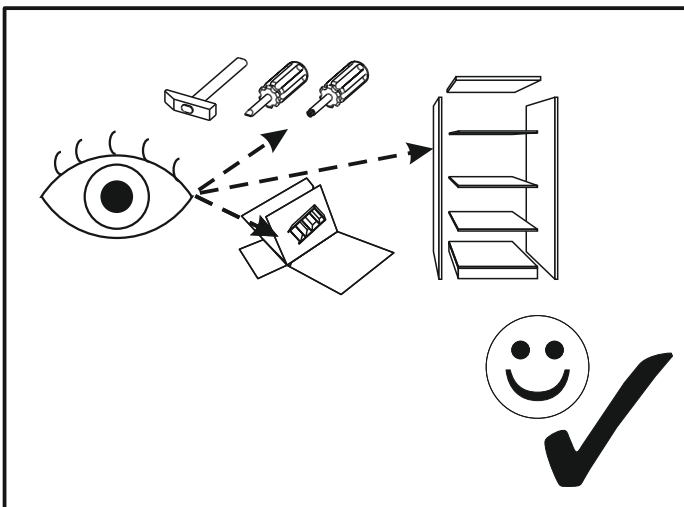
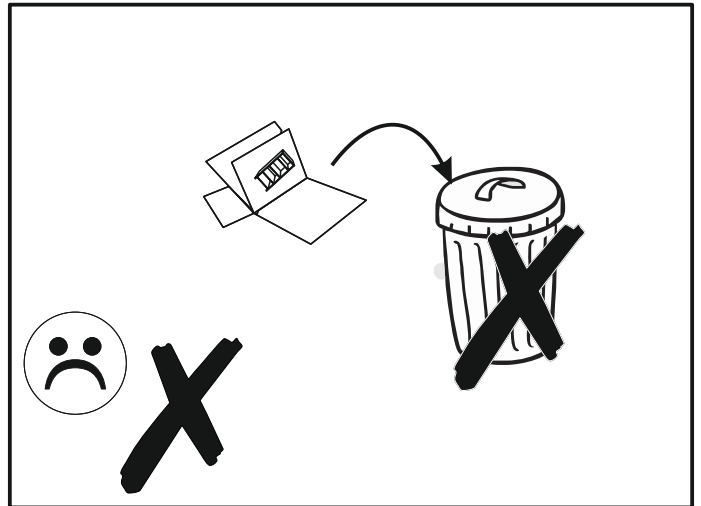
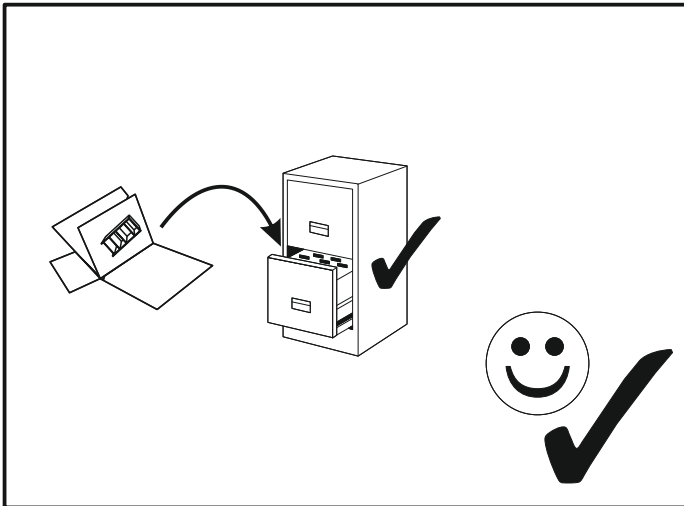
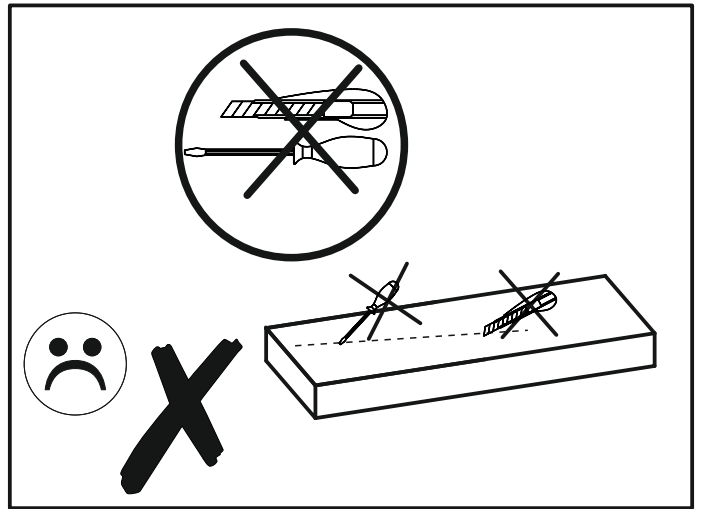
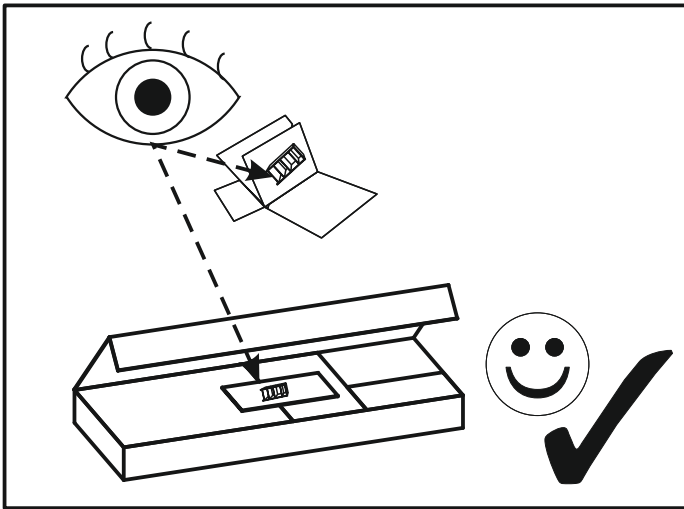
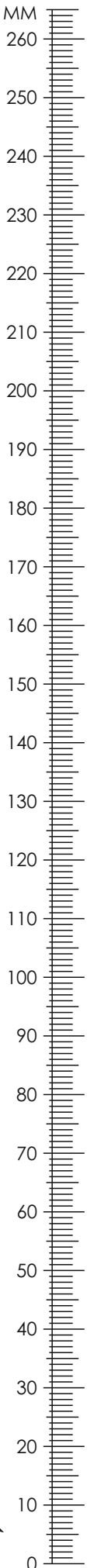


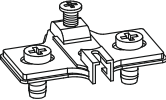
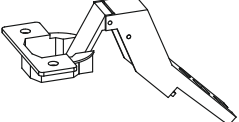

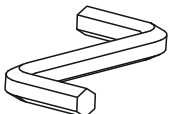

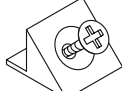

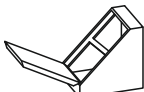
BOSS18

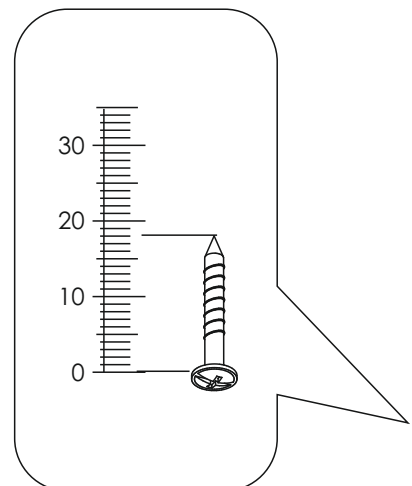




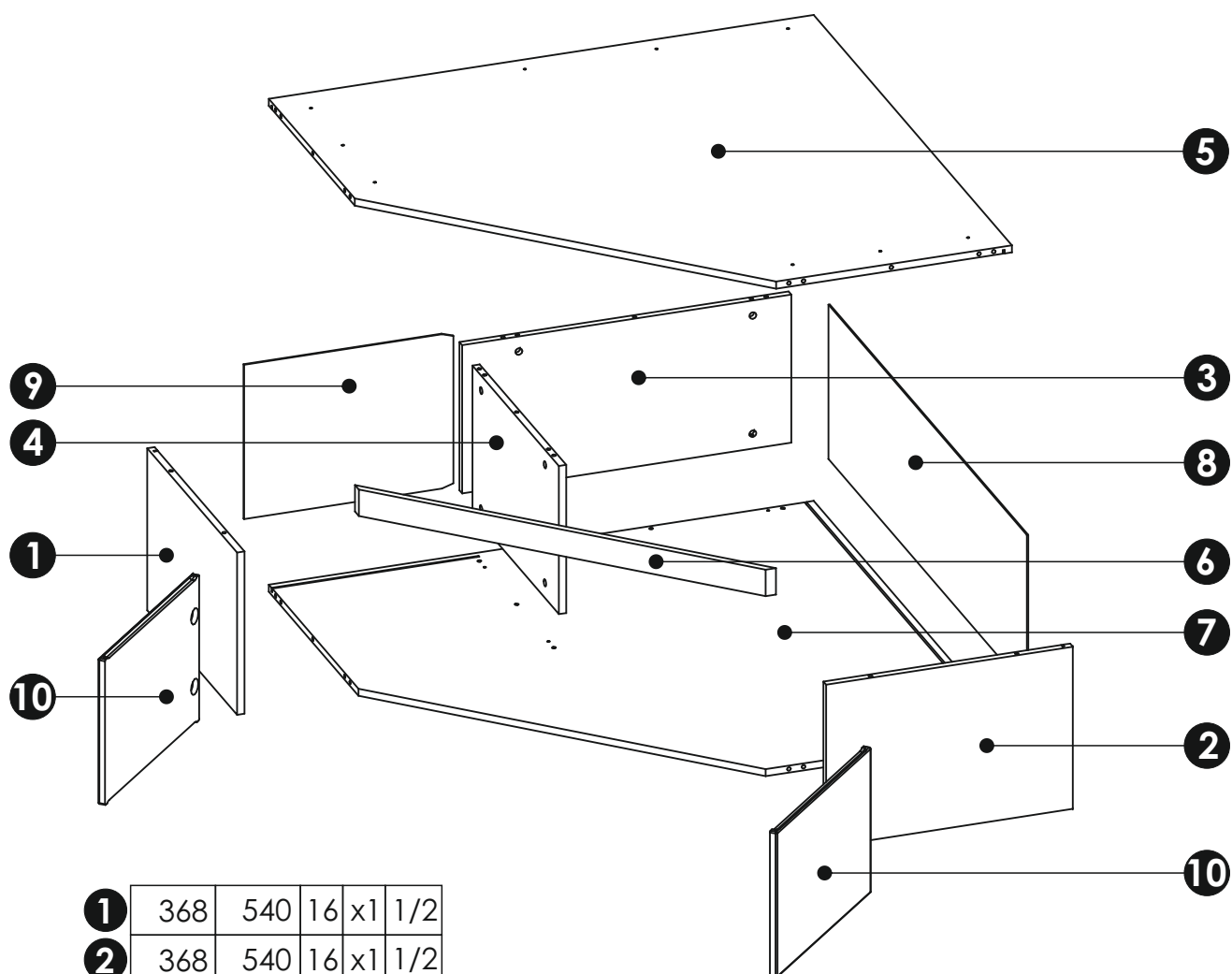
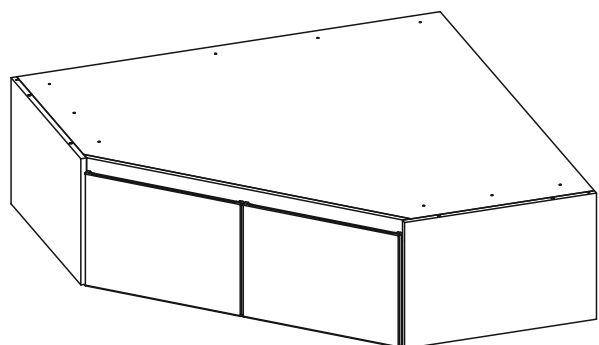
BOSS18



A1	8 x 35 mm	x24	A2	8 x 45 mm	x4	B0		x4
B5		x4	C1	4 x 13 mm	x8	E0		x12
E1	15 x 12 mm	x16	F1	6 x 34 mm	x16	J2	4 x 25 mm	x9
M		x1	N1	3 X 16 mm	x5	N2	3,5 X 16 mm	x8
P16		x9	R4		x10	R8		x4
W		x4						

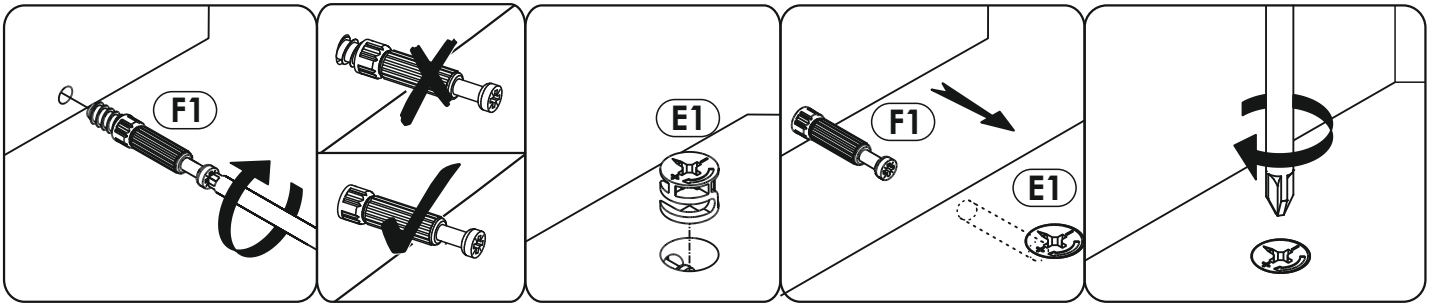


BOSS18

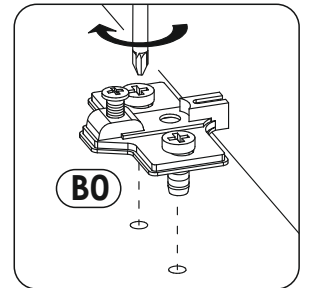
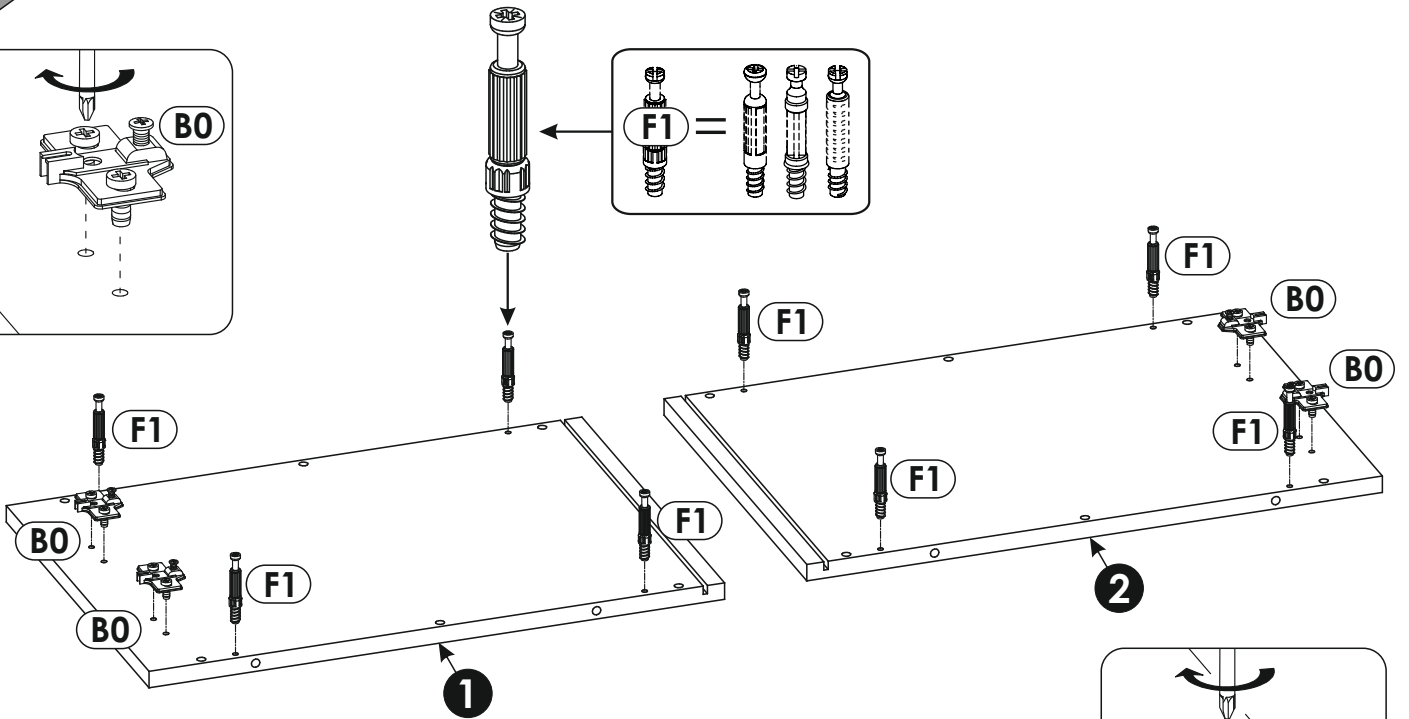
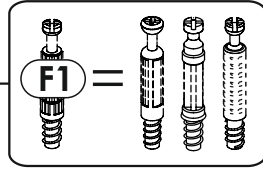
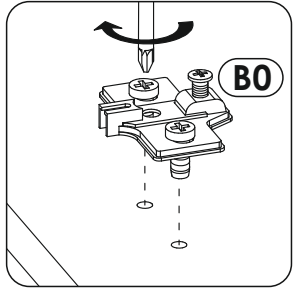


1	368	540	16	x1	1/2
2	368	540	16	x1	1/2
3	336	720	16	x1	1/2
4	336	520	16	x1	1/2
5	1192	1192	16	x1	2/2
6	955	60	16	x1	2/2
7	1192	1192	16	x1	2/2
8	350	1193	3	x1	2/2
9	350	458	3	x1	1/2

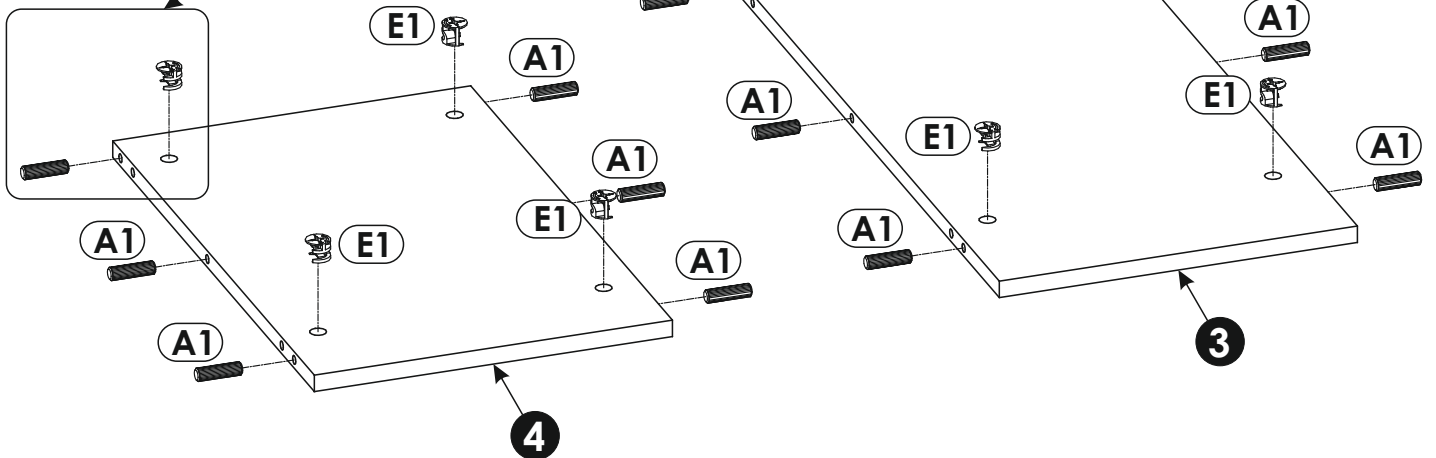
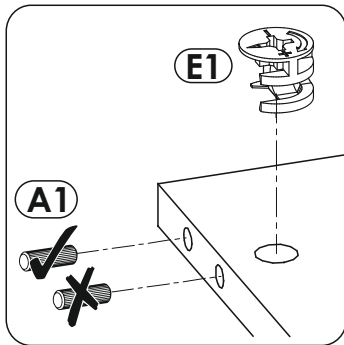
BOSX08	10	458	330	16	x2	1/1
--------	-----------	-----	-----	----	----	-----



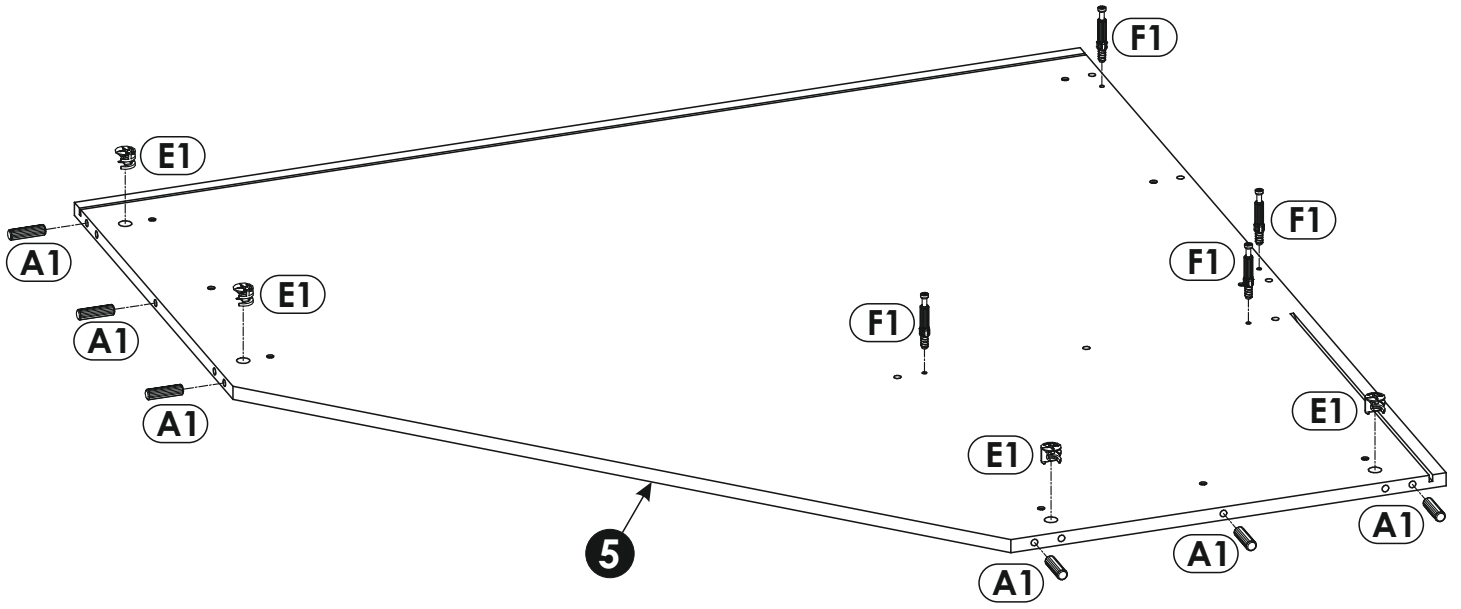
1 ▶



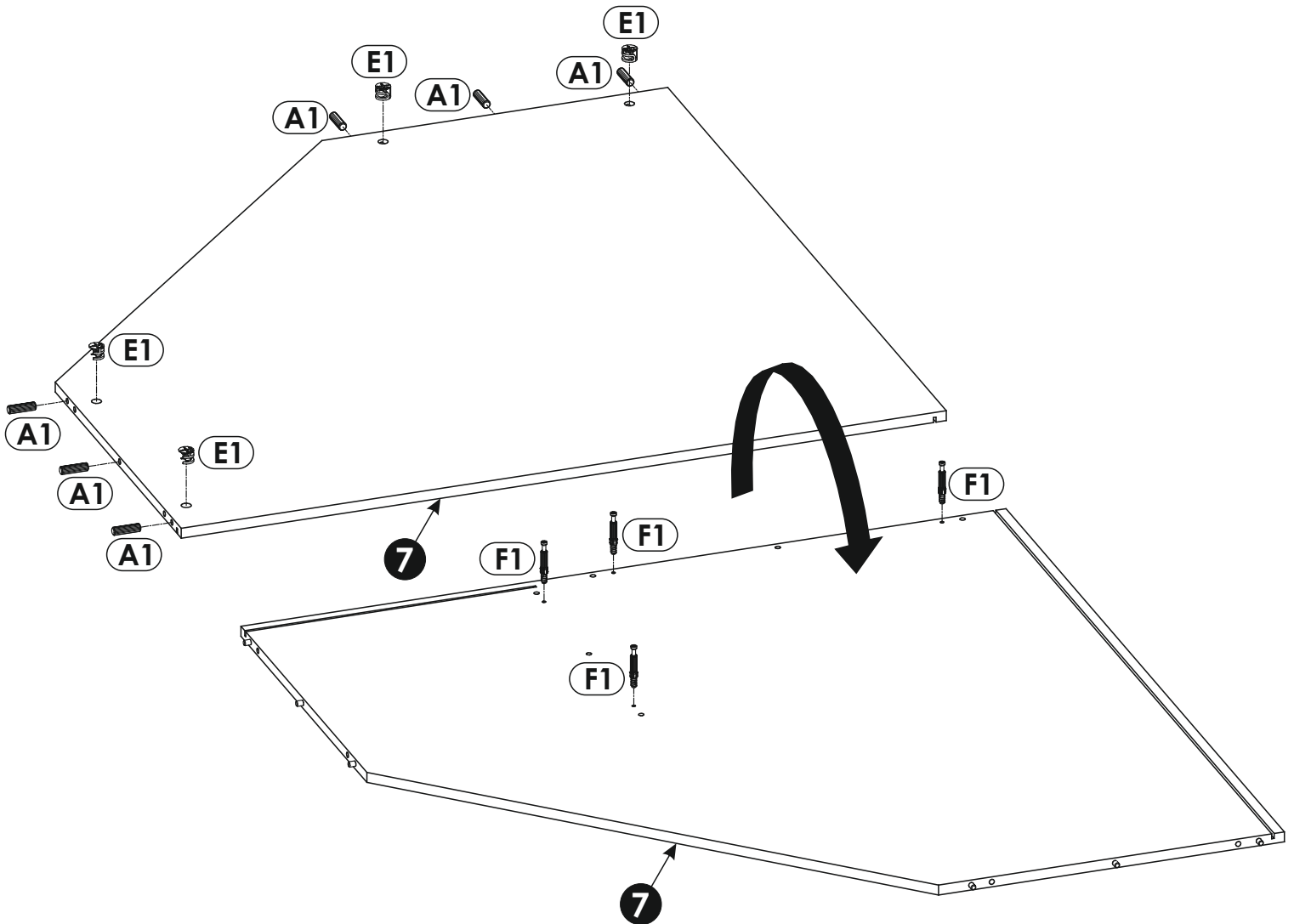
2 ▶



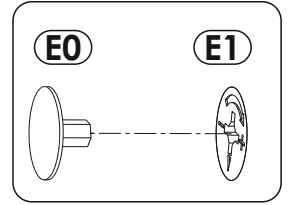
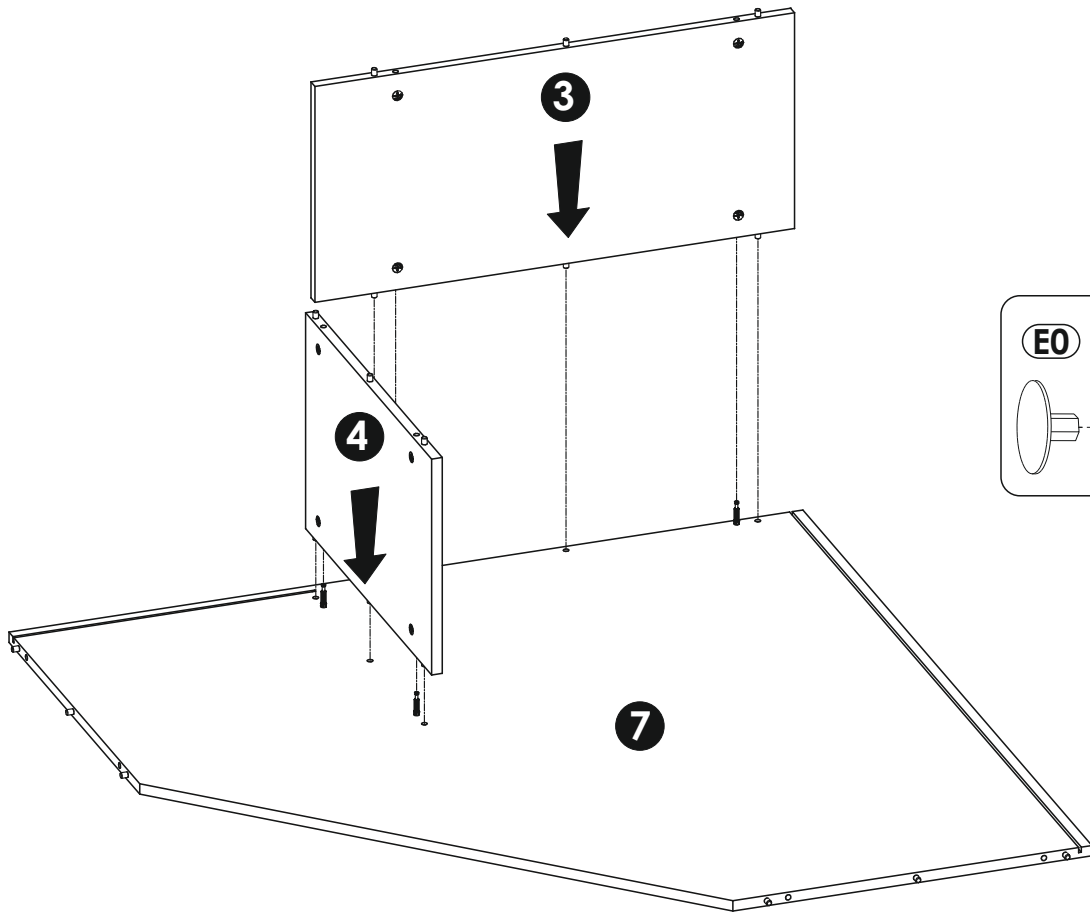
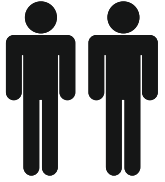
3 ▶



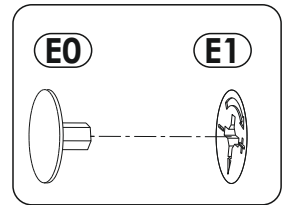
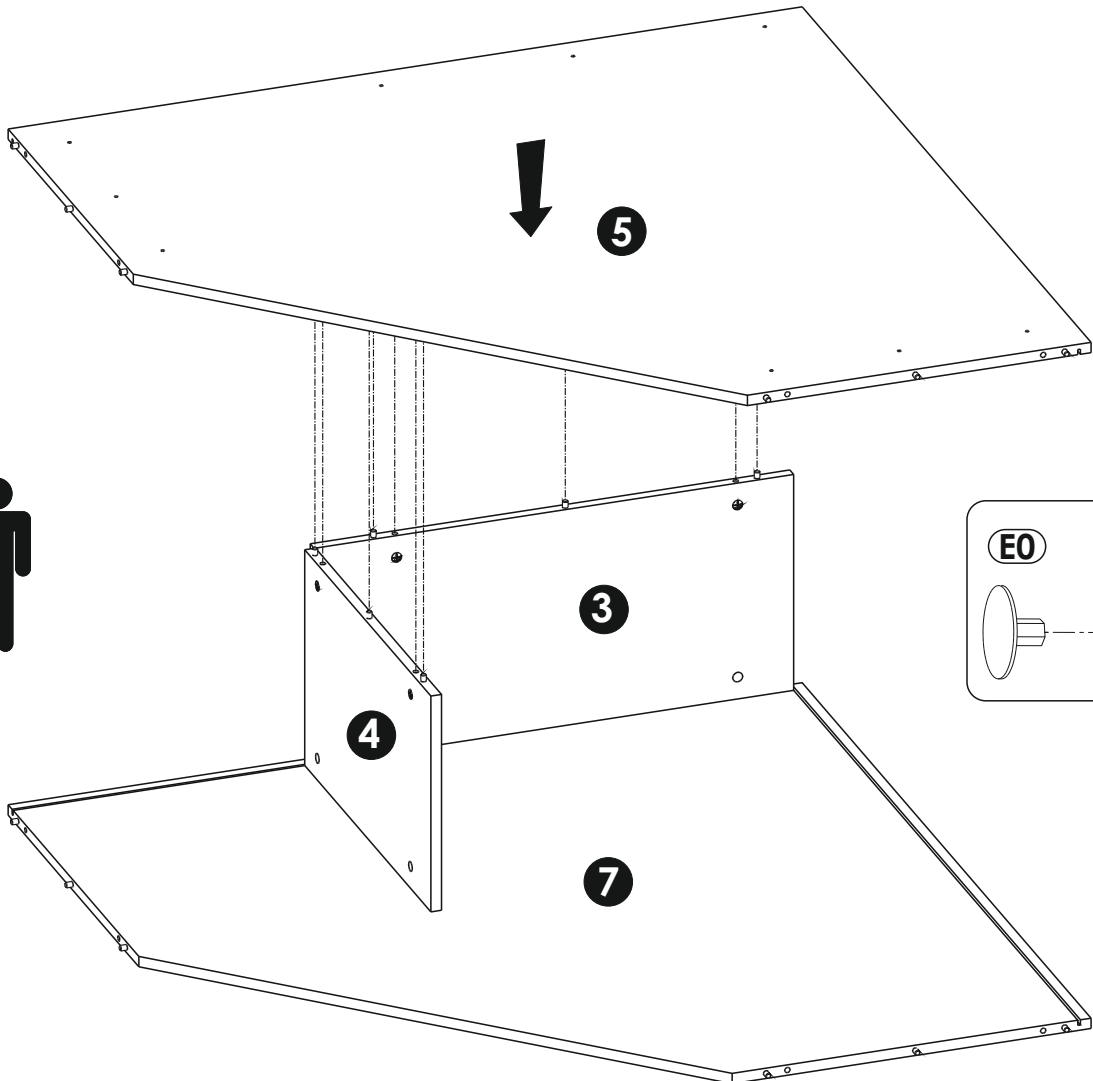
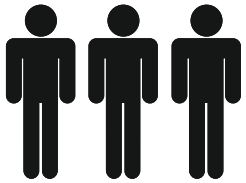
4 ▶



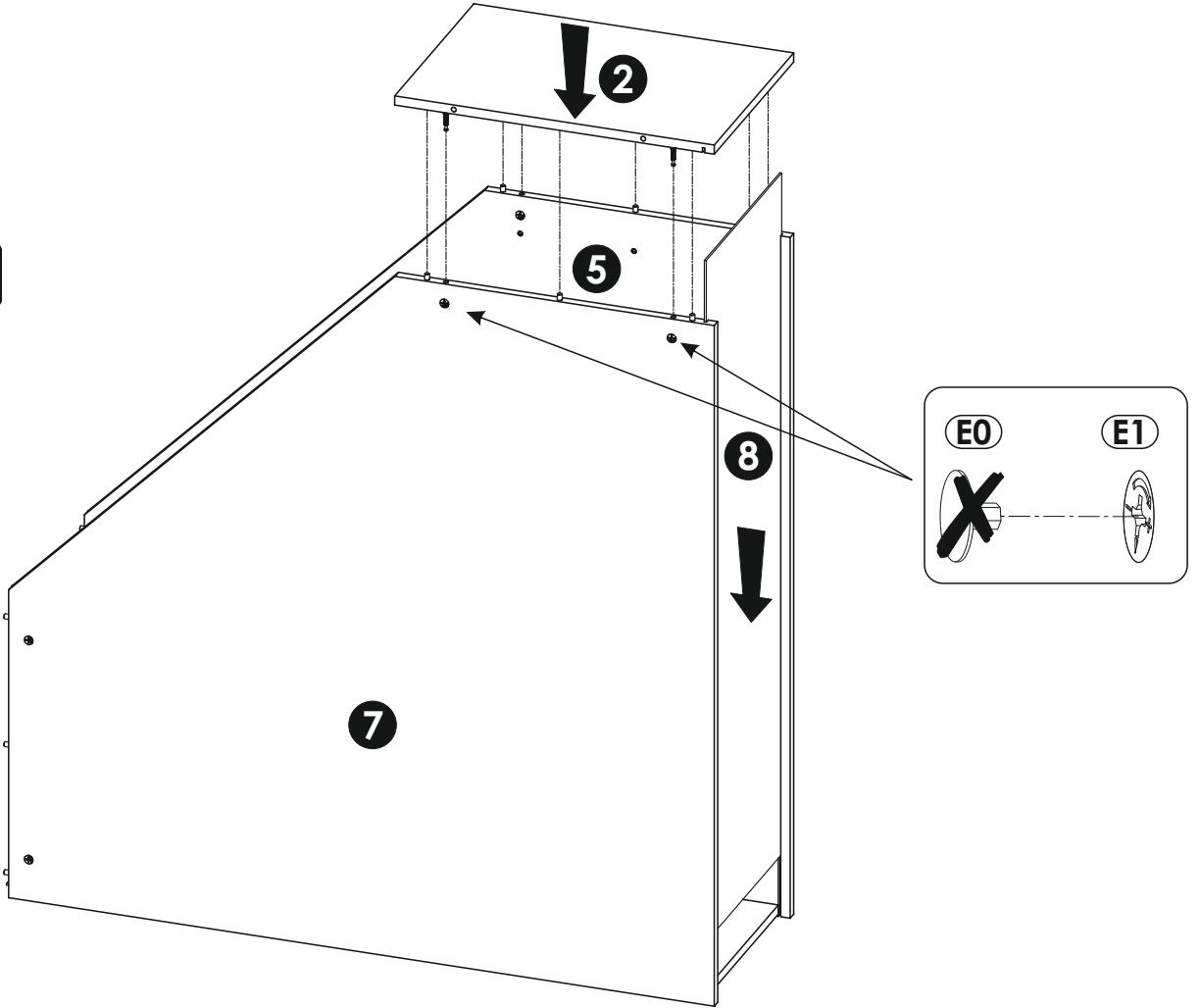
5 ▶



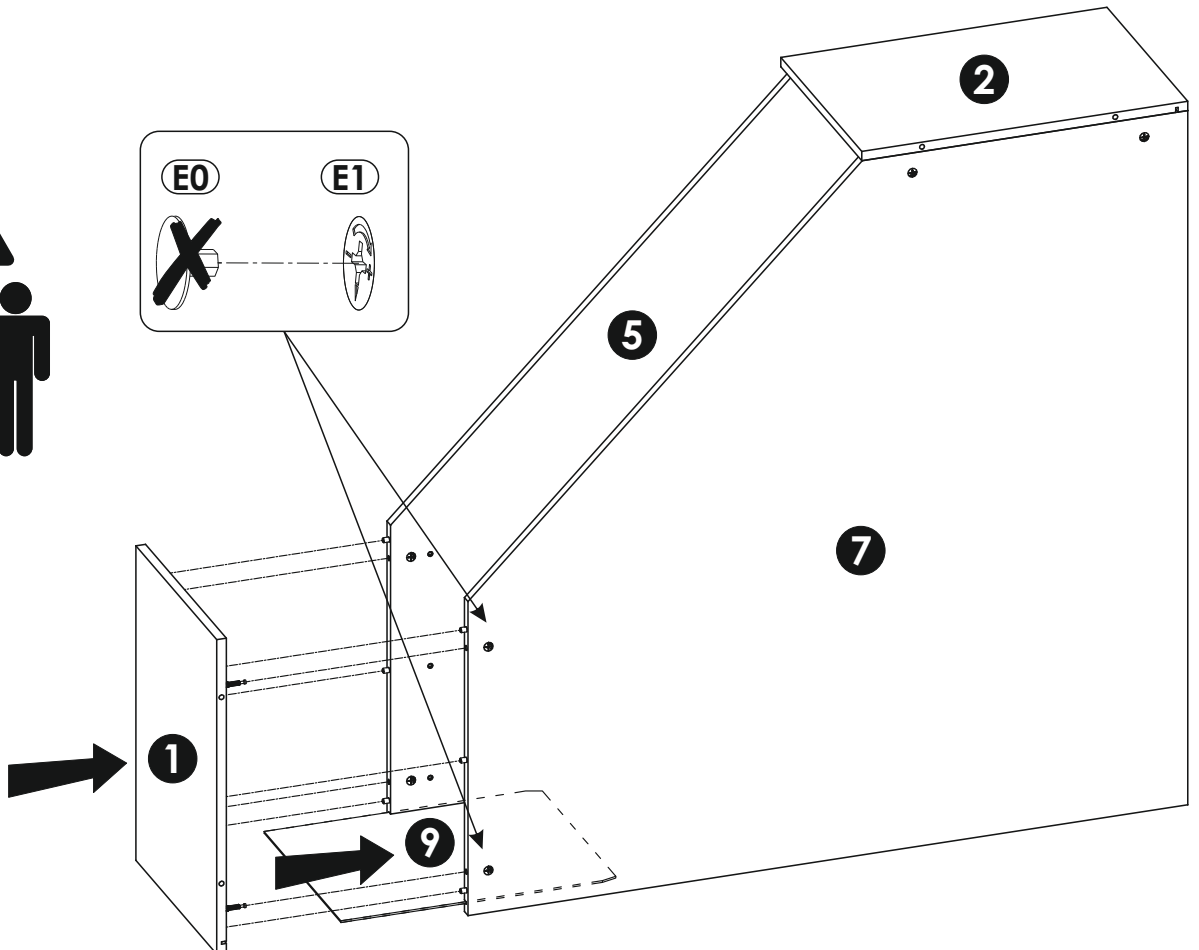
6 ▶



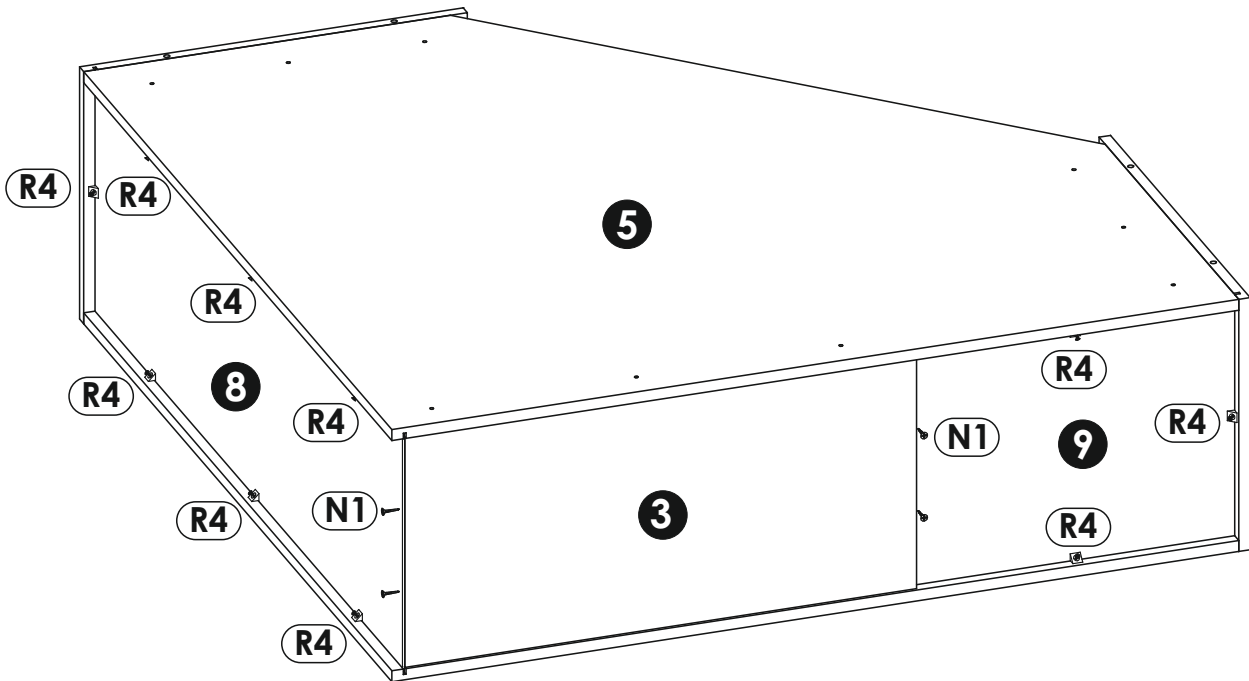
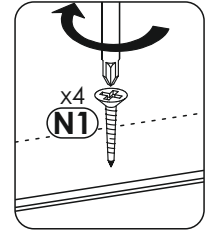
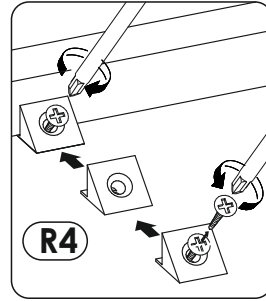
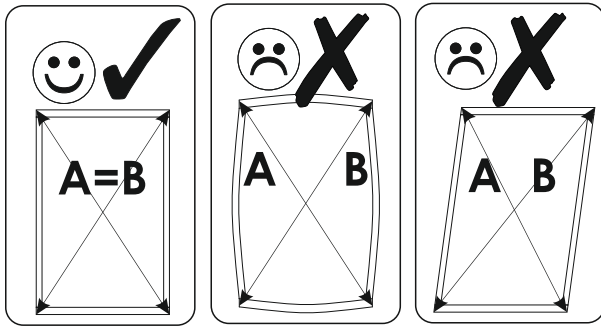
7 ▶



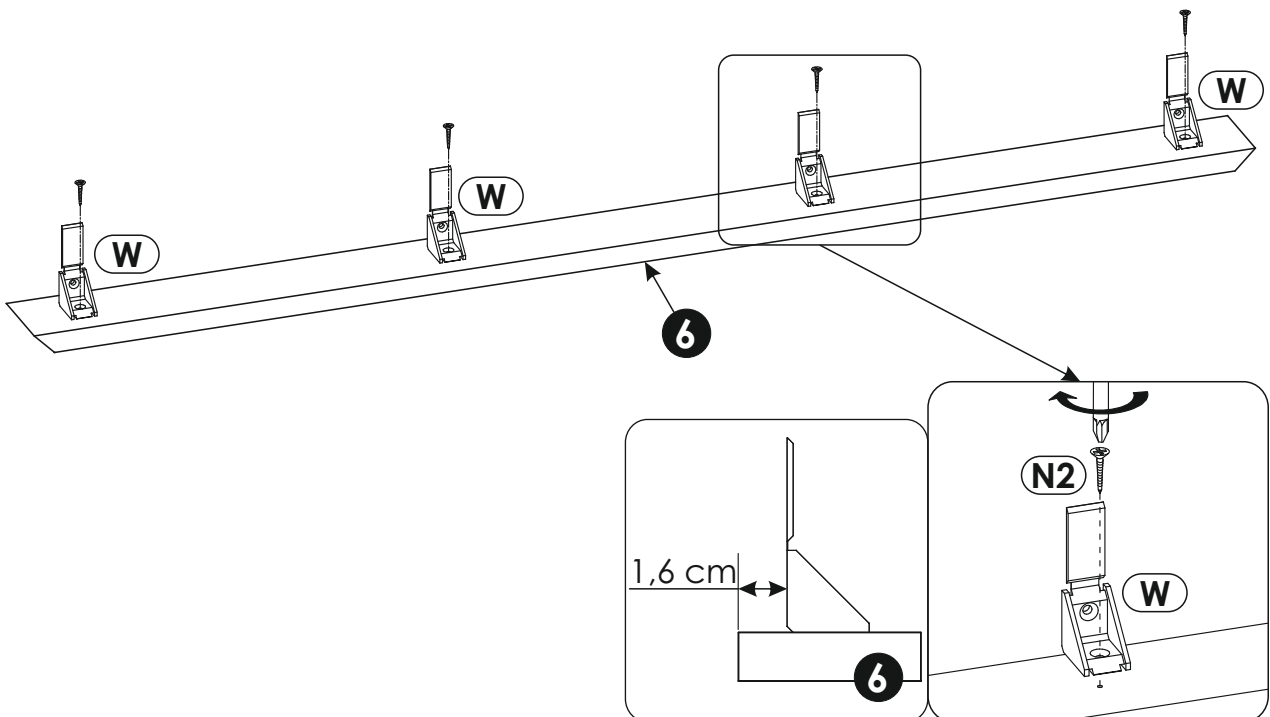
8 ▶



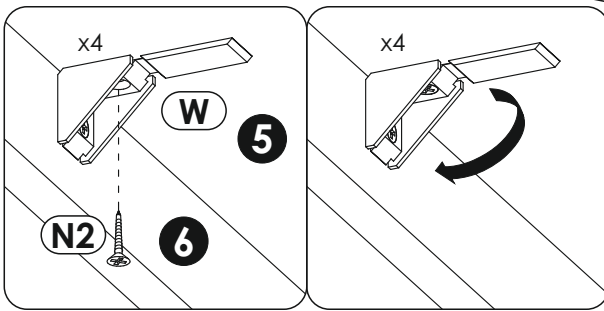
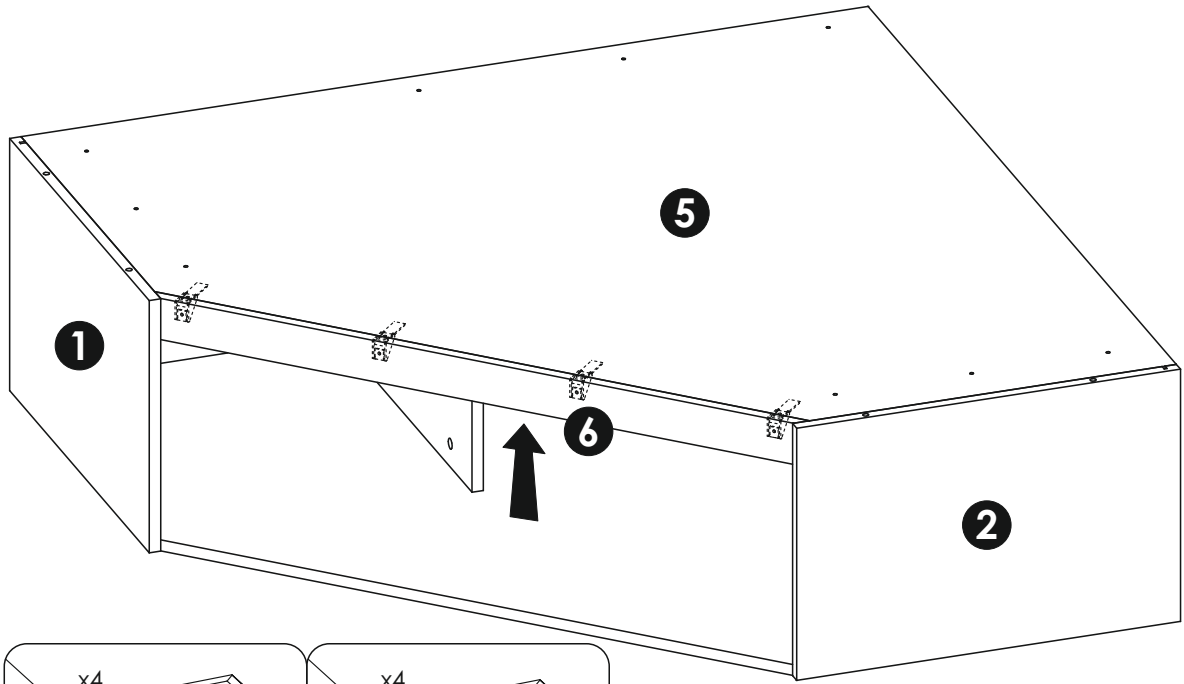
9 ▶



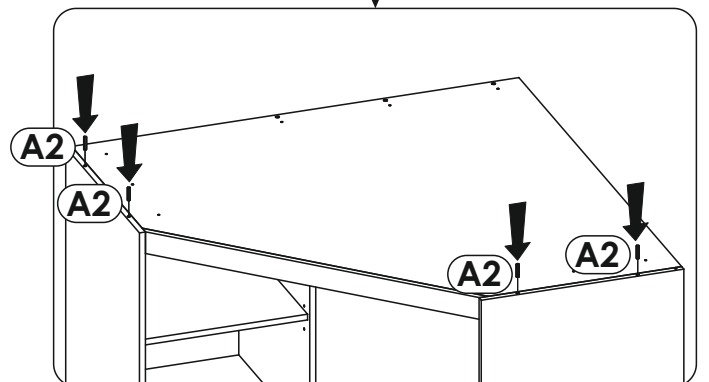
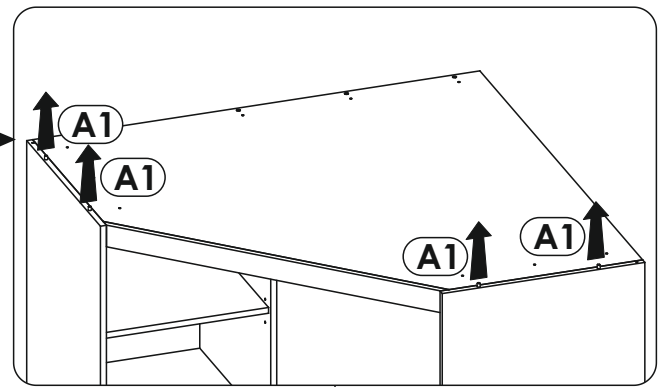
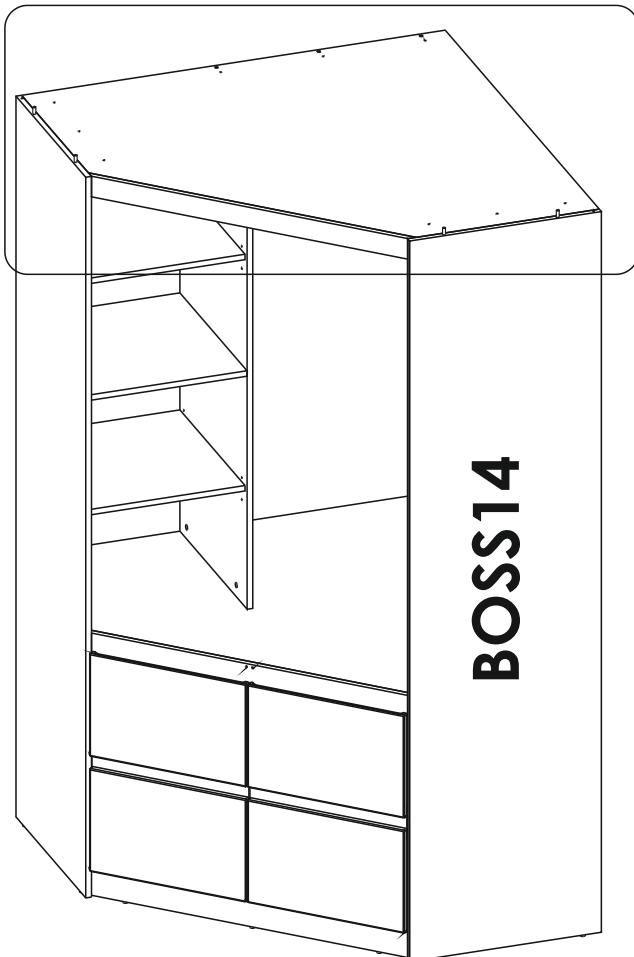
10 ▶



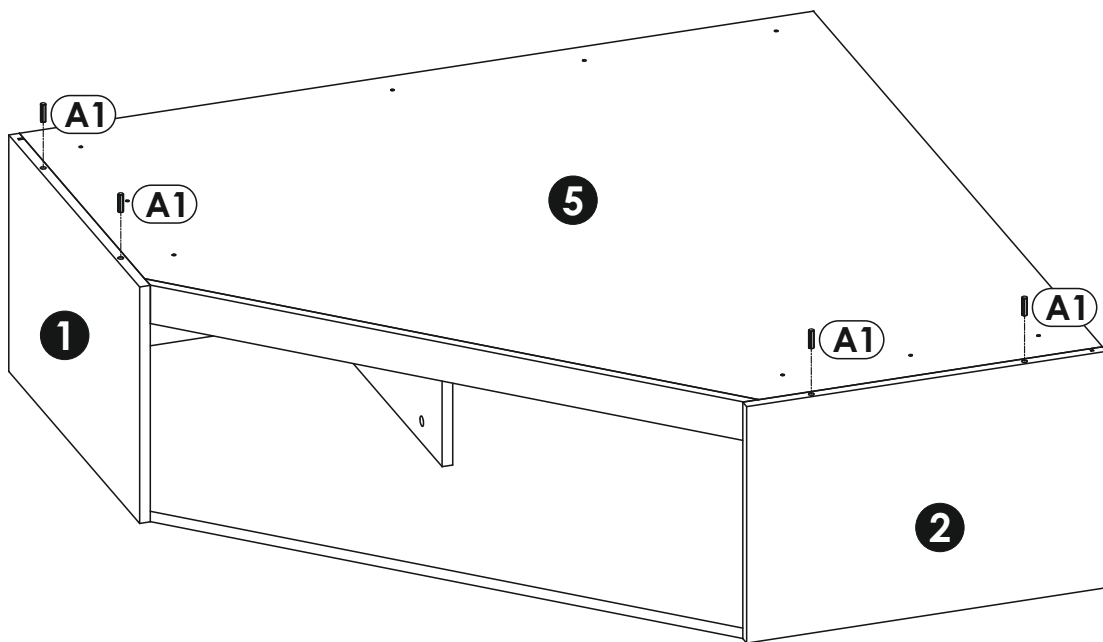
11 ▶



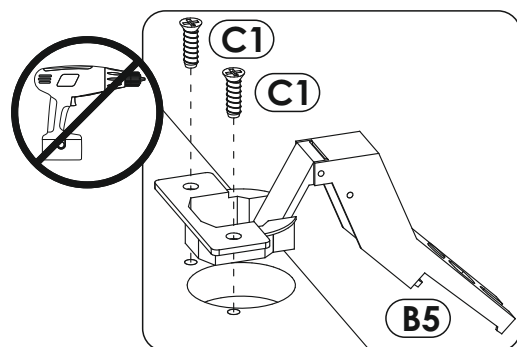
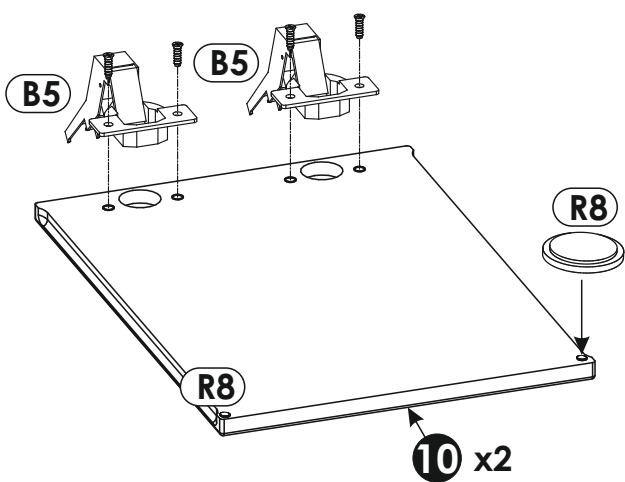
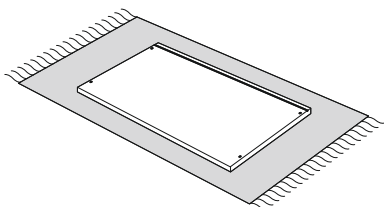
12 ▶



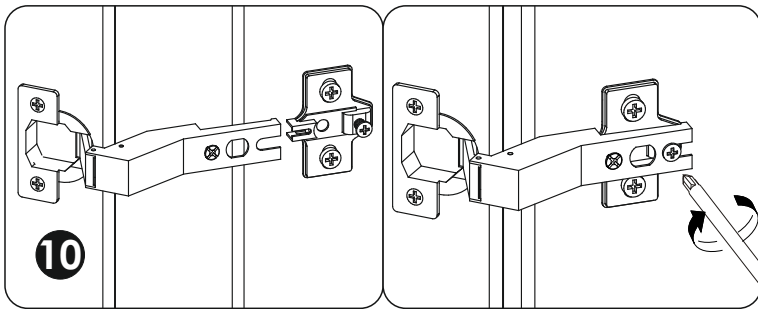
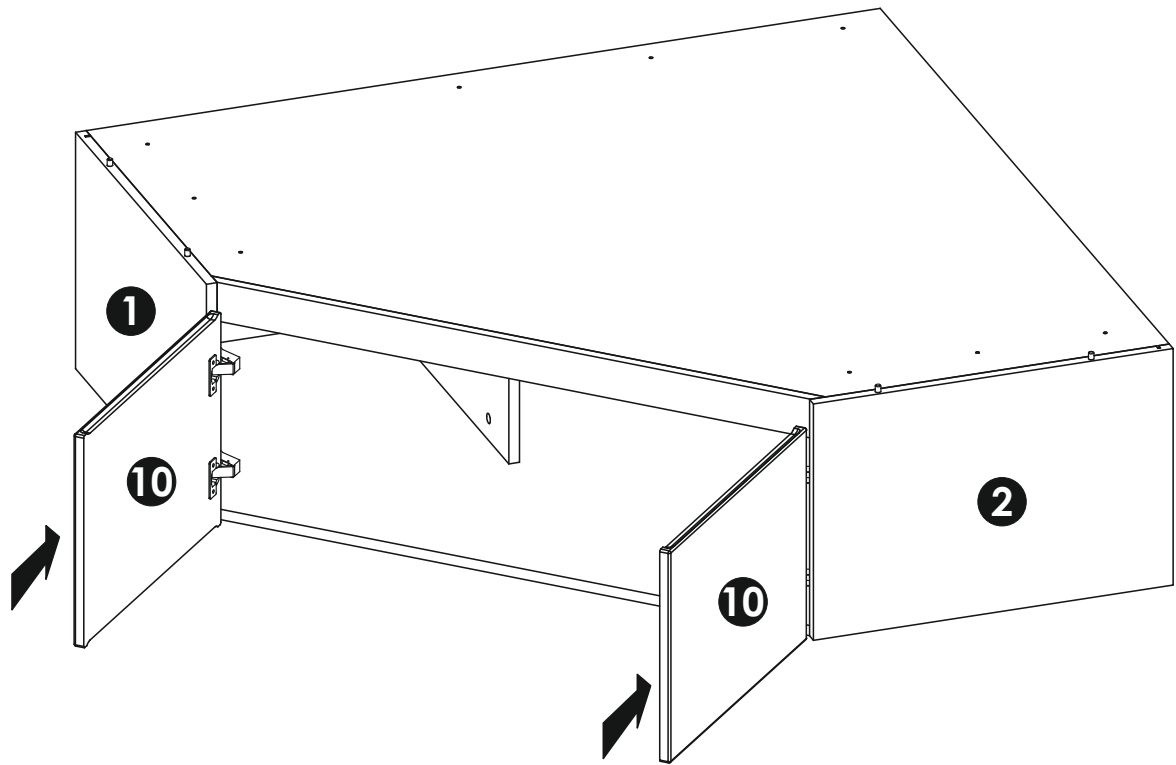
13▶



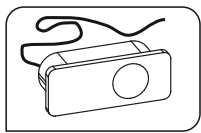
14▶



15▶



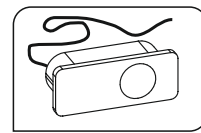
16▶



x2



17▶



x2



18▶

