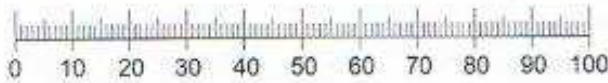
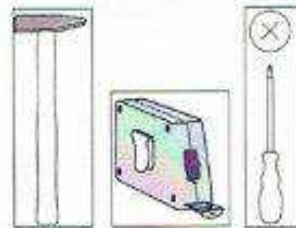
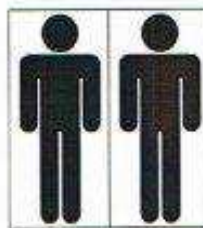
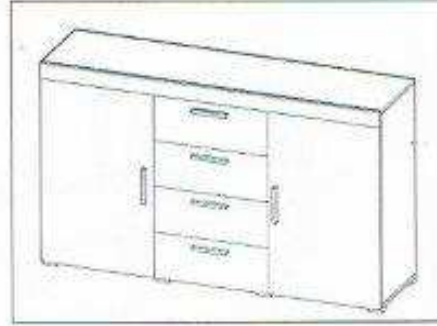
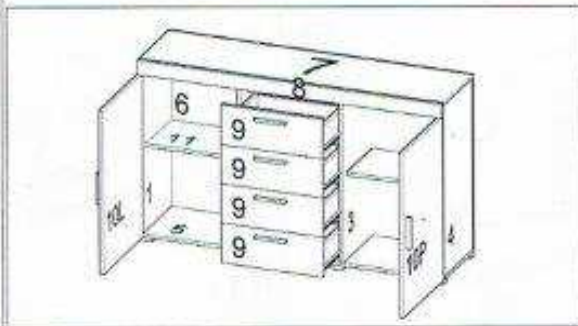


MODELL

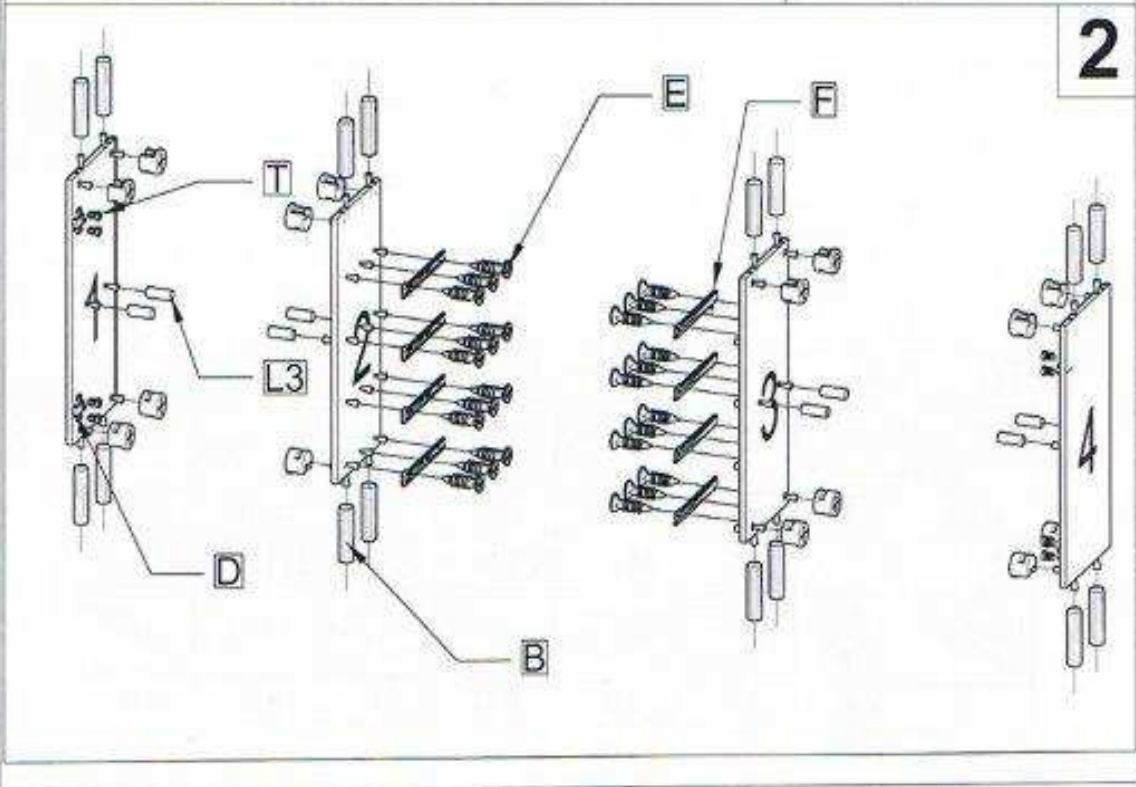
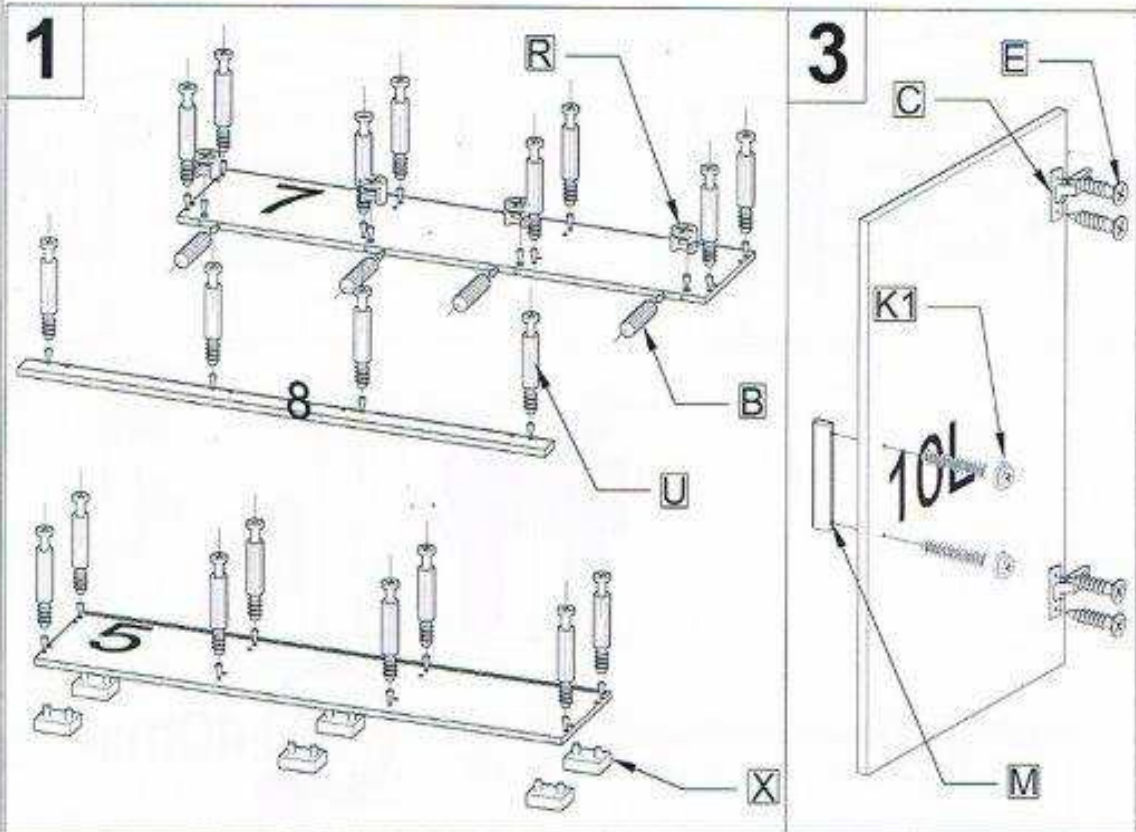
TOM KOMODA

1

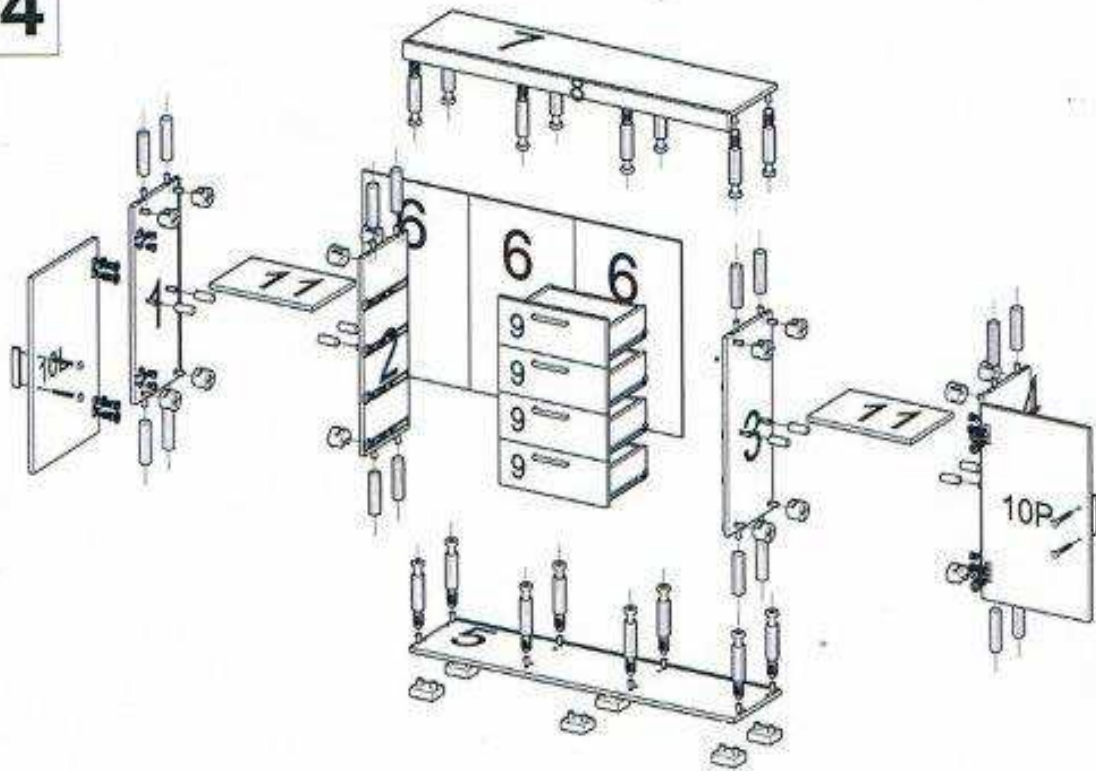


40min

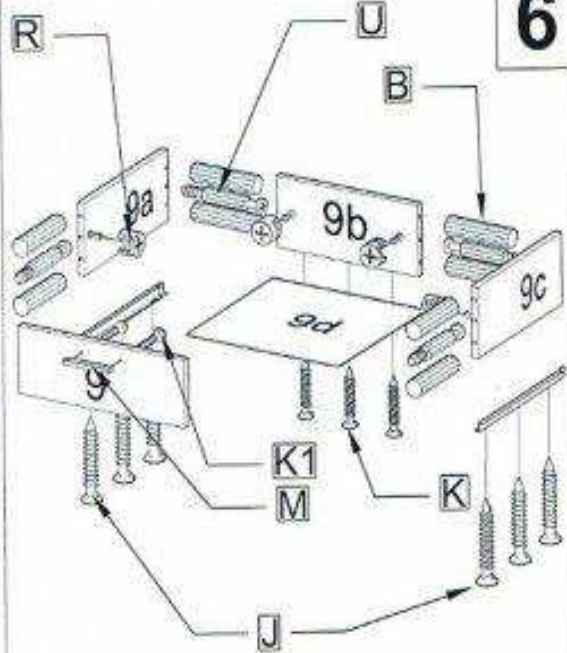
R	U	J	4 X 20	E	4 X 13	B	T	P	K	3 X 20
x 32	x 32	x 24	x 32	x 52	x 8	x 10	x 20			
C	D	L3	M	K1	4 X 27	X	L1	F	350°	
x 4	x 4	x 8	x 6	x 12	x 6	x 8	x 4			



4

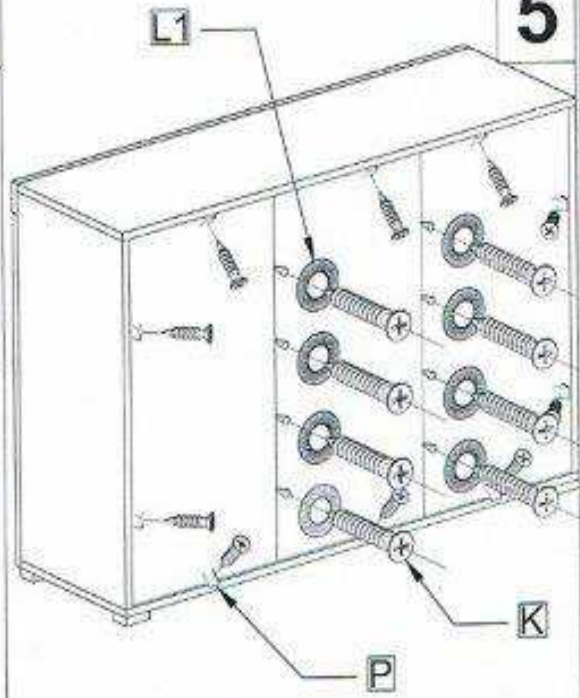


R



6

L1



5