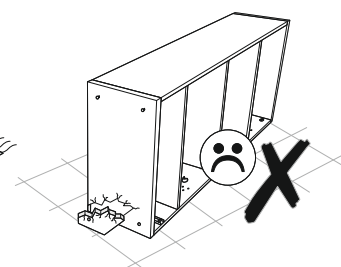
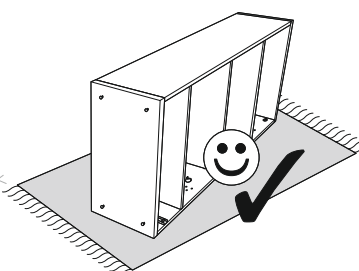
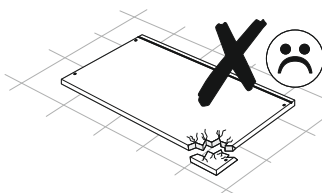
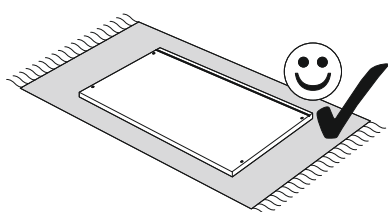
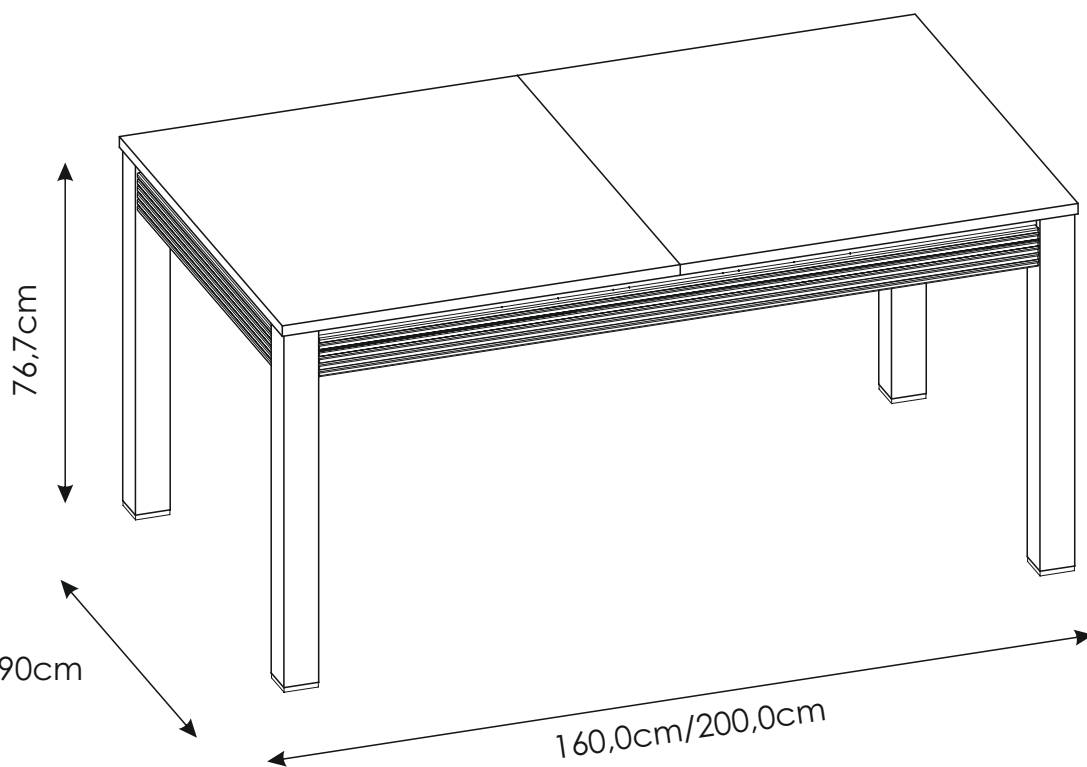
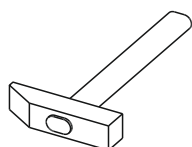
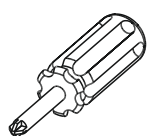
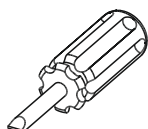
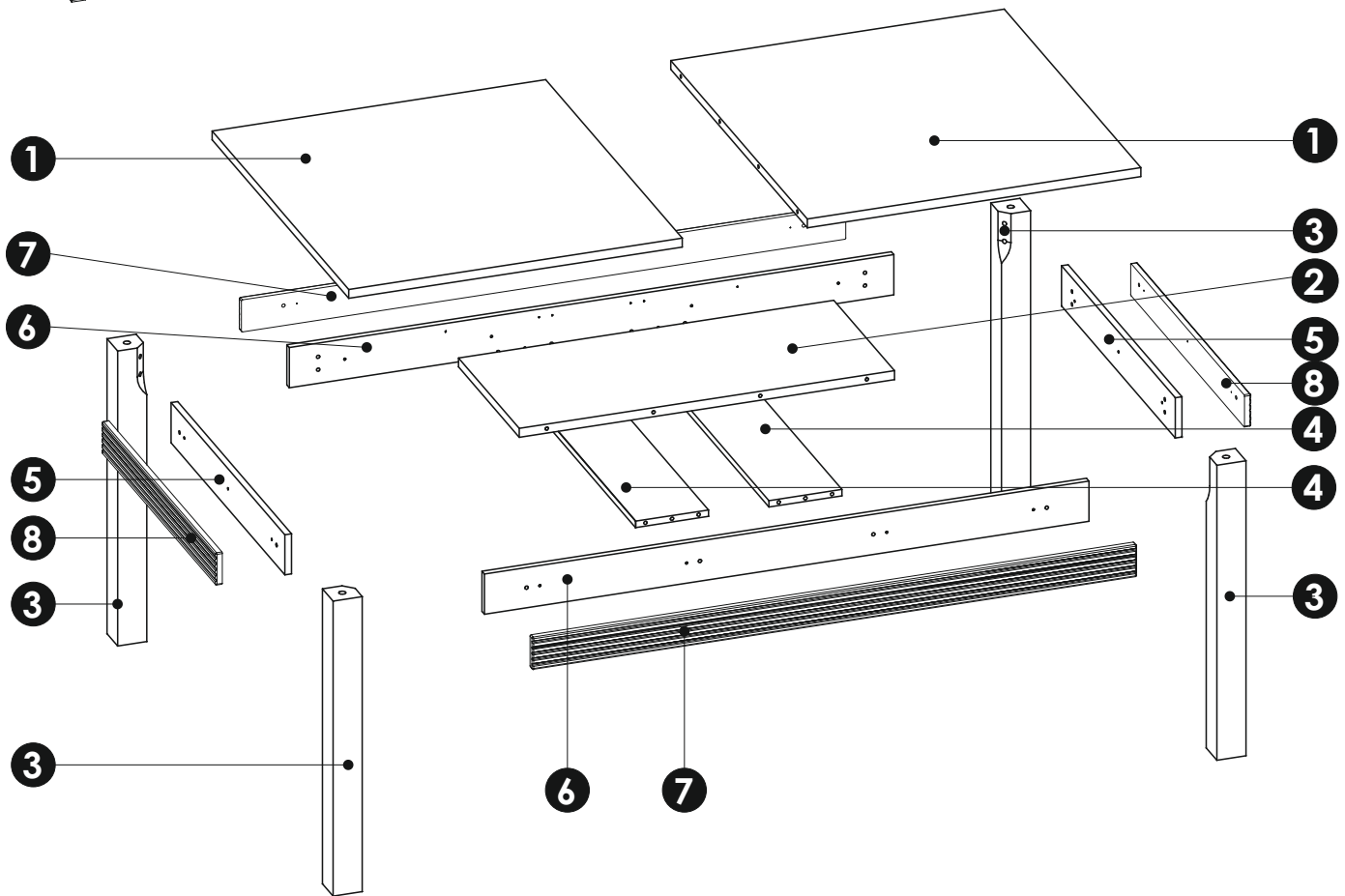
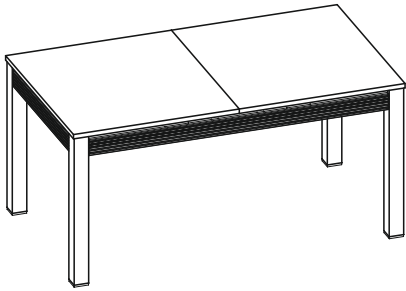


SEVILLA 75





SEVILLA 75




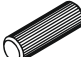


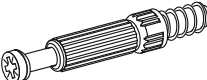

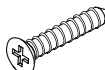
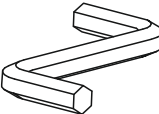
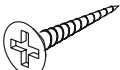
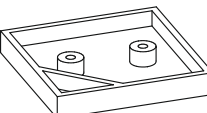
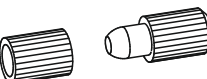

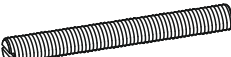


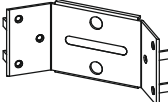
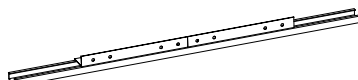
| | | | | | |
|----------|-----|-----|----|----|-----|
| 1 | 900 | 800 | 22 | x2 | 2/2 |
| 2 | 900 | 400 | 22 | x1 | 2/2 |

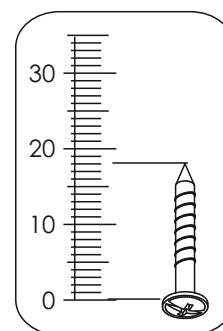
| | | | | | |
|----------|-----|-----|----|----|-----|
| 3 | 734 | 70 | 70 | x4 | 1/2 |
| 4 | 820 | 175 | 16 | x2 | 2/2 |
| 5 | 750 | 100 | 16 | x2 | 1/2 |

| | | | | | |
|----------|------|-----|----|----|-----|
| 6 | 1450 | 100 | 16 | x2 | 1/2 |
| 7 | 1450 | 80 | 16 | x2 | 1/2 |
| 8 | 750 | 80 | 16 | x2 | 1/2 |

SEVILLA 75

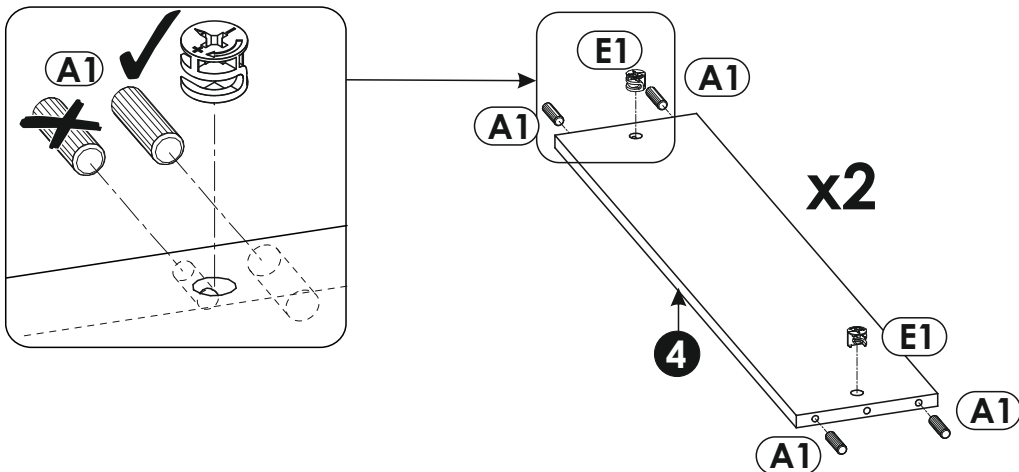
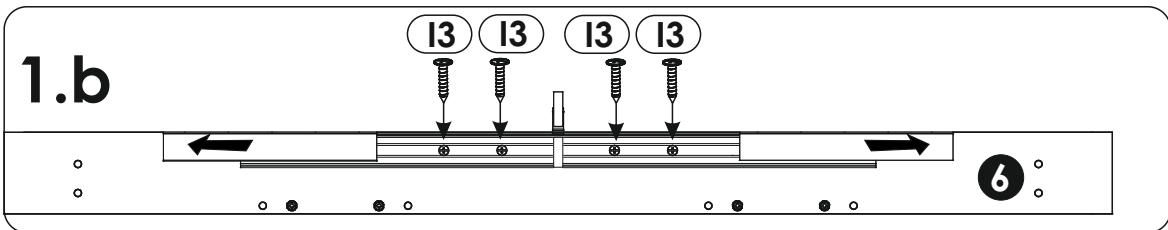
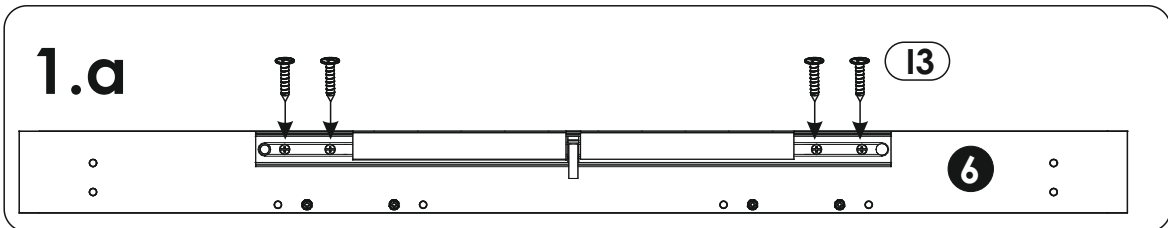
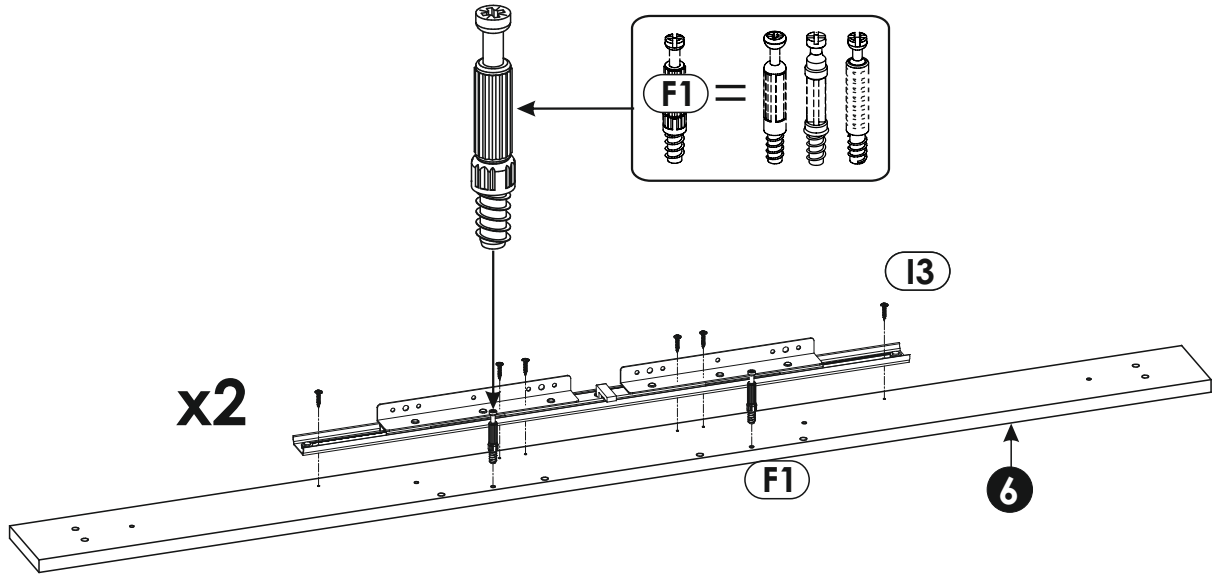
MM

| | | |
|--|---|--|
| A0 8 x 24 mm x12  | A1 8 x 35 mm x8  | E1 15 x 12 mm x4  |
| E0  x4 | F1 6 x 34 mm x4  | I1 4 x 20 mm x40  |
| J2 4 x 25 mm x14  | M  x1 | N2 3,5 X 16 mm x24  |
| O14  x4 | R8  x8 | S13  x4 |
| S14 M10x90 x8  | S15 M10 x8  | S16  x4 |
| S17  x4 | T10 L-750 x2  | |

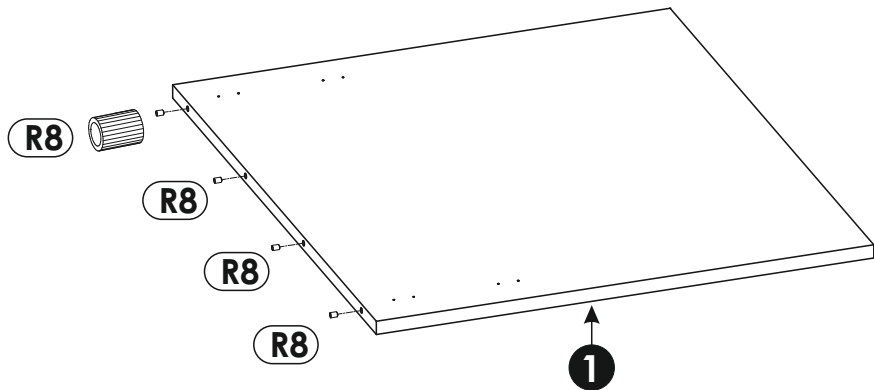
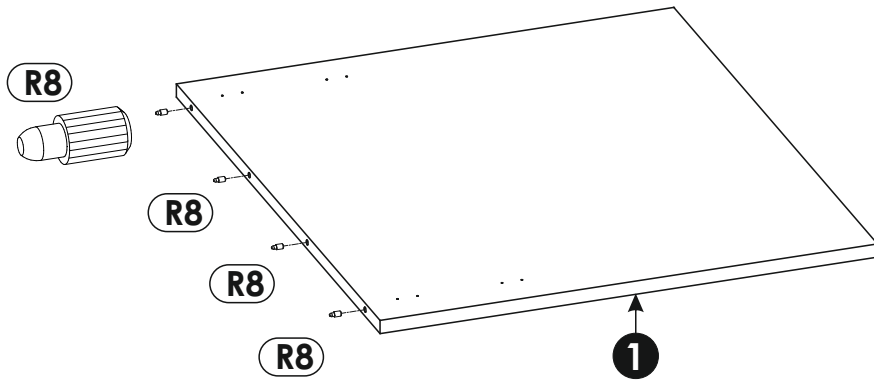
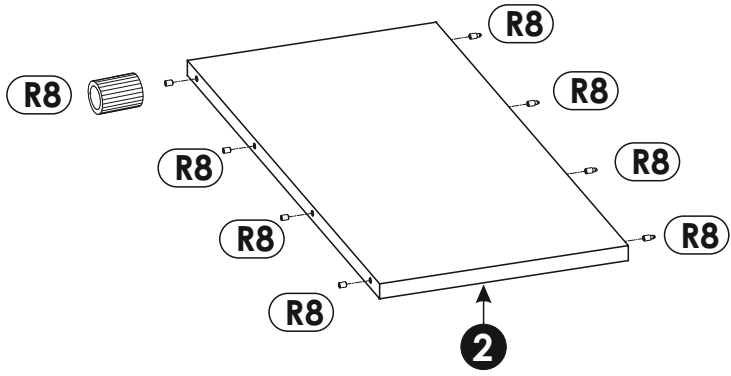




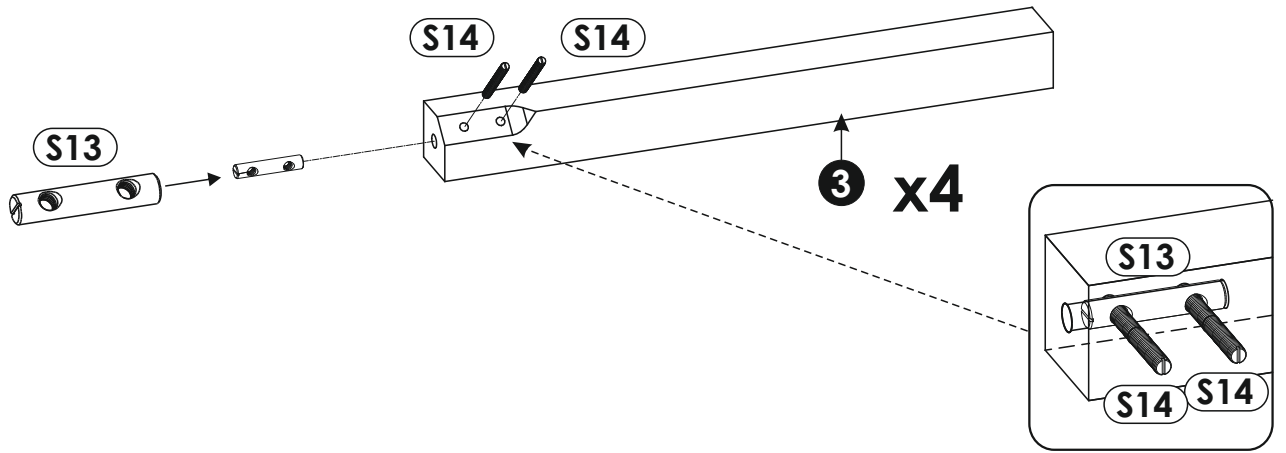
1 ▶



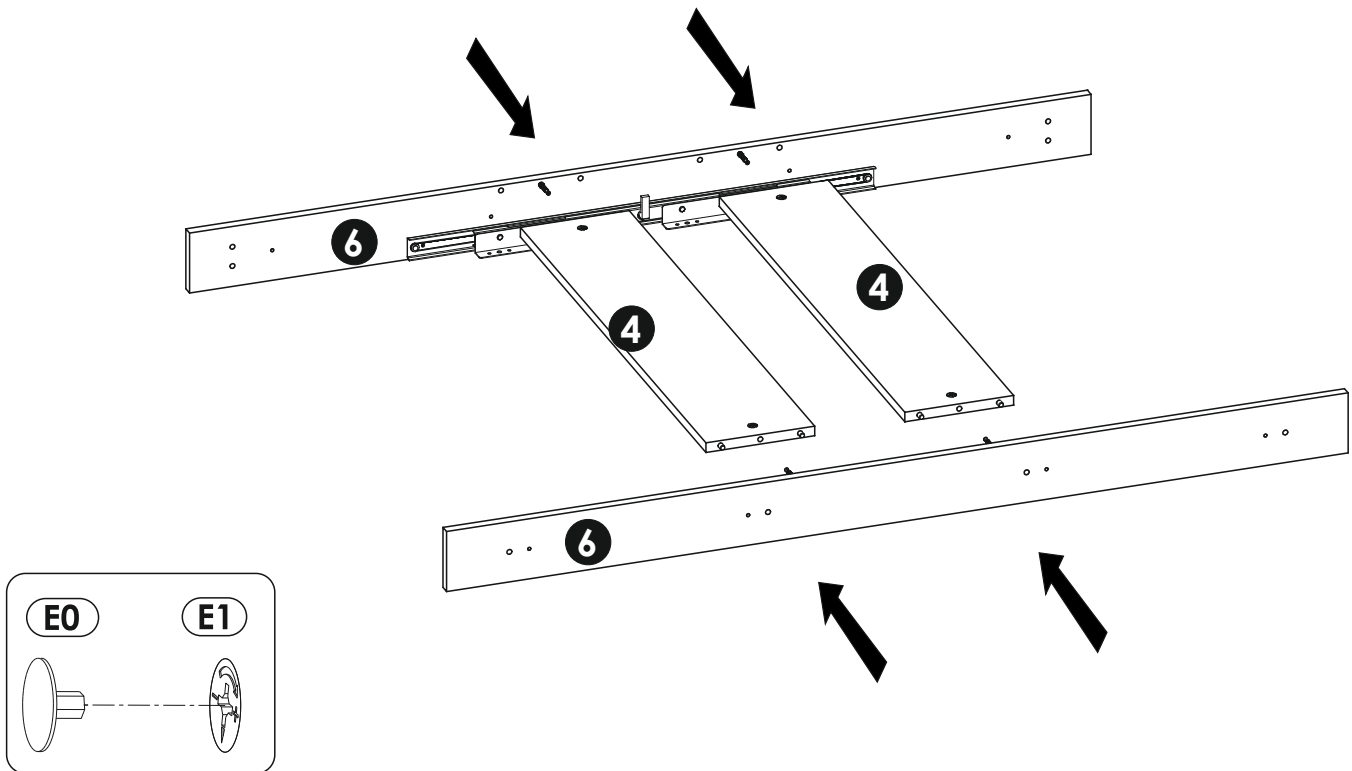
2 ▶



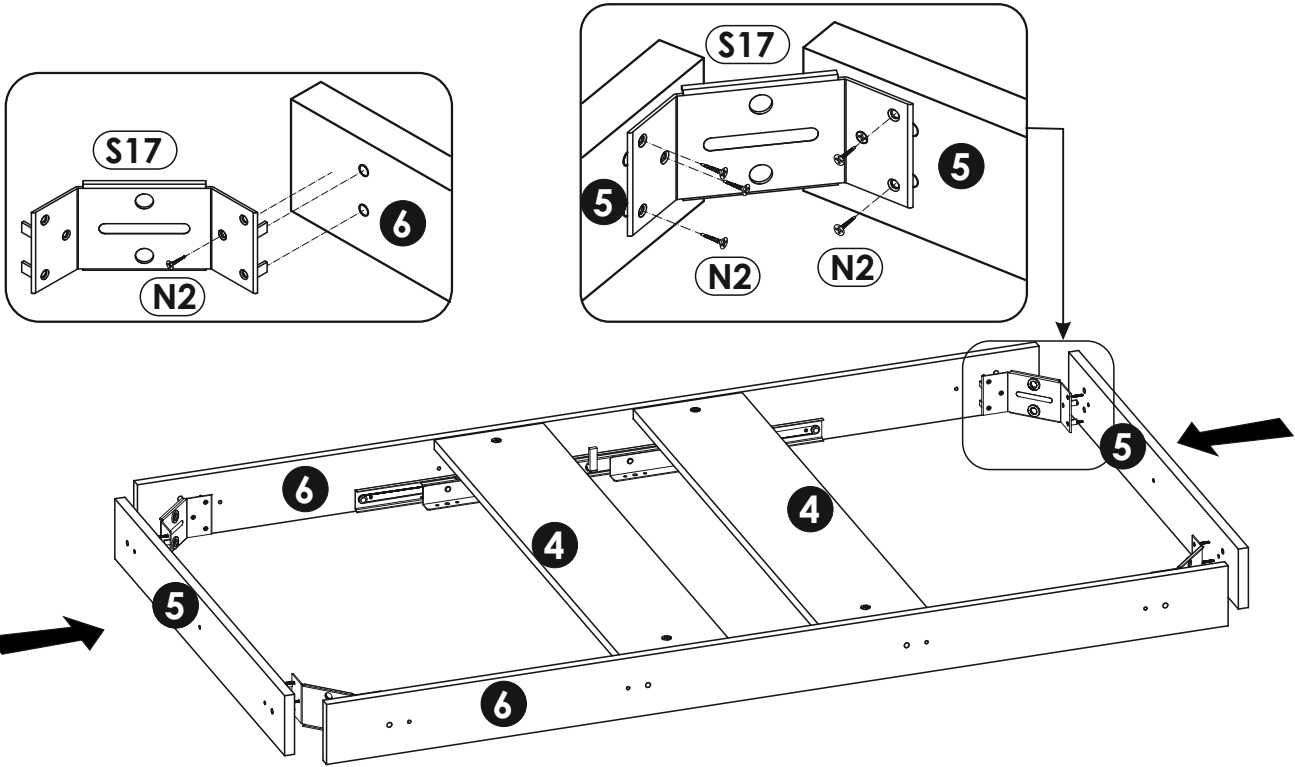
3 ▶



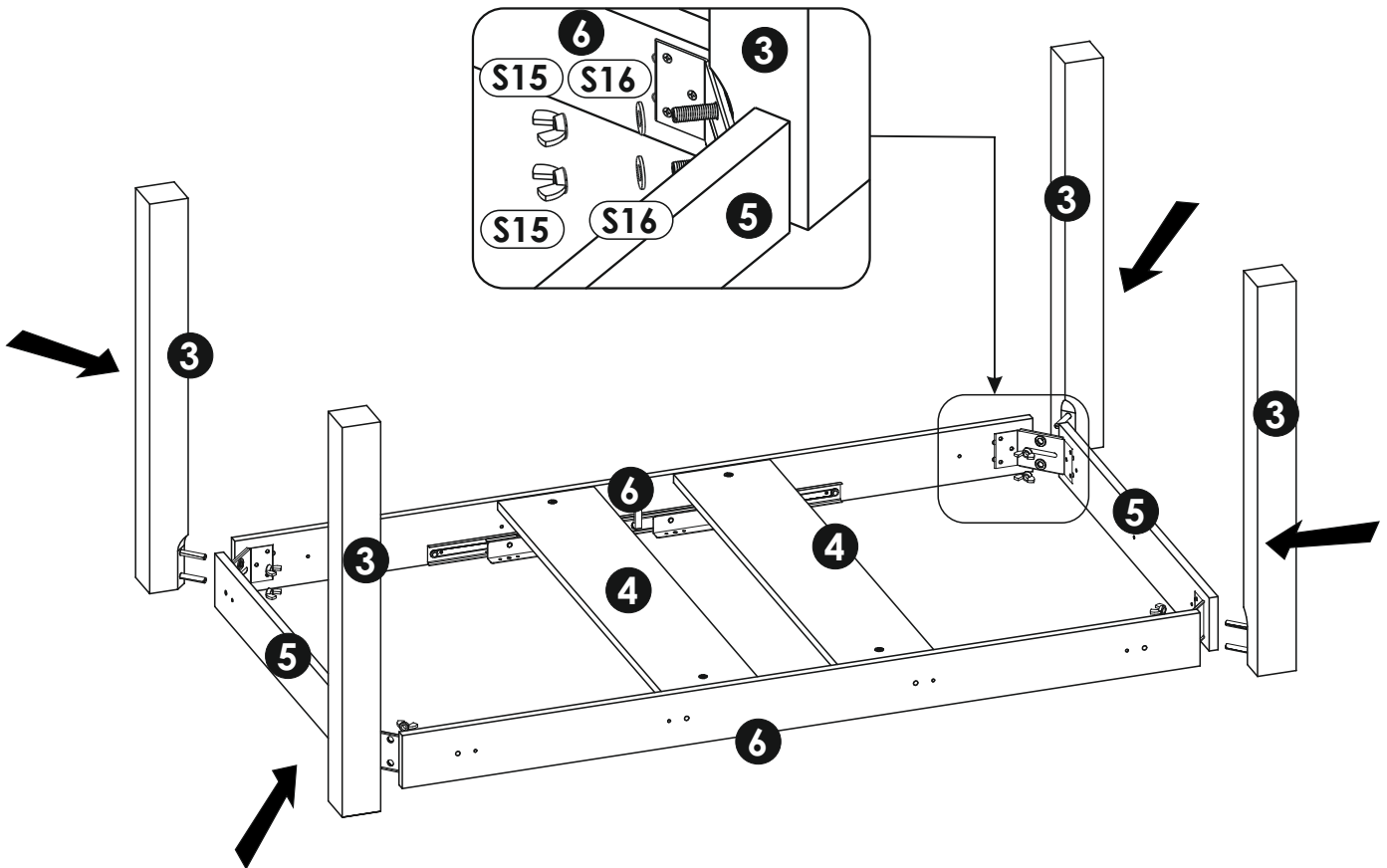
4 ▶



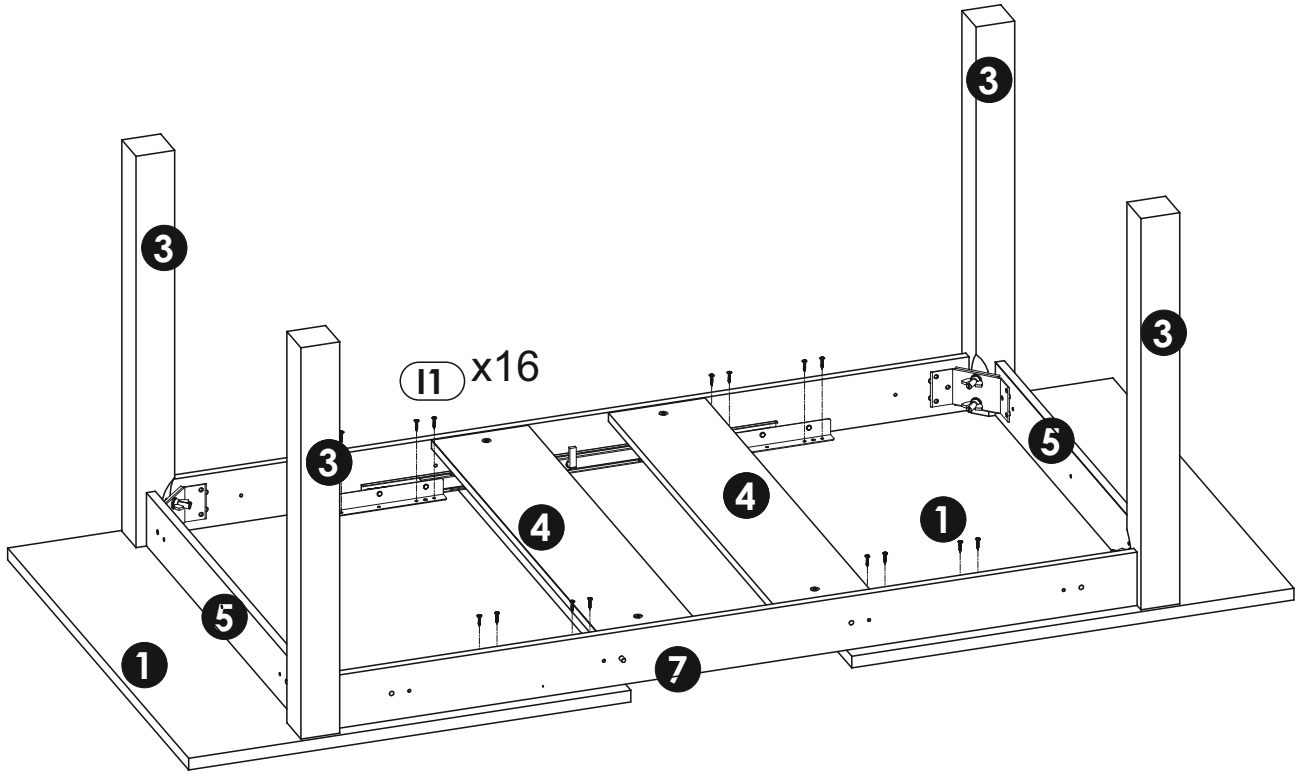
5 ▶



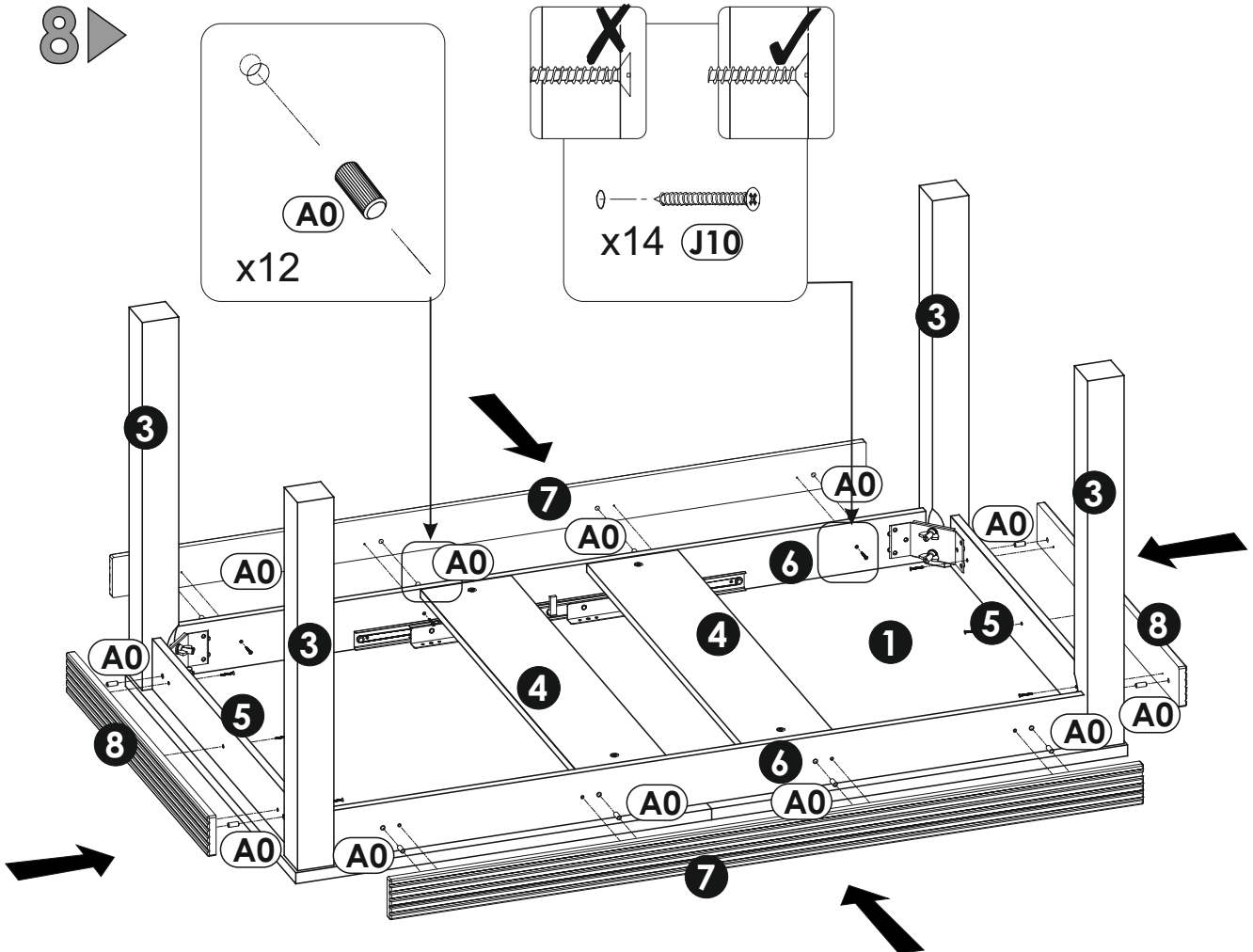
6 ▶



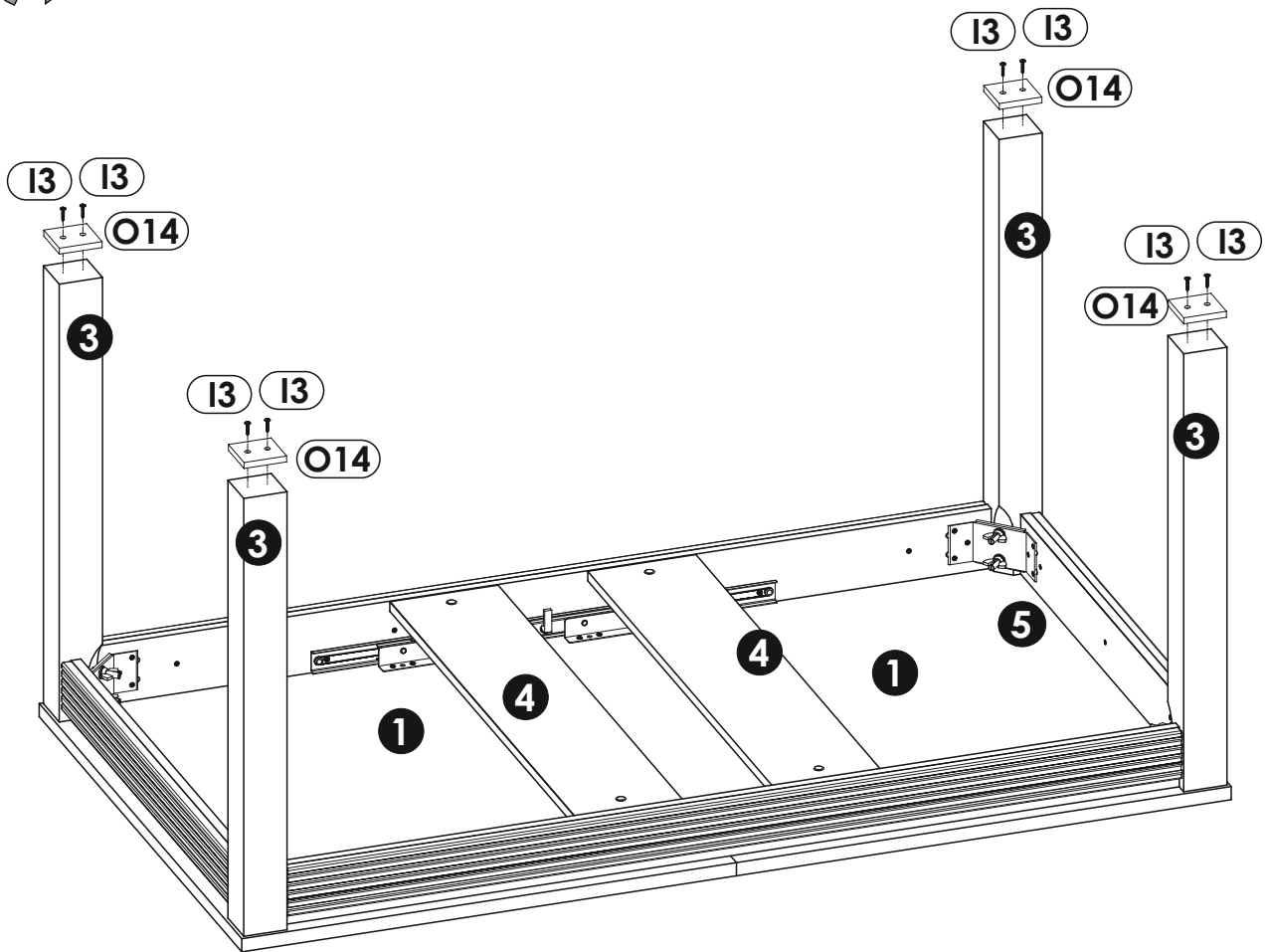
7 ▶



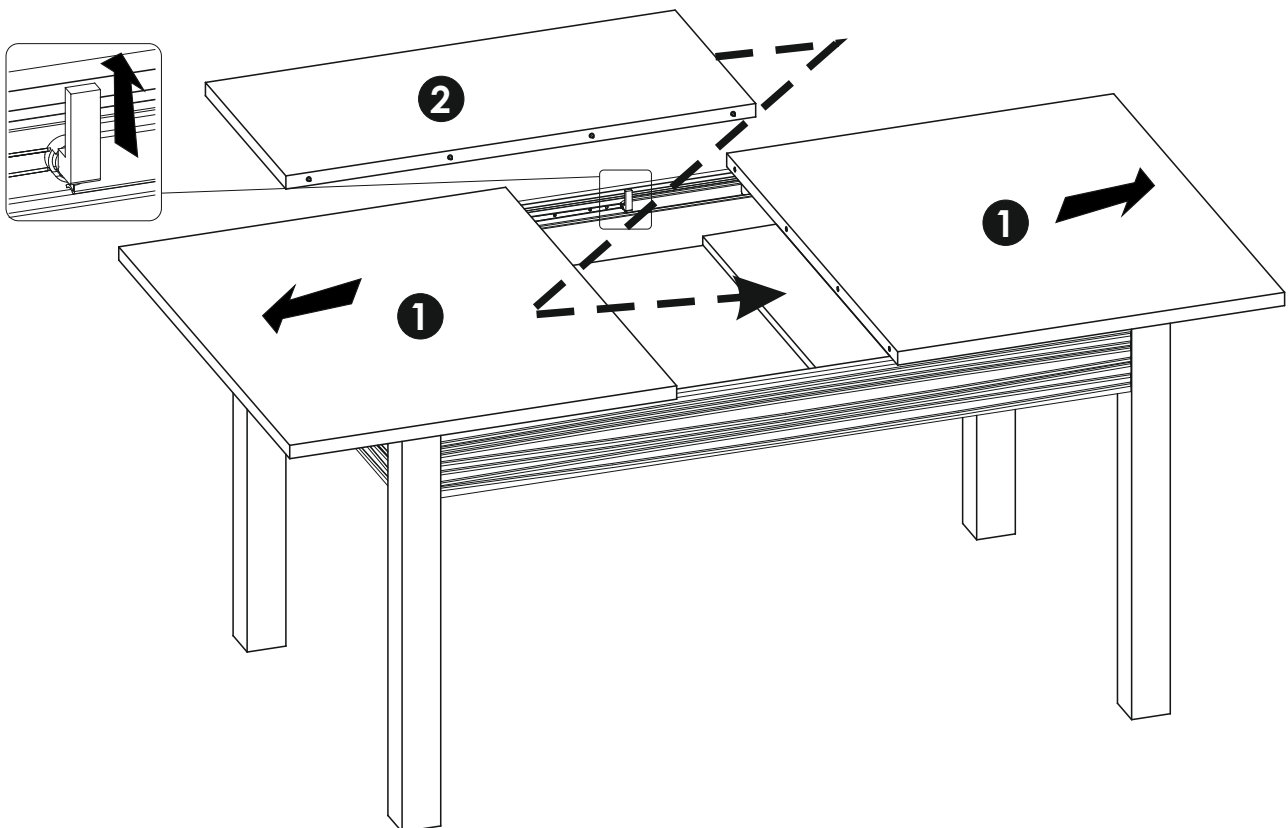
8 ▶



9 ▶



10 ▶



 max.
20 kg

