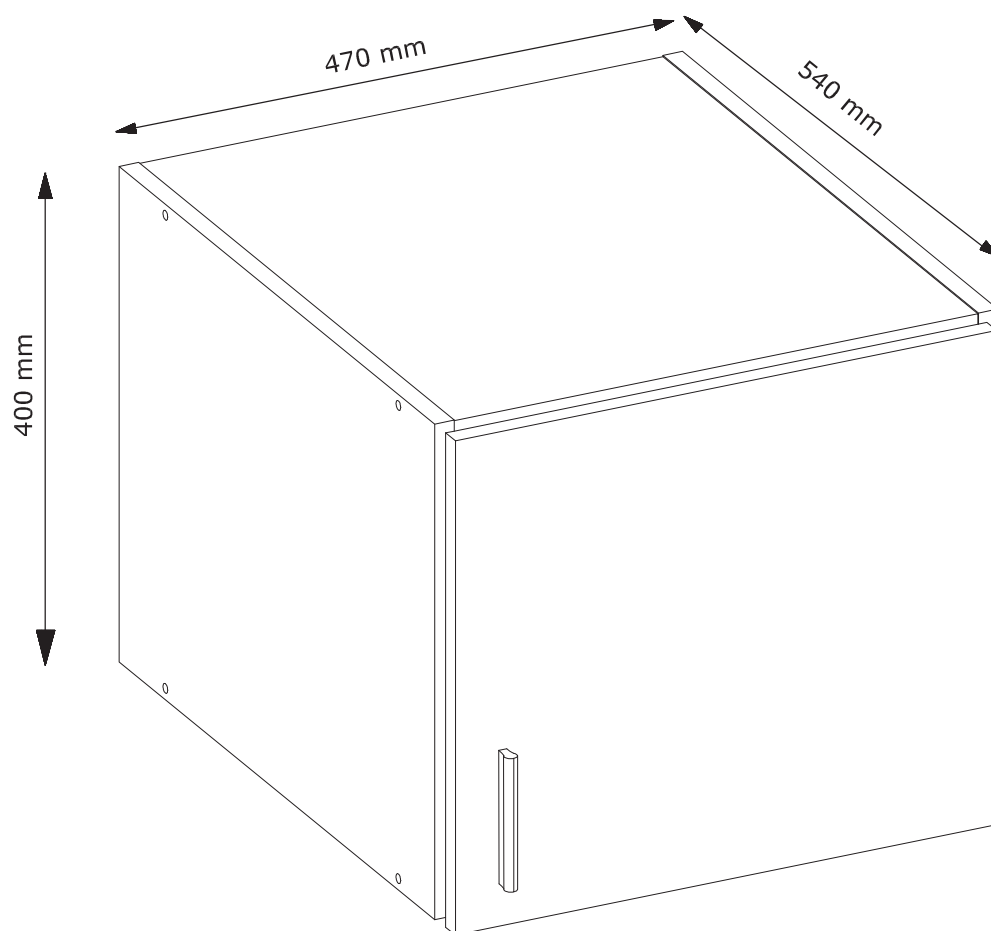
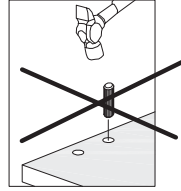
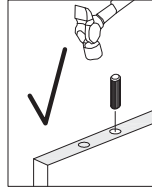
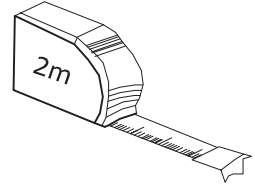
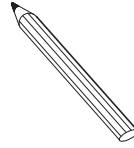
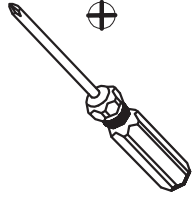
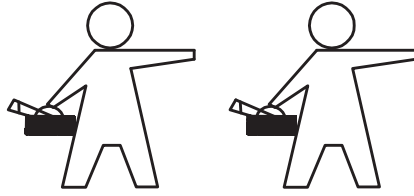
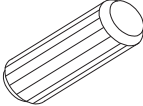
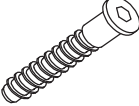
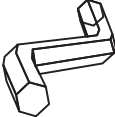

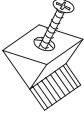



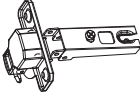
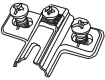


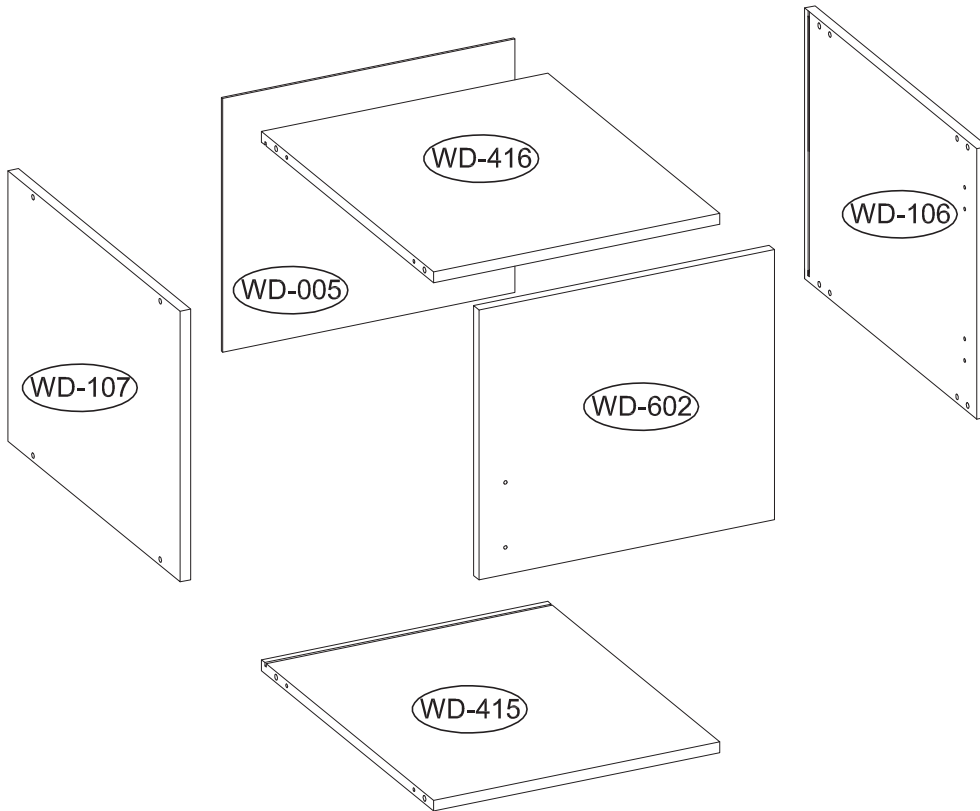
SNOW

01 A

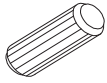




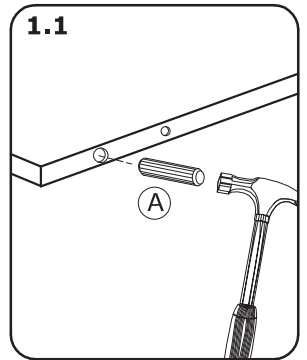
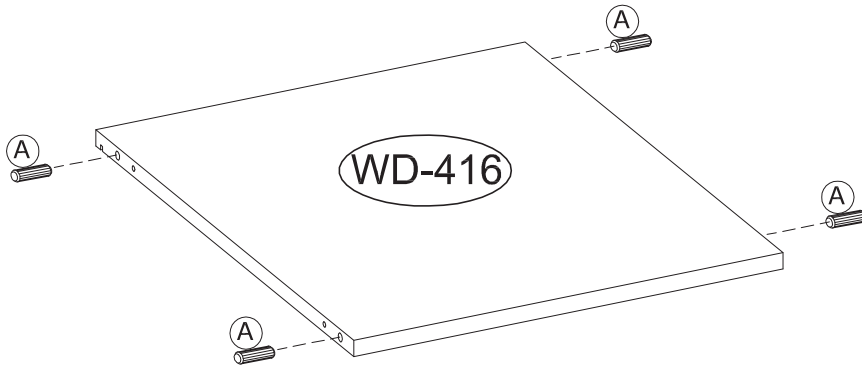
 Ø8x30mm Ax10	 Ø6,4x50mm T-8	 4,0 mm V1-1	 C-8
 Ox8	 Ø3.5x16mm Hx4	 Ø4,0x25mm Rx2	 Lx1
 Z1x2	 Z2x2		



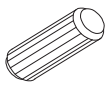
1



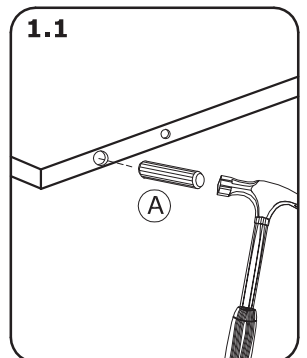
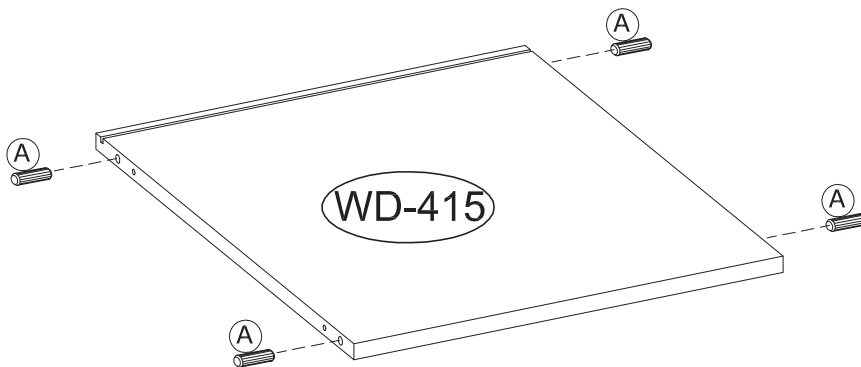
Ax4



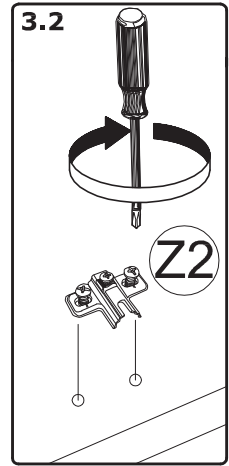
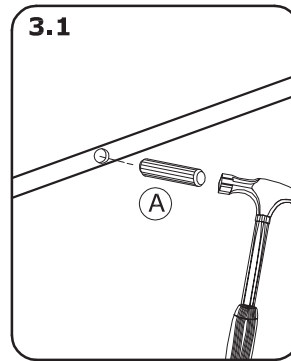
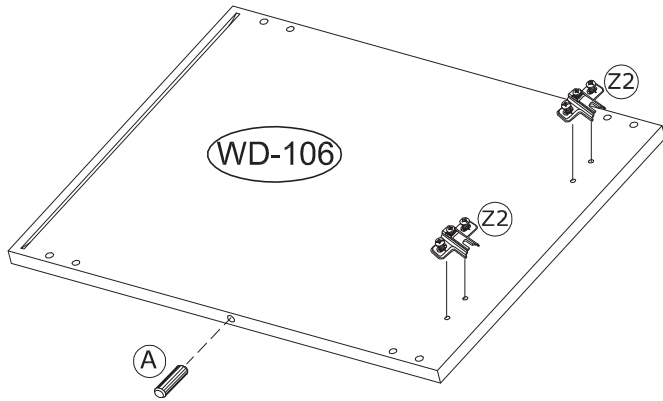
2



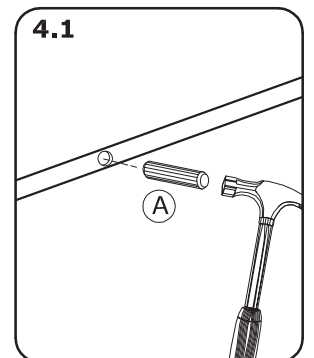
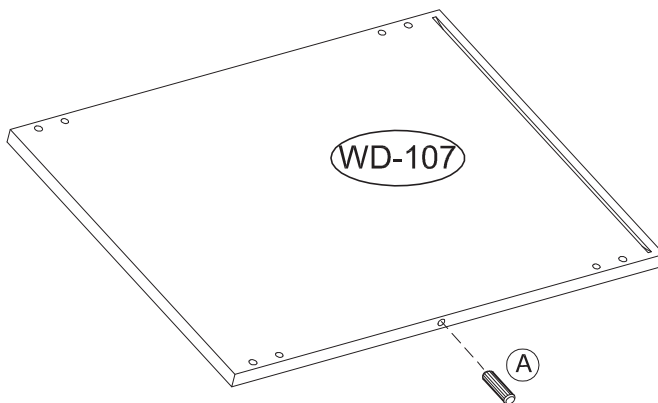
Ax4



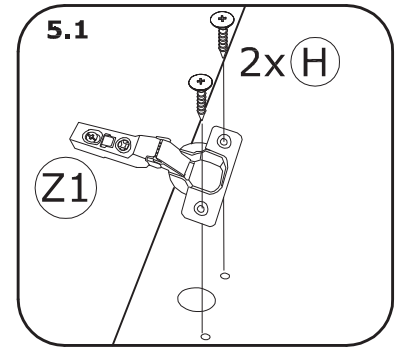
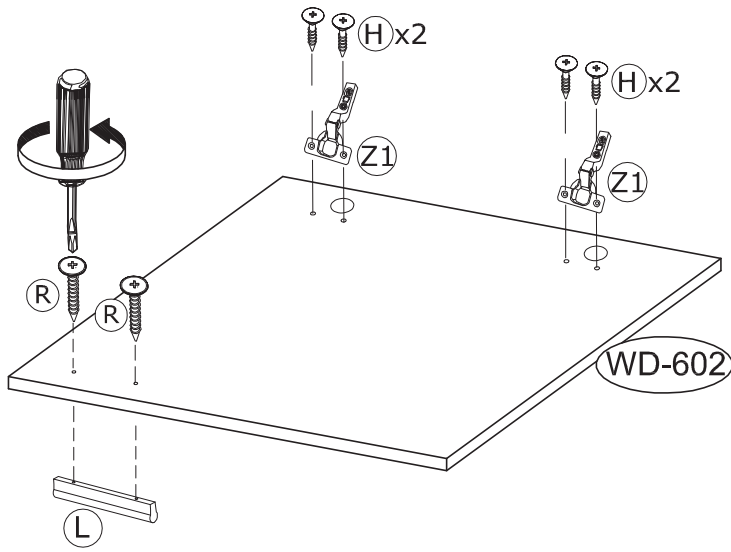
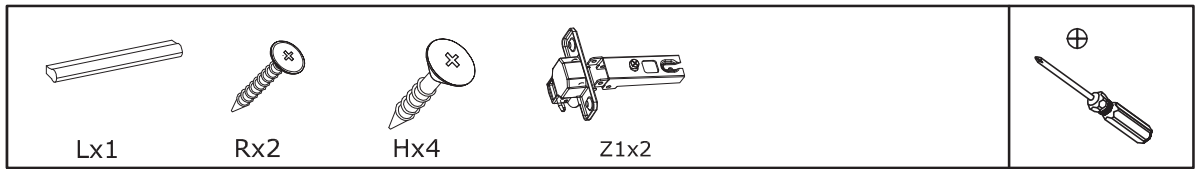
3



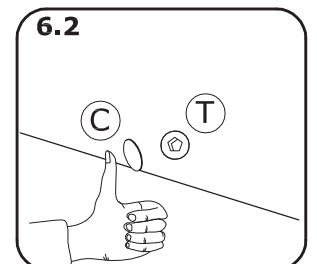
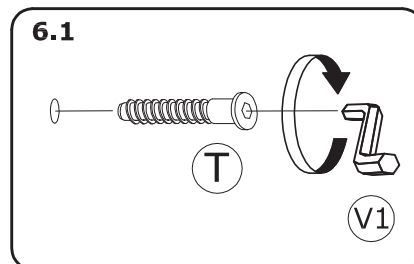
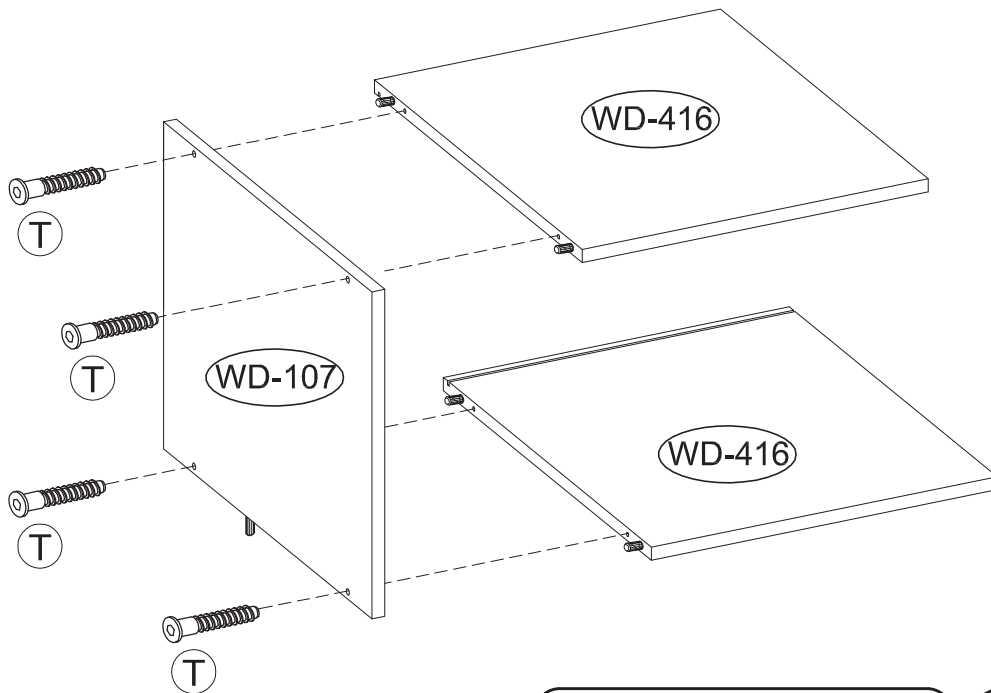
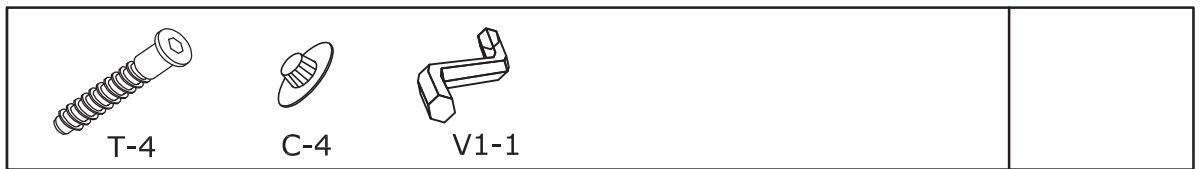
4



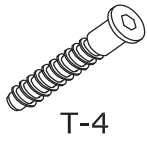
5



6



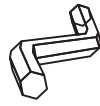
7



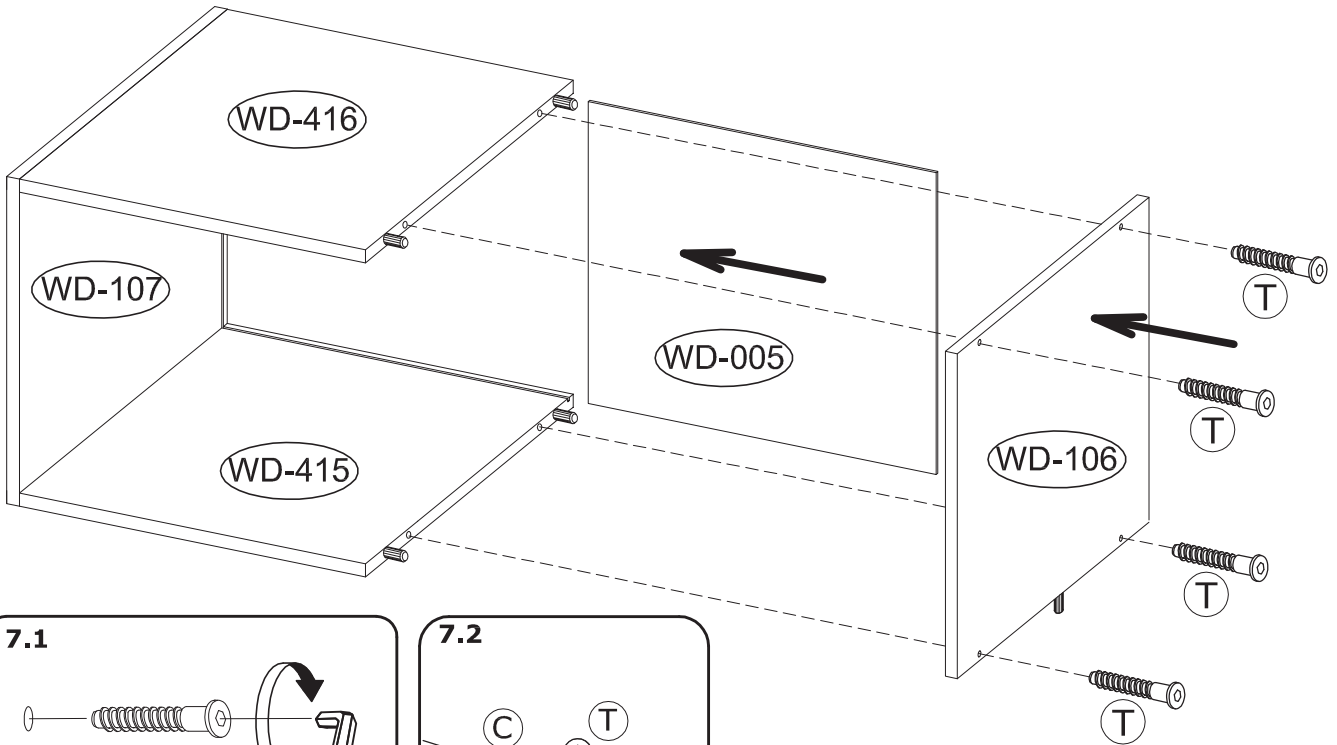
T-4



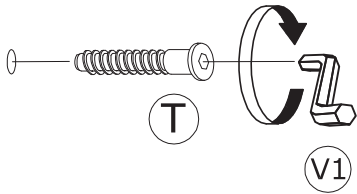
C-4



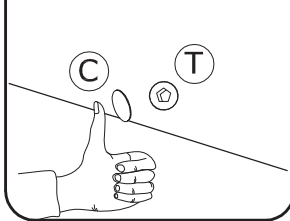
V1-1



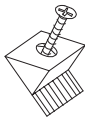
7.1



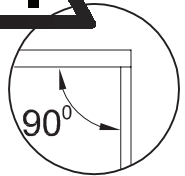
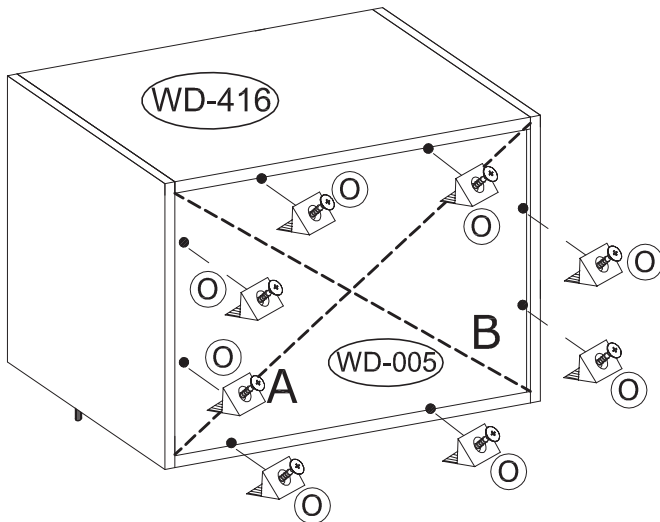
7.2



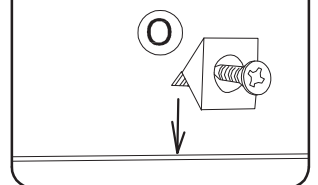
8



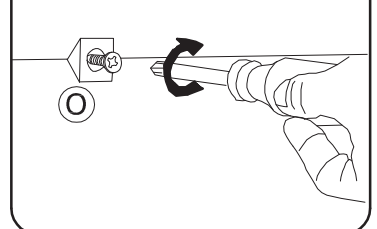
Ox8



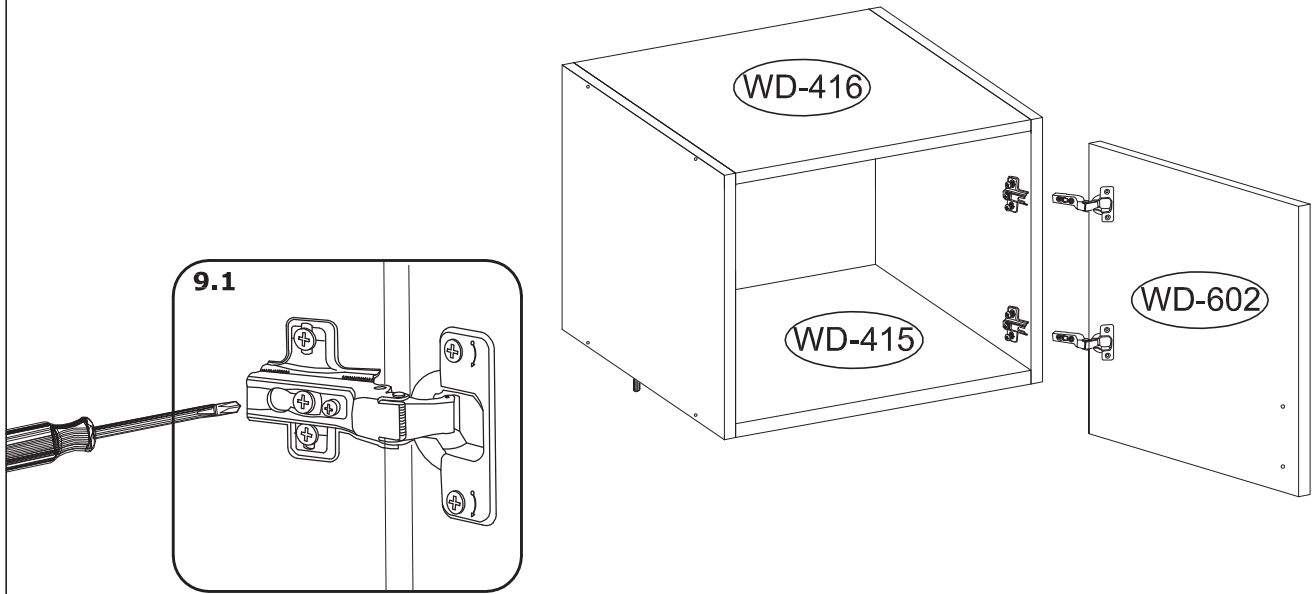
8.1



8.2



9



10

