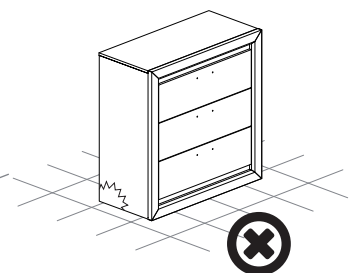
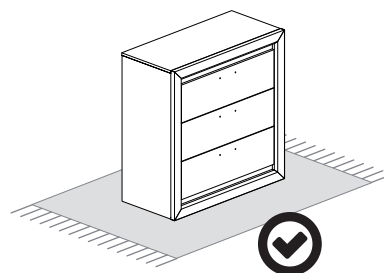
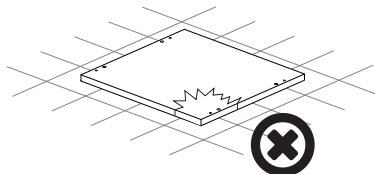
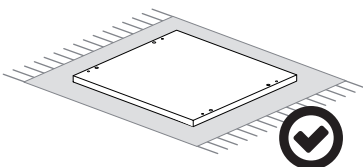
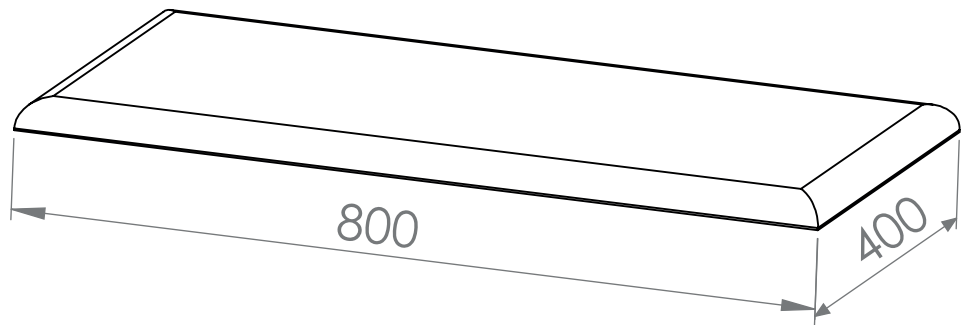
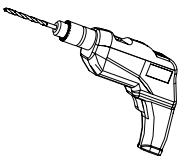
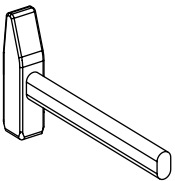
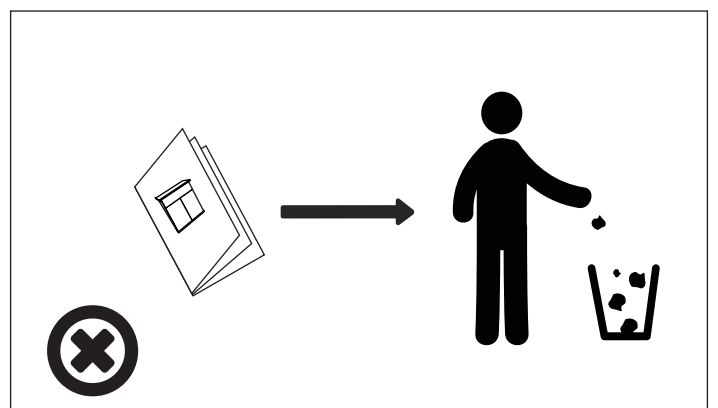
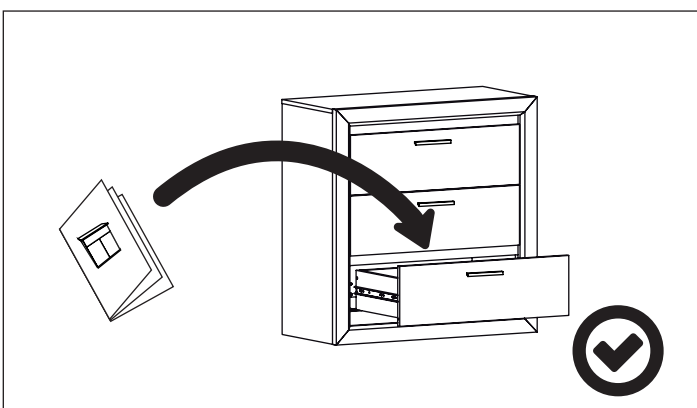
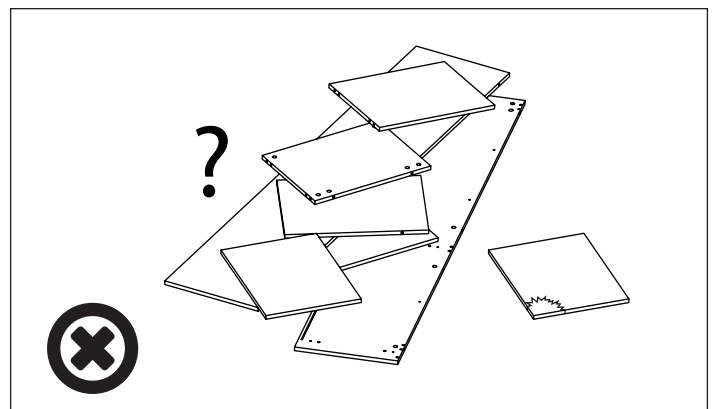
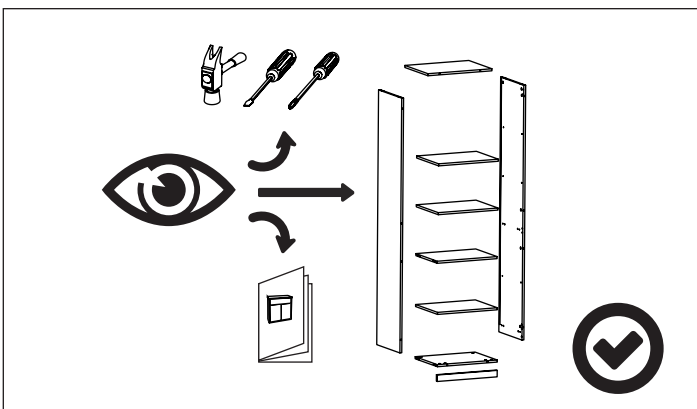
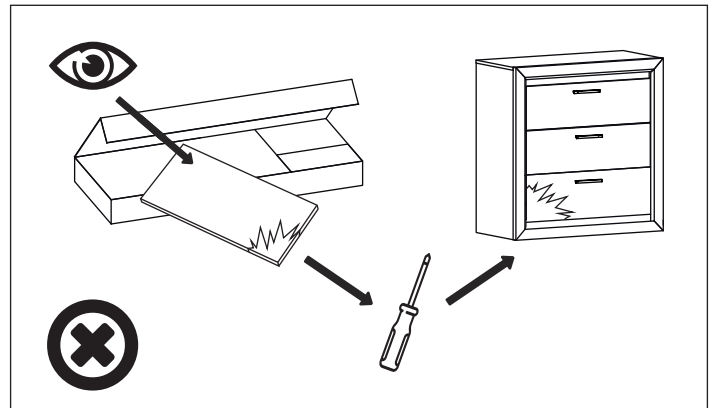
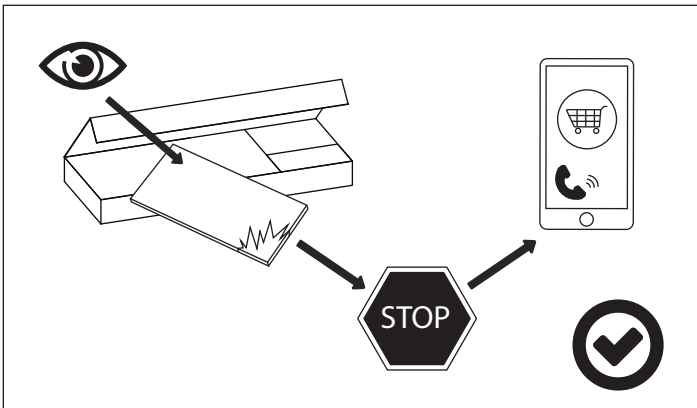
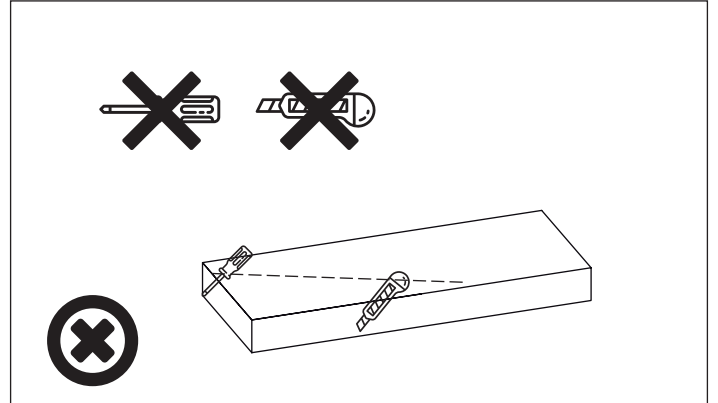
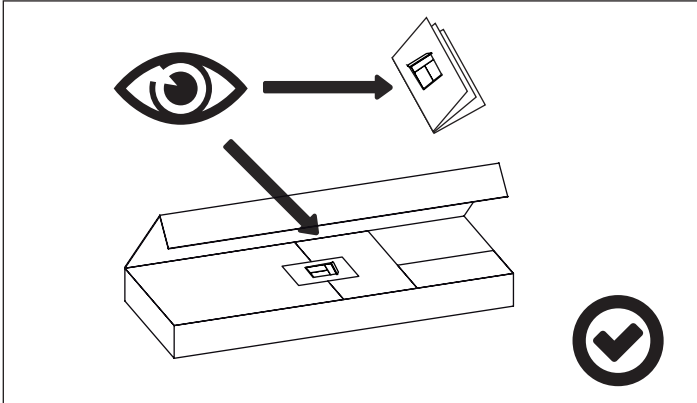
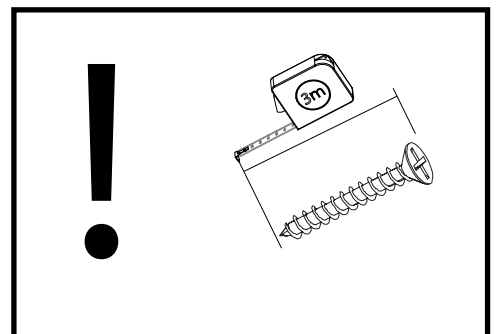
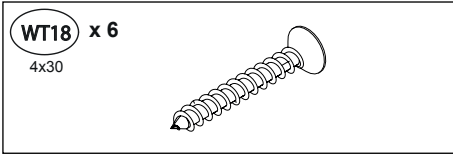


# SDZ 02-01


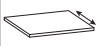




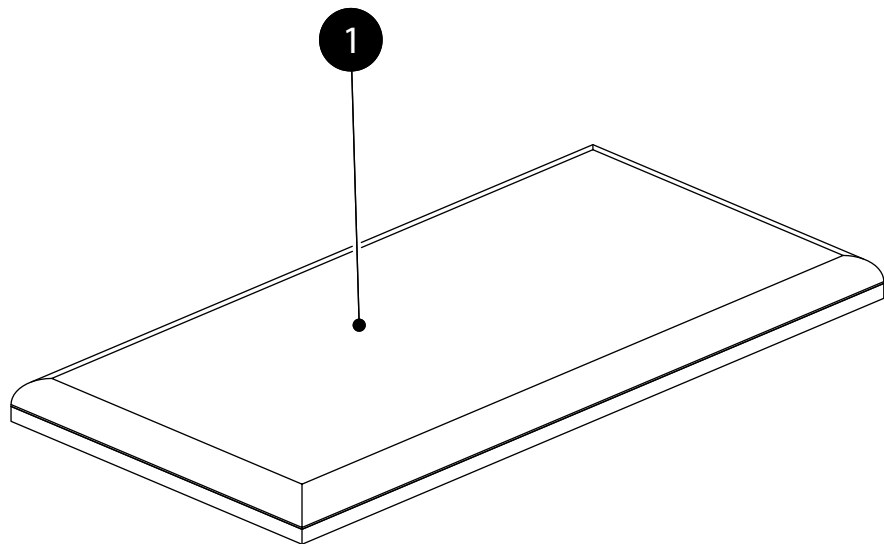


# SDZ 02-01

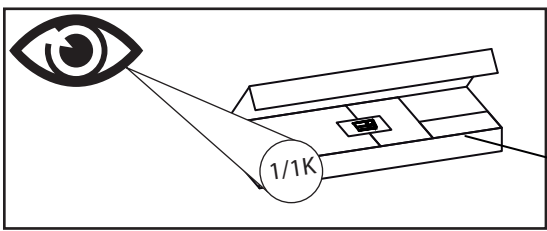


# SDZ 02-01

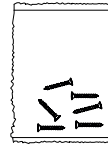
	CODE				
①	SDZ02_01	800	400	1	1/1



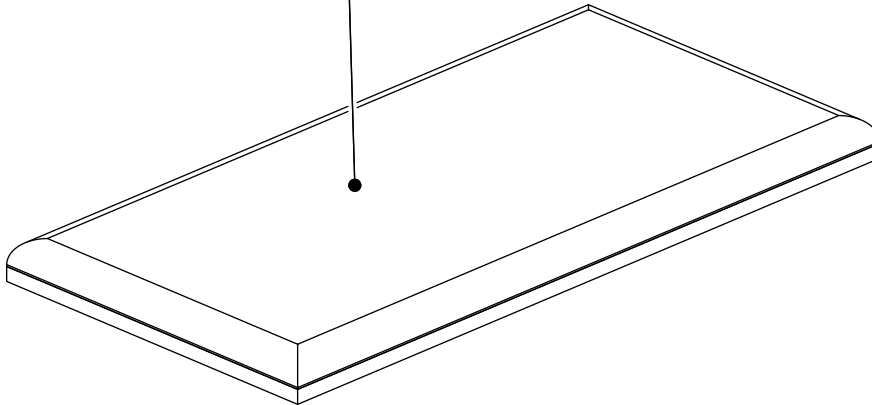
1.



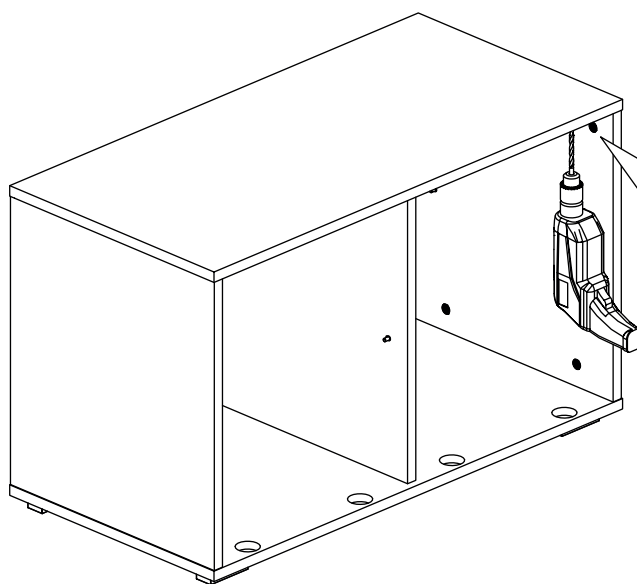
x1



1



2.



6x

3.

